

ASSEMBLY INSTRUCTION

We believe you will absolutely love your new furniture. Please immediately examine this product carefully.

Any request for missing part or damage replacement must be received within 90 days of your receipt of the product. For some reason you want to return the product, please contact us directly before you decide to return your product to the retailer. Our can answer most concerns and can assist you with any questions you may have about your new product.

Have these ready when you email:

•**Item Number**

•**PO #**

•**Purchaser Name**

•**Proof of Purchase**

•**Description of the problem and/or the Part Number needed**

Replacements for missing or damaged parts or hardware are normally shipped within 3 to 5 business days and we thank you for your patient.

The item must be returned in good condition, in original box, with all original proof of purchase, parts and accessories, within the time frame specified by the retailer it was purchased from.

90-Day Limited Warranty Statement for Manufacturing Defects

Please read this Limited Warranty carefully. To maintain your Warranty, you will need to comply with the conditions stated here.

This warranty is for manufacturing defects only and does not cover damages as a result of misuse.

1. Our products sold comply with the description contained in this Warranty. All parts and products are warranted 90-Day from the original date of delivery except: parts and products used for commercial, contract, rental trade, institutional, or any other non-residential purposes; parts and products that have not been maintained in accordance with the care recommendations provided; parts and products damaged resulting from the consumer's improper assembly; or parts and products that are damaged or defective due to normal wear and tear.




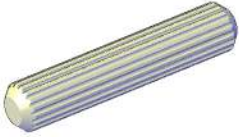
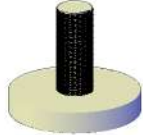





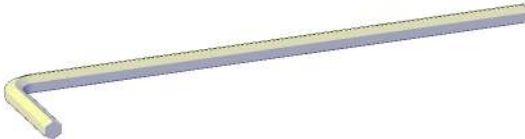
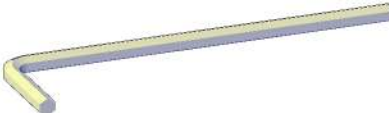
2. To exercise rights under this warranty, proper documentation, i.e., photography, purchase order number, manufacturer's bar code label, and or any other pertinent information upon request is required. We reserve the right to repair or replace the product within the warranty period based upon the documentation received as support of a claim for consideration. We will not replace or repair any product if improper maintenance, improper handling, or improper use caused the damage. Any product sold from or modified by a Non-Authorized Dealer, Seller or Consumer will void the Warranty.

3. Cost of packaging and shipping to and from us is not covered by the warranty unless expressly arranged by us. This warranty does not extend to furniture that has been exchanged or replaced by us as settlement of an original claim of defective merchandise. This warranty does not extend to furniture that has been moved from delivery location on original purchase order.

We appreciate your business!


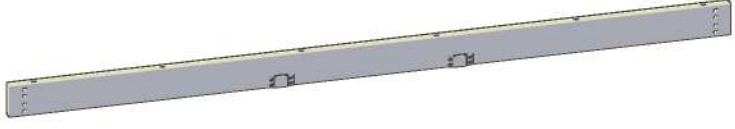
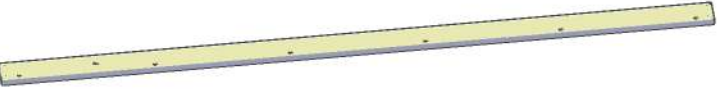

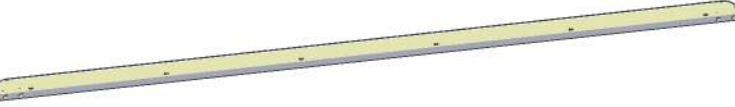






ASSEMBLY INSTRUCTION

HARDWARES LIST

ITEM	DESCRIPTION	DRAWING	QTY
A	JCBC SCREW M6 x 50 MM		32 PCS
B	JCBC SCREW M6 x 35 MM		10 PCS
C	JCBB SCREW M8 x 60 MM		16 PCS
D	WOOD DOWEL 10 x 30 MM		16 PCS
E	SUPPORT LEG ADJUSTABLE FEET		6 PCS
F	CSK SCREW M4 x 25MM		8 PCS
G	CSK SCREW M4 x 32MM		34 PCS
H	M6 x 19 MM FLAT WASHER		18 PCS
I	M6 X 12 MM SPRING WASHER		18 PCS
J	JCBCW M6 x 40 MM		2 PCS
K	M4 ALLEN KEY		1 PC
L	M5 ALLEN KEY		1 PC




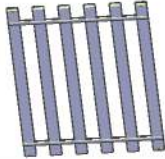
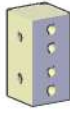
ASSEMBLY INSTRUCTION

PARTS LIST

ITEM	DESCRIPTION	DRAWING	QTY
1	SIDE RAIL		2 PCS
2	HEADBOARD & FOOTBOARD SUPPORT		2 PCS
3	CROSS LEFT		1 PC
4	CROSS RIGHT		1 PC
5	FOOTBOARD		1 PC
6	ROUND ROD		2 PCS
7	HEADBOARD TOP		1 PC
8	HEADBOARD ROUND ROD		17 PCS
9	HEADBOARD BOTTOM		1 PC
10	SIDE RAIL SUPPORT		2 PCS
11	LEG (i)		2 PCS

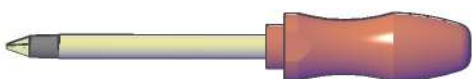
ASSEMBLY INSTRUCTION

PARTS LIST

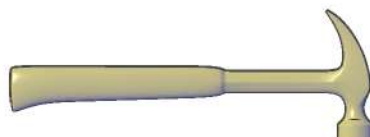
ITEM	DESCRIPTION	DRAWING	QTY
12	LEG (ii)		2 PCS
13	CENTER SUPPORT		2 PCS
14	SUPPORT LEG		6 PCS
15	SLAT		2 SET
16	CONNECT SUPPORT		4 PCS

ASSEMBLY TOOLS REQUIRED

1. SCREWDRIVER (NOT PROVIDE)

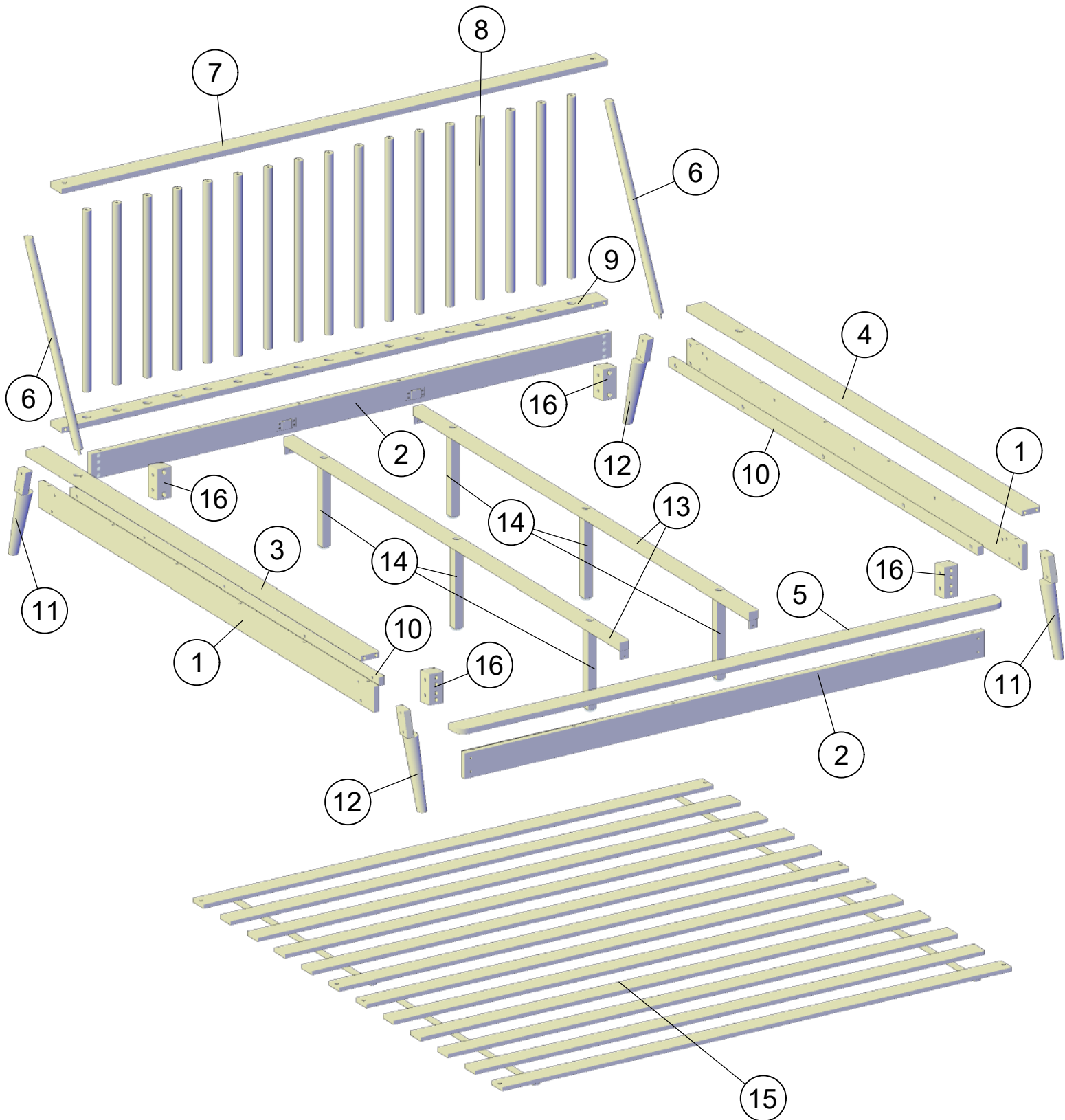


2. HAMMER (NOT PROVIDE)



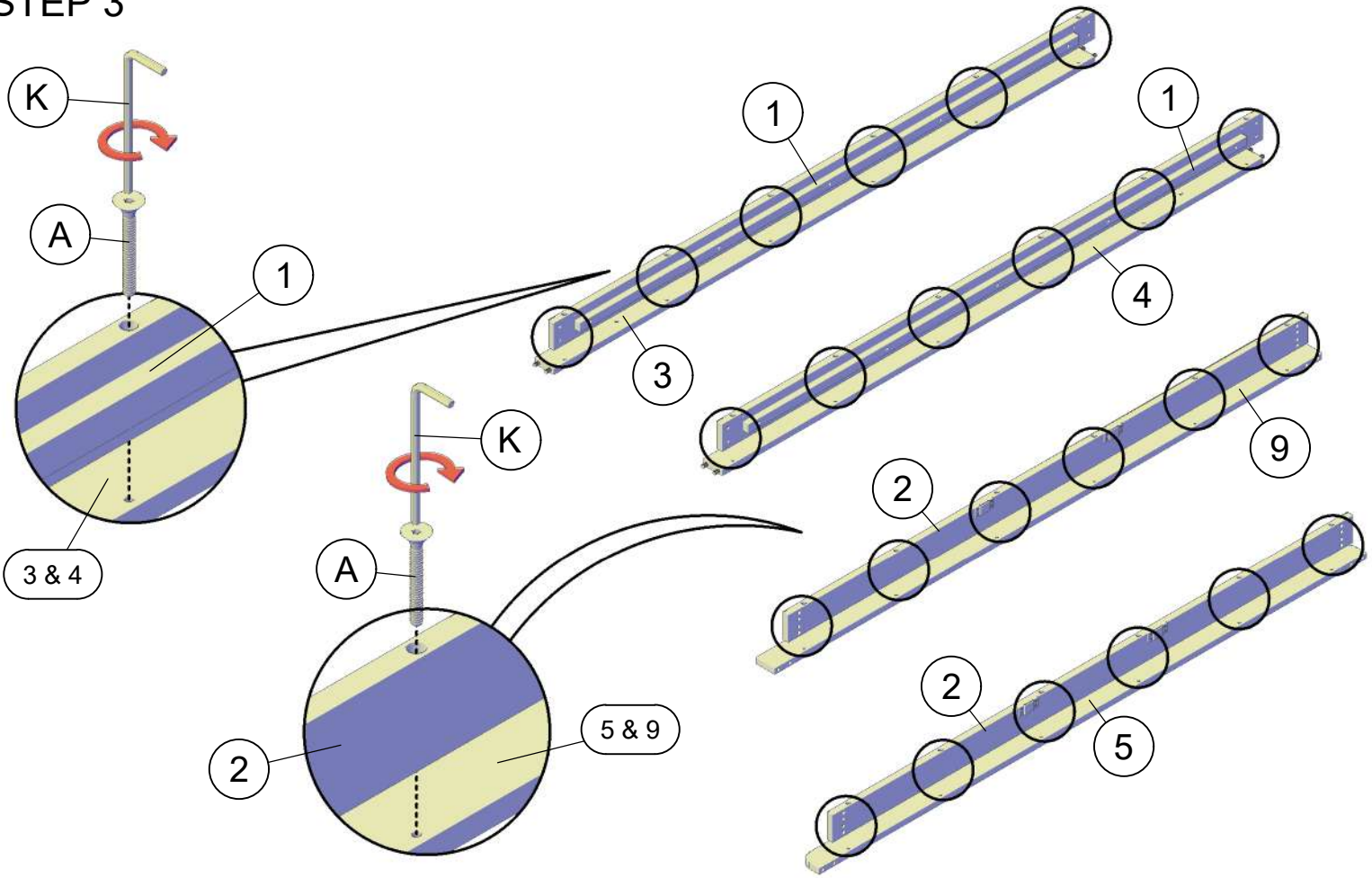
ASSEMBLY INSTRUCTION

PARTS LOCATION

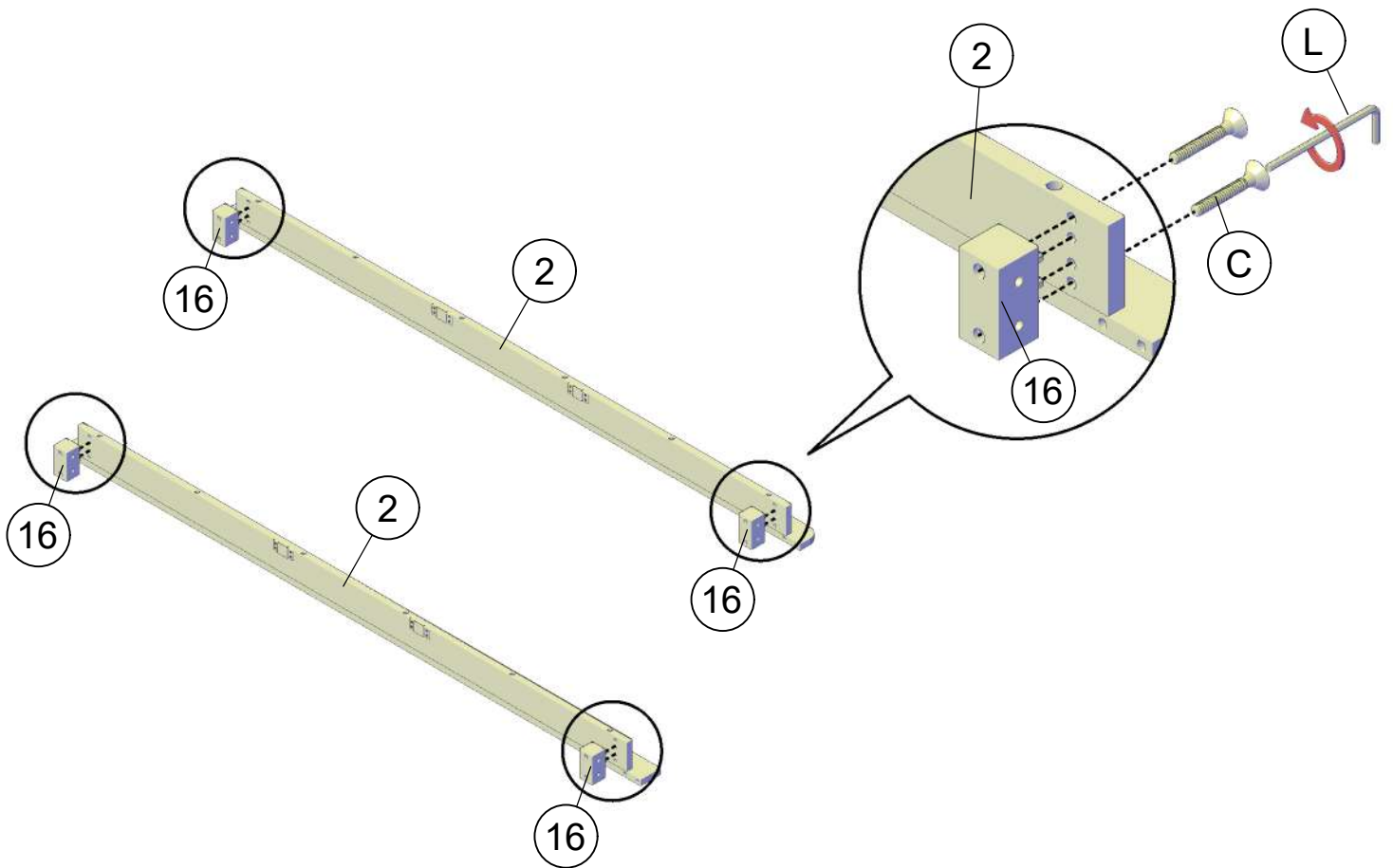


ASSEMBLY INSTRUCTION

STEP 3

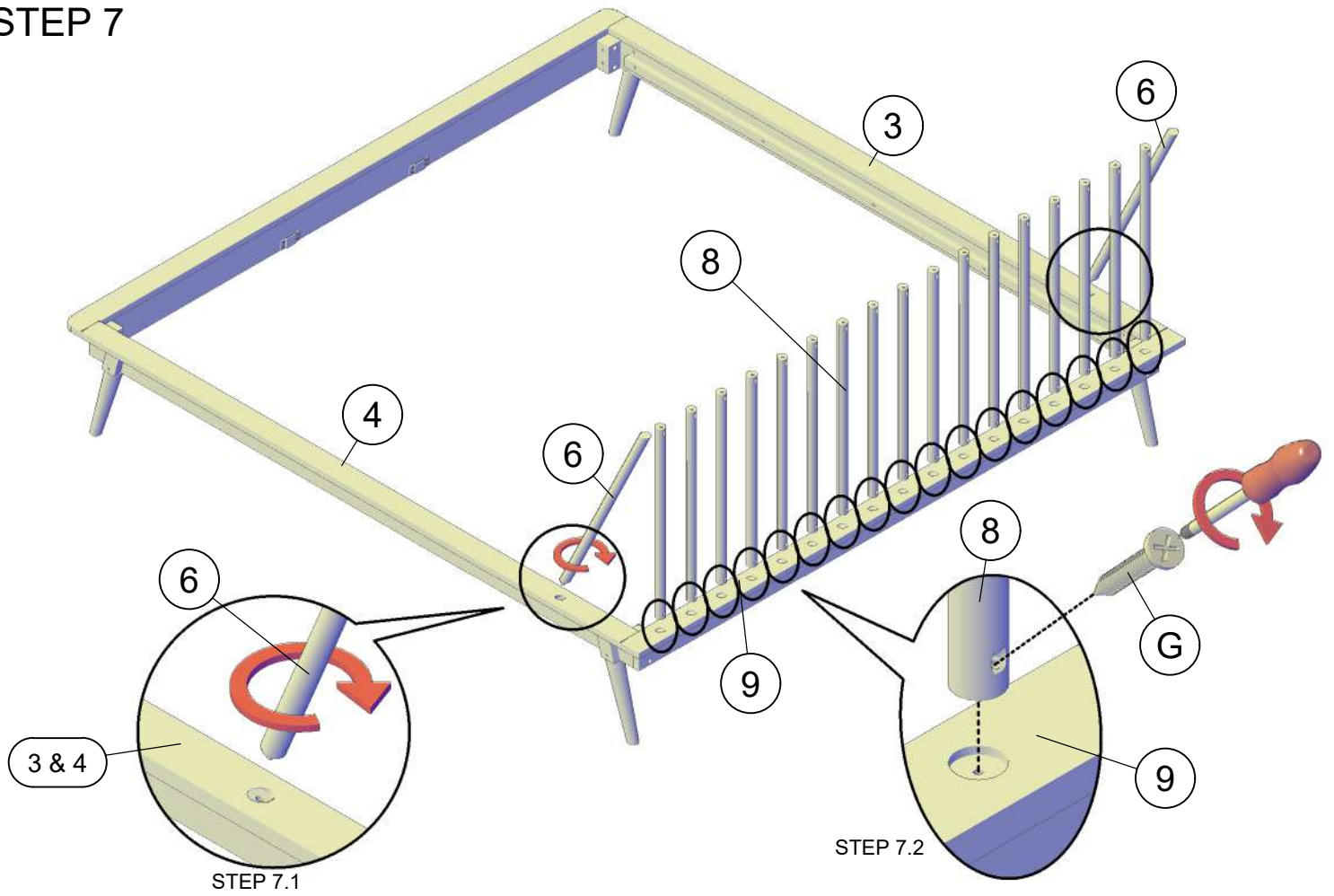


STEP 4

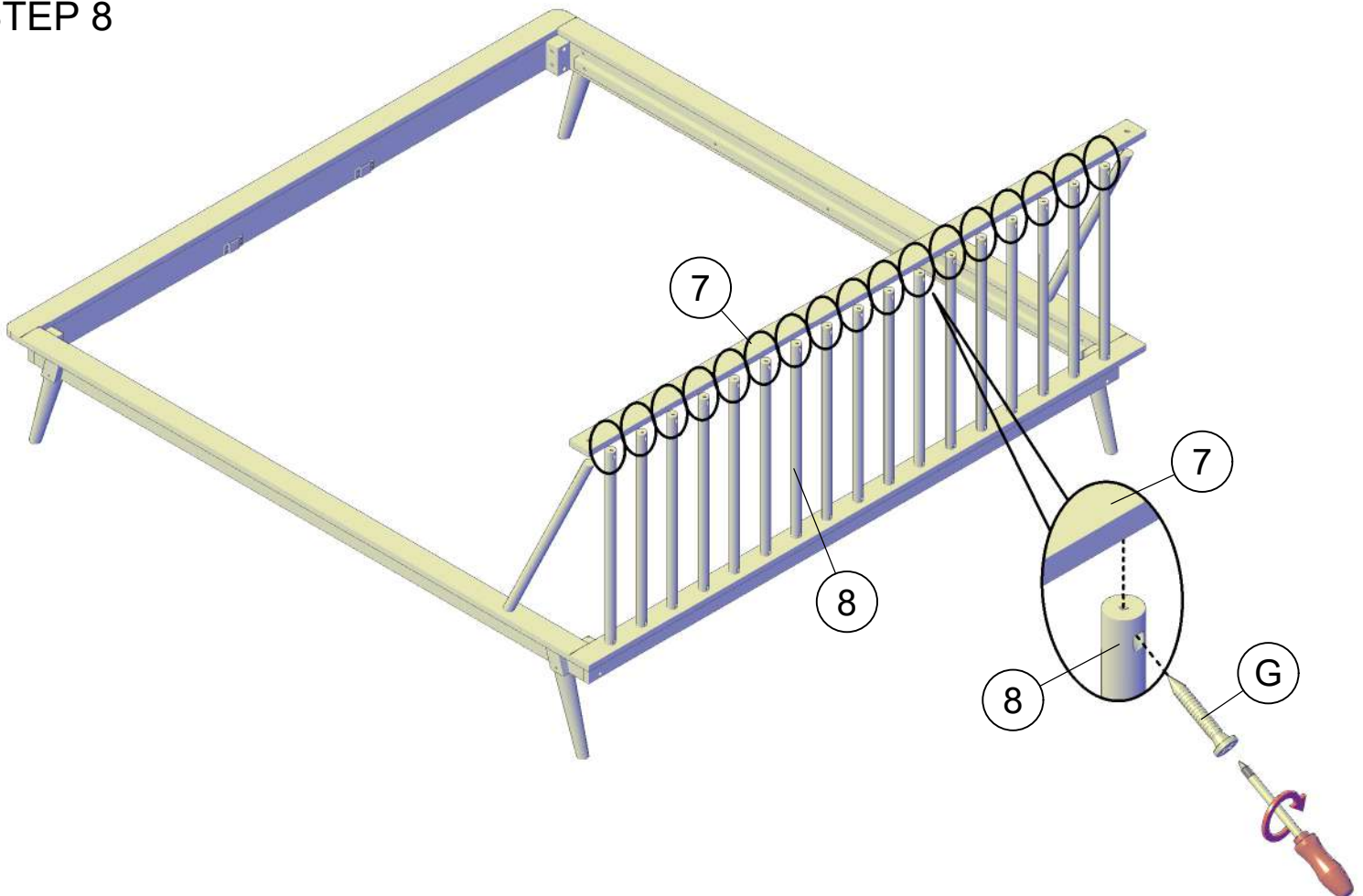


ASSEMBLY INSTRUCTION

STEP 7

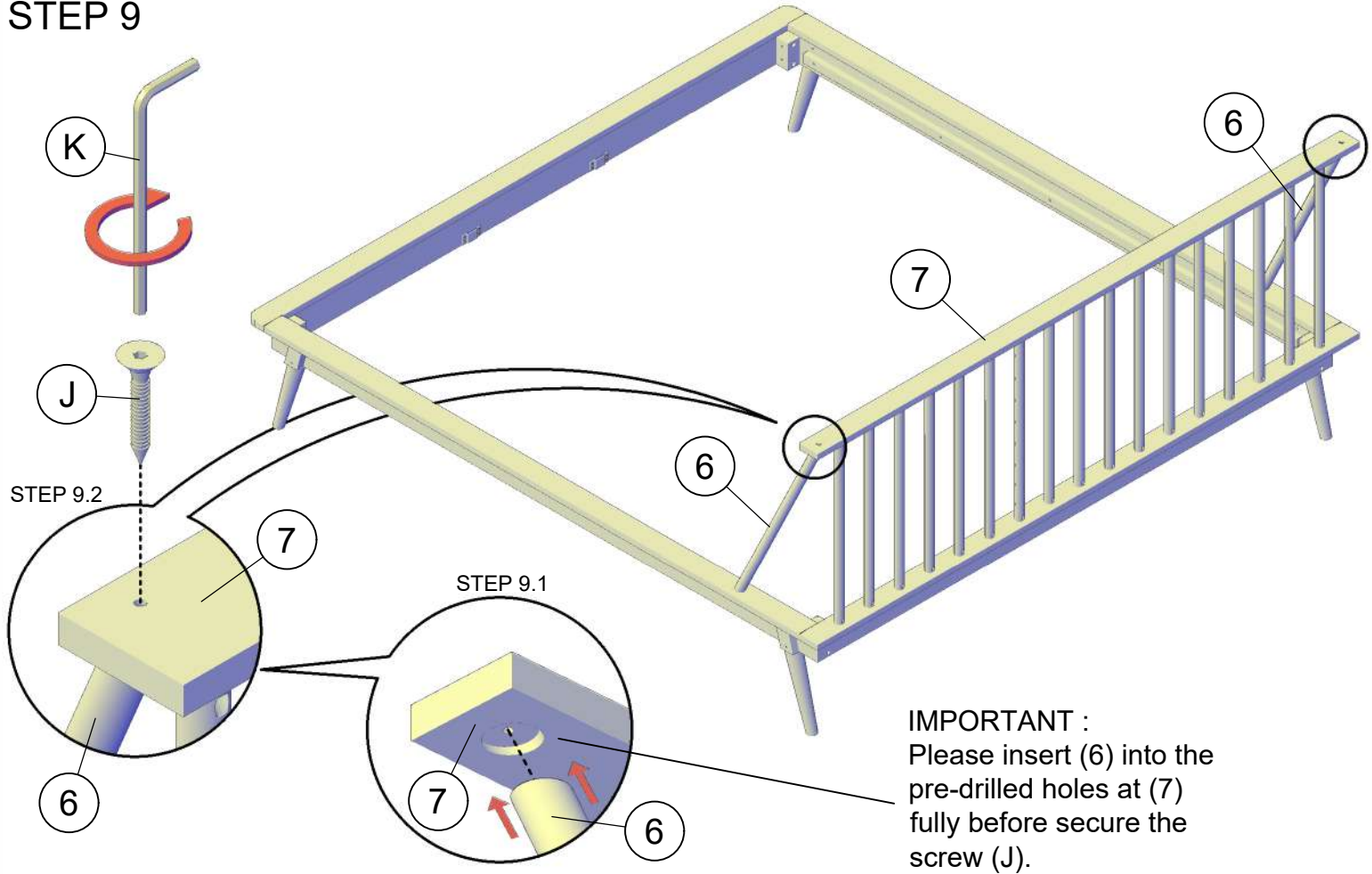


STEP 8



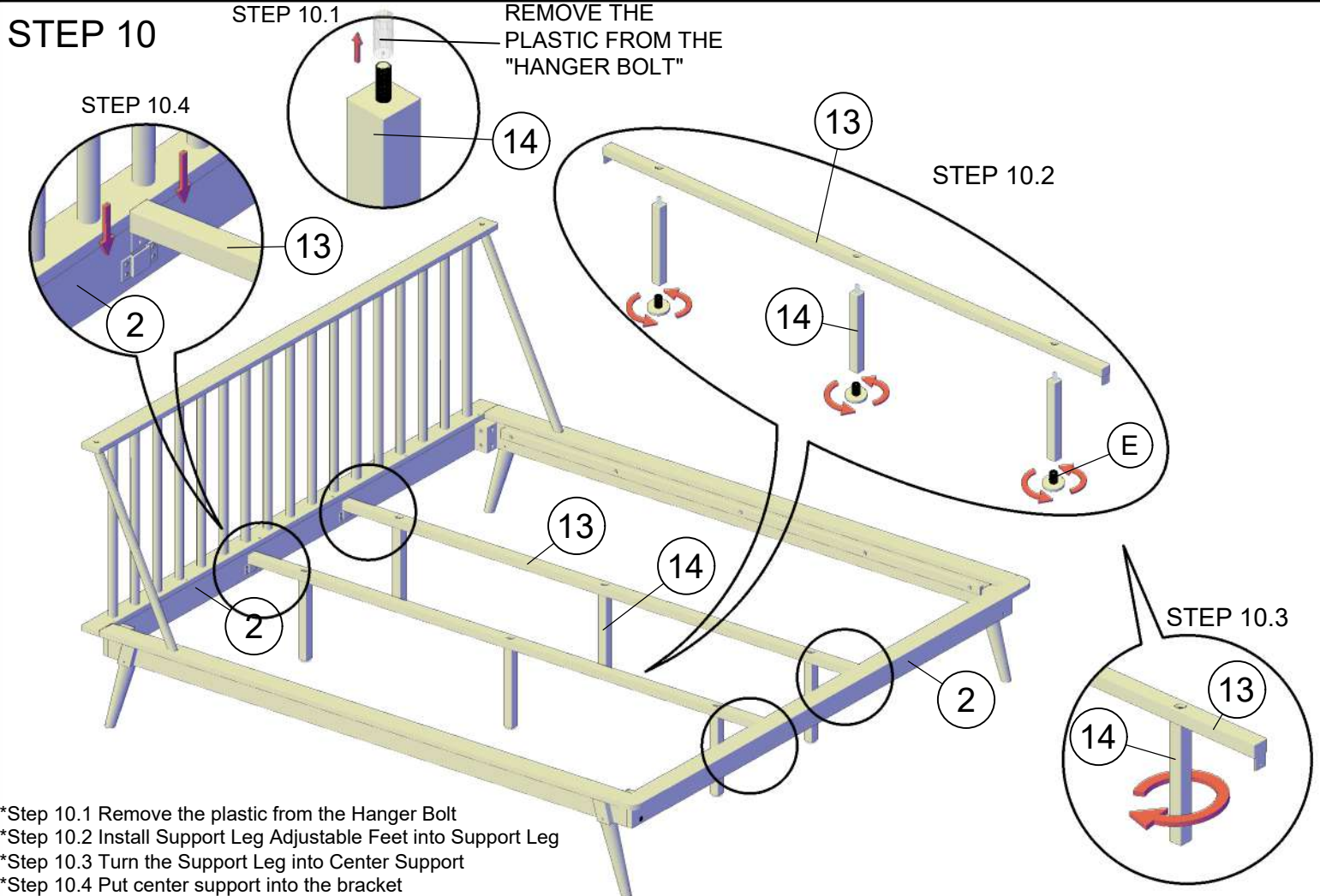
ASSEMBLY INSTRUCTION

STEP 9



IMPORTANT :
Please insert (6) into the pre-drilled holes at (7) fully before secure the screw (J).

STEP 10

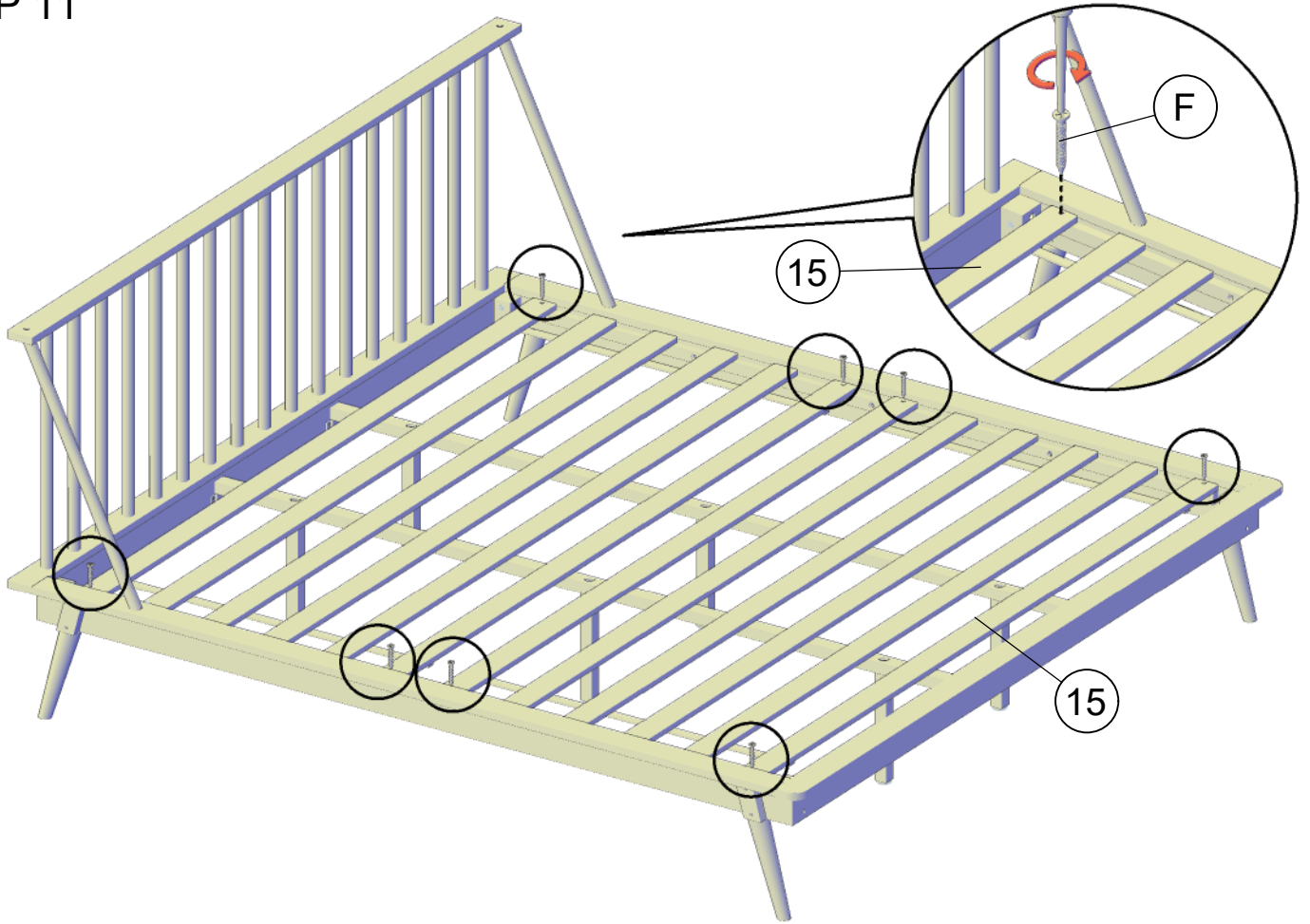


REMOVE THE PLASTIC FROM THE "HANGER BOLT"

- *Step 10.1 Remove the plastic from the Hanger Bolt
- *Step 10.2 Install Support Leg Adjustable Feet into Support Leg
- *Step 10.3 Turn the Support Leg into Center Support
- *Step 10.4 Put center support into the bracket

ASSEMBLY INSTRUCTION

STEP 11



ASSEMBLY
COMPLETE