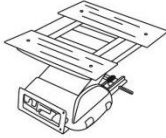


Electric Beauty Beds Installation Manual

Parts

#1 1pc



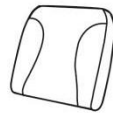
bed frame

#2 1pc



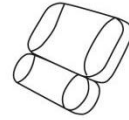
seat cushion

#3 1pc



back cushion

#4 1pc



leg cushion

#5 1pc



back outer cover

#6 1pc



leg outer cover

#7 1pc



headrest

#8 2pcs



armrest

#9 1pc



towel bar

#10 1pc



#11 1pc



Hardware

#A 2pcs



wheel

#B 4pcs



thick screw

#C 4pcs



latch

#D 4pcs



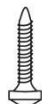
foot pad

#E 12+2pcs



short screw

#F 12+2pcs



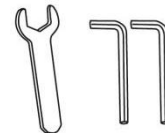
long thin screw

#G 2pcs



headrest insert rod

#H 1pc

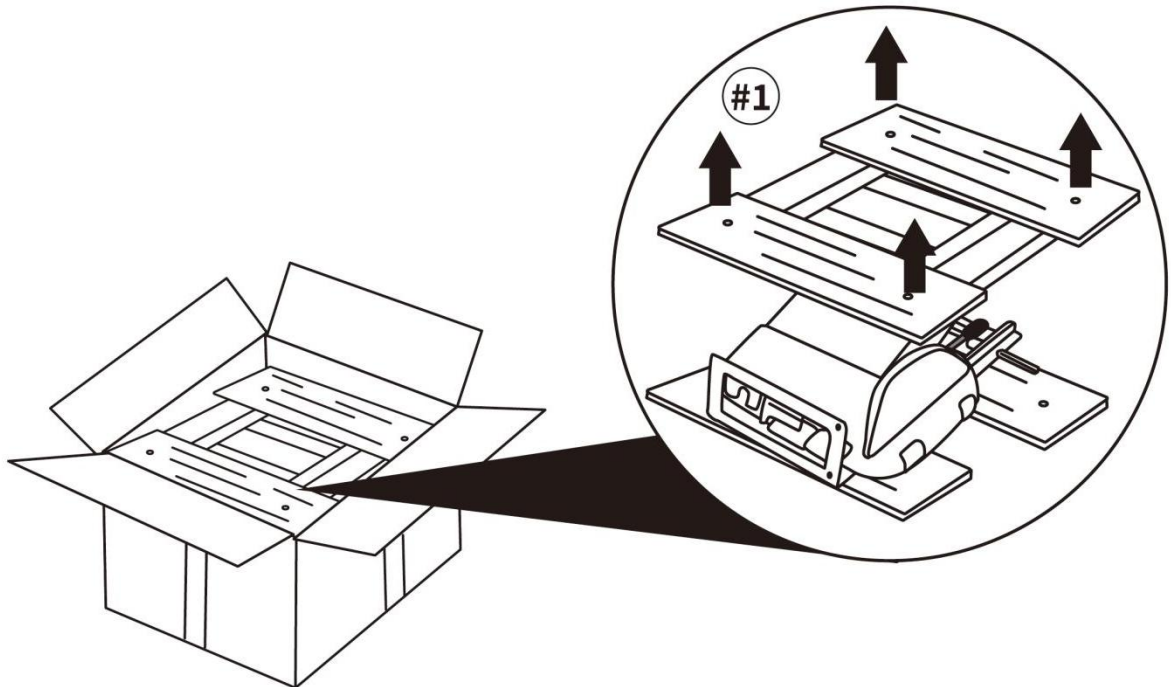


tools

Check Parts: Carefully inspect all parts in the electric beauty beds. Contact Customer Support immediately if anything is missing or damaged.

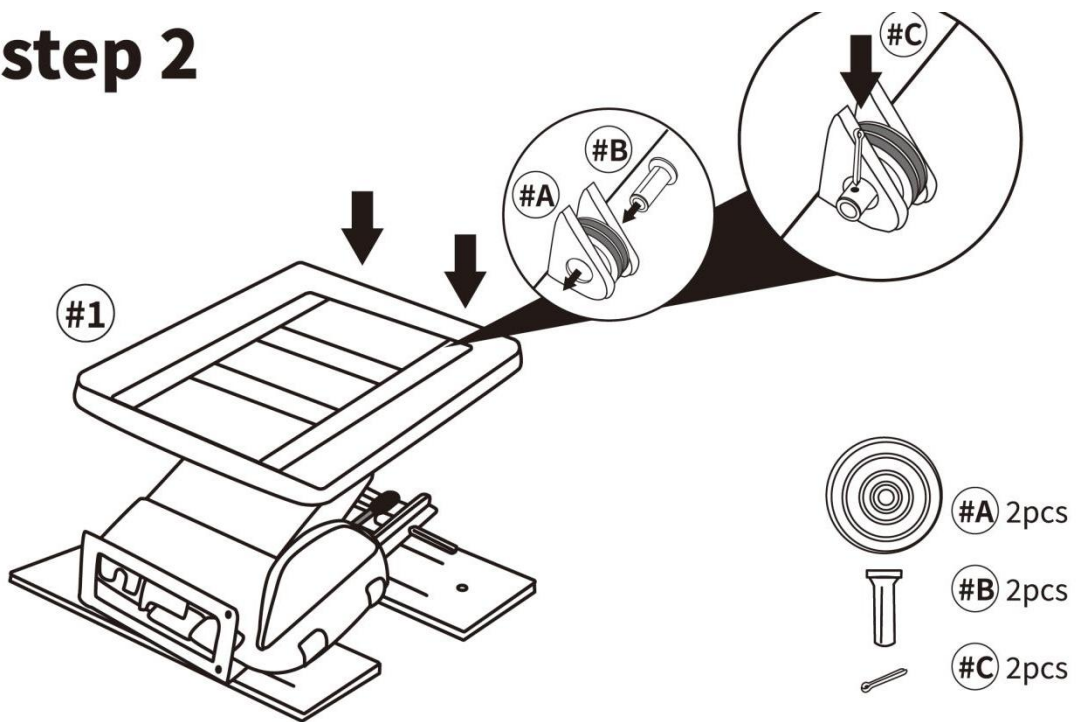
I、 Operating Steps

step 1



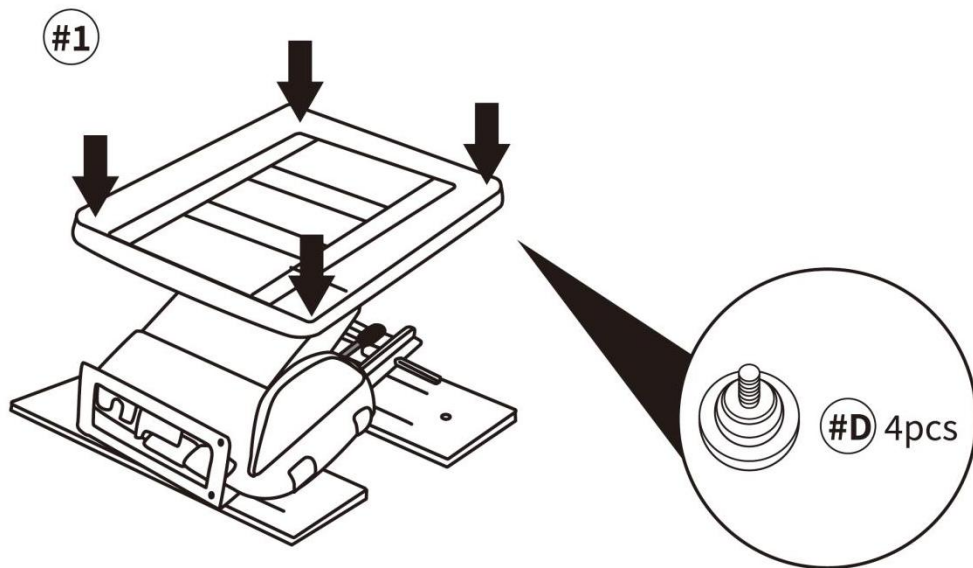
Remove the two wood on the pedestal.

step 2



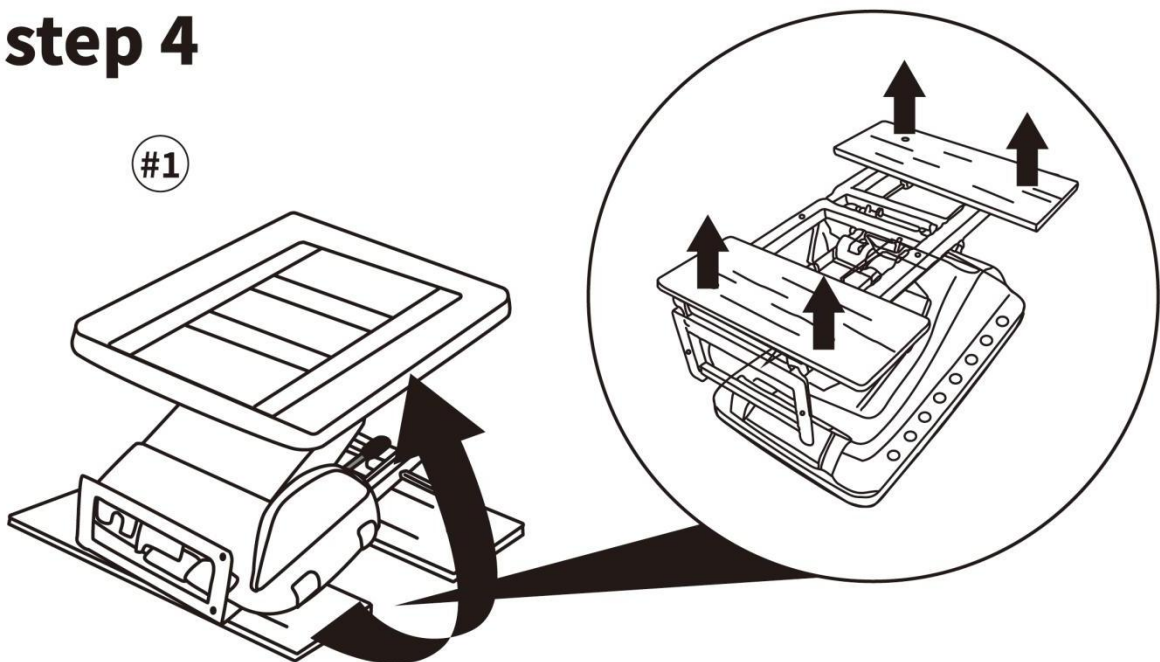
Install the wheels. Assemble the bed surface by using screws and latches as well as foot pads. Ensure all screws are securely tightened.

step 3



Install the foot pads. Make sure to tighten the screws and pull through the middle of the foot pads.

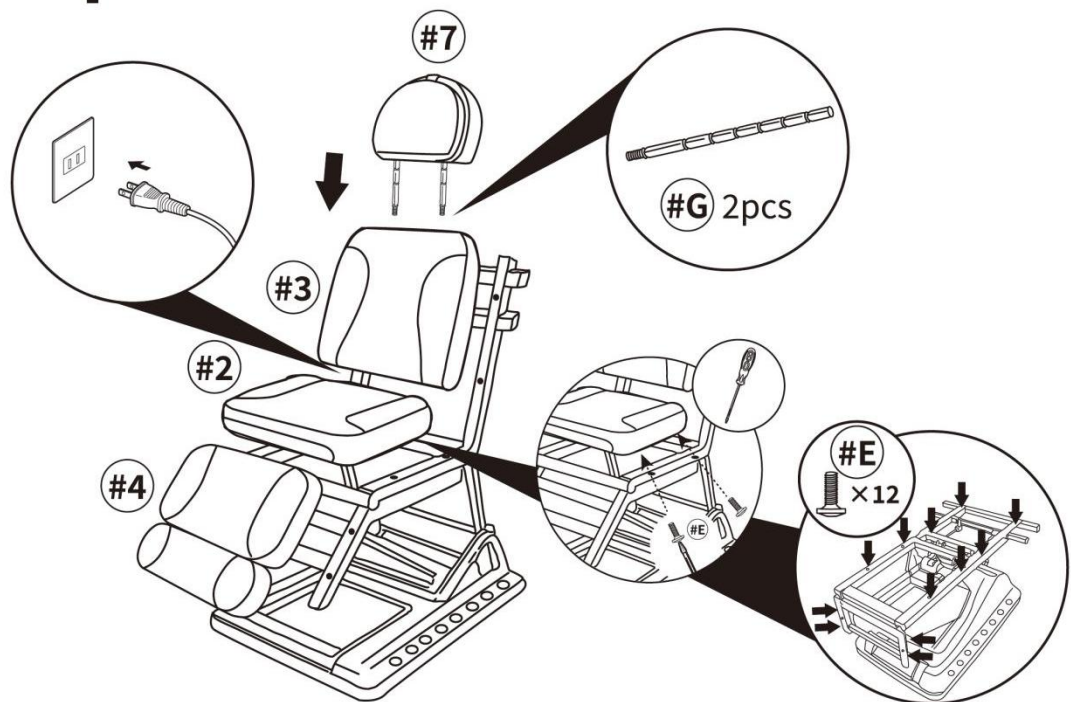
step 4



Flip the whole bed over.

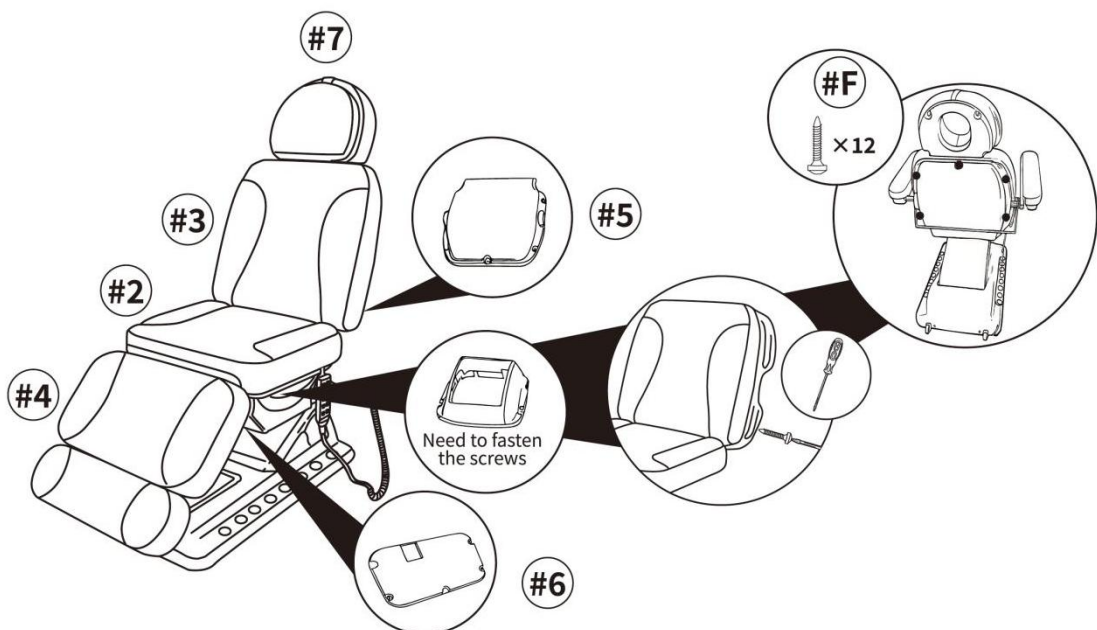
Remove the wood on the top of the frame.

step 5



Note: Plug in the electric beauty bed and check if each motor is functioning properly. After confirming that it operates normally, adjust the bed to the appropriate position and install the three cushions and headrest.

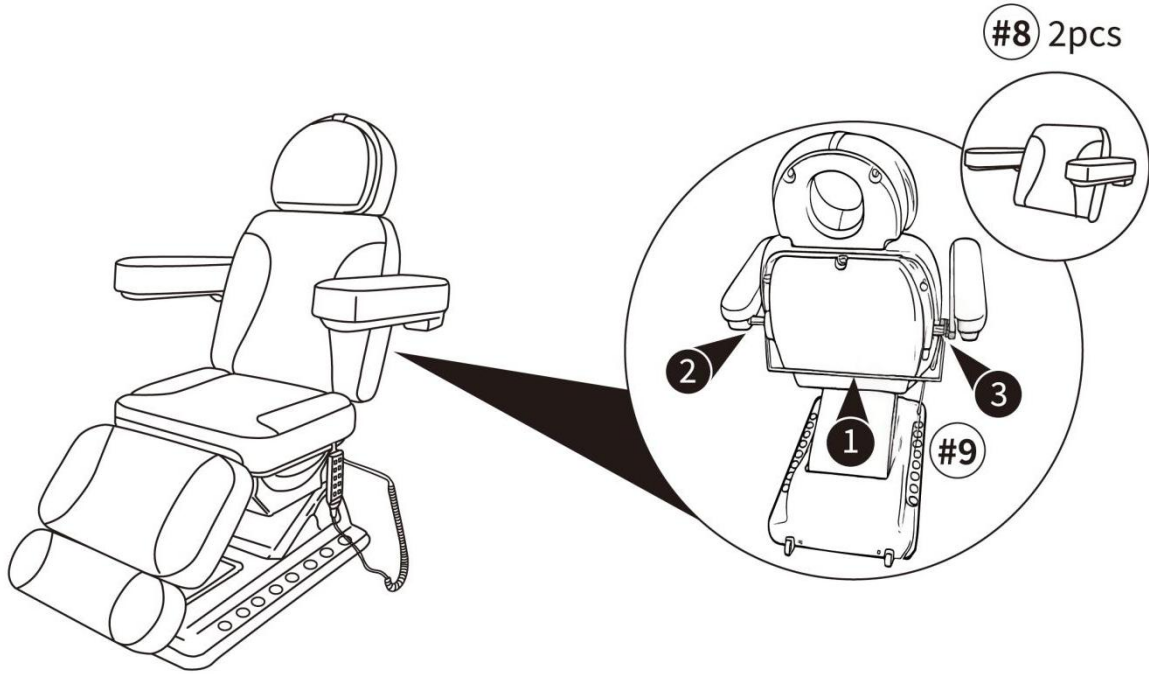
step 6



Install the three back covers on the corresponding cushions (one of which is

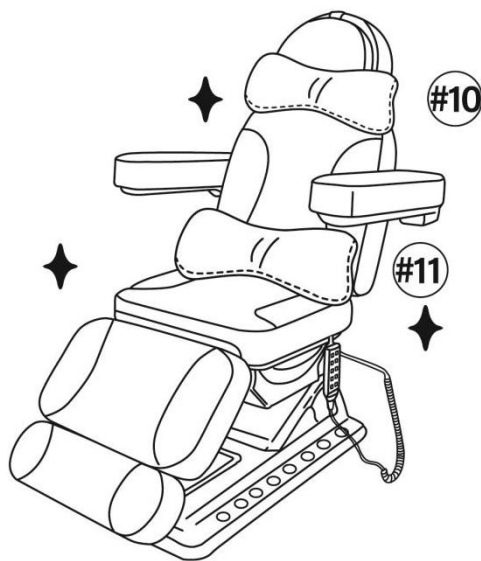
already included in the bed frame) and screw them tightly

step 7



Install a towel bar and two armrests. You need to install the towel bar first, then insert the armrests into the correct positions.

step 8



Complete.

The electric beauty bed performs well.

1. Final Check & Testing

(1) Check Everything: Visually inspect and physically check that ALL screws are firmly connected, tightened, and properly seated.

(2) Perform Test: Before use, briefly power on the unit. Test the electric beauty bed function.

II、 Notes and Reminders

Maintenance Advice: Check the tightness of screws monthly, and apply lubricating oil regularly at the motor linkage.

Fault Resolution: If the remote control fails to work, first check the motor or reset the control box (restart after a TEN-second power outage).

III、 Precautions for Using Electric Beauty Beds

1. Electric beauty beds should be placed on a stable surface and kept level at all times. Please check if these conditions are met before use.

2. **DO NOT** apply excessive force during use to prevent damage to the bed. If any abnormal sounds or other unusual phenomena are detected, stop using it immediately.

3. If any damage is found, contact a professional repairman or dealer for inspection and repair to avoid potential safety problems.

4. Before installation, clean and disinfect the bed frame and plastic cover to ensure their hygiene and safety.

5. Pay attention to adjust the height of the bed surface to avoid unnecessary danger. Most electric beauty beds provide a height adjustment stop device to prevent the bed surface from rising too high and causing danger.

6. Ensure balanced load during use to avoid damaging the motor of the equipment. Any unbalanced load must be corrected by a professional.