

NOTICE

- *Please make sure that you have all parts indicated and they are in good condition before you begin assembly of this item. Refer to part list and hardware list below for guidance.
- *This item should be assembled on a soft surface to prevent scratching the finish during assembly.
- *This item may require periodic tightening.
- *If you are having difficulty, our friendly Customer Care team is always here to help.


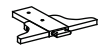





PREPARATION

- * Before beginning assembly of product, make sure all parts are present. Compare parts with part contents list and hardware contents list.
- * If any part is missing or damaged, do not attempt to assemble the product.
- * Estimated Assembly Time: 10 minutes.
- * **Tools Required for Assembly (included): Allen Key**

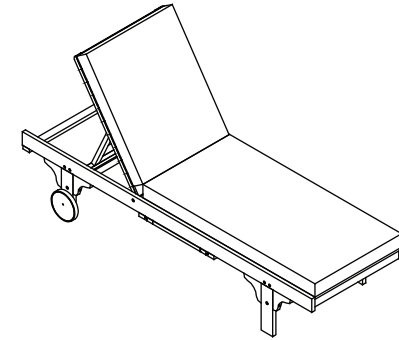
CARE AND MAINTENANCE

Store outdoor furniture indoors or cover well when not in use. Dust regularly with small brush or vacuum. Spills should be taken care of immediately before they harden or stain with a slightly damp sponge.

Part List and Hardware List

PIECE	DESCRIPTION	PICTURE	QUANTITY
A	Sunlounger frame		1X
B	Front leg		2X
C	Cross bar of leg		2X
D	Back leg		2X
CSH1	Cushion		1X
HW1	Screw: M7 x0.5 x50 mm		4X
HW2	Screw: M6 x0.5 x18 mm		8X



Product Dimensions: 25.2" W x 34.3" D x 34.3" H



Weight Capacity :600 Ibs

Warning : Do not stand on sunlounge

Warning : Do not over torque bolts / screws

PIECE	DESCRIPTION	PICTURE	QUANTITY
HW3	Screw: M6 x0.5 x60 mm		8X
HW4	Allen key 5		1X

PREPARATION

*Before beginning assembly of product, make sure all parts are present. Compare parts with package contents list and hardware contents list.

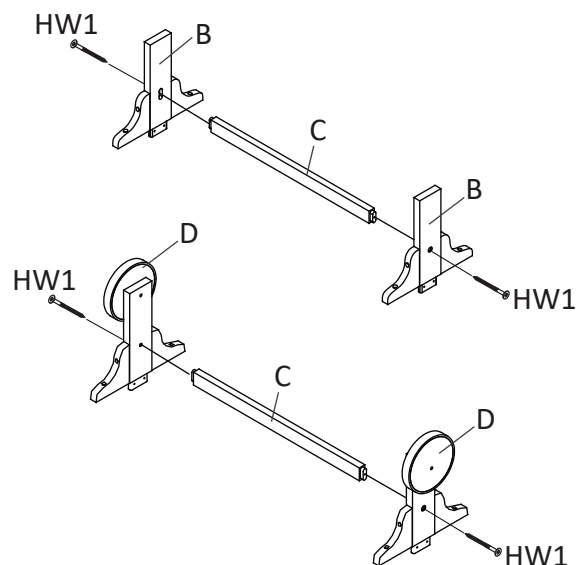
*If any part is missing or damaged, do not attempt to assemble the product.

* Estimated Assembly Time : 10 minutes.

* Tools Required for Assembly (included): Allen Key

* If you are having difficulty, our friendly Customer care team is always here to help.

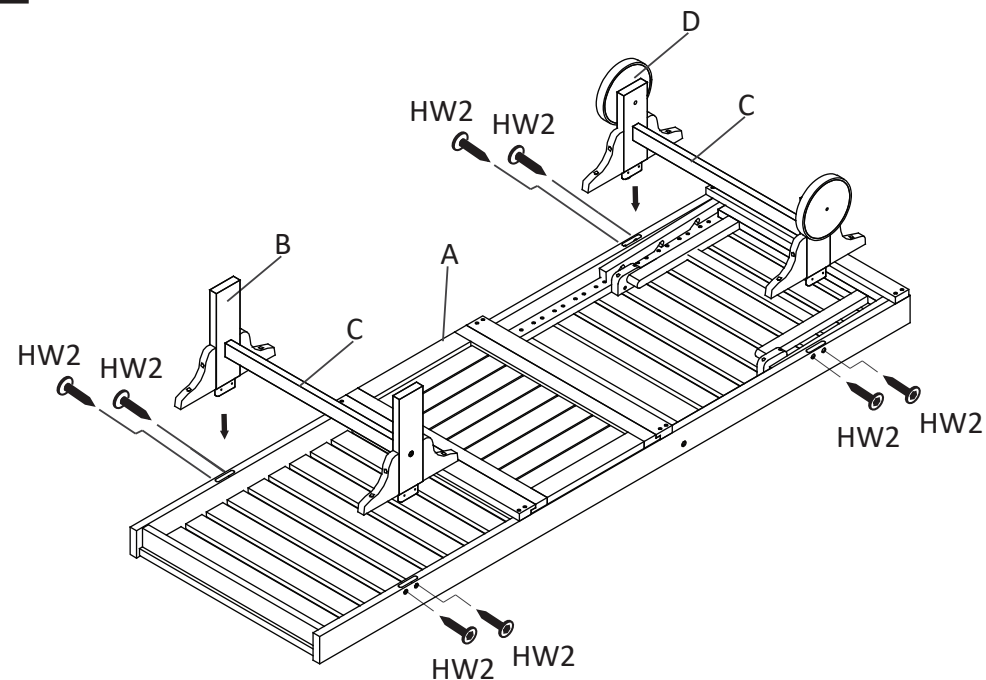
1



Step 1

- Attached (B) & (C),using (HW1) tighten with (HW4)
- Attached (D) & (C),using (HW1) tighten with (HW4)

2



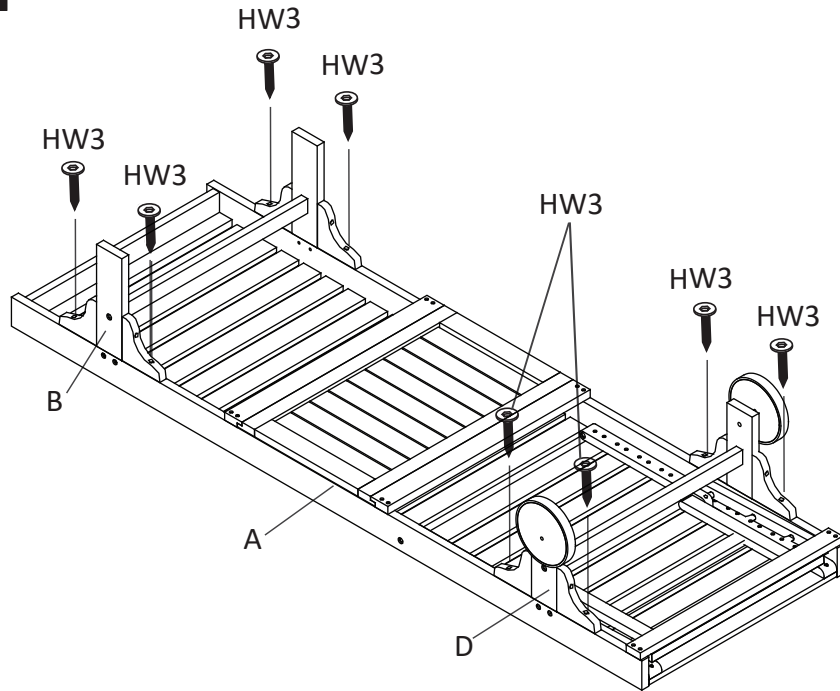
Step 2

- (B) & (C) attached to (A),using (HW2) tighten with (HW4),(D)&(C)attached to (A),using (HW2) tighten with (HW4).

PREPARATION

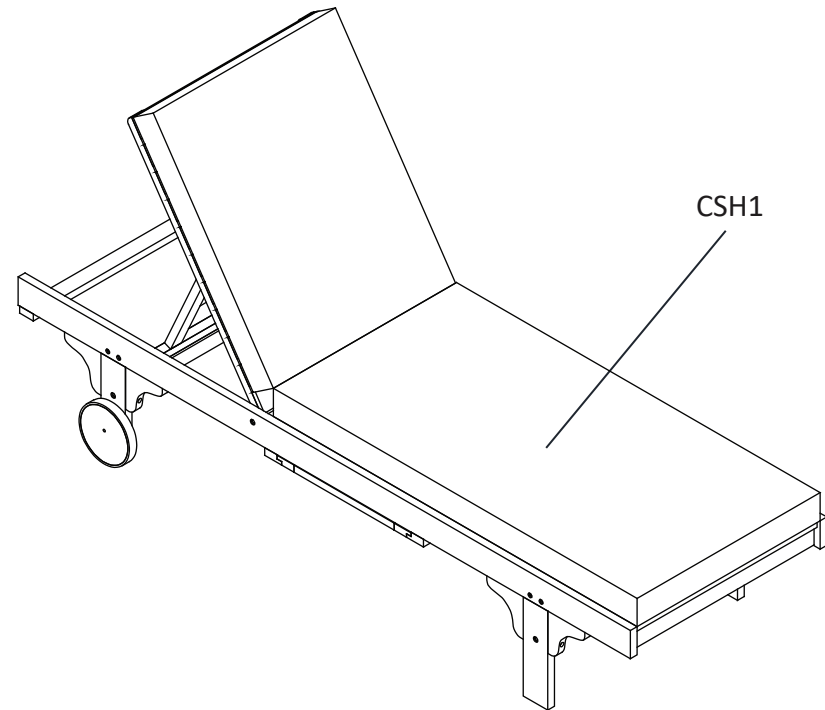
- *Before beginning assembly of product, make sure all parts are present. Compare parts with package contents list and hardware contents list.
- *If any part is missing or damaged, do not attempt to assemble the product.
- * Estimated Assembly Time : 10 minutes.
- * Tools Required for Assembly (included): Allen Key
- * If you are having difficulty, our friendly Customer care team is always here to help.

3



Step 3
Using (HW3) tighten with (HW4).

4



Step 4
Put Seat Cushion (CSH1) on the Sunlounge. The Sunlounge is ready to be used.