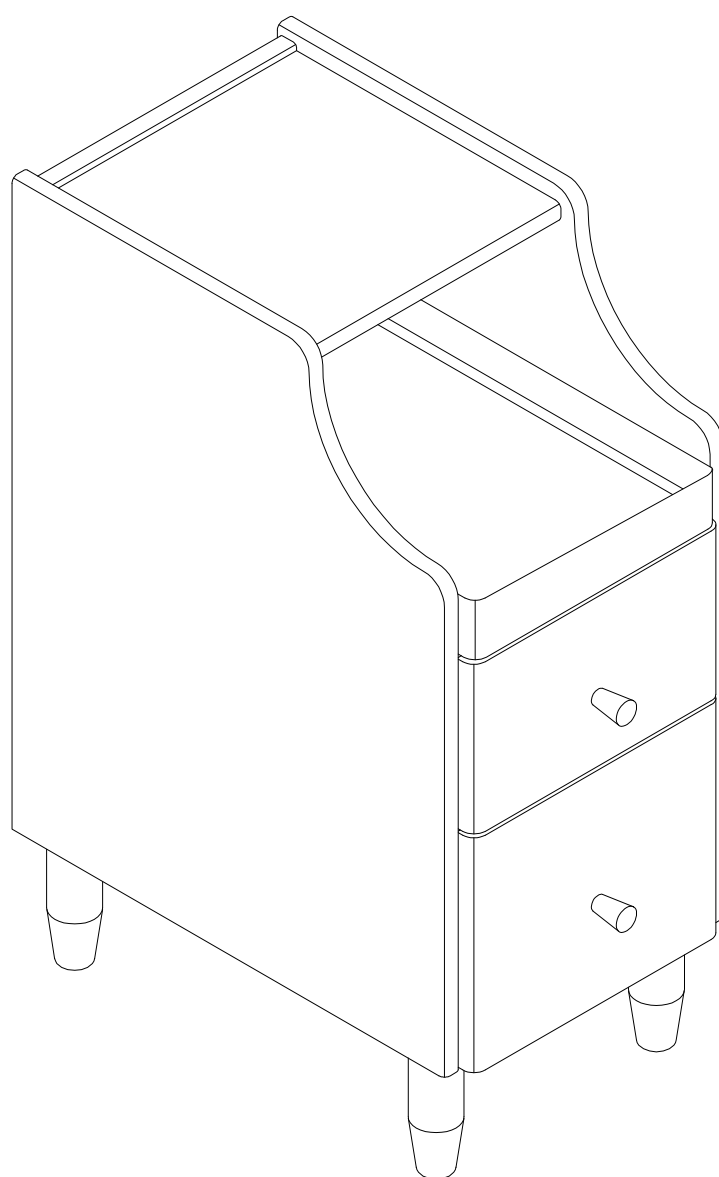


# Assembly Instructions



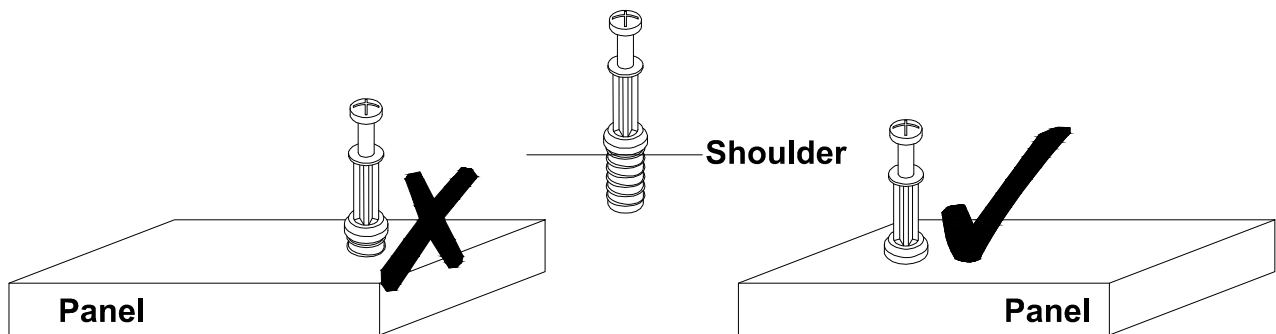
# Before Assembly

1. Assembly requires two or more people to complete.
2. Using power tools will make the installation finish faster.

## Tips Before Your Start:

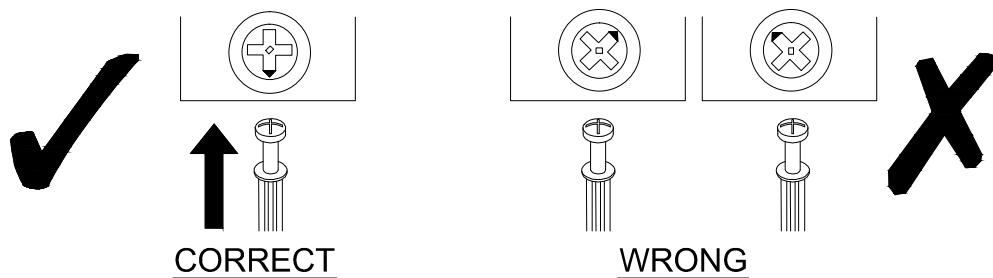
- Remove all wrapping material, including staples & packing straps before you start to assemble.
- DO NOT tighten all screws and bolts until the assembly is completely assembled.
- Keep all hardware parts out of reach of children.

## QUICKFIT



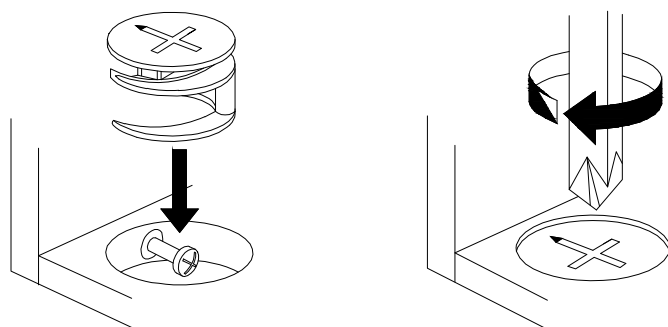
Tighten quickfit until shoulder is flush with panel. Do not overtighten or undertighten.

## CAM LOCK



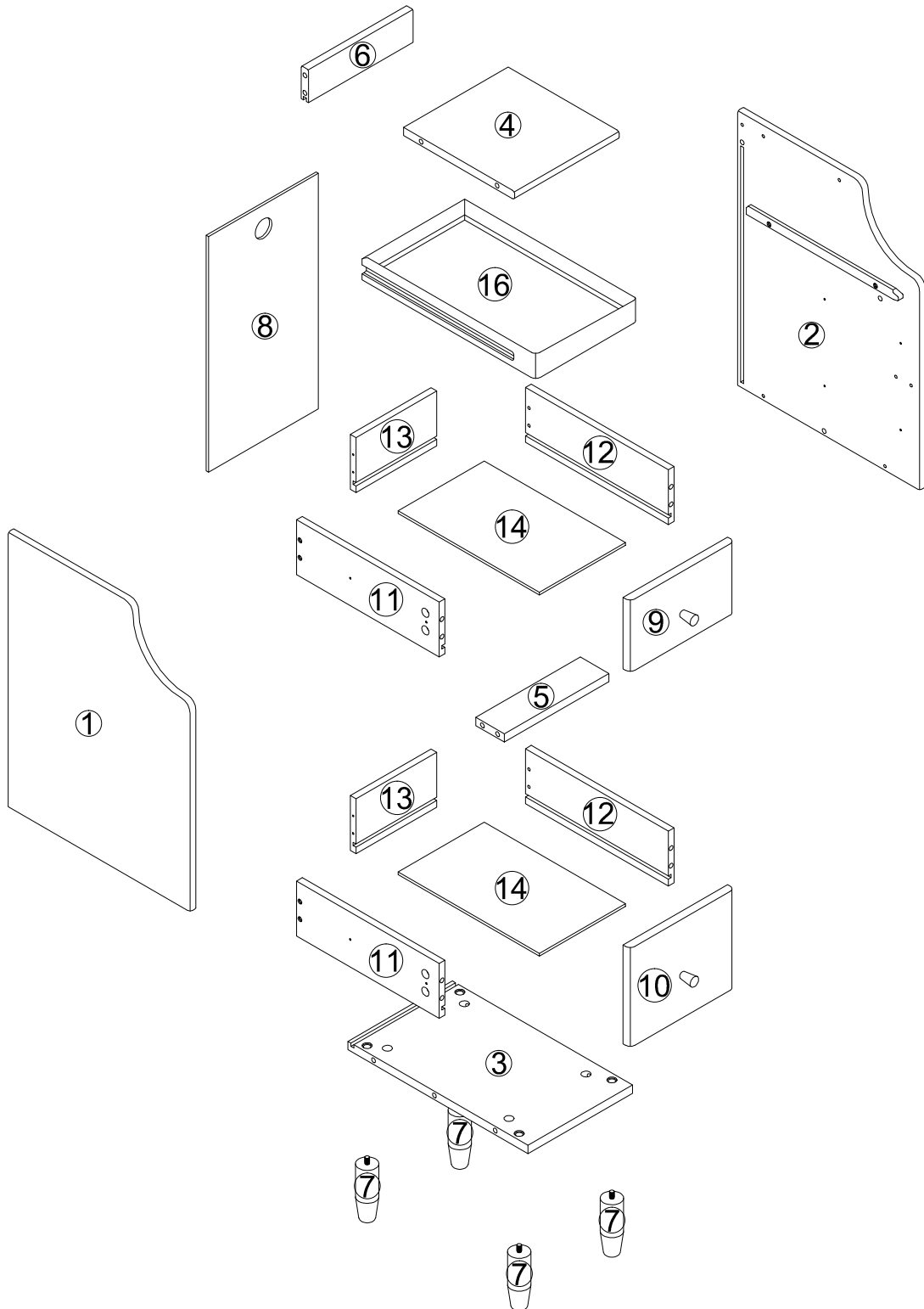
When fitting a cam lock, ensure the starting position is correct before inserting the connecting QUI CKFIT

“Ensure the arrow on the Cam Lock (B) is pointing towards the hole for the Cam Lock Dowel (A) before inserting.”



Turn cam lock clockwise to tighten.

# Product structure

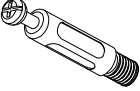


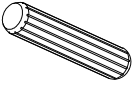
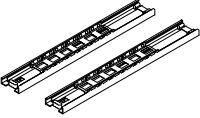
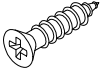
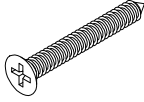
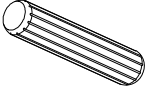

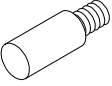
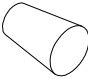

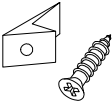
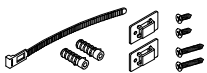


“Assemble on a soft surface, such as a carpet or the original packaging box, to avoid scratches to the panels.”

# Part List



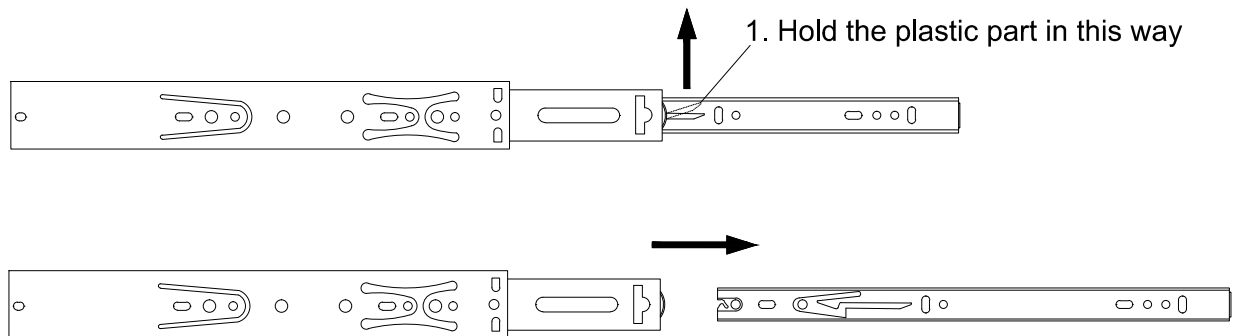
“Please check all parts and hardware against the list before assembly. If any parts are missing or damaged, please contact us immediately.”

<p><b>No. A</b> Quantity:22 Pcs Cam Lock Dowel 8*28mm</p> 	<p><b>No. B</b> Quantity:22 Pcs Cam φ15</p> 	<p><b>No. C</b> Quantity:22 Pcs Sticker Ø20</p> 	<p><b>No. D</b> Quantity:4 Pcs Dowel 8*30mm</p> 
<p><b>No. E</b> Quantity:2 Sets Drawer Slider 10"</p> 	<p><b>No. F</b> Quantity:16 Pcs Screw M3.5*12mm</p> 	<p><b>No. G</b> Quantity:8 Pcs Screw M4*30mm</p> 	<p><b>No. H</b> Quantity:2 Pcs Dowel 10*40mm</p> 
<p><b>No. I</b> Quantity:4 Pcs Foot Pad Ø20</p> 	<p><b>No. J</b> Quantity:2 Pcs</p> 	<p><b>No. K</b> Quantity:2 Pcs Handle</p> 	<p><b>No. L</b> Quantity:2 Pcs Screw M4*20mm</p> 
<p><b>No. M</b> Quantity:4 Sets Plastic Wedge</p> 	<p><b>No. N</b> Quantity:1 Sets Anti-falling Parts</p> 		

## Preparatory steps for installing drawer slides;

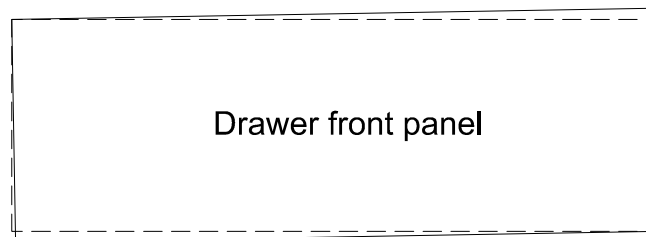
please first locate and disassemble the drawer slide 'E' component for subsequent installation, Please follow the instructions below for disassembly.

How to separate the drawer slider:

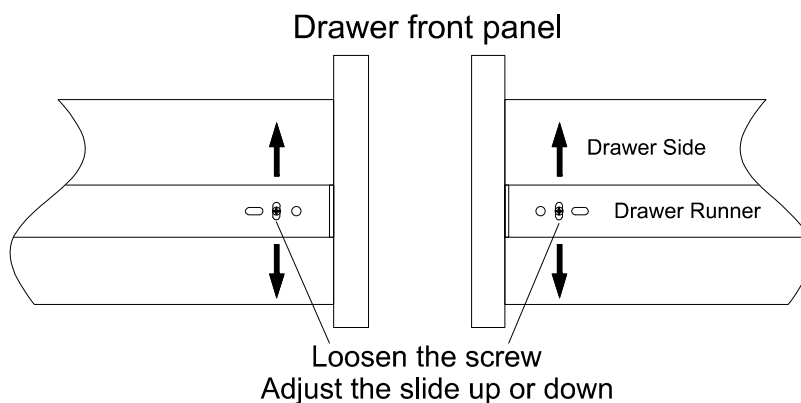


2. Pull out the inner slider for drawer box fixing

## Drawer Front Alignment

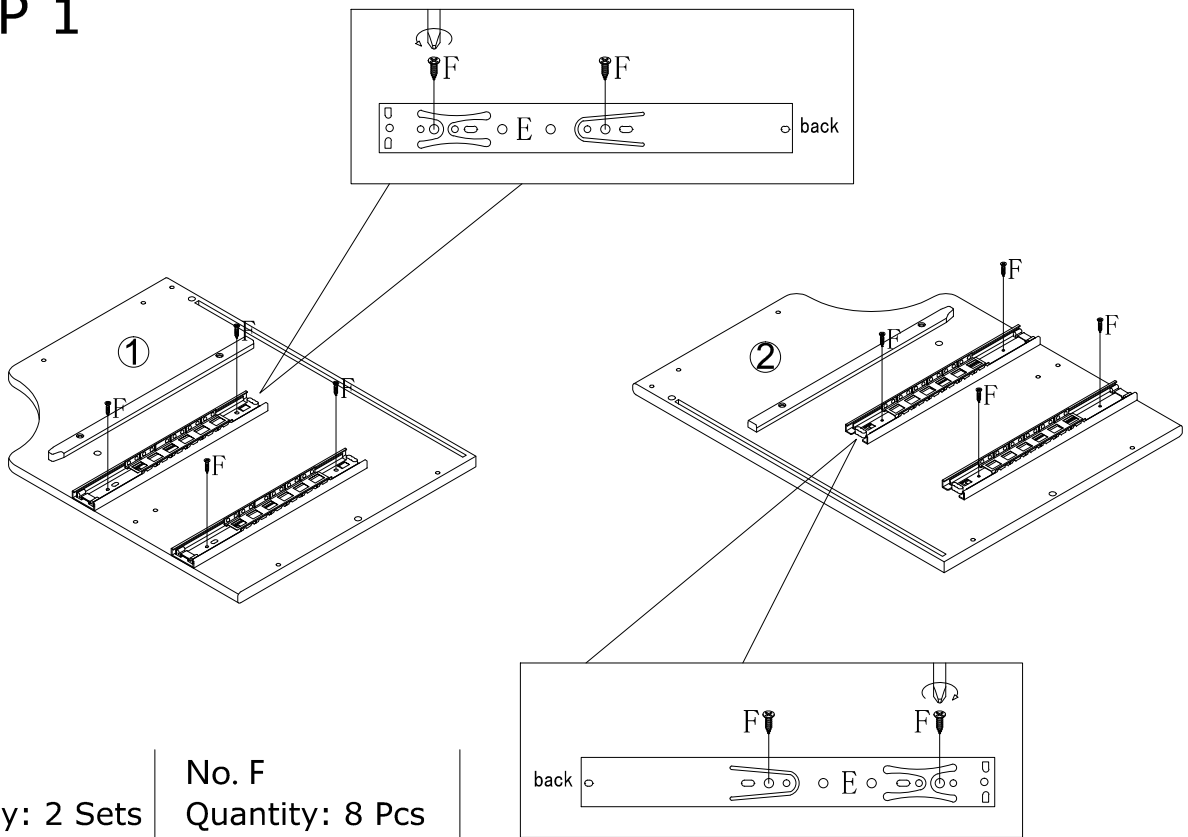


If the drawer front panel is NOT level after being assembled, then...

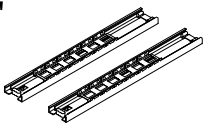


Loosen the screws on the left and right hand side, then adjust the drawer slide up or down, until the drawer fronts are even/level, then tighten the screws.

# STEP 1



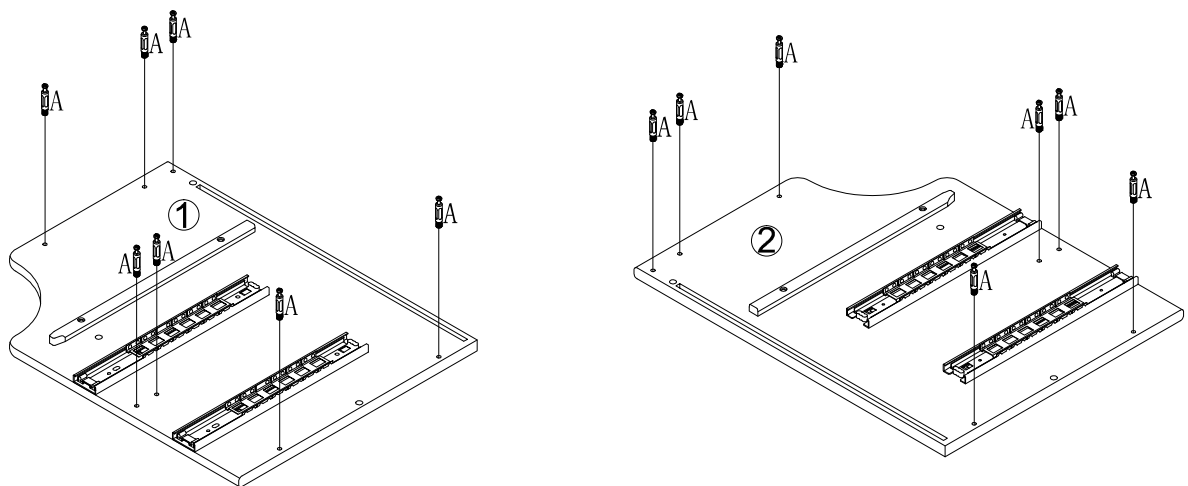
No. E  
Quantity: 2 Sets  
10"



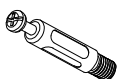
No. F  
Quantity: 8 Pcs  
M3.5\*12mm



# STEP 2



No. A  
Quantity: 14 Pcs  
8\*28 mm



# STEP 3

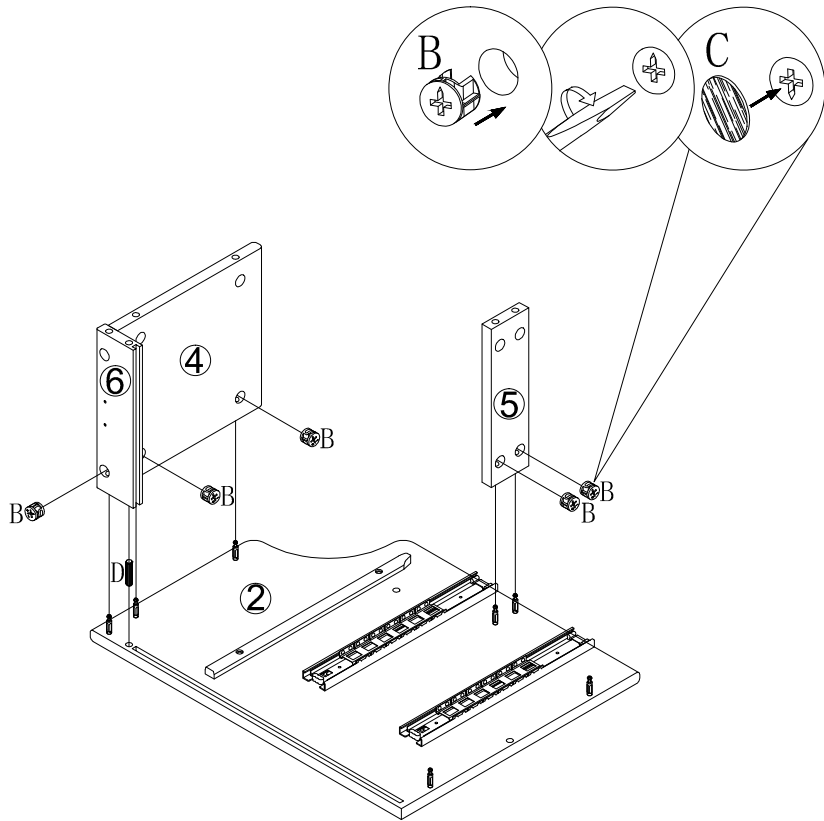
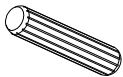
No. B  
Quantity: 5 Pcs  
Ø15



No. C  
Quantity: 5 Pcs  
Ø20



No. D  
Quantity: 1 Pcs  
8\*30mm



# STEP 4

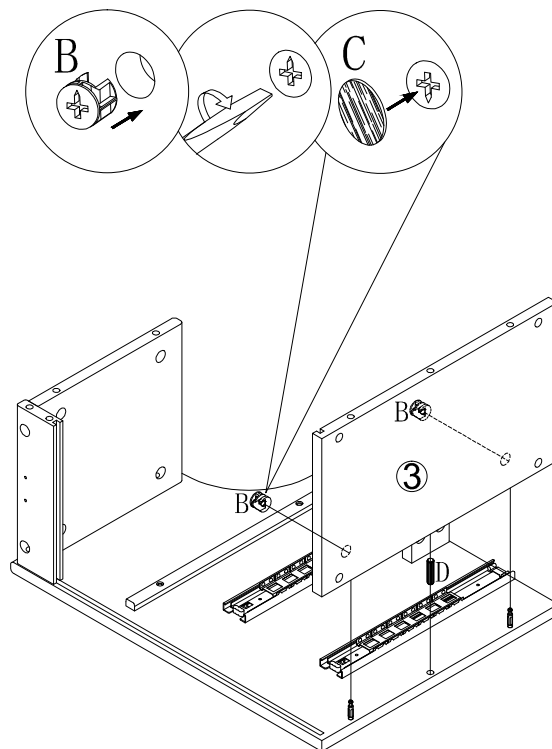
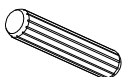
No. B  
Quantity: 2 Pcs  
Ø15



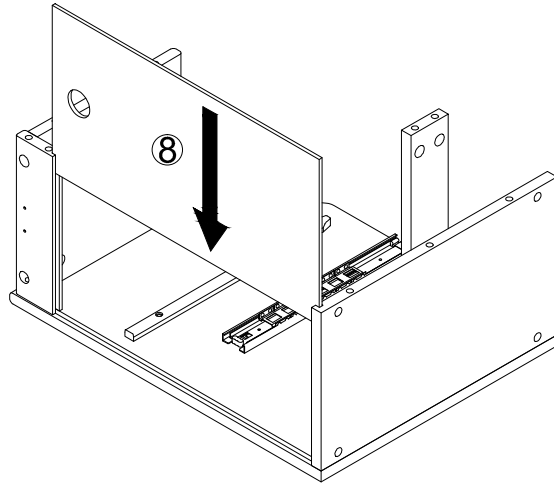
No. C  
Quantity: 2 Pcs  
Ø20



No. D  
Quantity: 1 Pcs  
8\*30mm



# STEP 5



# STEP 6

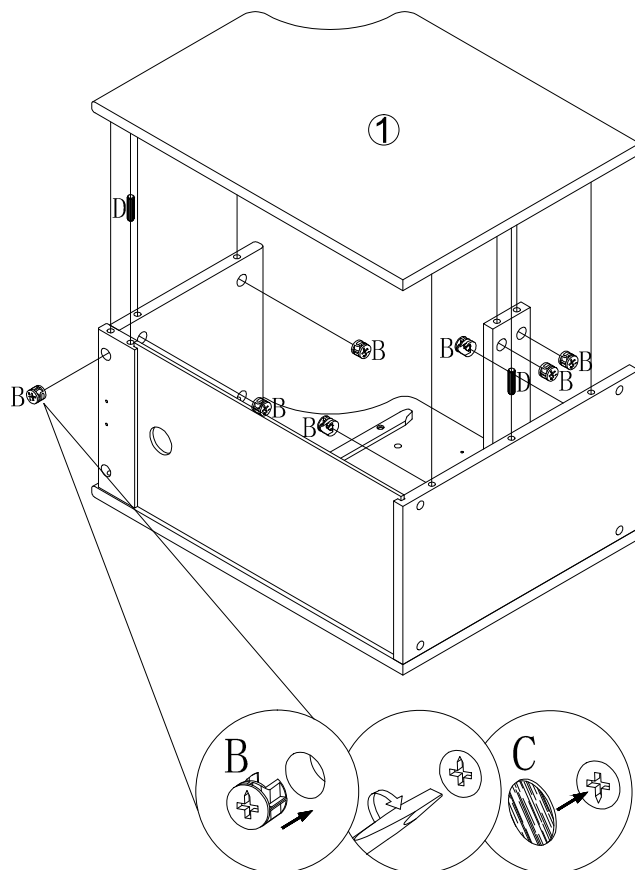
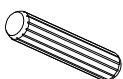
No. B  
Quantity: 7 Pcs  
Ø15



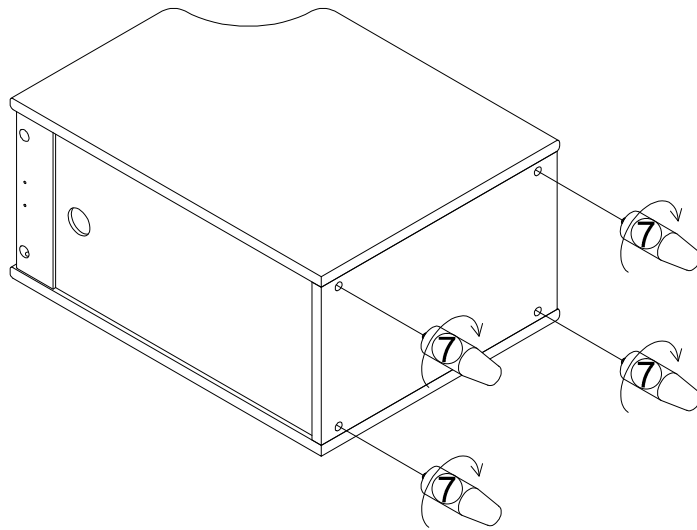
No. C  
Quantity: 7 Pcs  
Ø20



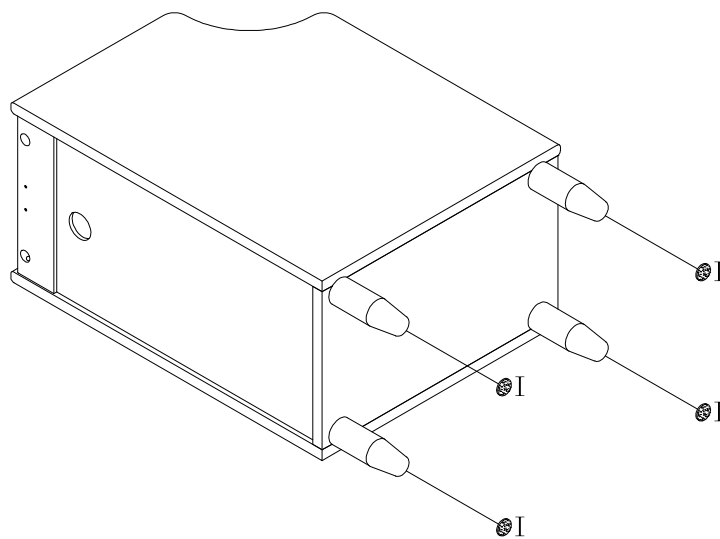
No. D  
Quantity: 2 Pcs  
8\*30mm



# STEP 7



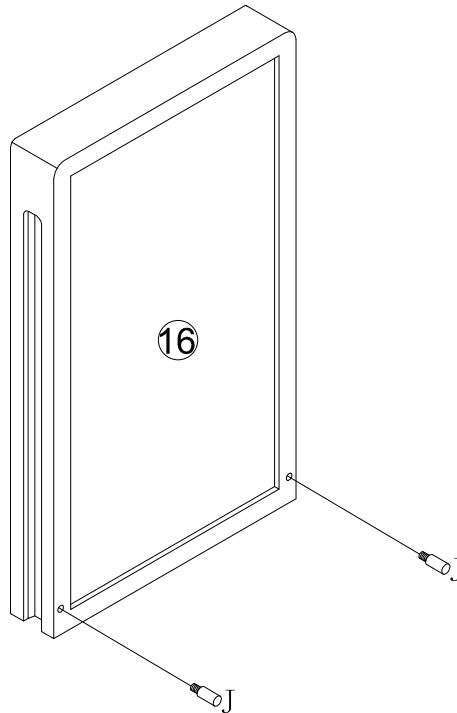
# STEP 8



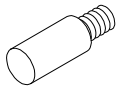
No. I  
Quantity: 4 Pcs  
Ø20



## STEP 9

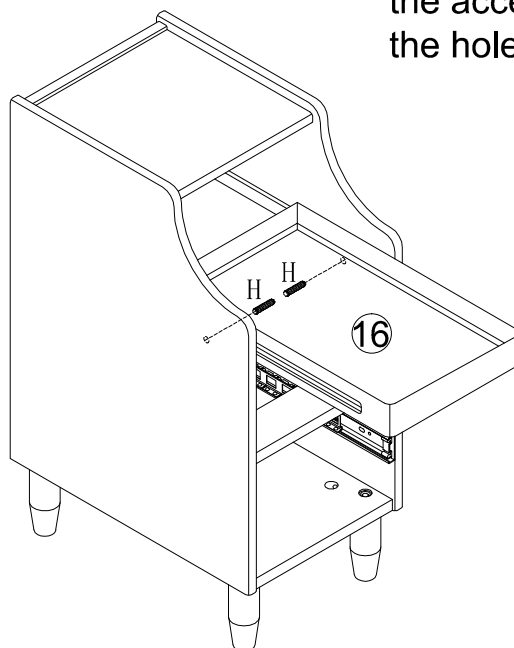


No. J  
Quantity: 2 Pcs

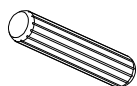


## STEP 10

When sliding the top drawer into the main cabinet, please first push it in halfway, then install the accessories marked 'H' into the holes on both side panels.

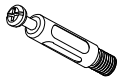


No. H  
Quantity: 2 Pcs  
10\*40mm



# STEP 11

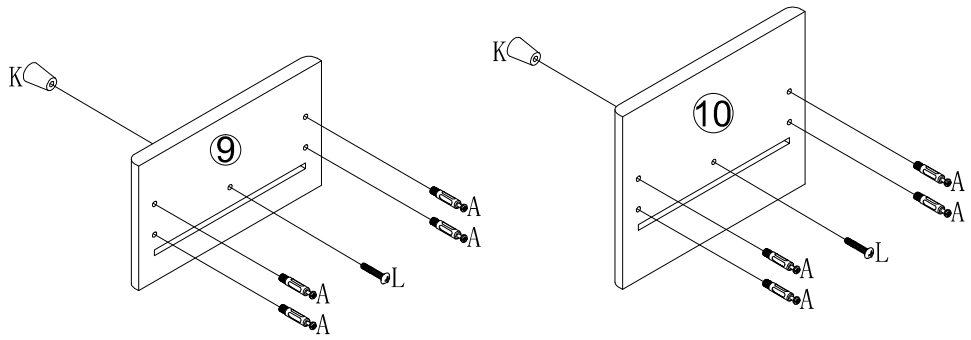
No. A  
Quantity: 8 Pcs  
8\*28 mm



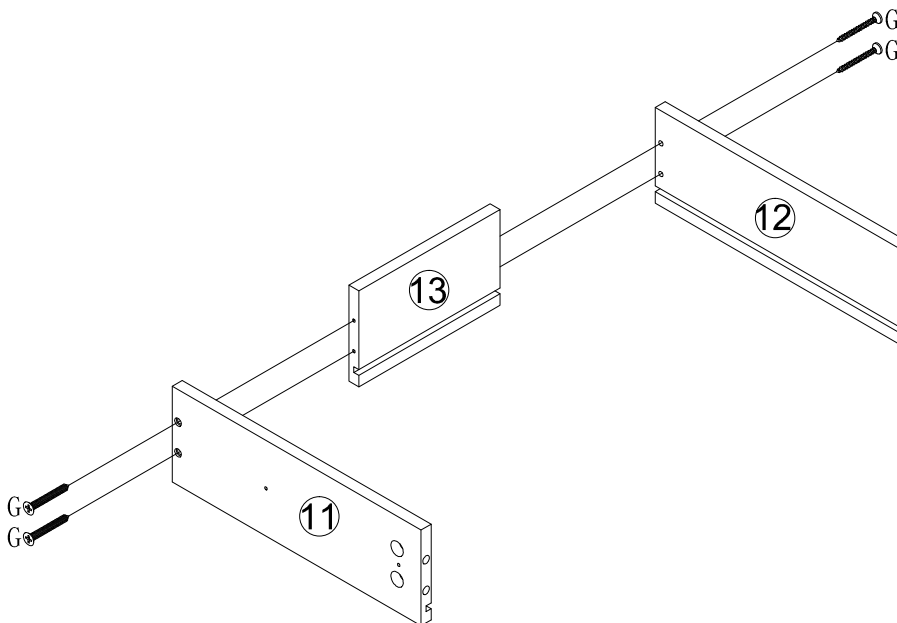
No. K  
Quantity: 2 Pcs



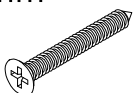
No. L  
Quantity: 2 Pcs  
M4\*20mm



# STEP 12

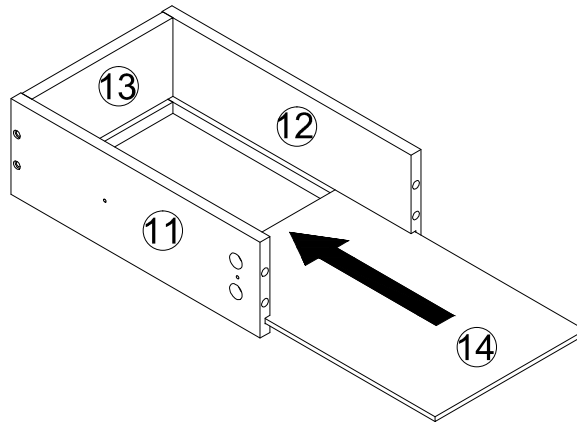


No. G  
Quantity: 8 Pcs  
M4\*30mm



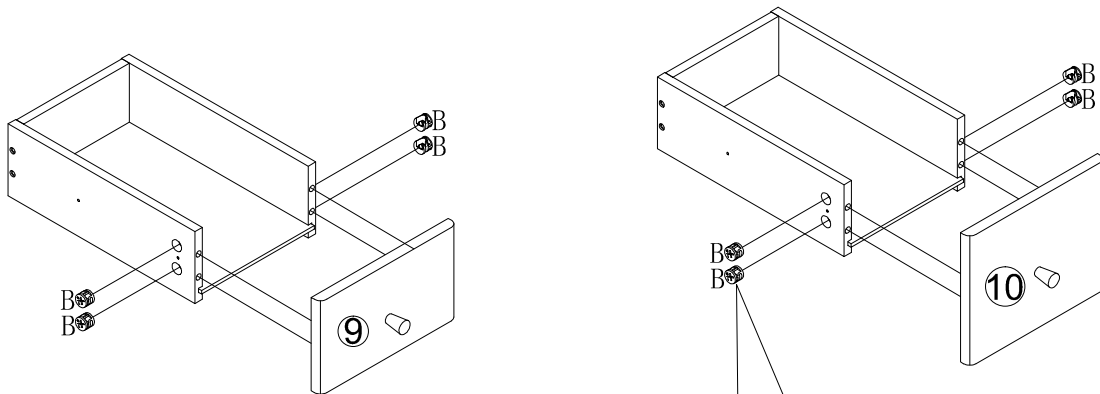
**x2**

# STEP 13



**x2**

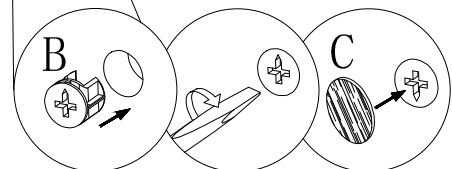
# STEP 14



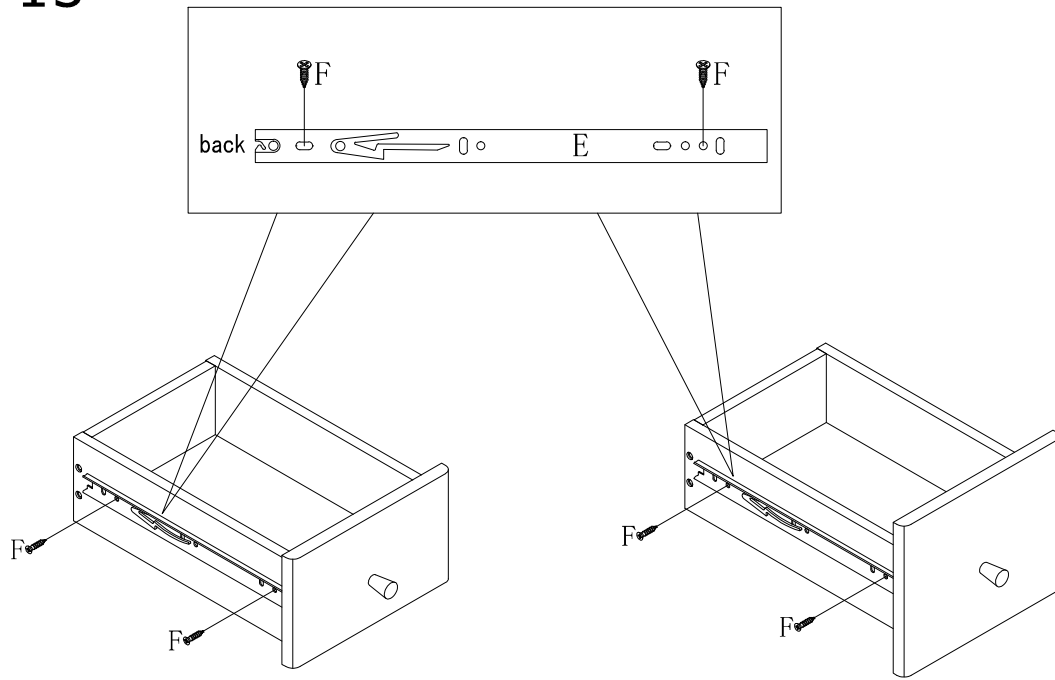
No. B  
Quantity: 8 Pcs  
Ø15



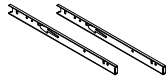
No. C  
Quantity: 8 Pcs  
Ø20



# STEP 15



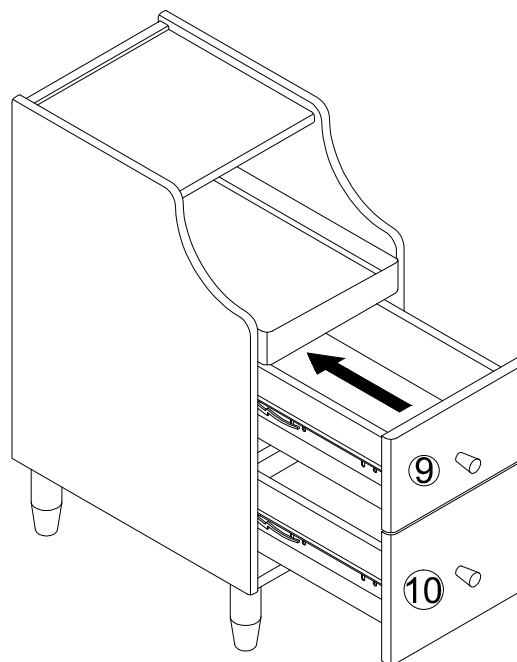
No. E  
Quantity: 2 Sets  
10"



No. F  
Quantity: 8 Pcs  
M3.5\*12mm



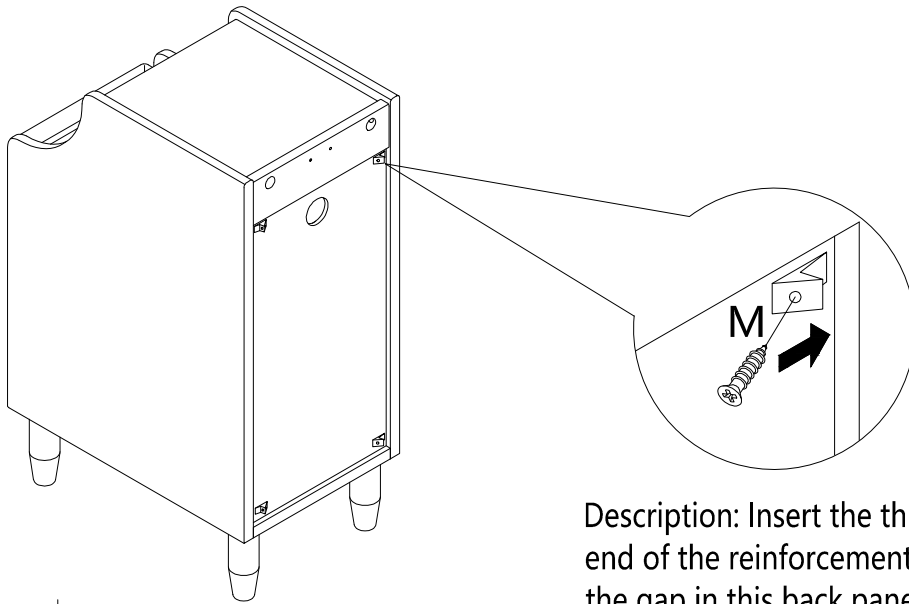
# STEP 16



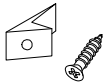
## STEP 17



“DO NOT skip Step 16. The Plastic Wedges (M) are crucial for the stability of the cabinet.”

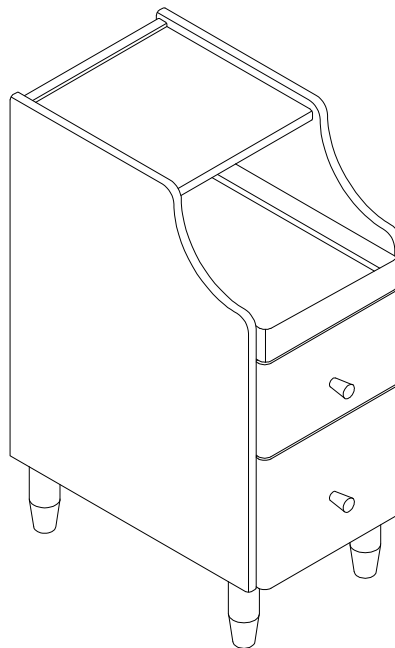


No. M  
Quantity: 4 Sets



Description: Insert the thinner end of the reinforcement into the gap in this back panel, then tighten the screws. This will make the cabinet more stable.

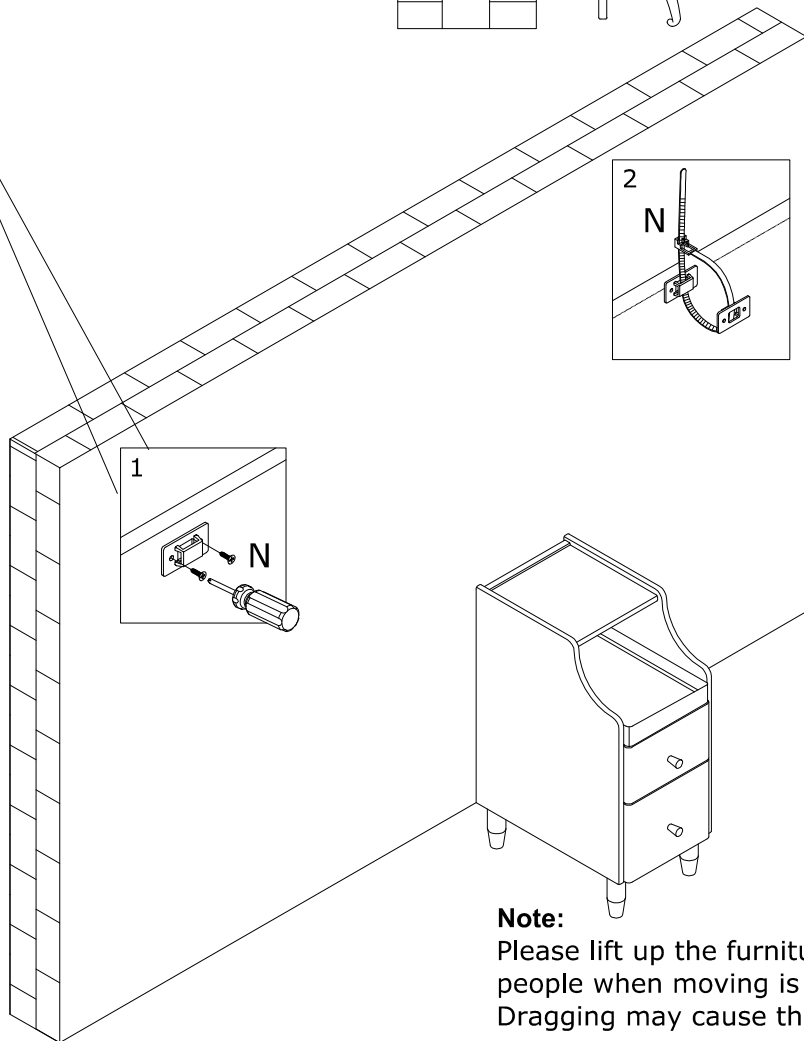
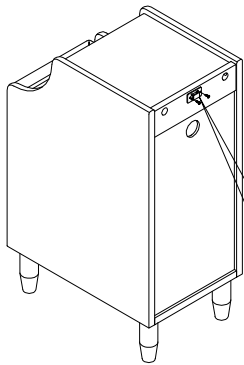
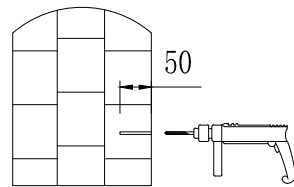
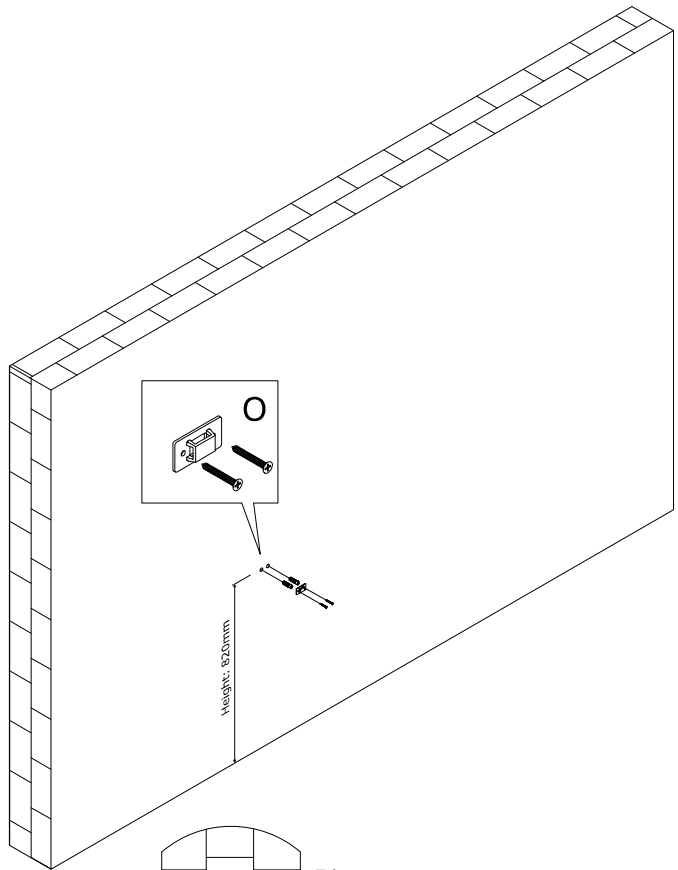
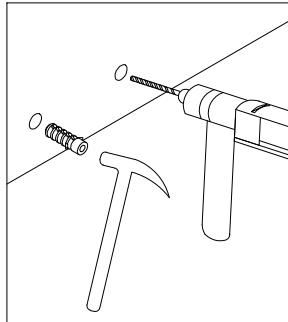
## STEP 18



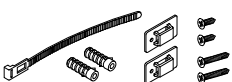
# STEP 19



**WARNING: ALWAYS LIFT** the cabinet when moving it. **NEVER DRAG** it across the floor. Dragging will cause the legs to fail and may lead to serious injury or property damage.



No. N  
Quantity: 1 Sets



**Note:**  
Please lift up the furniture by two people when moving is needed. Dragging may cause the legs failure.