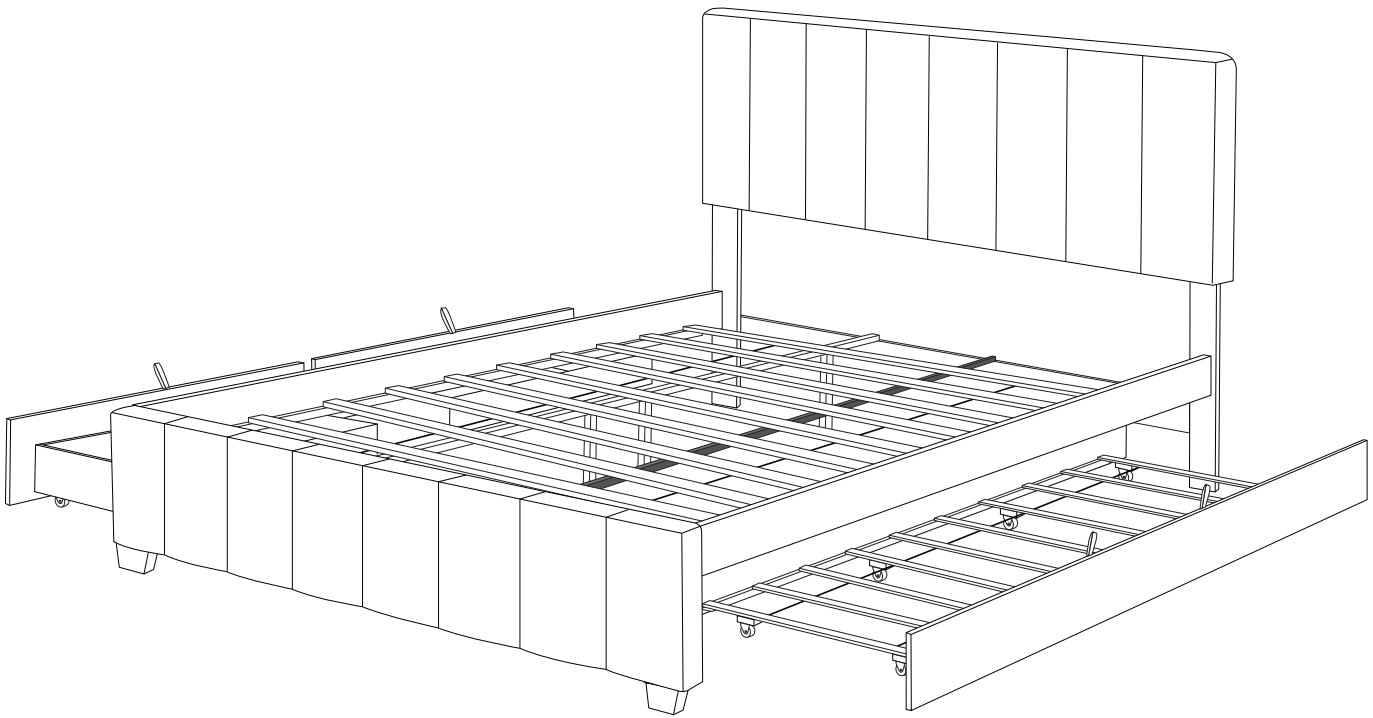


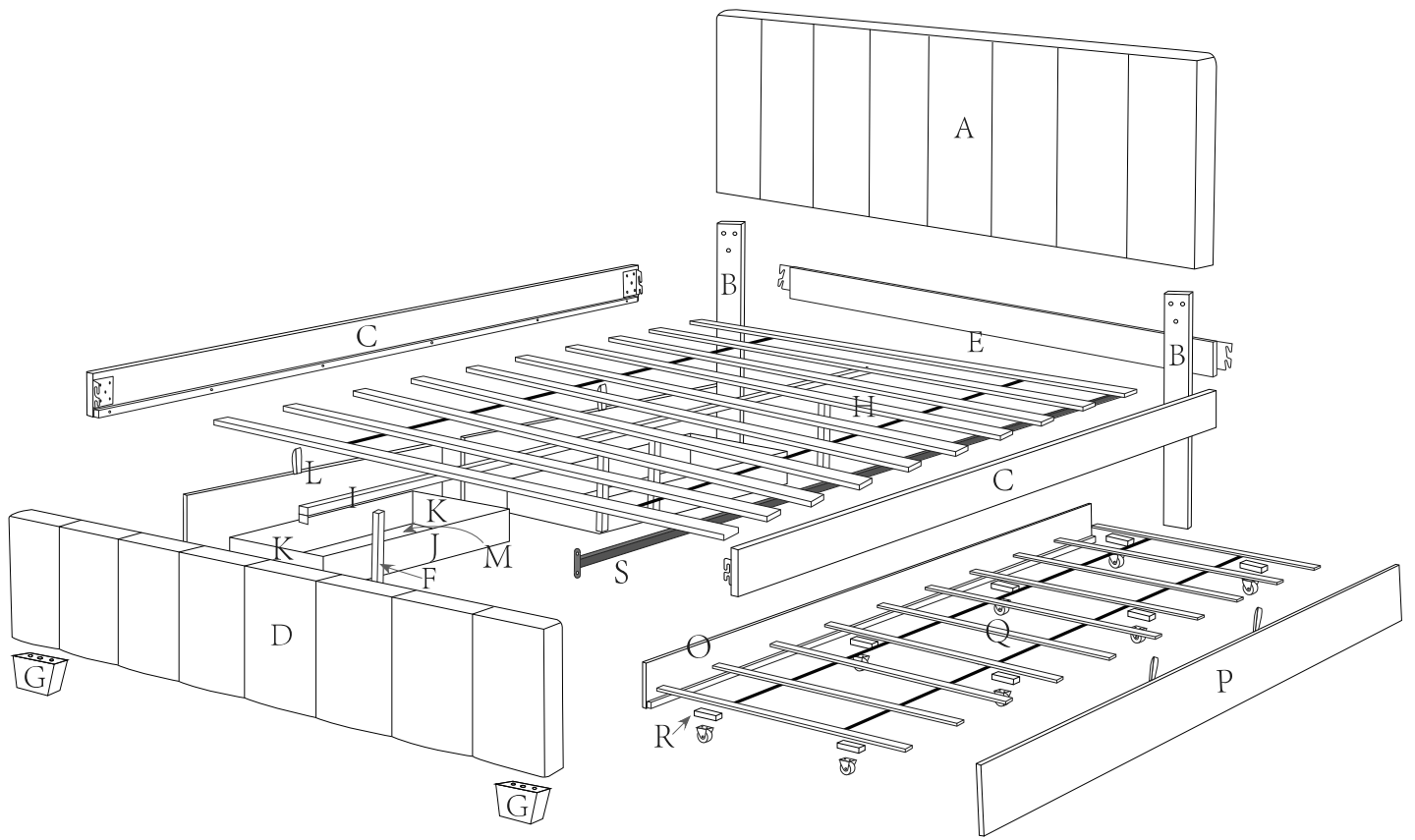
# ASSEMBLY INSTRUCTION

TRUNDLE (QUEEN)

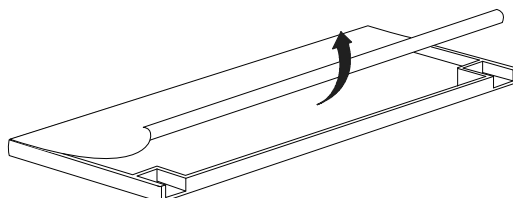
WF532013 / WF532014

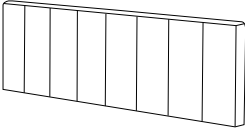
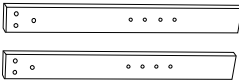

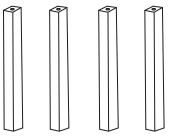
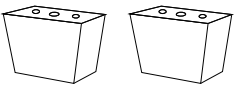
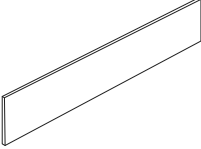
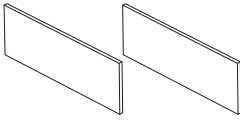
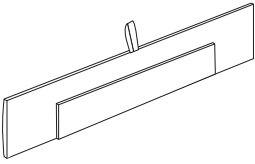
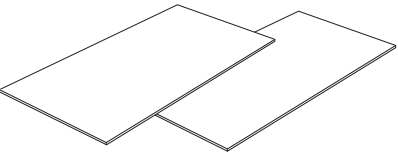


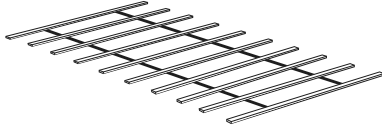
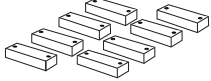
Detail View -

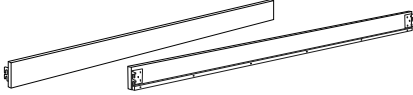
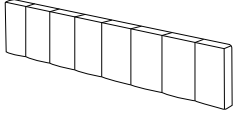
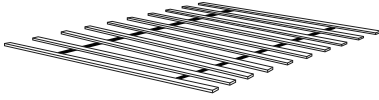

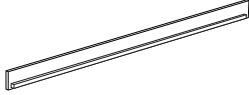
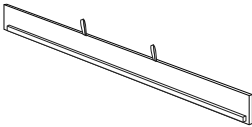



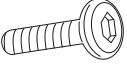
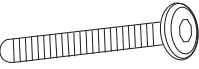
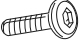

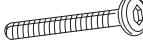
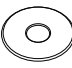



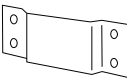

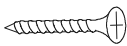
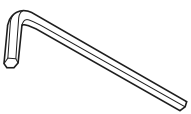
Bed Parts are shipped inside a compartment  
in the back of the headboard.

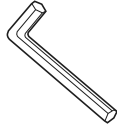



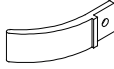



NO	PART LIST (IN CARTON 1 OF 2: WF532013)	QTY
A	Headboard 	1 pc
B	Headboard Leg 	2 pcs
E	Headboard Support Bar 	1 pc
F	Center Support Leg 	4 pcs
G	Bed Leg 	2 pcs
J	Drawer Back Panel 	2 pcs
K	Drawer Side Panel 	4 pcs
L	Drawer Front Panel 	2 pcs
M	Drawer Bottom Panel 	2 pcs

NO	PART LIST (IN CARTON 1 OF 2: WF532013)	QTY
Q	Trundle Bed Slat 1 Set = 10 pcs 	1 Set
R	Trundle Slat Cube 	8 pcs

NO	PART LIST (IN CARTON 2 OF 2: WF532014)	
C	Side Rail 	2 pcs
D	Footboard 	1 pc
H	Bed Slat Queen 1 Set = 10 pcs 	1 Set
I	Center Support Rail 	1 pc
O	Trundle Long Panel (i) 	1 pc
P	Trundle Long Panel (ii) 	1 pc
S	Metal Center Rail 	1 pc

NO	HARDWARE LIST (IN CARTON 1 OF 2: WF532013)	QTY
1	JCBB M8 x 25mm 	12 pcs
2	JCBB M8 x 70mm 	4 pcs
3	JCBC M6 x 20mm 	2 pcs
4	JCBC M6 x 45mm 	8 pcs
5	JCBC M6 x 70mm 	2 pcs
6	Flat Washer M6 	7 pcs
7	Dowel M8 	4 pcs
8	Barrel Nut M8 	4 pcs
9	CSK M4 x 20mm 	10 pcs
10	U-Bracket 	1 pc
11	CSK M3.5 x 16mm 	32 pcs
12	CSK M4 x 30mm 	40 pcs
13	Allen Key M4(100mm) 	1 pc

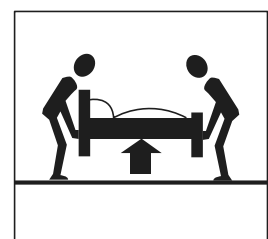
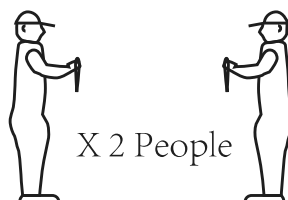
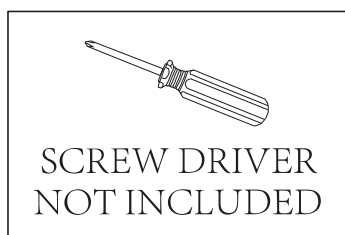
NO	HARDWARE LIST (IN CARTON 1 OF 2: WF532013)	QTY
14	Allen Key M5(65mm) 	1 pc
15	CSK M4 x 38mm 	16 pcs
16	Wheel 	16 pcs
17	CSK M4 x 32mm 	16 pcs
18	Stopper 	6 pcs
19	Flat Washer M8 	4 pcs

\*Extra hardware provided.

Read this instruction carefully. Remove all wrapping material, staples and straps from the carton. See hardware and furniture part list for guidance. Be sure you have all wooden furniture parts on a clean and flat surface, such as carpet or rug, to prevent from being scratched.

**CAUTION :**

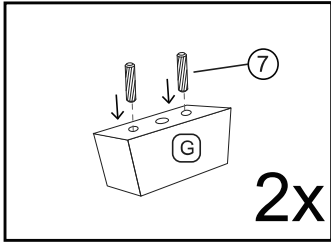
1. Do not Full Tighten the nut or screw until all ready to assemble.
2. Do not Over Tighten the nut or screw to avoid causing damages to the thread.
3. Keep all hardware part out reach of children.



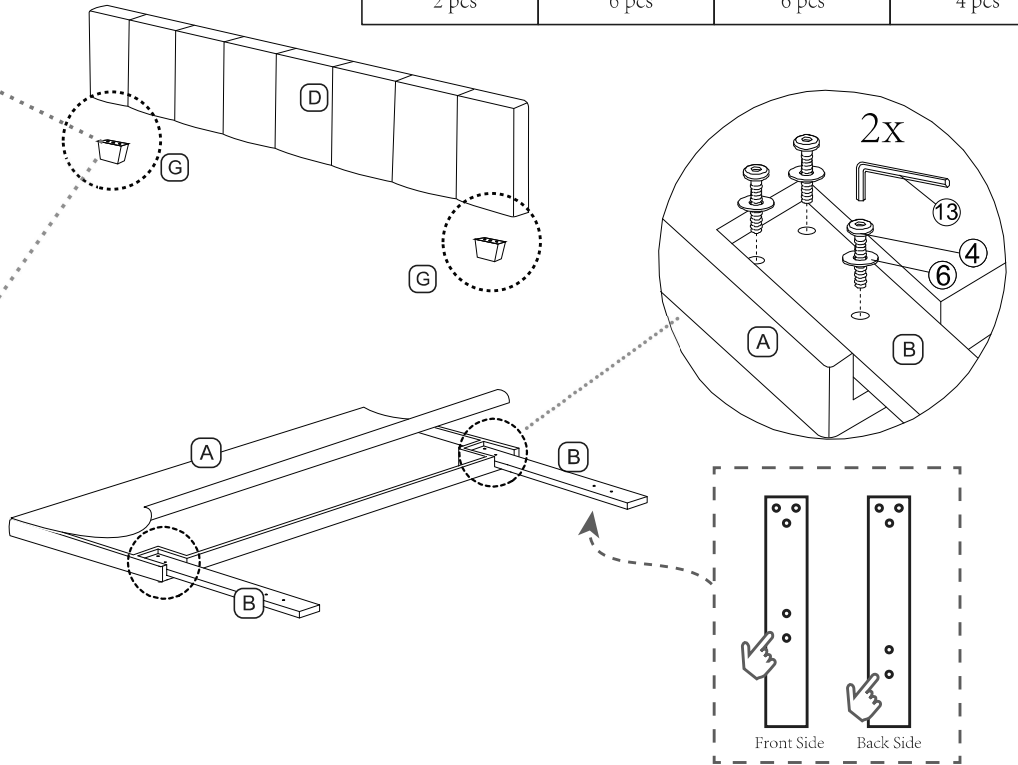
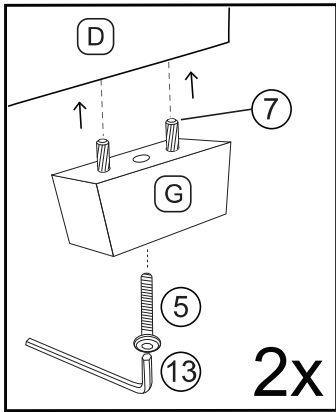
STEP 1

5	4	6	7
2 pcs	6 pcs	6 pcs	4 pcs

STEP 1.1



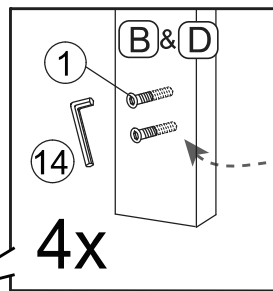
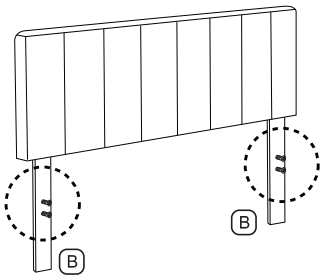
STEP 1.2



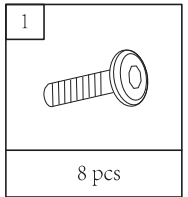
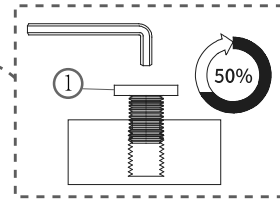
Note: Make sure the position are facing the same direction

STEP 2

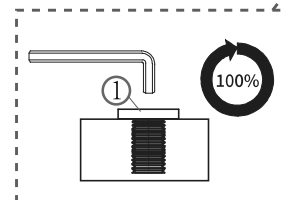
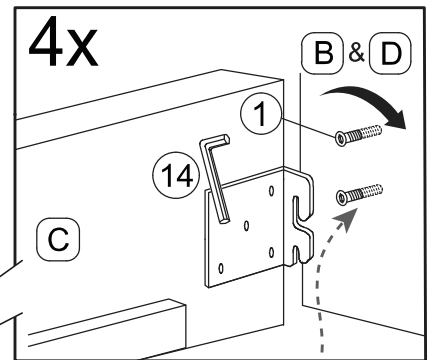
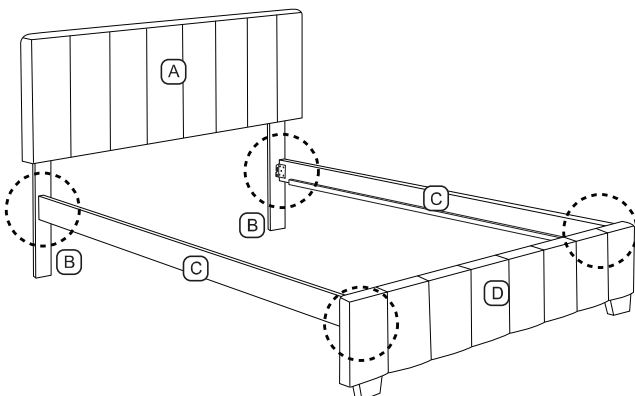
STEP 2.1



⚠ Do not fully tighten screws before completing step 2.2



STEP 2.2

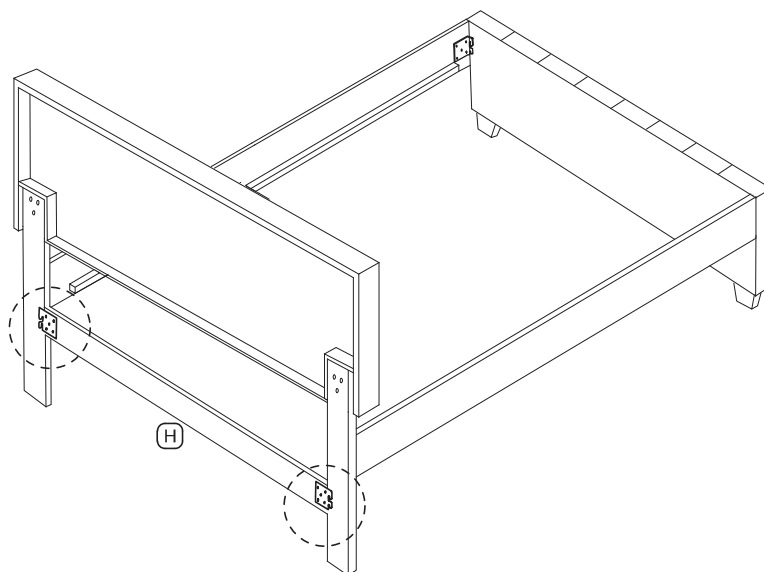


STEP 3

1

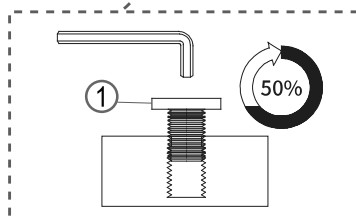
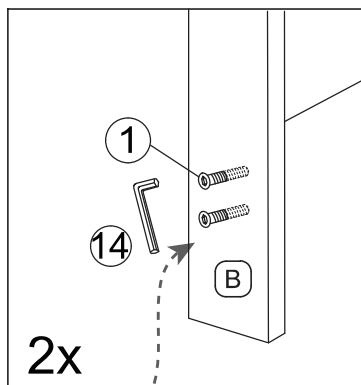


4 pcs

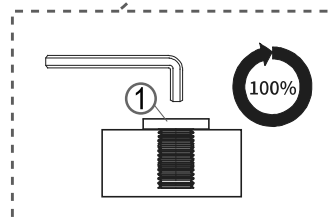
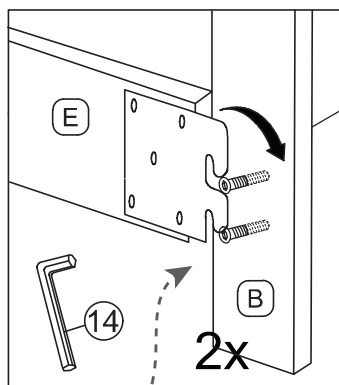


Do not fully tighten screws before completing step 3.2

STEP 3.1




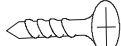
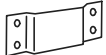


STEP 3.2

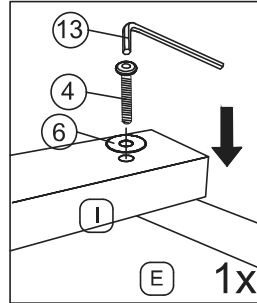


**STEP 4**

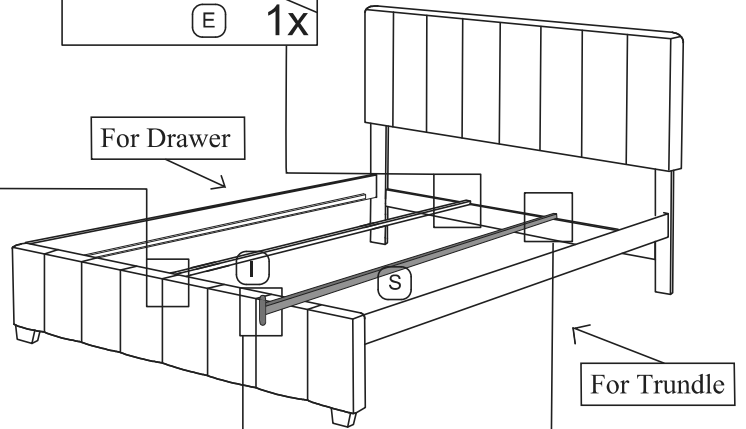
\*Decide the side for trundle bed & drawers

3 	4 	6 	9 	10 
2 pcs	2 pcs	1 pc	4 pcs	1 pc

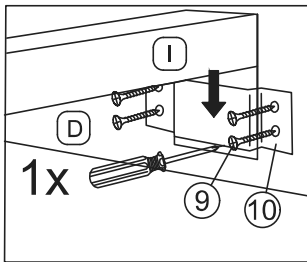
**STEP 4.1**



Option 1

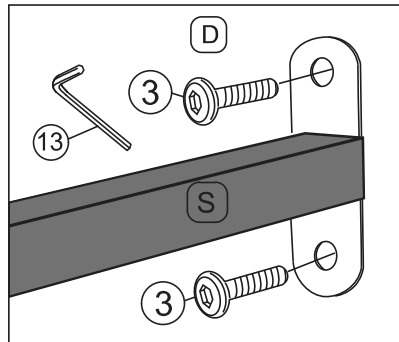


**STEP 4.2**

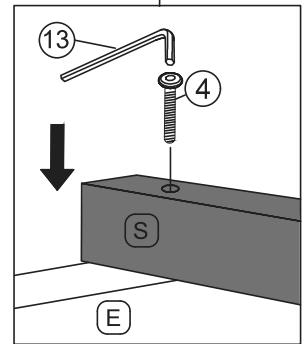


Follow the marking to attach the U-Bracket with Screw 20mm (4PCS) at Footboard.

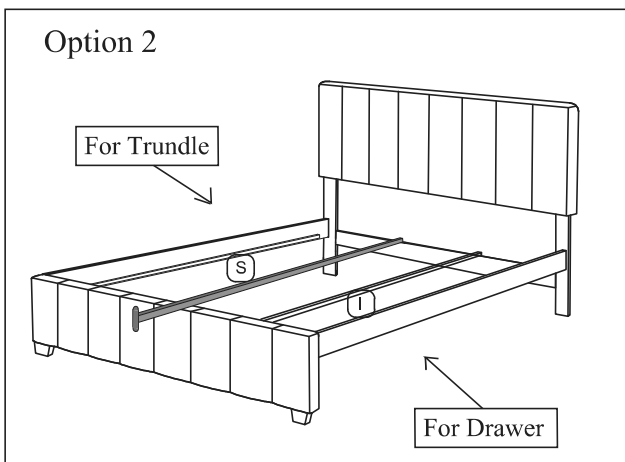
**STEP 4.4**




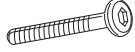

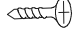
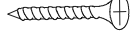

**STEP 4.3**



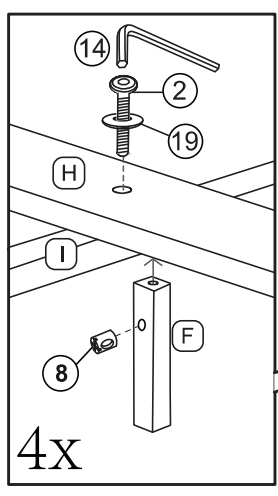
Option 2



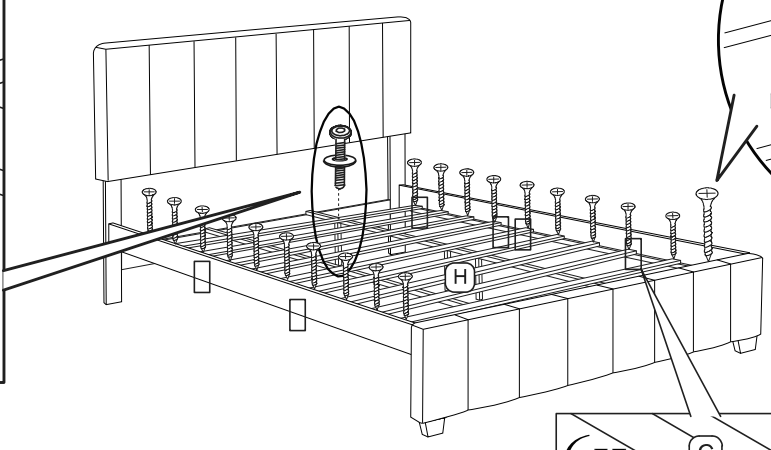
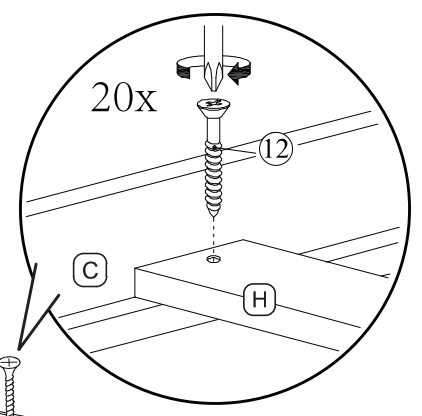
STEP 5

19	2	8	9	12	18
					
4 pcs	4 pcs	4 pcs	6 pcs	20 pcs	6 pcs

STEP 5.1

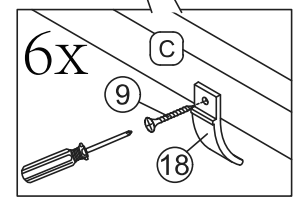


STEP 5.2

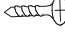
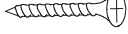

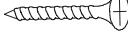


STEP 5.3

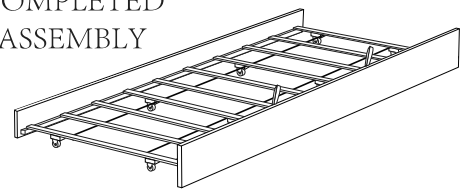
Optional:  
Add drawer stopper  
(2 drawer stopper for  
each drawer and trundle)



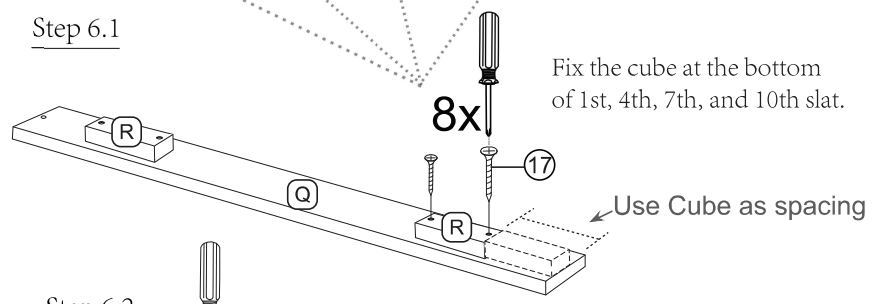
STEP 6 Trundle Bed x 1 pc

11	12	16	17
			
16 pcs	20 pcs	8 pcs	16 pcs

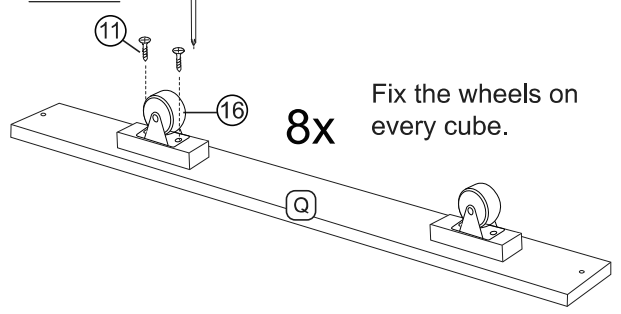
COMPLETED  
ASSEMBLY



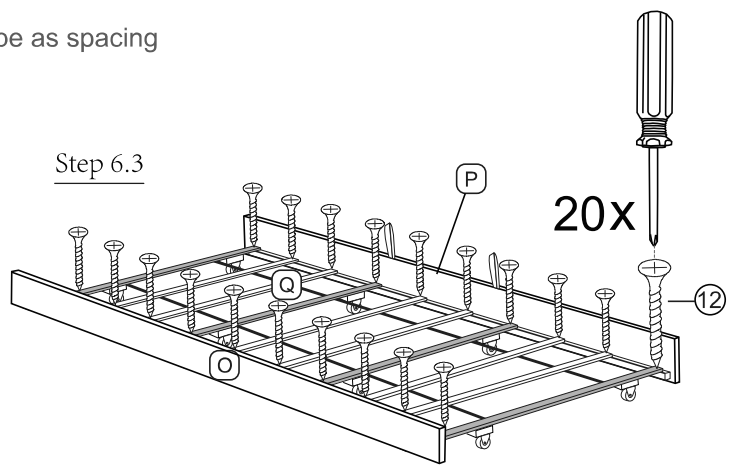
Step 6.1



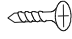
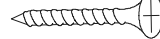

Step 6.2



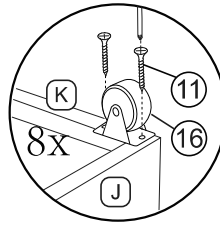
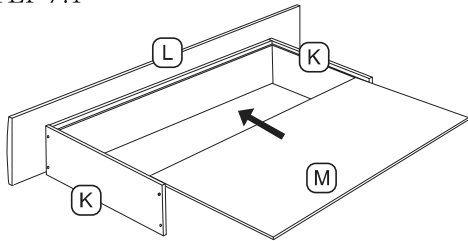
Step 6.3



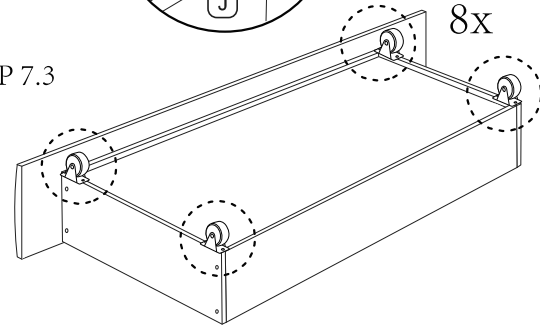
STEP 7 Drawer x 2 pcs

11	15	16
		
16 pcs	16 pcs	8 pcs

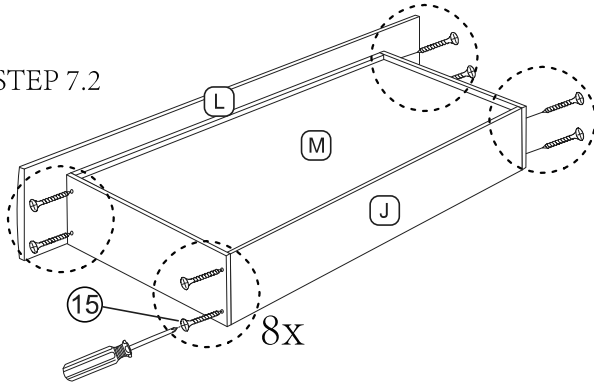
STEP 7.1



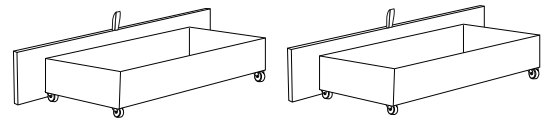
STEP 7.3



STEP 7.2



COMPLETED ASSEMBLY



Lastly, place the trundle bed & drawers inside.

COMPLETED ASSEMBLY

