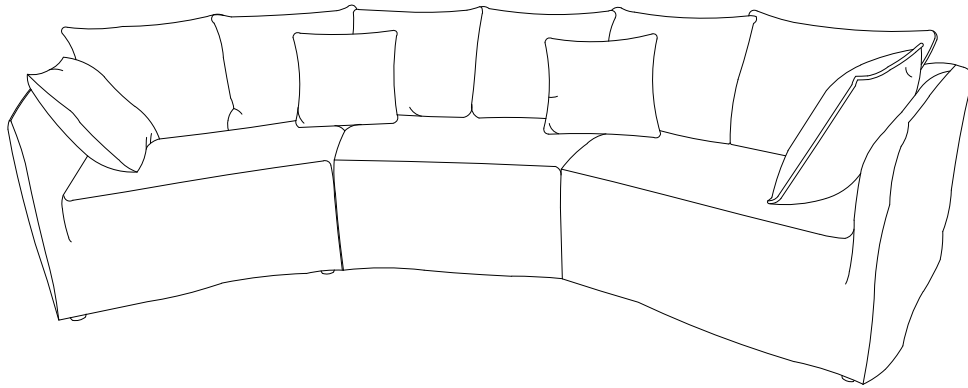


# ASSEMBLY INSTRUCTION

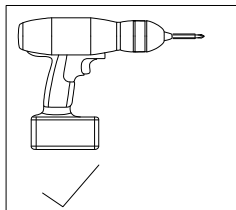


## IMPORTANT NOTE

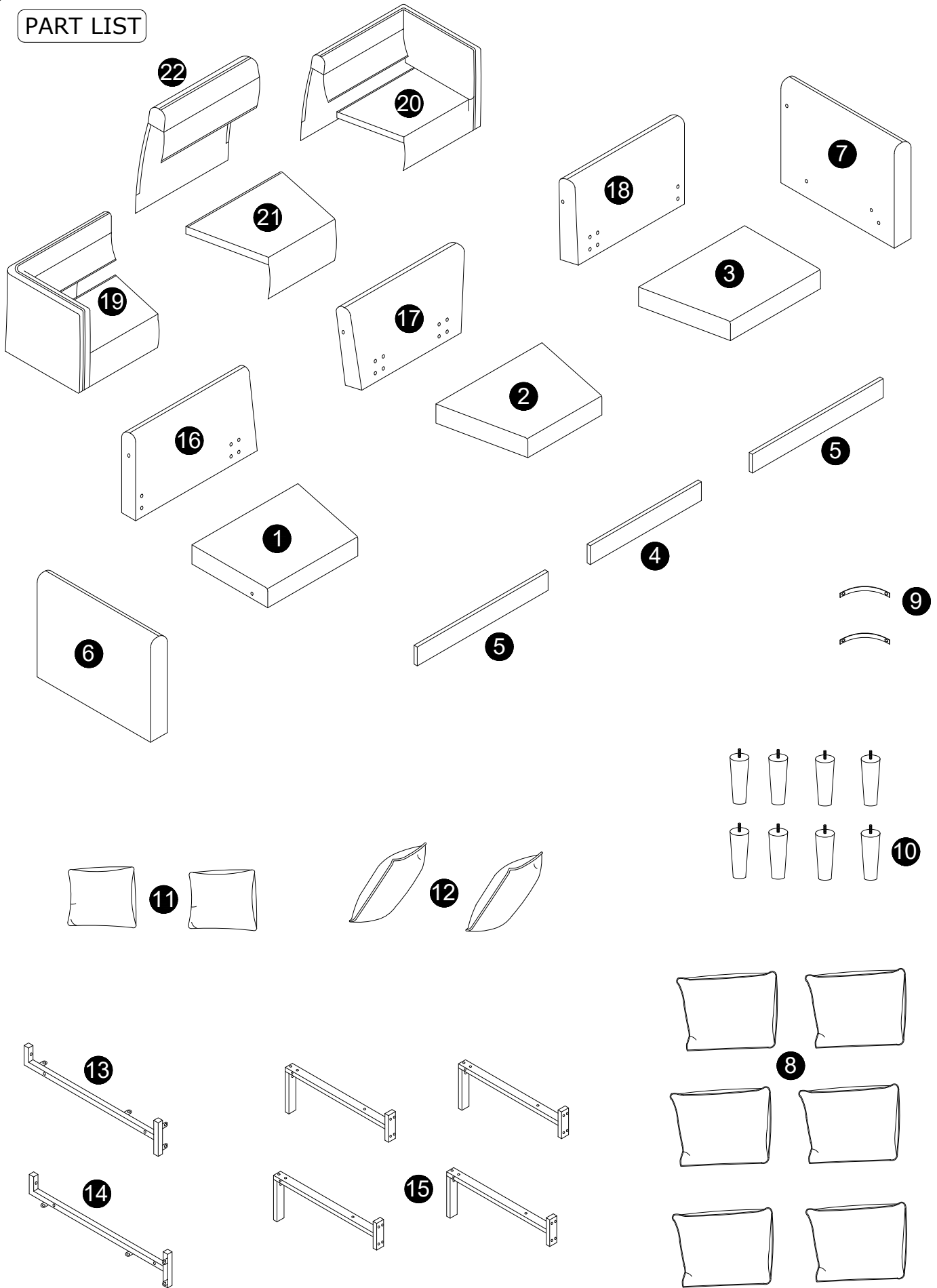
1. For the protection of your furniture, place all parts on a clean and smooth surface to prevent any damage.
2. Keep fittings out of children's reach and keep children well away from construction area.
3. When moving your assembled sofa, it is best to lift the sofa and never to drag it.
4. Do not use this product if parts are missing, damaged or worn.
5. This product should only be used on firm, level ground.
6. Please periodically check all fittings and re-tighten as necessary.
7. Do not use the sofa unless all bolts and screws are firmly secured.





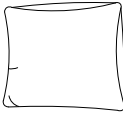
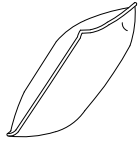
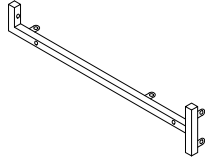
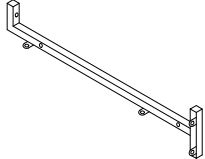
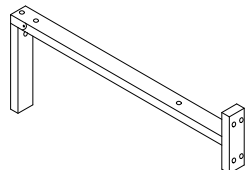
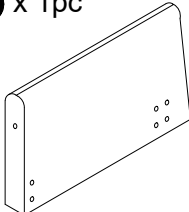
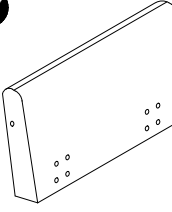
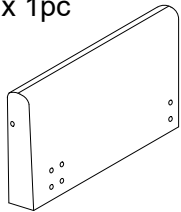
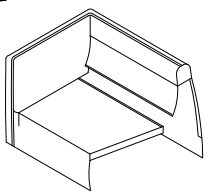
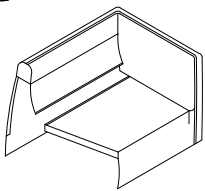
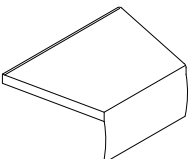
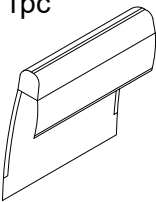
Minimum two  
person assembly



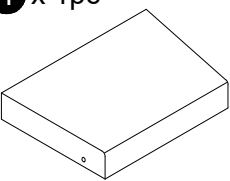
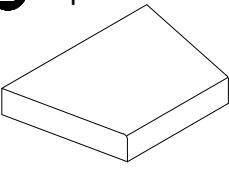
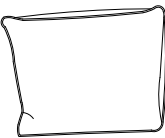
PART LIST



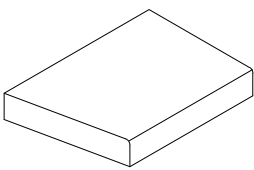
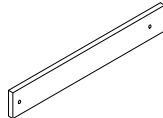
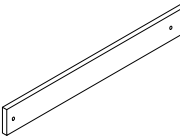
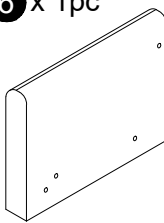
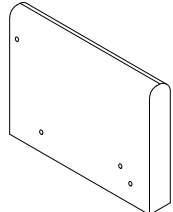

### Components of Carton A

<b>9</b> x 2pcs 	<b>10</b> x 8pcs 	<b>11</b> x 2pcs 	<b>12</b> x 2pcs 	<b>13</b> x 1pc 
<b>14</b> x 1pc 	<b>15</b> x 4pcs 	<b>16</b> x 1pc 	<b>17</b> 	<b>18</b> x 1pc 
<b>19</b> x 1pc 	<b>20</b> x 1pc 	<b>21</b> x 1pc 	<b>22</b> x 1pc 	

### Components of Carton B


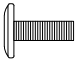

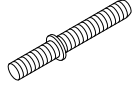



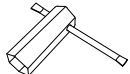
<b>1</b> x 1pc 	<b>2</b> x 1pc 	<b>8</b> x 4pcs 		
--	--	---	--	--

### Components of Carton C

<b>3</b> x 1pc 	<b>4</b> x 1pc 	<b>5</b> x 2pcs 	<b>6</b> x 1pc 	<b>7</b> x 1pc 	<b>8</b> x 2pcs 
---	---	--	---	---	--

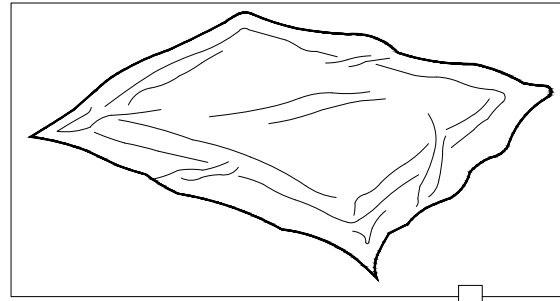
### HARDWARE LIST

### Components of Carton A

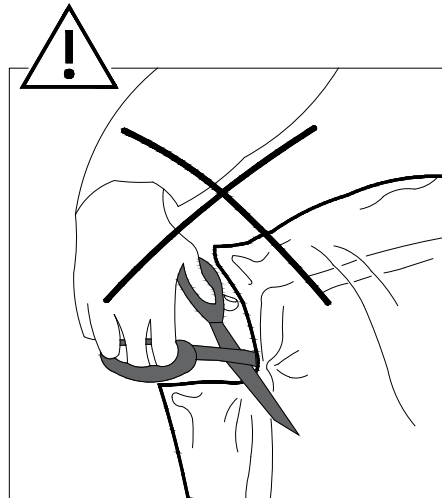
 <b>H1</b> M5 x 1pc	 <b>H2</b> M8x20mm x 12pcs	 <b>H3</b> M8x45mm x 34pcs	 <b>H4</b> M8x80mm x 10pcs
 <b>H5</b> M8 x 30pcs	 <b>H6</b> M8x22mm x 44pcs	 <b>H7</b> M8 x 10pcs	 <b>H8</b> x 1pc

Please ensure to thoroughly inspect the small inner cardboard box containing the hardware, which are tied with a red string, before disposing of the box.

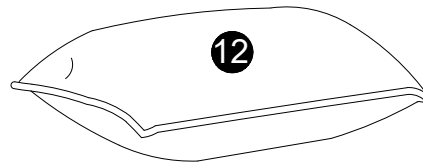
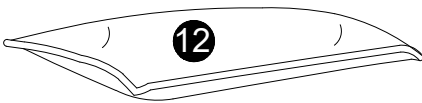
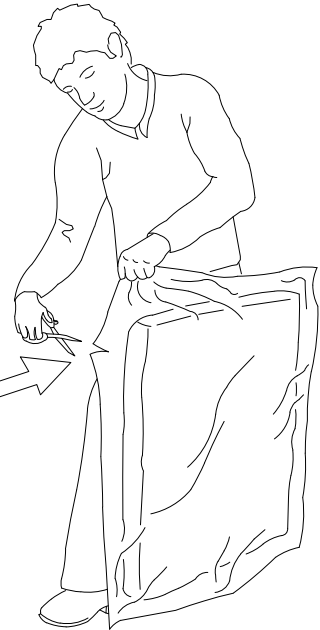
1



8 x6  
11 x2  
12 x2

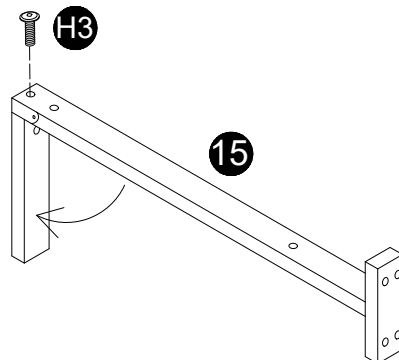


Open the vacuum-sealed bag,  
let the pillow expand and become fluffy,  
and be careful not to damage the pillow.



48h

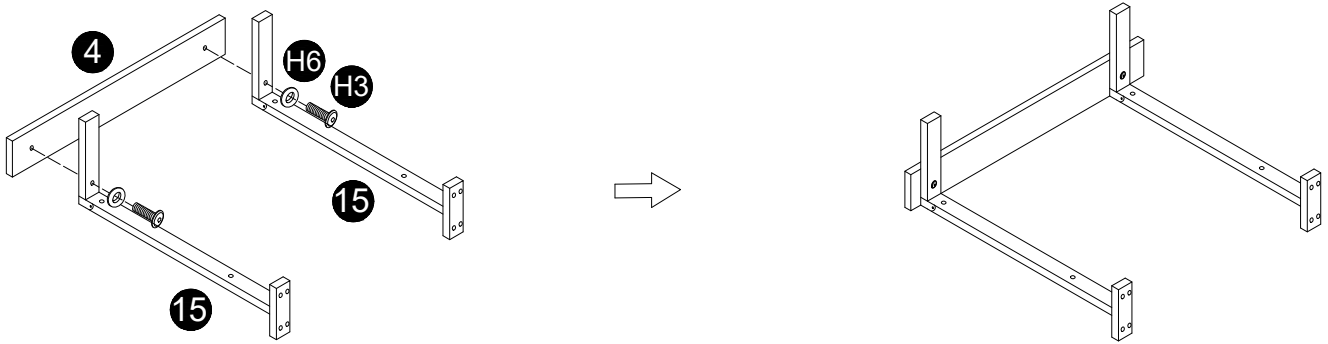
2



x4

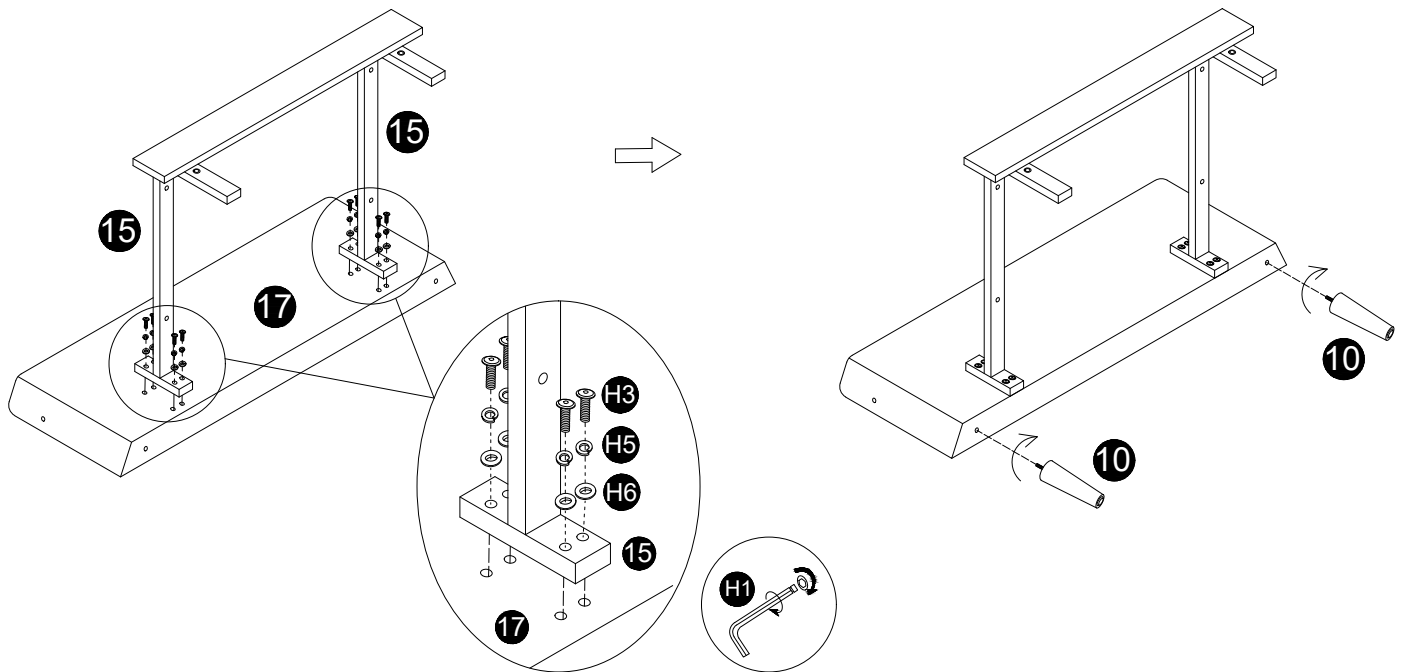
3

Assembly sofa center seat

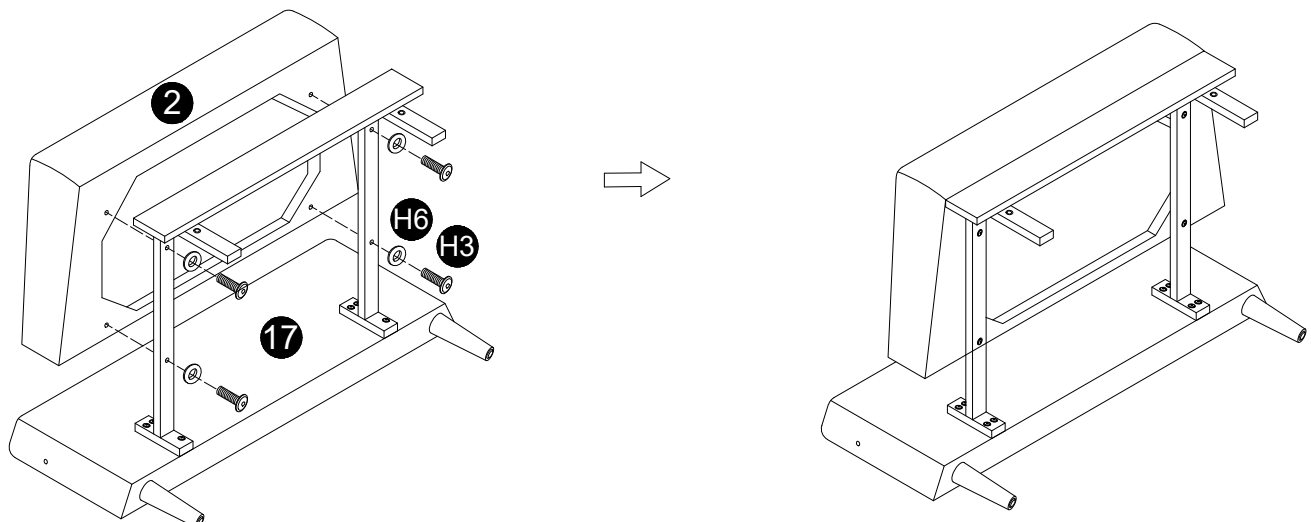


4

Align the screws with the corresponding holes and pre-fix them. Then, tighten each screw separately.

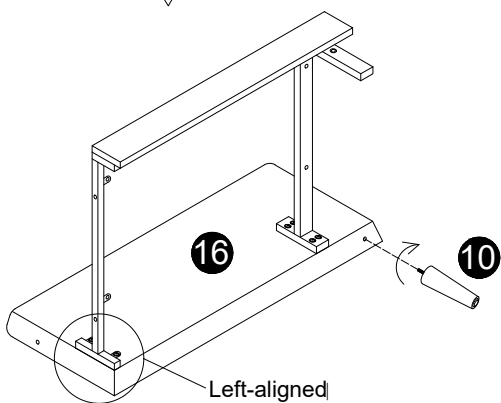
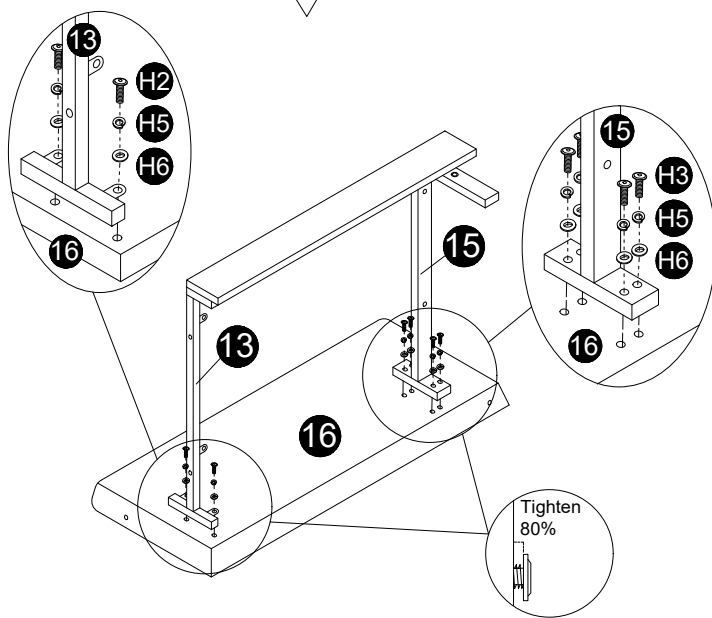
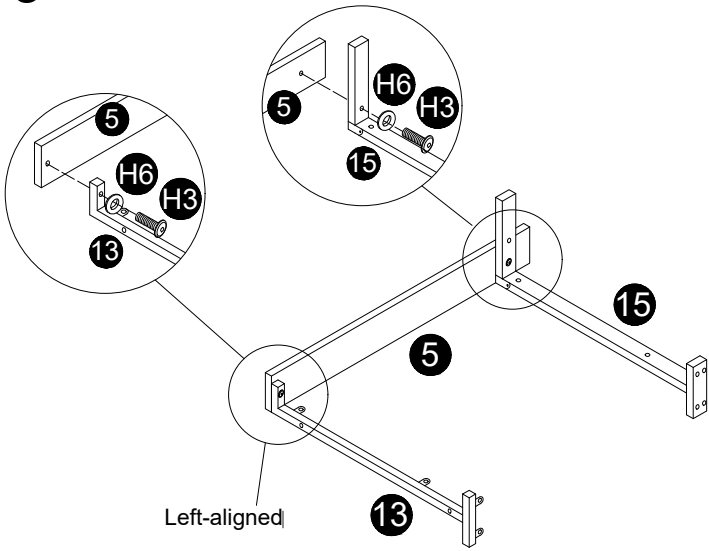


5

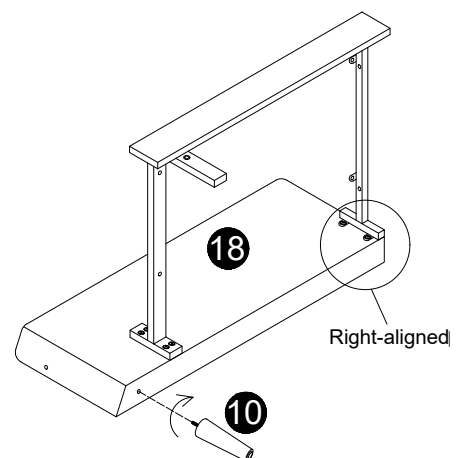
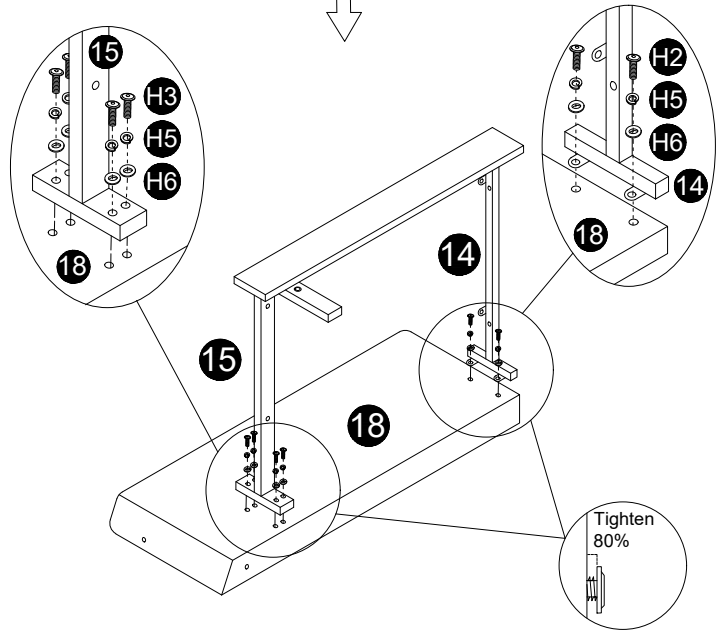
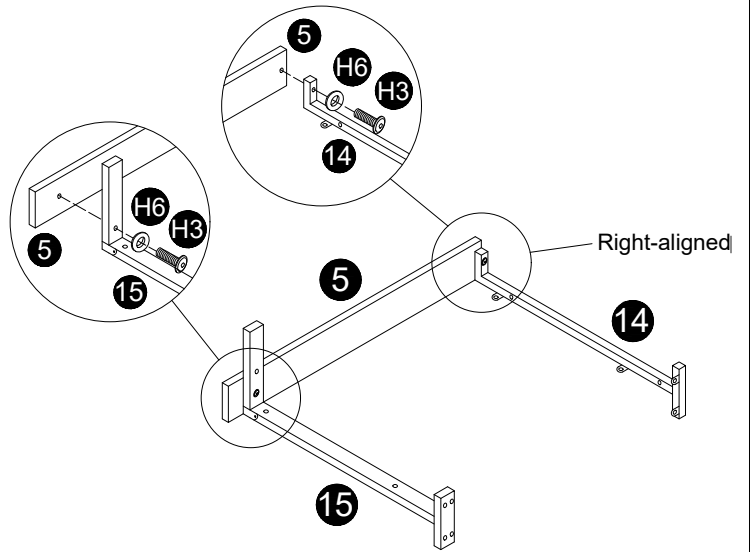


6

Assembly sofa left seat

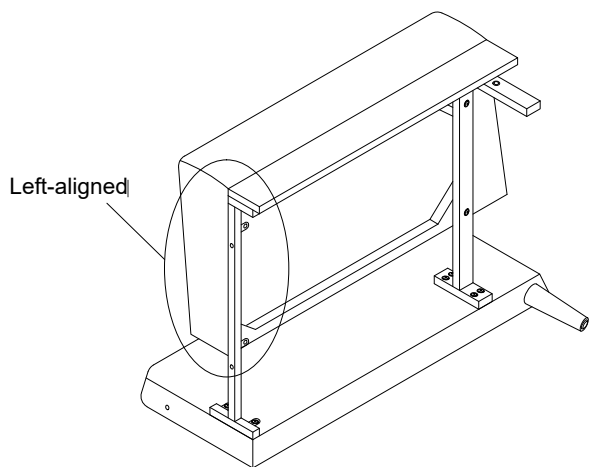
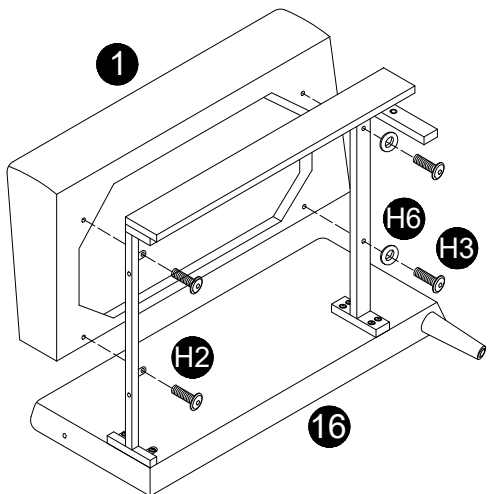


Assembly sofa right seat

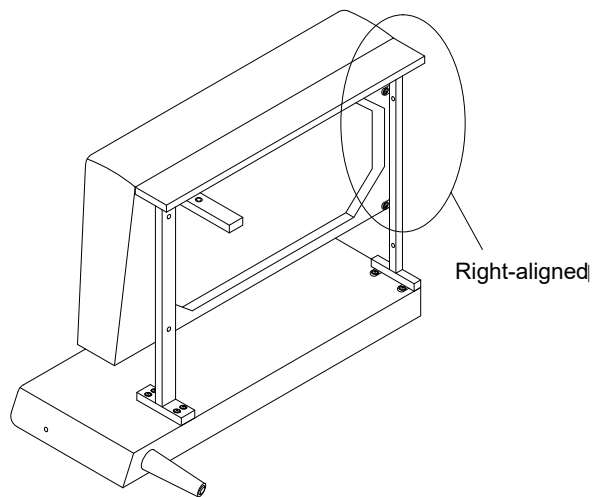
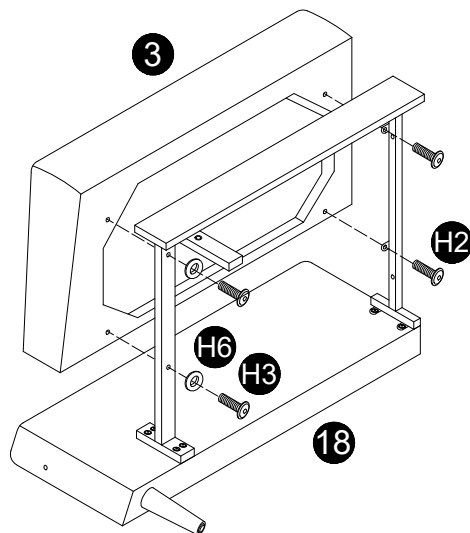


7

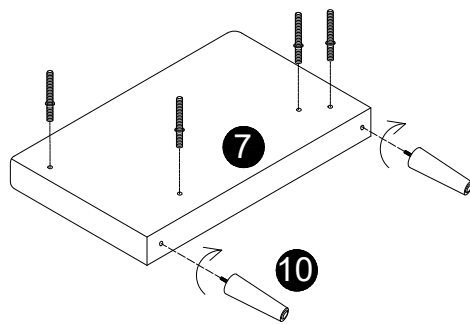
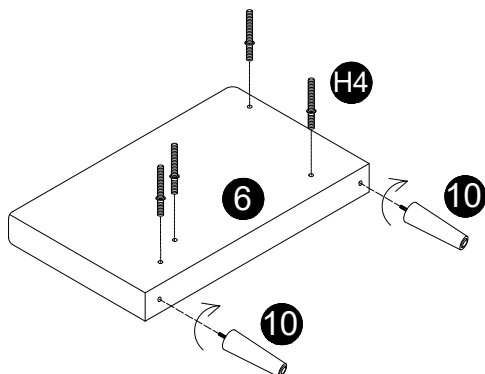
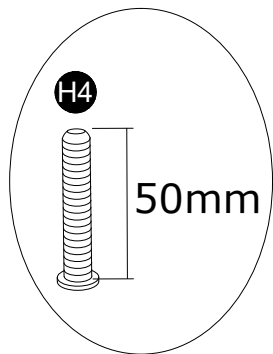
Assembly sofa left seat



Assembly sofa right seat

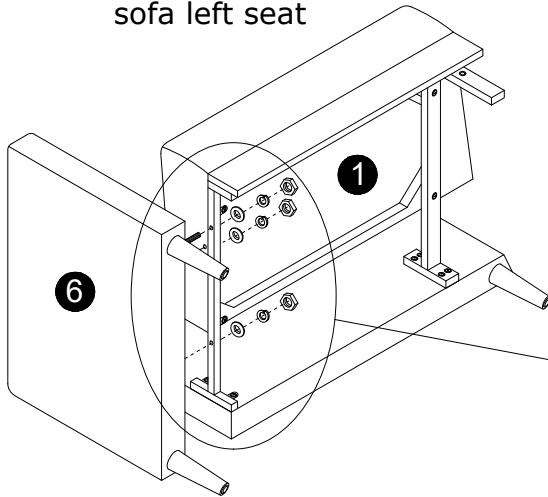


8

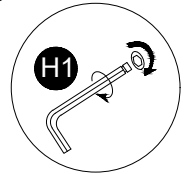
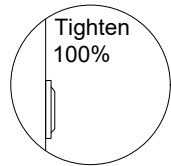
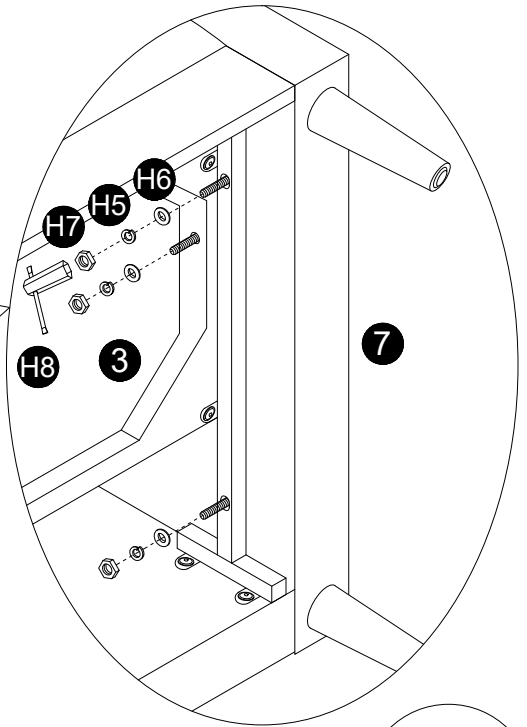
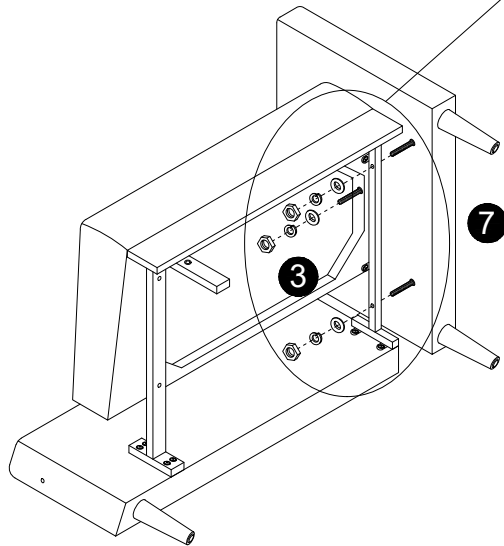


9

sofa left seat

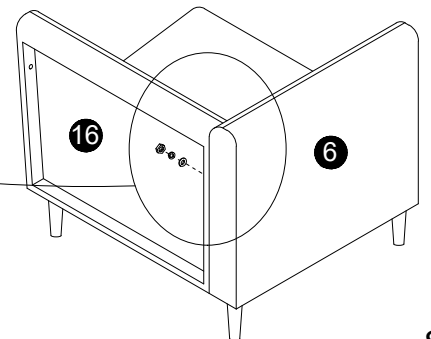
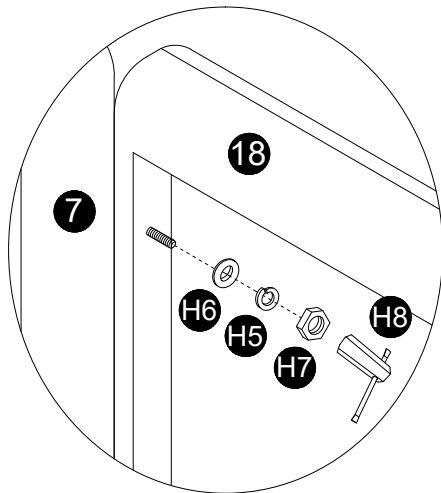
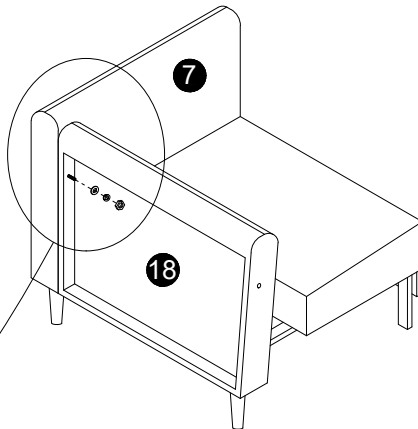


sofa right seat



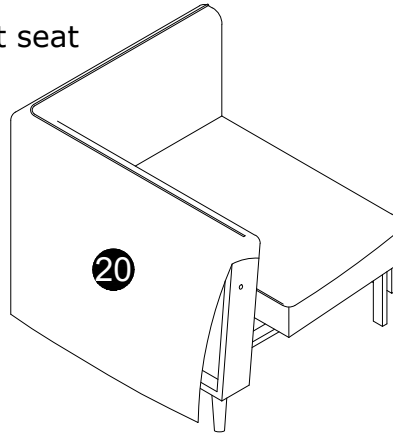
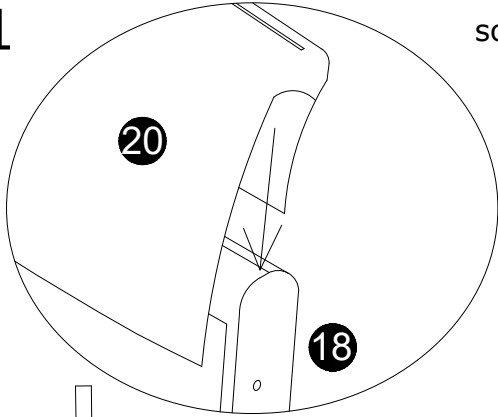
Then, fully tighten step 3 to step 12 all fixings.

10

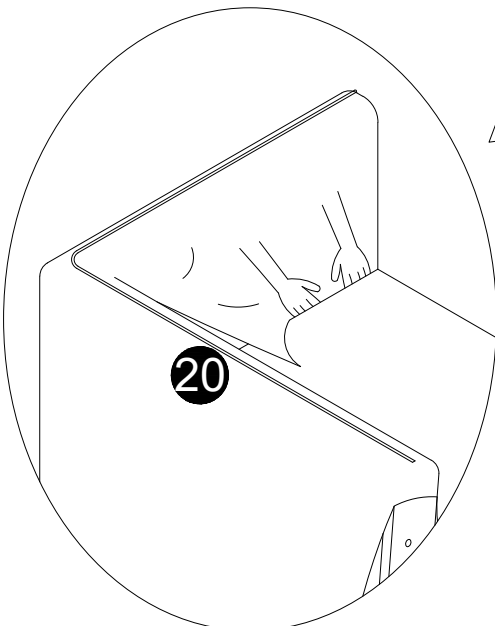
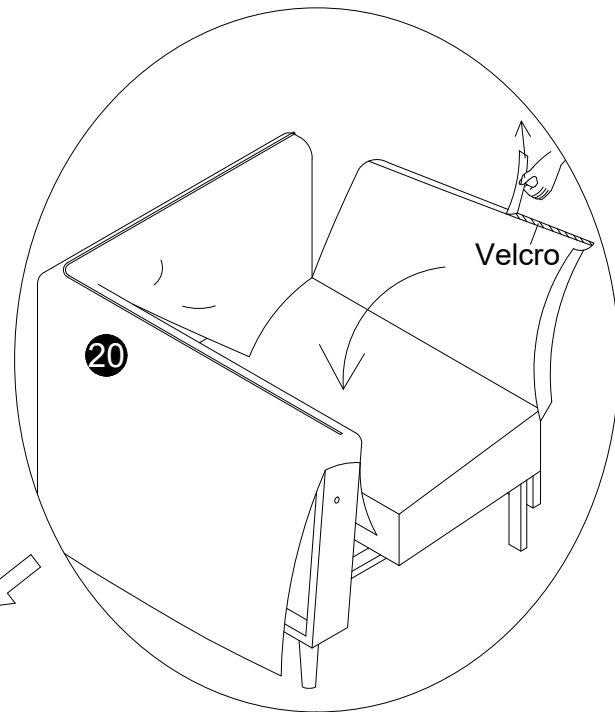
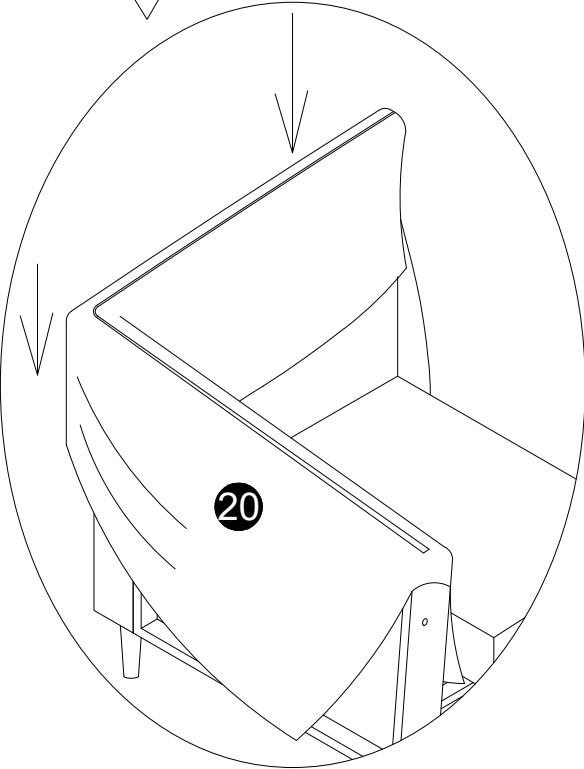
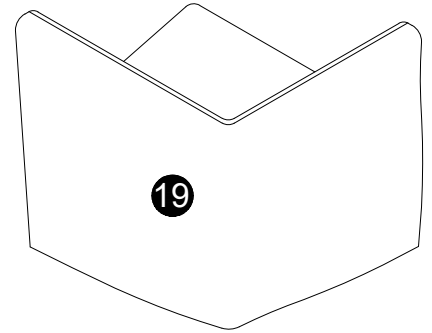


11

sofa right seat

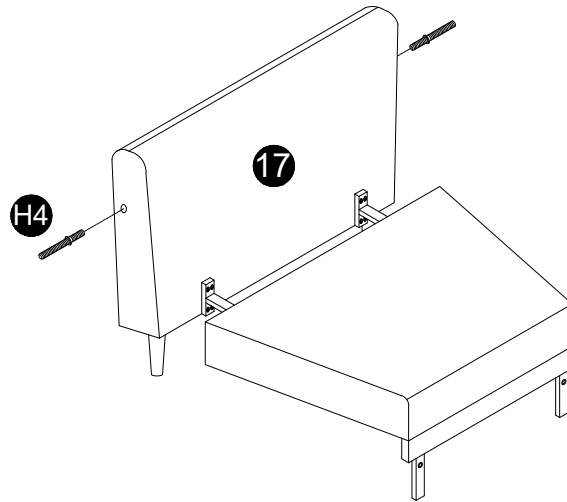
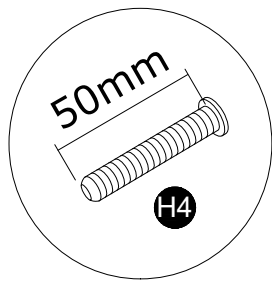


sofa left seat

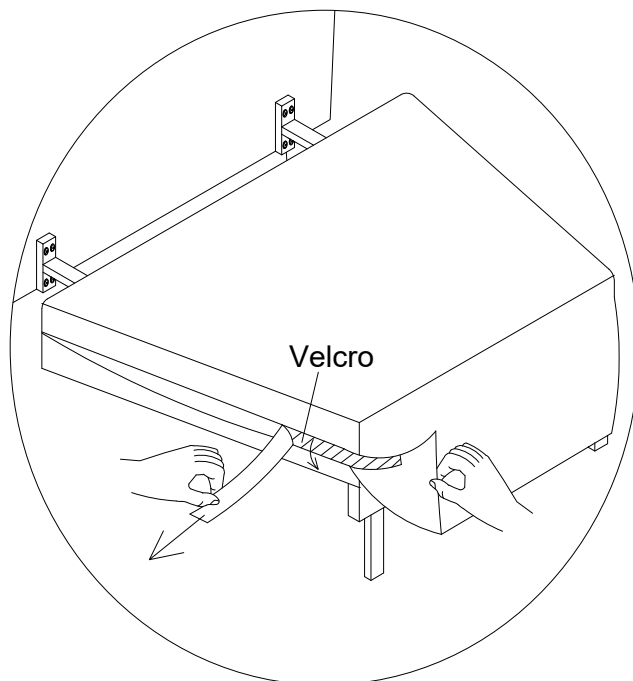
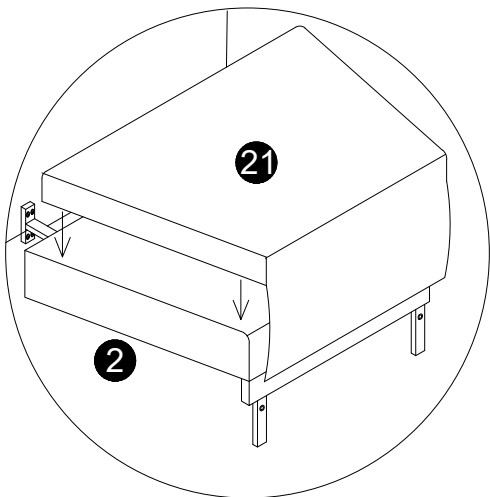
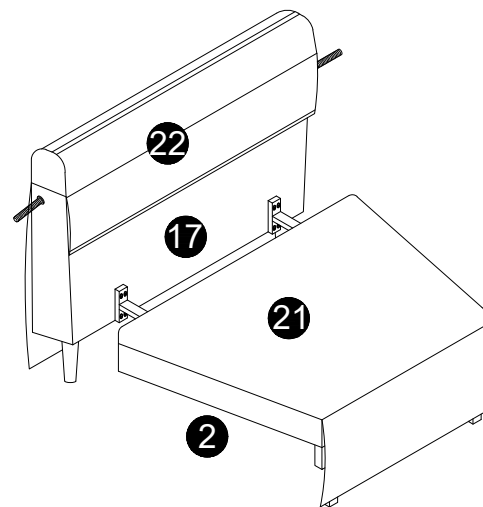
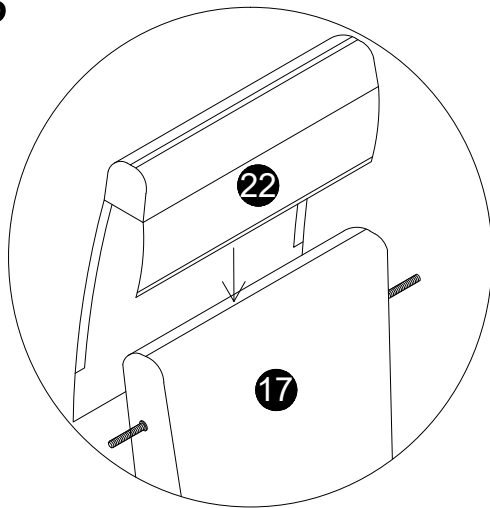


Put on the left seat cushion cover of the sofa using the same procedure.

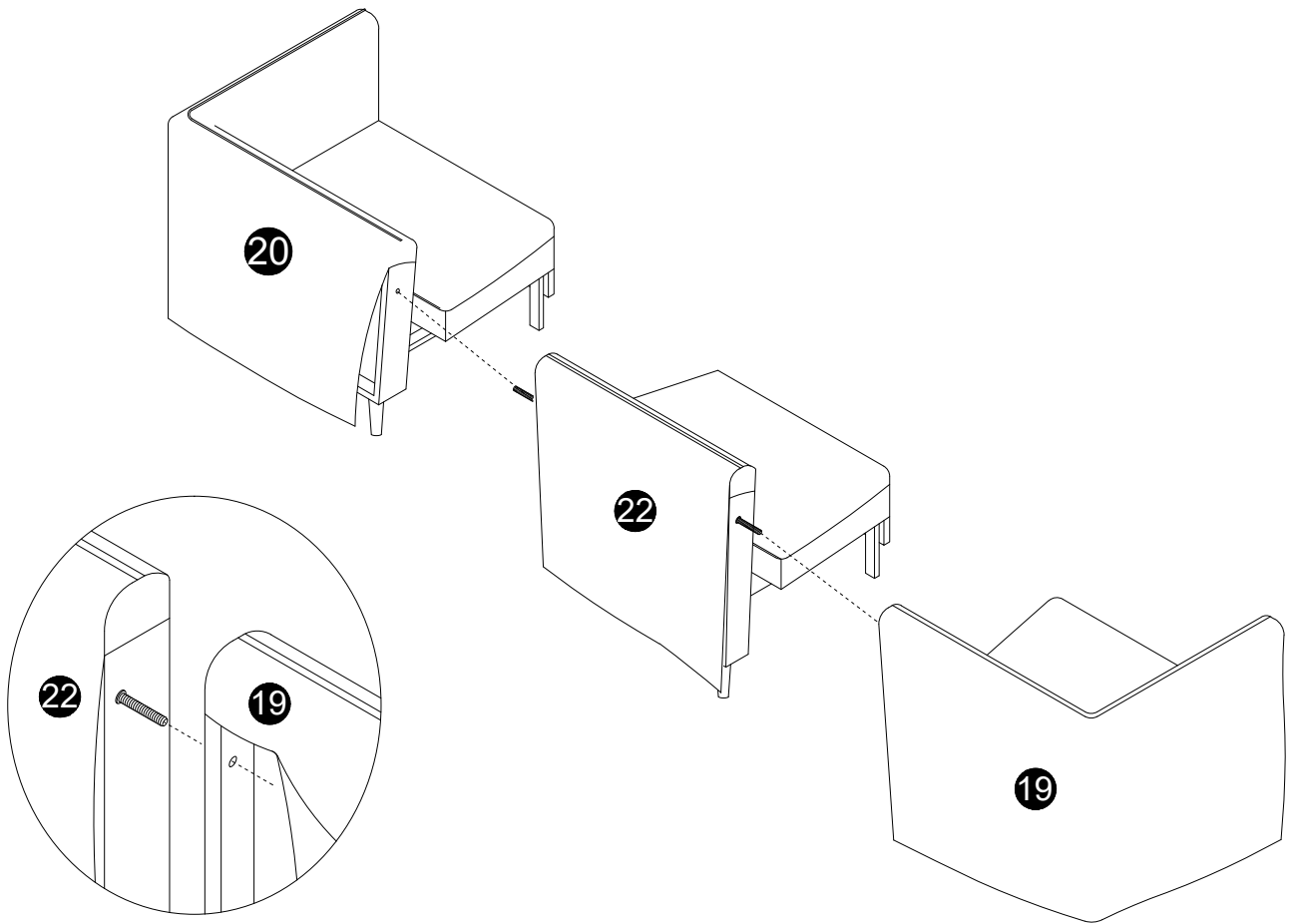
12



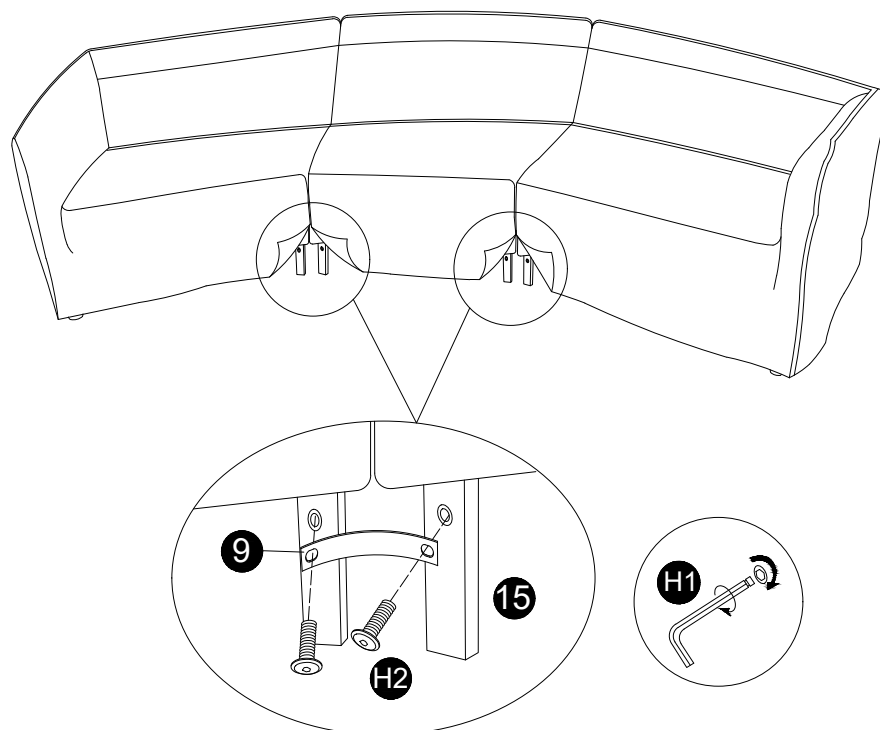
13



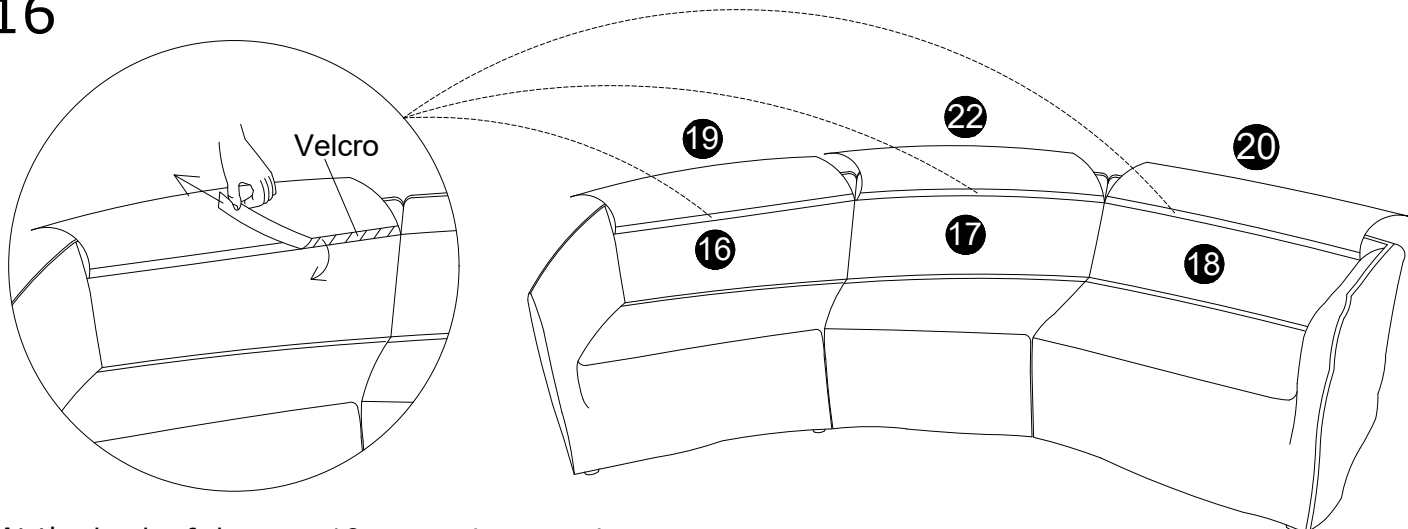
14



15

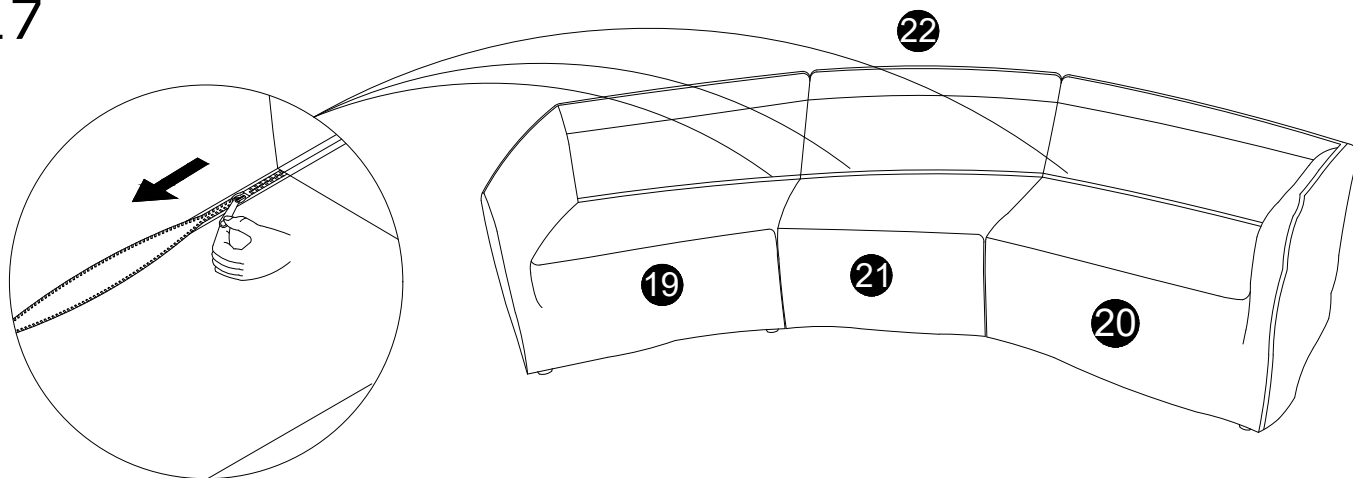


16

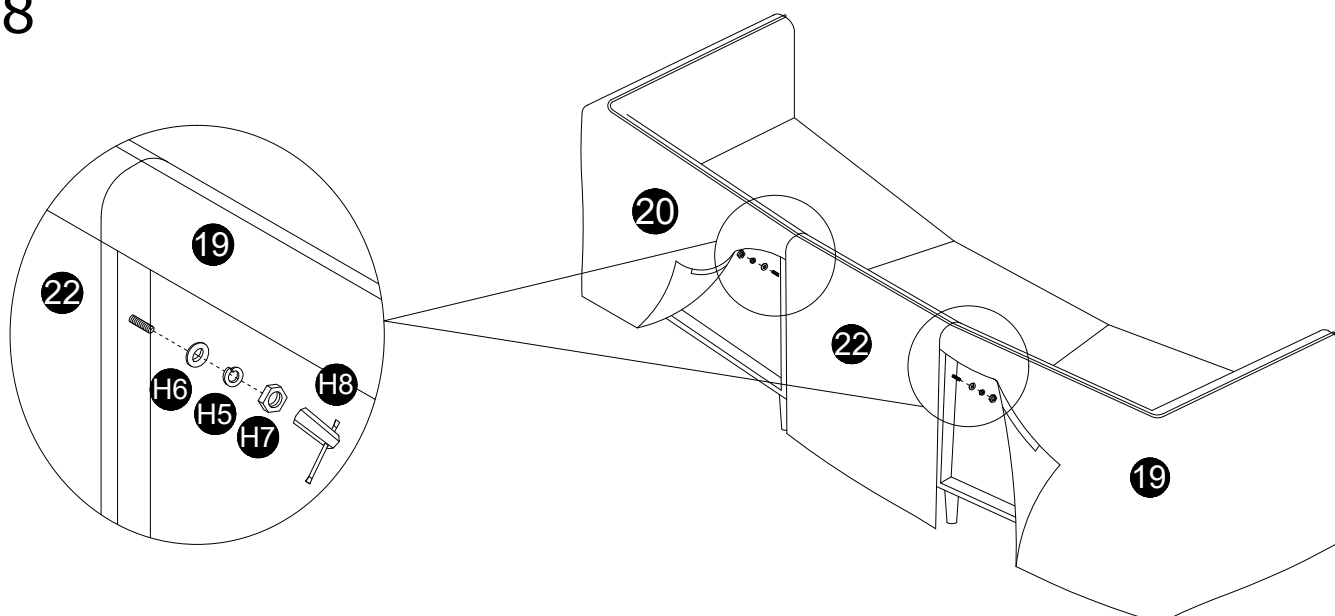


At the back of the part 19, 20 and 22, peel away the fabric strip covering the velcro while pressing the velcro firmly onto the sofa.

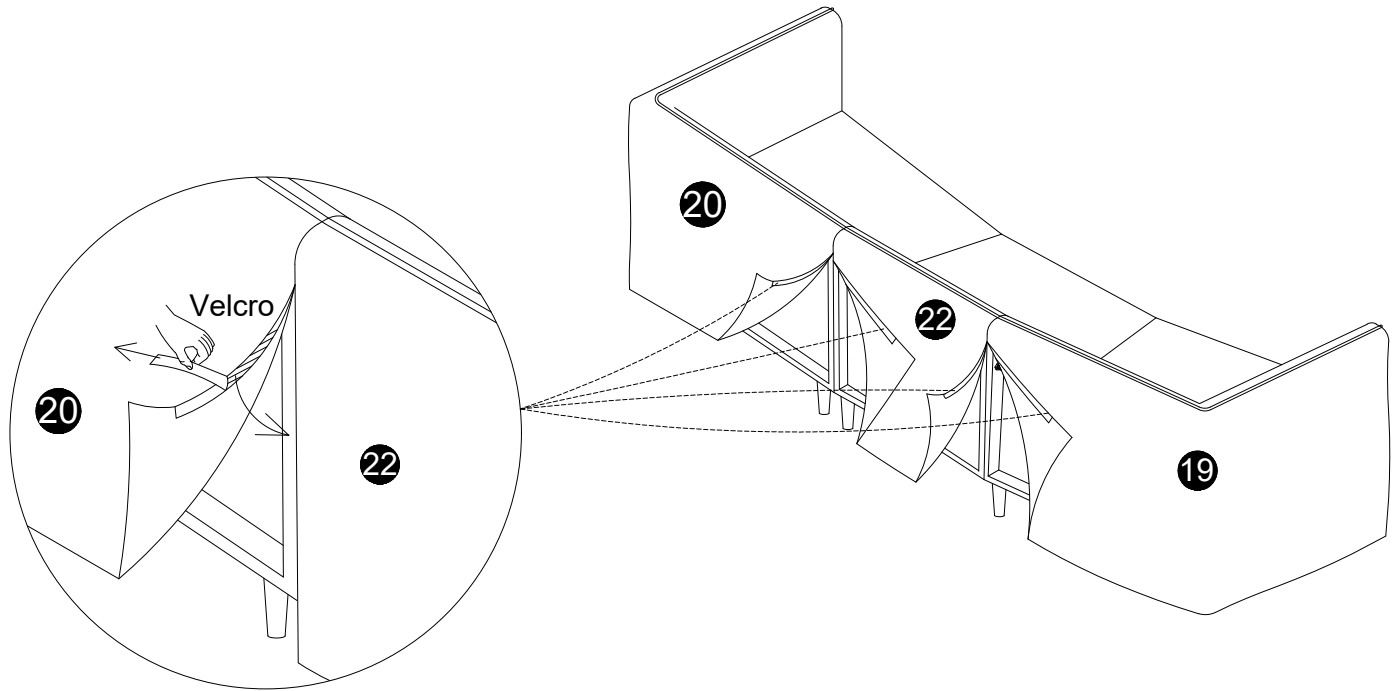
17



18



19



At the back of the part 19, 20 and 22, peel away the fabric strip covering the velcro while pressing the velcro firmly onto the sofa.

20

