

IMPORTANT SAFETY INSTRUCTIONS

Please read and understand this entire manual before attempting to assemble, install or operate the product.

WARNING:

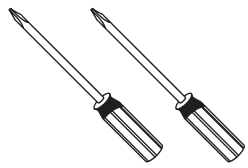
Disconnect power by turning off the circuit breaker or by removing the fuse at the fuse box. (All electrical steps should be performed by a qualified person or electrician.)

Ensure wiring and outlet box are compliant with national and local electrical codes, including the NEC. SkyOutlet requires installation on the branch circuit solid 12 or 14 AWG wire.

CAUTION:

To reduce risk of fire, use two (2) E12 **Max 60-watt** incandescent B10 bulbs or CFL/LED equivalent (bulb not included). This fixture is meant for outdoor use, **SUITABLE FOR WET LOCATIONS**.

TOOL NEEDED:(NOT PROVIDED)



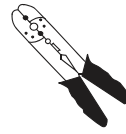
Ph#1&2



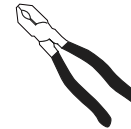
Safety Glasses



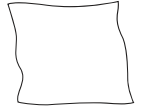
Step Ladder



Wire Stripper

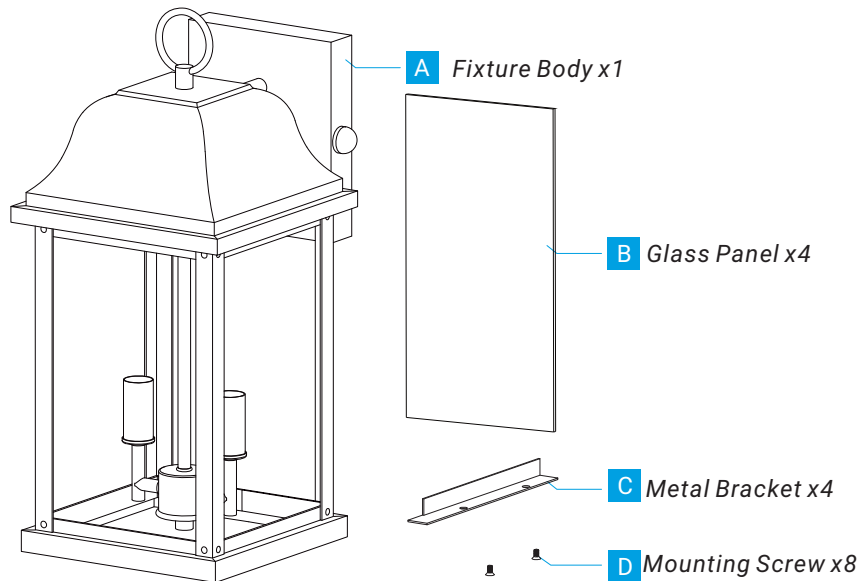


Pliers



Soft Cloth

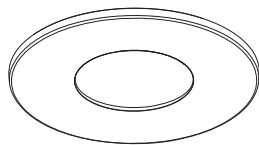
PACKAGE CONTENT



MOUNTING HARDWARE



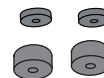
AA SkyOutlet x1
with 2 rubber washers
and 2 mounting screws



BB Cover Plate x1



CC Cap x1
Use when cleaning &
painting or when fixture
is not in use



DD 4mm Washer x2
7mm Washer x2



EE Jumper Lead x2
Optional

Install SkyOutlet

IMPORTANT:

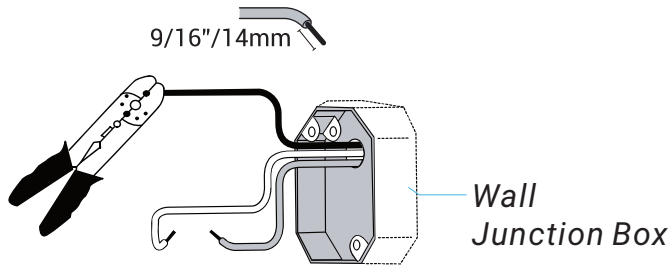
Disconnect power by turning off the circuit breaker or by removing the fuse at the box. All electrical steps should be performed by a qualified person or electrician.

Scan QR code below for reviewing SkyOutlet installation video.

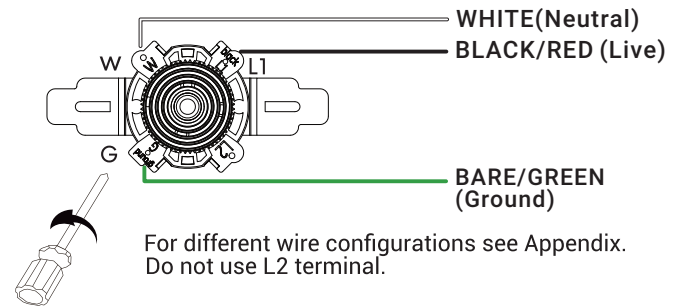


1 Wire SkyOutlet to wall Junction box.

A. Strip wire to 9/16"/14mm.

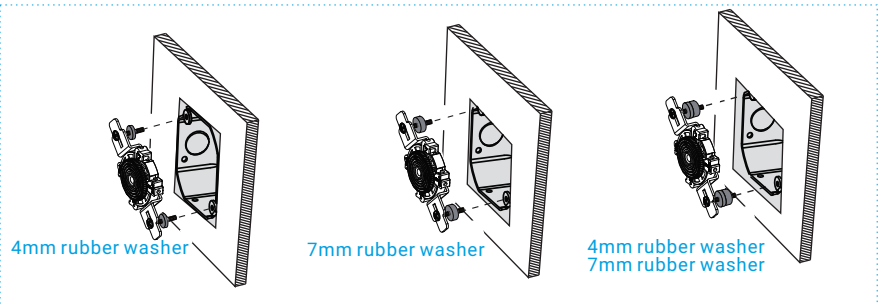
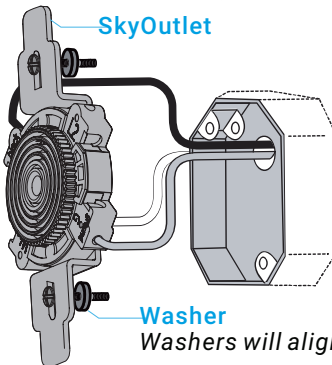


B. Loosen terminal screws to insert branch circuit wires into the corresponding terminals. Tighten to secure wires. Check to make sure wires are securely inserted into terminals. Set screw torque value at 6.3 lb/in.



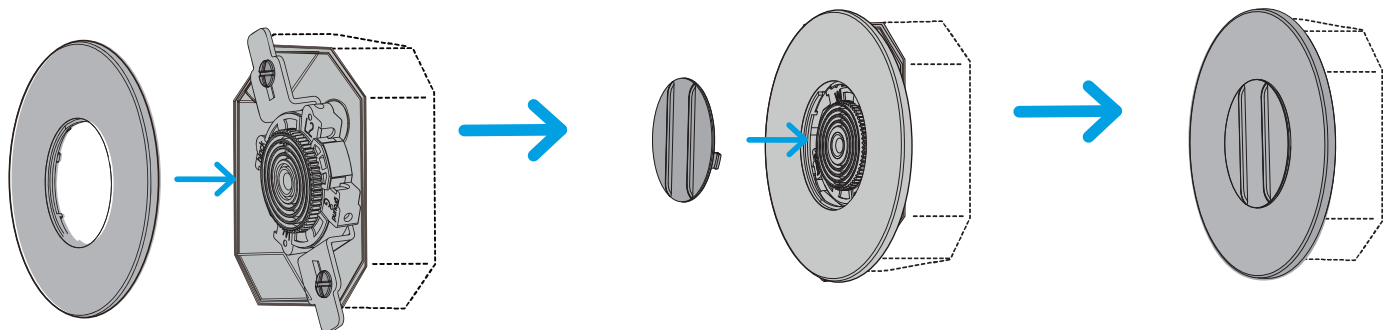
2 Secure SkyOutlet to outlet box using 2 screws and washers (included).

For different wire configurations see Appendix.



IMPORTANT: If your box is flush with wall or recessed less than 1.5 mm (0.06"), use 4 mm washer.
If recessed between 1.5 mm (0.06") and 3 mm (0.12") use larger 7 mm rubber washer.
If recessed more, use combination of both washers.

3 Secure cover plate as shown.



Align tabs on the cover plate with the SkyOutlet bracket and press to secure in place.

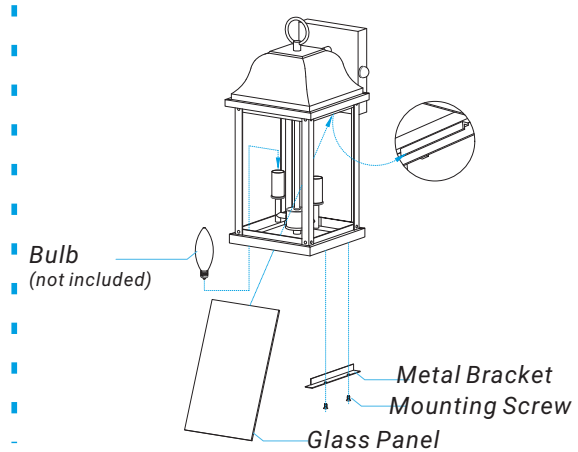
NOTE: A center cap is provided to cover and protect the SkyOutlet when the light fixture is removed for painting, maintenance, etc. To install the center cap, align the two slots on the cover plate and turn to secure.

Assemble Fixture

Scan QR code below for reviewing outdoor wall mount installation video.

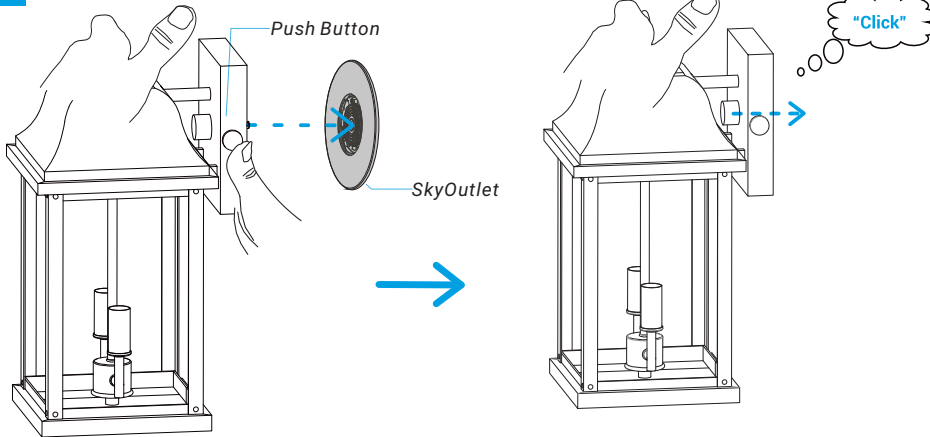


Install glass panels and bulbs (not included).
Recommended Bulb Type: E12-B10, Max. 60W



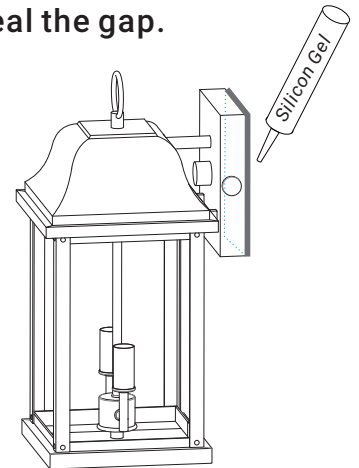
Connect SkyPlug to SkyOutlet

1 While supporting fixture, plug into the SkyOutlet.



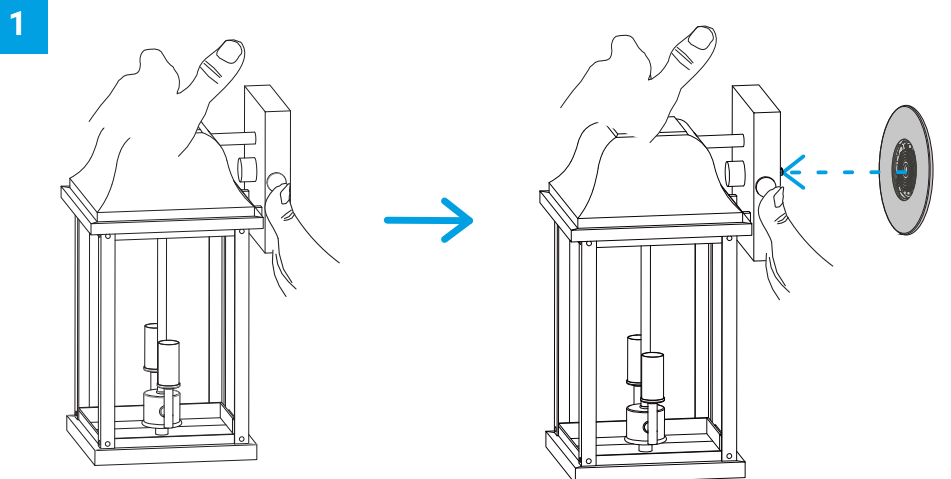
Align with the center hole and press the push button to insert into the SkyOutlet. Once inserted, let go of the push button and push forward until you hear it "click."

2 Seal the gap.

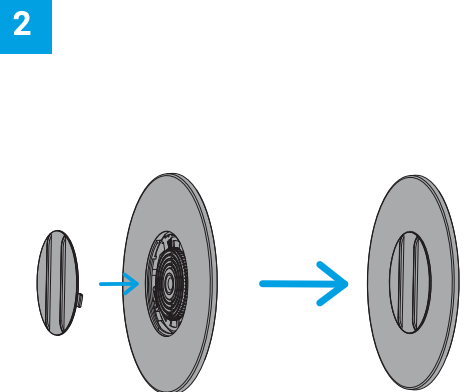


Use silicon gel to seal the gap between canopy and wall.

Removing SkyPlug Fixtures



While supporting fixture, press push button to disengage SkyPlug from SkyOutlet.



Cover up SkyOutlet when not in use.

APPENDIX

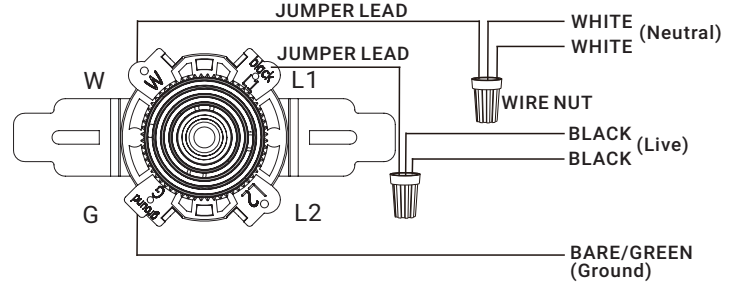
Additional Wiring Diagram

IMPORTANT: If you have multiple wires inside your outlet box, you will need to determine which lead is the live or switched lead and insert this lead into L1. If you are not sure how your house is wired, contact 1-866-885-4649 for questions or contact an electrician. When multiple wires are connected together use a solid wire 12 or 14 AWG JUMPER LEAD (included) to insert into the receptacle terminal. **Do not use L2.**

WIRING DIAGRAM#1:



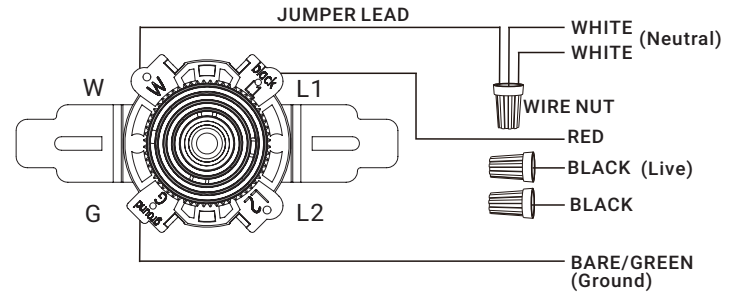
WIRING DIAGRAM#4:



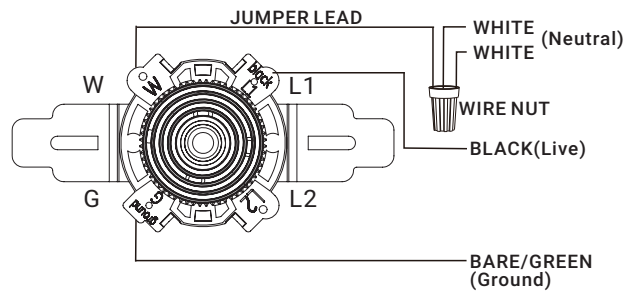
WIRING DIAGRAM#2:



WIRING DIAGRAM#5:



WIRING DIAGRAM#3:



NOTE: If you have multiple wires connected together, add **the included JUMPER LEAD** and insert jumper lead into terminal. Only one single wire can be inserted into terminal (See diagram 3-5).

LIMITED PRODUCT WARRANTY

For warranty info, visit www.LumLight.com/warranty