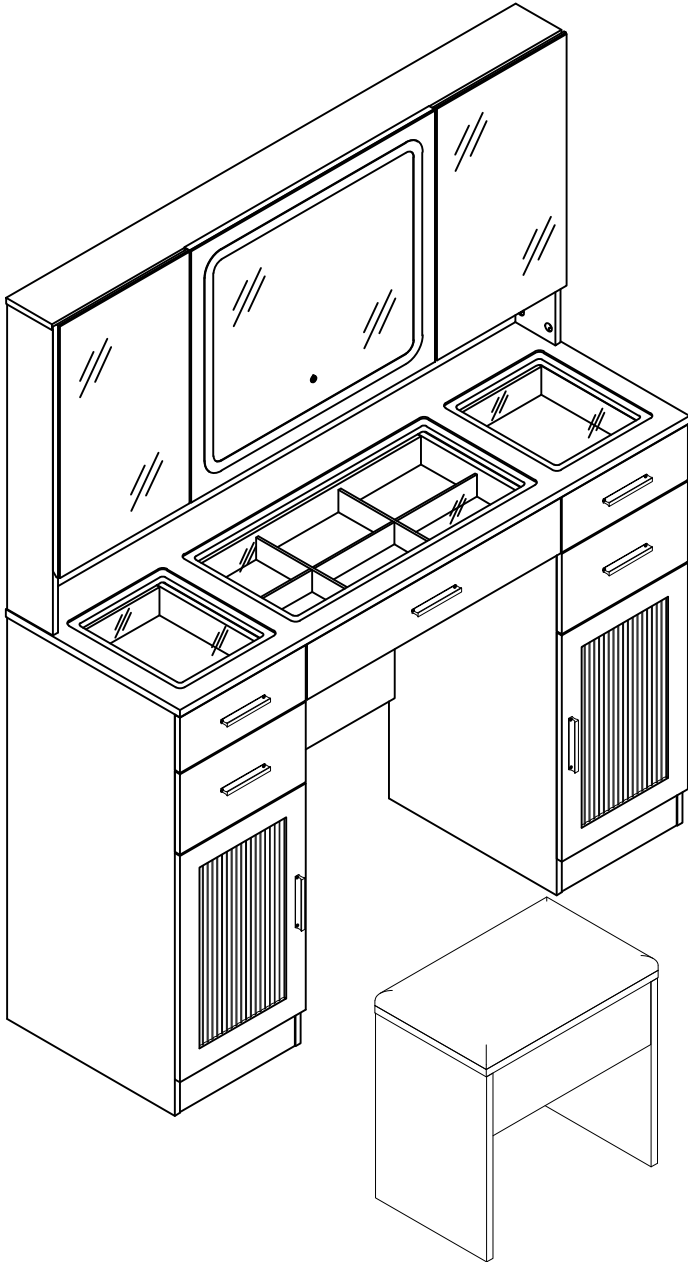


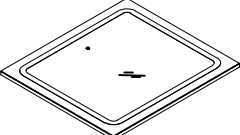
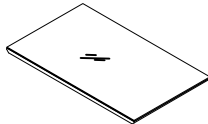
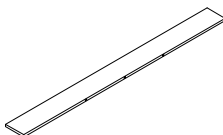
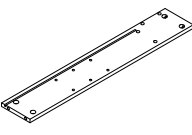
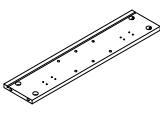
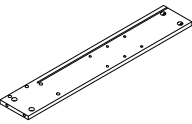
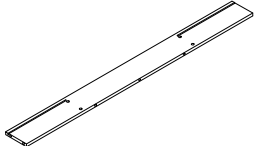
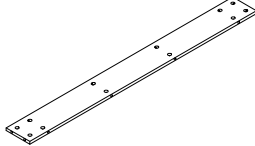
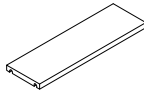
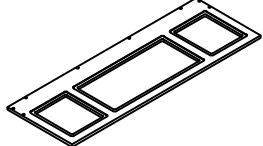
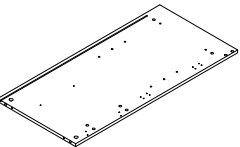
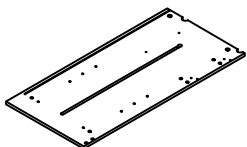
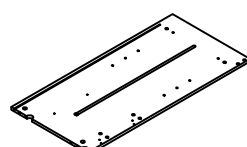
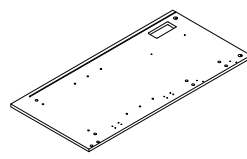
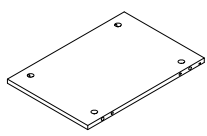
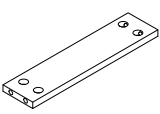
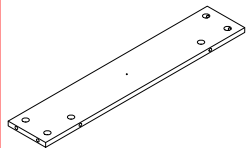
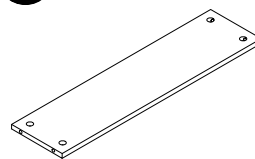
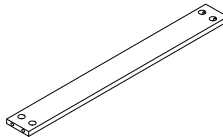
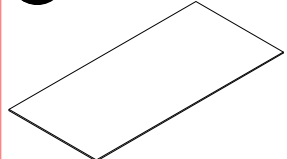
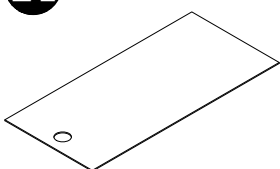
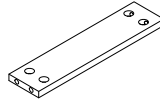
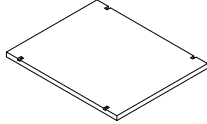
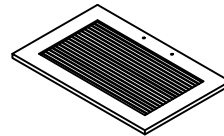
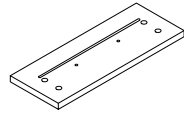
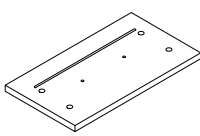
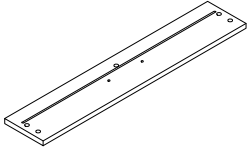
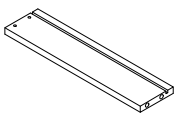
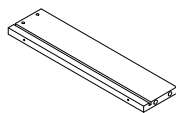
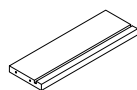
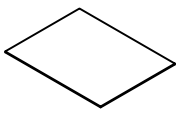
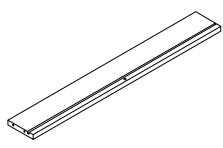
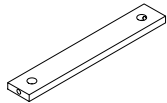
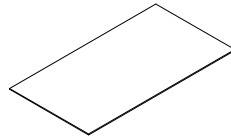
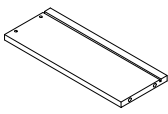
---

# THREE MIRRORS DRESSING TABLE

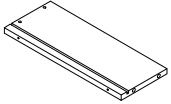
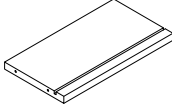
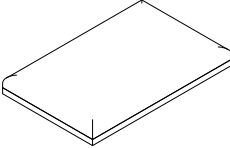
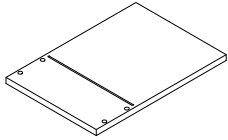
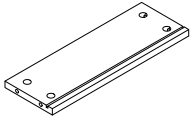
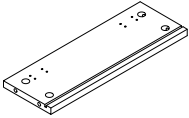
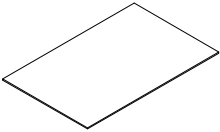
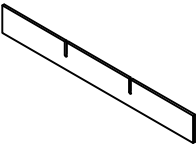
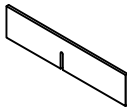
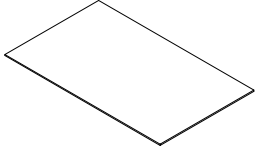
-Instruction Manual-



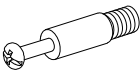
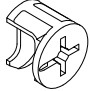
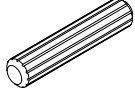
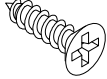
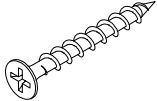
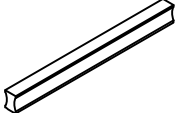

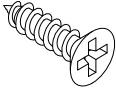
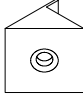

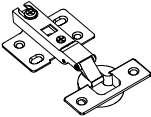



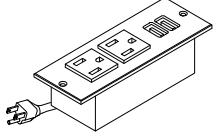

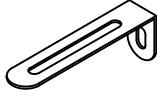

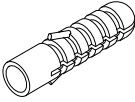
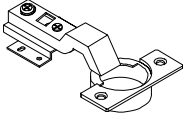


# HARDWARE LIST

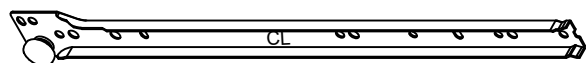
<b>1</b>  1PC	<b>2</b>  2PCS	<b>3</b>  1PC	<b>4</b>  1PC	<b>5</b>  2PCS
<b>6</b>  1PC	<b>7</b>  1PC	<b>8</b>  1PC	<b>9</b>  2PCS	<b>10</b>  1PC
<b>11</b>  1PC	<b>12</b>  1PC	<b>13</b>  1PC	<b>14</b>  1PC	<b>15</b>  2PCS
<b>16</b>  4PCS	<b>17</b>  1PC	<b>18</b>  1PC	<b>19</b>  1PC	<b>20</b>  1PC
<b>21</b>  1PC	<b>22</b>  2PCS	<b>23</b>  2PCS	<b>24</b>  2PCS	<b>25</b>  2PCS
<b>26</b>  2PCS	<b>27</b>  1PC	<b>28</b>  3PCS	<b>29</b>  3PCS	<b>30</b>  2PCS
<b>31</b>  4PCS	<b>32</b>  1PC	<b>33</b>  1PC	<b>34</b>  1PC	<b>35</b>  2PCS

# HARDWARE LIST

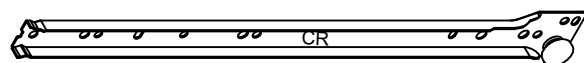
<p><b>36</b></p>  <p>2PCS</p>	<p><b>37</b></p>  <p>2PCS</p>	<p><b>38</b></p>  <p>1PC</p>	<p><b>39</b></p>  <p>2PCS</p>	<p><b>40</b></p>  <p>1PC</p>
<p><b>41</b></p>  <p>1PC</p>	<p><b>42</b></p>  <p>1PC</p>	<p><b>43</b></p>  <p>1PC</p>	<p><b>44</b></p>  <p>2PCS</p>	<p><b>45</b></p>  <p>2PCS</p>

# HARDWARE LIST

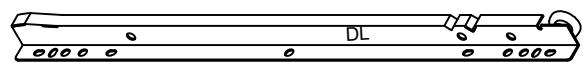
<p><b>A</b></p>  <p>6x35mm 122(+3)PCS</p>	<p><b>B</b></p>  <p>122(+2)PCS</p>	<p><b>C</b></p>  <p>6x30mm 16(+1)PCS</p>	<p><b>D</b></p>  <p>M3.5x12mm 114(+2)PCS</p>	<p><b>E</b></p>  <p>M3.5x35mm 22(+2)PCS</p>
<p><b>F</b></p>  <p>7PCS</p>	<p><b>G</b></p>  <p>M4x16mm 14PCS</p>	<p><b>H</b></p>  <p>M3x14mm 12(+1)PCS</p>	<p><b>I</b></p>  <p>12PCS</p>	<p><b>J</b></p>  <p>16(+1)PCS</p>
<p><b>K</b></p>  <p>6PCS</p>	<p><b>L</b></p>  <p>Ø20 4(+2)PCS</p>	<p><b>M</b></p>  <p>1PC</p>	<p><b>N</b></p>  <p>1PC</p>	<p><b>O</b></p>  <p>White 1PC</p>
<p><b>P</b></p>  <p>12(+2)PCS</p>	<p><b>Q</b></p>  <p>2PCS</p>	<p><b>R</b></p>  <p>M4*8 2PCS</p>	<p><b>S</b></p>  <p>2PCS</p>	<p><b>T</b></p>  <p>4PCS</p>
<p><b>U</b></p> <p>U1 1PC</p> <p>U2 2PCS</p> <p>U3 1PC</p> <p>1SET</p>	<p><b>V</b></p>  <p>2PCS</p>	<p><b>W</b></p>  <p>M3x10mm 9SET</p>		



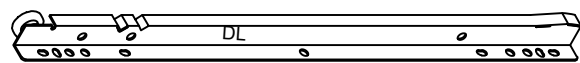
**CL**  
x5  
L300mm



**CR**  
x5  
L300mm

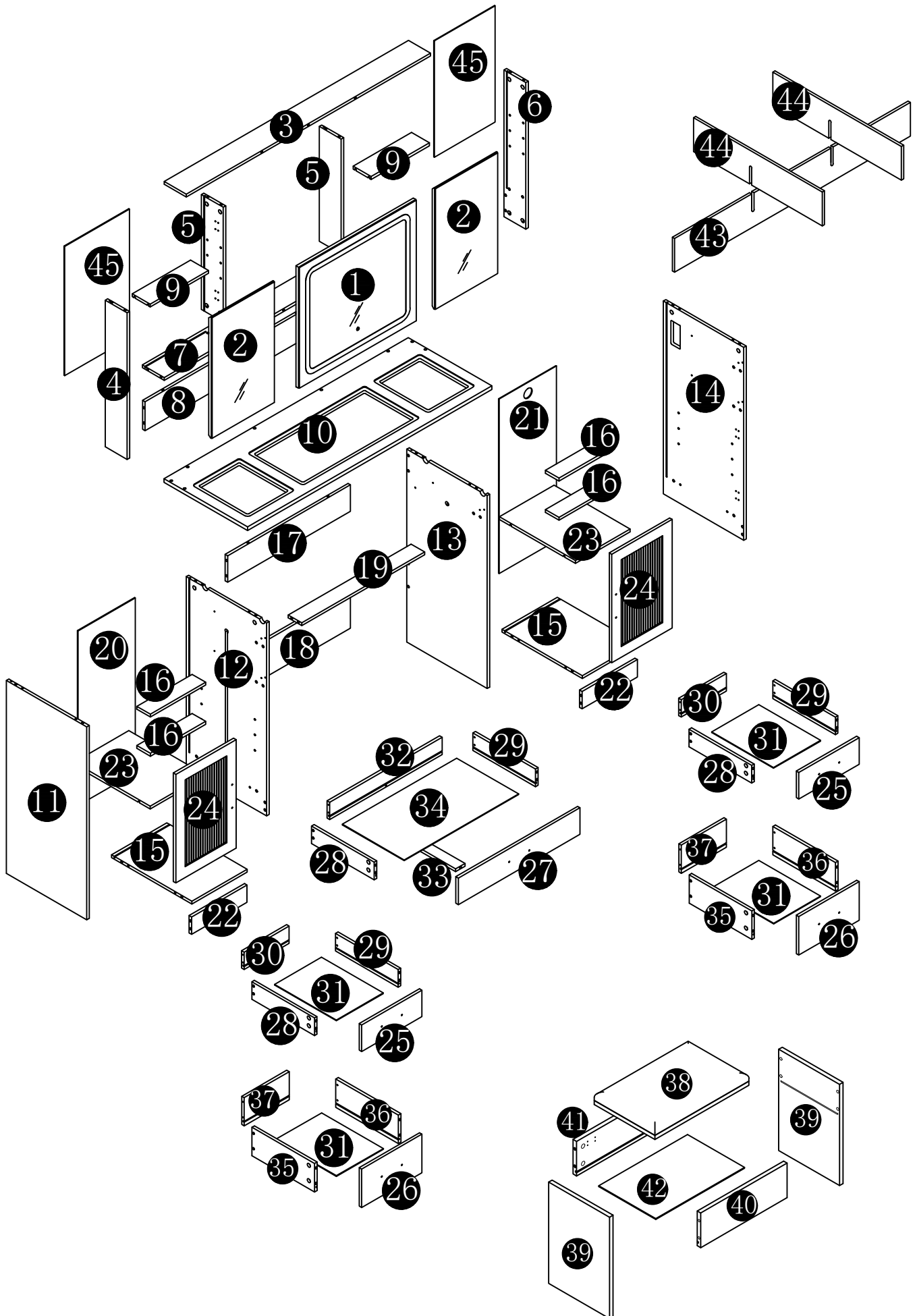


**DL**  
x5  
L300mm

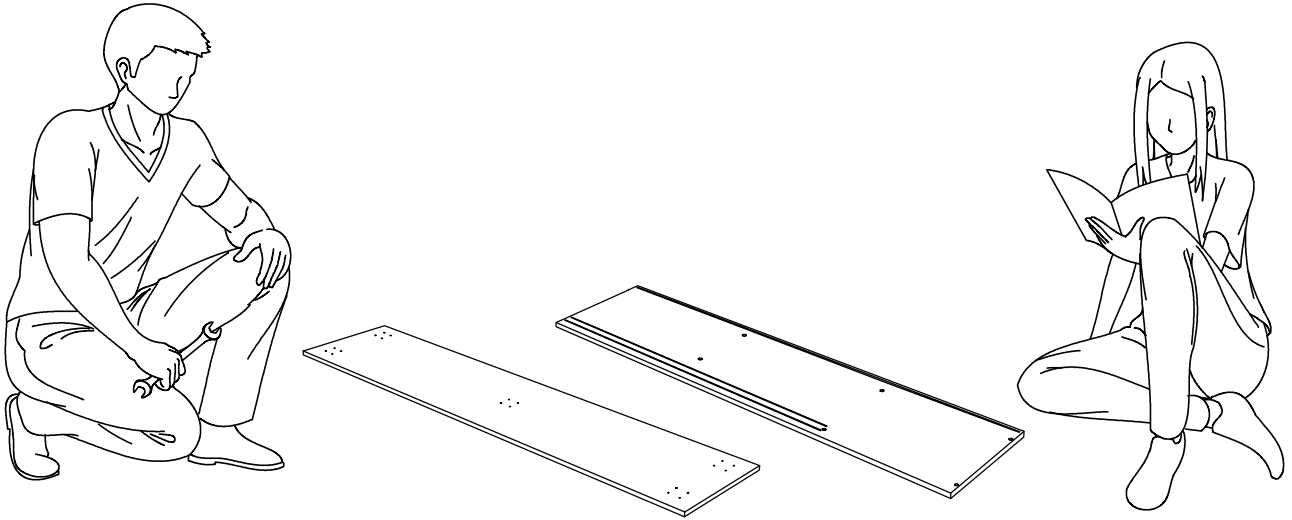


**DR**  
x5  
L300mm

# EXPLODED VIEW



**This furniture requires 2 people to assemble.  
Make sure no parts missing or damaged before assembly.**



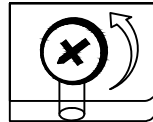
**Cam Bolt Installation As Below**



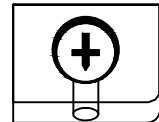
Cam bolt



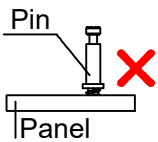
Connecting piece



Rotate connecting piece if found in the position illustrated above.

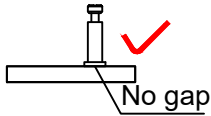


Correct orientation to receive bolts.

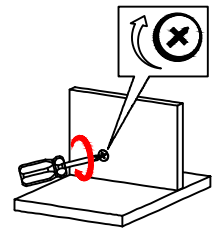
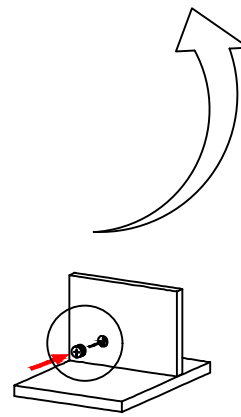
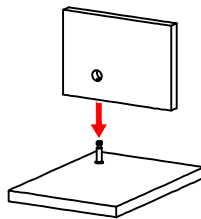
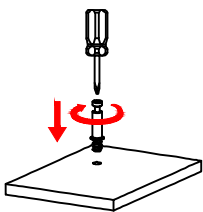


Pin

Panel

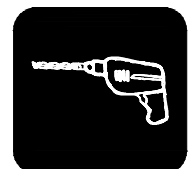


No gap



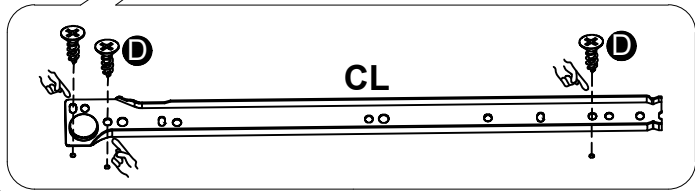
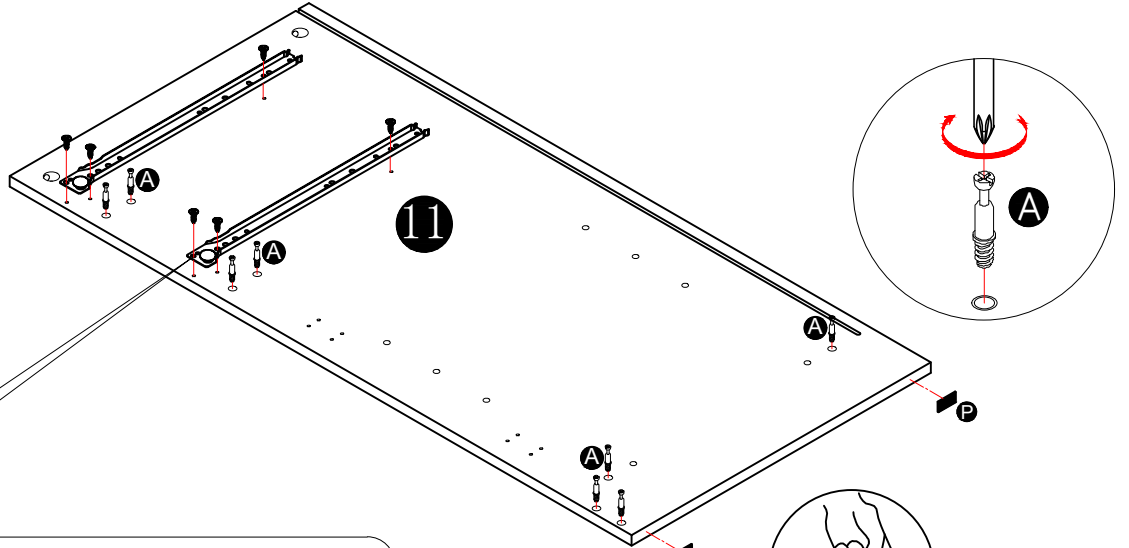
**YOU MAY NEED  
(NOT SUPPLIED)**

CAUTION: Please confirm the parts list before installation.



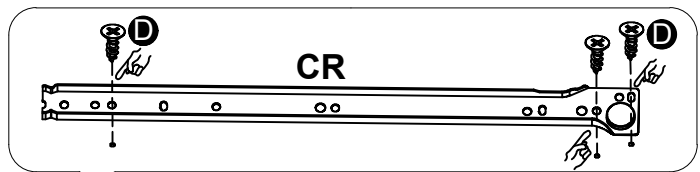
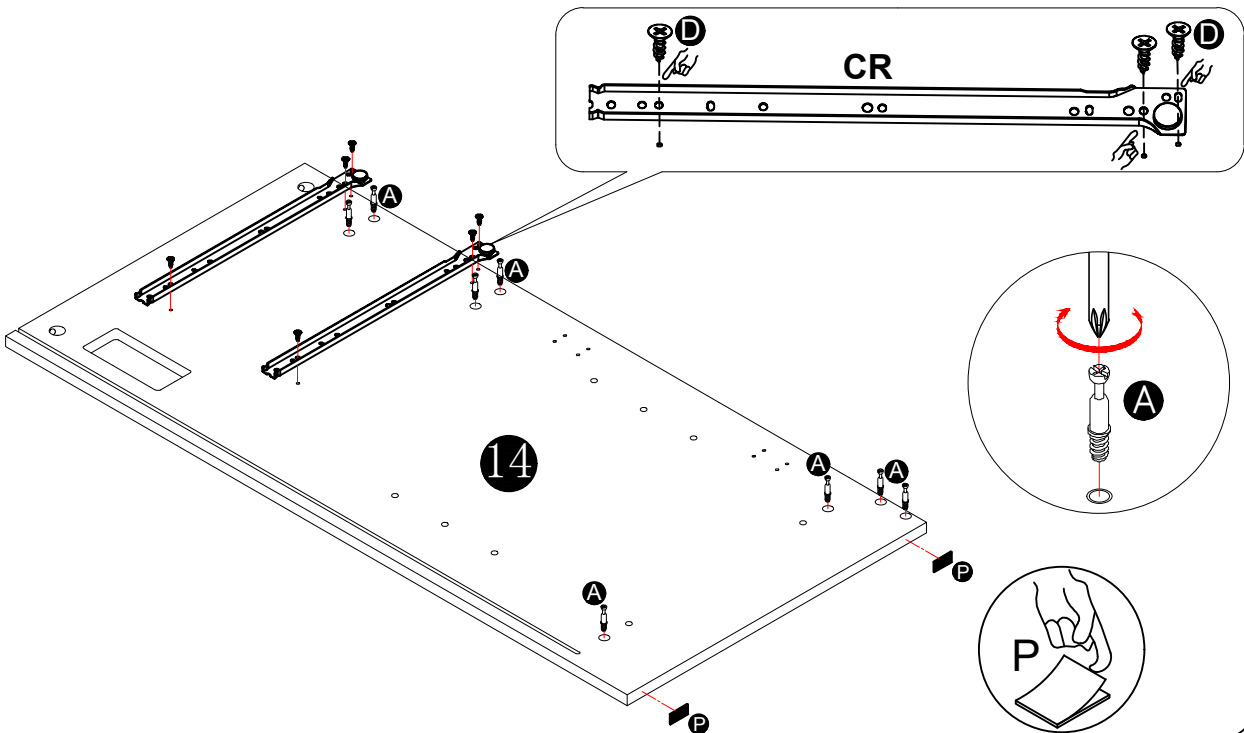
# Step:1

- A**  
6\*35 8PCS
- CL**  
12" 2PCS
- D**  
3.5\*12 6PCS
- P**  
2PCS



# Step:2

- A**  
6\*35 8PCS
- CR**  
12" 2PCS
- D**  
3.5\*12 6PCS
- P**  
2PCS



# Step:3

**A**  
6\*35 14PCS

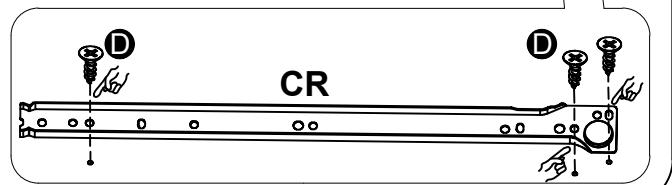
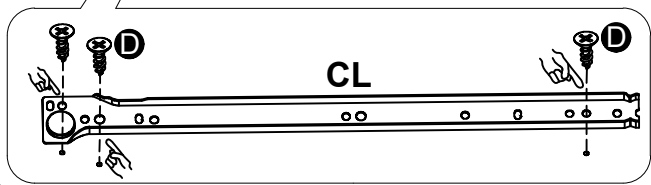
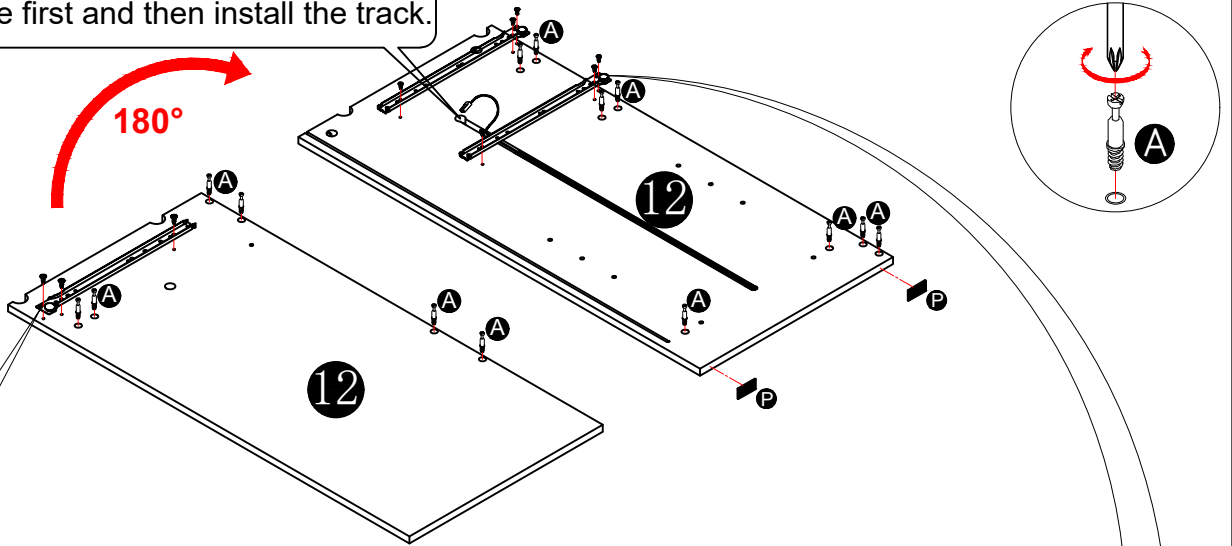
**CL**  
12" 1PC

**CR**  
12" 2PCS

**D**  
3.5\*12 9PCS

**P**  
2PCS

Thread the line first and then install the track.



# Step:4

**A**  
6\*35 14PCS

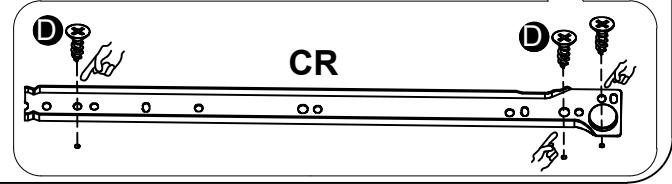
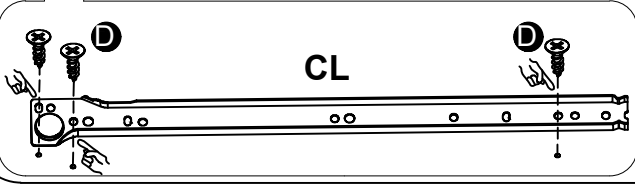
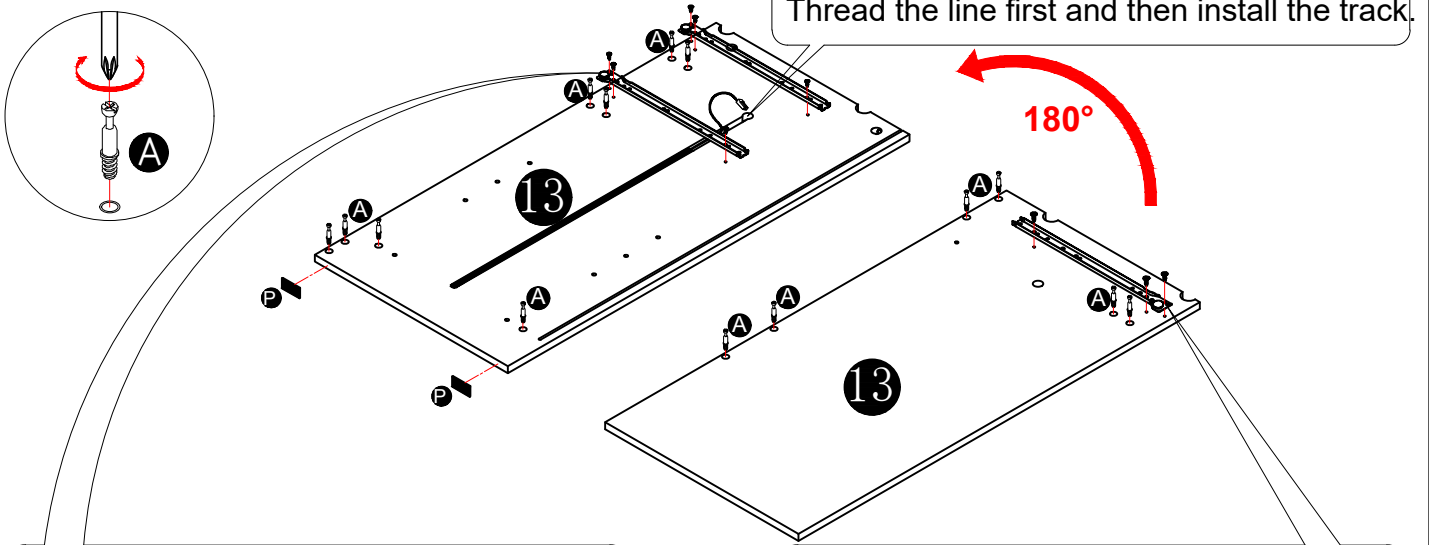
**CL**  
12" 2PCS

**CR**  
12" 1PC

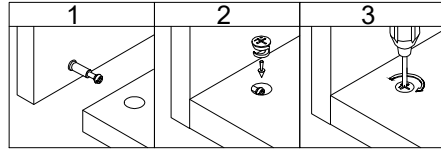
**D**  
3.5\*12 9PCS

**P**  
2PCS

Thread the line first and then install the track.



# Step:5

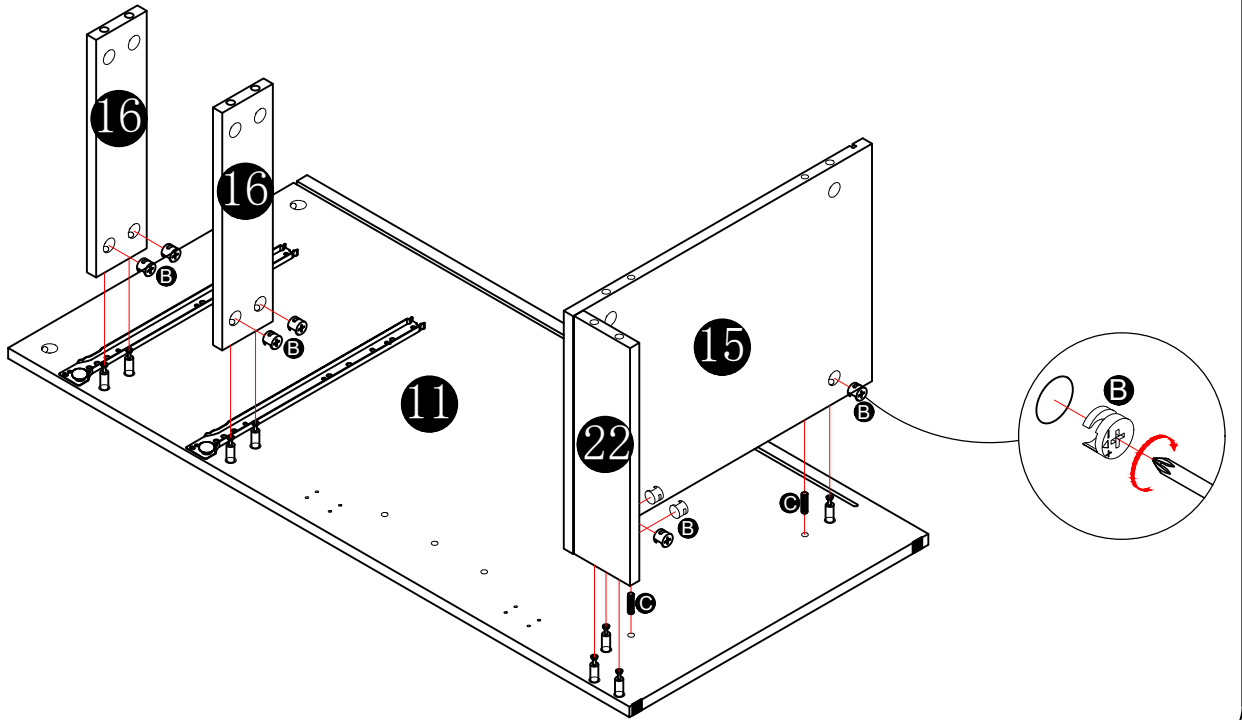


**B**

Ø15\*10 8PCS

**C**

6x30mm 2PCS



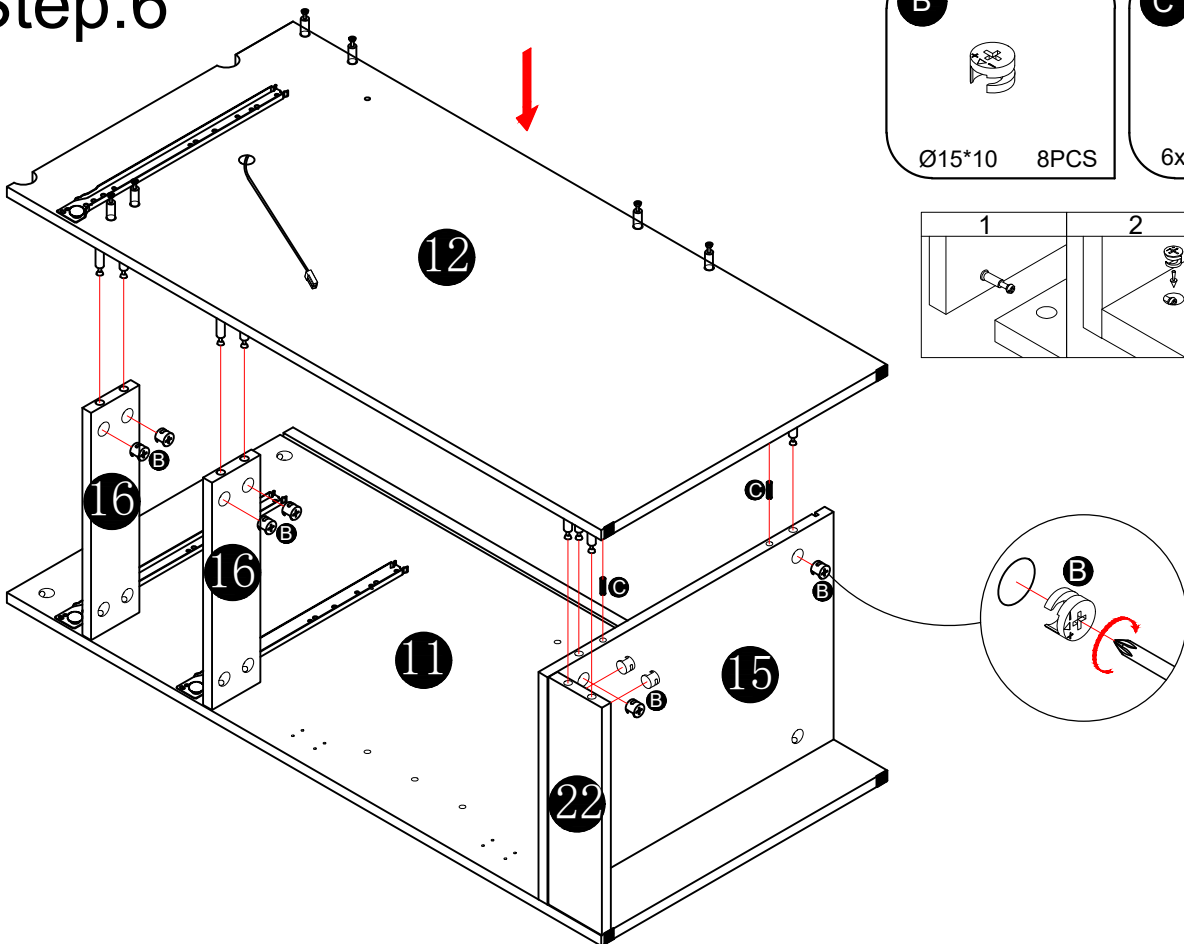
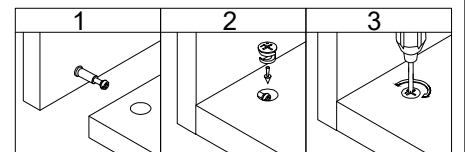
# Step:6

**B**

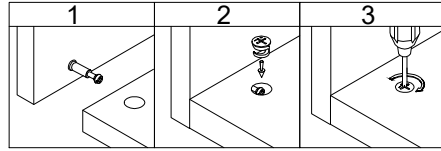
Ø15\*10 8PCS

**C**


6x30mm 2PCS



# Step:7

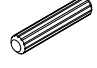


**B**

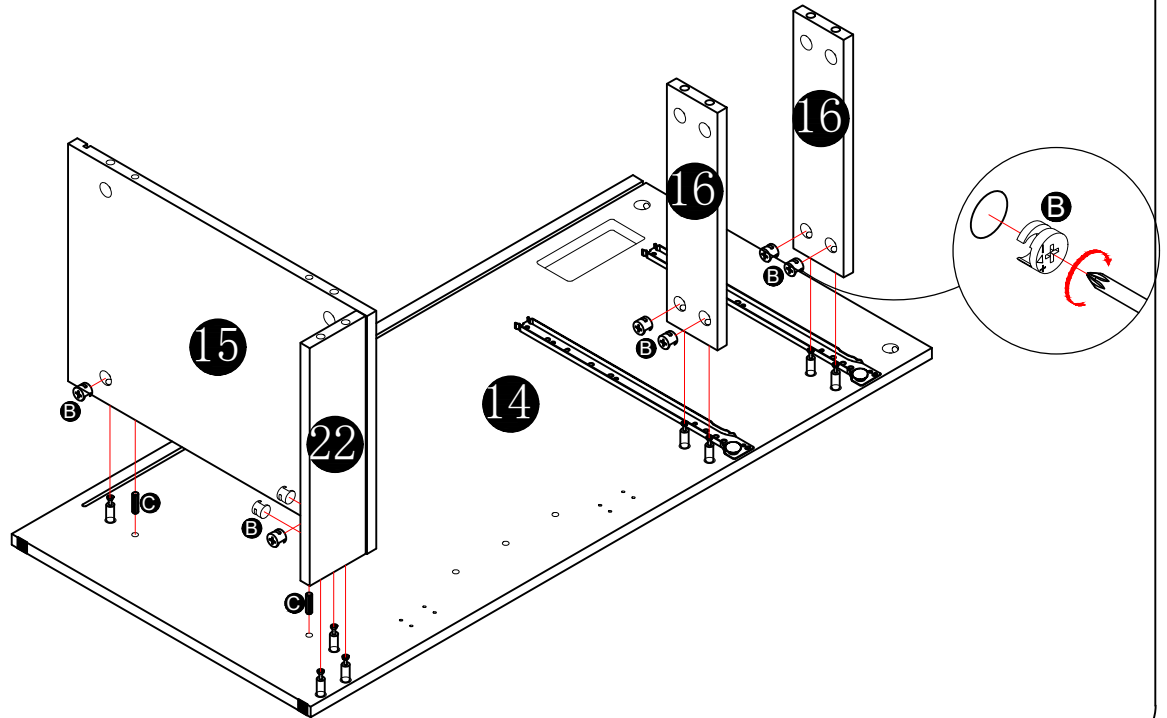


Ø15\*10 8PCS

**C**




6x30mm 2PCS



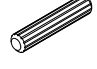
# Step:8

**B**

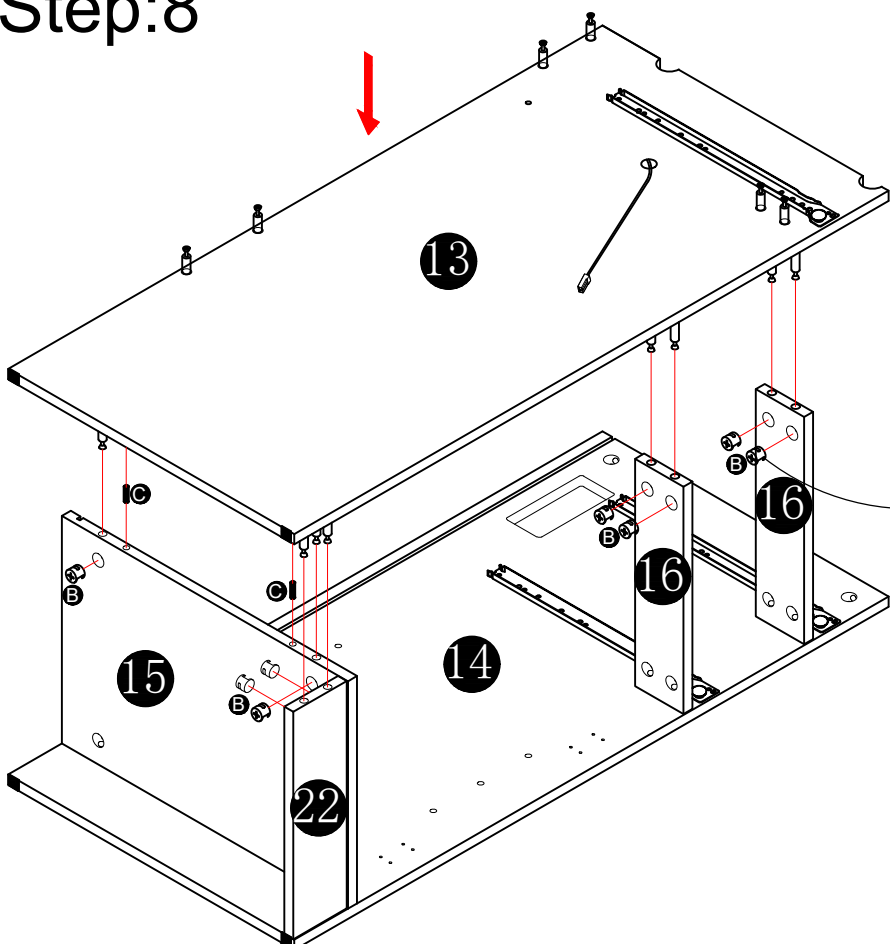
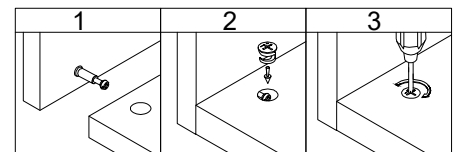


Ø15\*10 8PCS

**C**

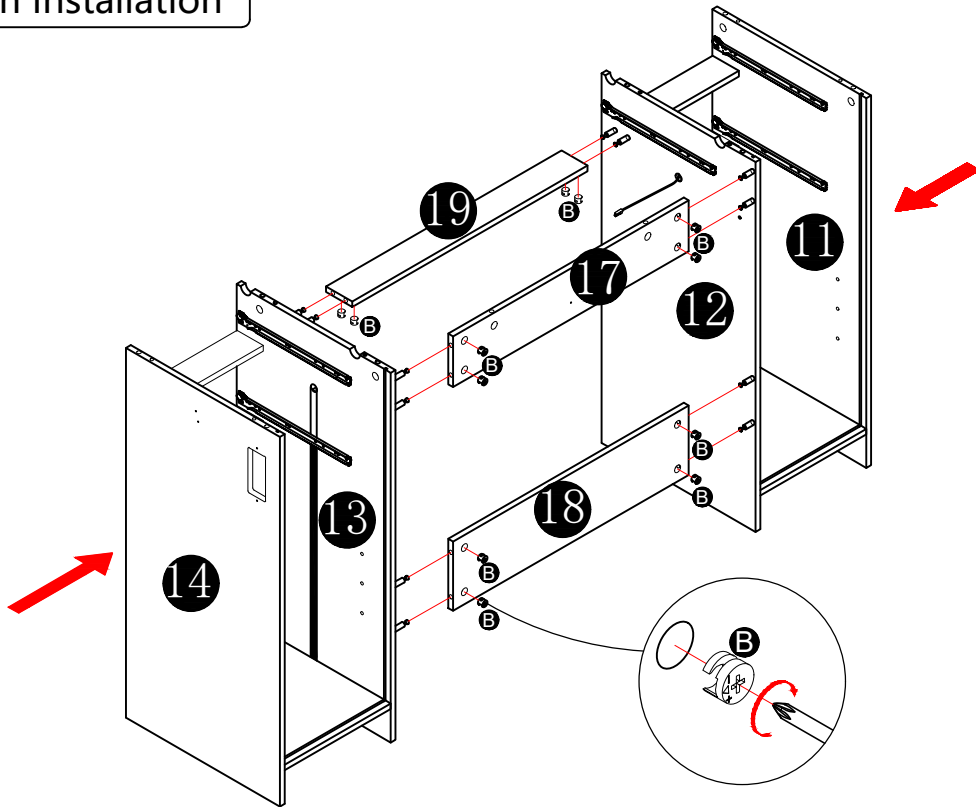
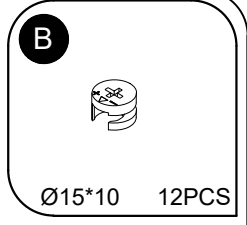
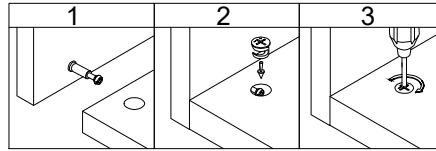


6x30mm 2PCS

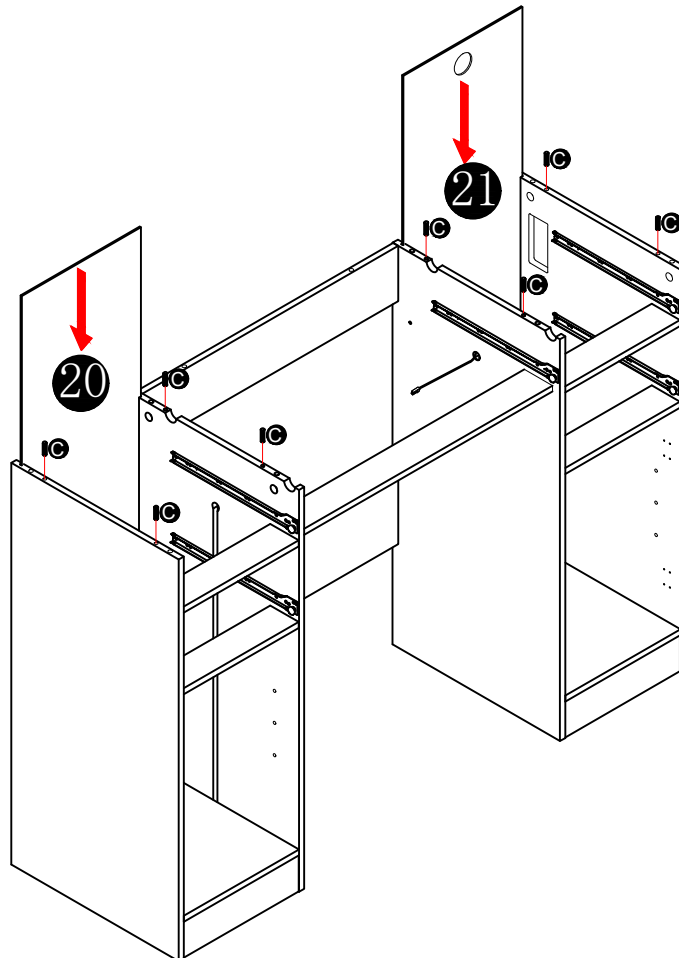
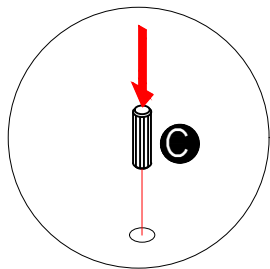
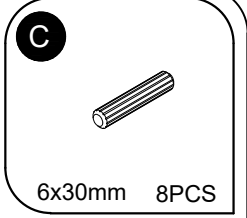


# Step:9

Attention: Two Persons Cooperate in Installation

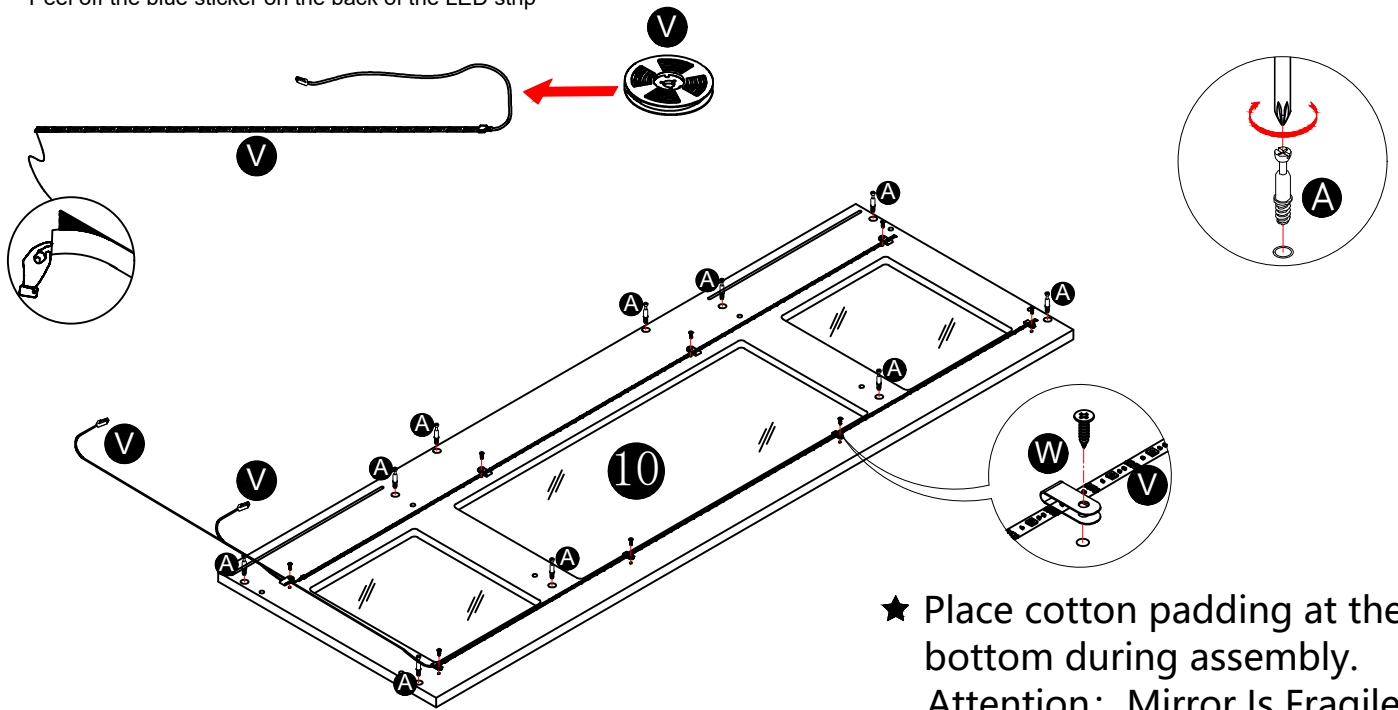
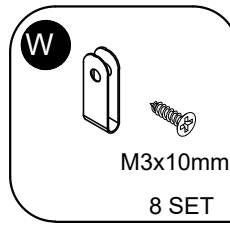
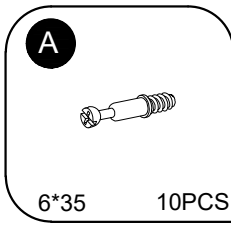


# Step:10



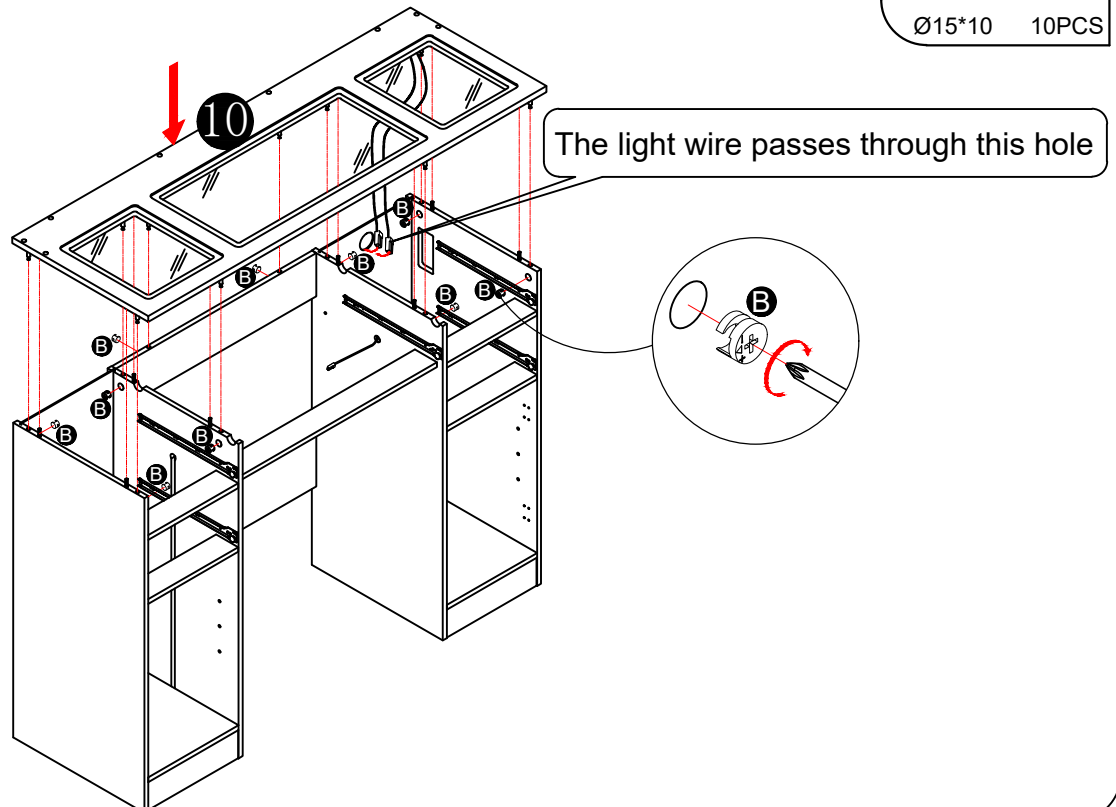
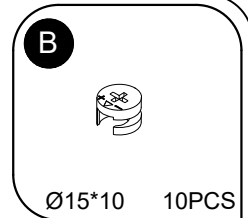
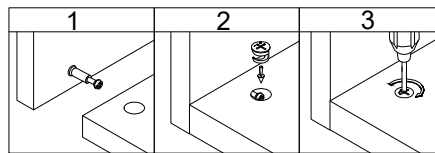
# Step:11

Before installing the LED strip  
Peel off the blue sticker on the back of the LED strip

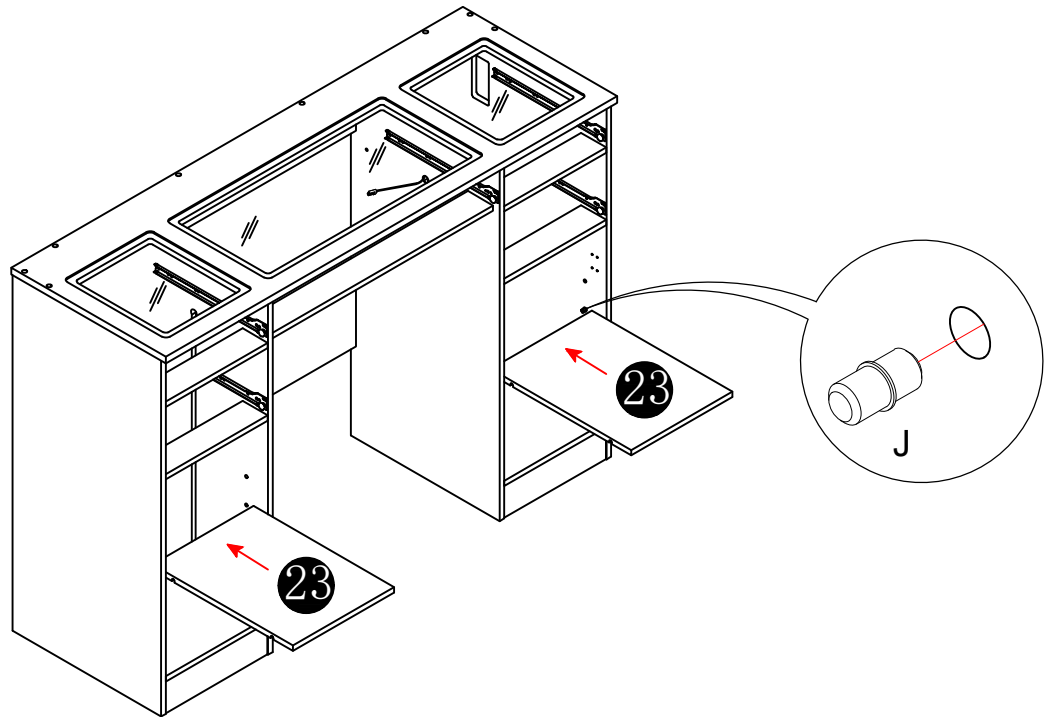
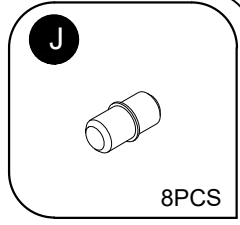


★ Place cotton padding at the bottom during assembly.  
Attention: Mirror Is Fragile,  
Please Move It with Care.

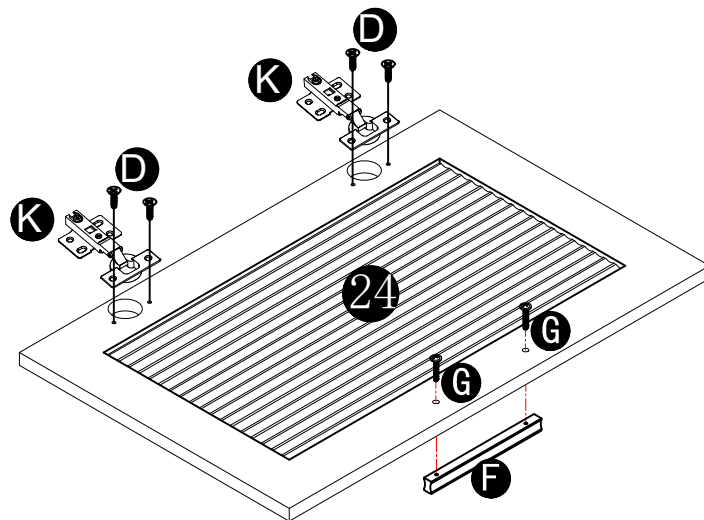
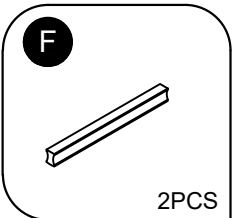
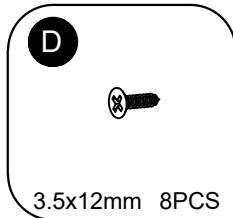
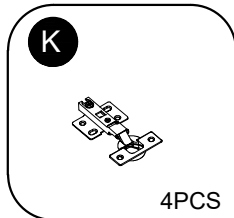
# Step:12



# Step:13

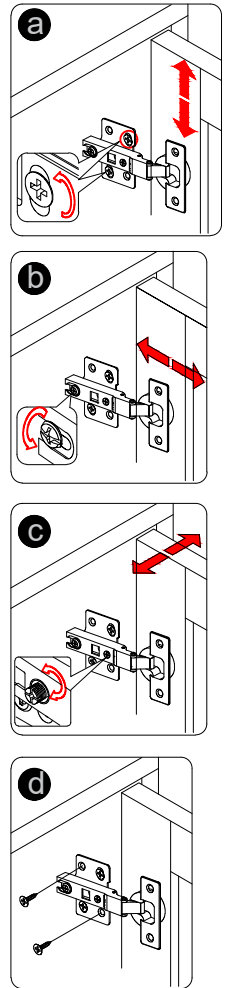
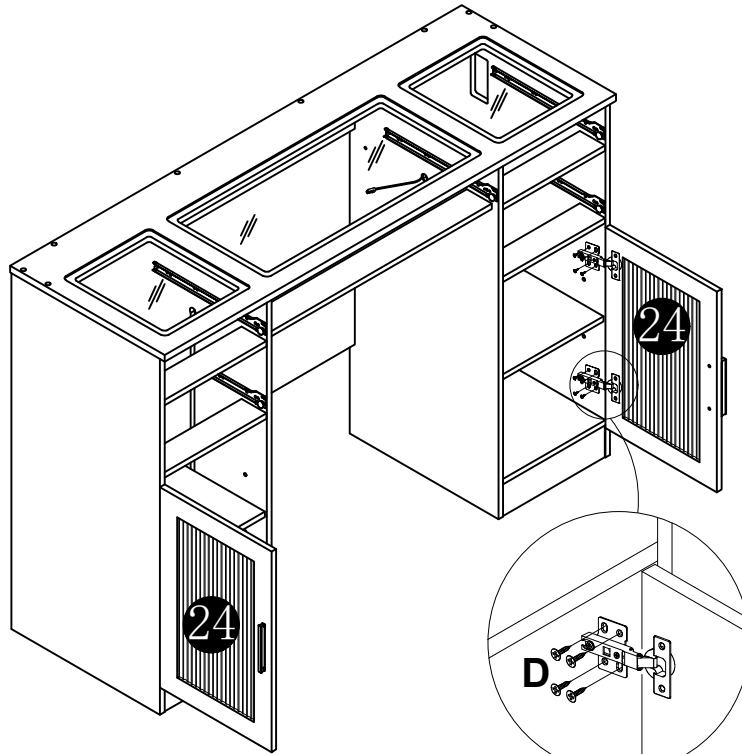
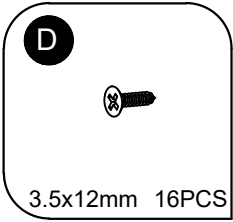


# Step:14



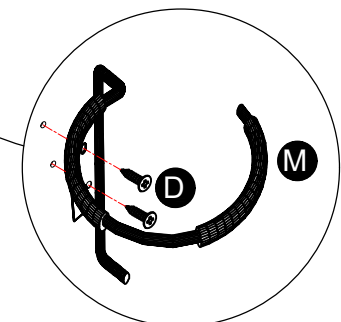
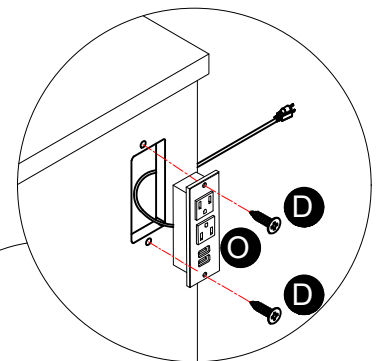
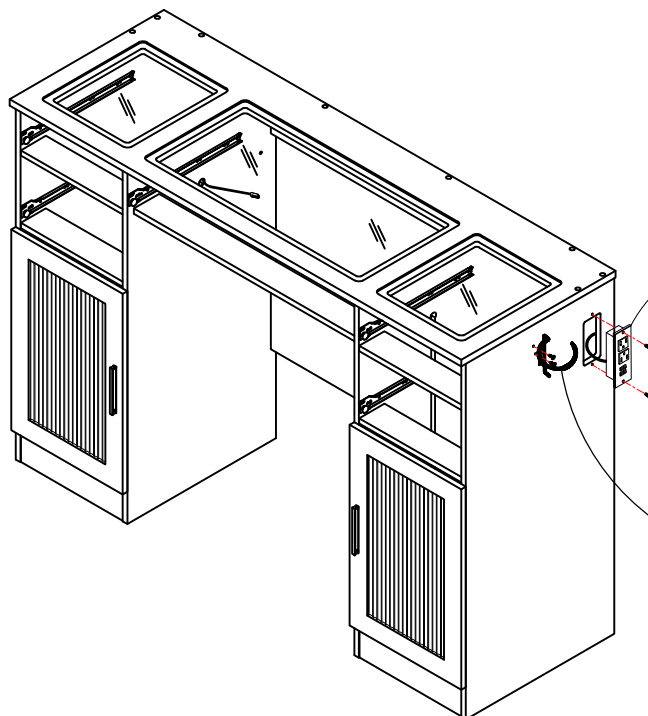
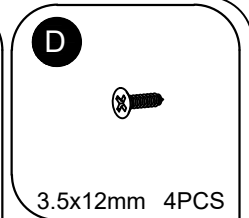
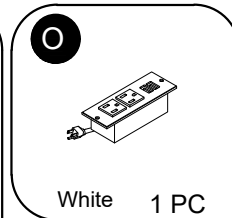
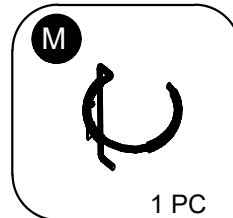
**x2**

# Step:15

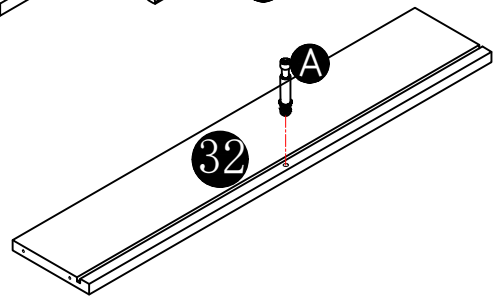
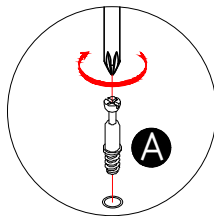
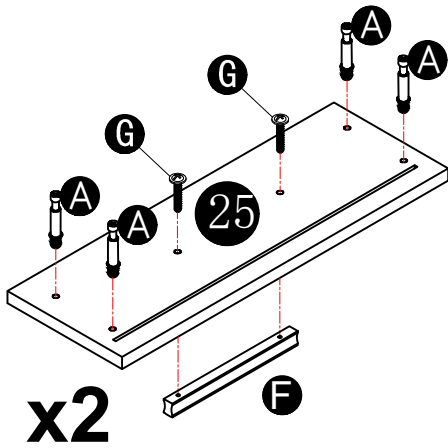
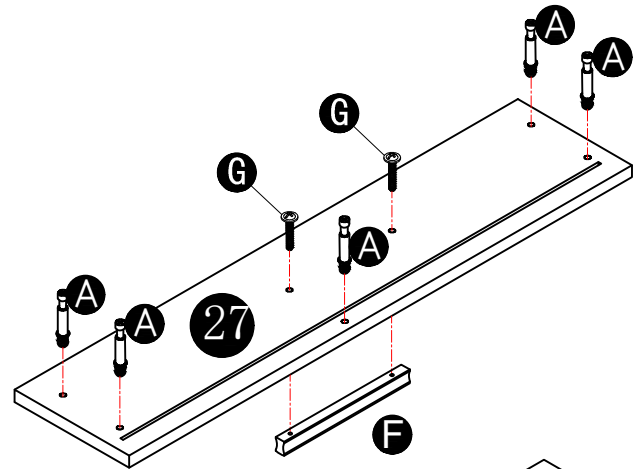
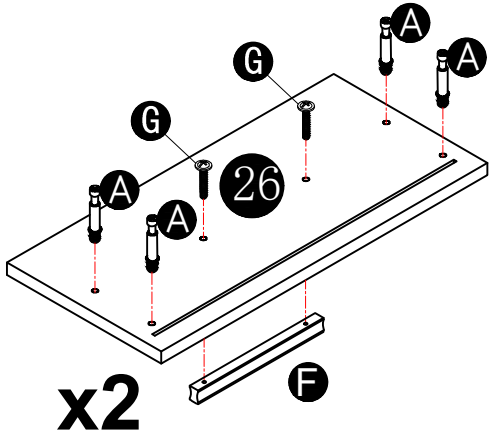
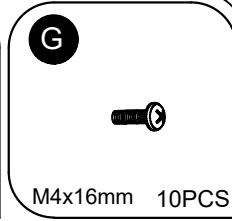
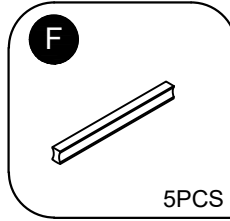
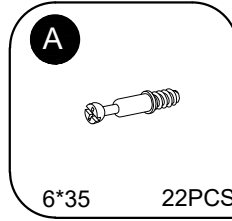


The installation method is the same for No. 24

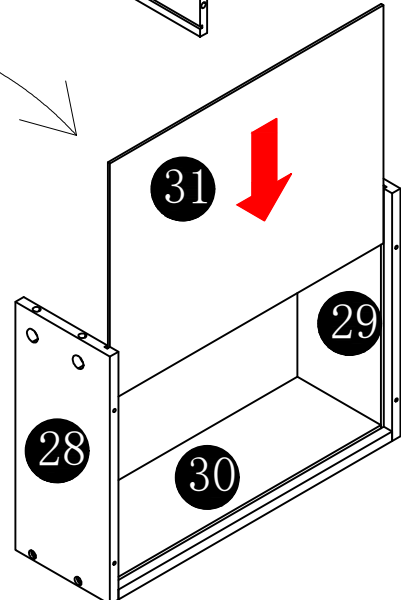
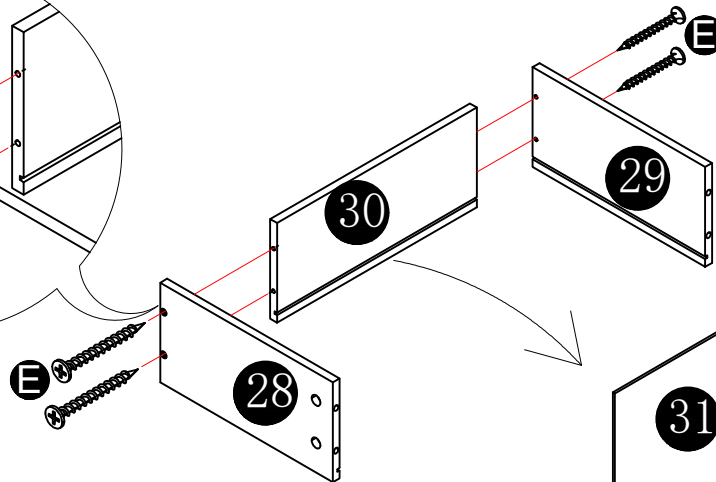
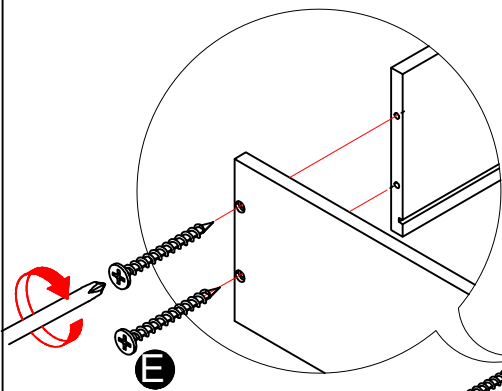
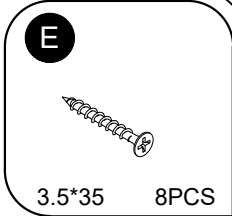
# Step:16



# Step:17

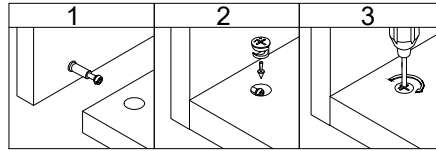


# Step:18



x2

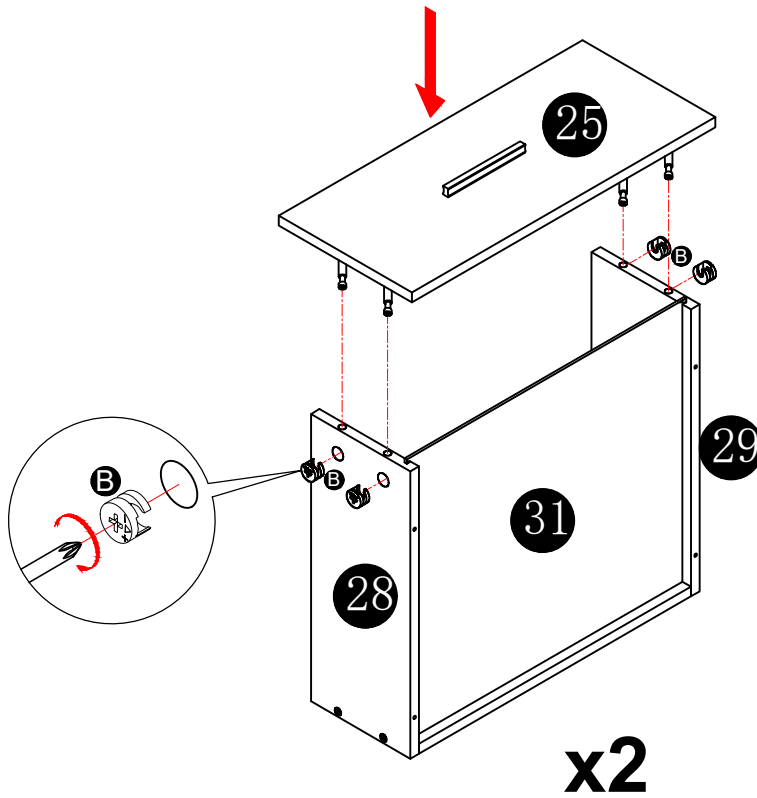
# Step:19



**B**

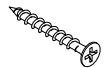


Ø15\*10 8PCS

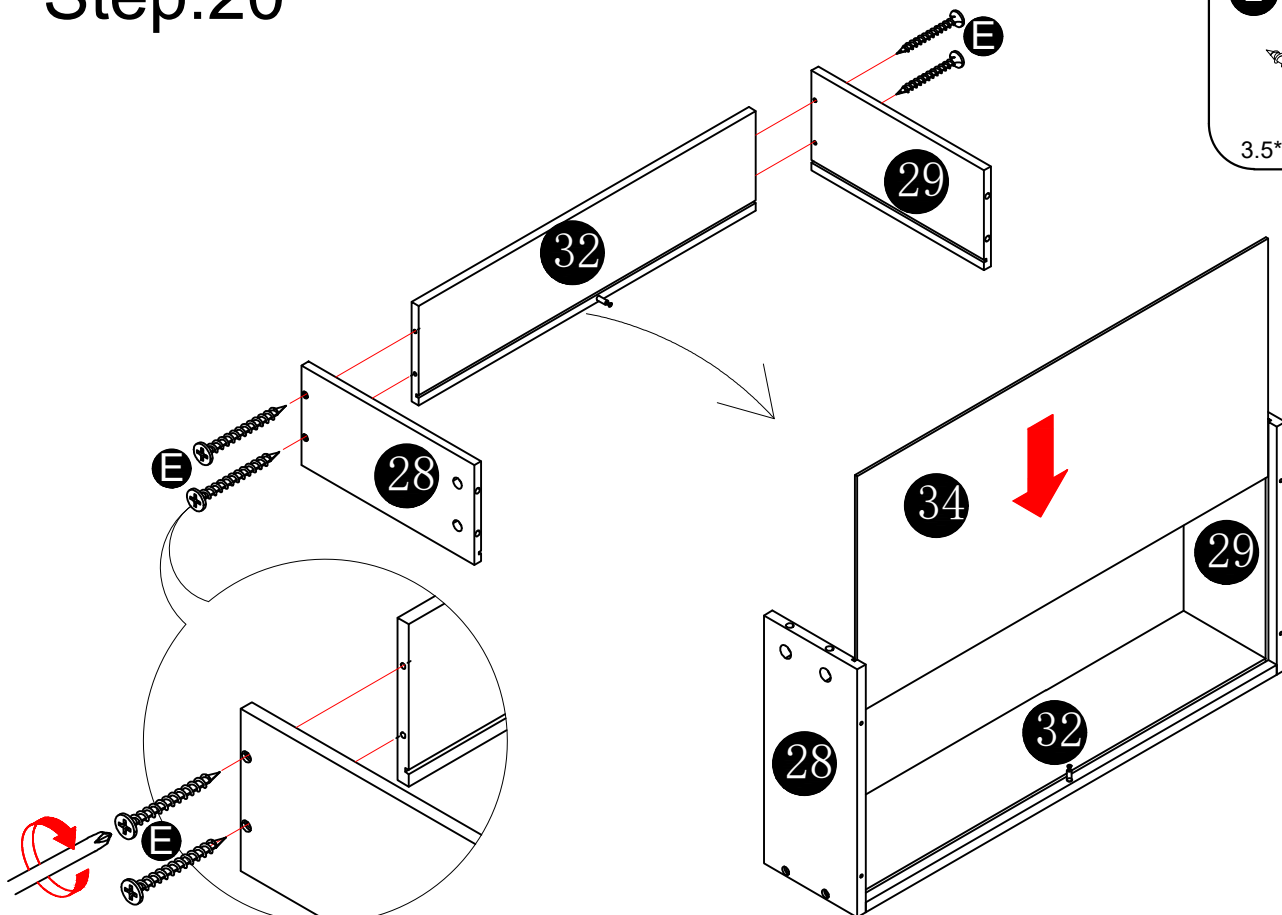


# Step:20

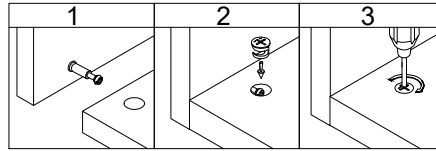
**E**



3.5\*35 4PCS



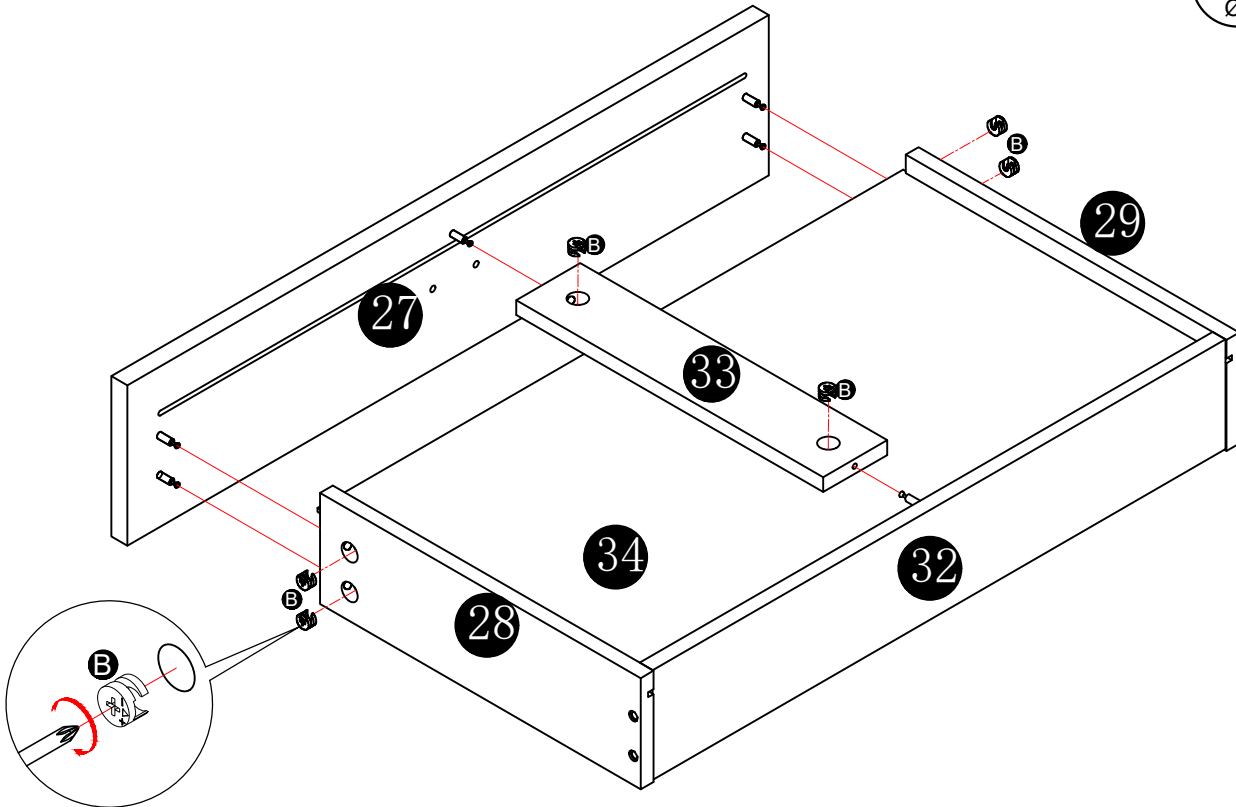
# Step:21



B

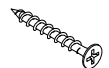


Ø15\*10 6PCS

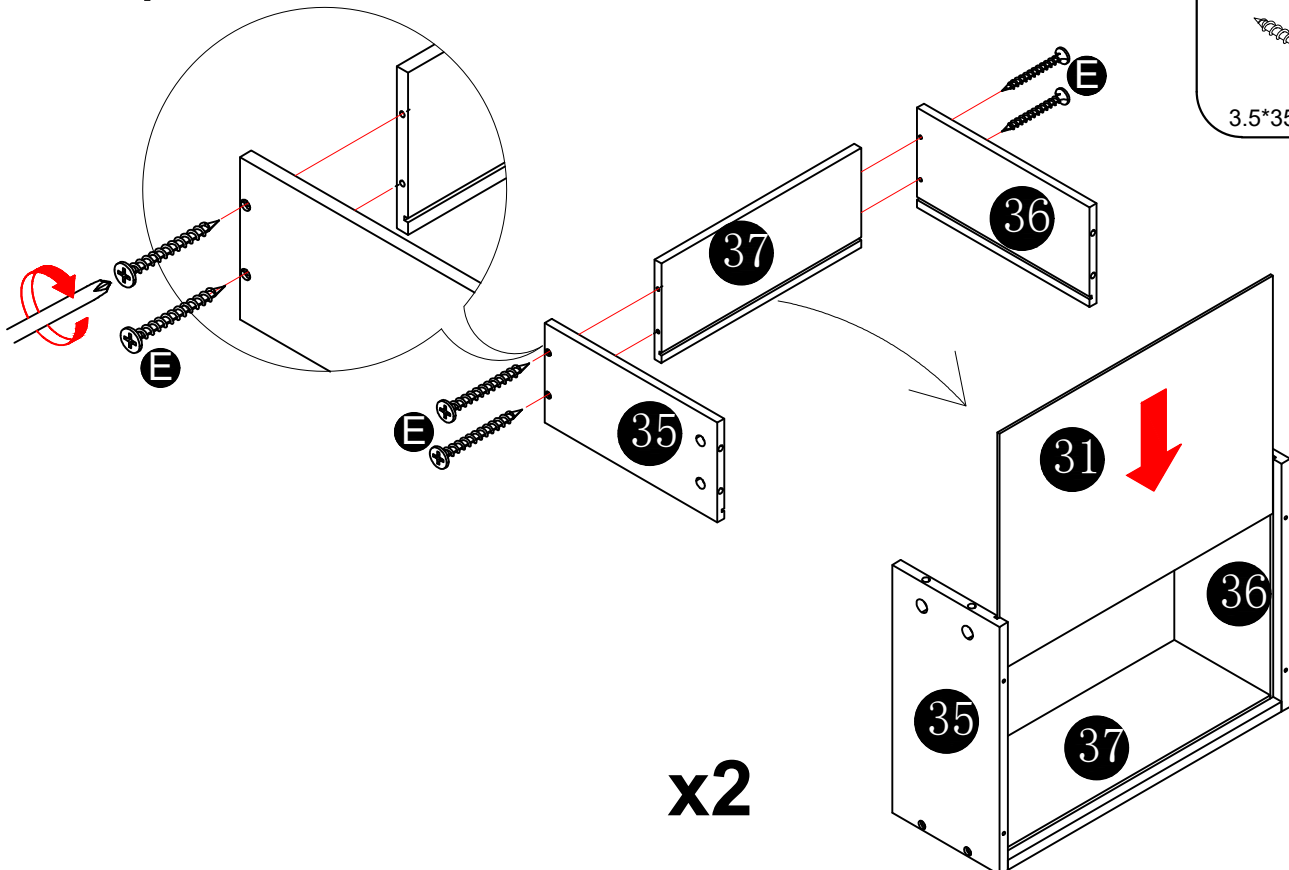


# Step:22

E

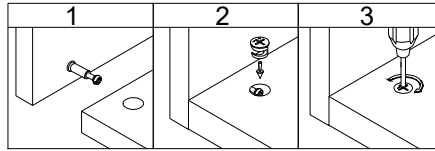


3.5\*35 8PCS



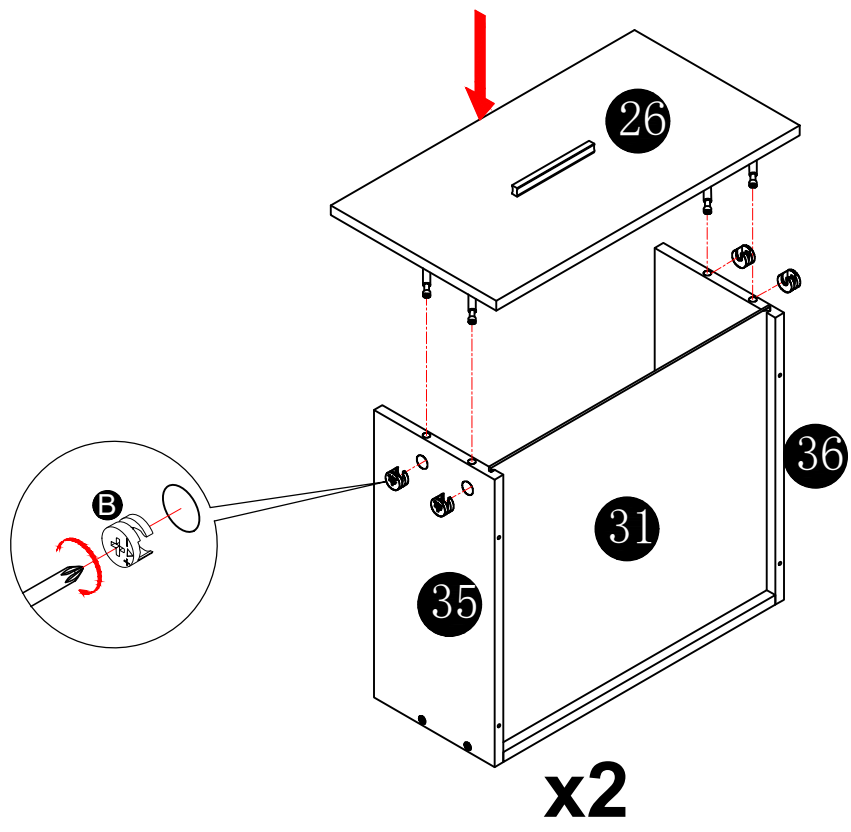
x2

# Step:23



**B**

Ø15\*10 8PCS



# Step:24

**DL**

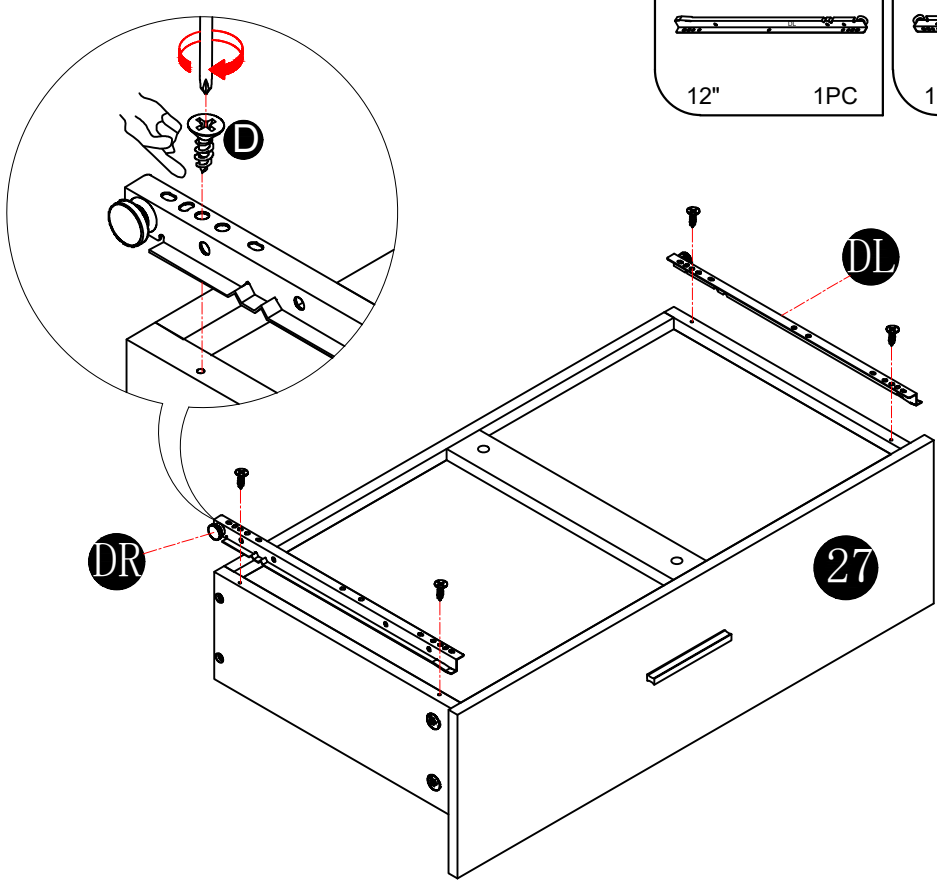
12" 1PC

**DR**



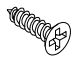
12" 1PC

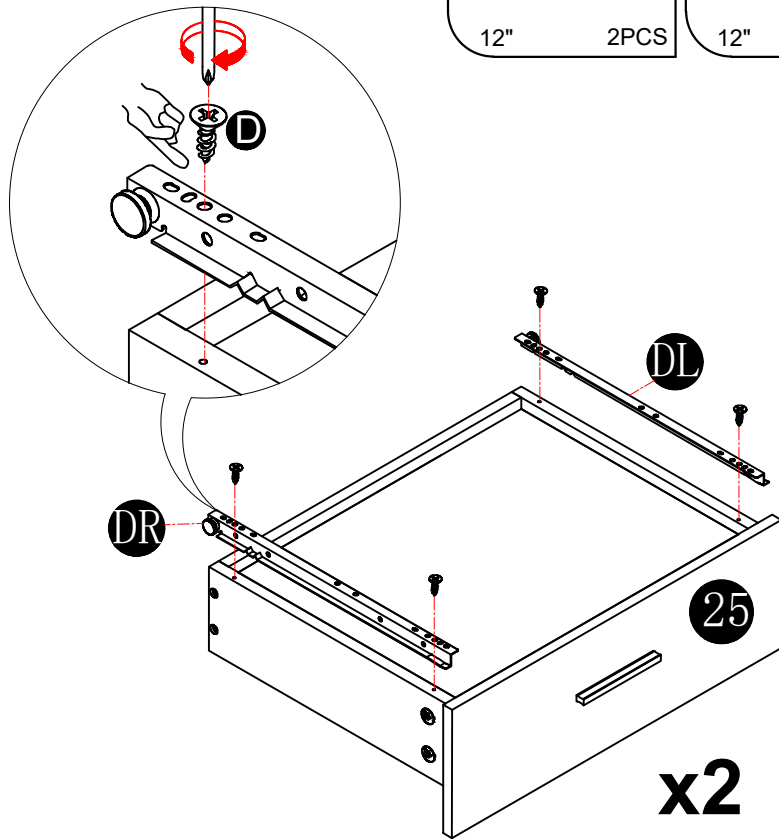
**D**

3.5\*12 4PCS


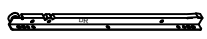



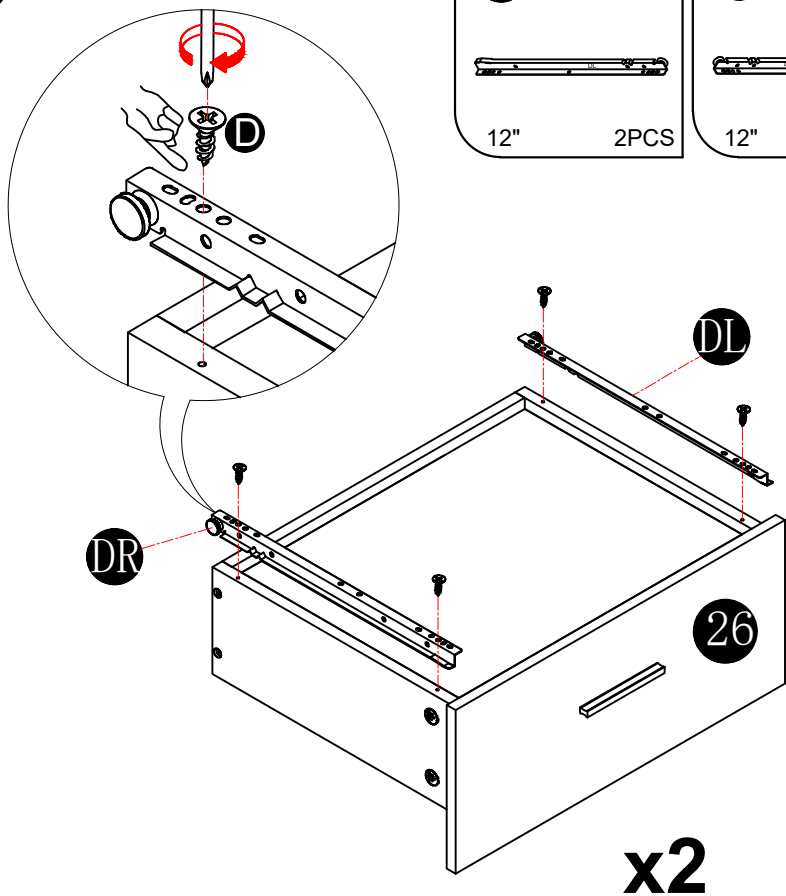
# Step:25

<b>DL</b>  12" 2PCS	<b>DR</b>  12" 2PCS	<b>D</b>  3.5*12 8PCS
---	--	--

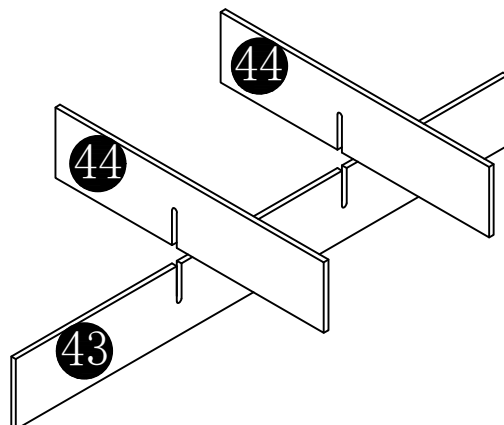


# Step:26

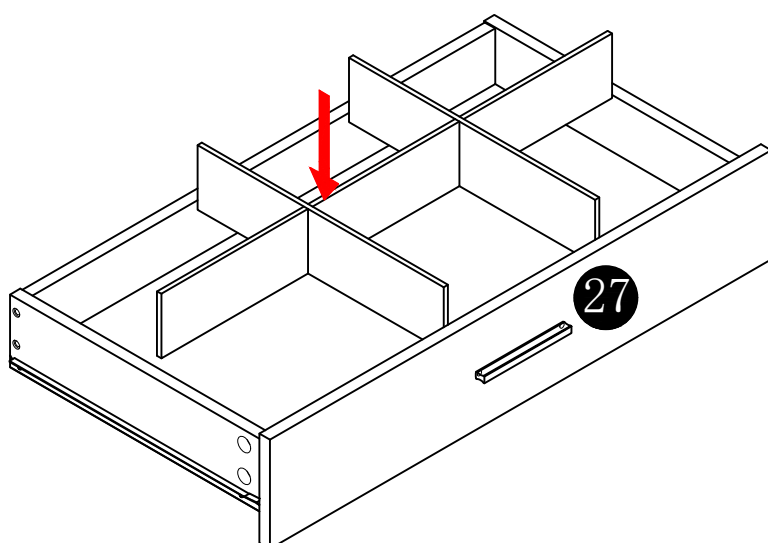
<b>DL</b>  12" 2PCS	<b>DR</b>  12" 2PCS	<b>D</b>  3.5*12 8PCS
---	--	--



## Step:27

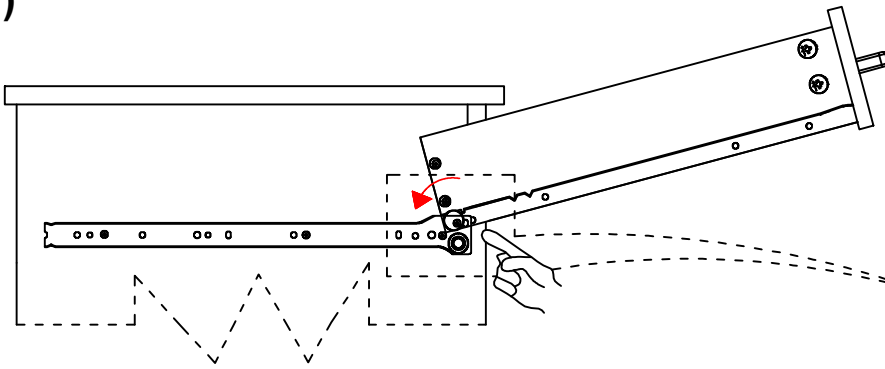


## Step:28

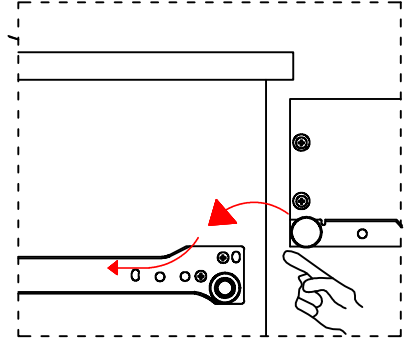
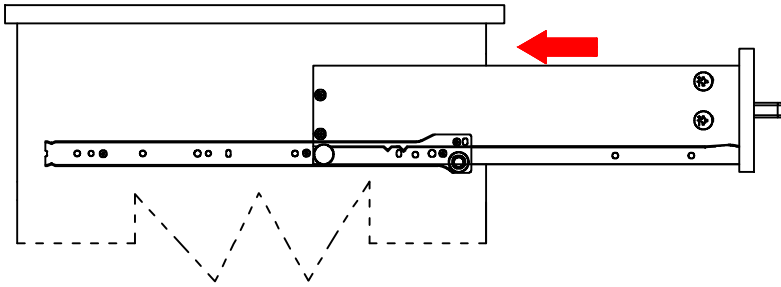


# Step:29

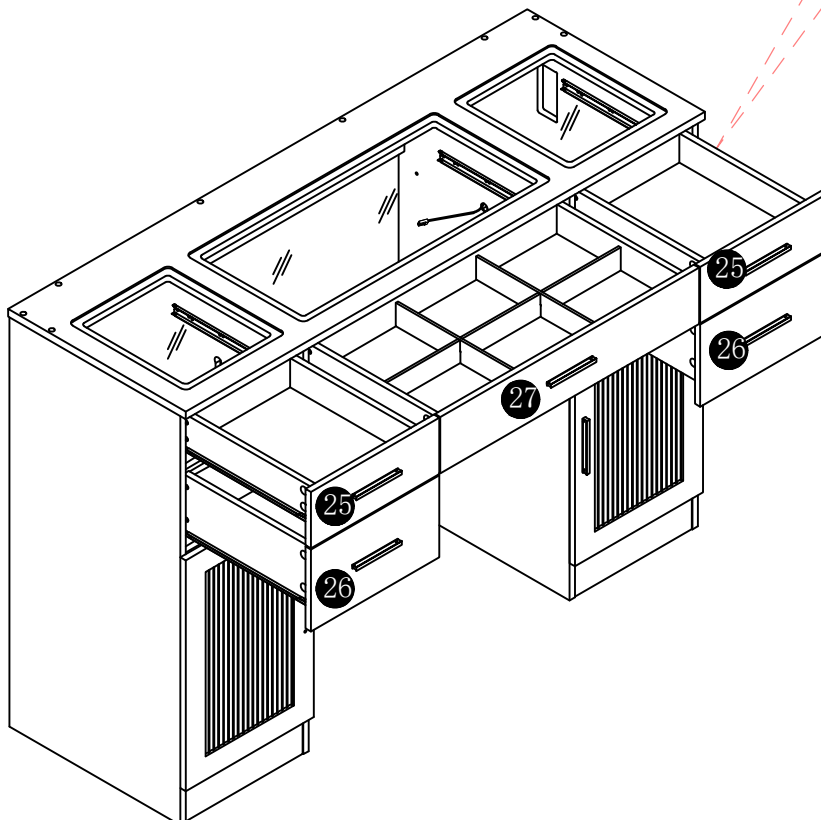
(1)



(2)



**x5**



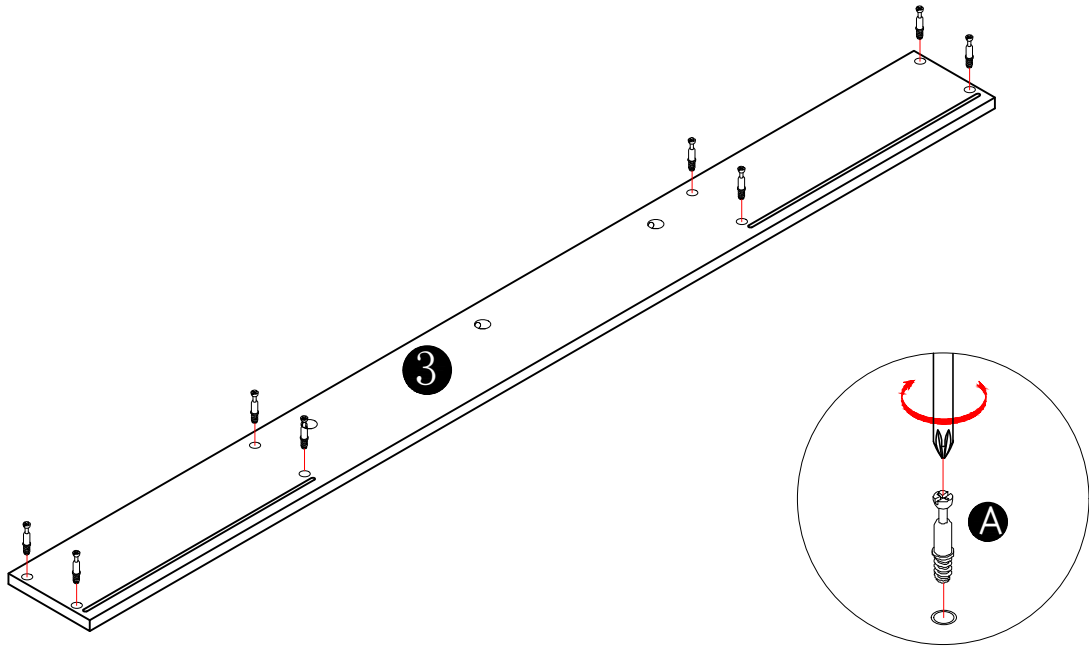
# Step:30

A



6\*35

8PCS



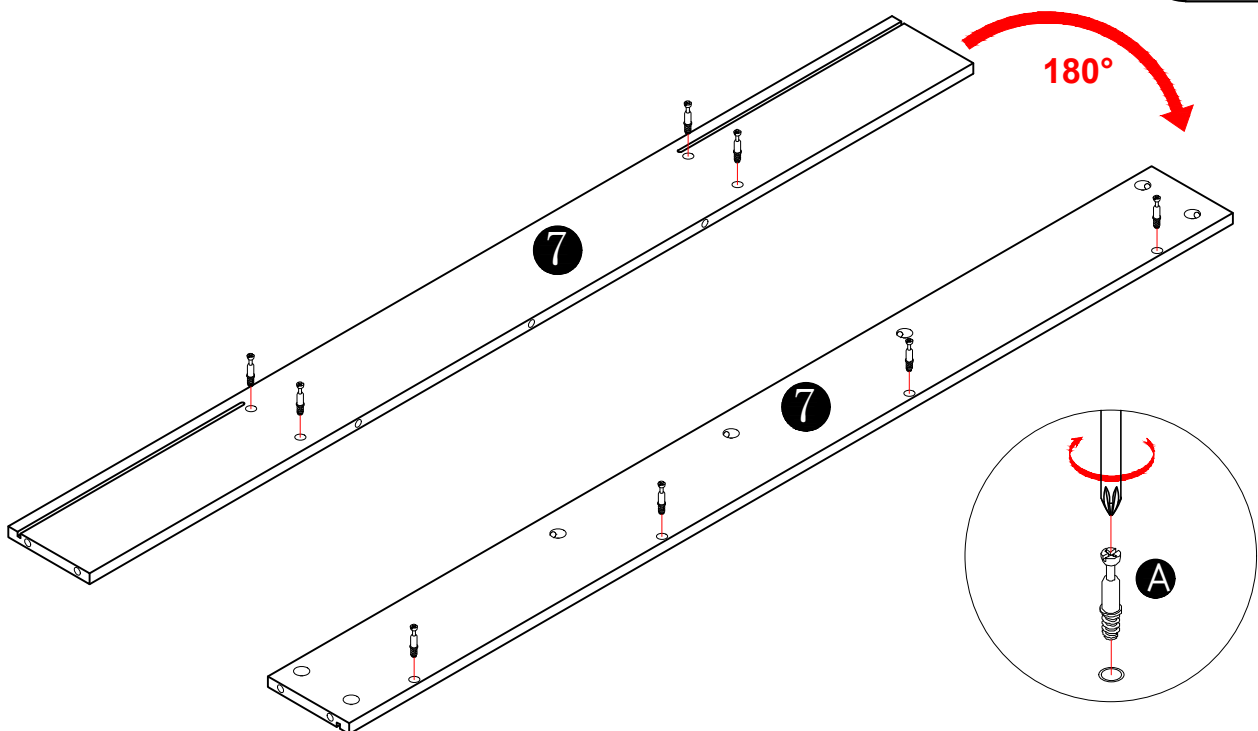
# Step:31

A



6\*35

8PCS



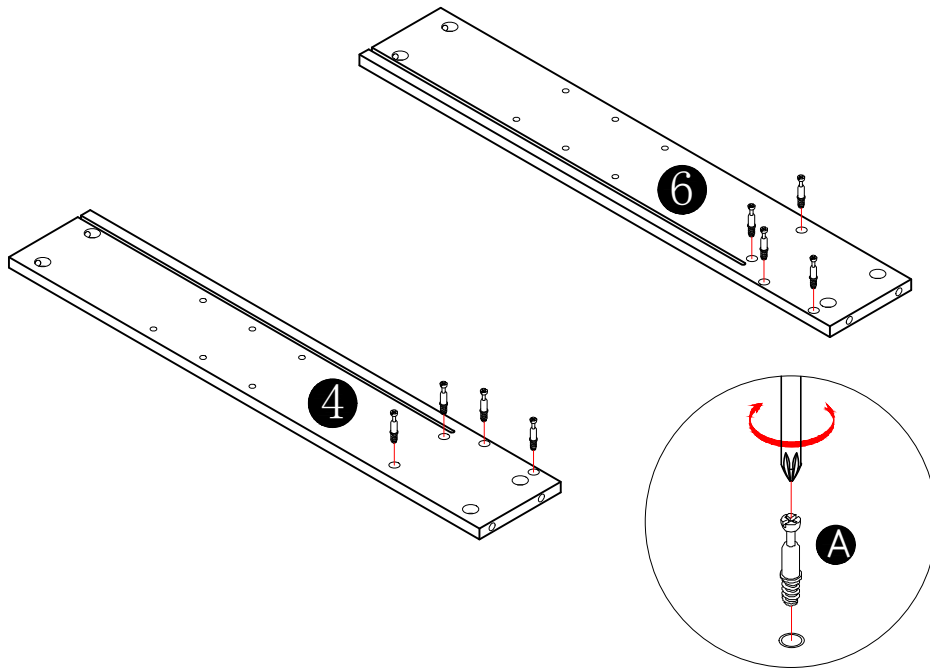
# Step:32

A



6\*35

8PCS



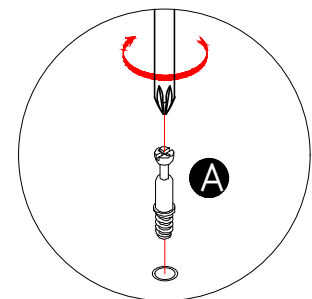
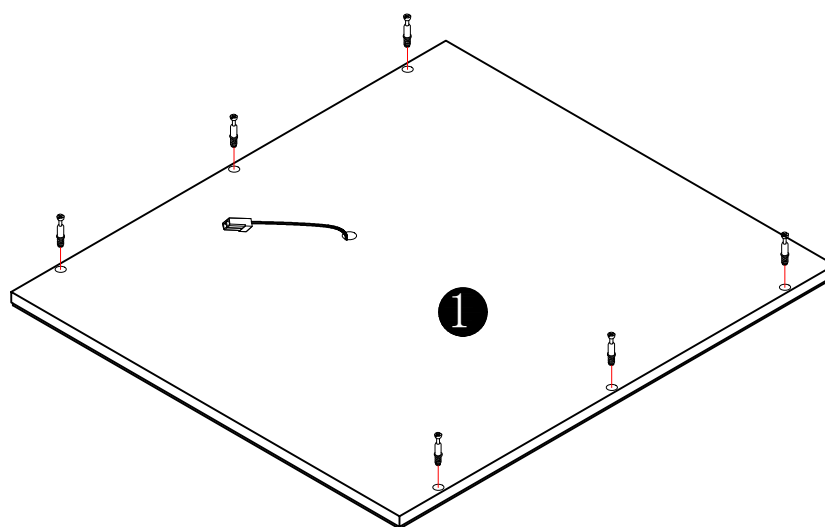
# Step:33

A



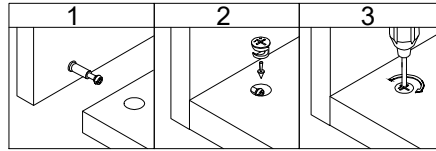
6\*35

6PCS



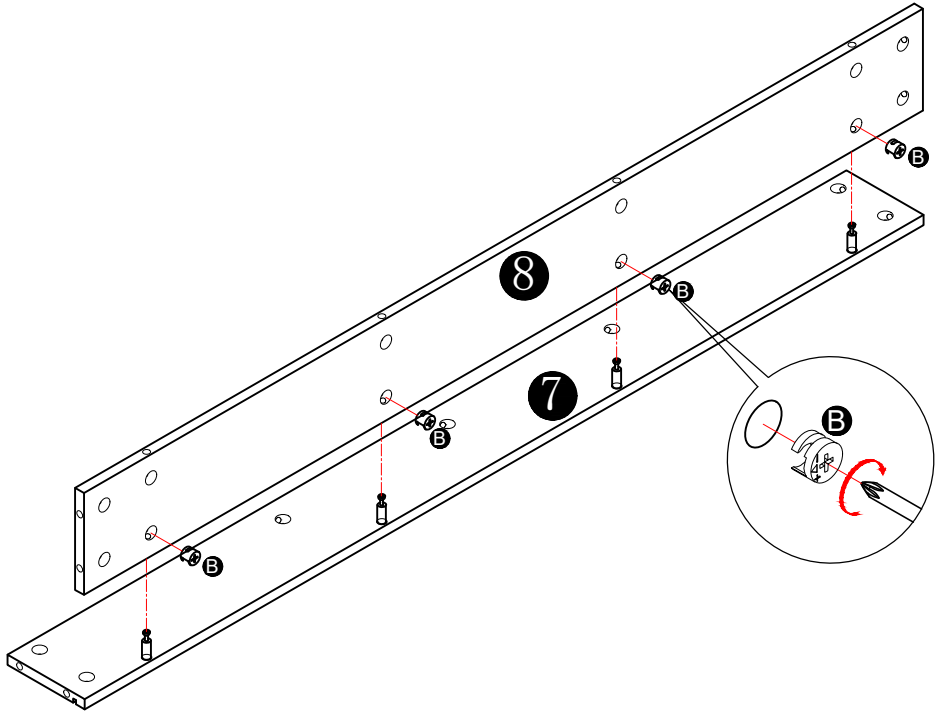
★ Place cotton padding at the bottom during assembly.  
Attention: Mirror Is Fragile,  
Please Move It with Care.

# Step:34

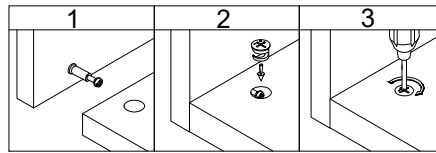


**B**

Ø15\*10 4PCS

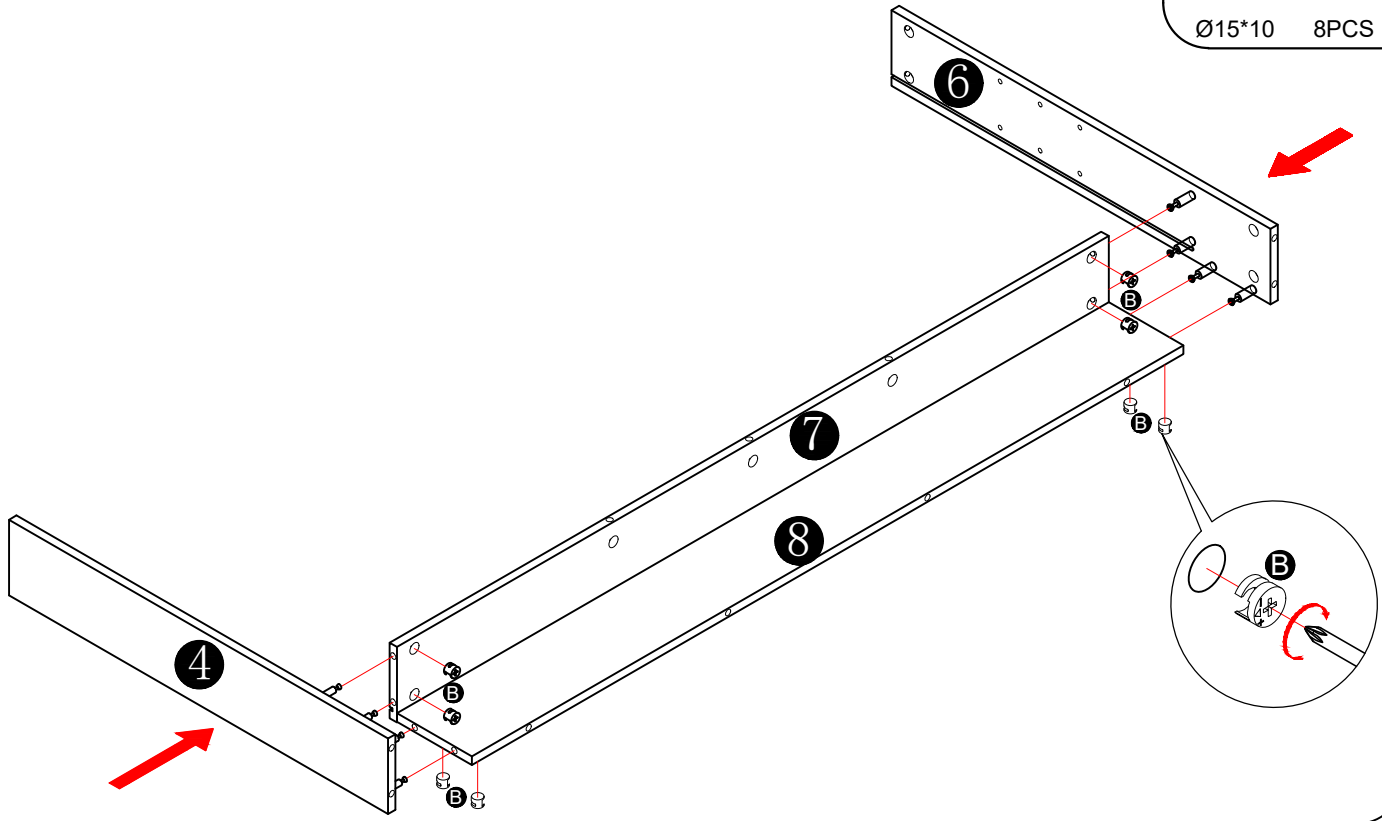


# Step:35

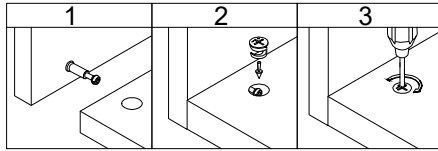


**B**

Ø15\*10 8PCS

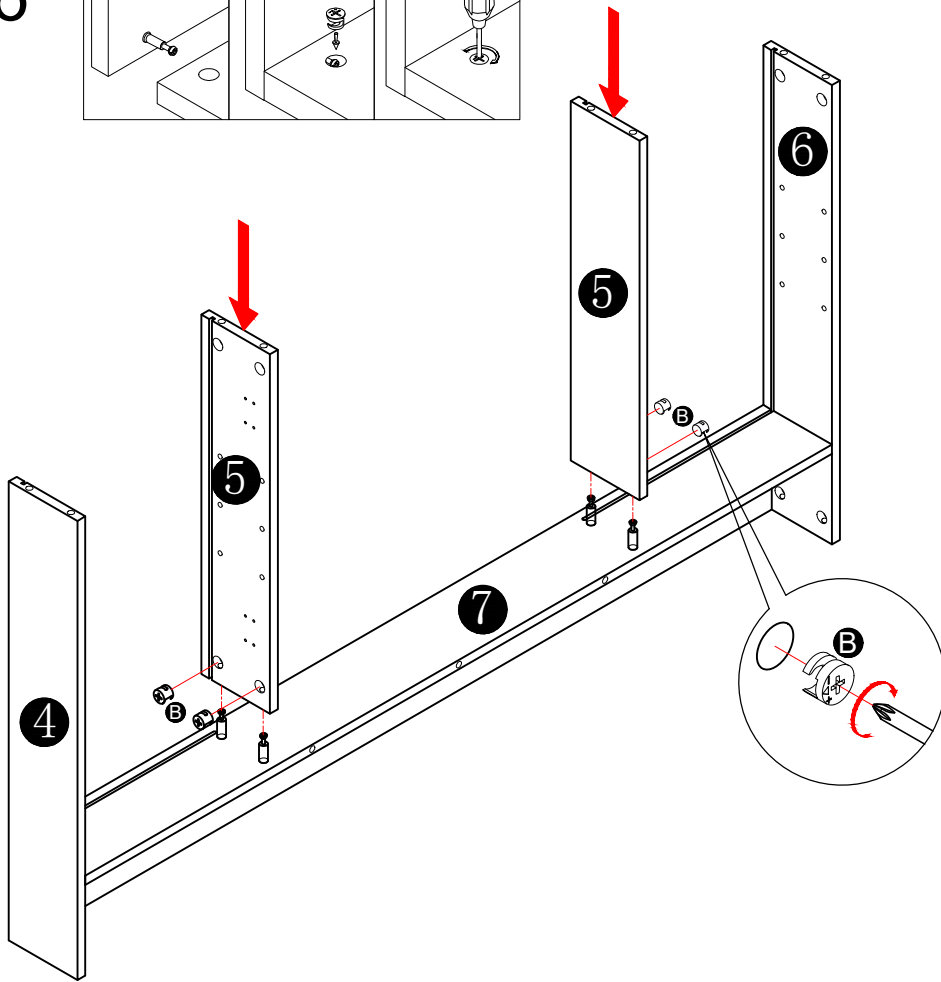


# Step:36

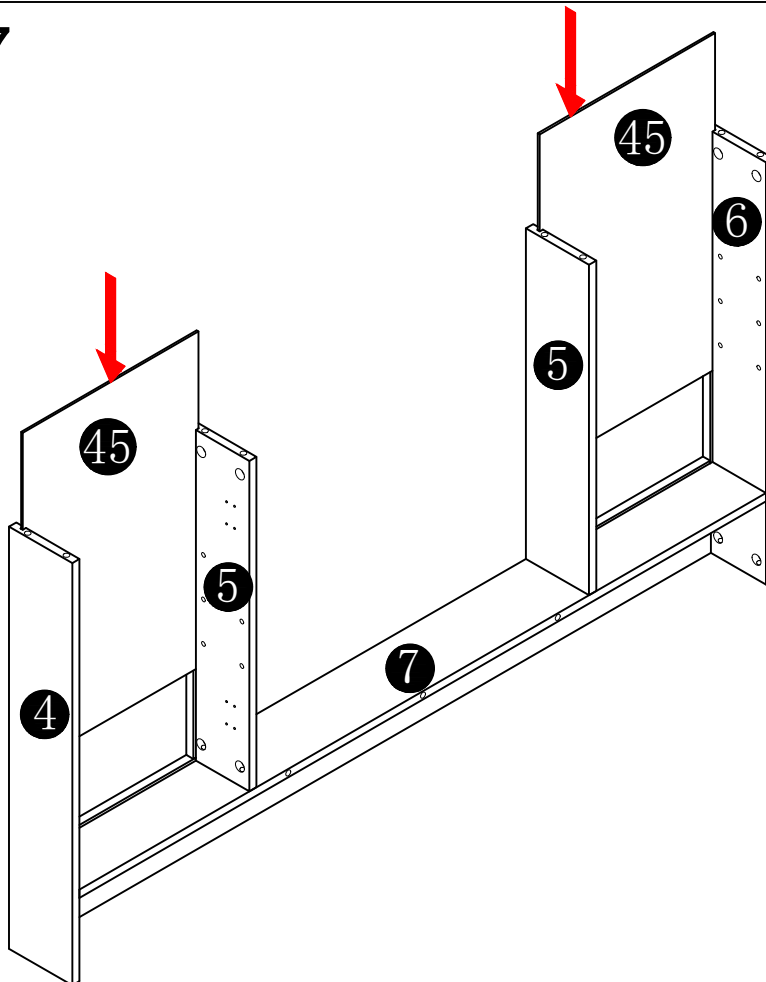


**B**

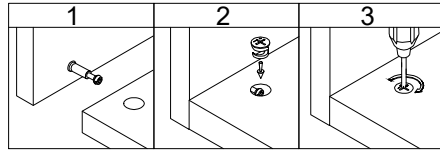
Ø15\*10 4PCS



# Step:37

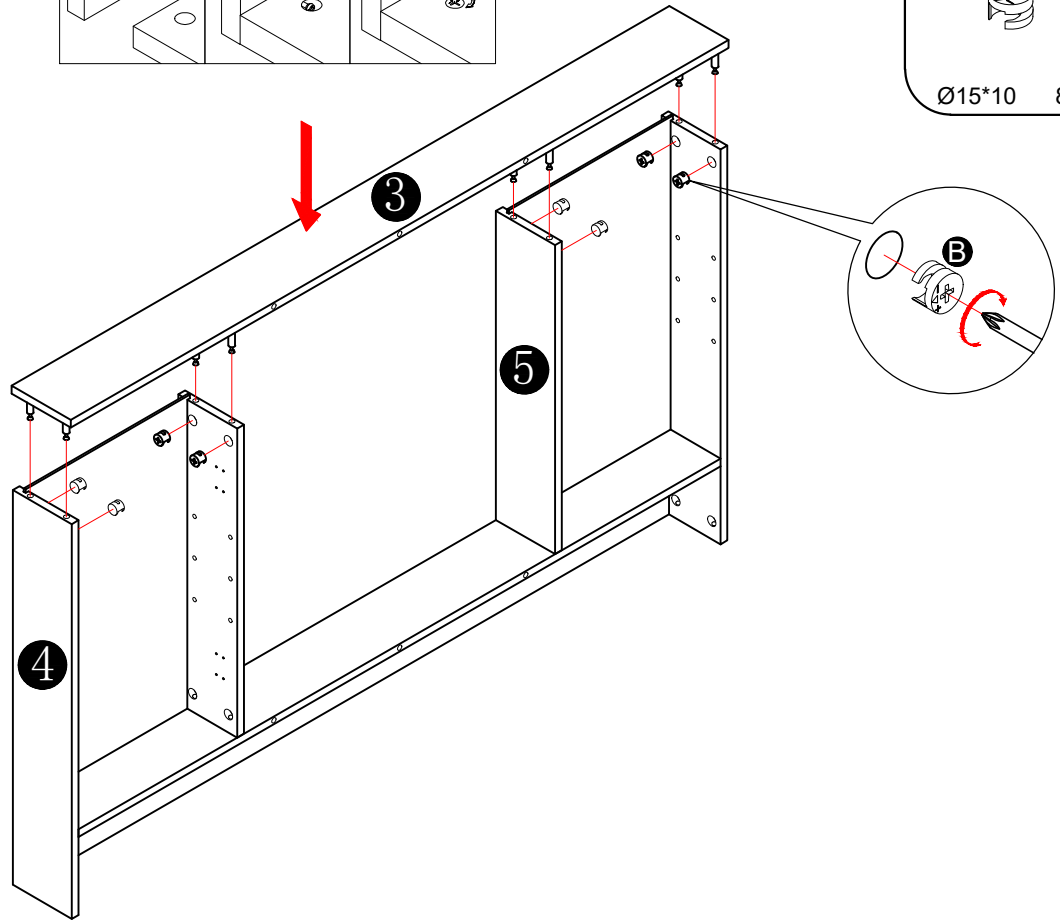


# Step:38

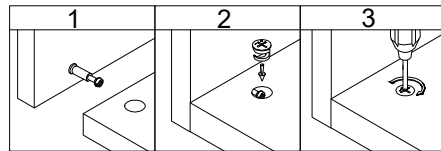


**B**

Ø15\*10 8PCS

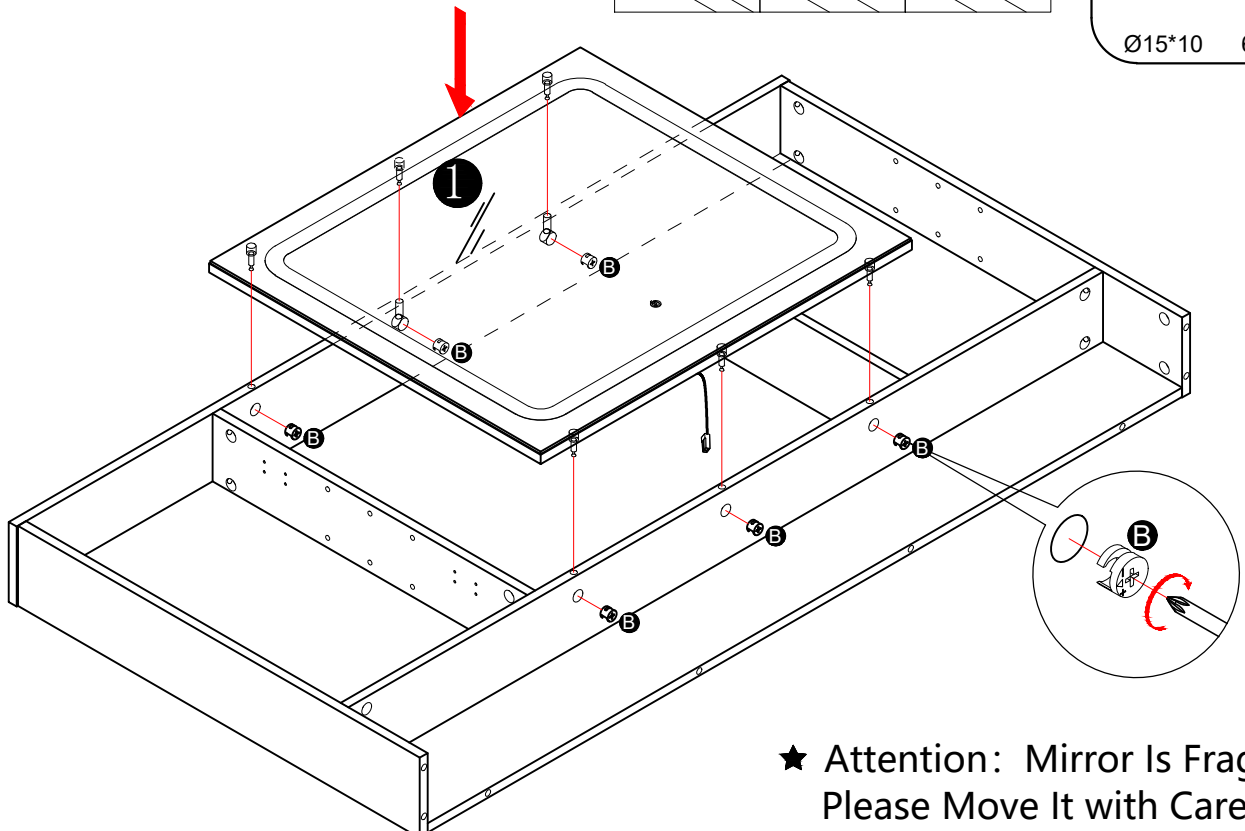


# Step:39



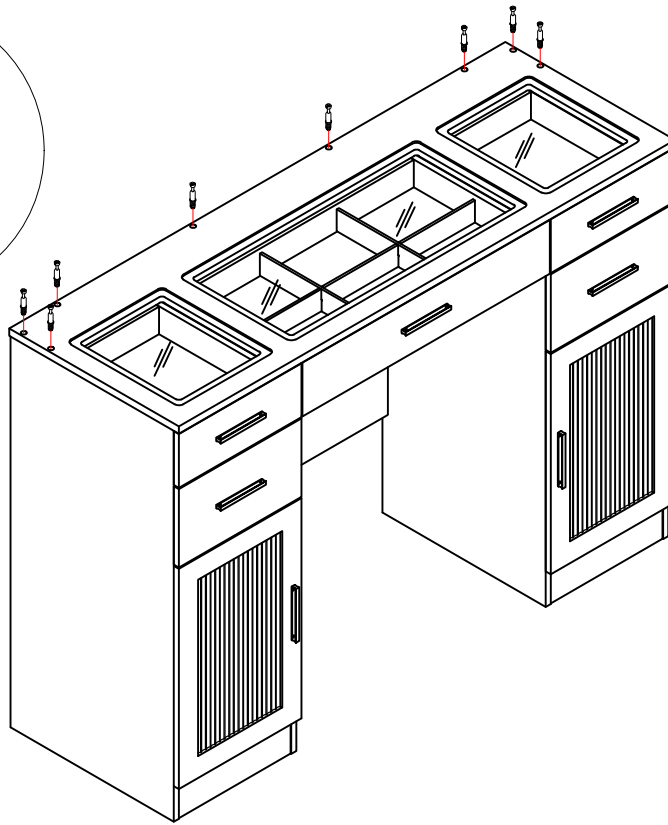
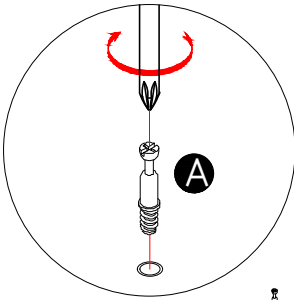
**B**

Ø15\*10 6PCS



★ Attention: Mirror Is Fragile, Please Move It with Care.

# Step:40



A

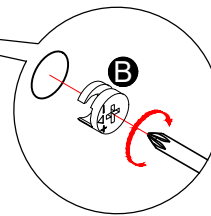
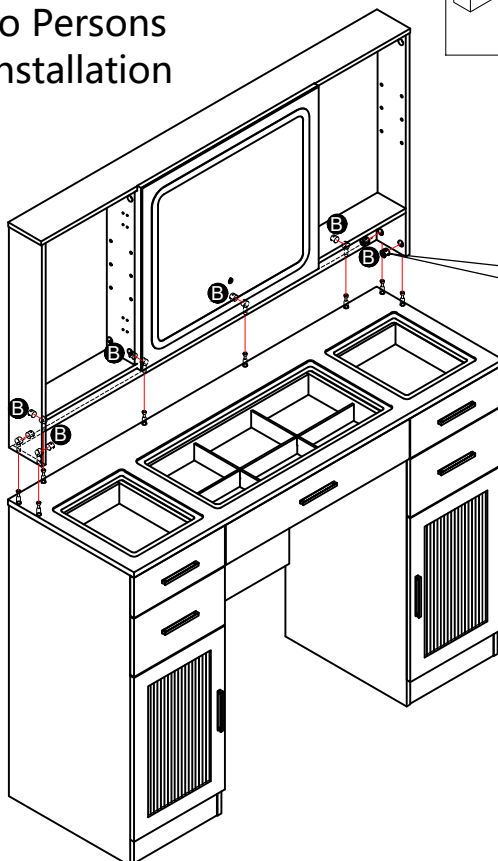
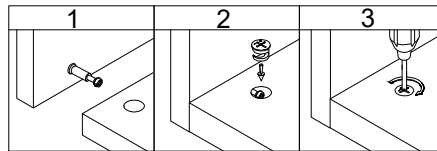


6\*35

8PCS

# Step:41

Attention: Two Persons Cooperate in Installation



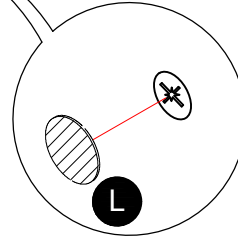
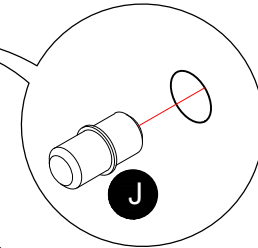
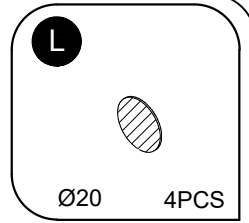
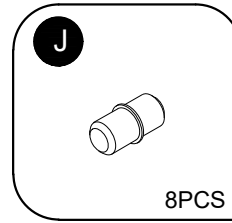
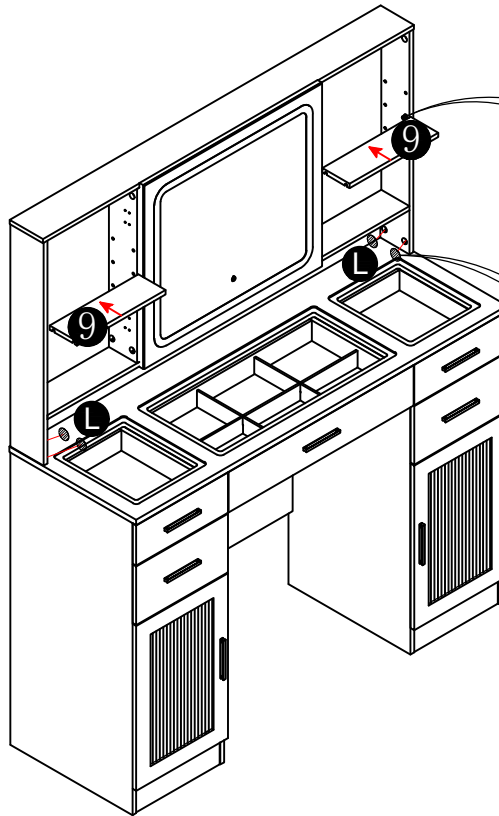
B



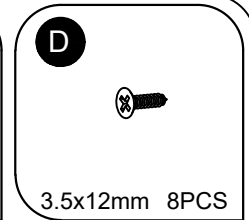
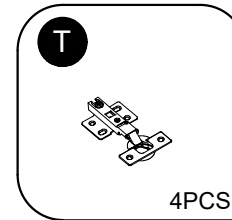
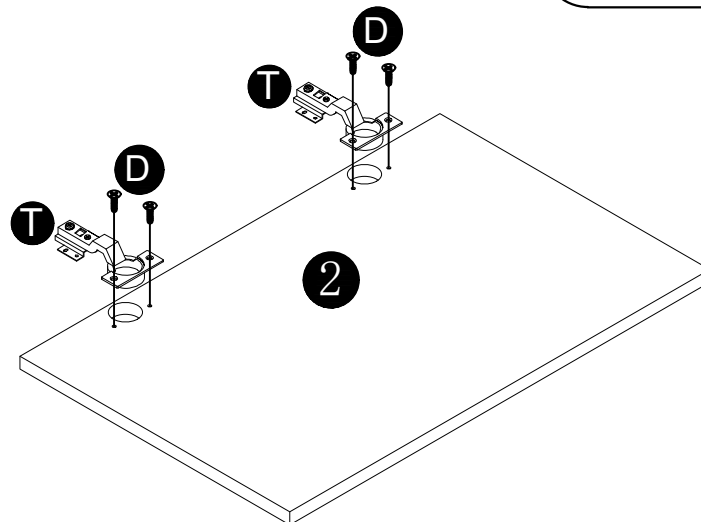
Ø15\*10

8PCS

# Step:42



# Step:43

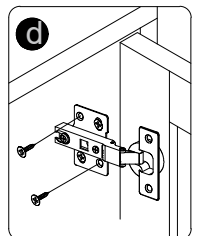
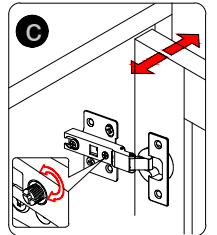
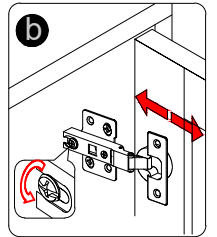
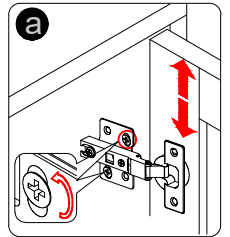
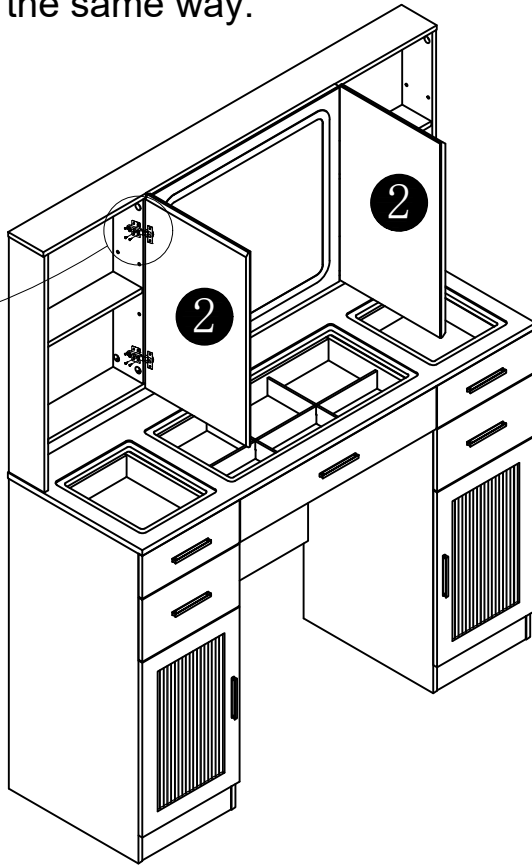
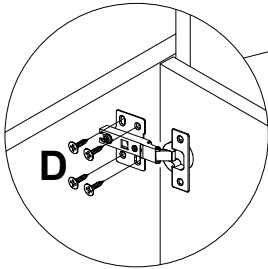
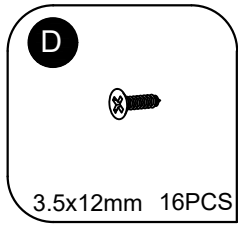


**x2**

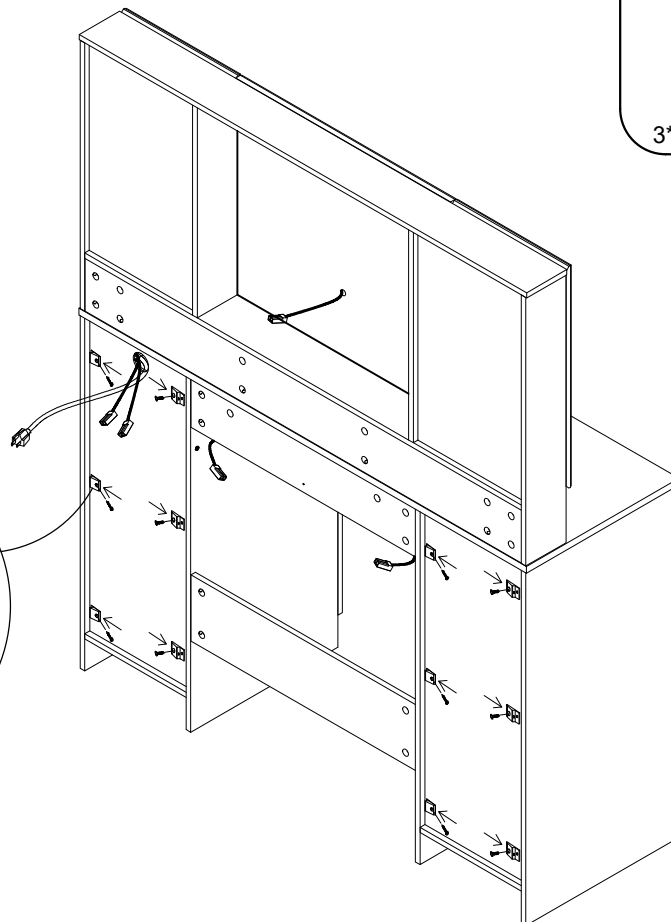
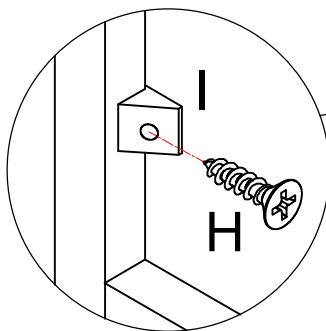
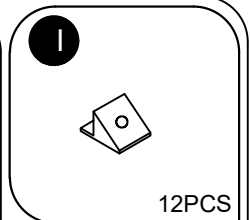
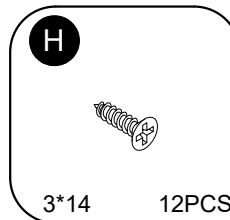
★ Place cotton padding at the bottom during assembly.  
Attention: Mirror Is Fragile, Please Move It with Care.

# Step:44

Door panel No. 2 is installed in the same way.



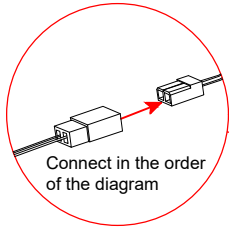
# Step:45



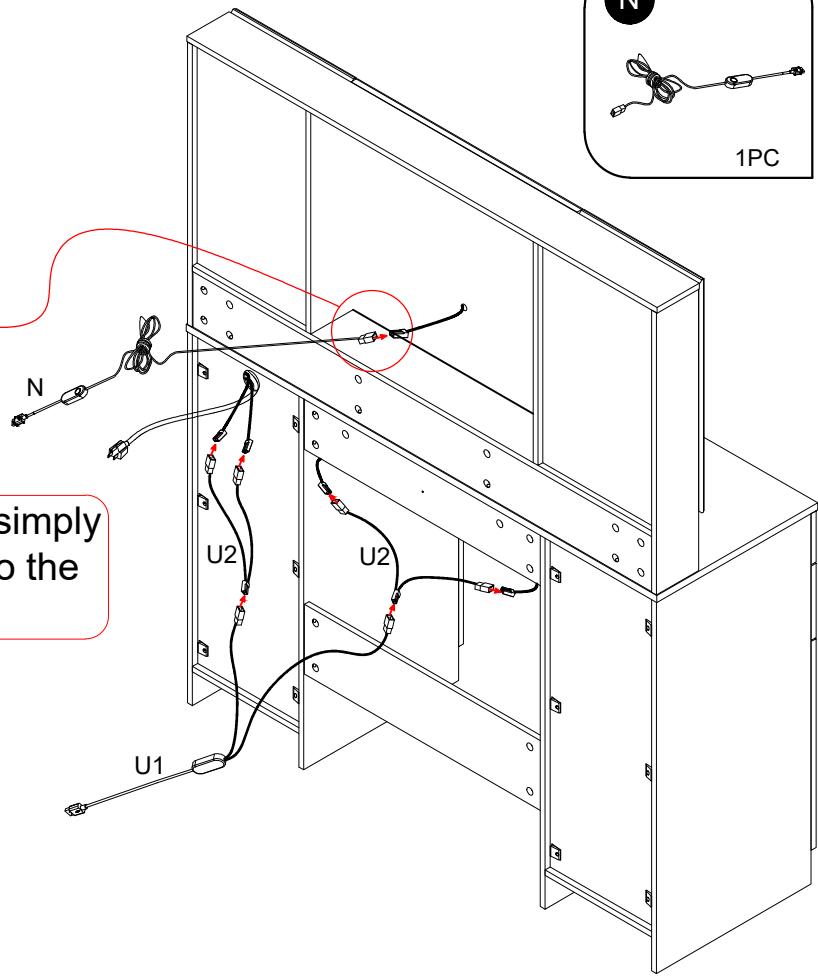
# Step:46

**N**  
1PC

**U**  
U1 1PC  
U2 2PCS

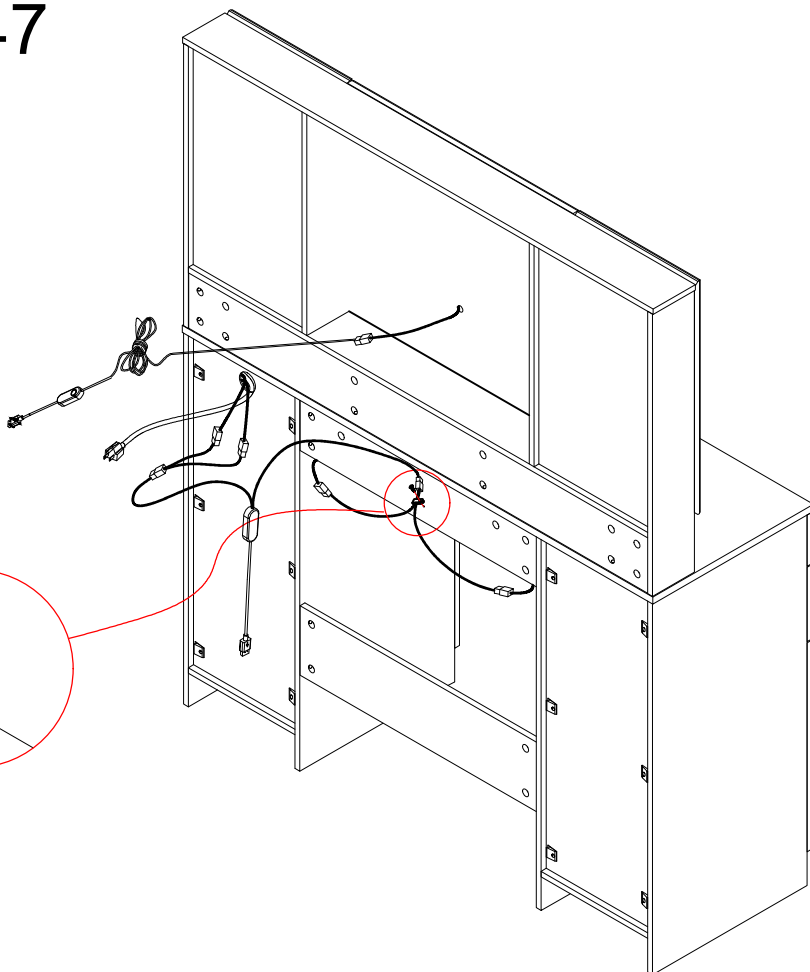
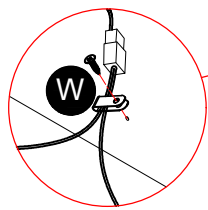


Serial number N/U1, simply plug the other end into the USB socket.



# Step:47

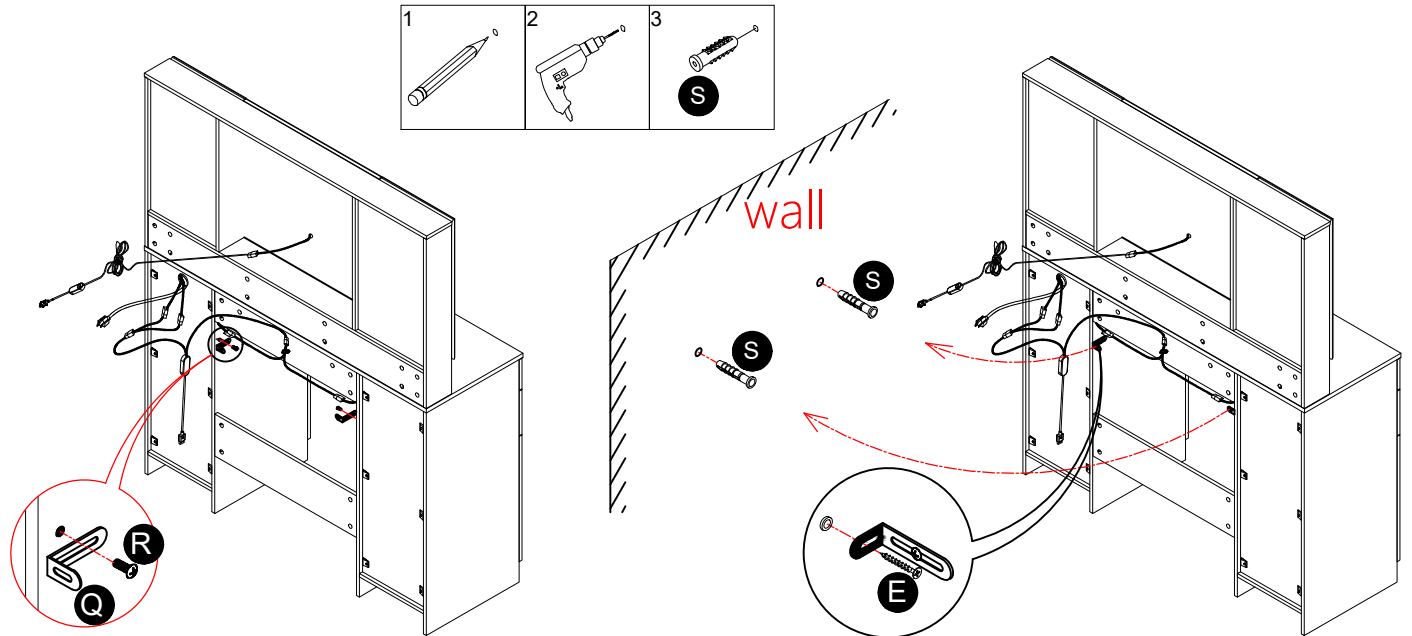
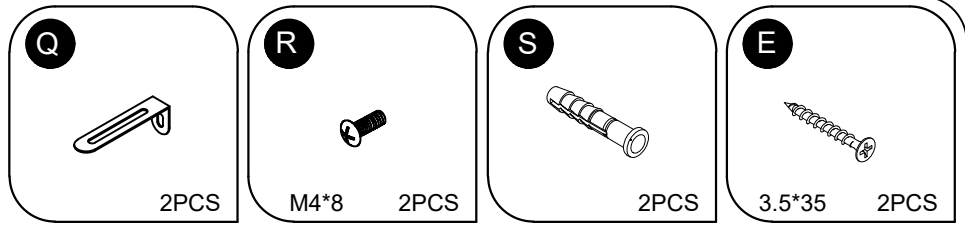
**W**  
3x10mm  
1 SET



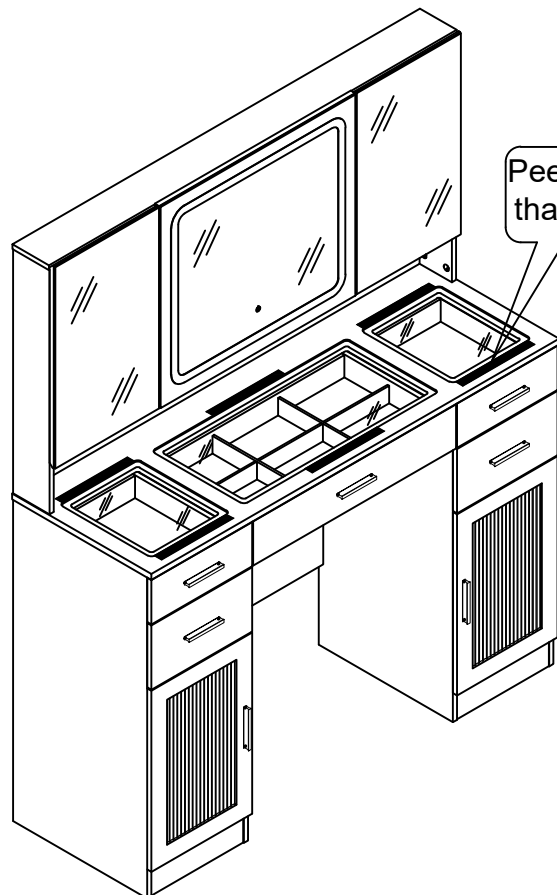
# Step:48

## WARNING

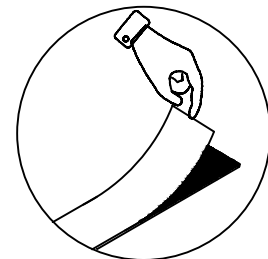
Serious or fatal injuries can occur from furniture tipping over. To prevent the furniture from tipping over we recommend that it is permanently fixed to the wall. Wall anchor and hardware are included with this product. Please make sure hardware is suitable for your walls before installing, as different wall materials may require different types of anchors.



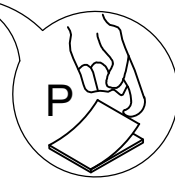
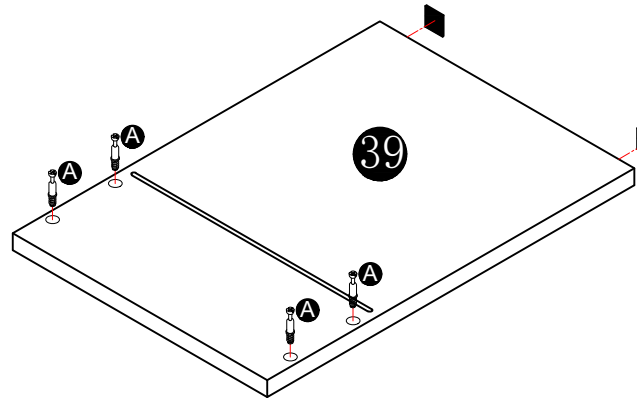
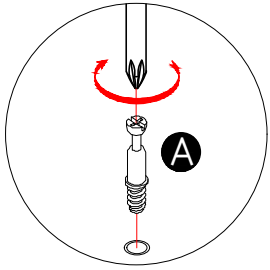
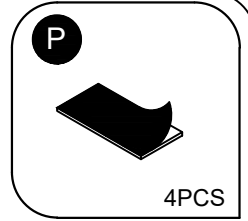
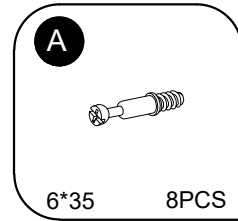
# Step:49



Peel off the adhesive film and glass film that fix the glass; clean it up with a rag.

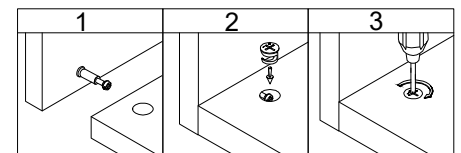
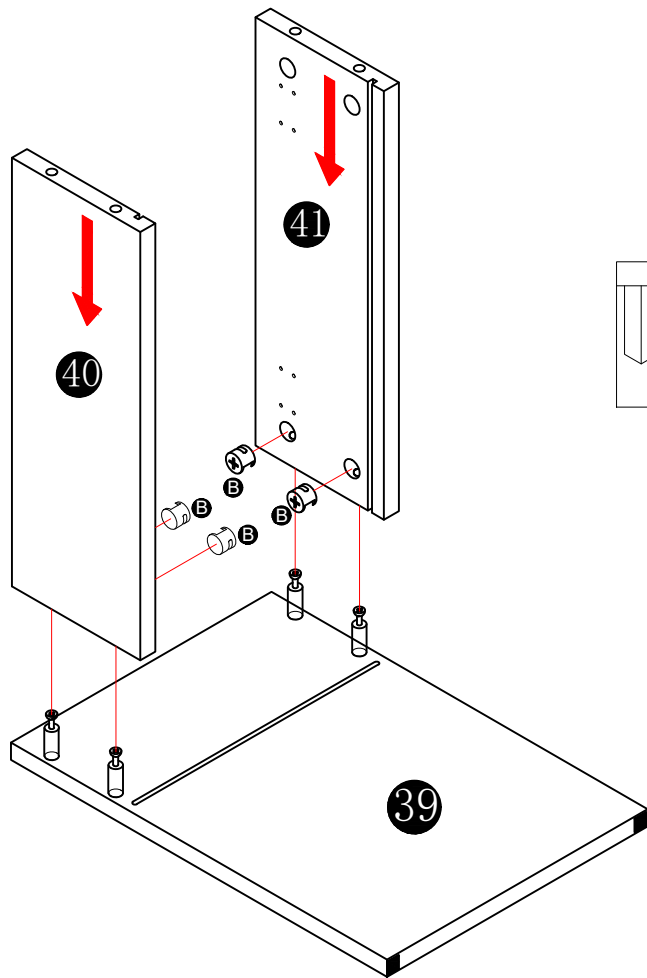
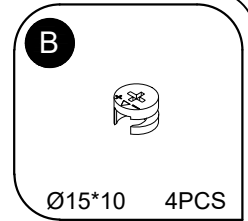


# Step:50

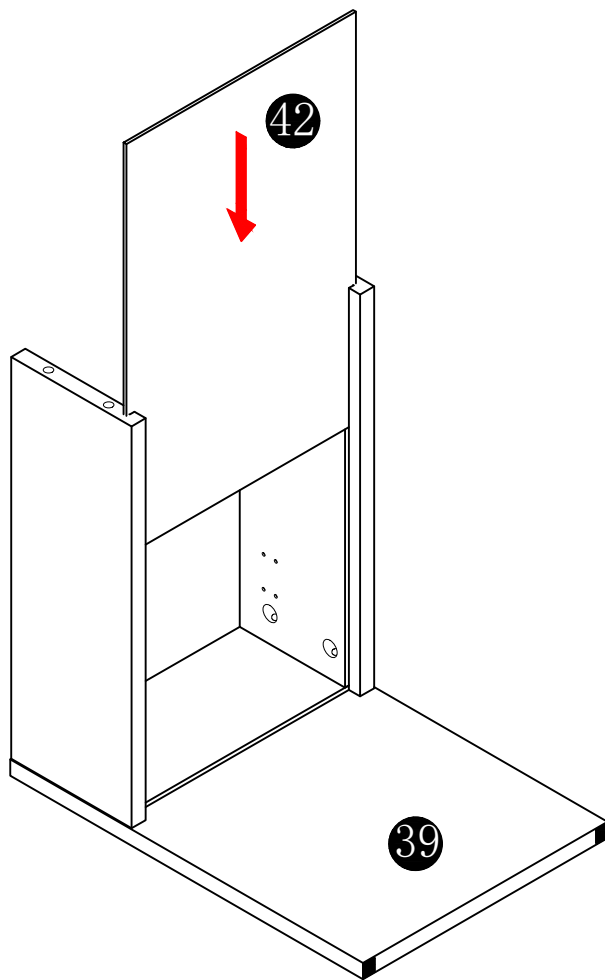


x2

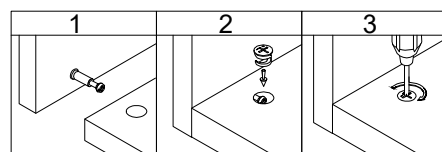
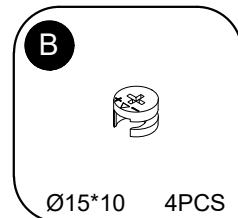
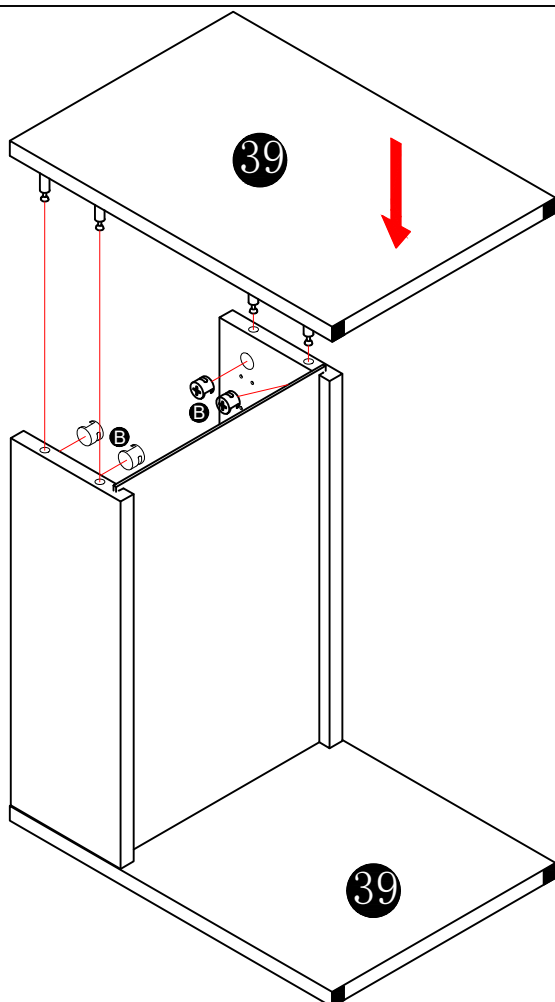
# Step:51



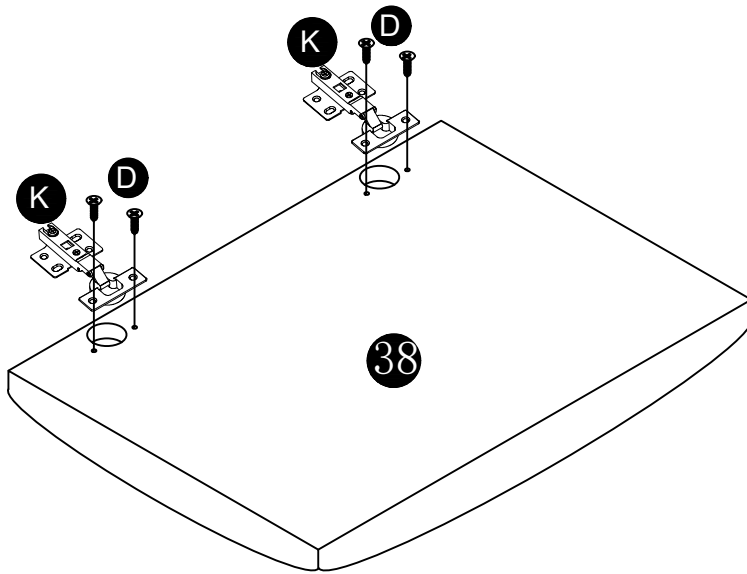
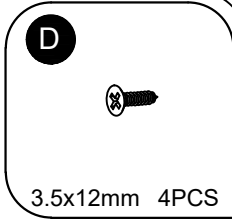
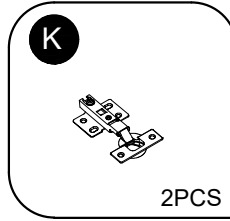
# Step:52



# Step:53



# Step:54



# Step:55

