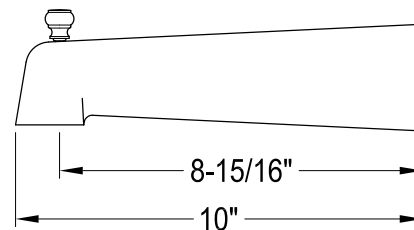
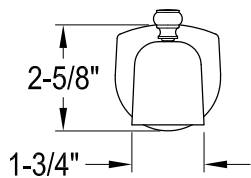
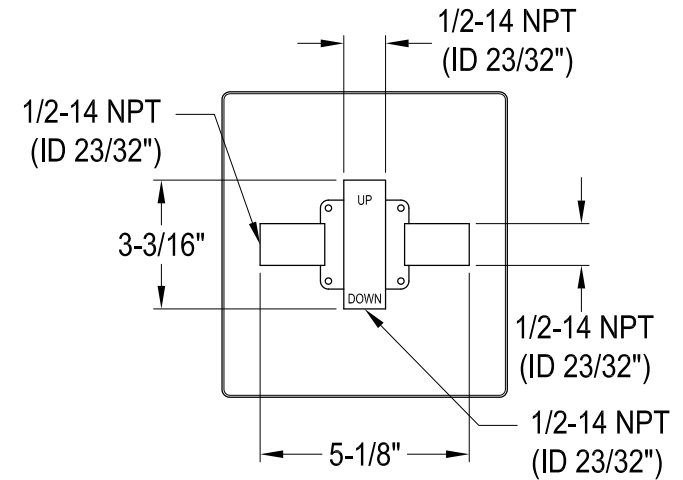
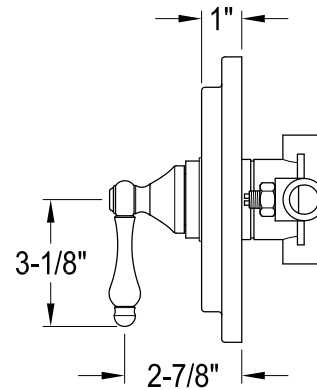
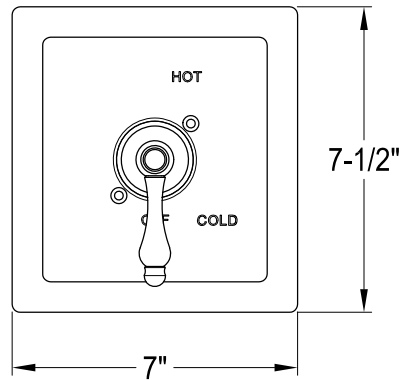
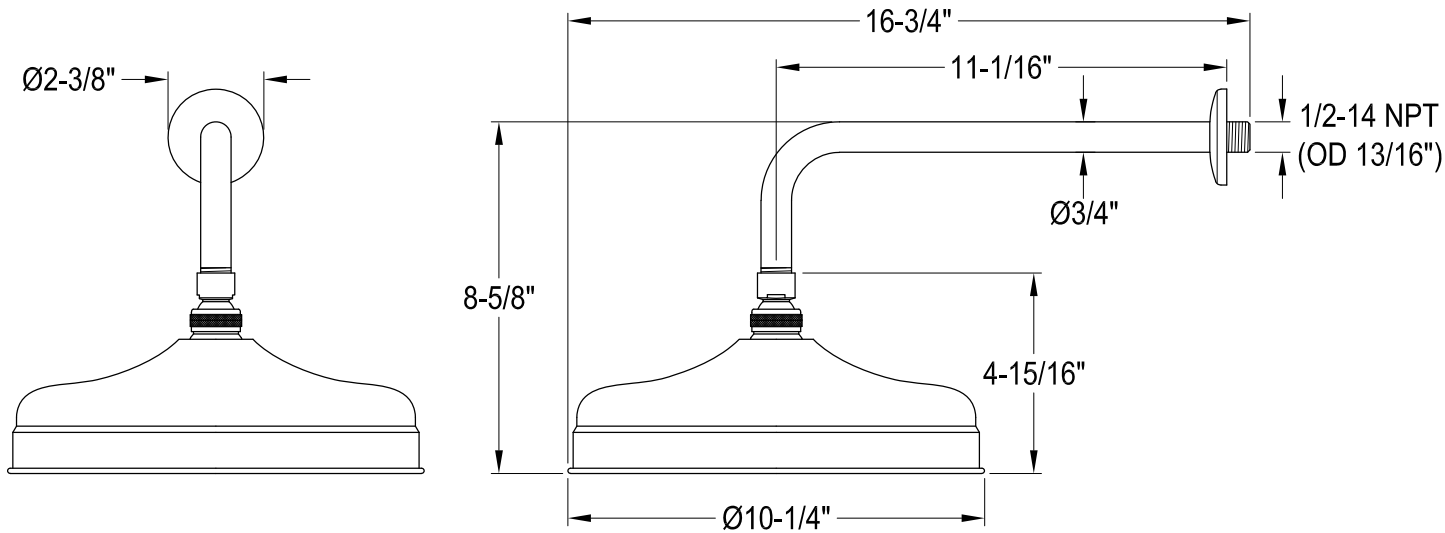


KB6140,1,2,3,7,8AL

Single Handle Pressure Balanced Tub & Shower Faucet



Fit $1/2\text{'}$ Copper Pipe (OD $5/8\text{'}$)
or $1/2\text{-}14\text{ NPT}$ (ID $23/32\text{'}$)
or $3/4\text{-}14\text{ NPT}$ (ID $15/16\text{'}$)