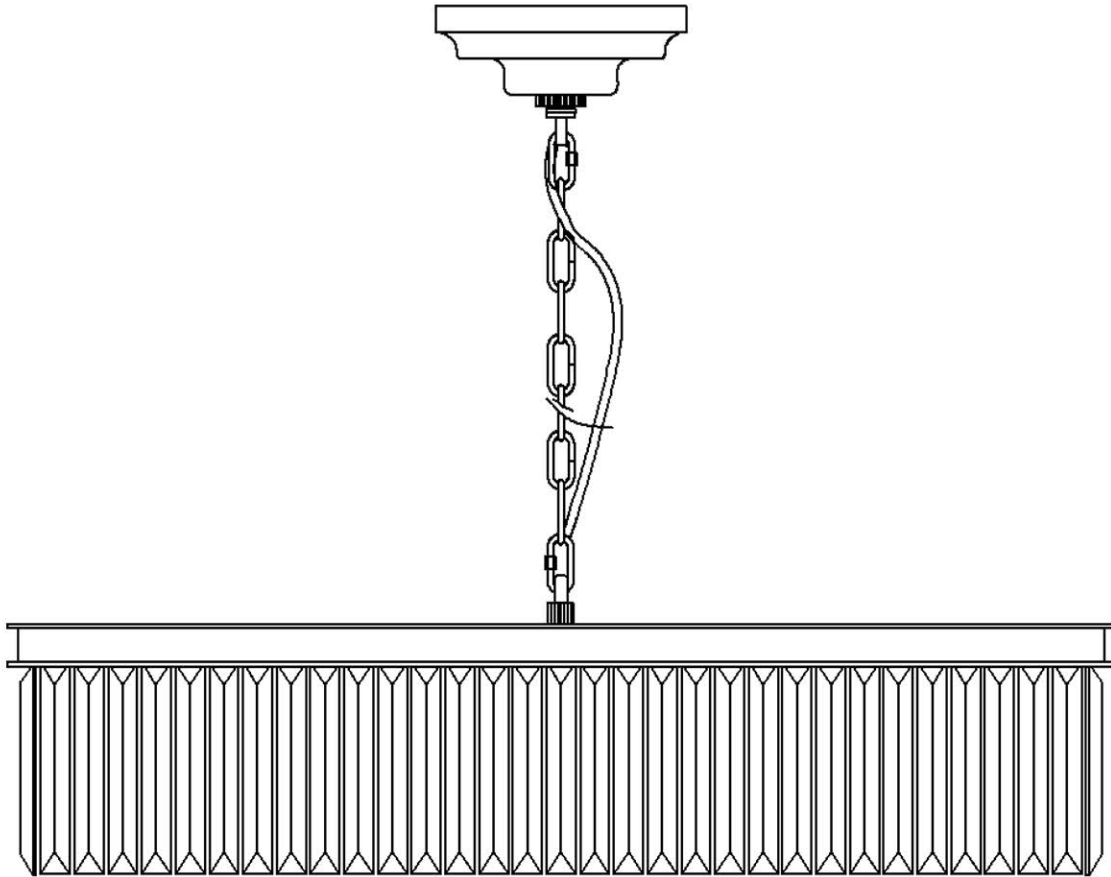


# USE AND CARE GUIDE

---



---

## THANK YOU


Thank you for your trust and confidence in us through purchasing this lighting fixture. We strive to continuously create high-quality products aimed at enhancing your home environment. Please visit our website to view the full range of products we offer for your home improvement needs. Thank you for choosing us.


# Table of Contents

Table of Contents.....	2	Hardware Included.....	3
Safety Information.....	2	Package Contents.....	4
Warranty.....	2	Installation .....	5
Pre-Installation .....	3	Operation .....	7
Planning Installation.....	3	Care and Cleaning .....	7
Tools Required.....	3	Troubleshooting.....	7

# Safety Information

Consult a qualified electrician if you have any electrical questions.

 **CAUTION:** Inspect the wire insulation for any cuts, abrasions, or exposed copper that may have resulted during shipping. If there is a defect in the wire, do not attempt installation.

 **WARNING:** Before starting installation of this fixture or removal of a previous fixture, disconnect the power by turning off the circuit breaker or by removing the fuse at the fuse box.

# Warranty

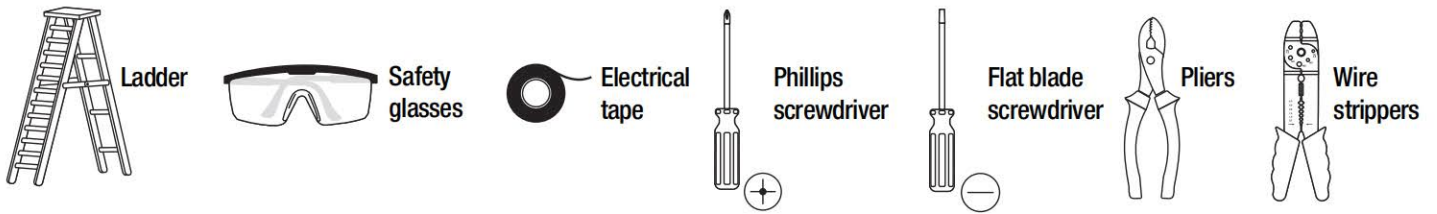
The manufacturer warrants this lighting fixture to be free from defects in materials and workmanship for a period of one years from date of purchase. This warranty applies only to the original consumer purchaser and only to products used in normal use and service. If this product is found to be defective, the manufacturer’s only obligation, and your exclusive remedy, is the repair or replacement of the product at the manufacturer’s discretion, provided that the product has not been damaged through misuse, abuse, accident, modifications, alterations, neglect, or mishandling. This warranty shall not apply to any product that is found to have been improperly installed, set-up, or used in any way not in accordance with the instructions supplied with the product. This warranty shall not apply to a failure of the product as a result of an accident, misuse, abuse, negligence, alteration, faulty installation, or any other failure not relating to faulty material or workmanship. This warranty shall not apply to the finish on any portion of the product, such as surface and/or weathering, as this is considered normal wear and tear. The manufacturer does not warrant and specifically disclaims any warranty, whether express or implied, of fitness for a particular purpose, other than the warranty contained herein. The manufacturer specifically disclaims any liability and shall not be liable for any consequential or incidental loss or damage, including but not limited to any labor / expense costs involved in the replacement or repair of said product.

# Pre-Installation

## PLANNING INSTALLATION

- Read all instructions before installation.
- To avoid damaging this product, assemble it on a soft, non-abrasive surface, such as carpet or cardboard.
- Keep your receipt and these instructions for proof of purchase.

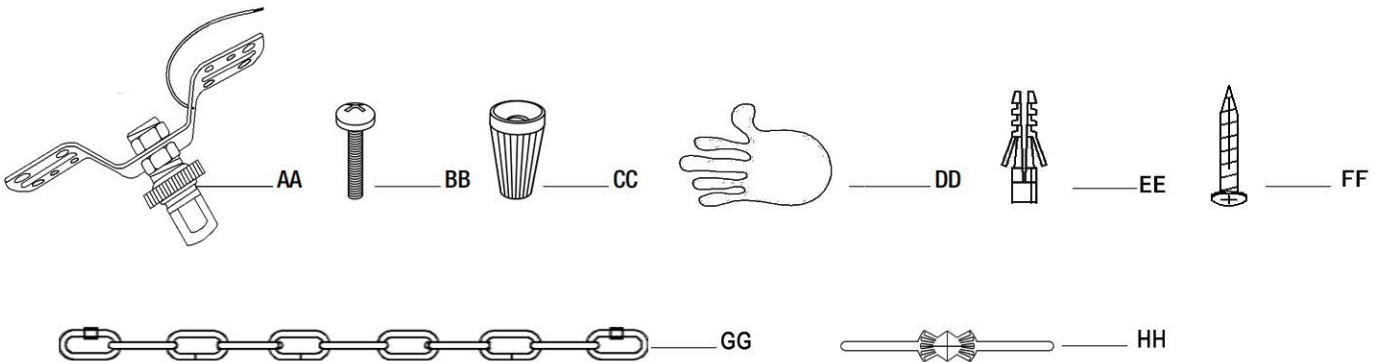
## TOOLS REQUIRED



## HARDWARE INCLUDED



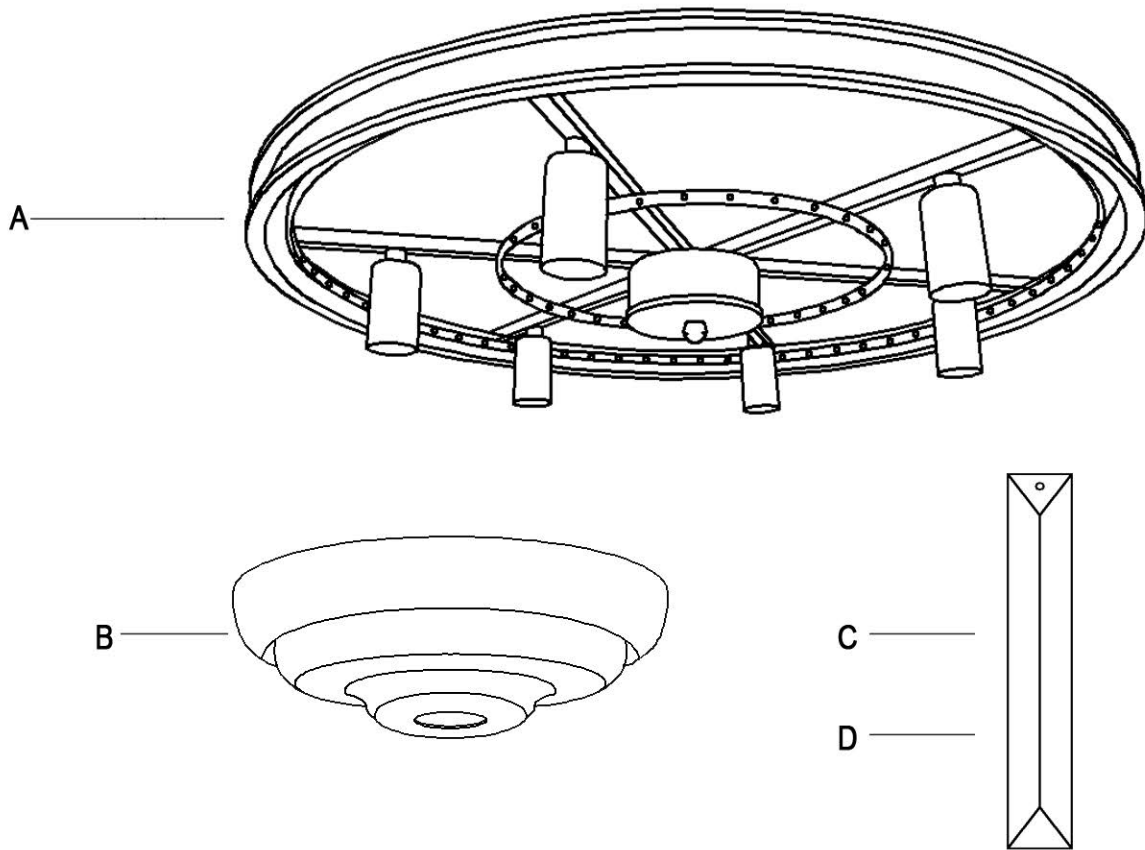
**NOTE:** Hardware not shown to actual size.



Part	Description	Quantity	Replacement Qty
AA	Mounting unit (preinstalled Ground wire )	1	
BB	Mounting screw	2	3
CC	Wire nut	3	
DD	Gloves (to be worn when installing lighting fixtures)	2	
EE	Expansion rubber plug(only applicable to cement ceilings)	4	
FF	Self tapping screws (only applicable to wooden ceilings)	4	
GG	Hanging chain with locking buckles at both ends	1	
HH	Metal crystal buckle	115	

# Pre-Installation (continued)

## PACKAGE CONTENTS

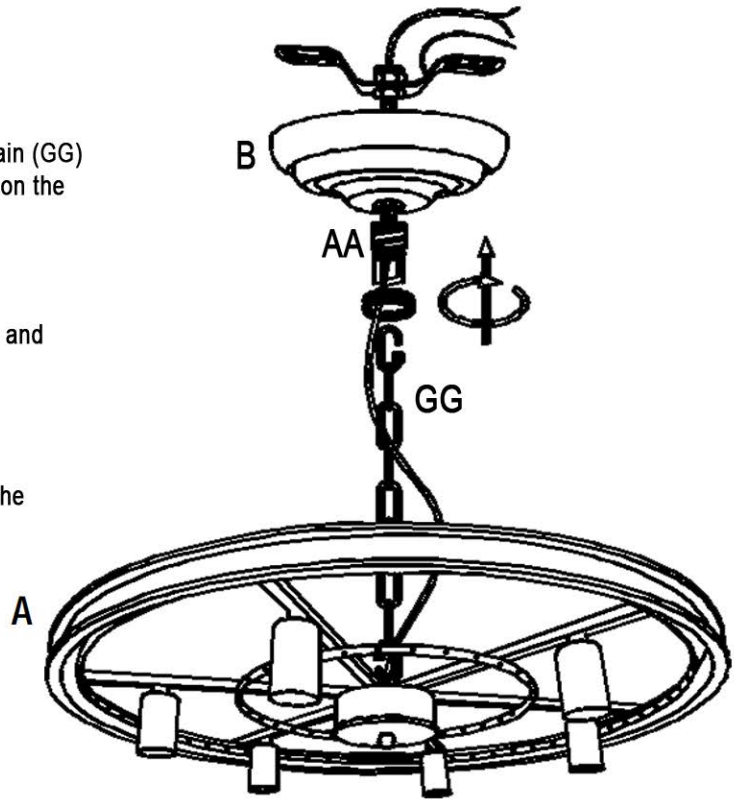


Part	Description	Quantity
A	Lamp body	1
B	Canopy	1
C	Crystal pendant	93
D	Crystal pendant (extra backup)	5

# Installation

## 1 Assembling the light fixture

- Use the locking buckles at both ends of the hanging chain (GG) to connect the hanging plate (AA) and the hanging ring on the lamp bracket (A)
- Insert the wires into the tubes of the hanging board (AA) and connect them properly
- Twist the circular ring of the hanging plate (AA) to keep the ceiling cover (B) and ceiling level

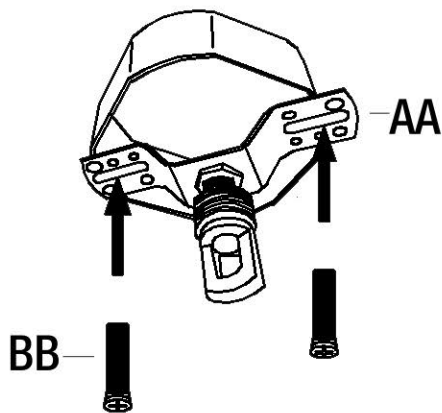


## 2 Attaching the mounting unit to the junction box

- Attach the mounting unit (AA) to the junction box (not included) with mounting screws (BB).



**NOTE:** The support screws on the mounting unit (AA) should protrude out away from the junction box.

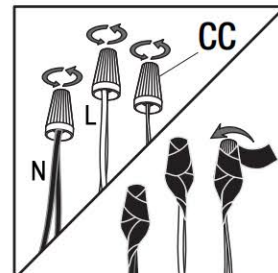


## 3 Making the electrical connections

- Connect the L end to the black (power) end, the N end to the white (neutral) end, and the copper wire to the grounding wire using wire nuts (CC), and fix them with electrical tape (not included).



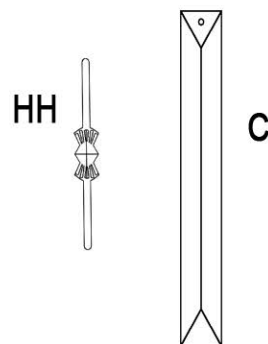
**NOTE:** If the wires from the fixture are the same color, attach the side with markings or letters to the black (positive) wire and the other to the white (neutral) wire.



## Installation (continued)

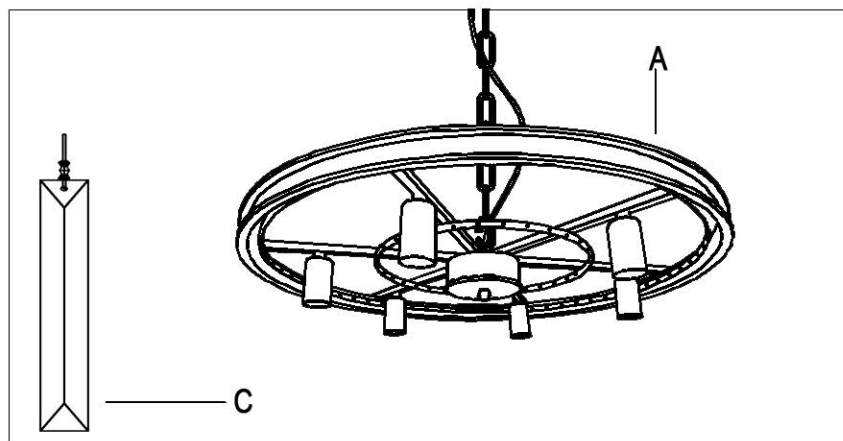
### 4 Crystal buckle installation

- Insert the crystal buckle (HH) into the hole of the crystal bar (C) and bend it



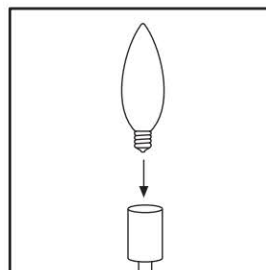
### 5 Crystal installation

- Insert the crystal (C) into the hole of the lamp body (A), starting from the inside



### 6 Installing the light bulbs

- Install 6 E12 40W bulbs (not included)



## Operation

### Turning the light on

- Turn the light switch on to activate the fixture.

## Care and Cleaning

- Clean the lamp with a soft, dry cloth.
- Do not use any cleaners with chemicals, solvents, or harsh abrasives.

## Troubleshooting

Problem	Possible Cause	Solution
The bulb will not light.	The bulb is burned out.	Replace the light bulb.
	The power is off.	Ensure the power supply is On.
	There is a faulty wire connection.	Check the wiring.
	The circuit breaker is off.	Ensure the circuit breaker is in the On position.
The fuse blows or circuit breaker trips when the light is turned on.	There are crossed wires or the power wire is grounding out.	Check the wire connections. Contact a qualified electrician