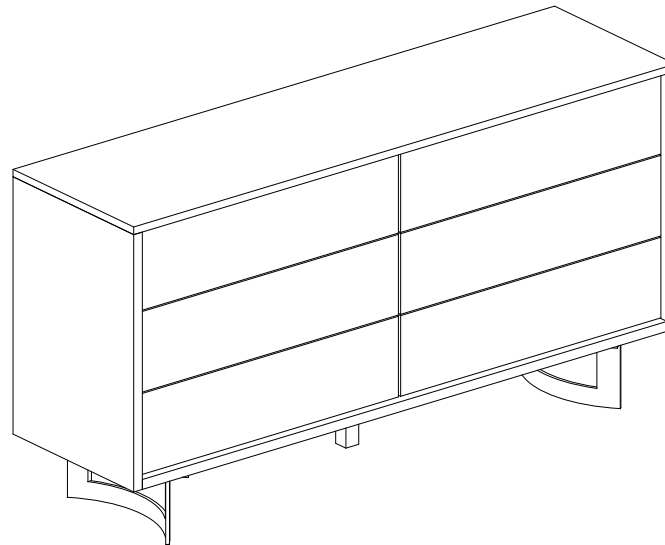


# **ASSEMBLY INSTRUCTIONS.**




DRESSER SMOKED






THANK YOU FOR YOUR PURCHASE!

## PARTS AND HARDWARE.

### PARTS LIST

NO.	DESCRIPTION	IMAGE	QTY
P1	STRUCTURE		1
P2	METAL LEG		2
P3	CENTRAL LEG		1

### HARDWARES LIST

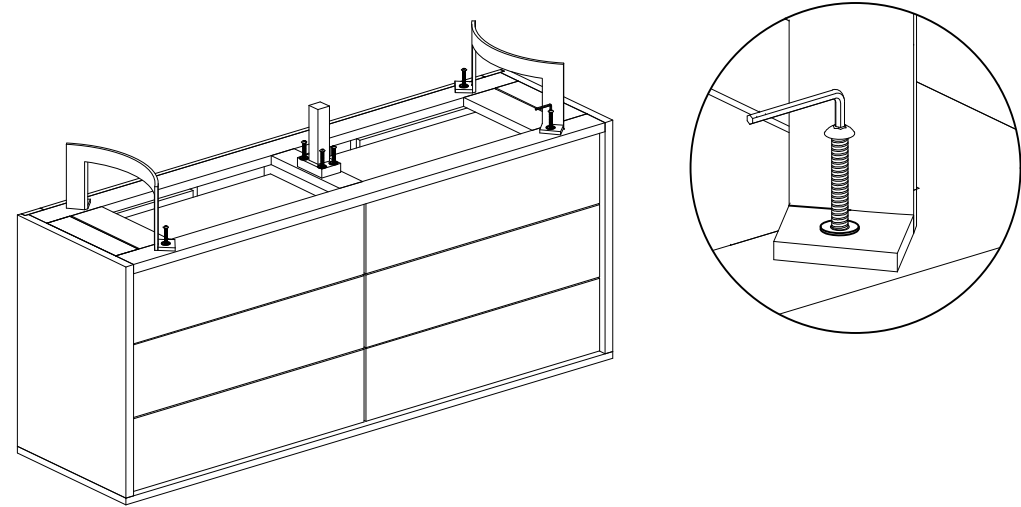
NO.	DESCRIPTION	IMAGE	QTY
H1	ALLEN BOLT		8
H2	ALLEN KEY		1
H3	WASHER		8

### NOTES.

Thank you for purchasing this quality product! Be sure to check all packing material carefully for small part that may have come loose inside the carton during shipping.

**CAUTION:** The item is heavy, assembly should be performed by two people.

### STEP 1.



### STEP 2.

