
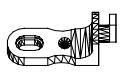

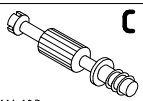
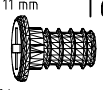
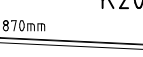


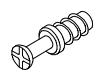

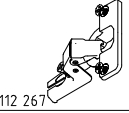
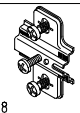
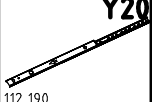
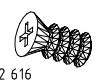
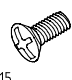

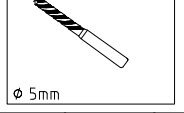
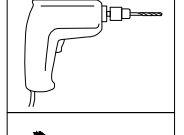
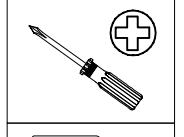
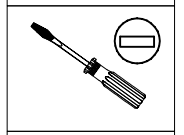
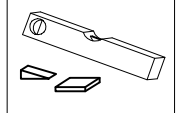
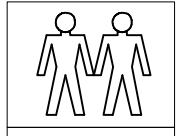
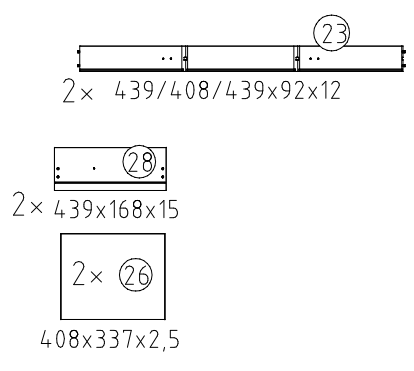
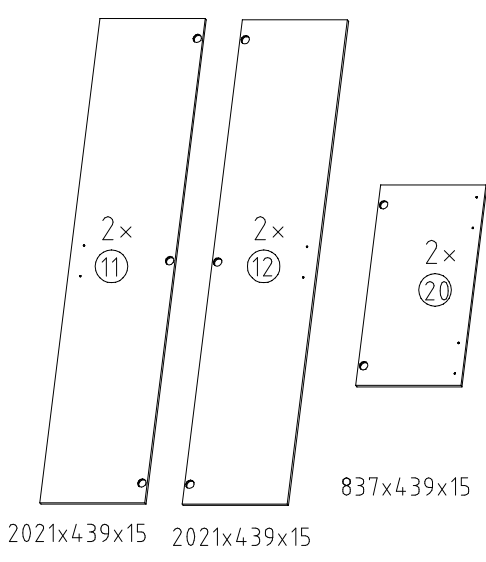
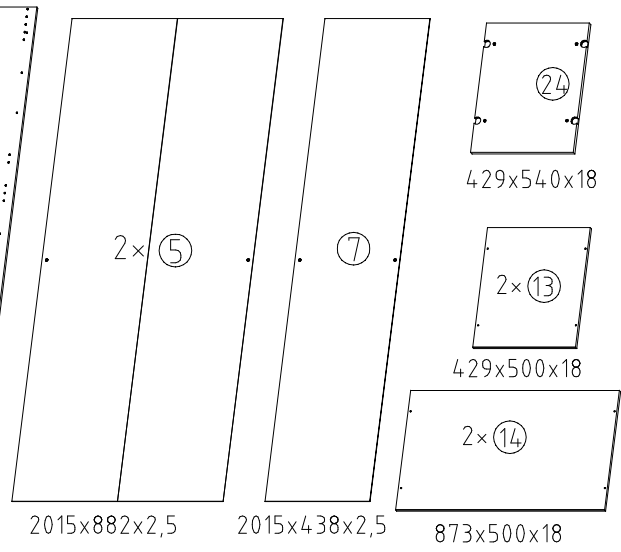
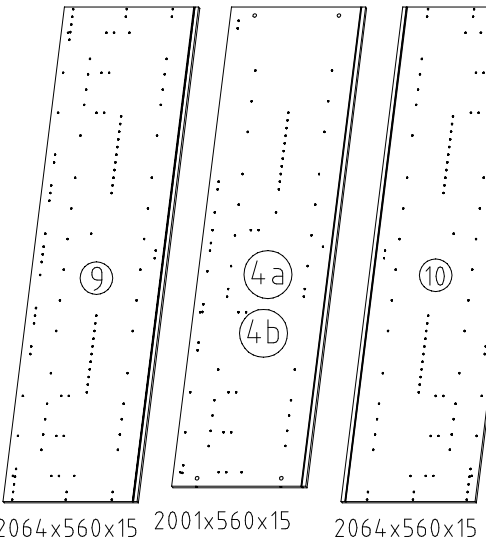
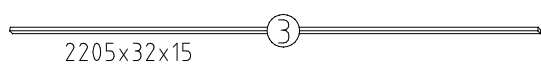
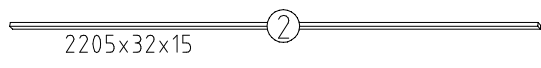
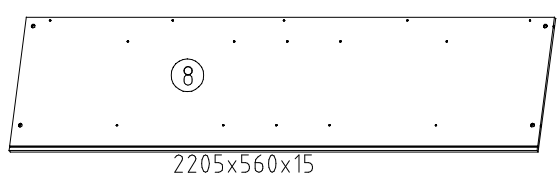
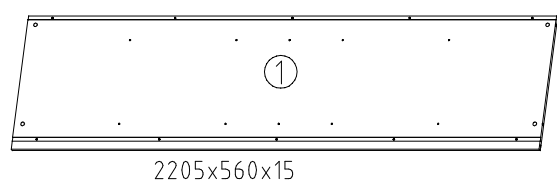
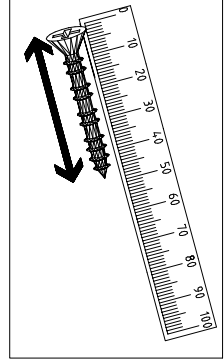
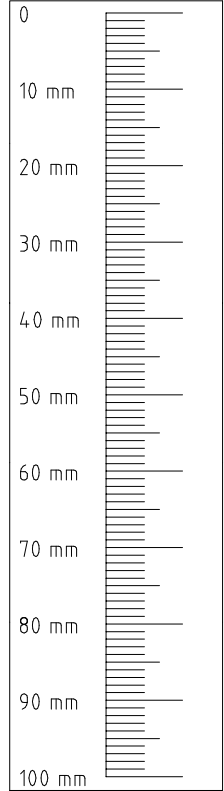
 111 102	<b>A</b>	16x
 111 610	<b>L7</b>	16x
 111 174	<b>J1</b>	6x
 117 001	<b>K1</b>	4x

 111 103	<b>C</b>	16x
 M6 x 11 mm 121 181	<b>T6</b>	6x
 870mm	<b>K20</b>	2x
 3,5 x 15 mm 121 370	<b>G1</b>	10x

 3,5 x 35 mm 121 375	<b>G14</b>	15x
 111 229	<b>F</b>	4x
 111 252	<b>VB23</b>	4x
 112 267	<b>N</b>	16x

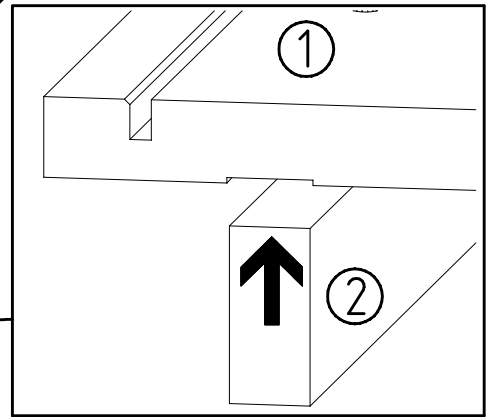
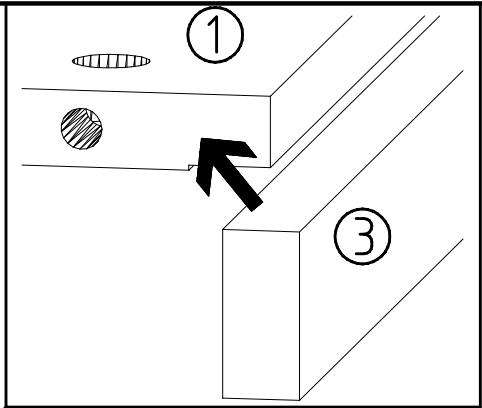
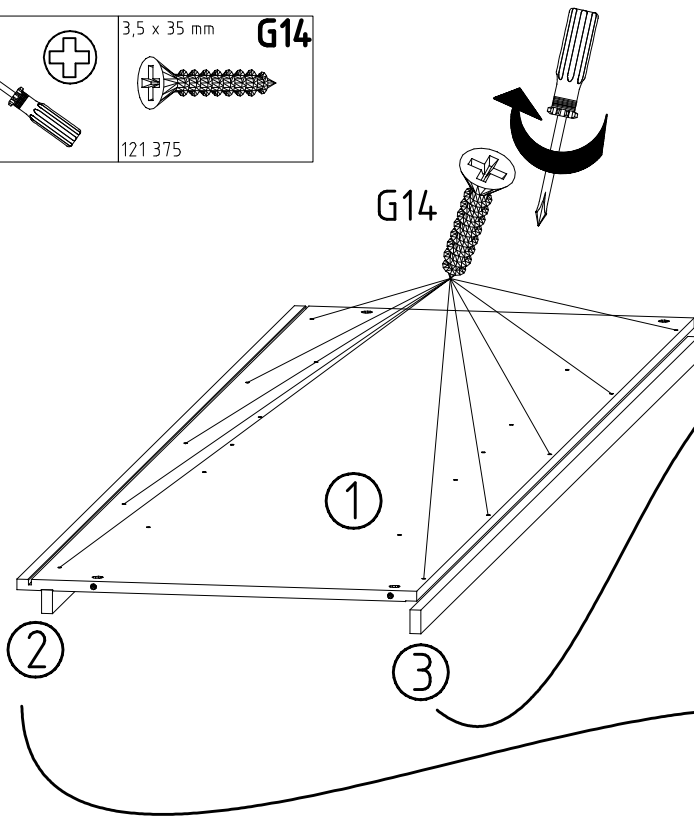
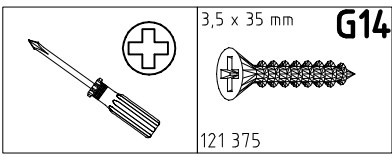
 112 268	<b>M</b>	16x
 112 190	<b>Y20</b>	4x
 M6 x 10 112 616	<b>T3</b>	8x
 M4 x 9 mm 111 015	<b>G8</b>	4x

 163 007	<b>Z</b>	2x
---	----------	----



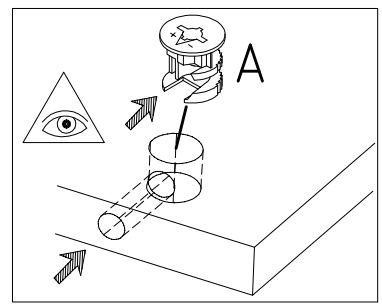
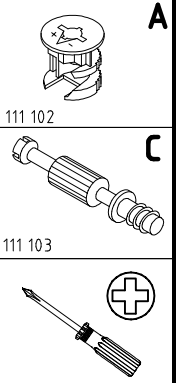
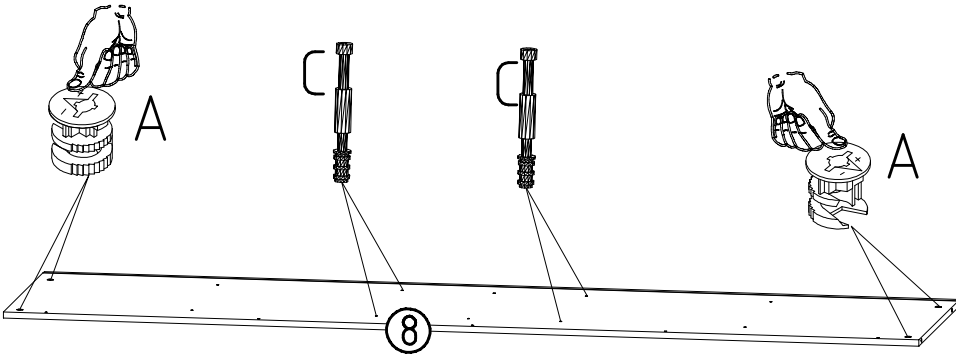
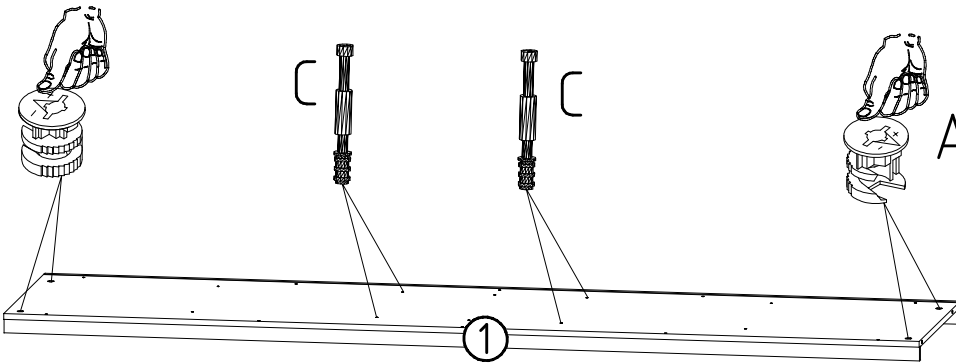
∅ 5mm

1

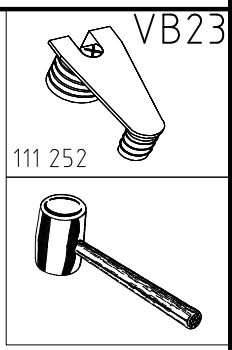
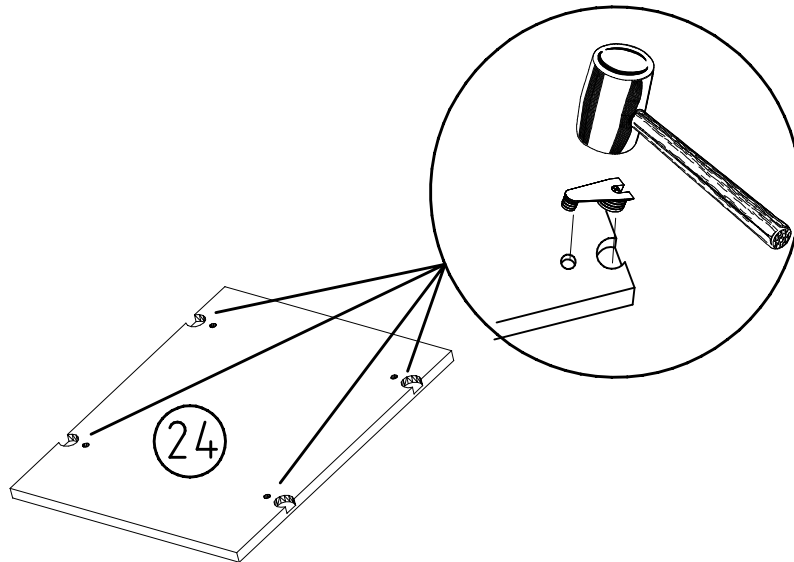


2

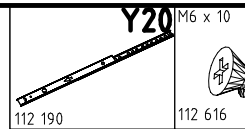
A



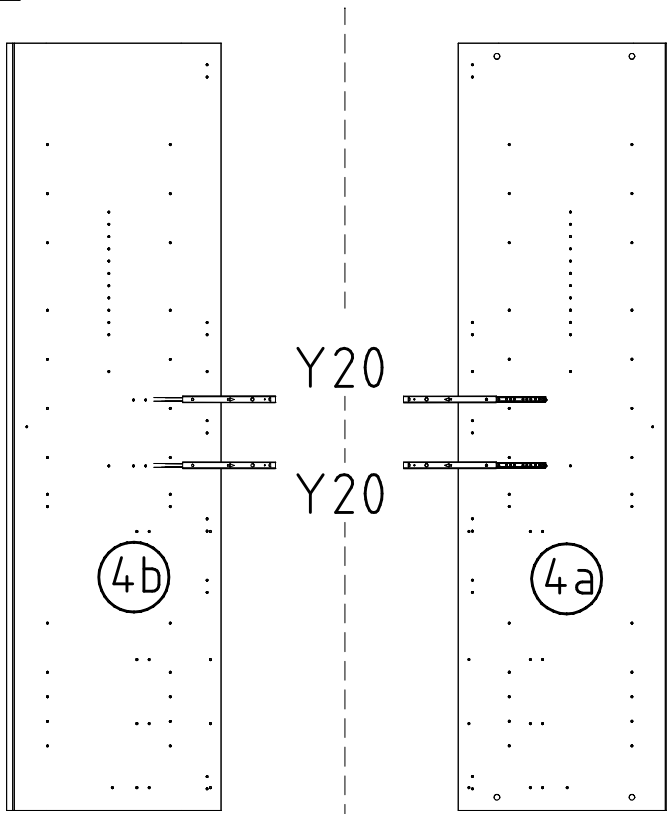
3



4

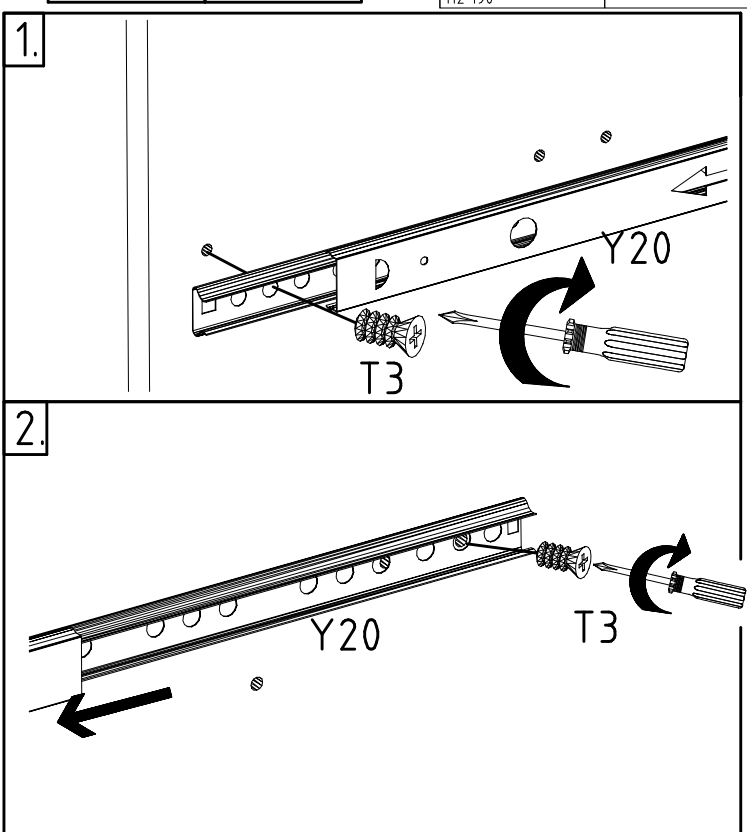


T3

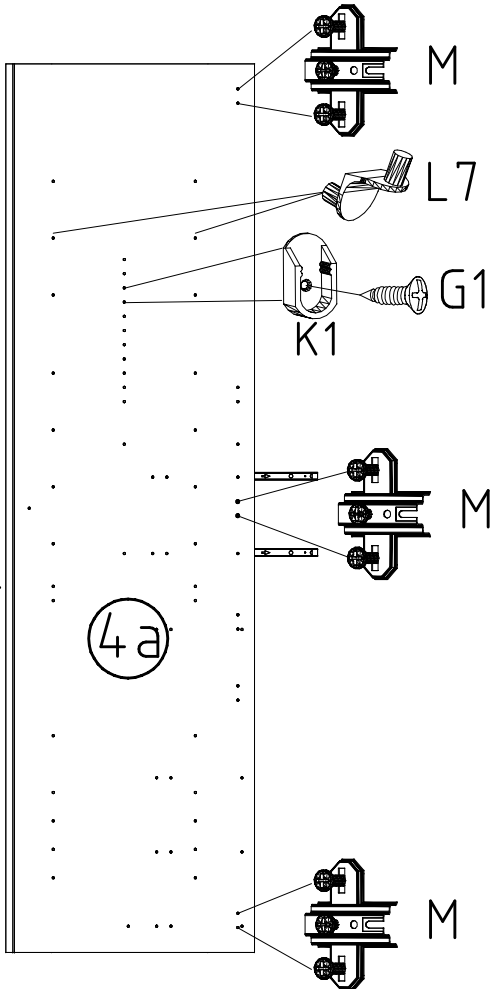
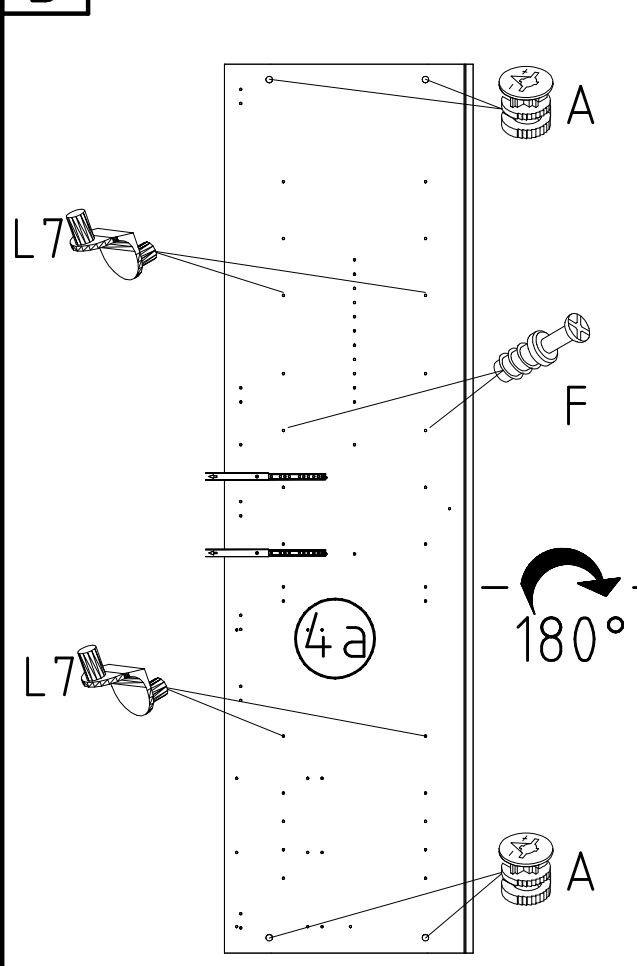


1.

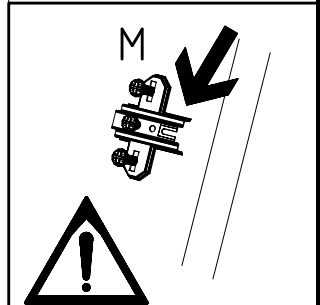
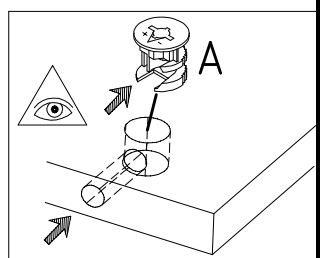
2.



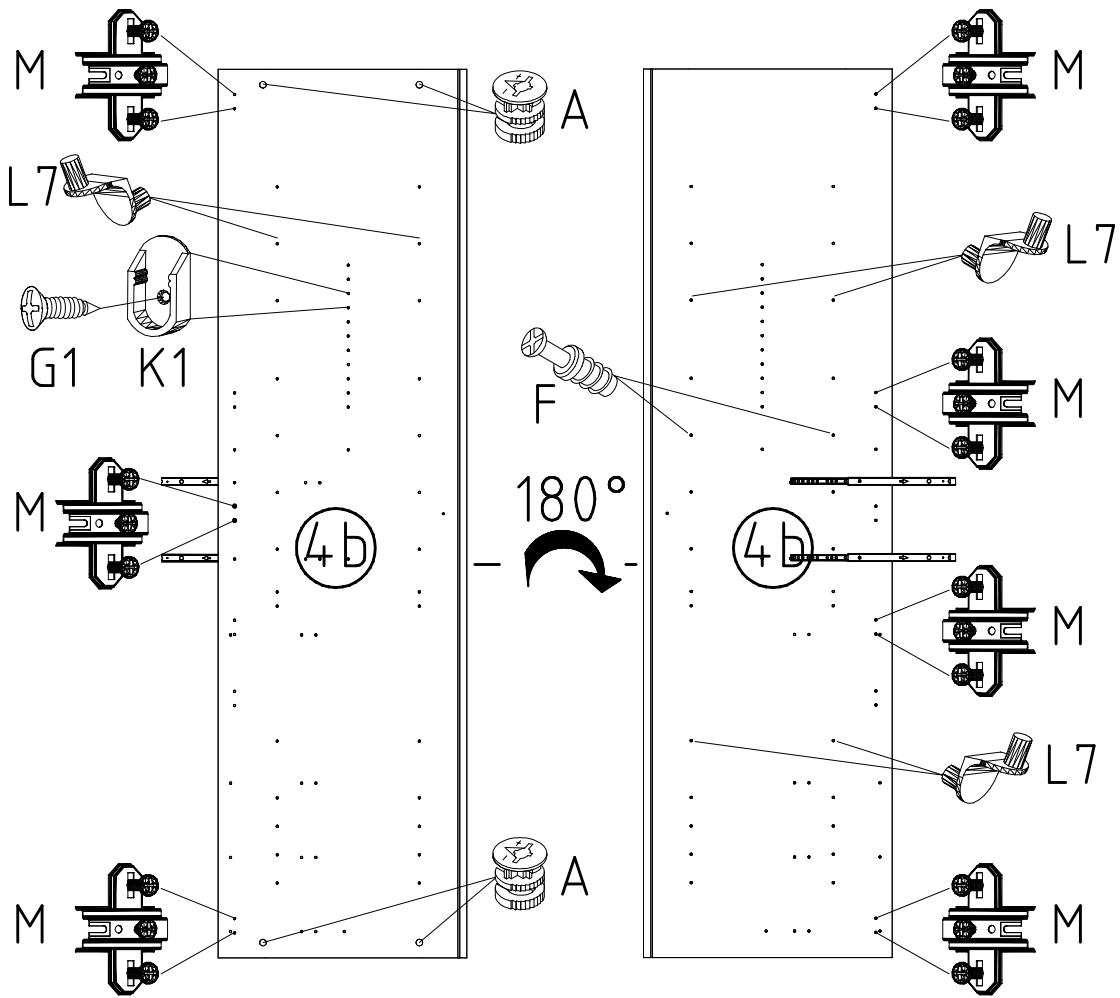
5

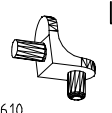
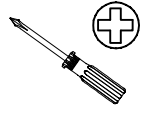

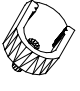


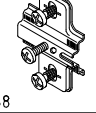
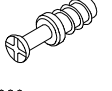


		L7
		M K1
		F 3,5 x 15 mm G1
		A

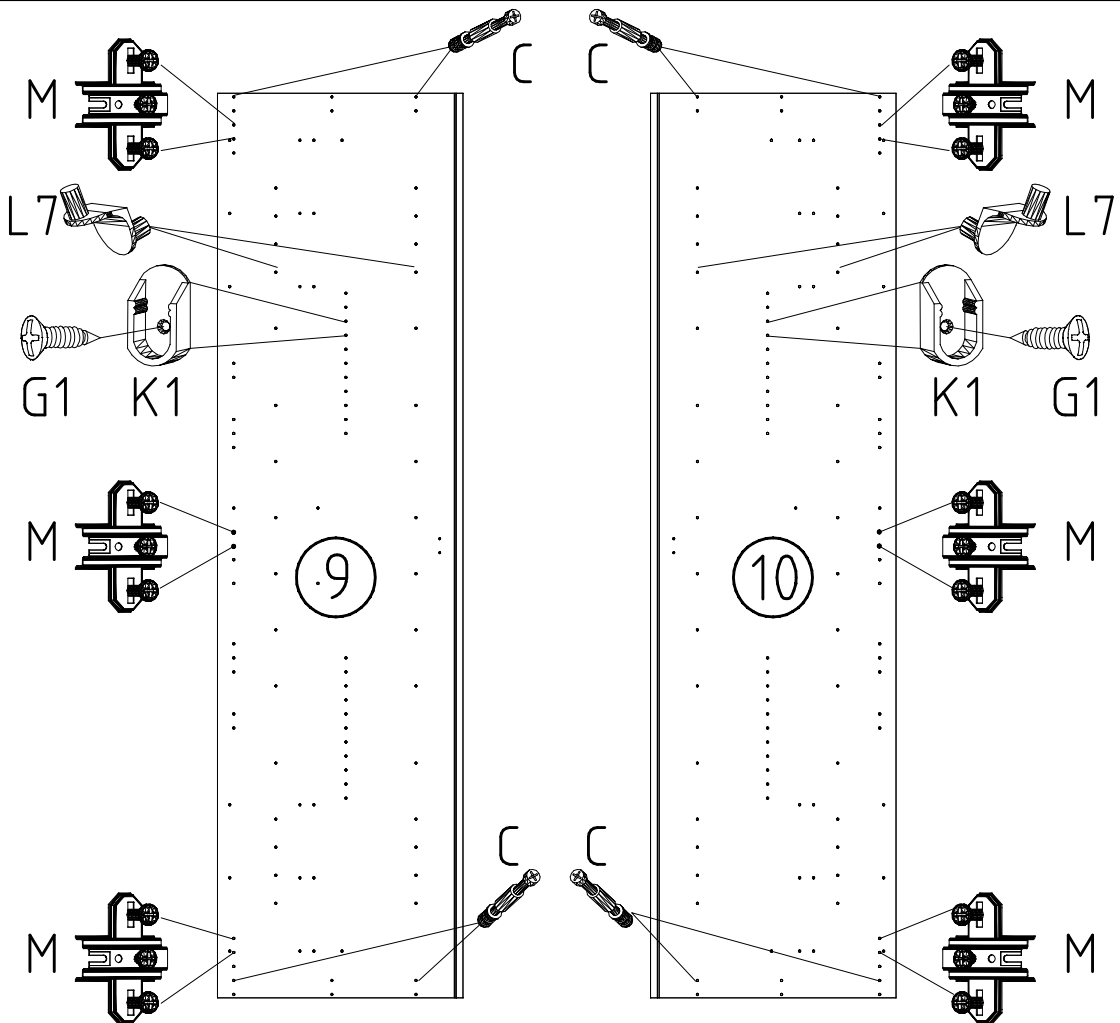


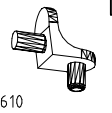
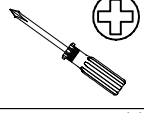



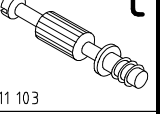
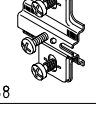
6



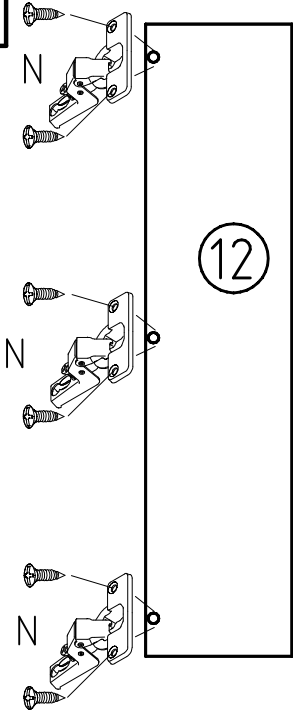
-  L7  
111 610
-  
-  K1  
117 001  
3,5 x 15 mm
-  G1  
121 370
-  A  
111 102
-  M  
112 268
-  F  
111 229

7

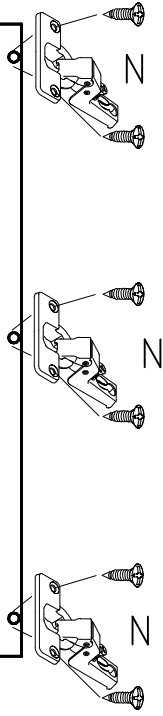


-  L7  
111 610
-  
-  K1  
117 001  
3,5 x 15 mm
-  G1  
121 370
-  C  
111 103
-  M  
112 268

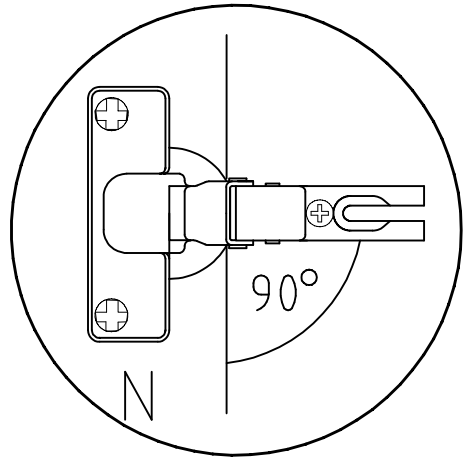
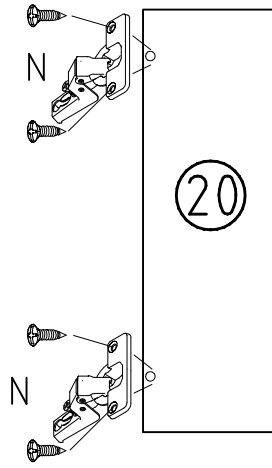
8



11

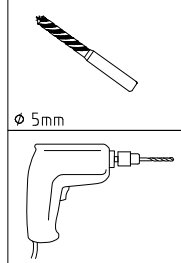
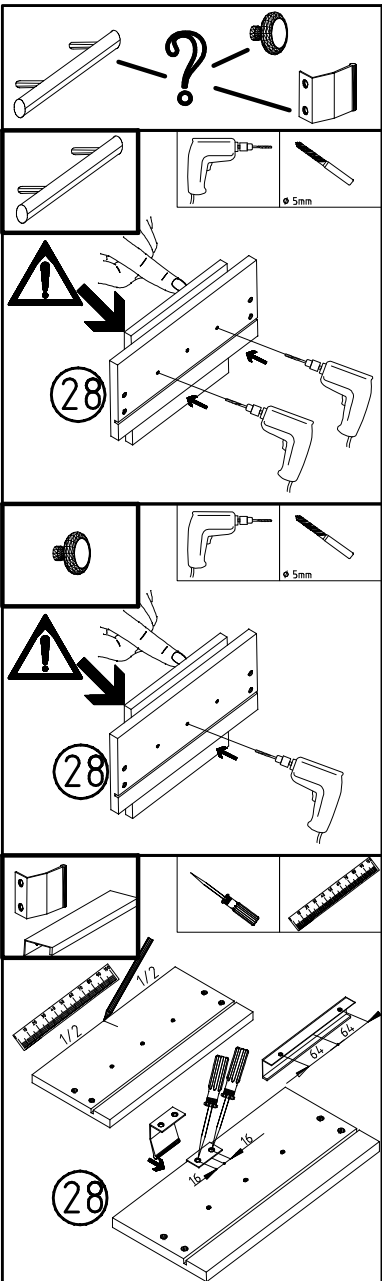


20



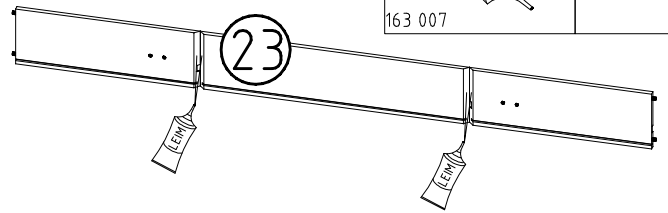
112 267

9

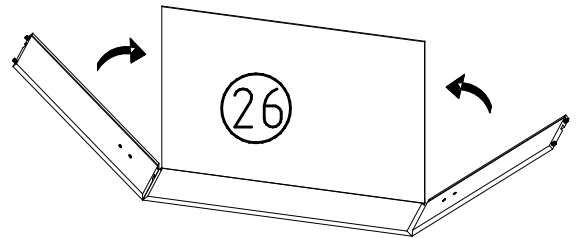


10

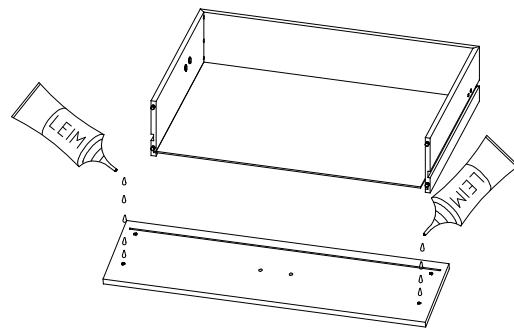
A



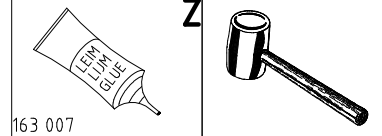
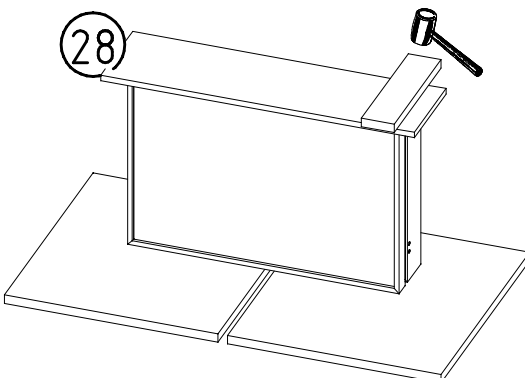
B

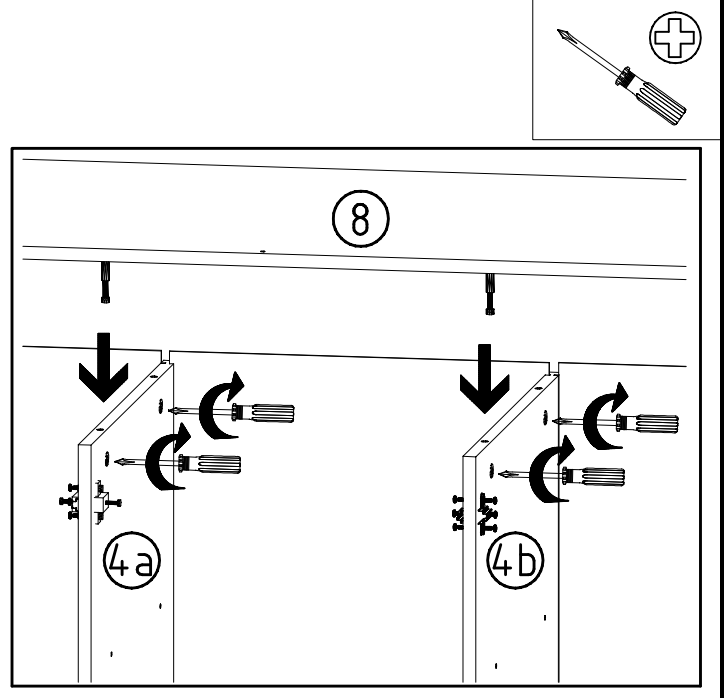
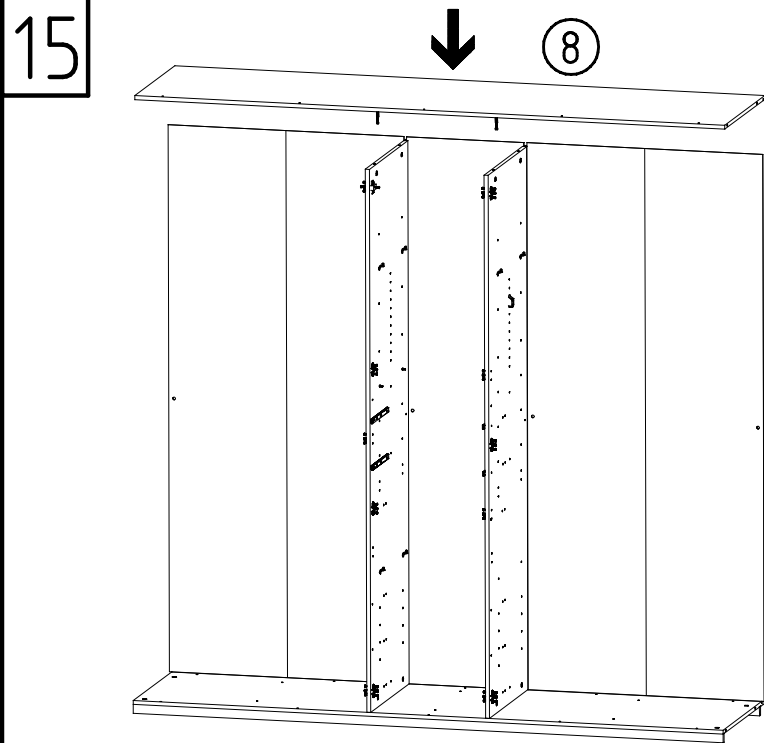
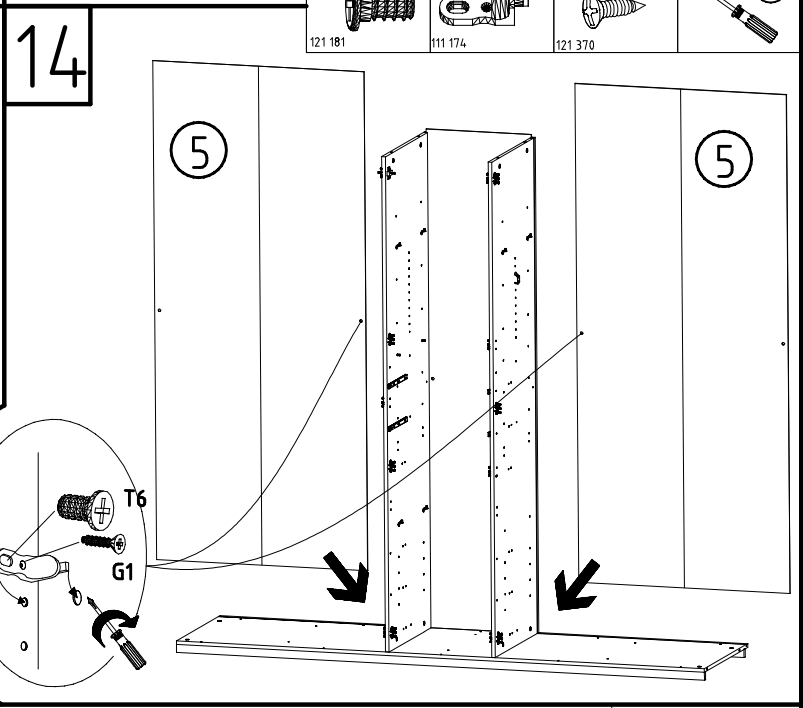
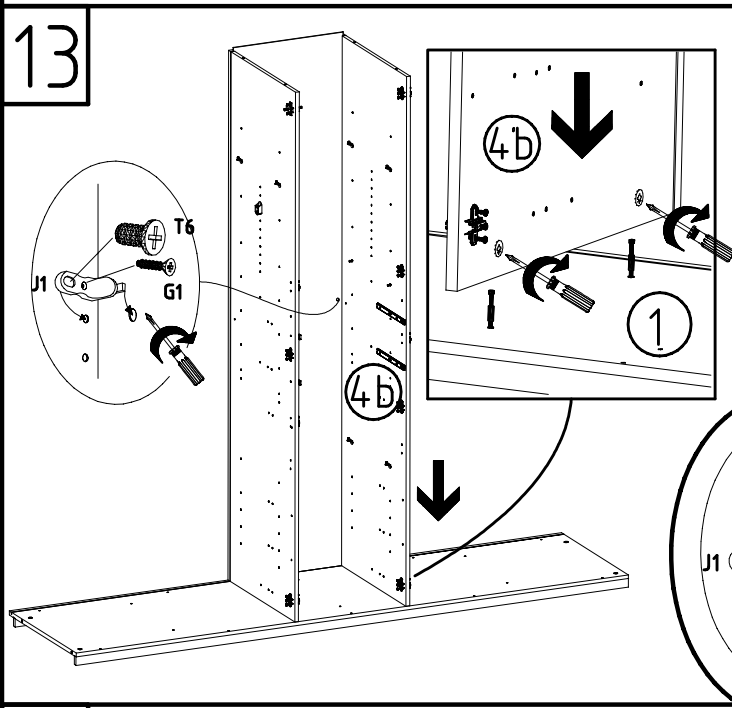
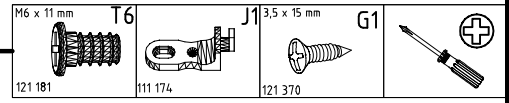
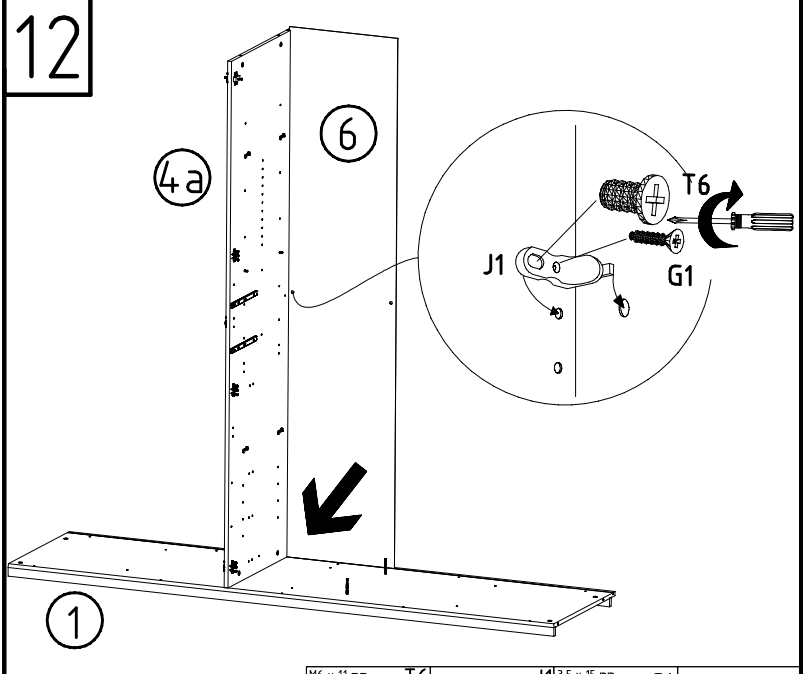
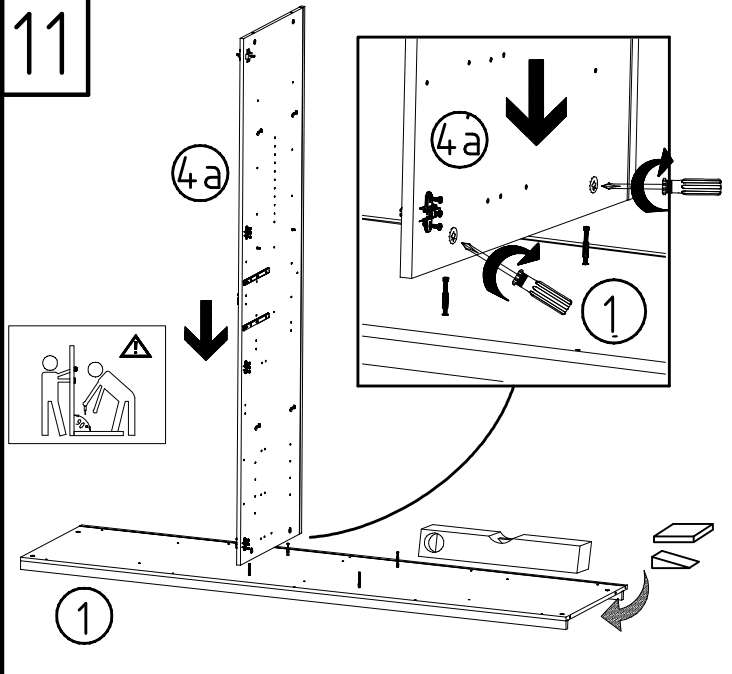


C

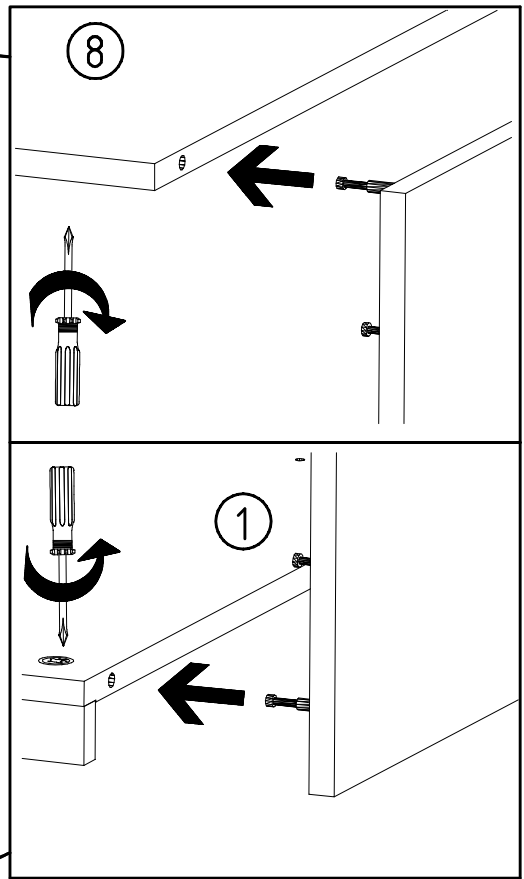
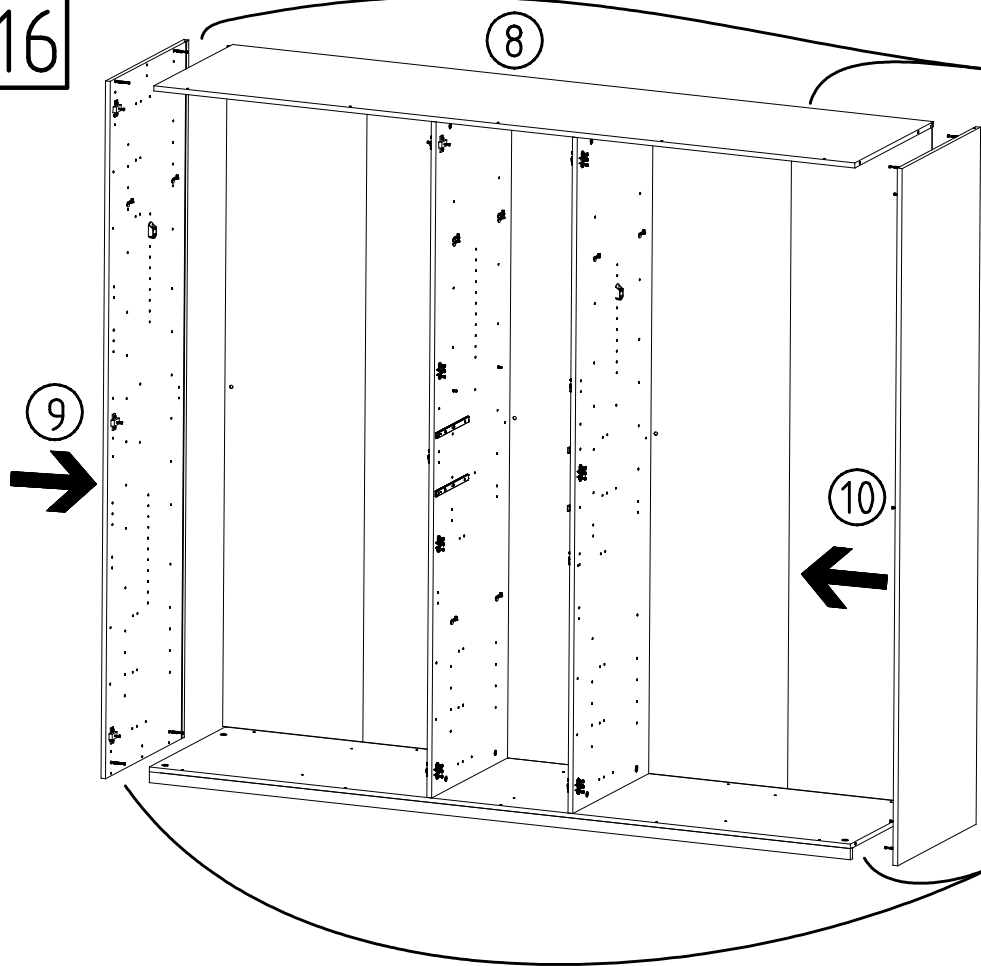


D

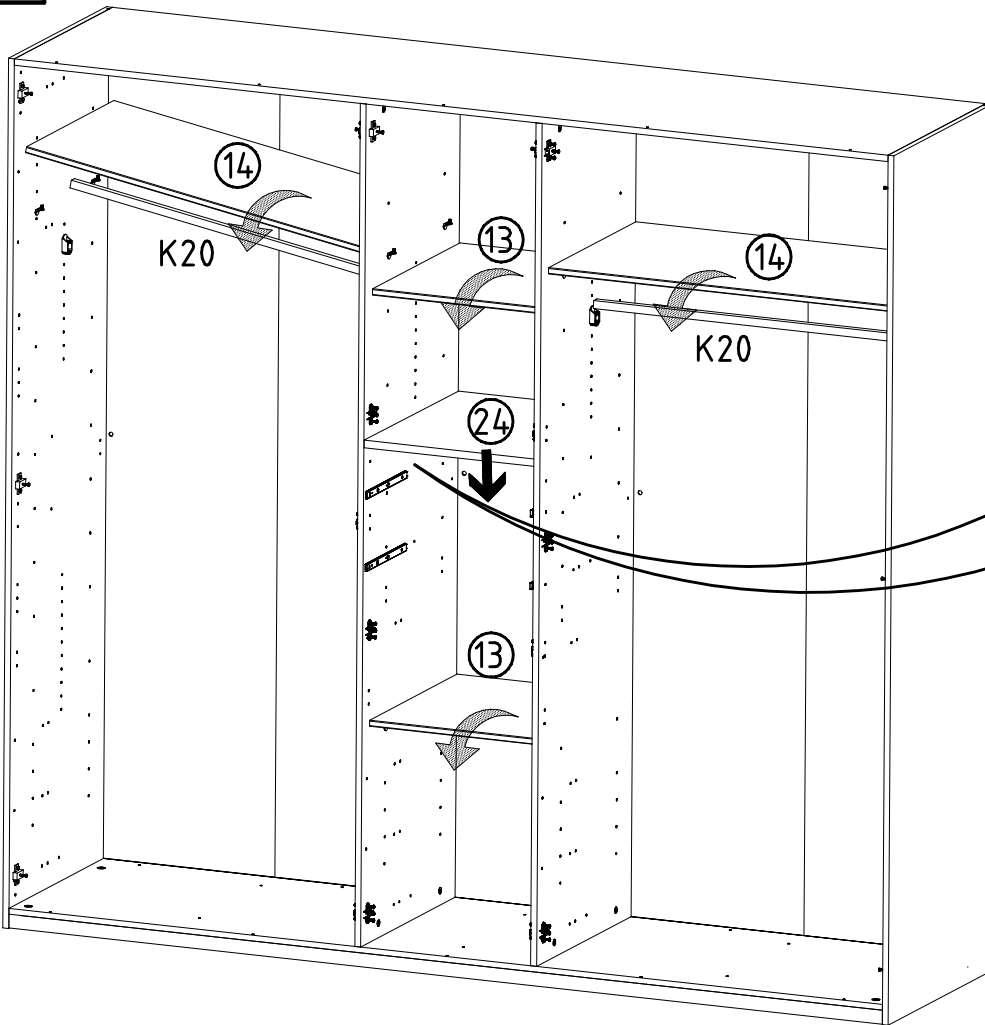




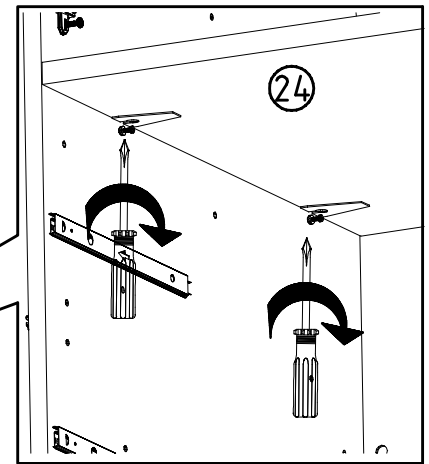
16



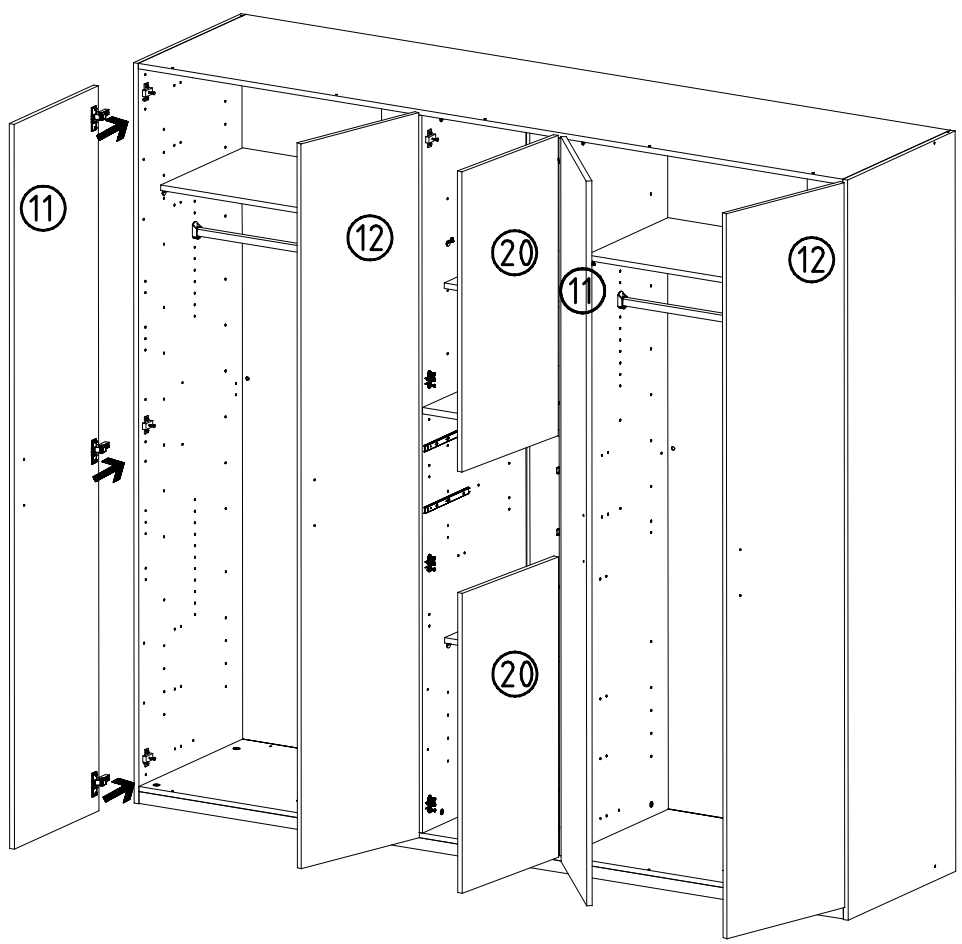
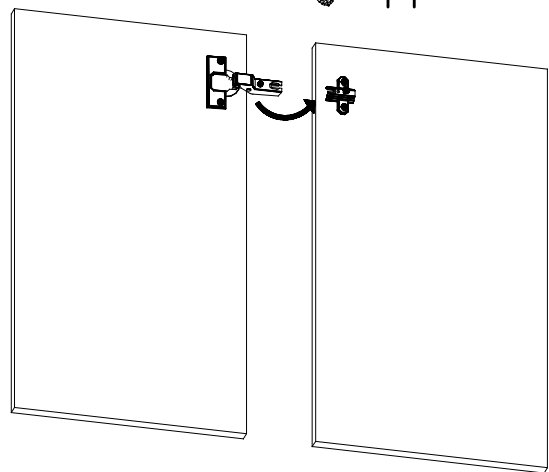
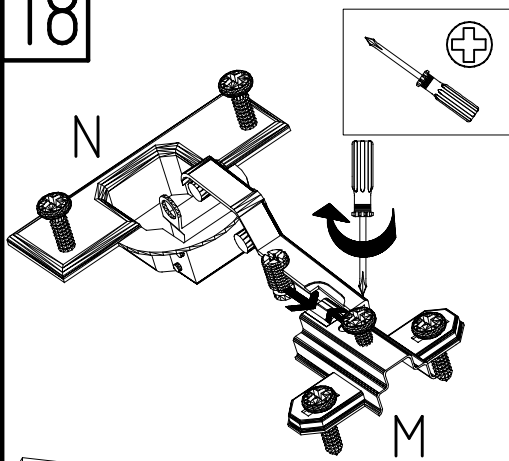
17



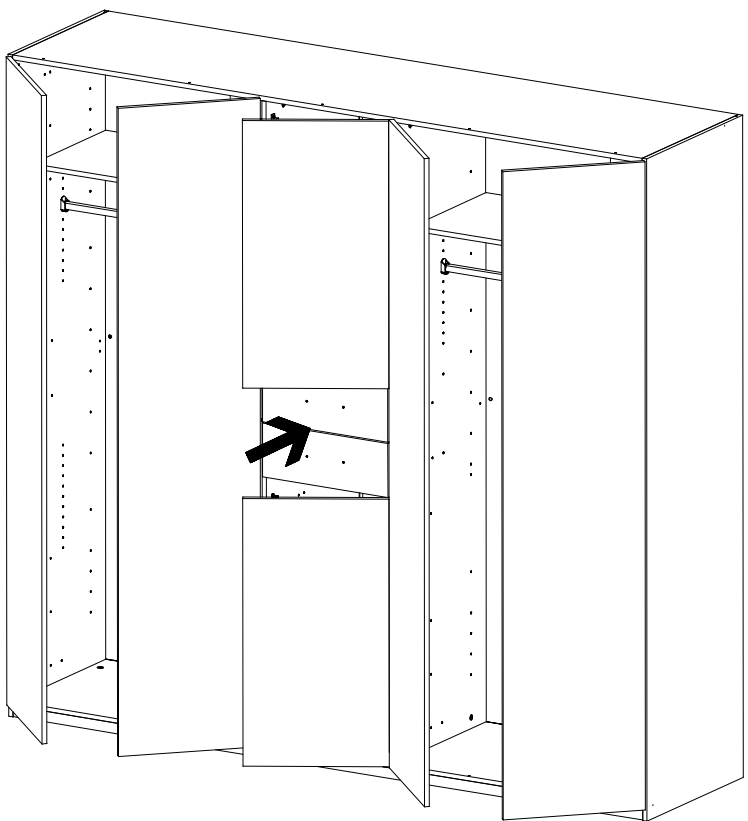
K20  
870mm  
112 402



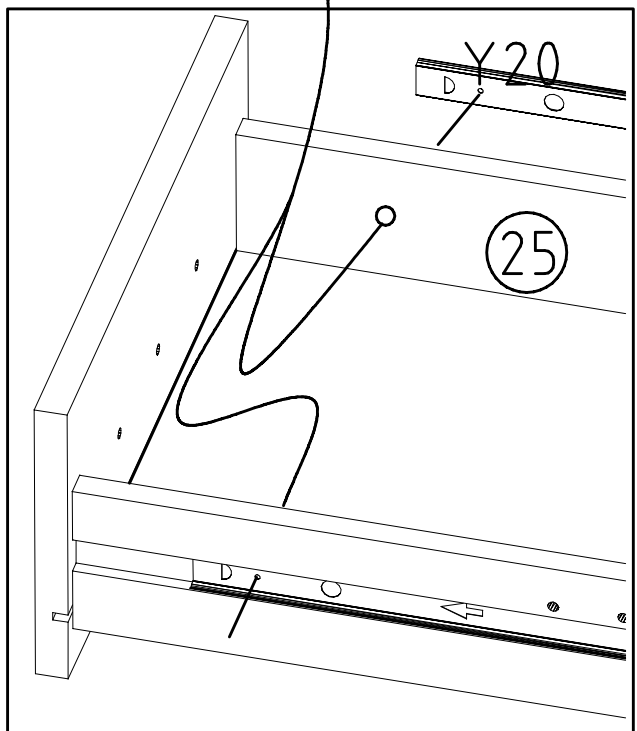
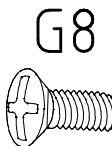
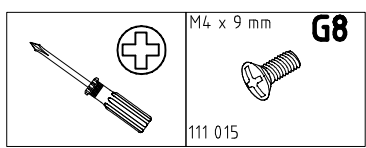
18

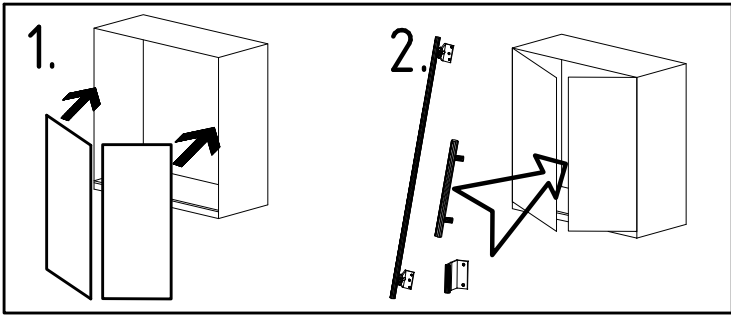
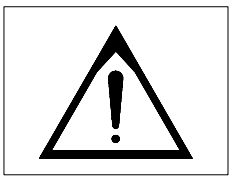


19

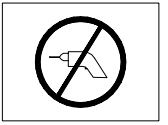
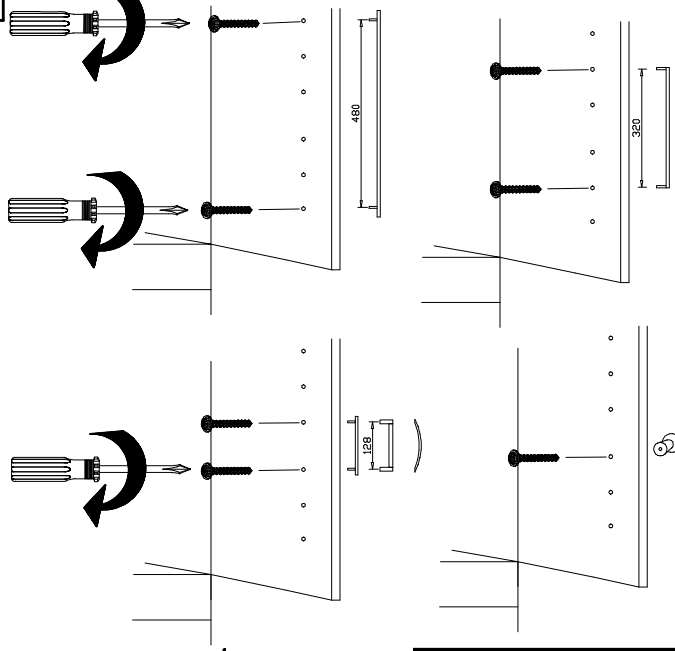
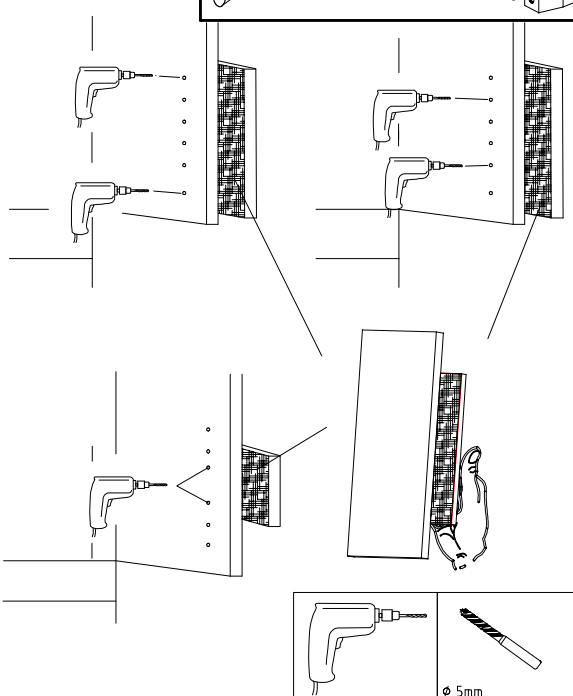
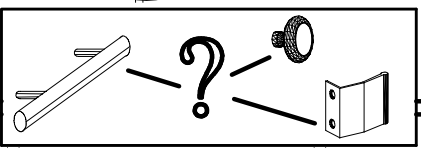
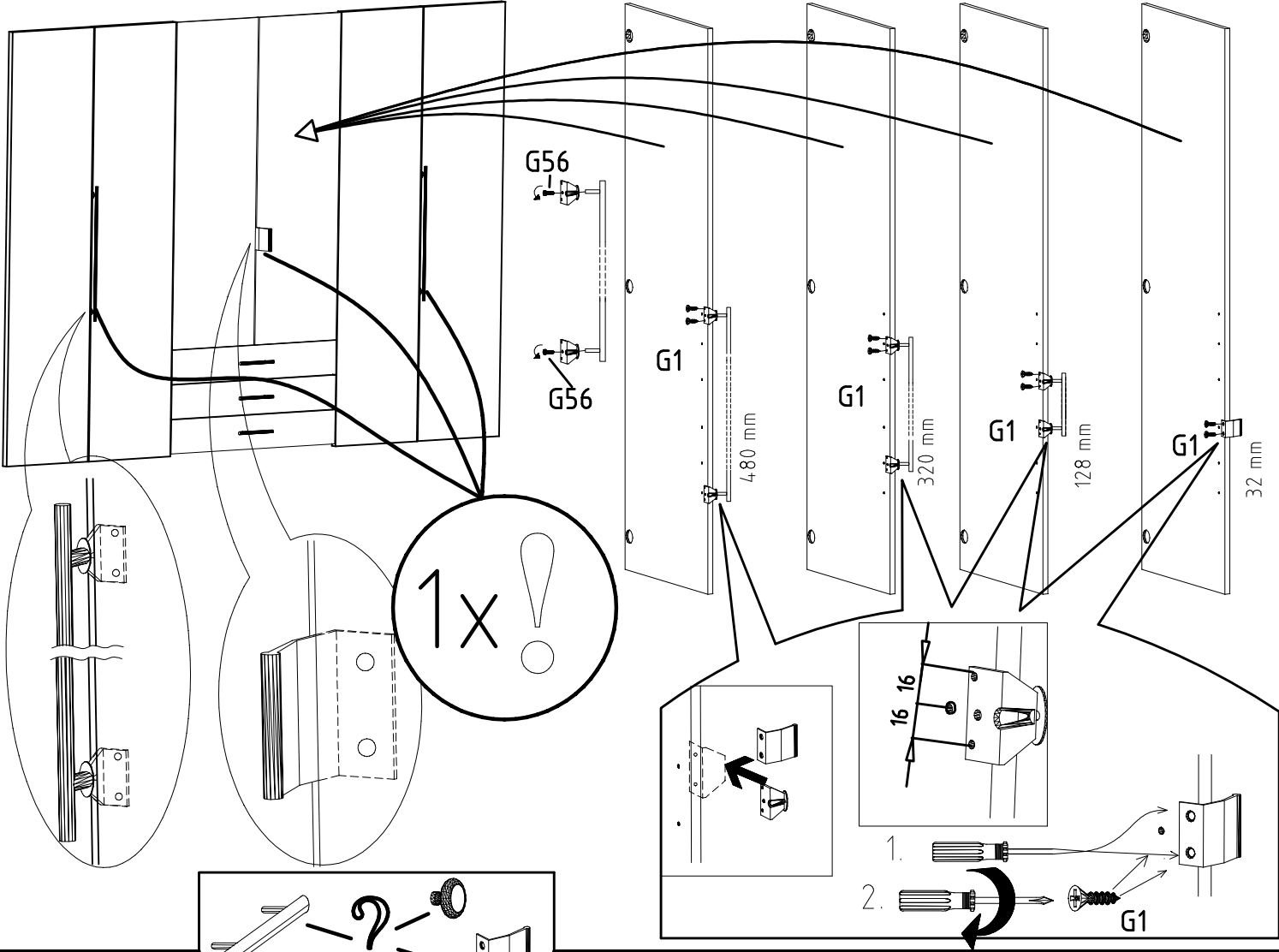


20





3,5 x 15 mm 121 370 	G1	4,0 x 12 mm 122 625 	G56
----------------------------	----	----------------------------	-----



	SP27
4 X 27mm 122620 4,0x22 122 609 	G49

