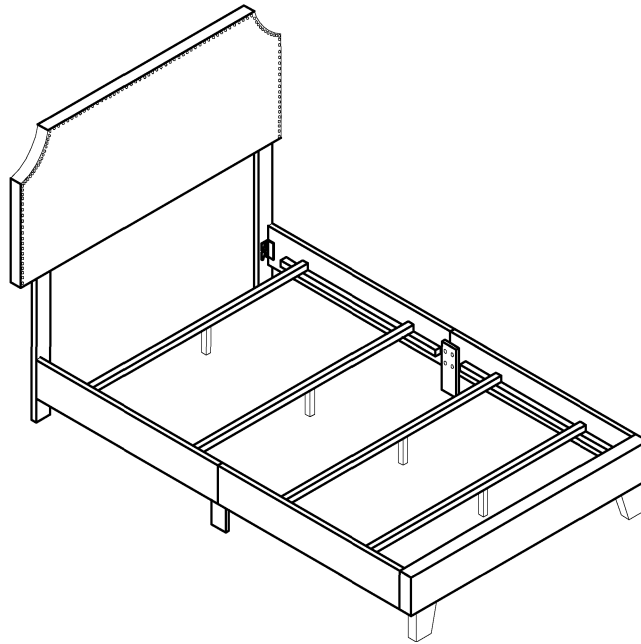
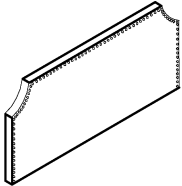


ASSEMBLY INSTRUCTION

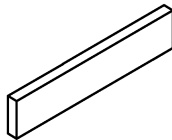


PARTS LIST

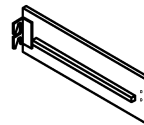
①-Head Board(1pc)



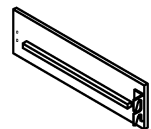
②-Foot Board (1pc)



③-Side Rails (2pcs)



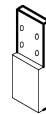
④-Side Rails (2pcs)



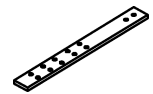
⑤-Center Support(4pcs) ⑥-Support Legs(4pcs)
Bar



⑦-Siderails
Support legs(2pcs)



⑧-HB Foot (2pcs)



⑨ -Footboard Legs (2pcs)



HARDWARE LIST

A Bolt M8*30mm 16pcs



B Bolt M8*75mm 2pcs



C Bolt M8*40mm
4pcs



D Spring Washer 8pcs E Flat Washer $\phi 20$ 28pcs



F M8 Allen Key 1pc



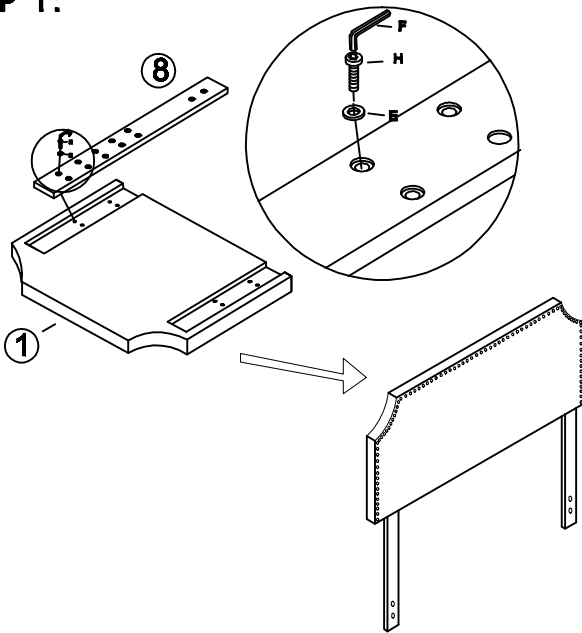
G Self tapping screw 8pcs



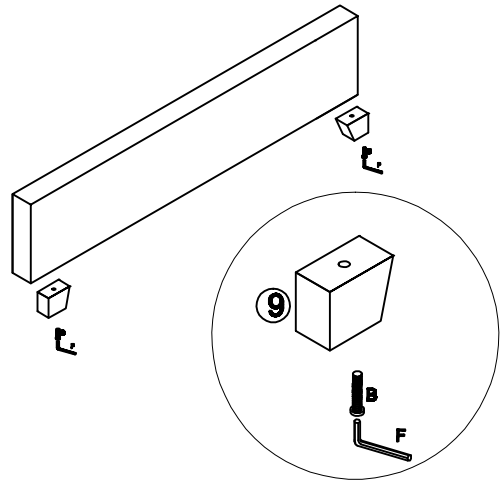
H Bolt M8*60mm 8pcs



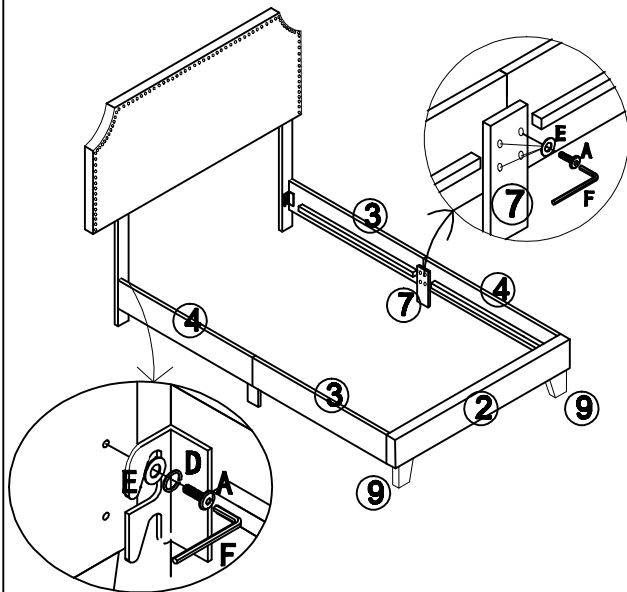
STEP 1:



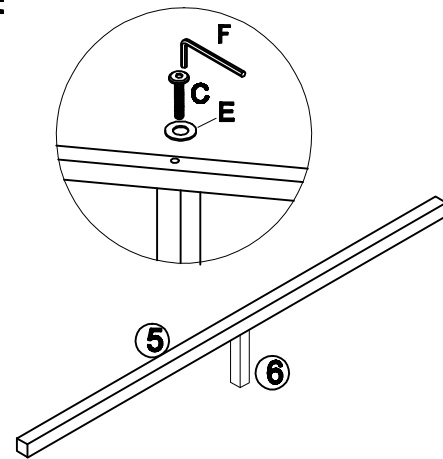
STEP 2:



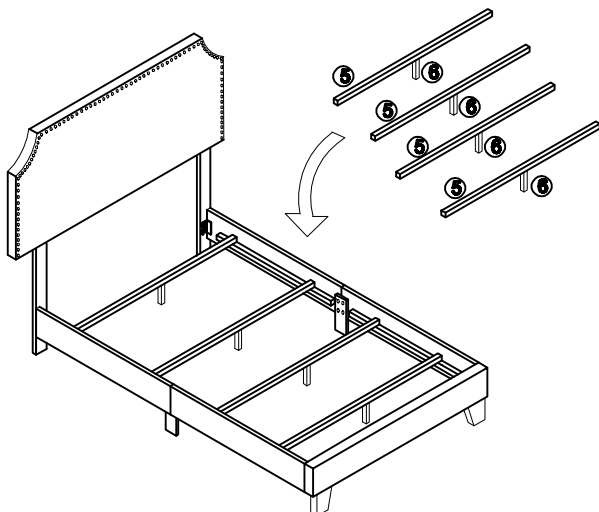
STEP 3:



STEP 4:



STEP 5:



STEP 6:

