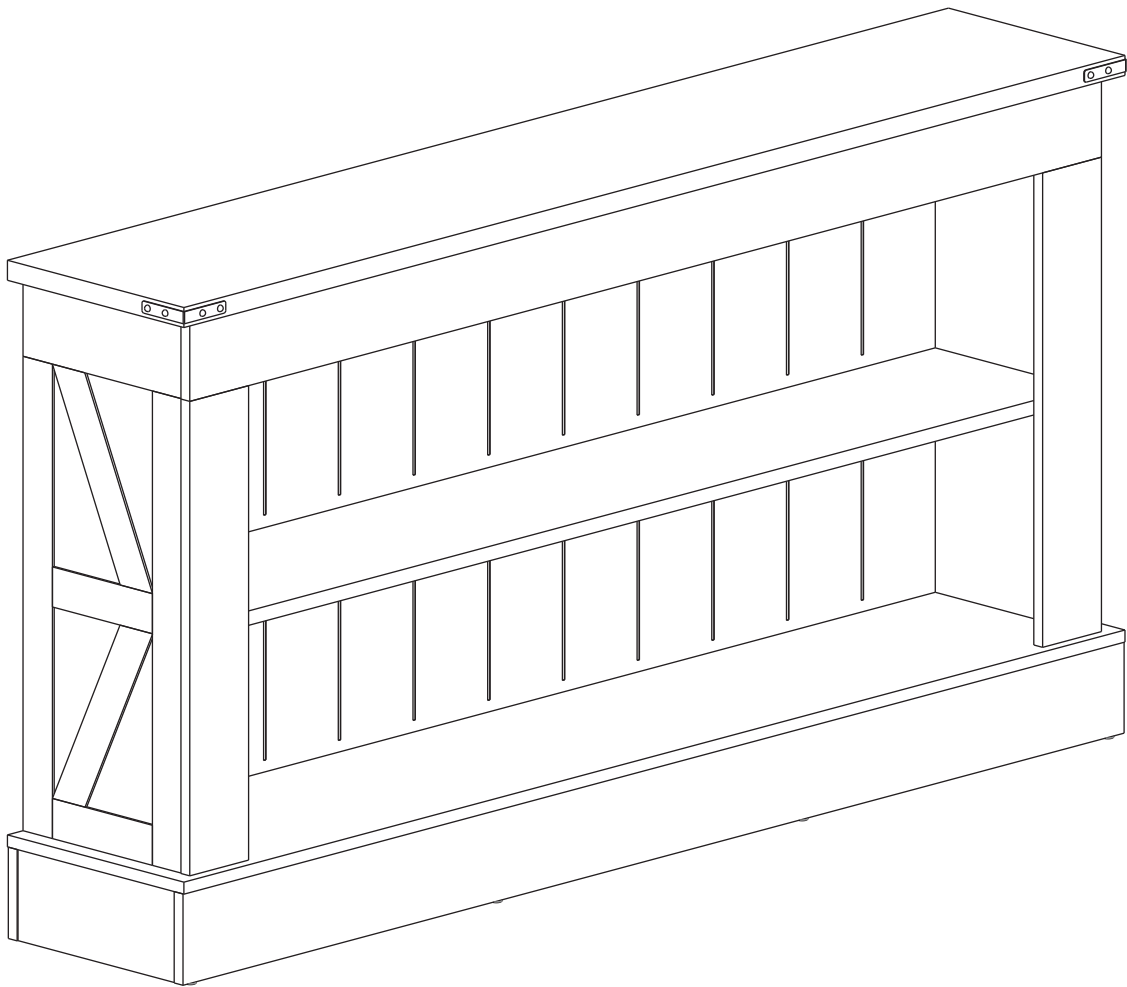


Assembly Instructions



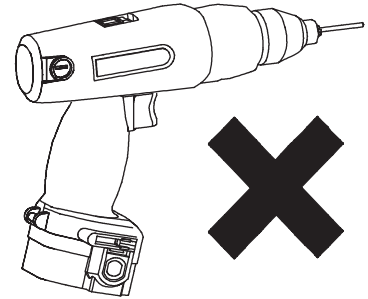
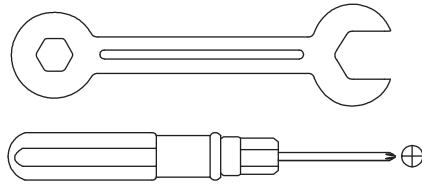
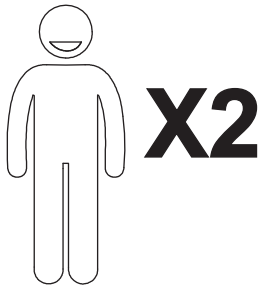
Contact Us

We're here to help you.

Your satisfaction is our top priority. If you encounter any issues with this product, such as missing or damaged parts, we're here to help. Please retain the original packaging and take photos of the packaging and the product, then contact us as soon as possible.

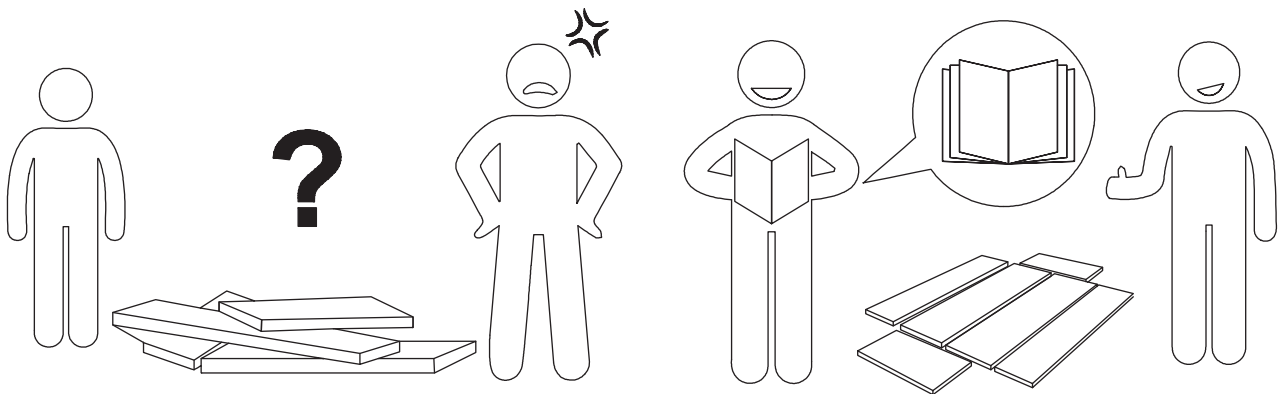
Warm Tips

1. Carefully read these instructions and keep them for future reference.
2. Check the parts list and confirm everything's there before starting assembly.
3. When assembling, put all parts on a soft, smooth surface like a carpet to avoid scratches.
4. Don't fully tighten screws until all parts are confirmed in place to avoid misalignment.



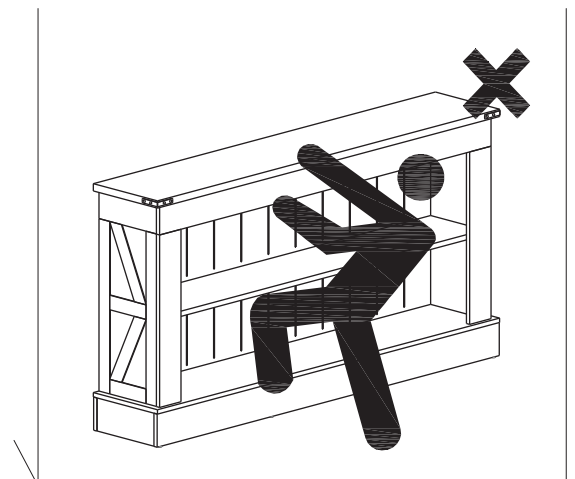
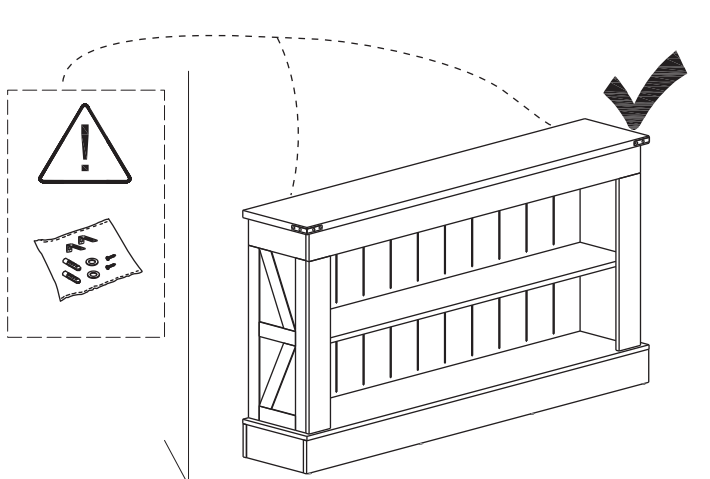
We recommend using hand tools for assembly.

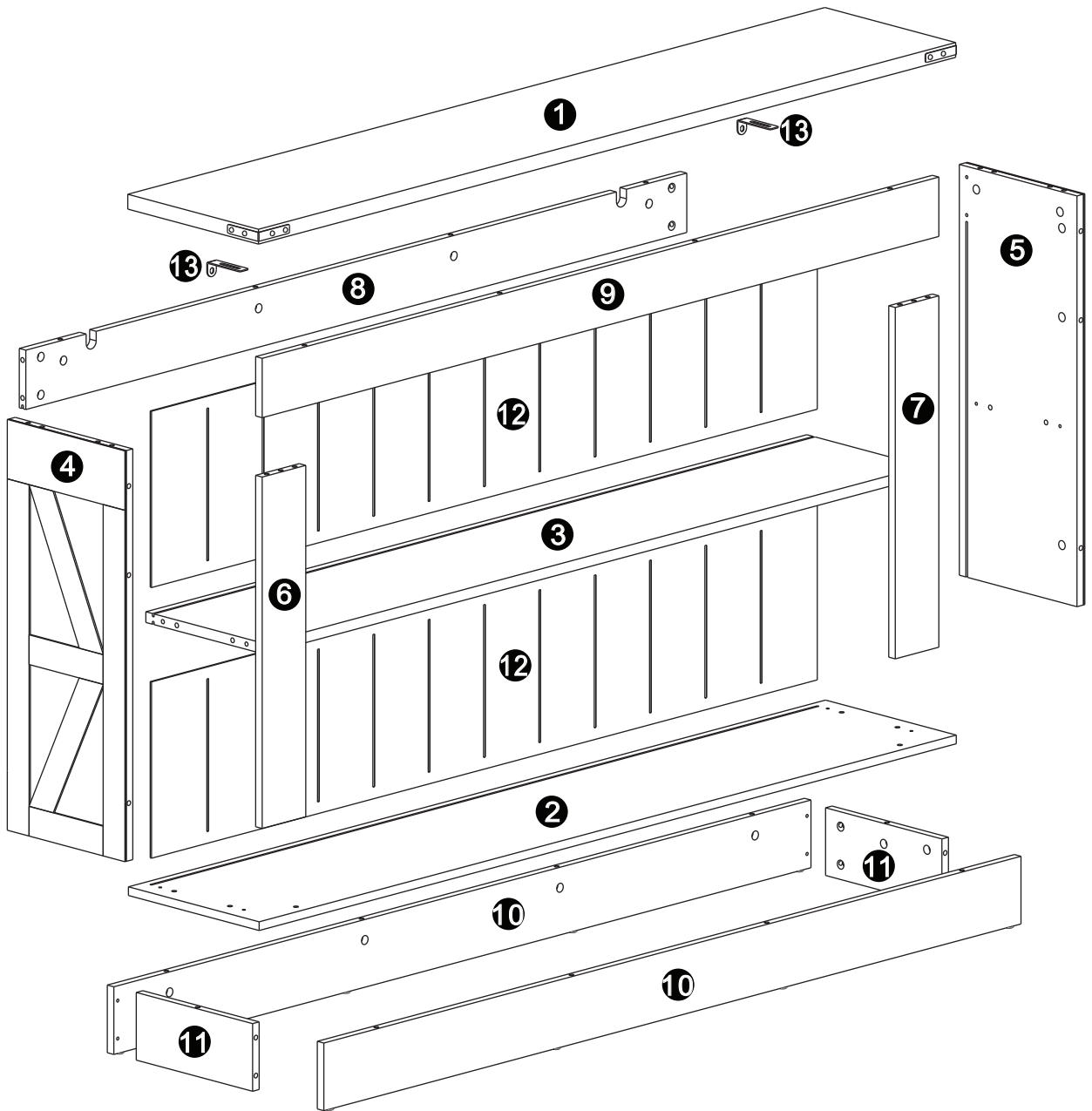
If an electric screwdriver is used, reduce power and torque to avoid damage to the product.



Install tip-over restraint provided

Use of tip-over restraints may only reduce but not eliminate, the risk of tip-over

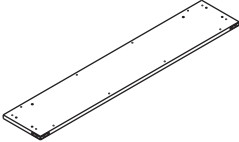
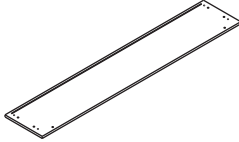

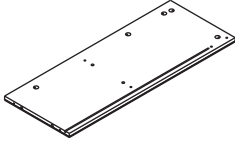
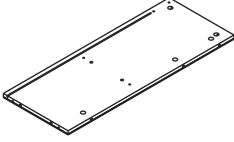
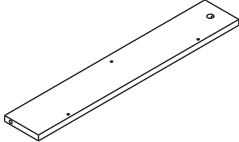
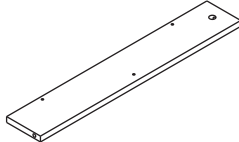
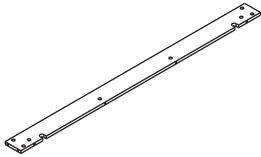
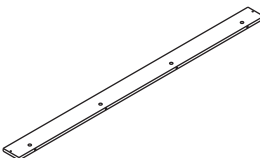
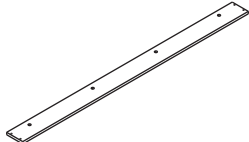
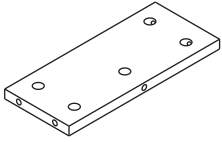
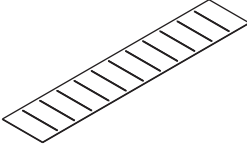
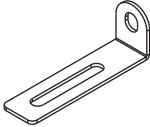





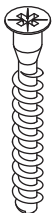

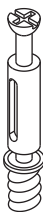

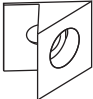
⚠ Caution

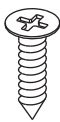
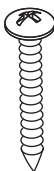




Make sure all parts are included. Most board parts are labeled or stamped on the raw edge. Contact us for a free replacement if you encounter any damaged or missing parts.

Parts List

1  1 pc	2  1 pc	3  1 pc	4  1 pc	5  1 pc
6  1 pc	7  1 pc	8  1 pc	9  1 pc	10  2 pcs
11  2 pcs	12  2 pcs	13  2 pcs		

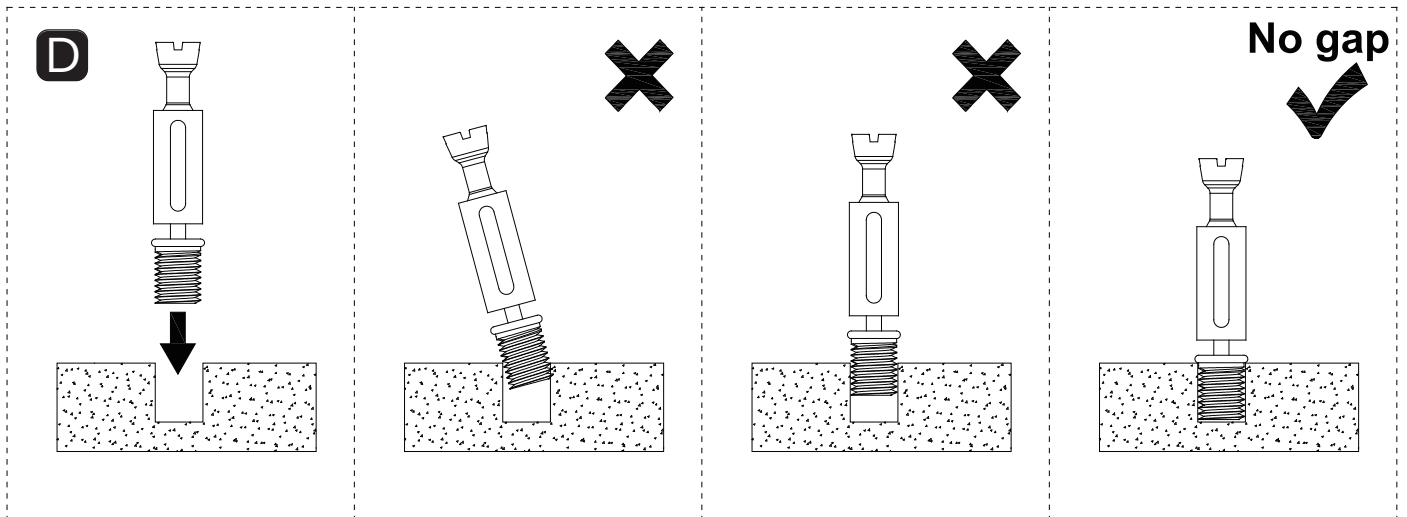
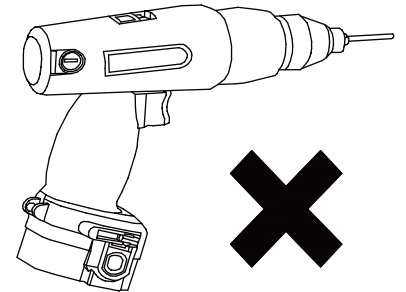
Hardware List

A	B	C	D	E	F
					
M6×12mm	5×38mm	Ø8×30mm	M6×44.5mm	Ø15mm	
2 pcs	4 pcs	18 pcs	48 pcs	48 pcs	16 pcs

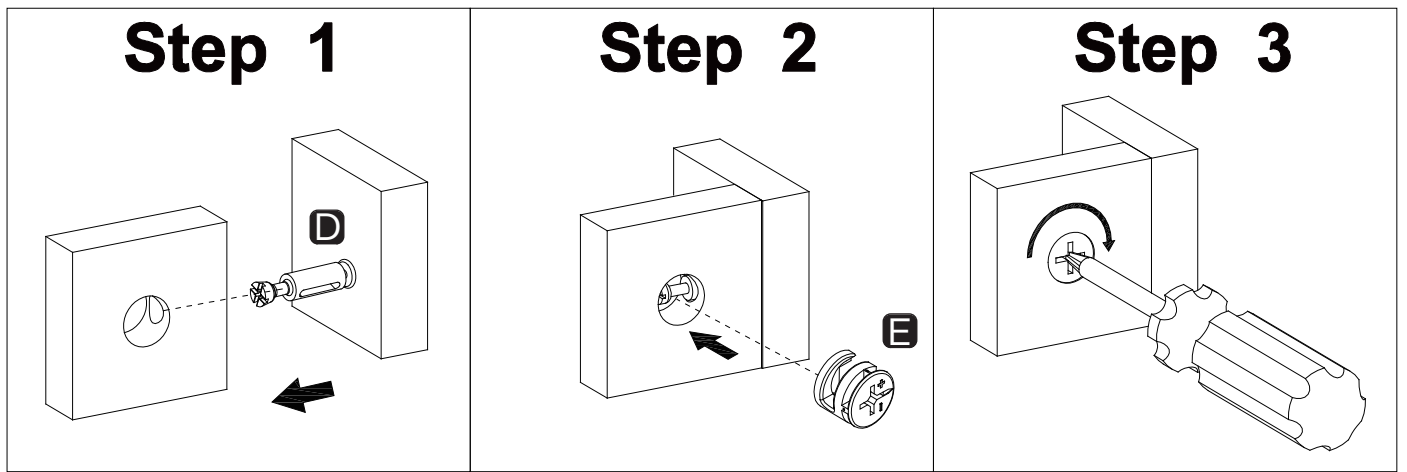
G	H	I	J	K	L
					
3.5×14mm	4X24.5mm	Ø16XØ6.2MM		Ø21mm	
16 pcs	2 pcs	2 pcs	2 pcs	4 pcs	1 pc

Installation of Cams and Pins

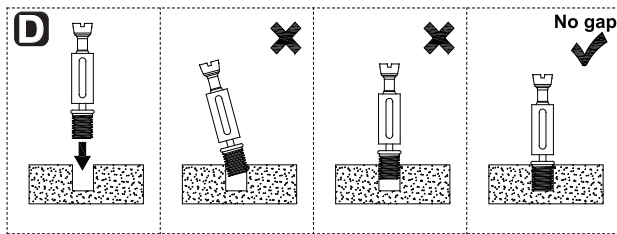
Read each step carefully before starting. Each step of instruction should be performed in the correct order. If these steps are not followed in sequence, assembly difficulties may occur.




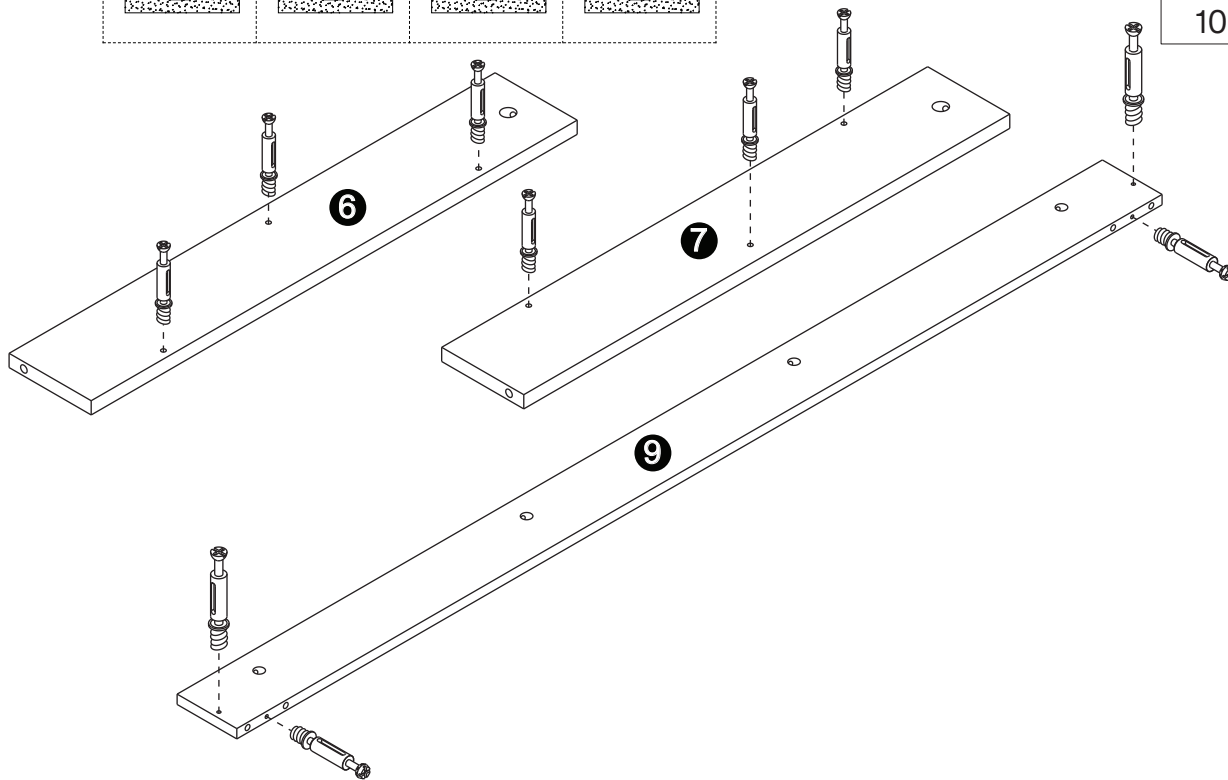
Screw the pin into the hole. Set the cams correctly by aligning the head of the cams with the lock pins. Lock the cam by turning the cam head with a screwdriver until it is tightened. Please do not use an electric screwdriver to assemble the unit.




1

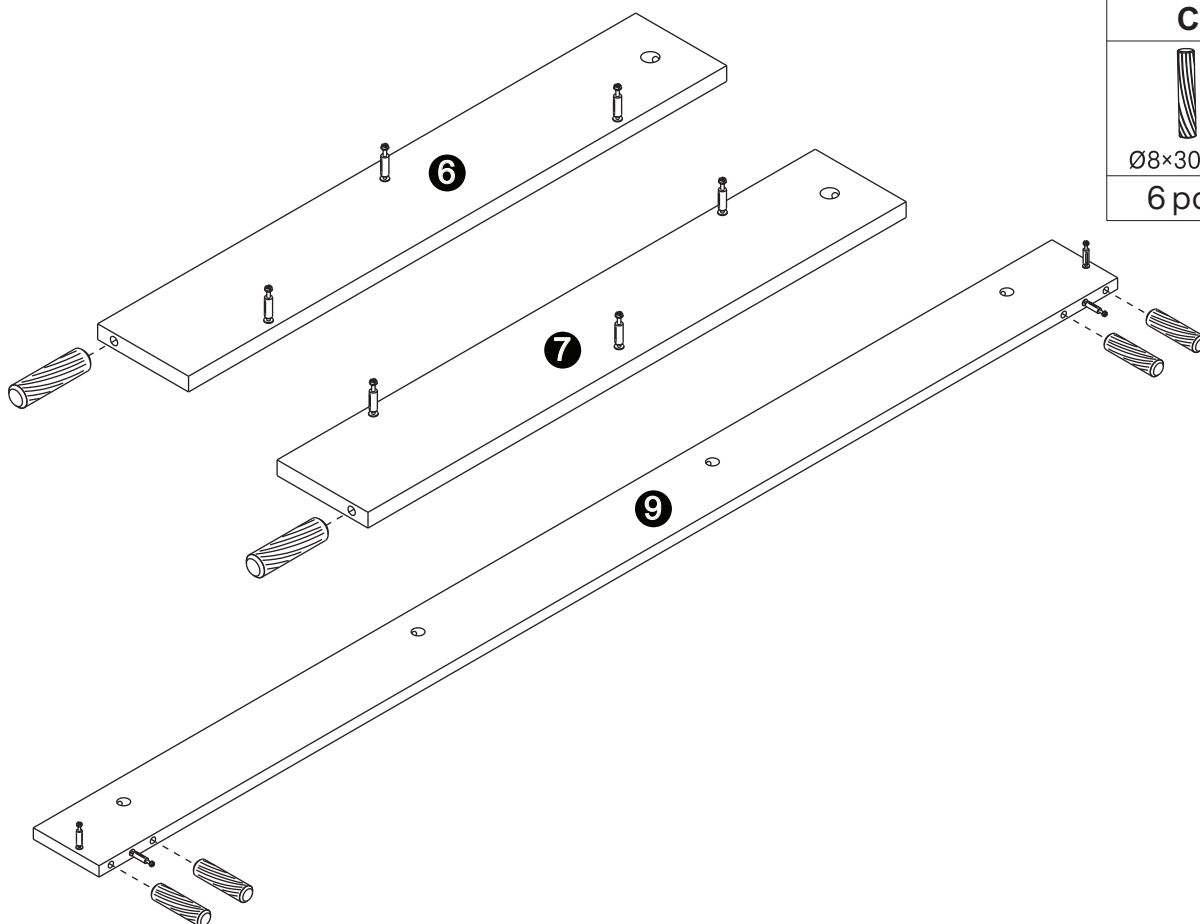


D

M6×44.5mm
10 pcs

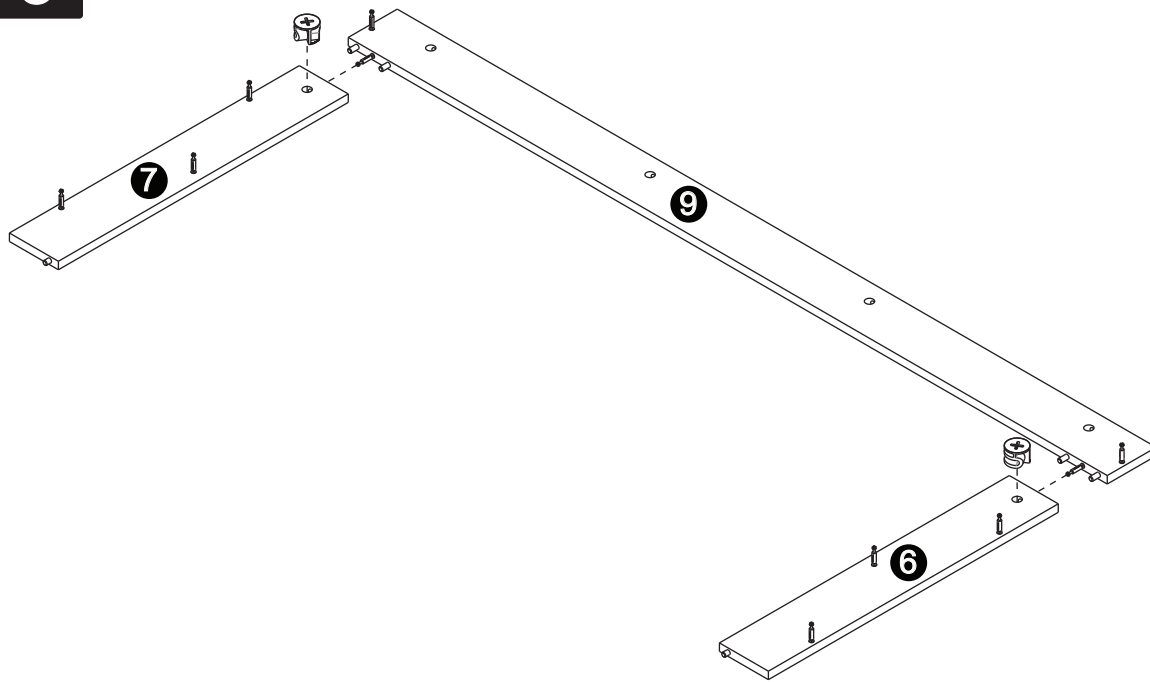


2

C

Ø8×30mm
6 pcs



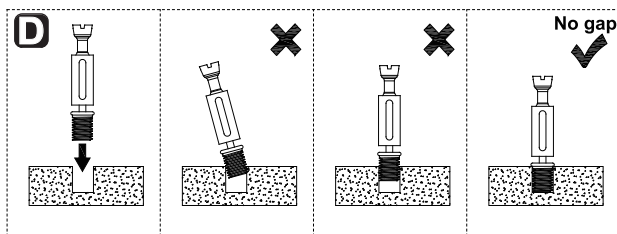
3



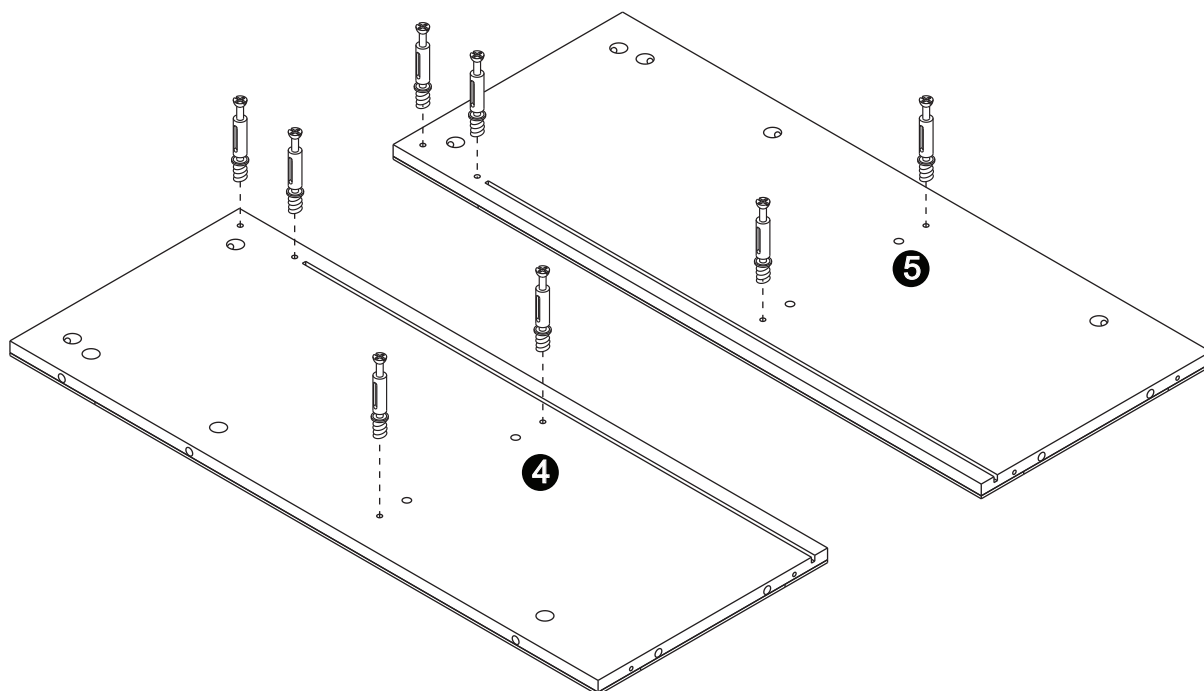
E
Ø15mm
2 pcs

Step 1
Step 2
Step 3


4

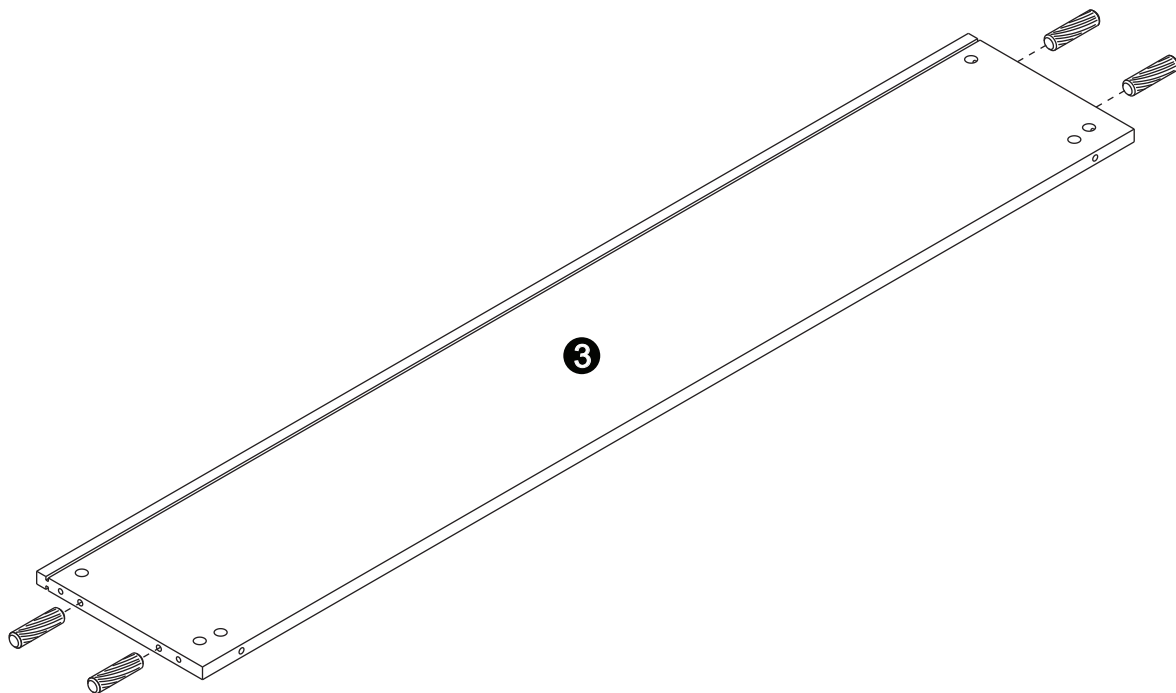


D
M6×44.5mm
8 pcs




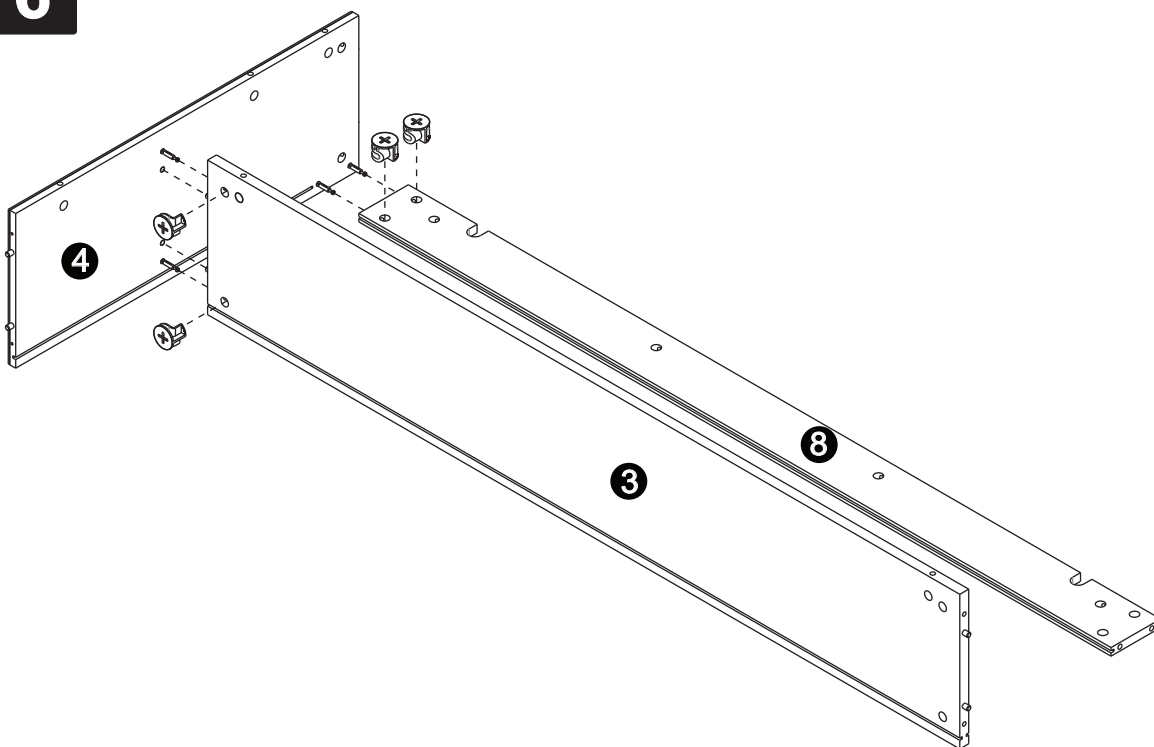
5

C

Ø8×30mm
4 pcs

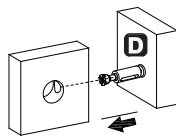


6

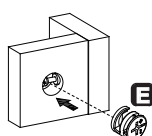
E

Ø15mm
4 pcs



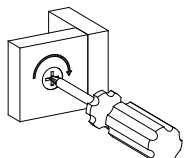
Step 1



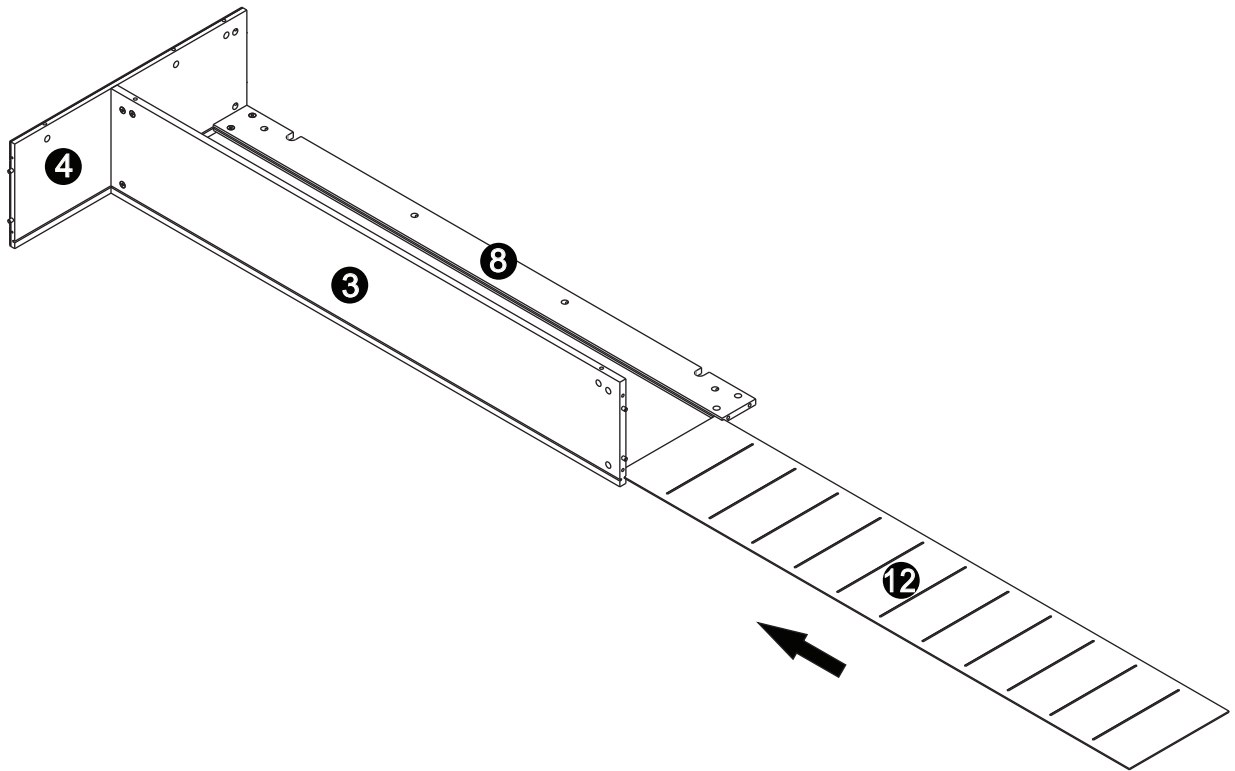
Step 2



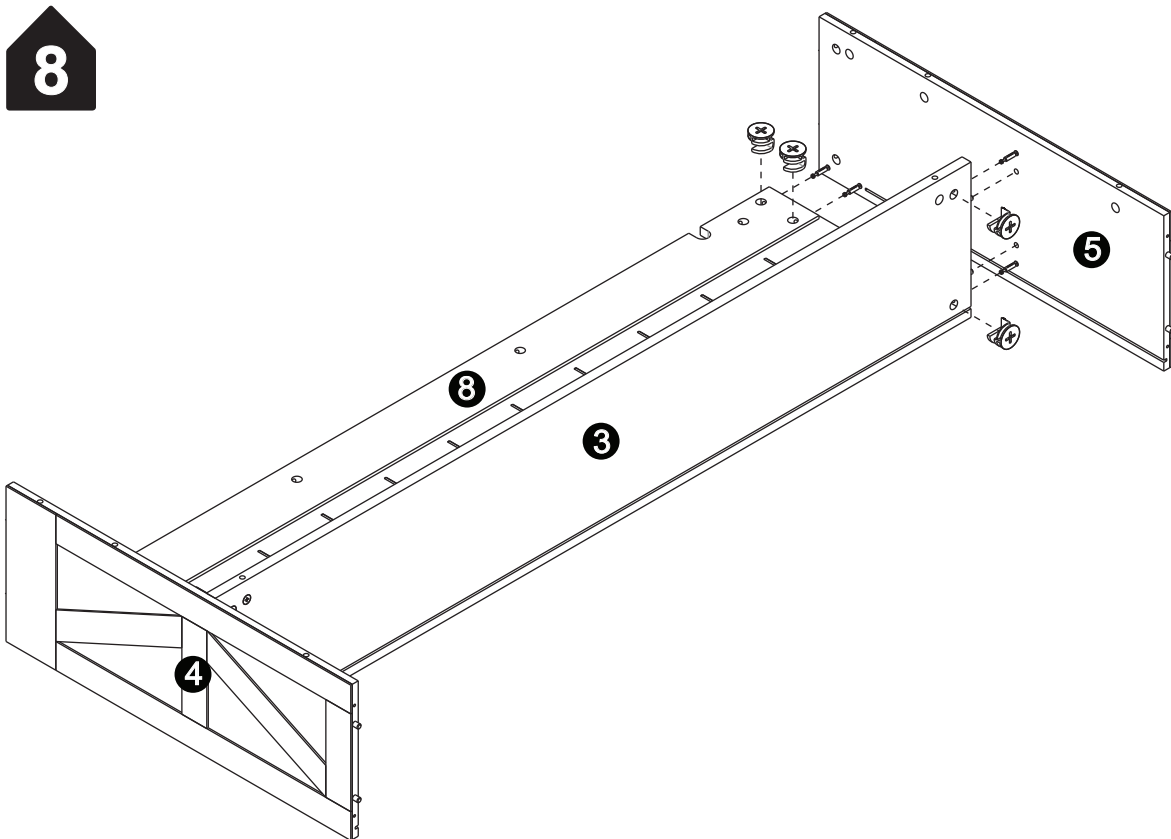
Step 3




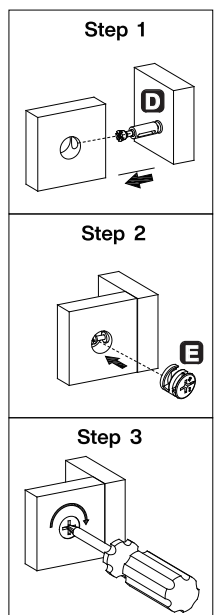
7



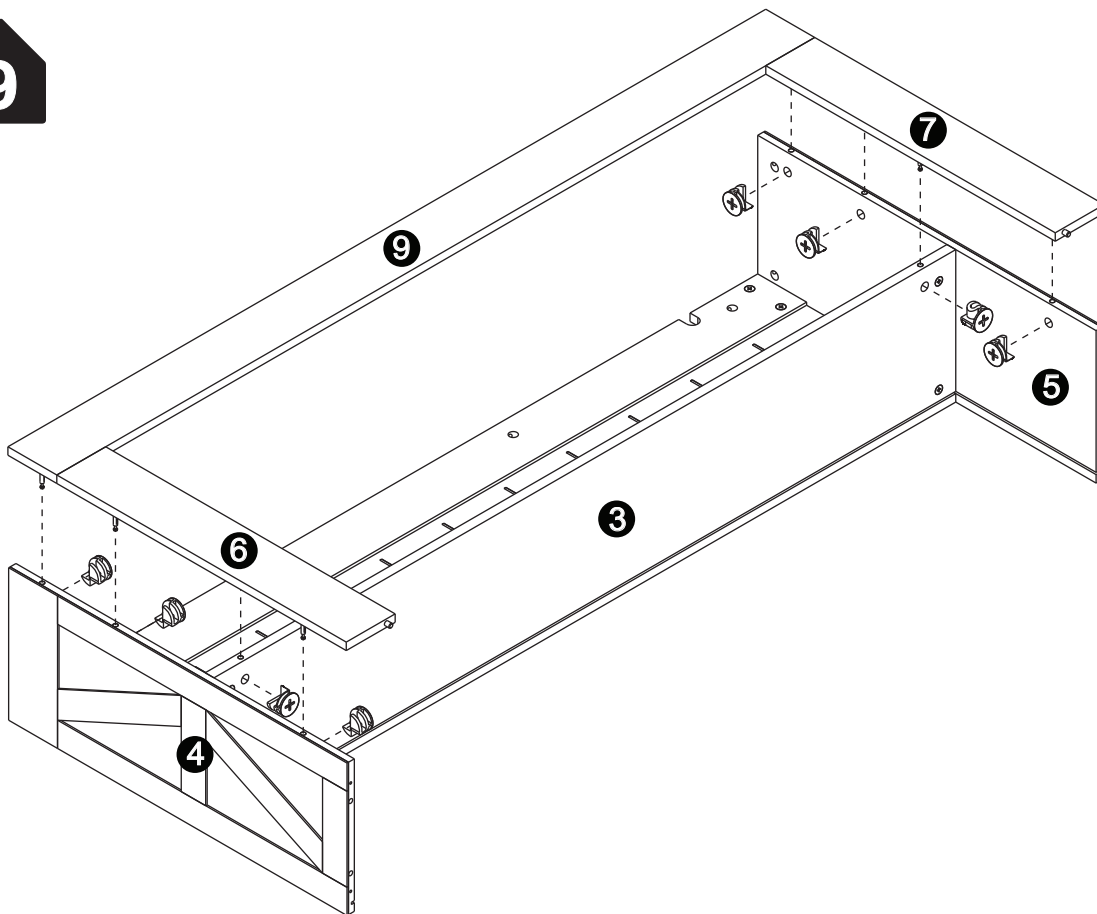
8




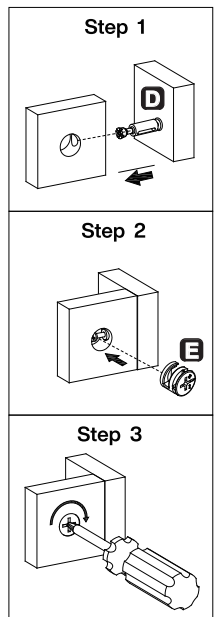
E

Ø15mm
4 pcs



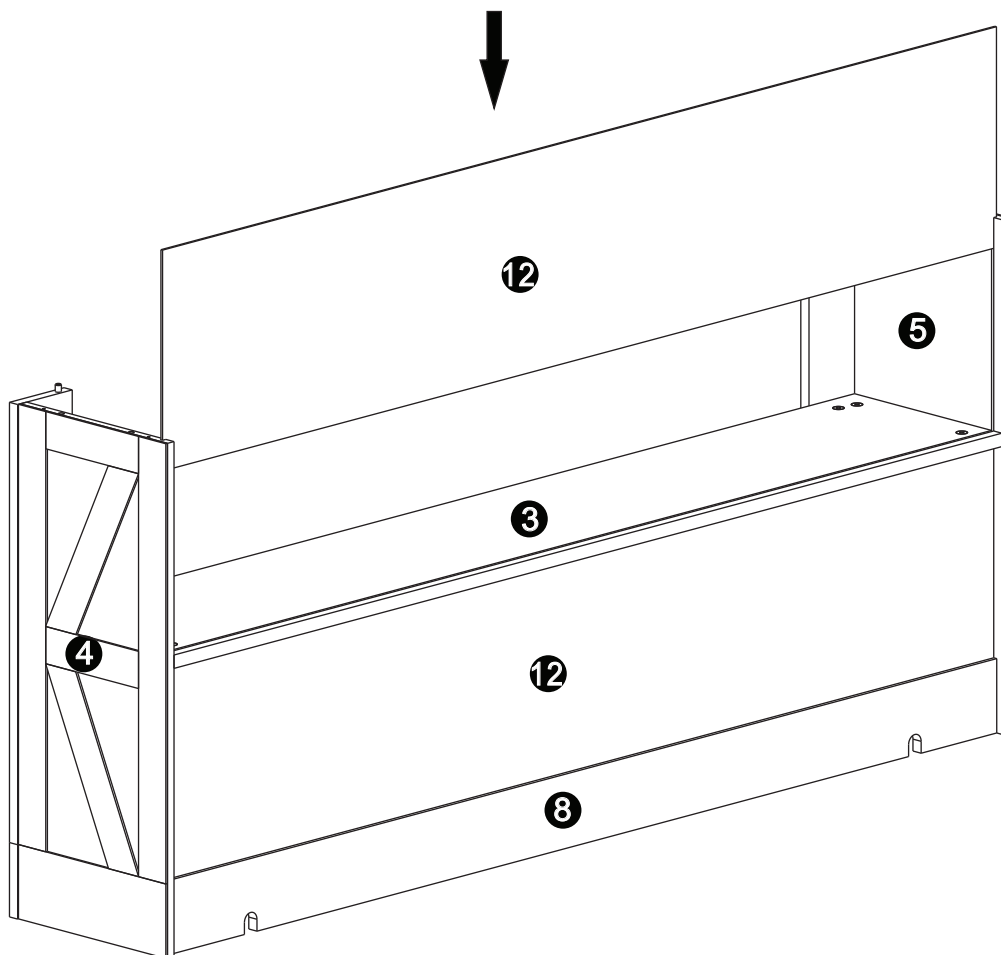
9



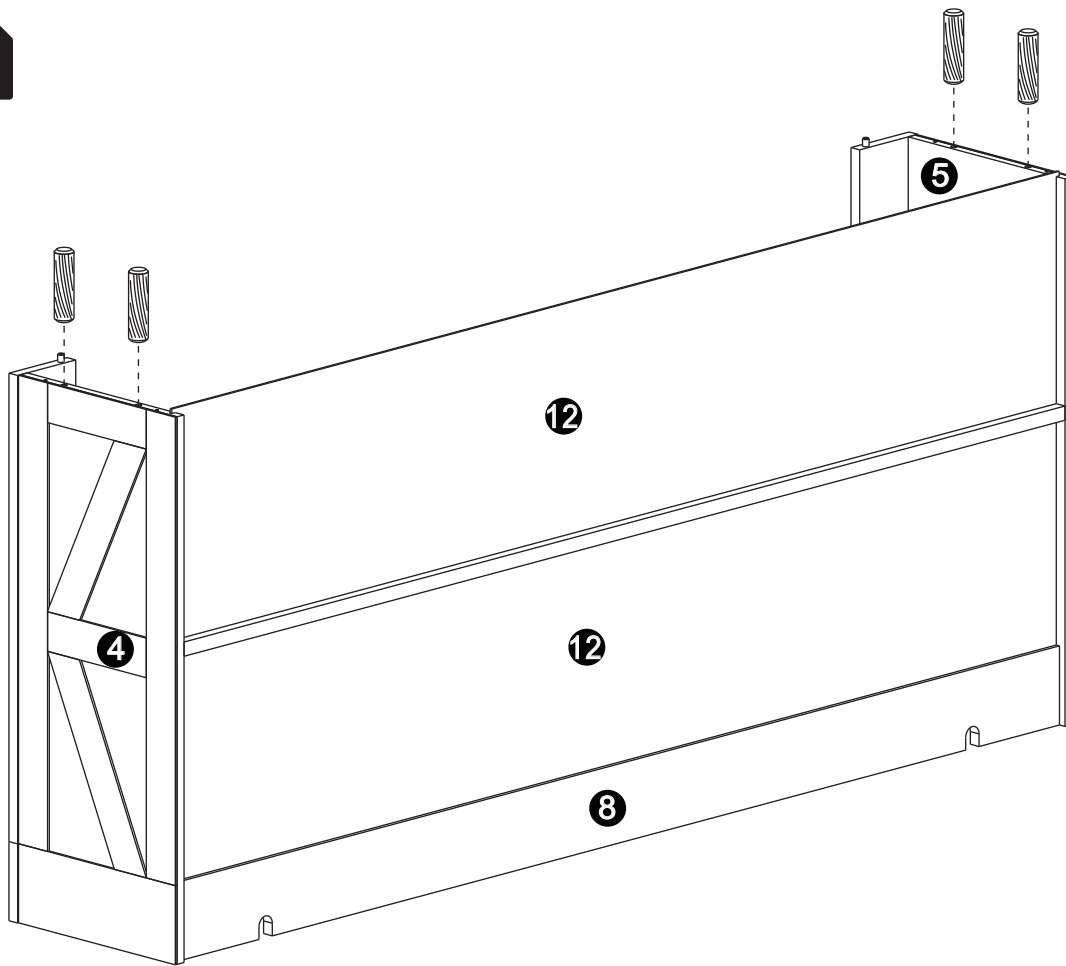
E

Ø15mm
8 pcs




10

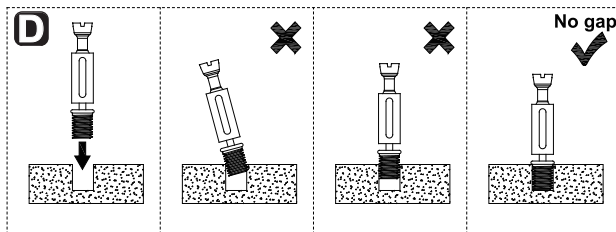



11

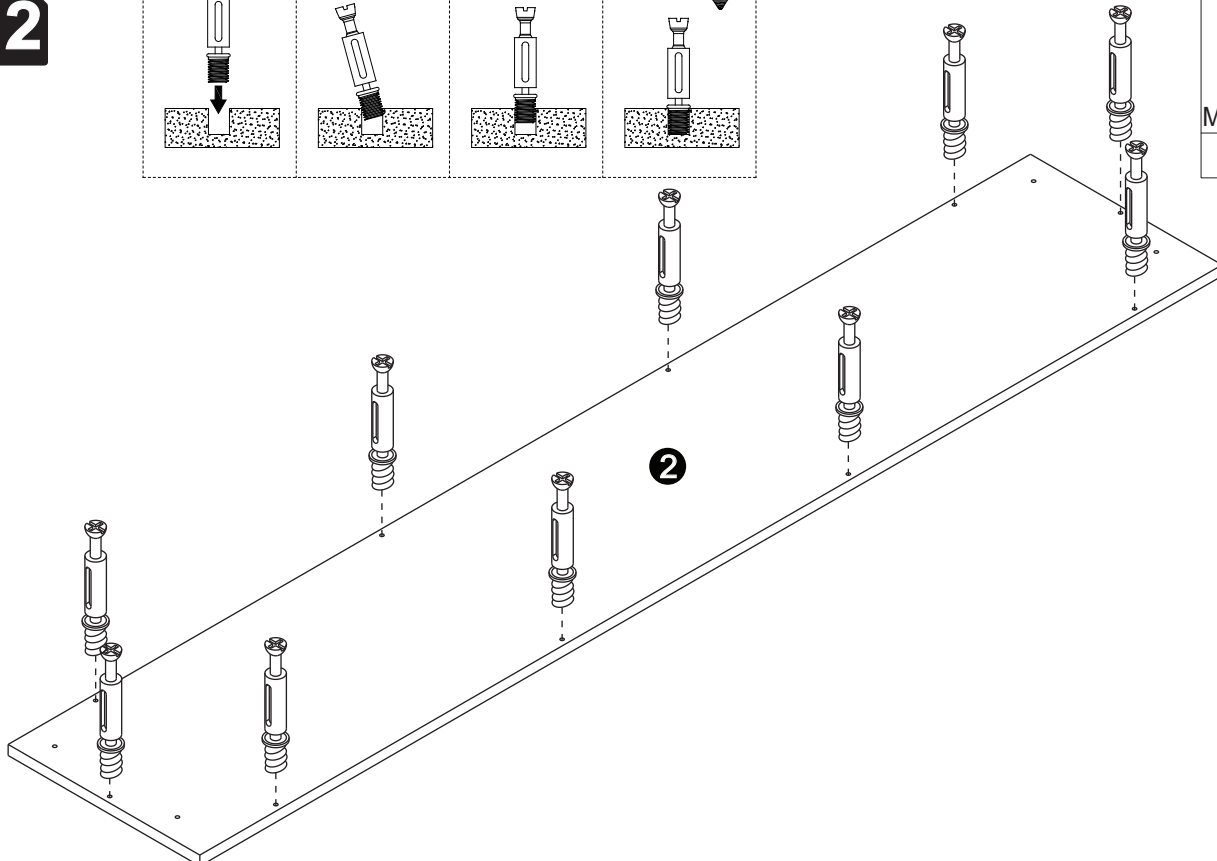


C

Ø8×30mm
4 pcs

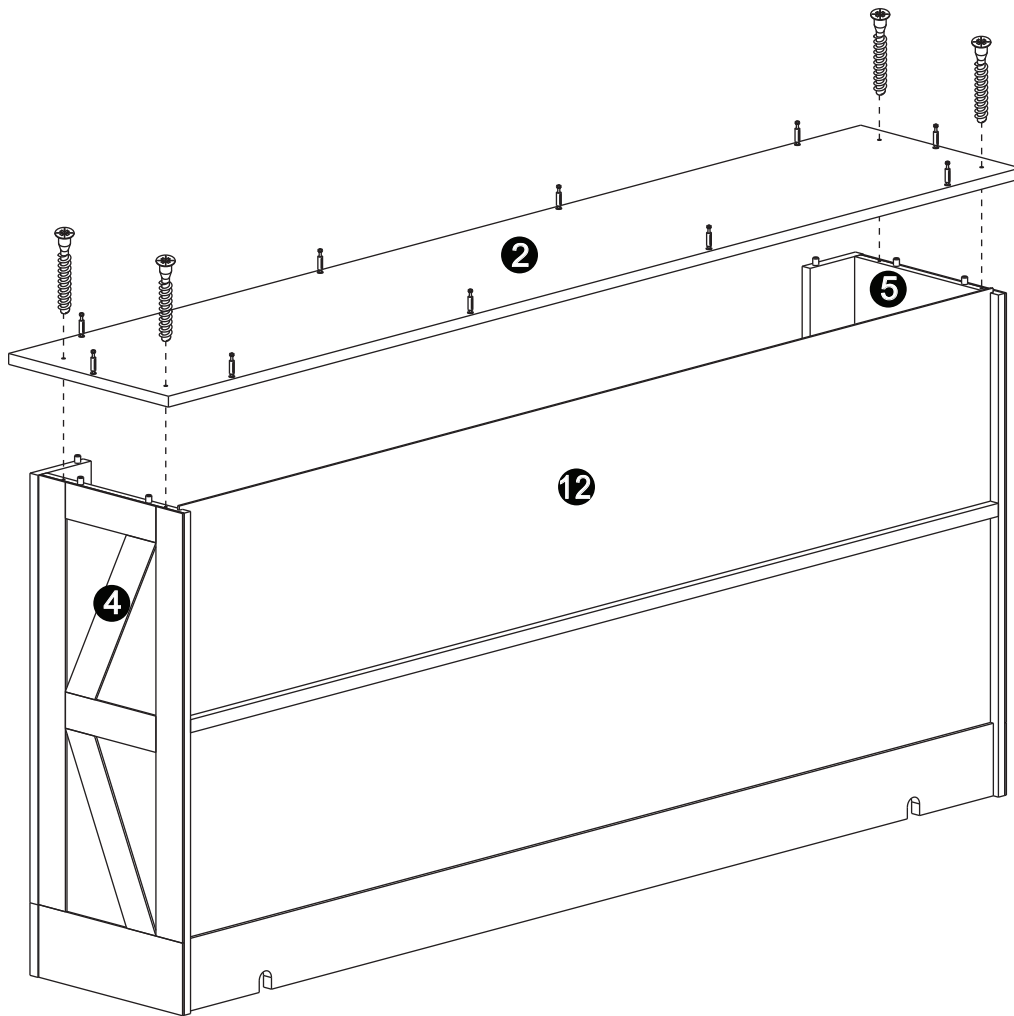
12




D

M6×44.5mm
10 pcs

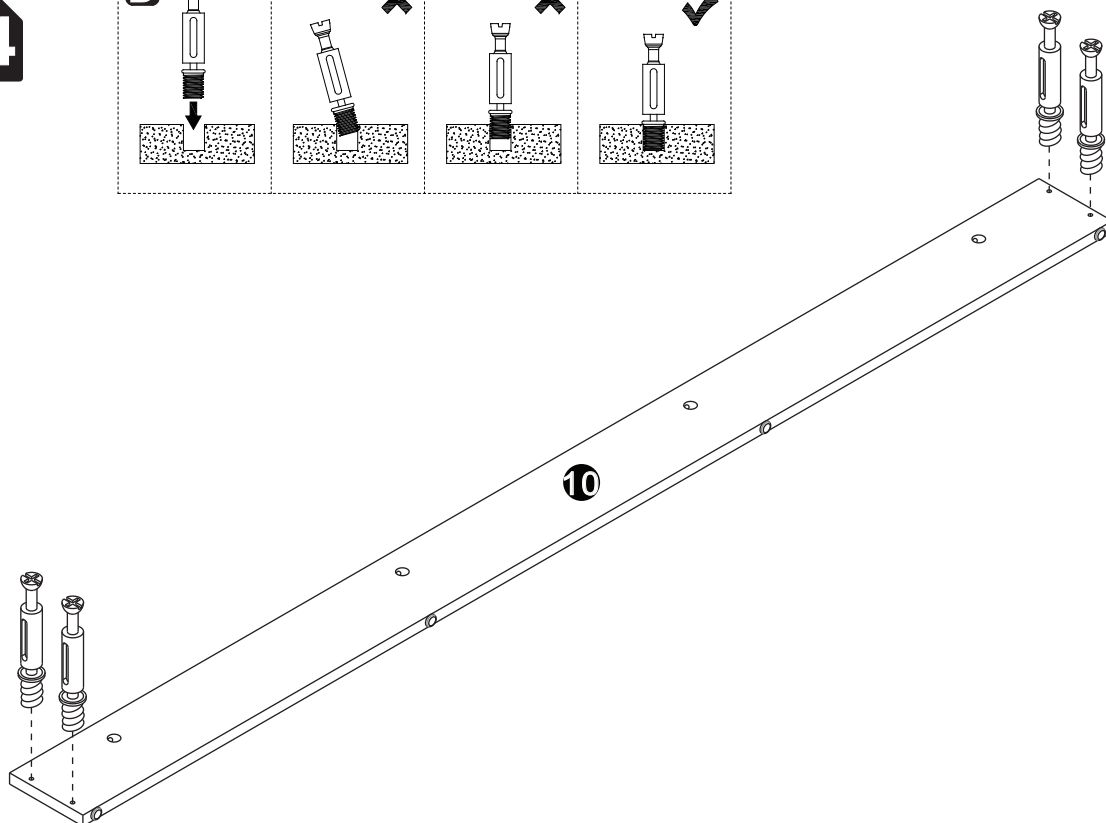
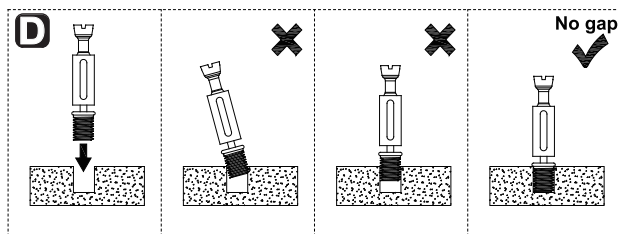



13



B

5×38mm
4 pcs

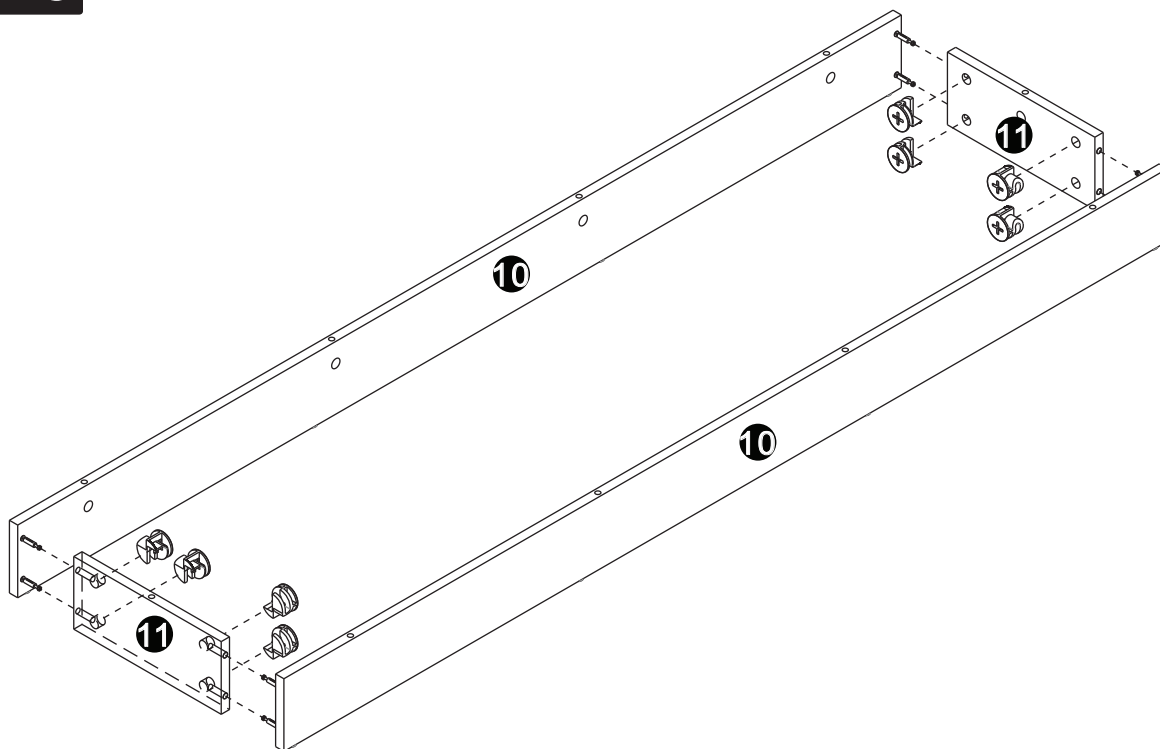
14




D

M6×44.5mm
8 pcs

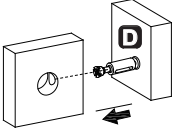
×2

15

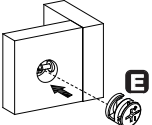


E

Ø15mm
8 pcs

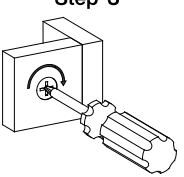
Step 1



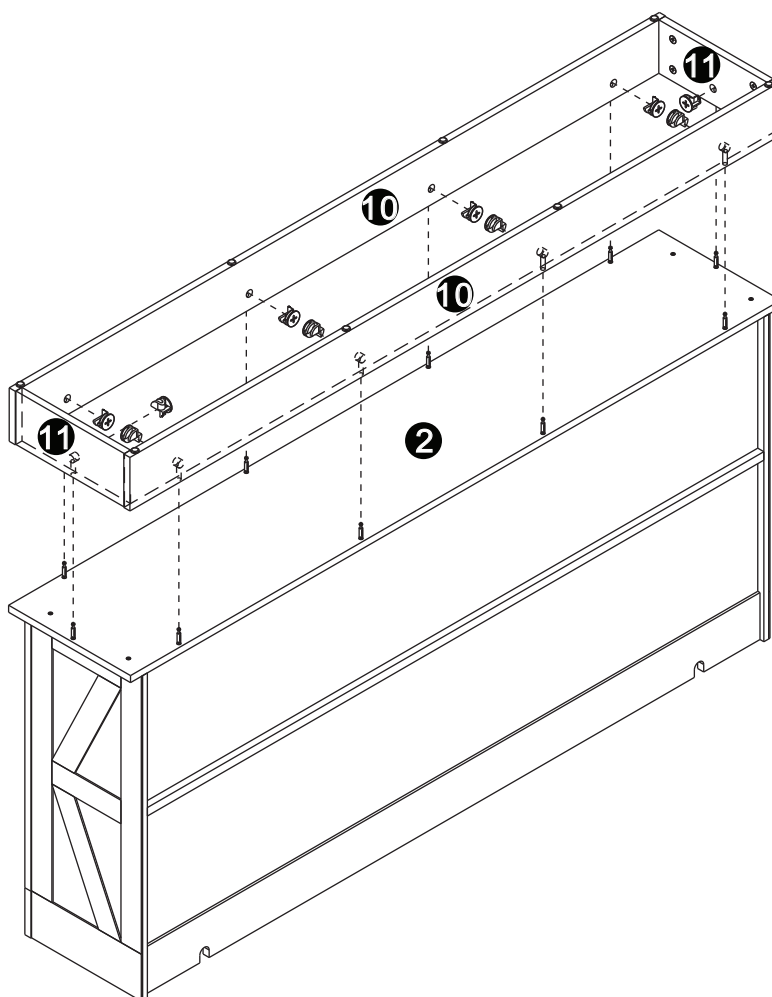
Step 2




Step 3

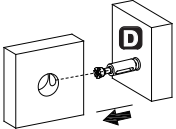


16

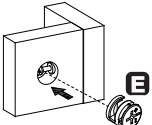


E

Ø15mm
10 pcs

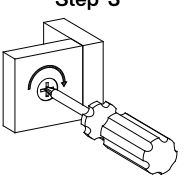
Step 1



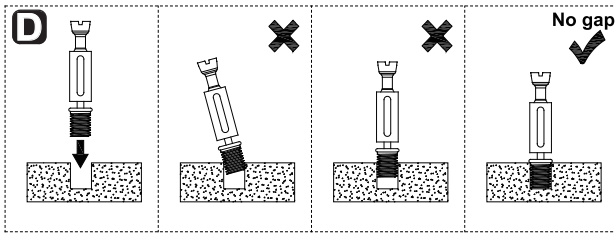
Step 2




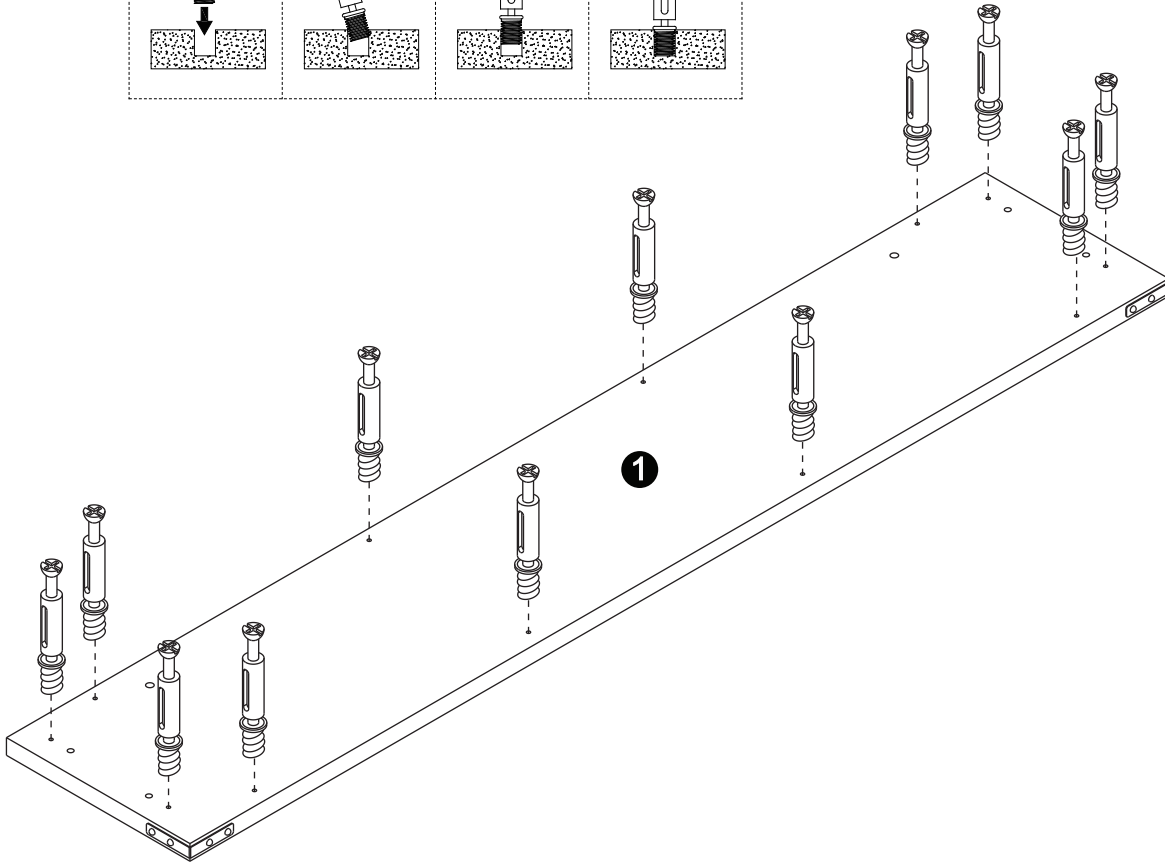
Step 3




17

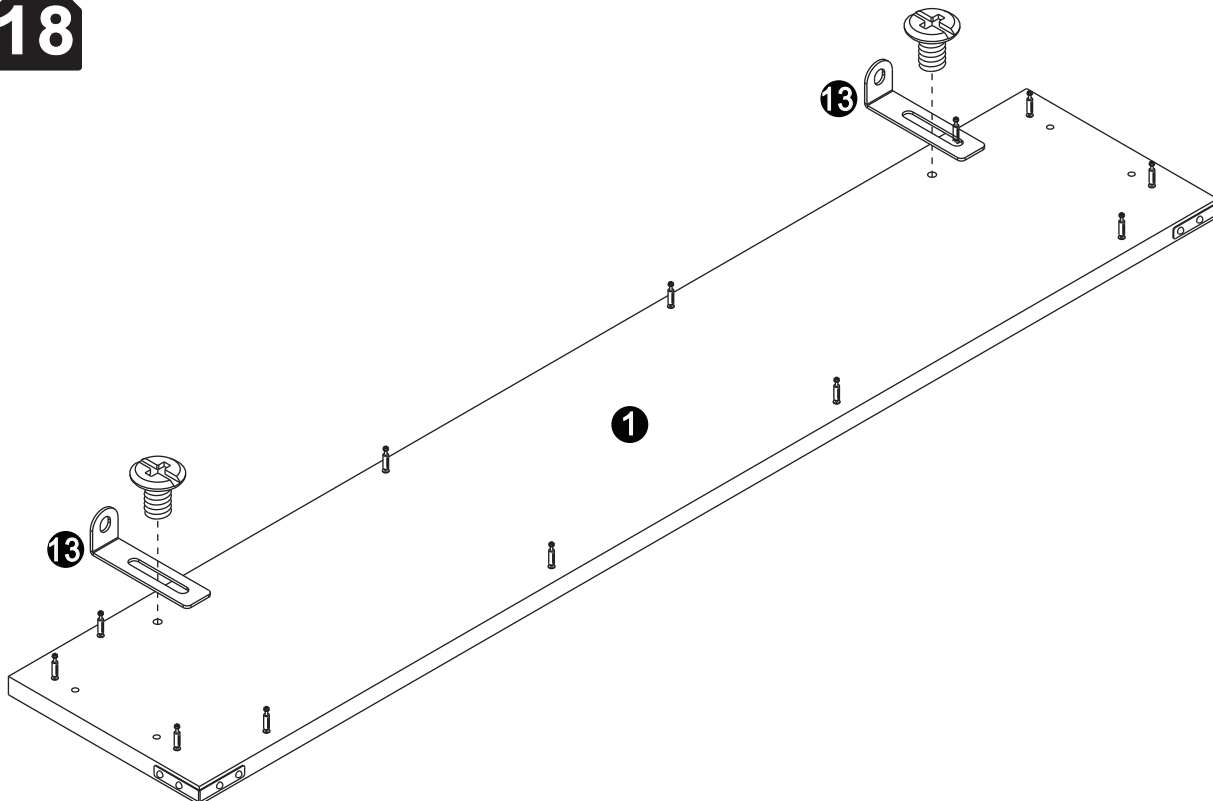


D

M6×44.5mm
12 pcs




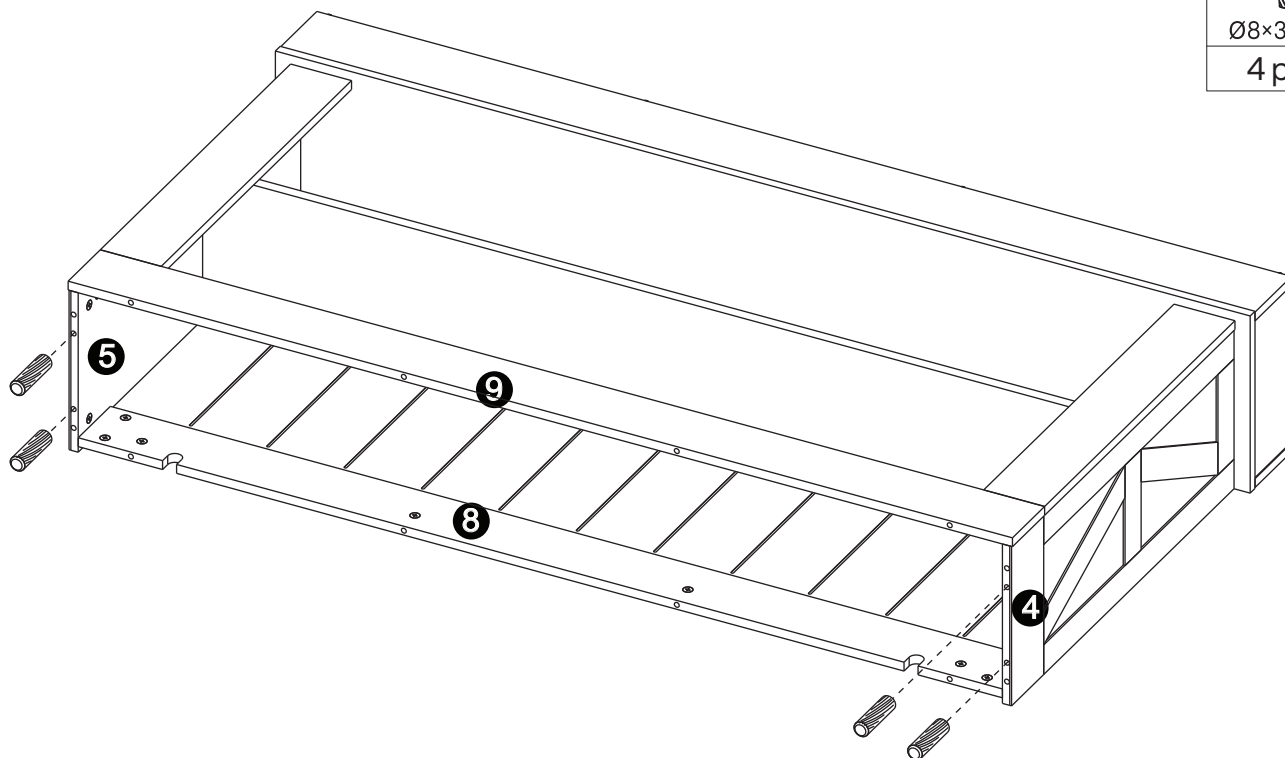
18

A

M6×12mm
2 pcs




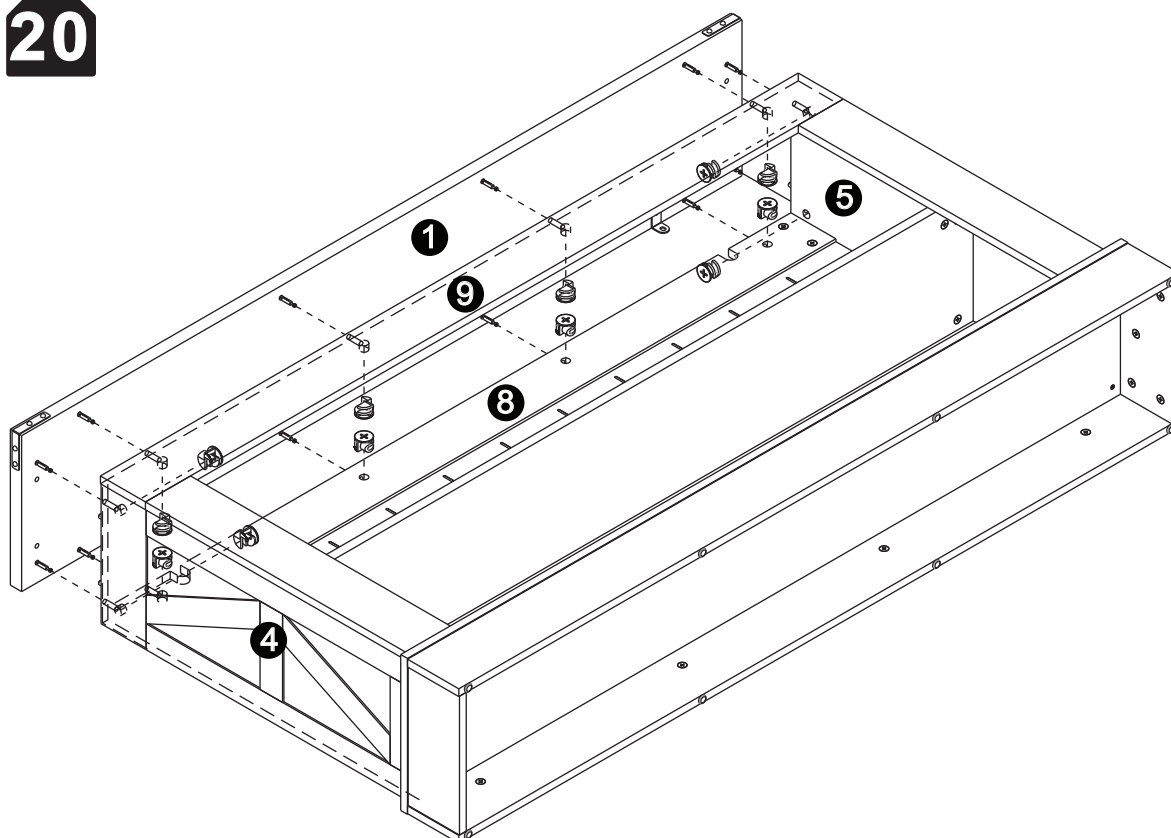
19

C

Ø8×30mm
4 pcs

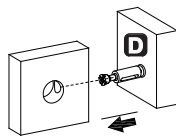


20

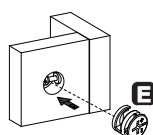
E

Ø15mm
12 pcs



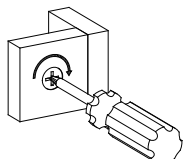
Step 1



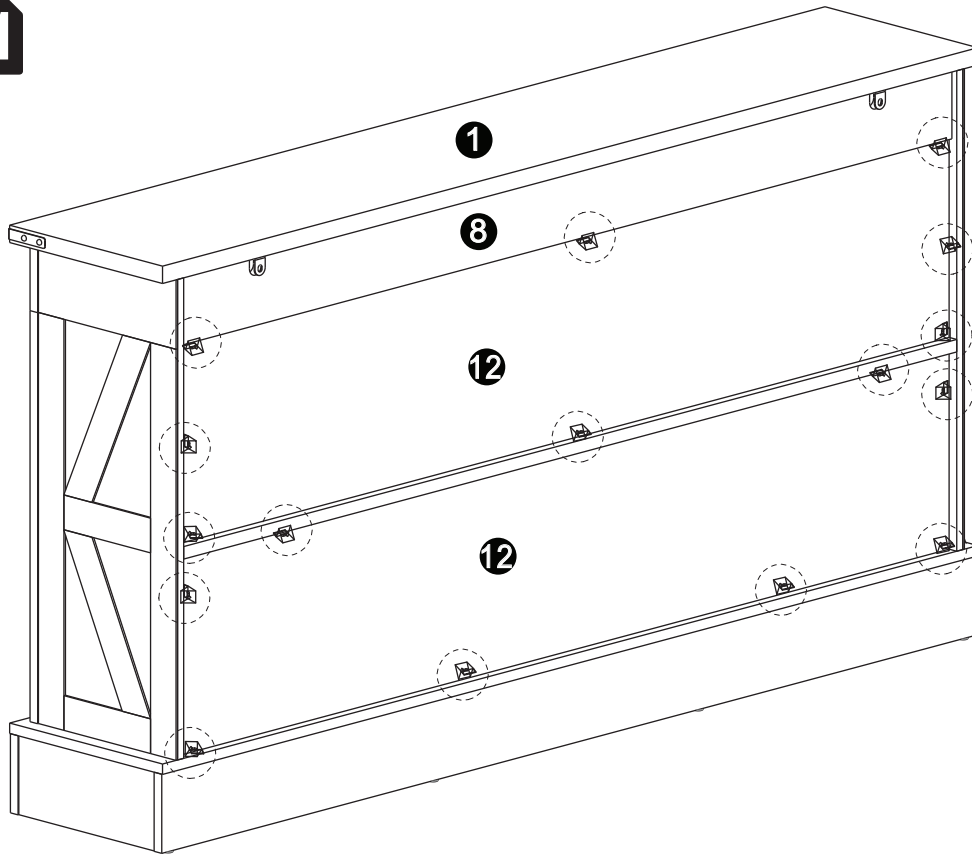
Step 2





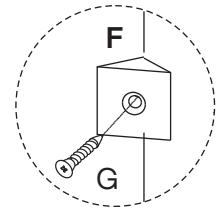
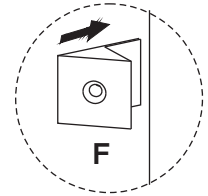
Step 3



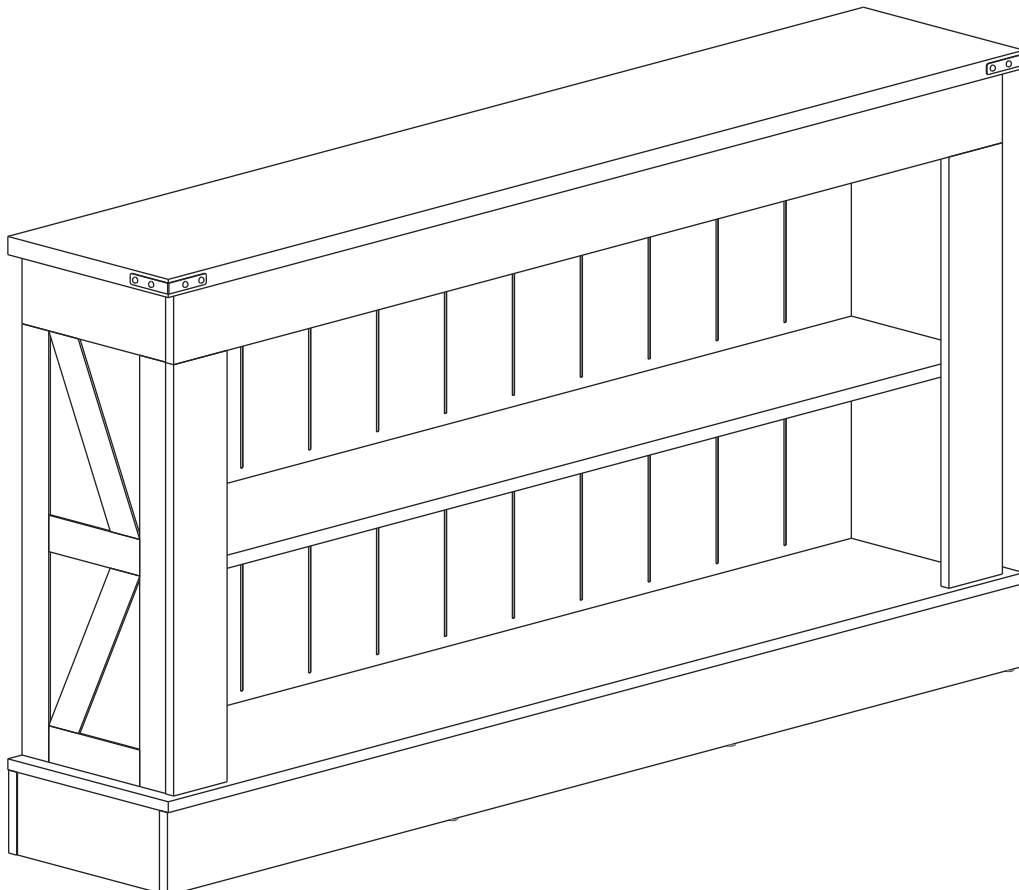
21




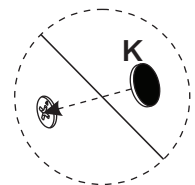
F	G
	
16 pcs	3.5x14mm 16 pcs

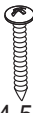




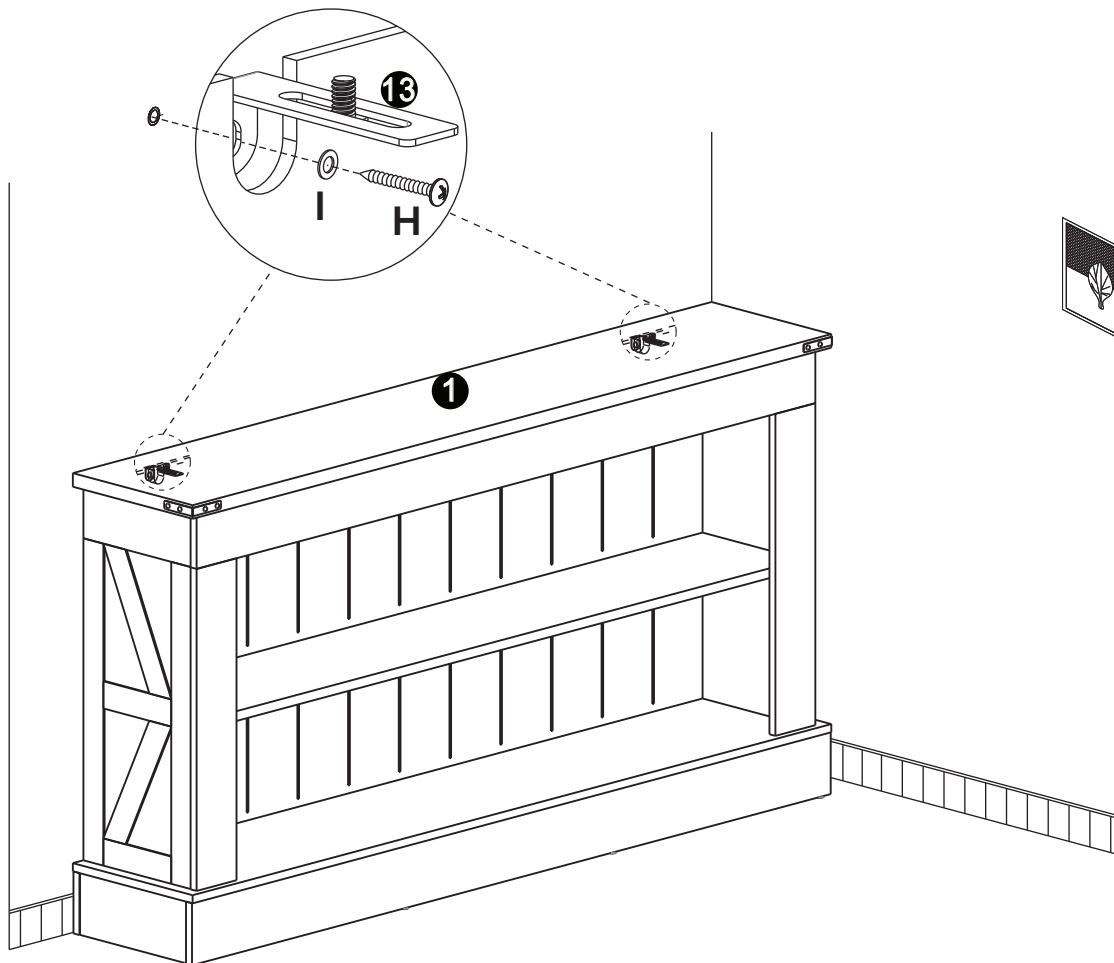
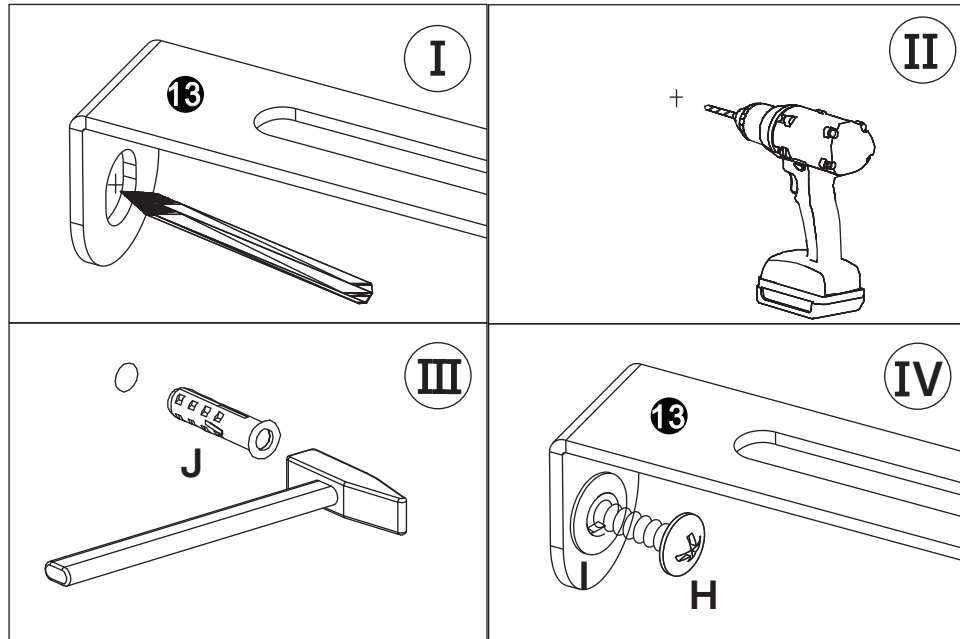
22



K

Ø21mm 4 pcs



H	I	J
		
4X24.5mm	Ø16XØ6.2mm	
2 pcs	2 pcs	2 pcs



Thank you for your support!

