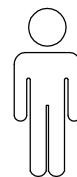
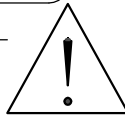
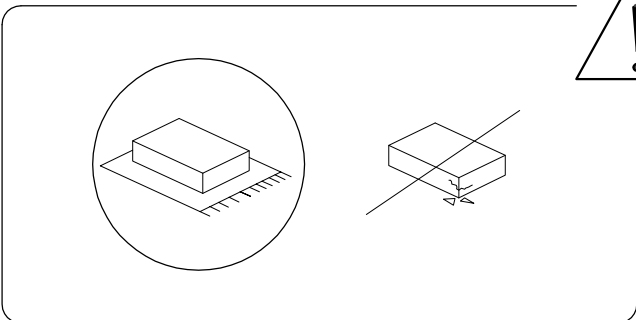
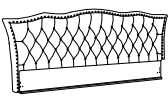
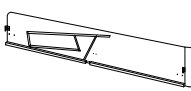

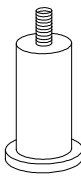


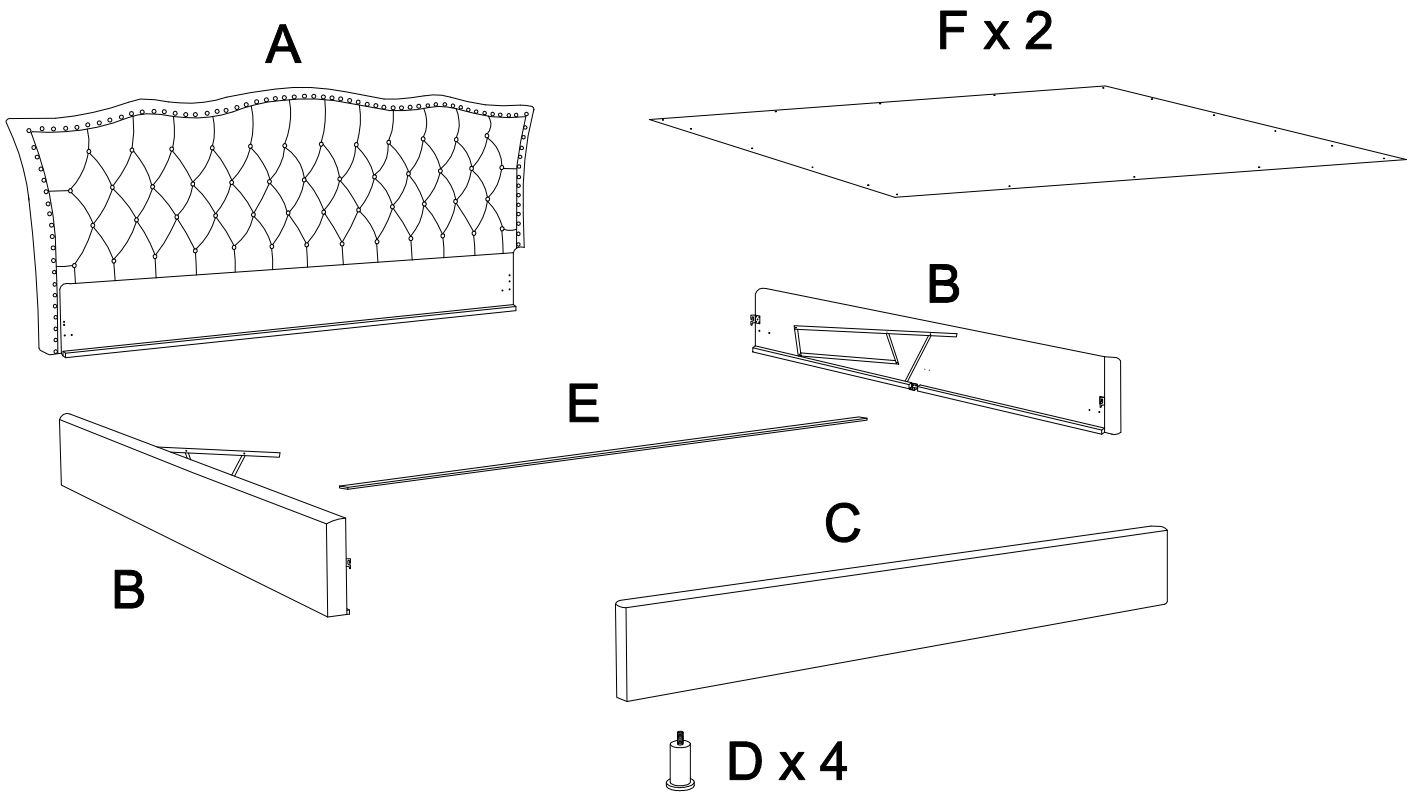


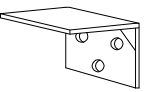
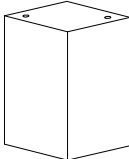
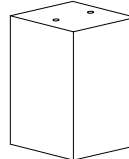


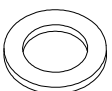
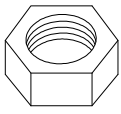
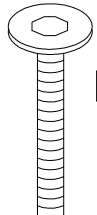
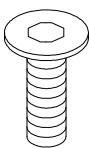
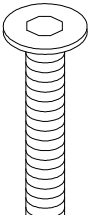


120'



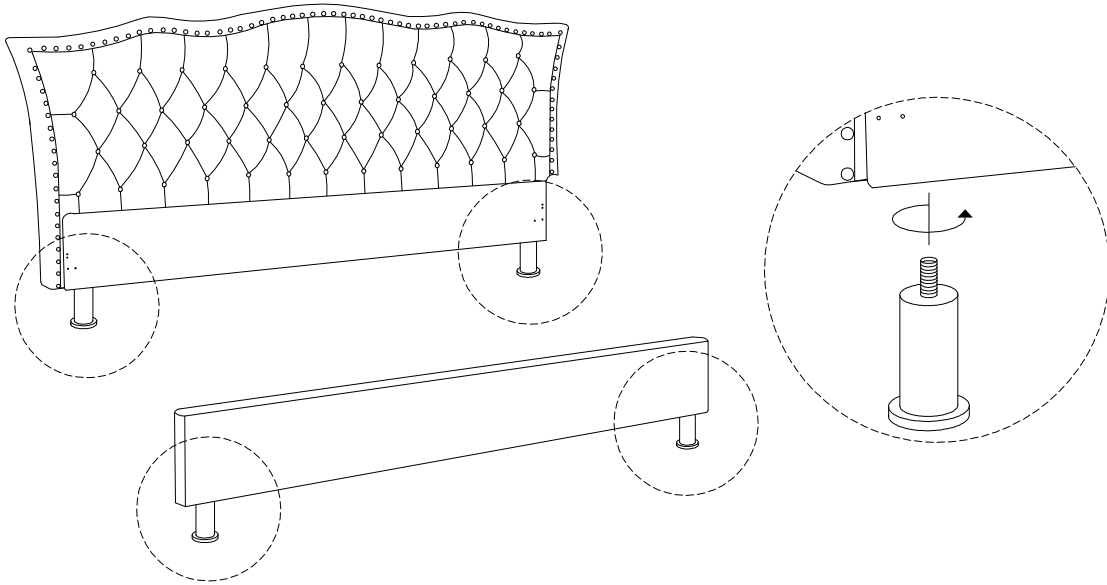
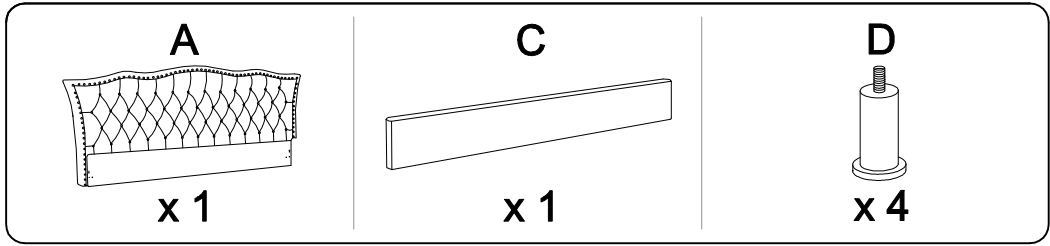
2

A	B	C	D	E	F
					
x 1	x 2	x 1	x 4	x 1	x 2

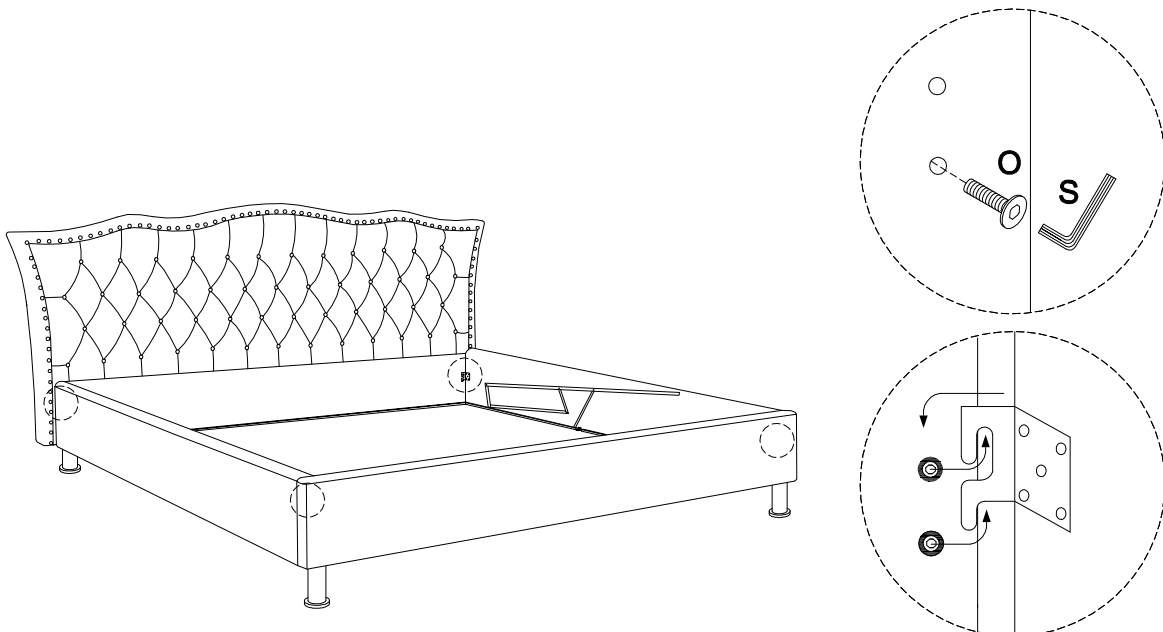
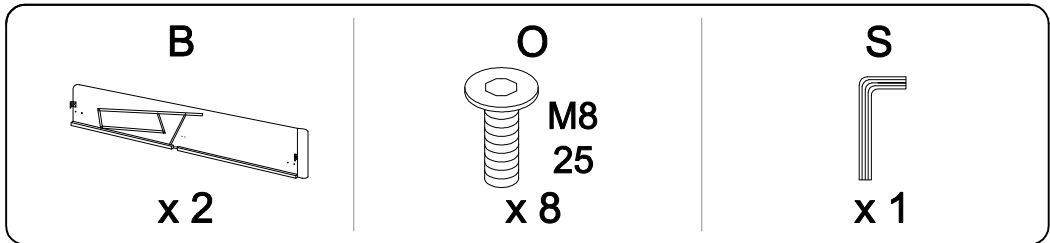


G	H	I	J	K	L
					
x 4	x 2	x 1	M3 20 x 40	M4 25 x 22	x 6
M	N	O	P	R	S
					
x 6	M6 45 x 6	M8 25 x 8	M8 45 x 2	x 2	x 1

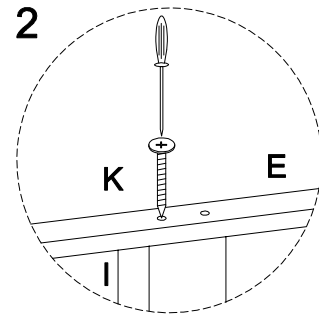
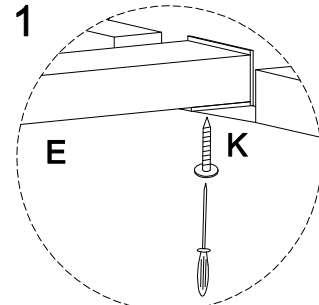
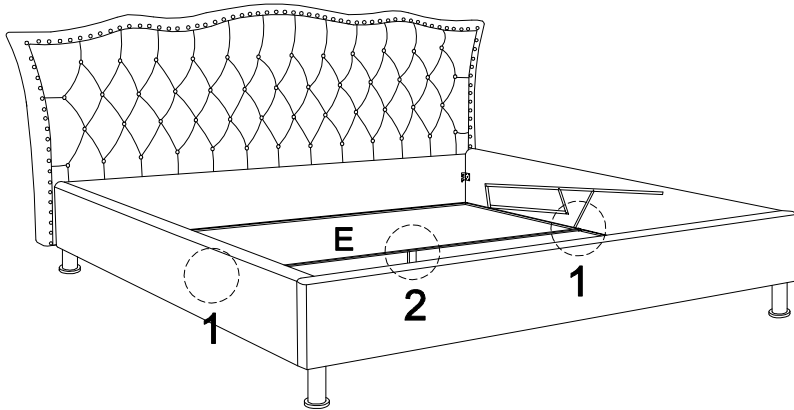
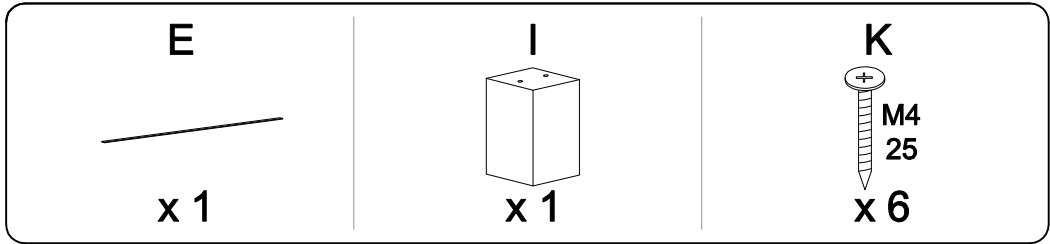
1



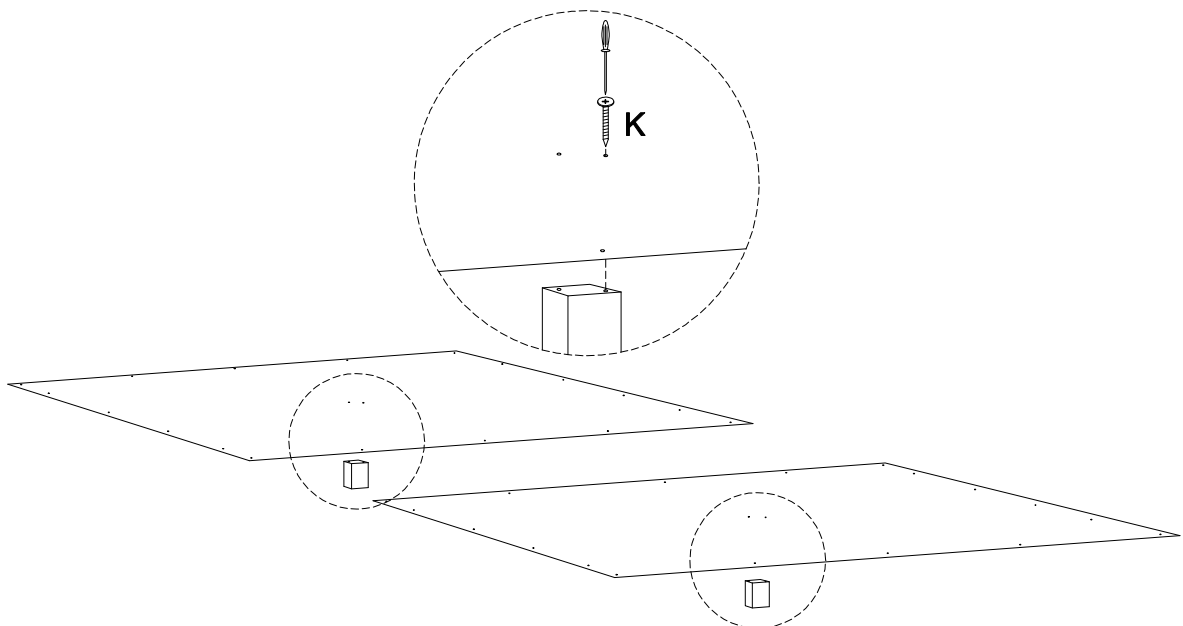
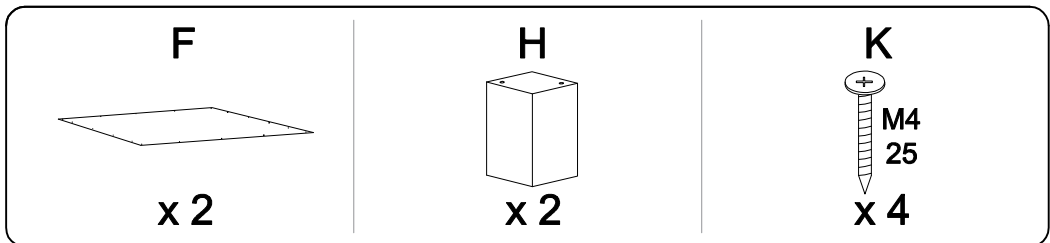
2



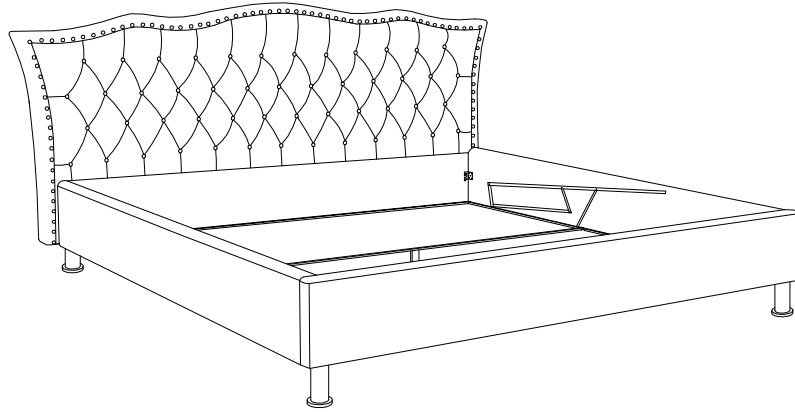
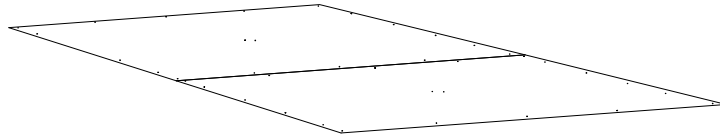
3



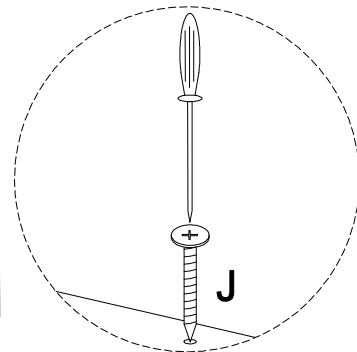
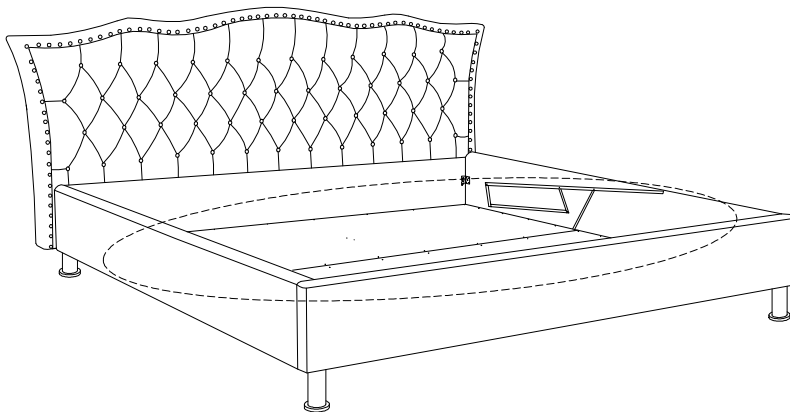
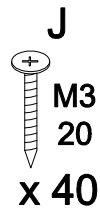
4



5

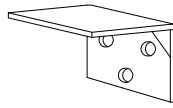


6



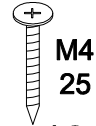
7

G

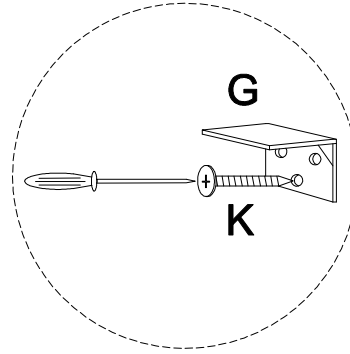
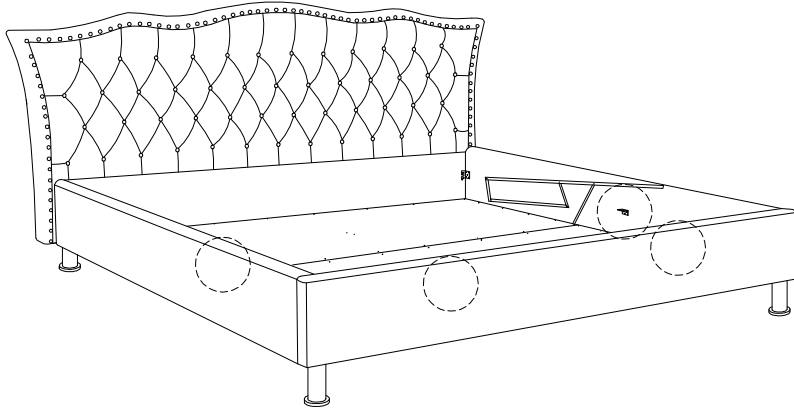


x 4

K

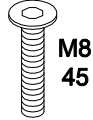


x 12



!

P

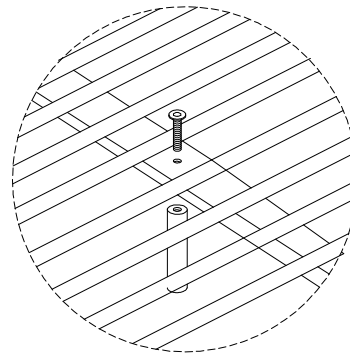
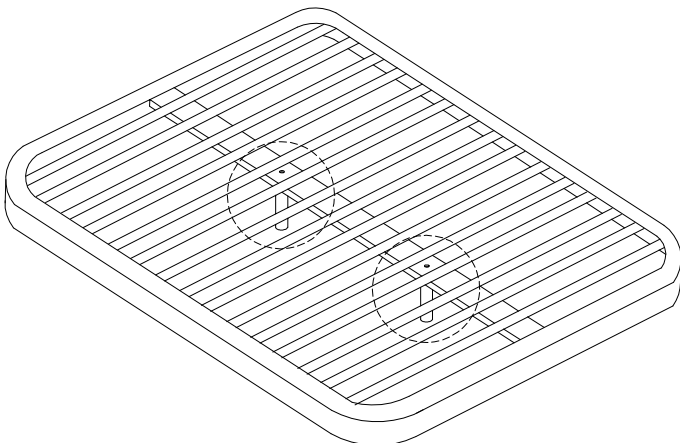


x 2

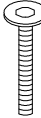
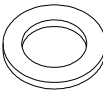
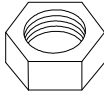

R



x 2



8

<p>N</p>  <p>M6 45</p> <p>x 6</p>	<p>L</p>  <p>x 6</p>	<p>M</p>  <p>x 6</p>	<p>S</p>  <p>x 1</p>
--	---	--	---

