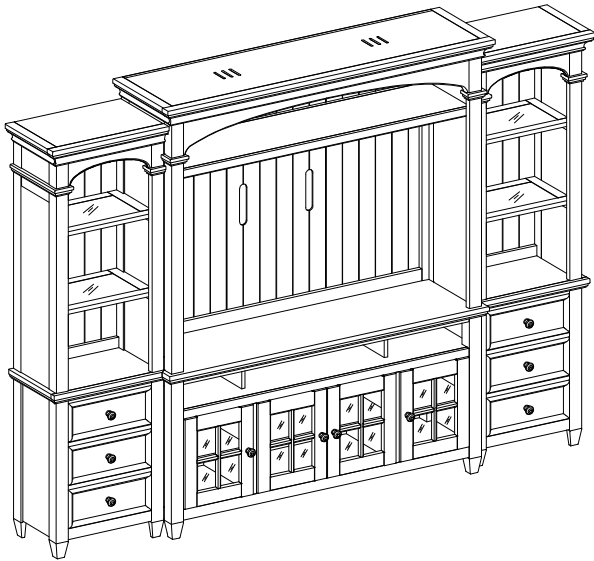
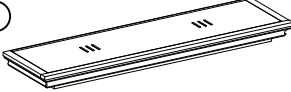
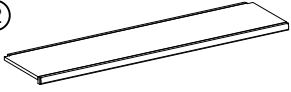
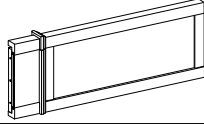
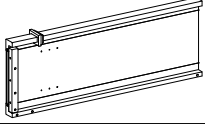
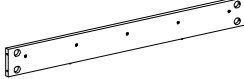

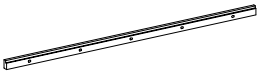
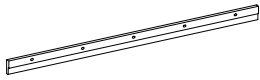





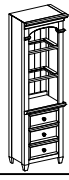
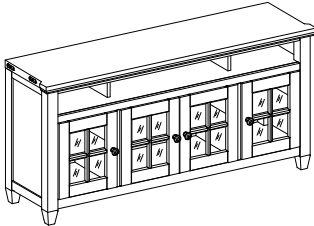
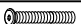





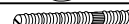
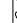


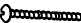
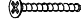
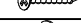


ASSEMBLY INSTRUCTION

**DESCRIPTION : ENTERTAINMENT HUTCH
ENTERTAINMENT TV STAND
LEFT PIER
RIGHT PIER**

Thank you for purchasing this quality product. Be sure to check all packing material carefully for small Hardware which may have come loose inside the carton during shipment. Identify and count all Hardware and compare with the Hardware List Below.



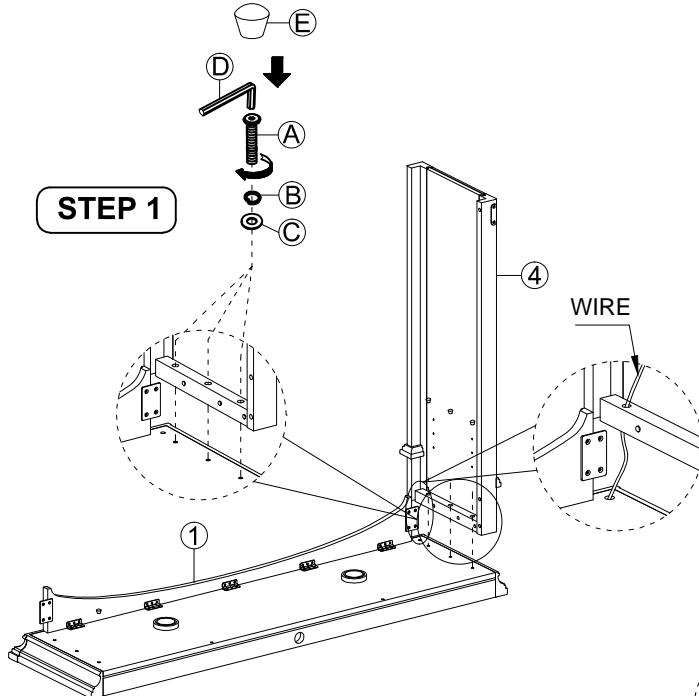
Hutch Parts List	
① 	② 
Light Bridge : 1pc	Adjustable Shelf : 1pc
③ 	④ 
LSF Frame : 1pc	RSF Frame : 1pc
⑤ 	⑥ 
Top Back Rail : 1pc	Bottom Back Rail : 1pc
⑦ 	⑧ 
Top Back Rail Support : 1pc	Bottom Back Rail Support : 1pc
⑨ 	⑩ 
Side Back Panel Frame : 2 pcs	Center Back Panel Frame : 1pc

Parts List		Assembly Hardware Pack			
Description		⑪			
 Glass Shelf : 2pcs Left Pier : 1pc	 Glass Shelf : 2pcs Right Pier : 1pc	No.	Description	Hardware	Qty.
 TV Stand : 1pc		(A)	JCBC Screw Ø1/4" x 40mm		22 pcs
		(B)	Spring Washer Ø1/4"		22 pcs
		(C)	Flat Washer Ø1/4" x 13mm		6 pcs
		(D)	Allen Key M4		1 pc
		(E)	Wood Cap		6 pcs
		(F)	Flat Washer Ø1/4" x 19mm		16 pcs
		(G)	Hanger Bolt Ø5/16" x 89mm		6 pcs
		(H)	Round Half Washer Ø5/16"		6 pcs
		(K)	Hange nut Ø5/16"		6 pcs
		(I)	Wrench		1 pc
		(J)	PH Screw M4 x 32mm		7 pcs
		(M)	CBS Screw M4 x 20mm		4 pcs
		(N)	CBS Screw M3.5 x 12mm		4 pcs
		(O)	Shelf Pin		4 pcs
(P)	Tipping Restraint		1 Set		

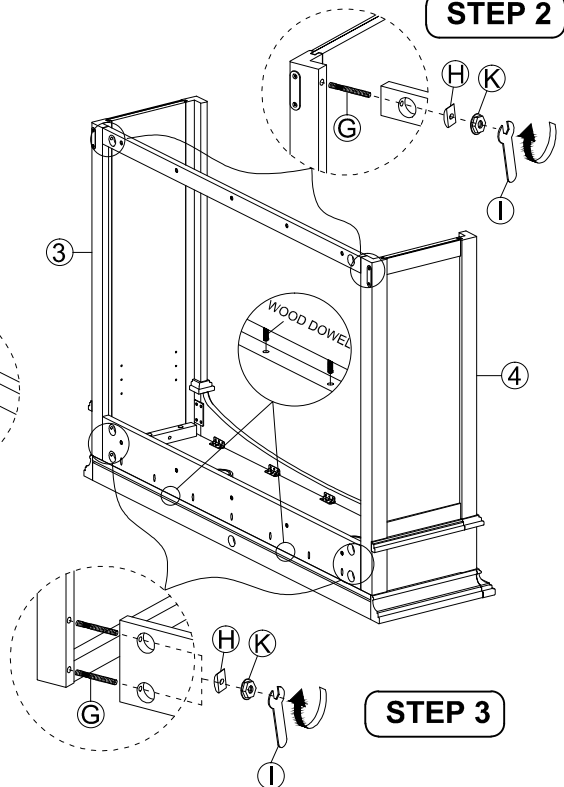
ASSEMBLY INSTRUCTION

DESCRIPTION : ENTERTAINMENT HUTCH
ENTERTAINMENT TV STAND
LEFT PIER
RIGHT PIER

STEP 1

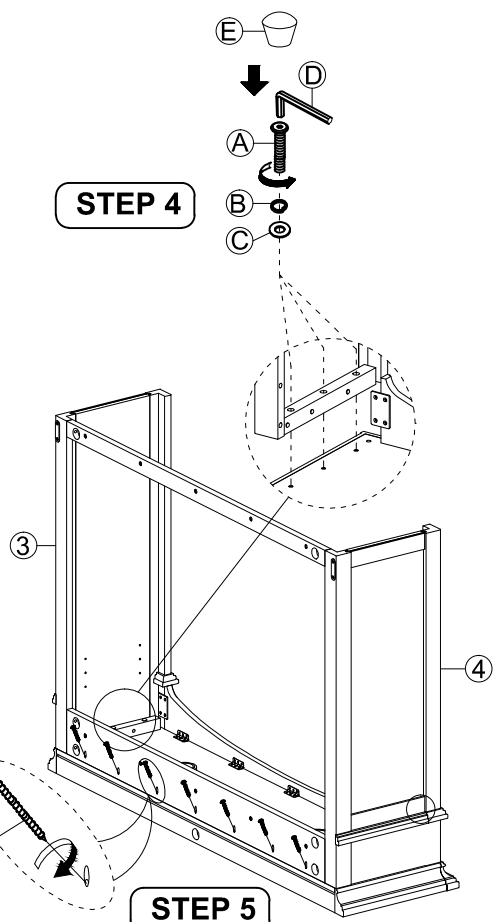


STEP 2

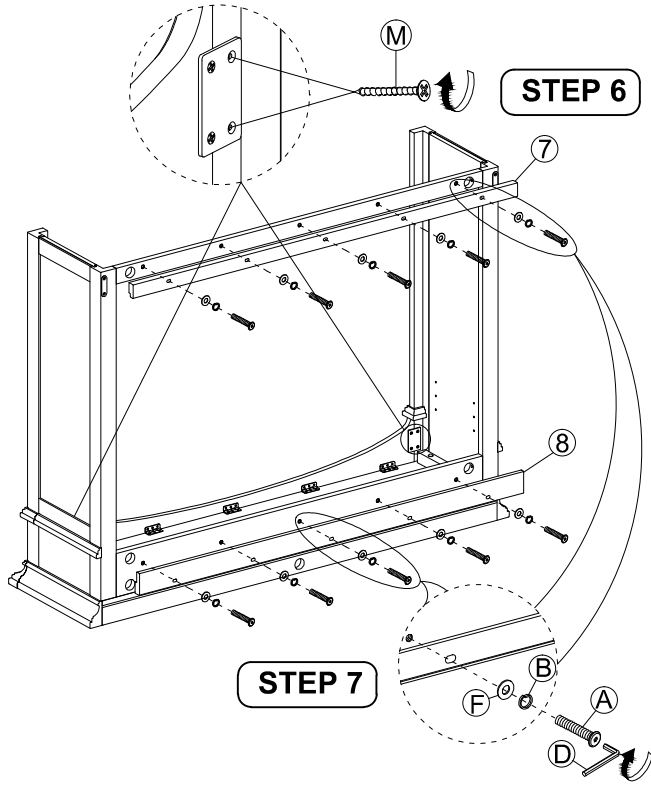


STEP 3

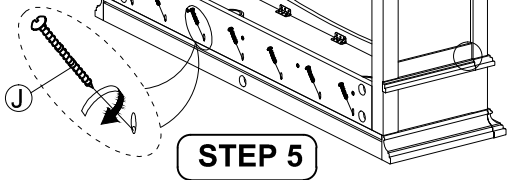
STEP 4



STEP 6



STEP 7

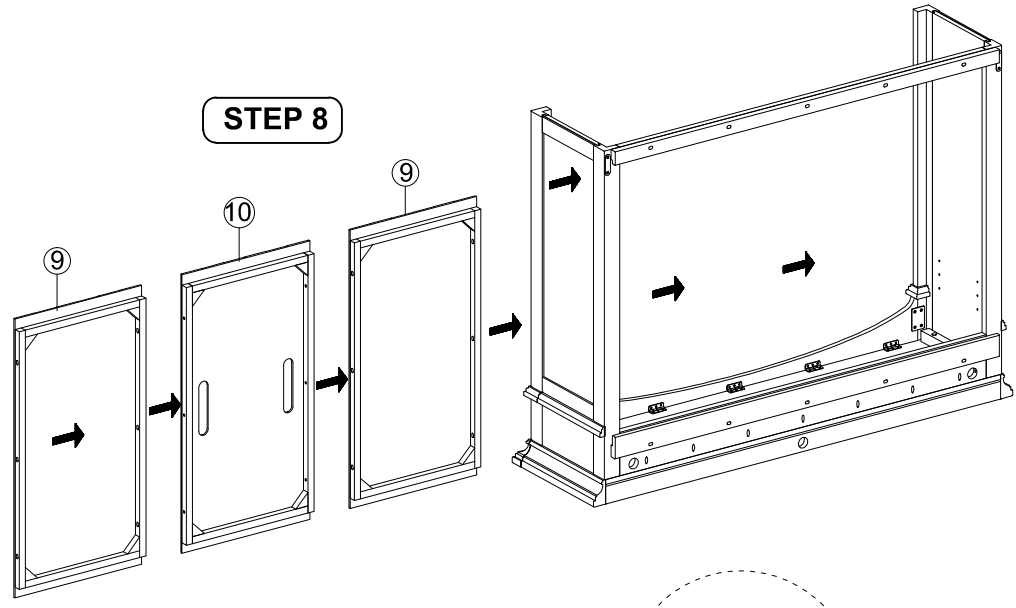


STEP 5

ASSEMBLY INSTRUCTION

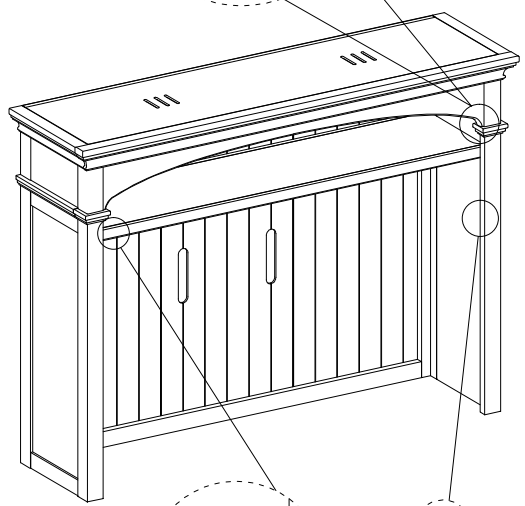
DESCRIPTION : ENTERTAINMENT HUTCH
ENTERTAINMENT TV STAND
LEFT PIER
RIGHT PIER

STEP 8



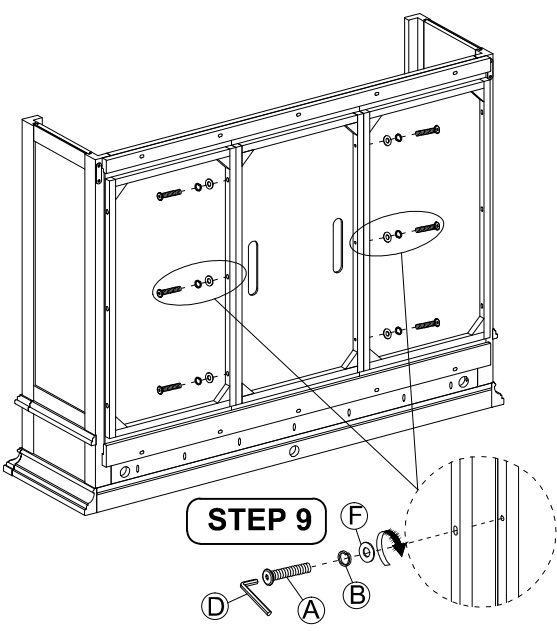
PLUG TO CONECT

STEP 11

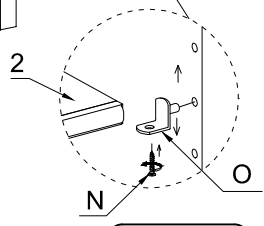


TOUCH SWITCH
TO CONTROL
THE LIGHT MODES

STEP 9



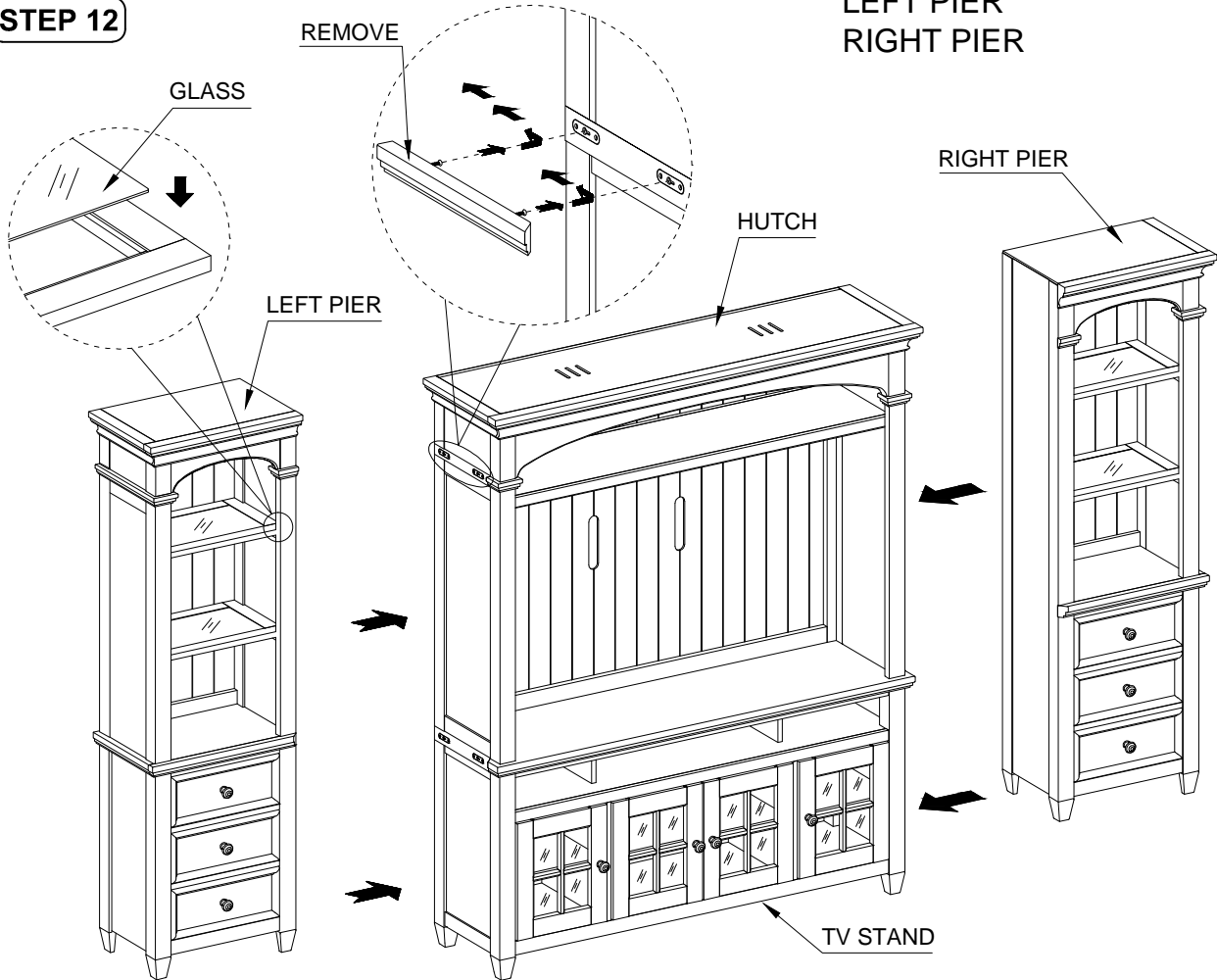
STEP 10



ASSEMBLY INSTRUCTION

DESCRIPTION : ENTERTAINMENT HUTCH
ENTERTAINMENT TV STAND
LEFT PIER
RIGHT PIER

STEP 12



STEP 13

