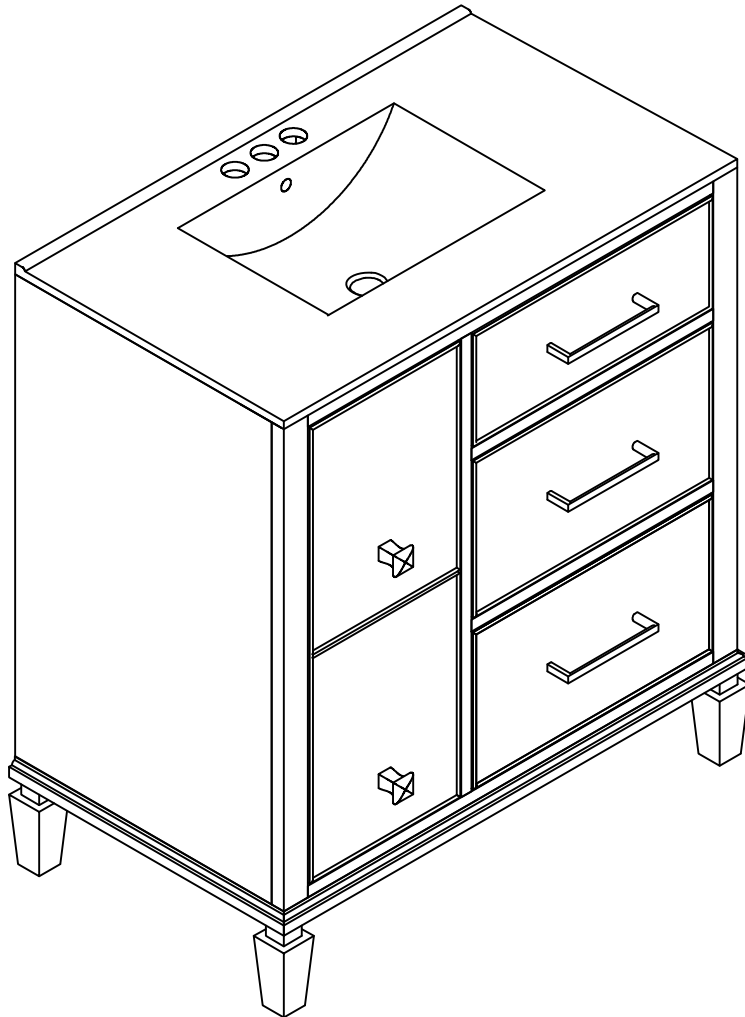


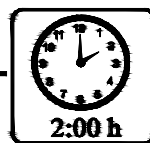
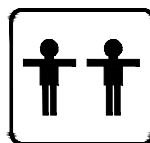
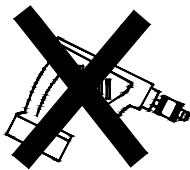
ASSEMBLY INSTRUCTIONS

30 INCH BATH VANITY (COMBO)

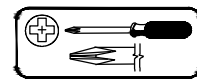


Thank you for purchasing this quality product. Be sure to check all packing material carefully for small parts which may have come loose inside the carton during shipment. Separate, identify and count all parts and hardware. Compare with the parts list to be sure all parts are present. "DO NOT TIGHTEN SCREWS UNTIL COMPLETELY ASSEMBLED"

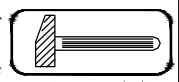
- * Use of power tool to assemble this product will invalidate any claim and damage this product making unsafe !!!
- * Please assemble on a clean soft surface to avoid damage.



Tools Required



(Not included)



(Not included)

IMPORTANT:

PLEASE READ INSTRUCTION BEFORE STARTING THE ASSEMBLY

Thank you for buying our products.

Please read the installation manual carefully before installation,

we need you to follow the instructions on the accessories and hardware

step by step assembly complete, our instructions are very detailed.

Products are environmentally friendly products,

Please rest assured that you do not soak in water, do not place very heavy items,

do not malicious push and pull,

if you have any problems in the process of assembly and use, please contact us.

Thank you again for your purchase of our products,

I wish you a happy life.

Before Installation

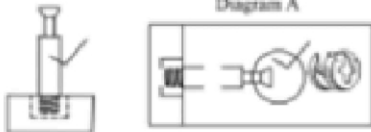
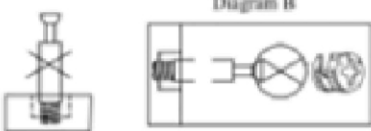
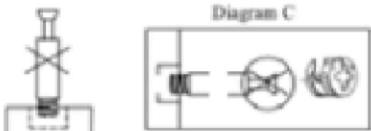
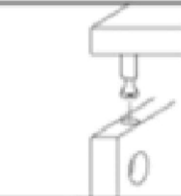
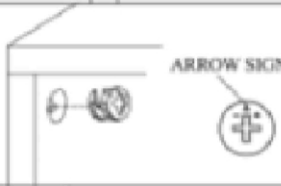
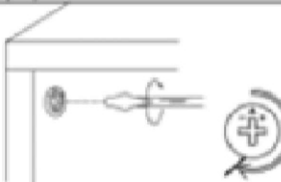
Important - Please read these instructions fully before starting assembly

Thank you for purchasing this quality product. Be sure to check all packing materials carefully for small parts, which may have come loose inside the carton during shipment. Identify and count all items according to the PARTS LIST and/or HARDWARE LIST shown below. Check you have all the components and tools listed on the following pages.

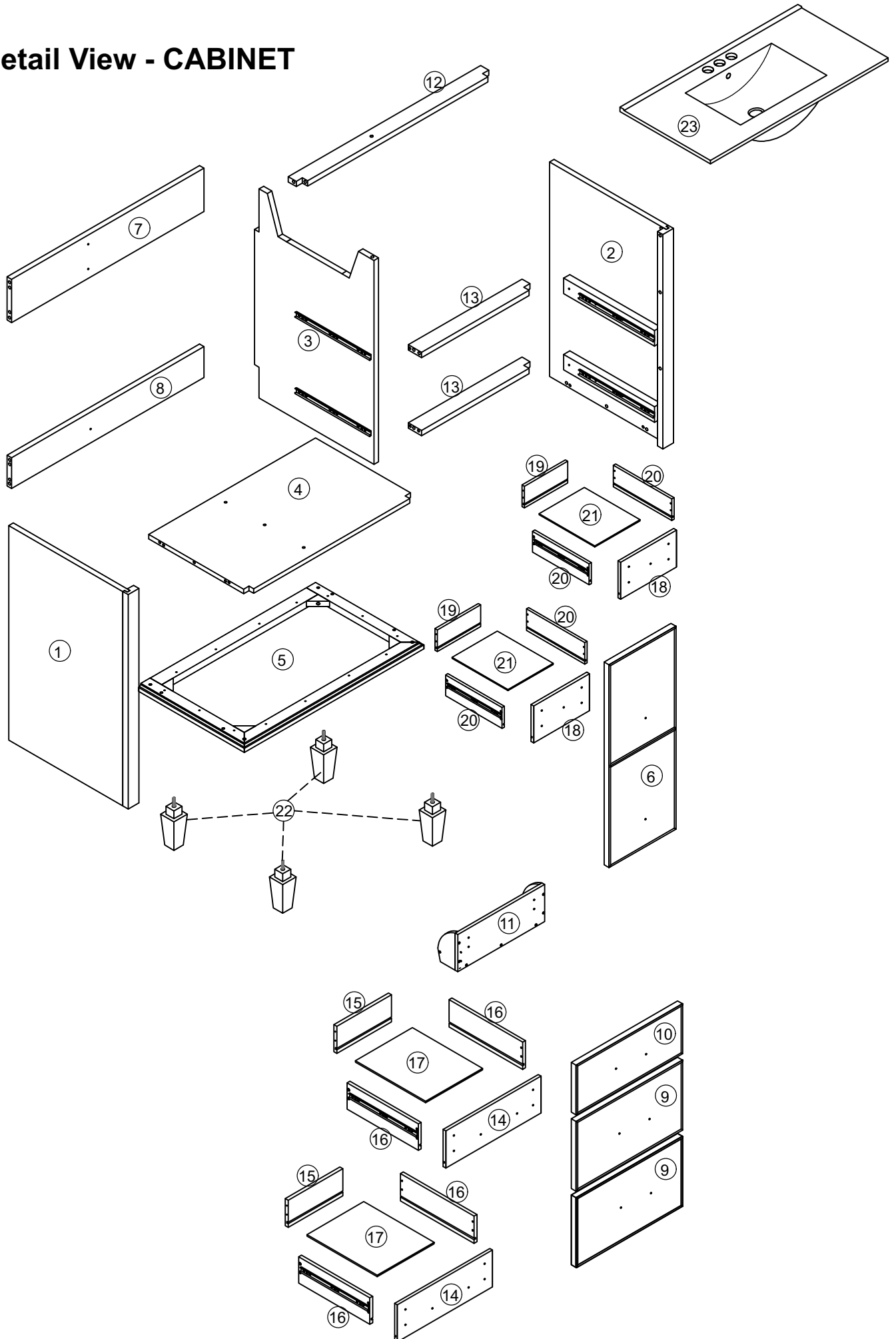
- . We recommend that you assemble this product with the assistance of another person; this will make the assembly easier, and will help eliminate damage to the product or injury to persons during assembly.
- . Please do not over tighten screws or bolts until the assembly is completed.
- . Keep children and animal away from the work area, small parts could choke if swallowed.
- . Please put all parts on a non-abrasive floor before assembly, and follow the assembly steps to assemble your newly purchased product correctly and efficiently.

If you find that you have any trouble with assembly or missing or damaged parts please contact the seller.

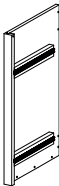
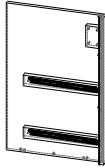
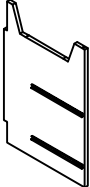
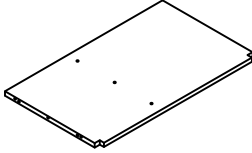
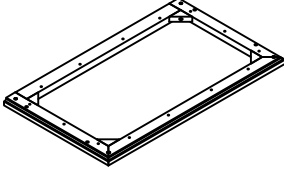

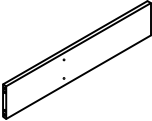
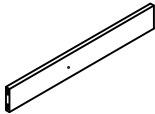
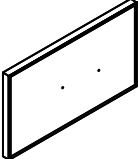
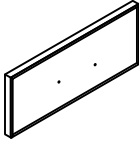
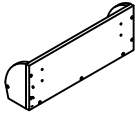
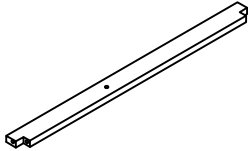
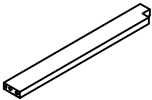
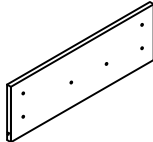
Cam Lock Assembly Instructions

	<p>Diagram A</p>	<p>Insert Cam Bolt into hole as shown in diagram A.</p>
	<p>Diagram B</p>	<p>Make sure not to insert the Cam Bolt: Too deep as shown in figure B as this will cause the Cam Lock to be misaligned and unable to interlock properly.</p>
	<p>Diagram C</p>	<p>Also avoid inserting the Cam Bolt too close to the surface of the hole as shown in figure C, as this will cause the Cam Lock to be too loose, and not interlock properly.</p>
		<p>Connect the panels together.</p>
	<p>ARROW SIGN</p>	<p>Insert the Cam Lock so the side opening fits over the head of the Cam Bolt.</p>
		<p>To tighten the Cam Lock, turn it clockwise on half a turn with a flat screwdriver. <i>*Do not use an automatic screwdriver as it may bend or break if too much power is imposed.</i></p>

Detail View - CABINET

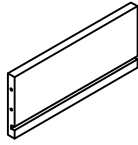


Part List

<p>1</p>  <p>Left side panel- 1 pc</p>	<p>2</p>  <p>Right side panel -1 pc</p>
<p>3</p>  <p>Partition panel - 1 pc</p>	<p>4</p>  <p>Bottom board - 1 pc</p>
<p>5</p>  <p>Bottom frame - 1 pc</p>	<p>6</p>  <p></p>
<p>7</p>  <p>Left top bar rear - 1 pc</p>	<p>8</p>  <p>Left bottom bar rear - 1 pc</p>
<p>9</p>  <p>Single drawer face-2pcs</p>	<p>10</p>  <p>Tilt storage face with metal handle - 1 pc</p>
<p>11</p>  <p>Tilt storage - 1 pc</p>	<p>12</p>  <p>Right upper bar rear - 1 pc</p>
<p>13</p>  <p>Right lower bar rear - 2 pcs</p>	<p>14</p>  <p>Single drawer front board -2pcs</p>

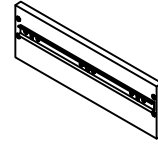
Part List

15



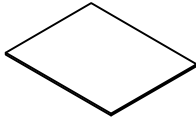
Single drawer back board-2pcs

16



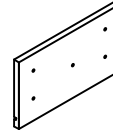
Single drawer side board - 4 pcs

17



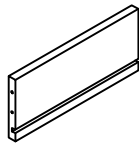
Single drawer bottom board - 2 pcs

18



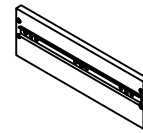
Double drawer front board- 2pcs

19



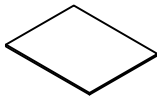
Double drawer back board-2pcs

20



Double drawer side panel - 4 pcs

21



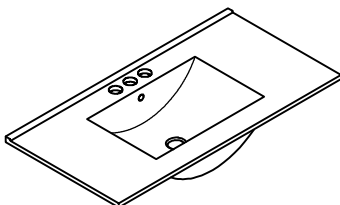
Double drawer bottom board - 2 pcs

22




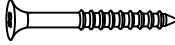
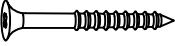
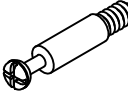


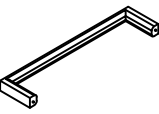

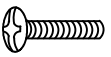
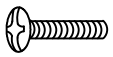
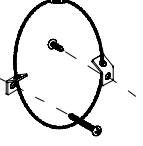
Cabinet legs - 4 pcs

23

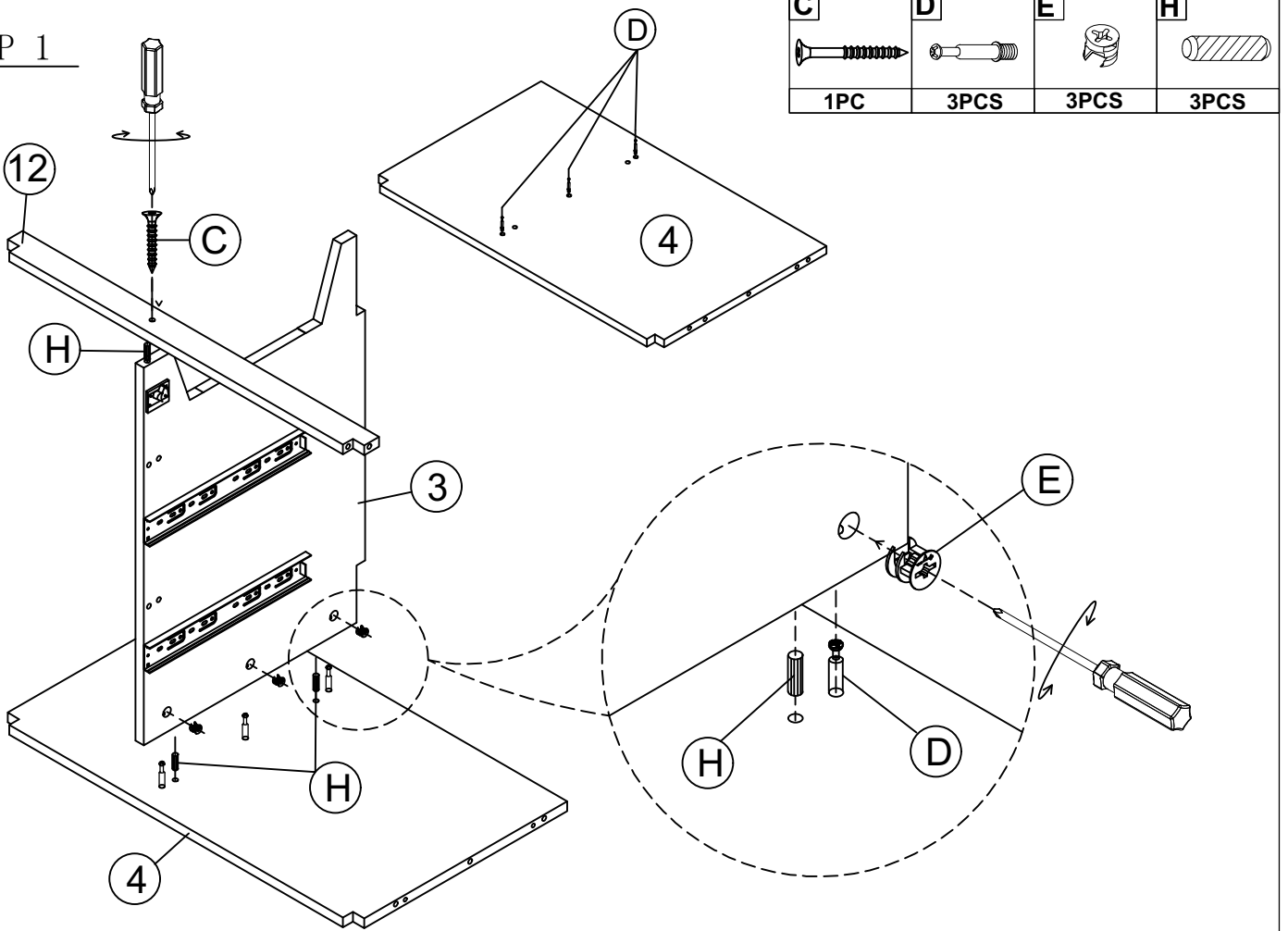


Sink - 1 pc

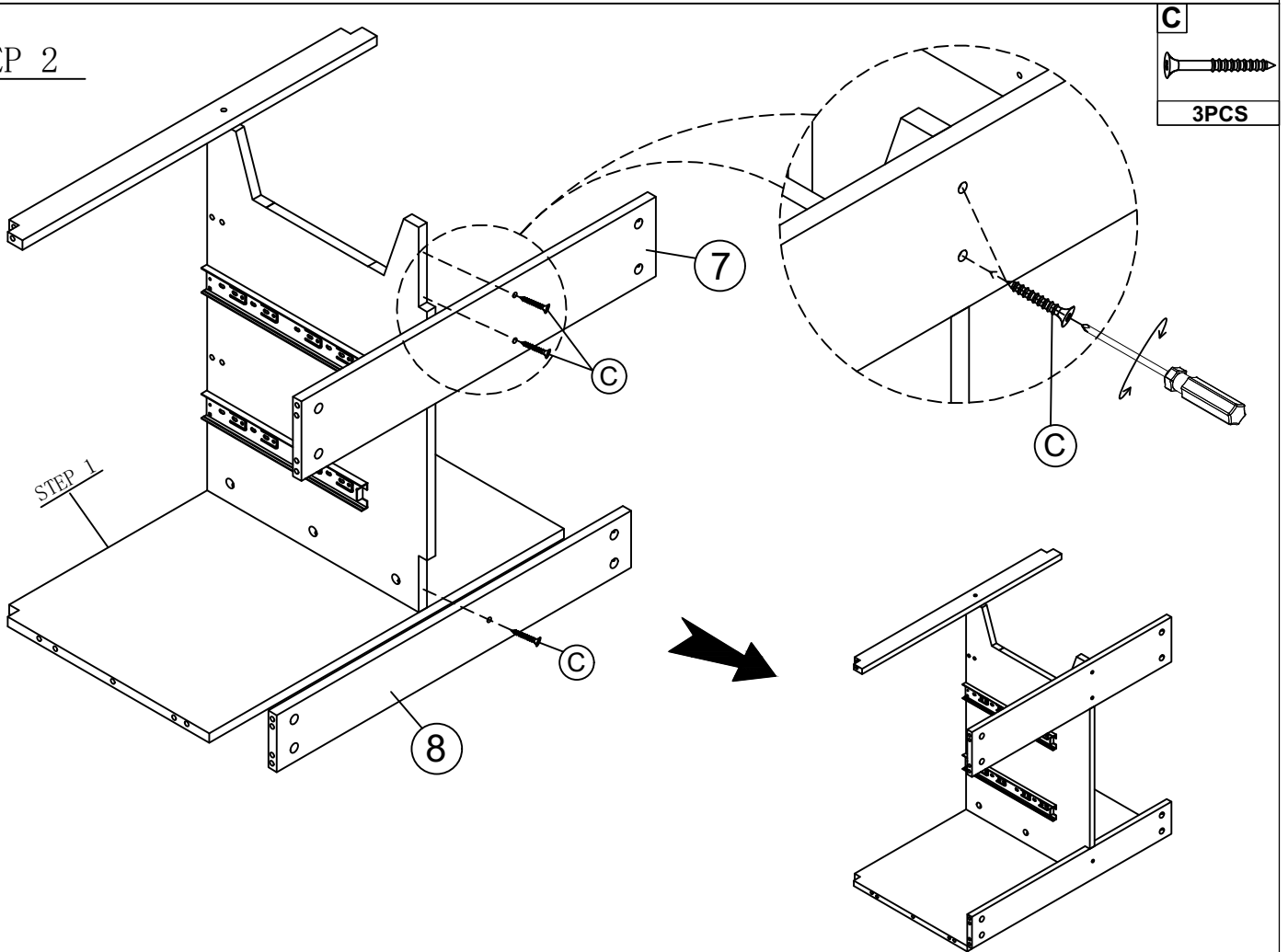
Hardware List

<p>A</p>  <p>Screw (Ø4*15mm) = 4 pcs</p>	<p>B</p>  <p>Screw (Ø4*25mm) = 52 pcs</p>
<p>C</p>  <p>Screw (Ø4*35mm) = 18 pcs</p>	<p>D</p>  <p>Three in one bolts (Ø6*35 mm) = 23 pcs</p>
<p>E</p>  <p>Three in one lok (Ø14.5*12 mm) = 23 pcs</p>	<p>F</p>  <p>Square drawer handles = 2 pcs</p>
<p>G</p>  <p>Long drawer handle = 3 pcs</p>	<p>H</p>  <p>Wood dowel (Ø8*30 mm) = 27 pcs</p>
<p>K</p>  <p>Handle screw (Ø₃₂⁵*35 mm) = 7 pcs</p>	<p>L</p>  <p>Handle screw (Ø₃₂⁵*25 mm) = 1 pc</p>
<p>M</p>  <p>Tipover restraints = 2 sets</p>	

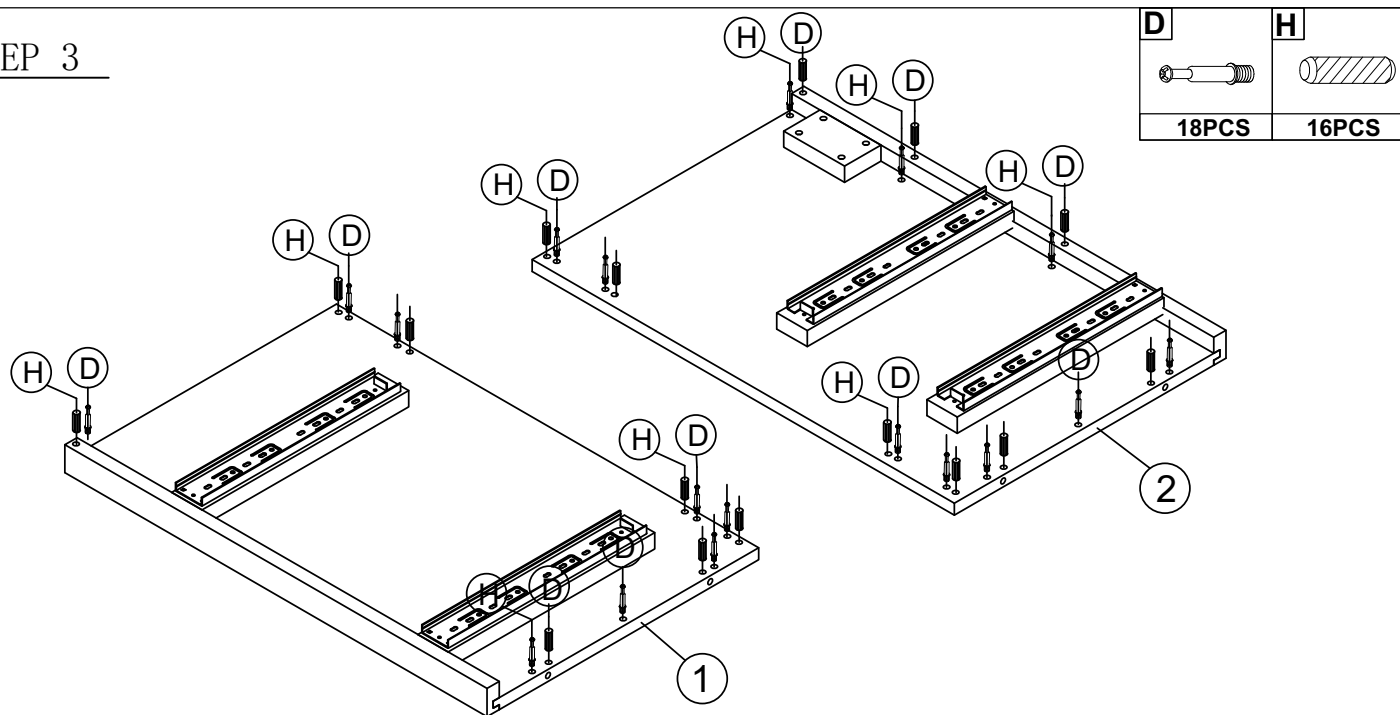
STEP 1



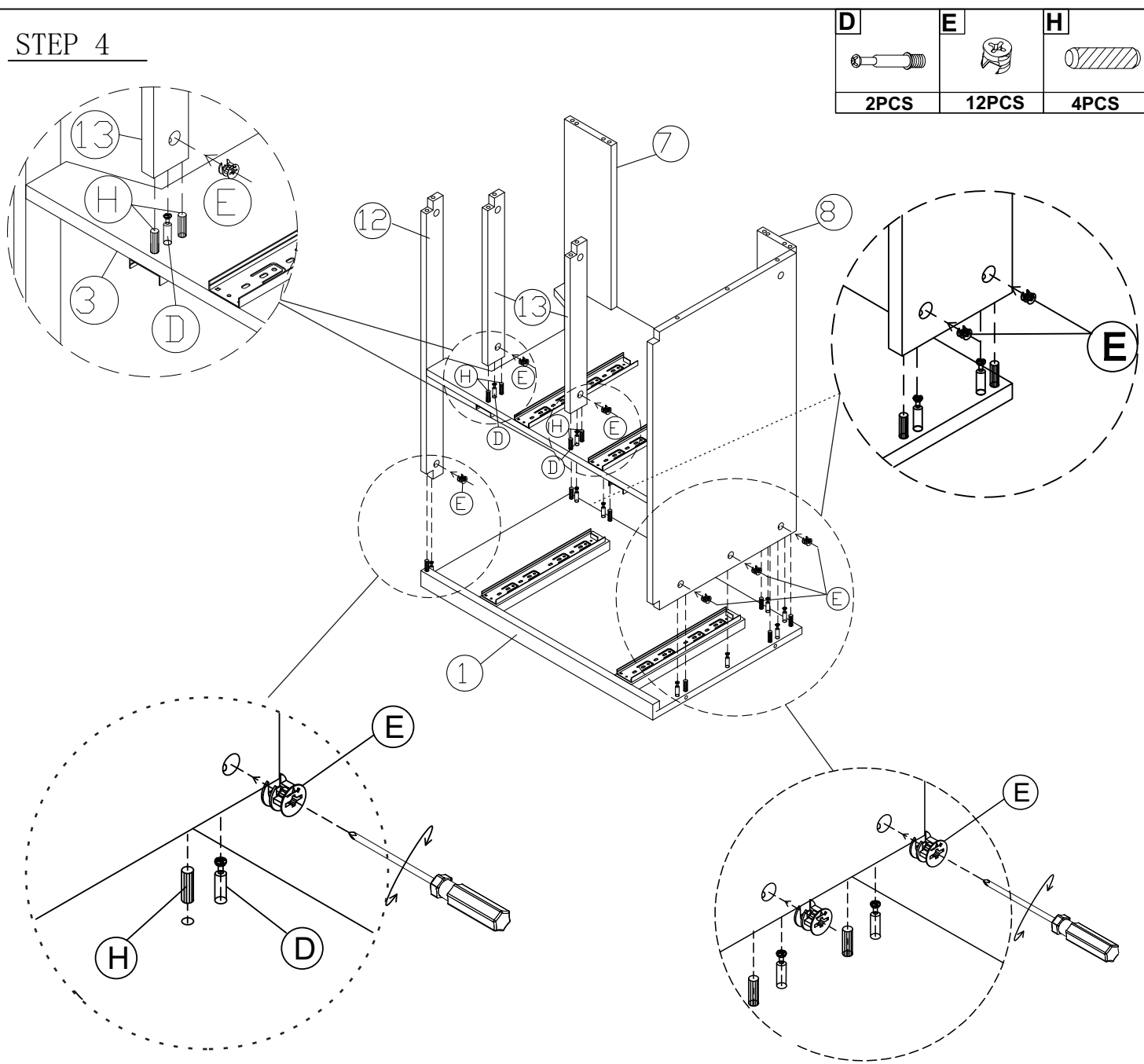
STEP 2



STEP 3

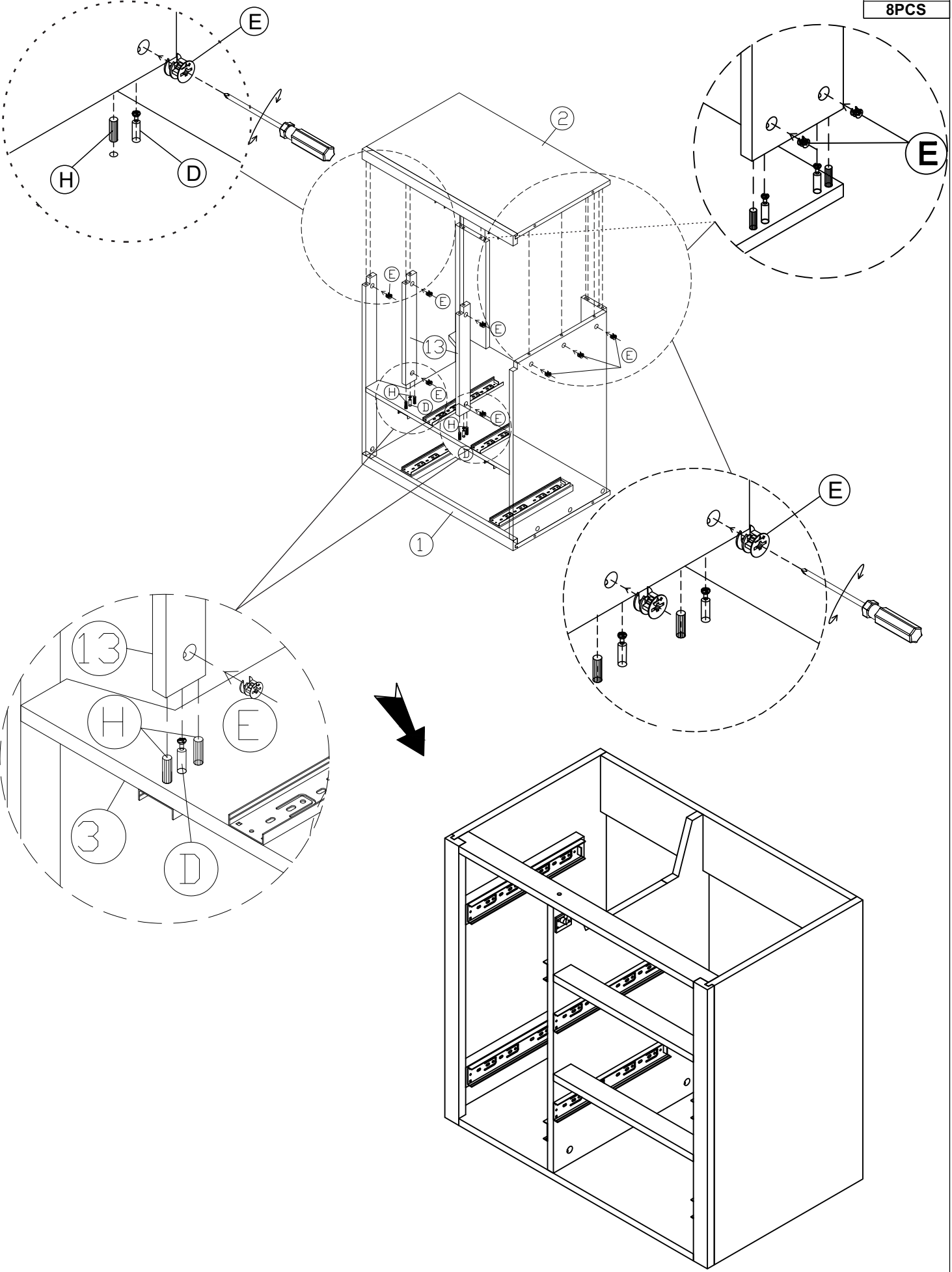


STEP 4

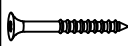
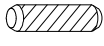


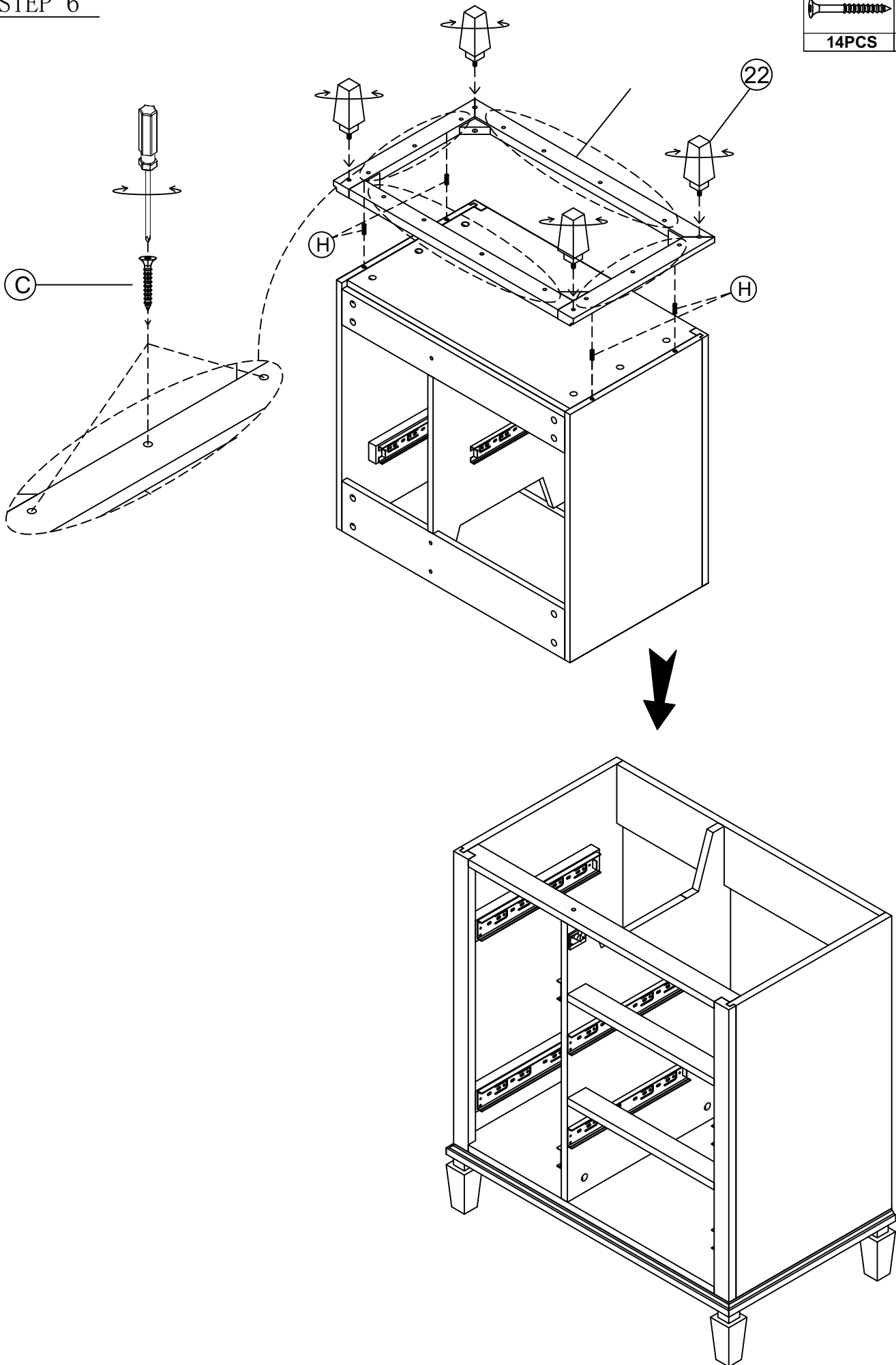
STEP 5

E
8PCS

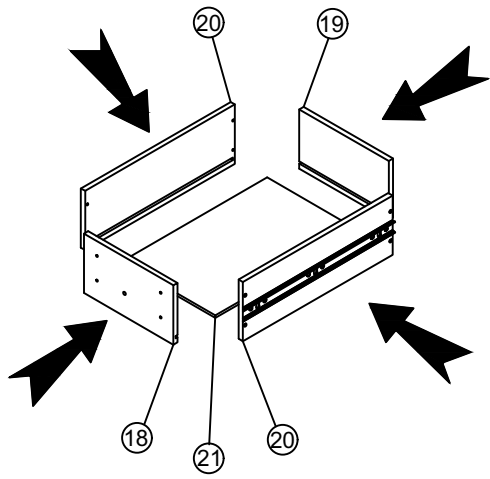


STEP 6

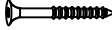
C	H
	
14PCS	4PCS



STEP 7

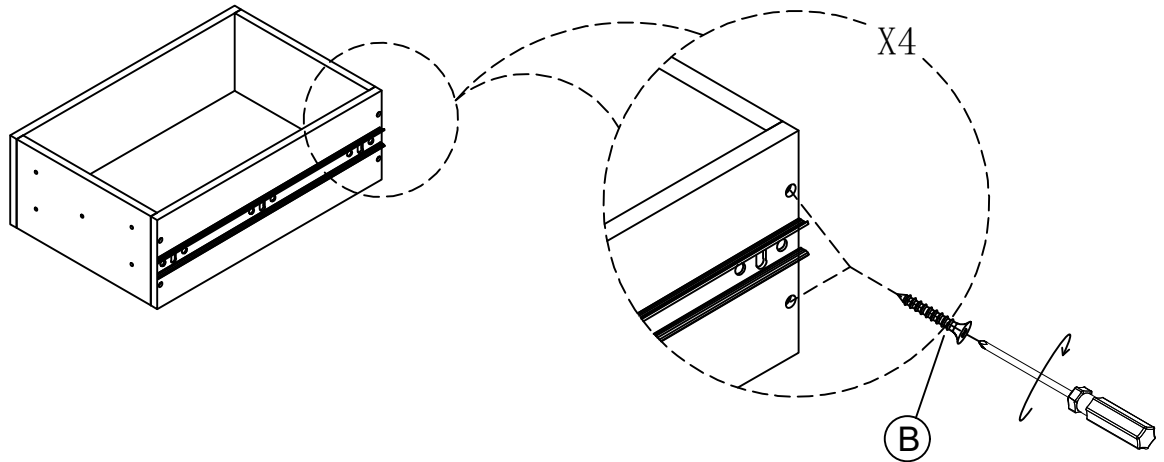


B

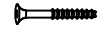





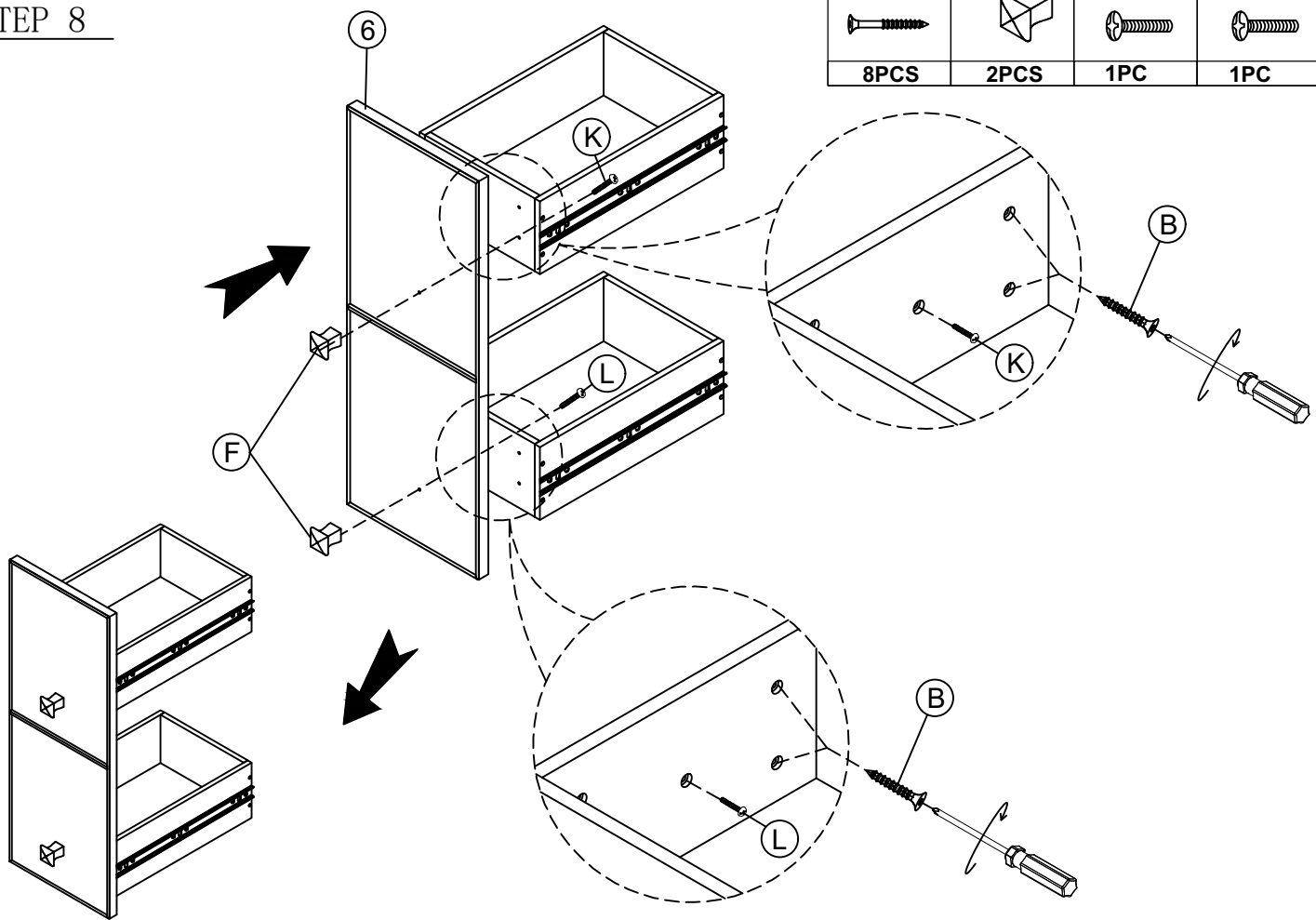
16PCS

X2

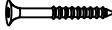


STEP 8

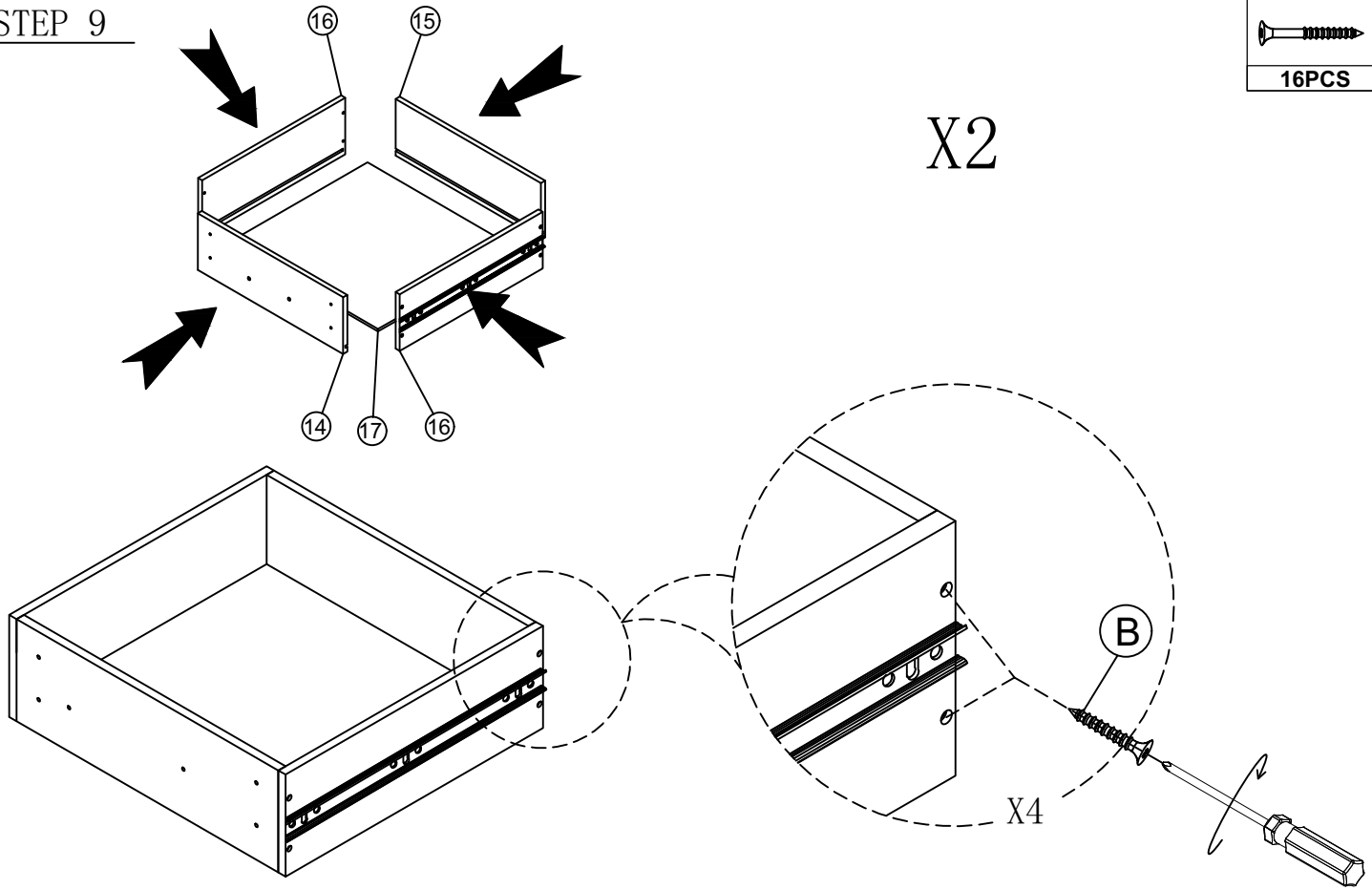
B	F	K	L
			
8PCS	2PCS	1PC	1PC



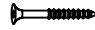
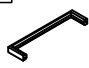
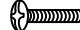
STEP 9

B

16PCS

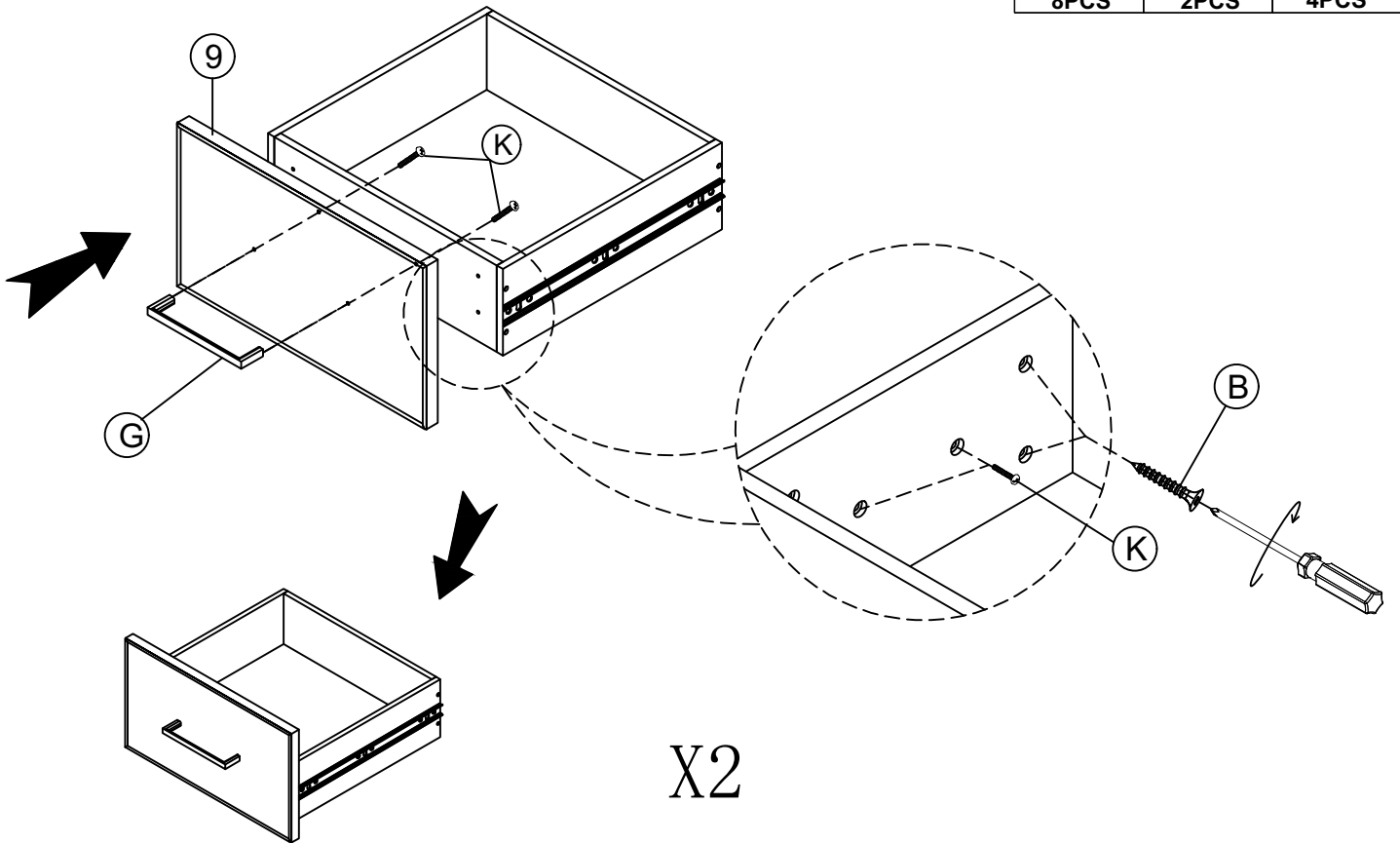
X2





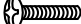
STEP 10

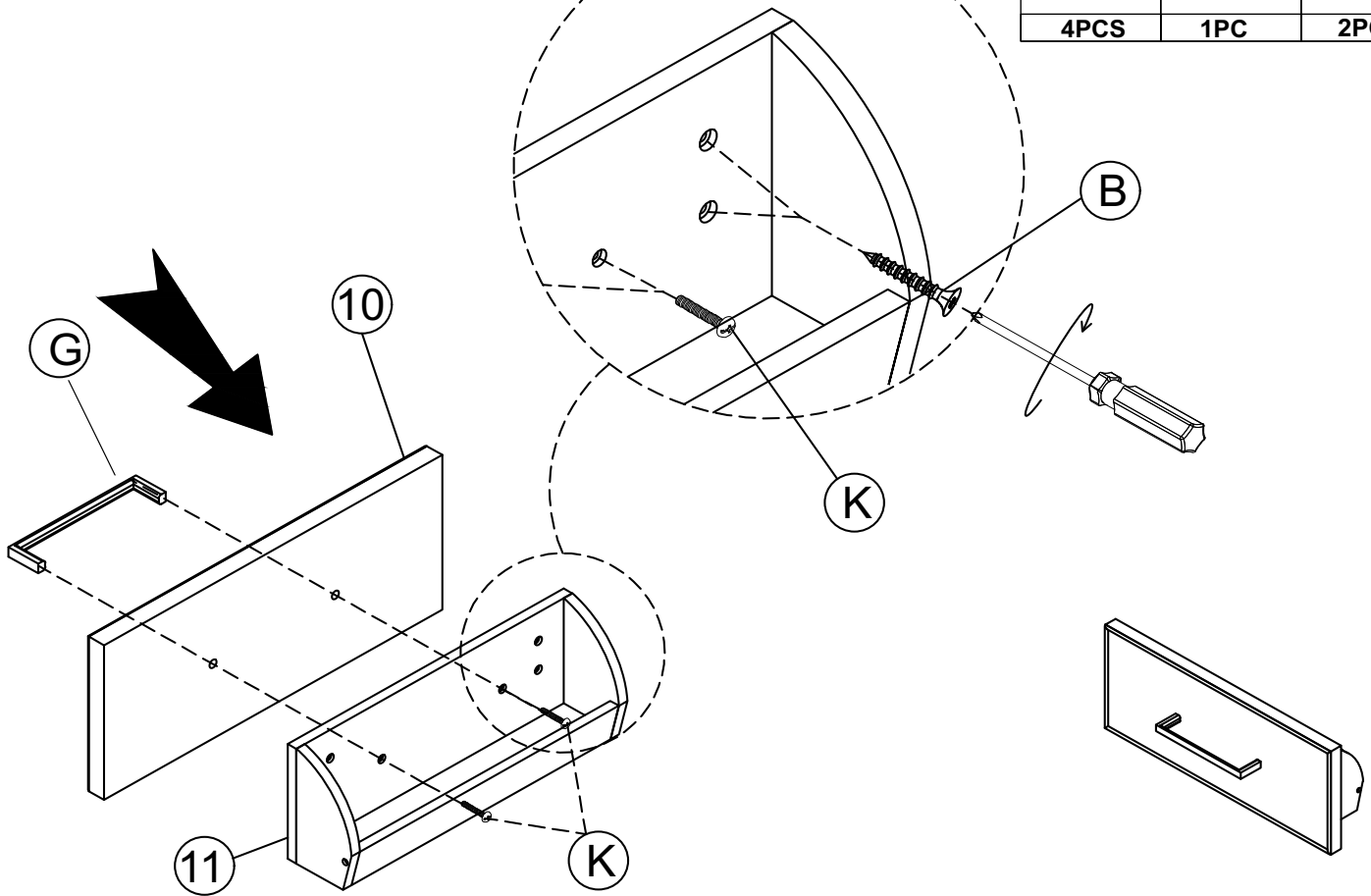
B	G	K
		
8PCS	2PCS	4PCS

X2




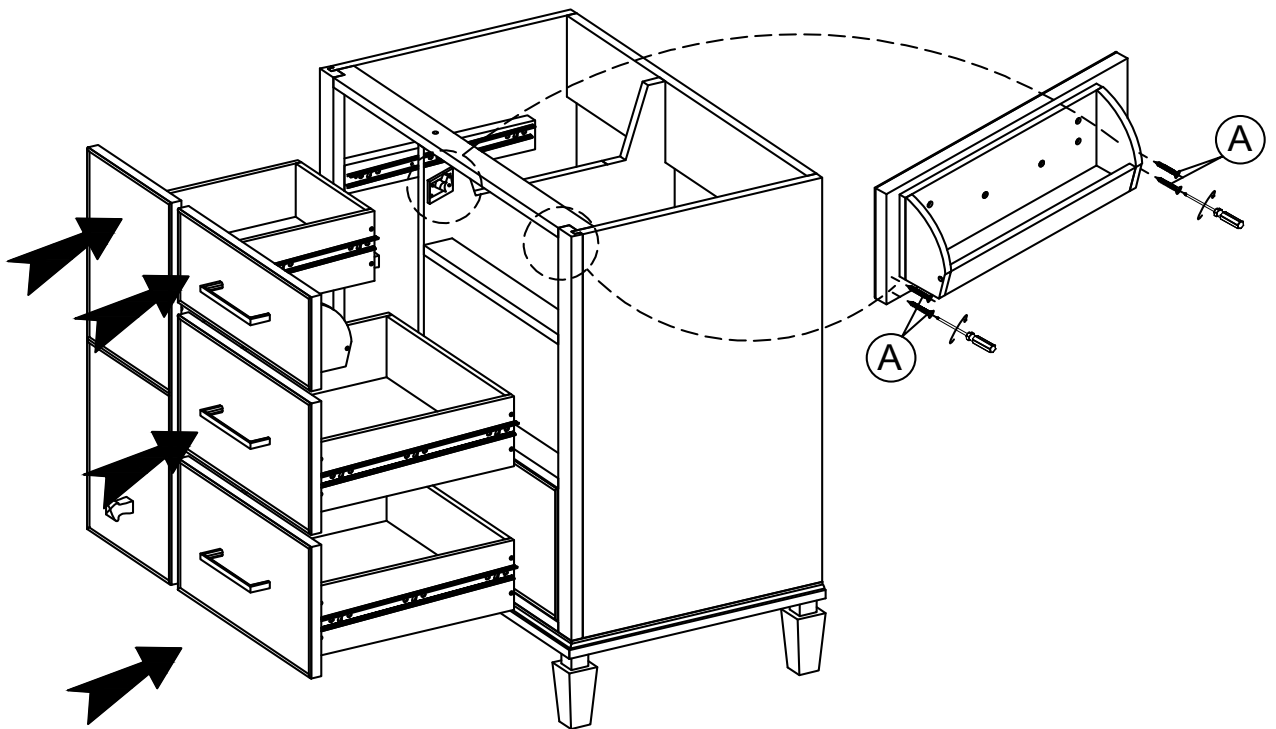
STEP 11

B 	G 	K 
4PCS	1PC	2PCS

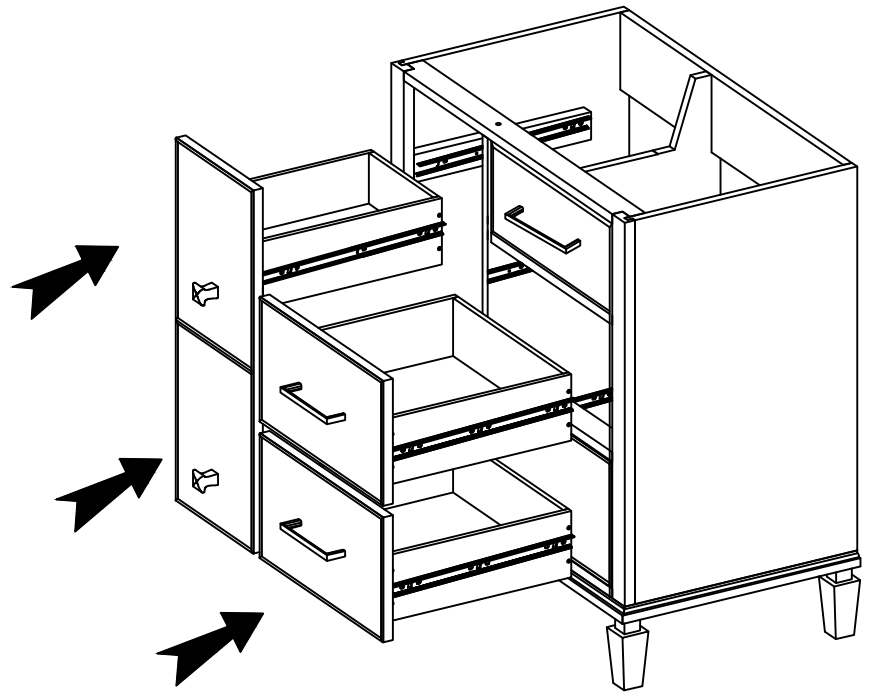
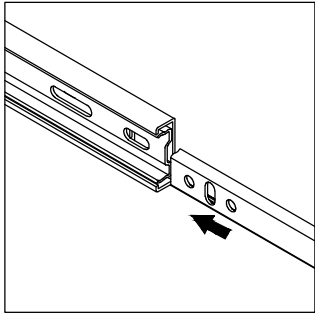


STEP 12

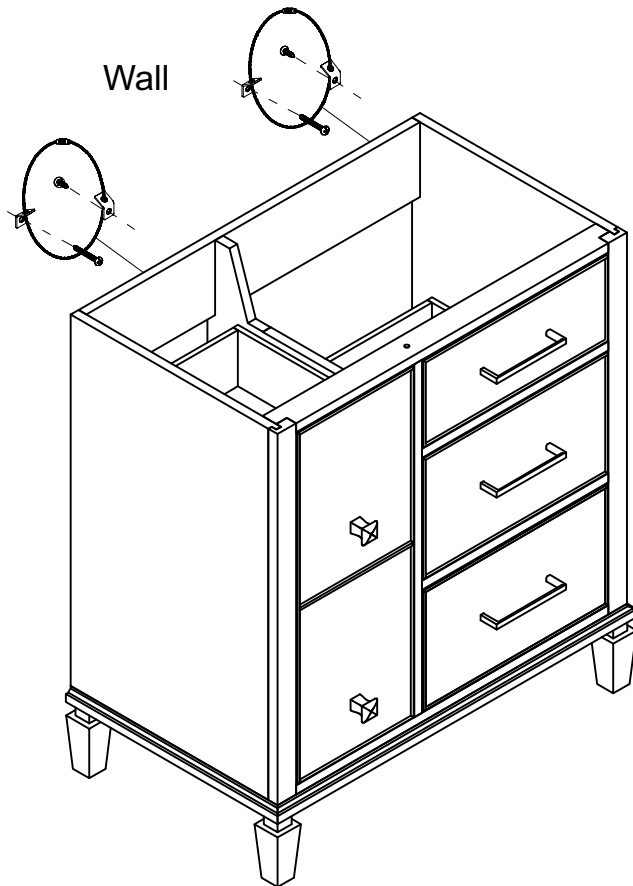
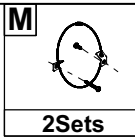
A 
4PCS



STEP 13

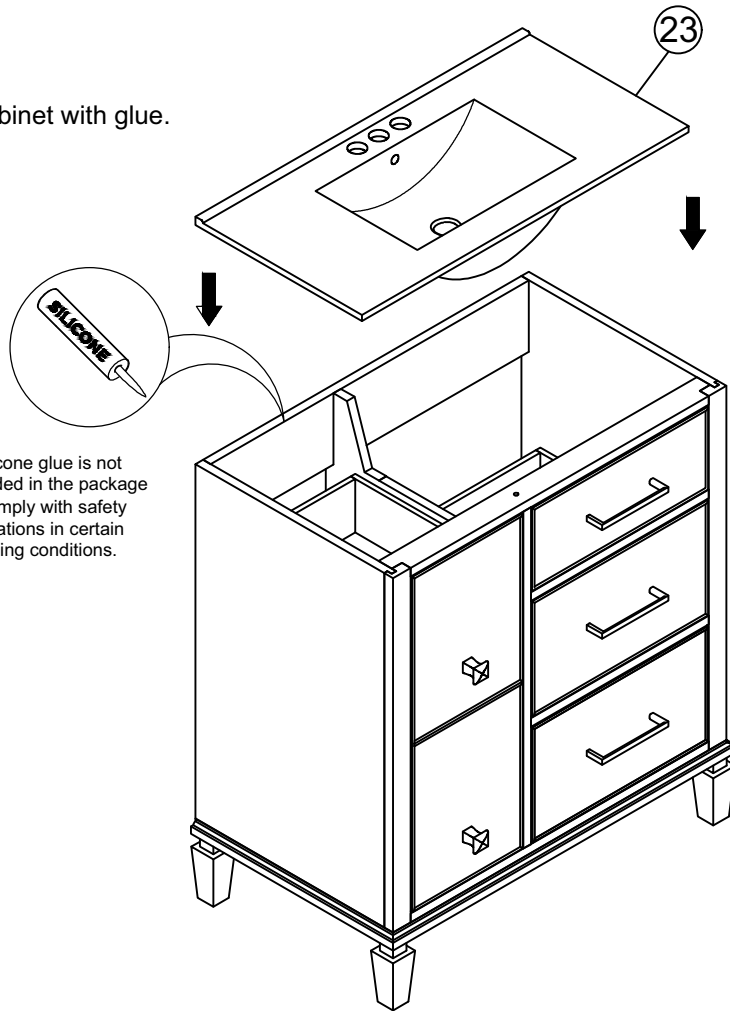


STEP 14



STEP 15

Install the sink on the cabinet with glue.
Let stand for 24 hours



STEP 16

