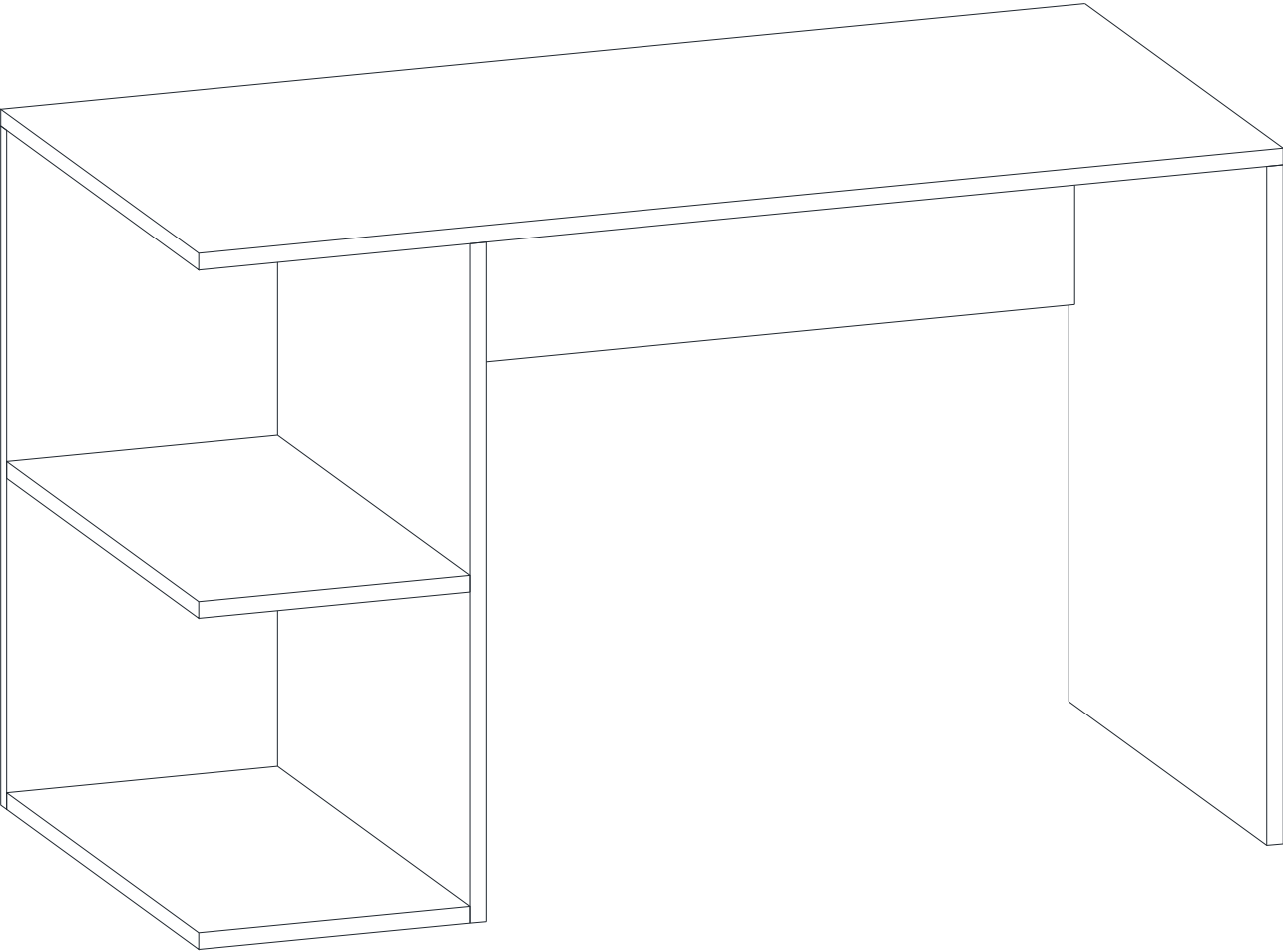
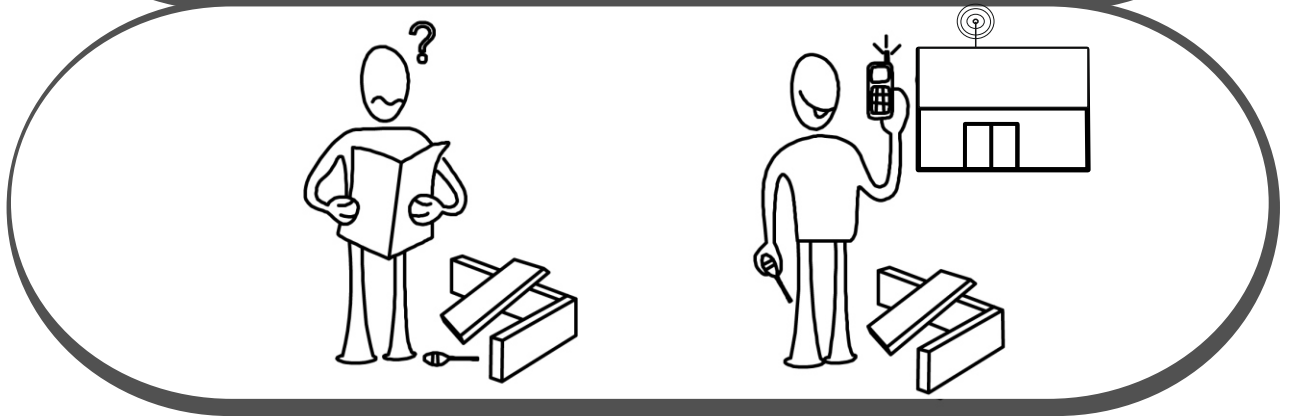
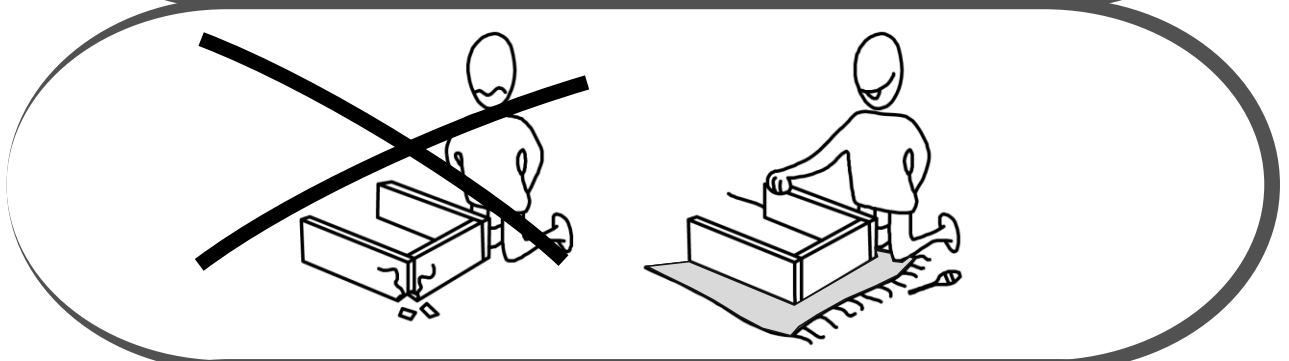
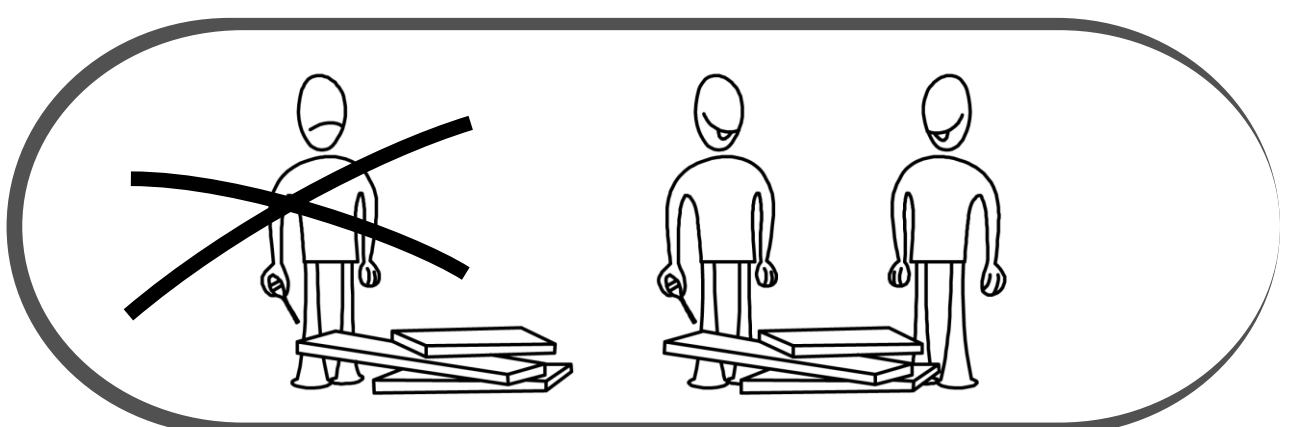


---

# ASSEMBLY MANUAL

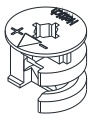




# ATTENTION!!

Minifix is the main connection material used in our products. Before starting assembly, please check the drawings below...

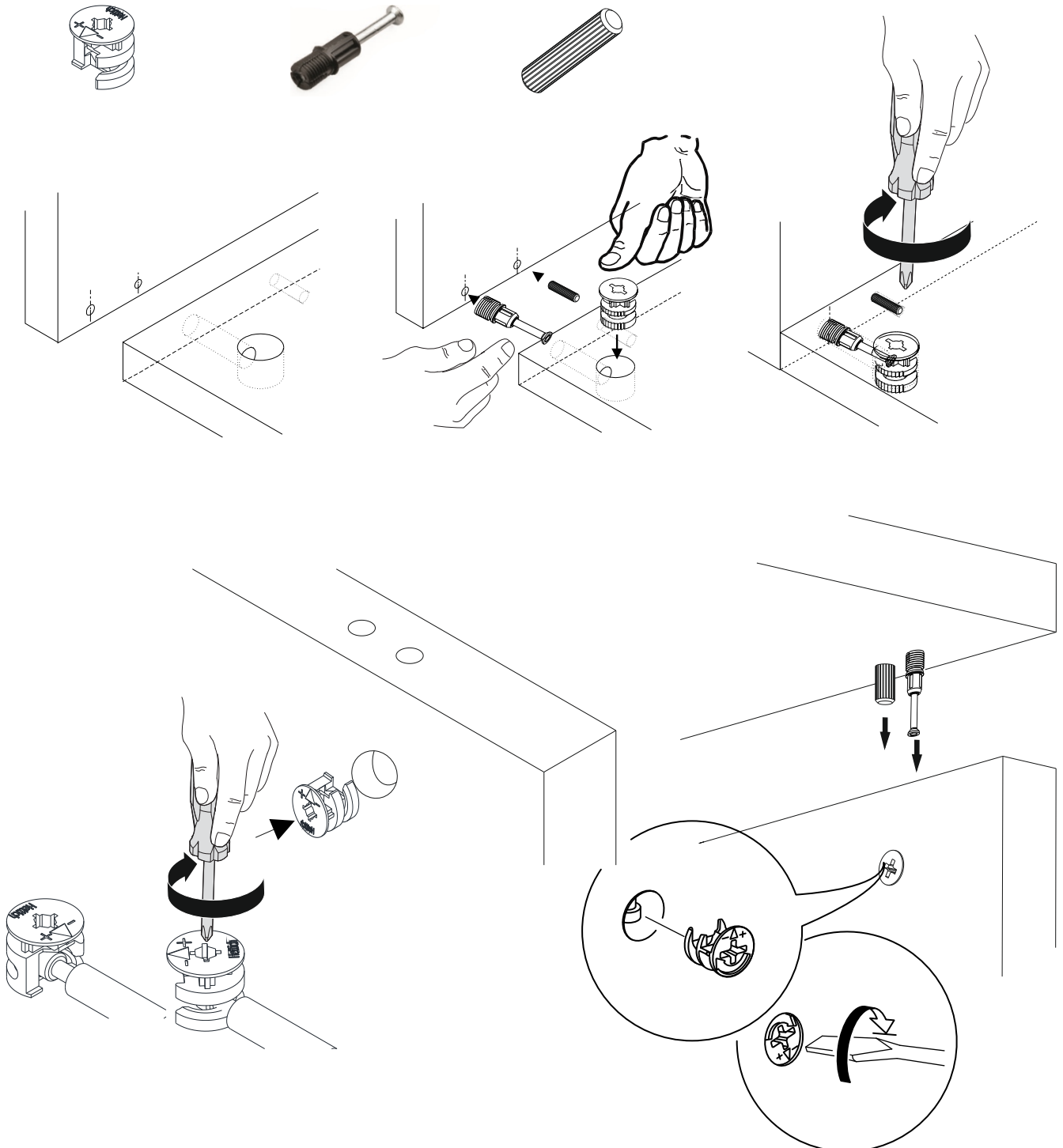
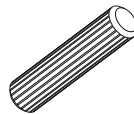
Minifix Body



Minifix



Dowel




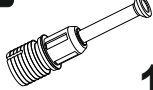






This unit should be assembled by two persons.

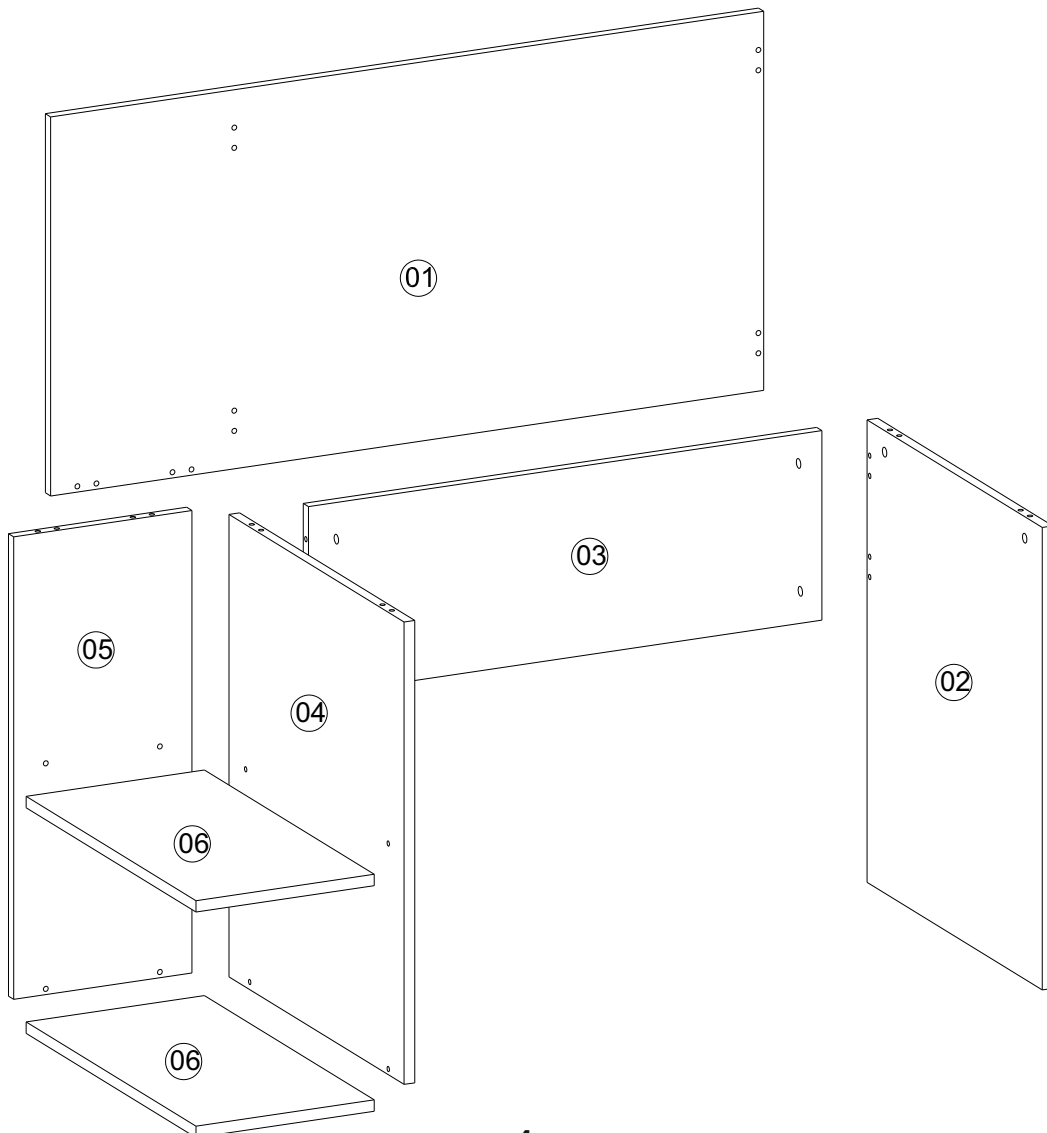


## ACCESSORY LIST

The necessary tools (not included)

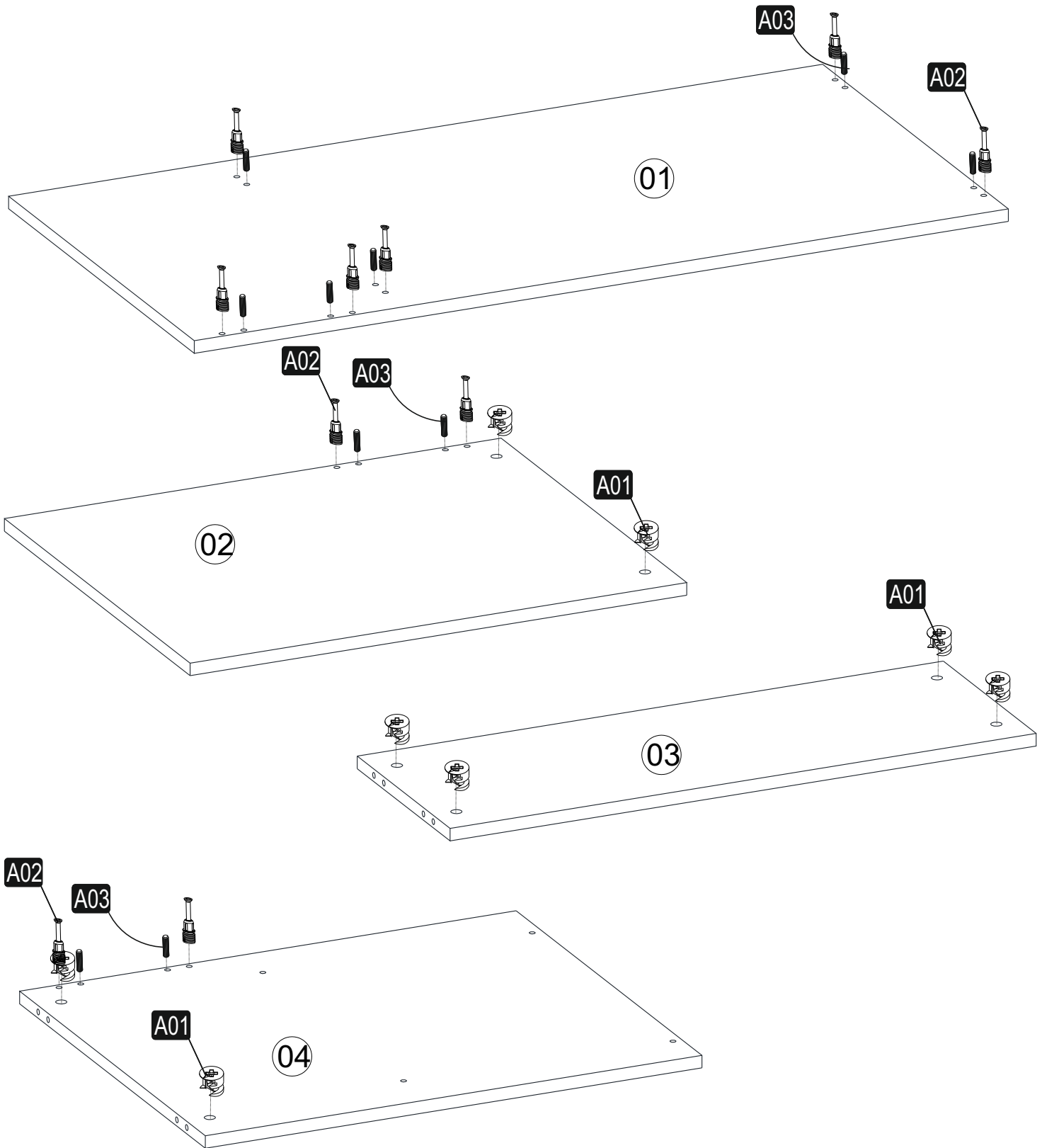
<b>A01</b>  <b>10x</b>	<b>A02</b>  <b>10x</b>	<b>A03</b>  <b>10x</b>	<b>A04</b>  A <b>6x</b> D <b>4x</b>	<b>A09</b>  4x50 YHB <b>8x</b>
				<b>A16</b>  D <b>8x</b>

## GENERAL VIEW

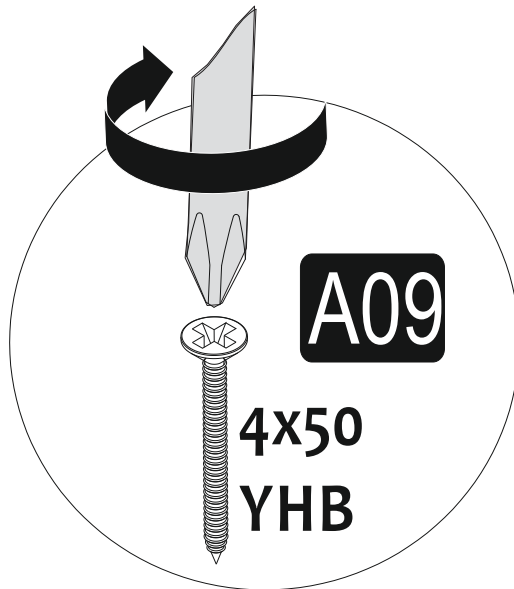
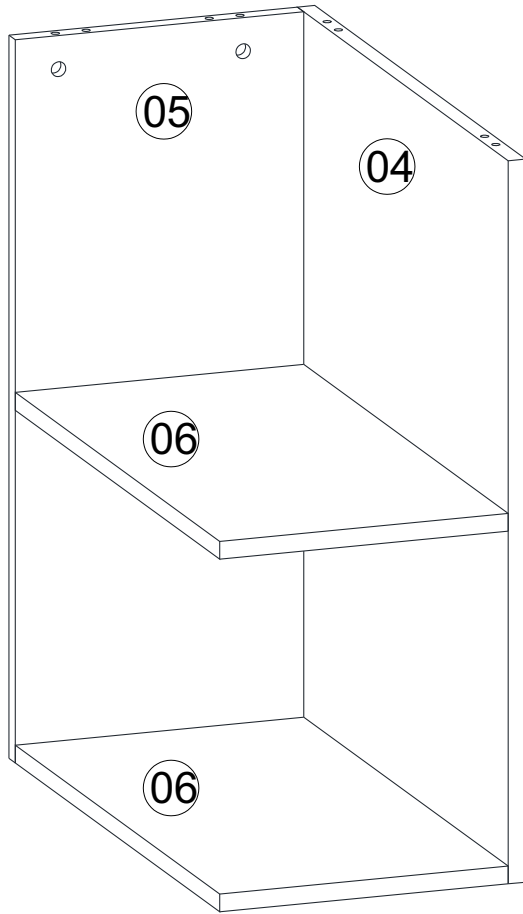


# ASSEMBLY MANUAL

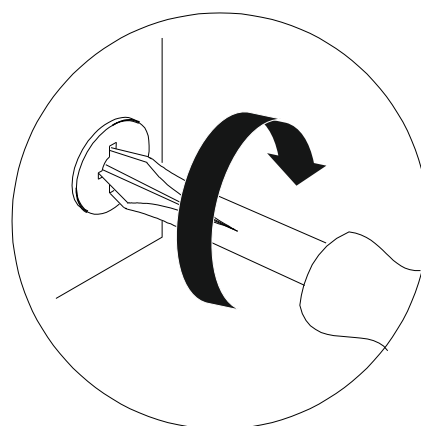
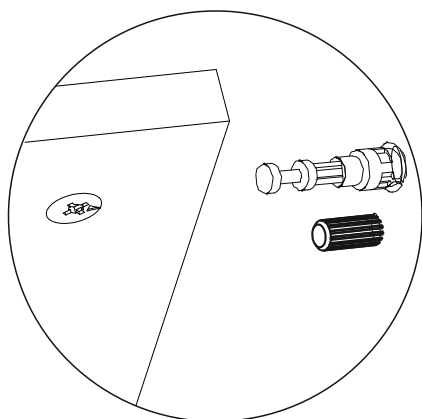
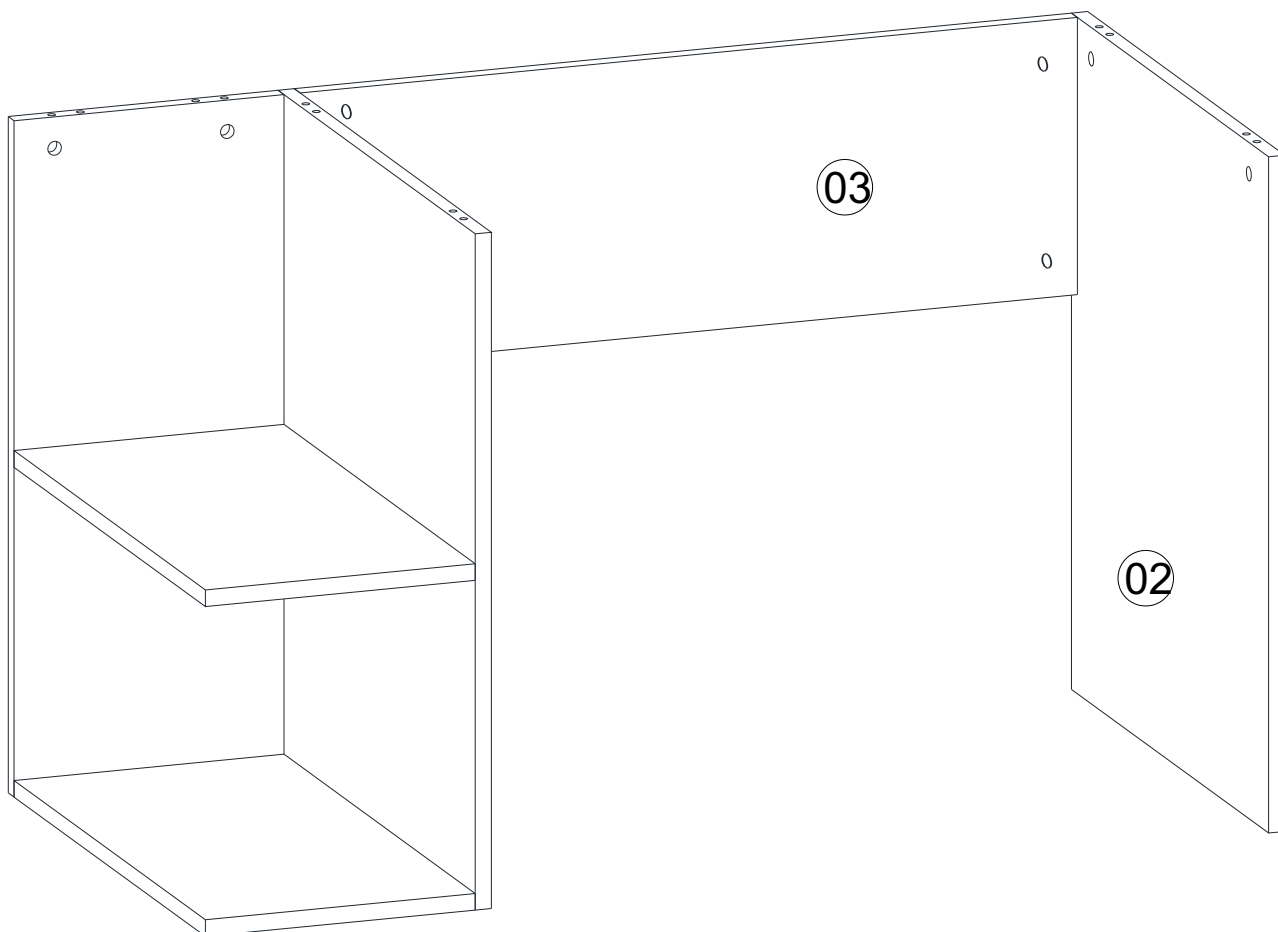
# 1

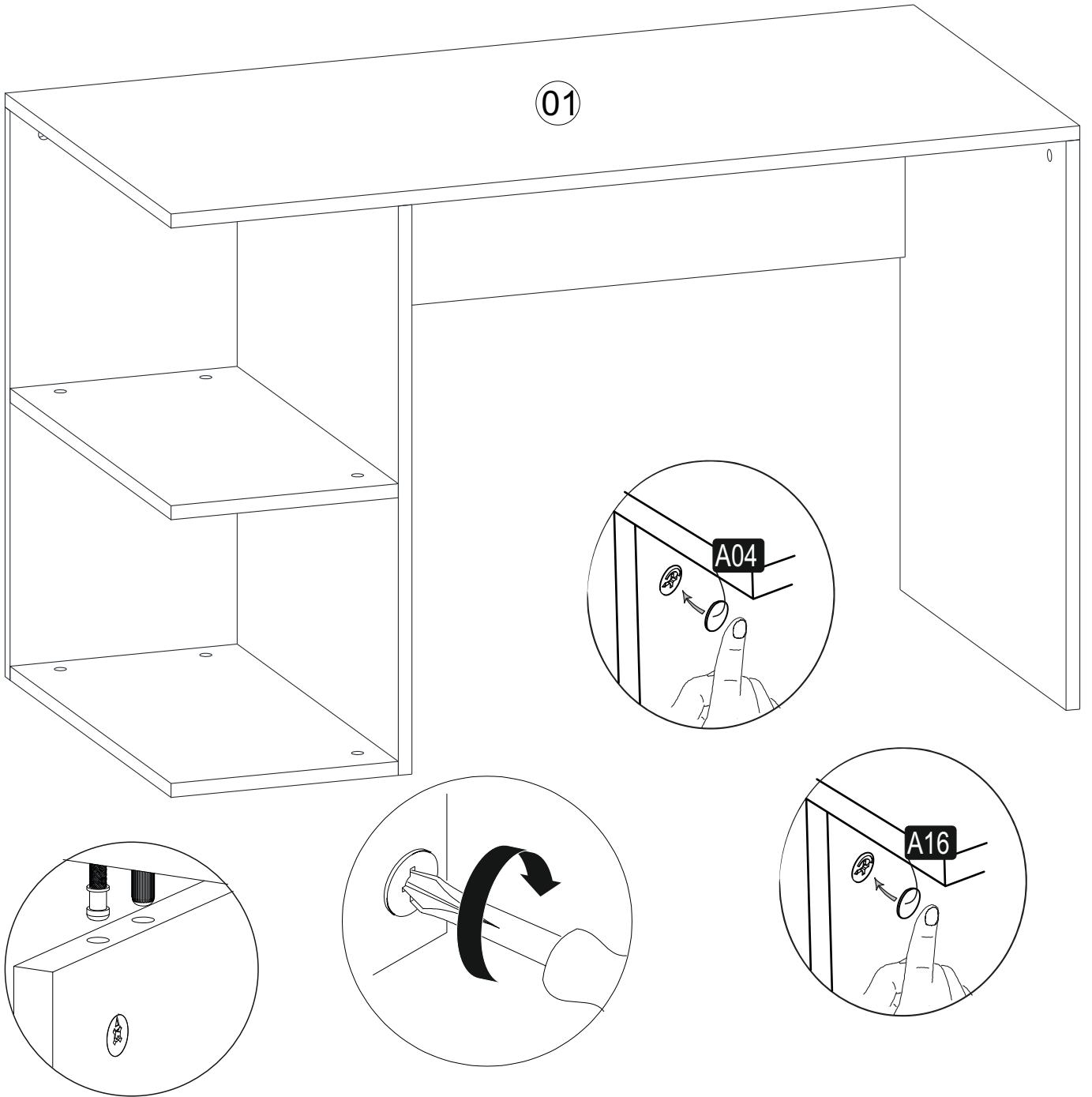


2



# 3







# **WARNING**

## **CHOKING HAZARD**

- This unit contains small parts which could be a choking hazard for small children. Children should be under adult supervision at all times.
- Do not overload the unit. Each shelf has a recommended capacity of 13 pounds, and the total weight on the unit should not exceed 39 pounds for wall shelves.
- Do not climb, step, or stand on the unit.
- Do not mount or attach items to the front, rear, or sides of the unit. This can cause the unit to become unbalanced and fall.
- Do not stack units.
- All units must be secured individually to wall studs using hardware provided. If wall studs are not accessible, consult your local hardware store for appropriate mounting hardware.
- We recommend you hand-tighten screws. Use care not to overtighten if using power tools. Follow proper safety procedures if using power tools and/or ladders.
- We recommend you protect your work surface during assembly to prevent scratching or damage to tabletops, wood floors, etc.
- Failure to follow the instructions listed here could result in bodily injury or damage to personal belongings. Use caution and follow safety procedures.