

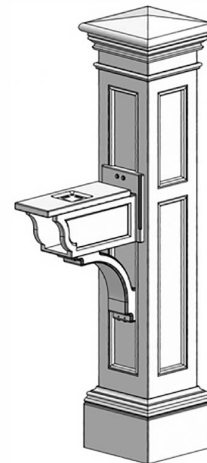
Assembly Instructions

General Information:

- Read instructions carefully before beginning assembly.
- Identify each component from material list.
- Do not use excessive force when assembling components.
- To clean this product, for best results use a soap solution and high-pressure water.
- In the event of missing or defective parts, please call our customer service department.

Materials List:

Part #	Description	Quantity
1	Decorative post	1
2	Mailbox arm	1



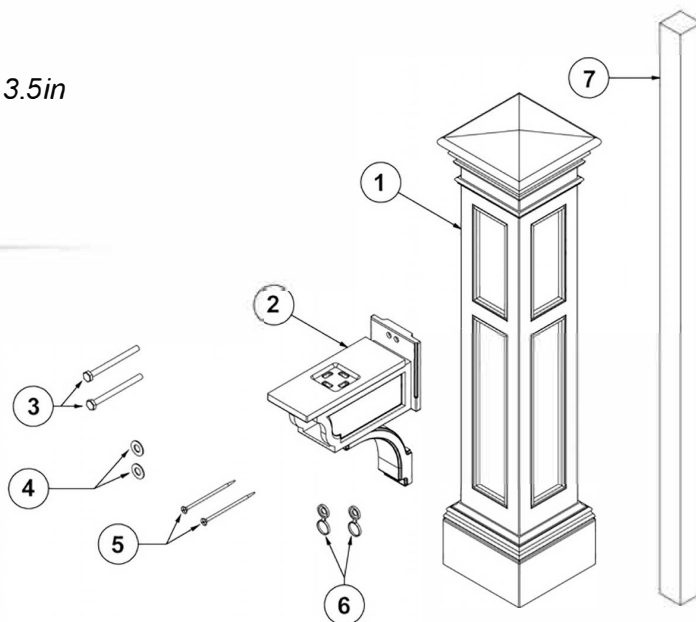
**Liberty
Mail Post**

Hardware Pack Includes:

3	1/4" x 3" galvanized lag bolt	2
4	5/16" galvanized flat washer	2
5	#10 x 3" steel screw	2
6	Plastic snap cap	2
7	4x4 Wood Post - not included 4x4 actual dimensions are 3.5in x 3.5in 72in length is recommended	

Tools Required:

- Cordless drill
- Phillips drill bit
- 7/16" socket wrench
- Tape measure
- Level
- Shovel



TOOLS REQUIRED



Shovel



Cordless Drill



Tape Measure



7/16"



Phillips Bit

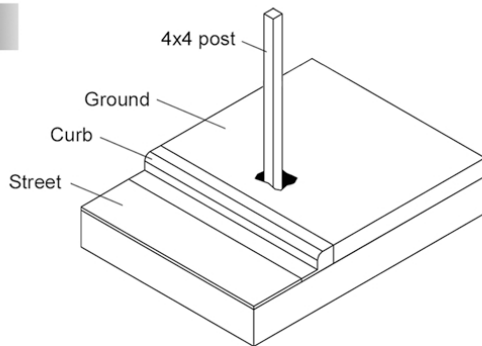


Level

IMPORTANT NOTE

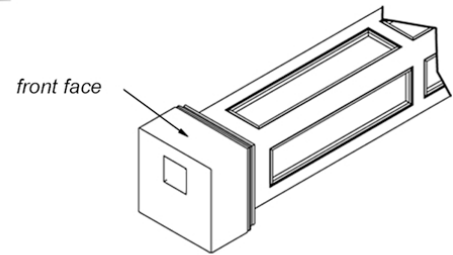
- 4x4 wood post, mailbox, and mailbox mounting hardware NOT included with any Mayne mail posts
- Recommended mailbox weight up to 16lbs, heavier mailboxes can be reinforced by securing 2 screws through the back of the mailbox directly into the post
- Please refer to local codes for mailbox installation height and setback from the curb

1.



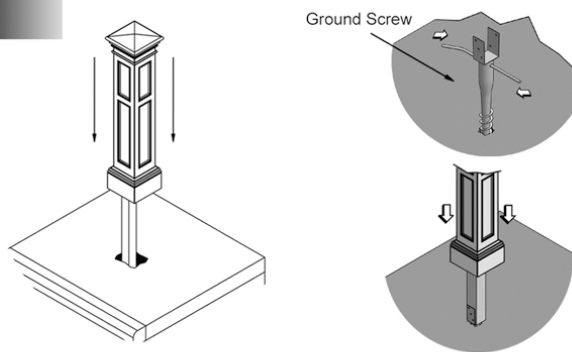
Dig a 36" deep hole in the desired location and insert a 4x4 wood post. Leave 48" exposed above ground. Fill in the hole with pre-mix concrete (not included) and level the wood post. Once the concrete has been given time to cure proceed to STEP 2.

2.



Please note that the pre-cut hole in the bottom of the post is cut closest to the front face of the mail post. This is important since the mailbox arm must be installed on this same face.

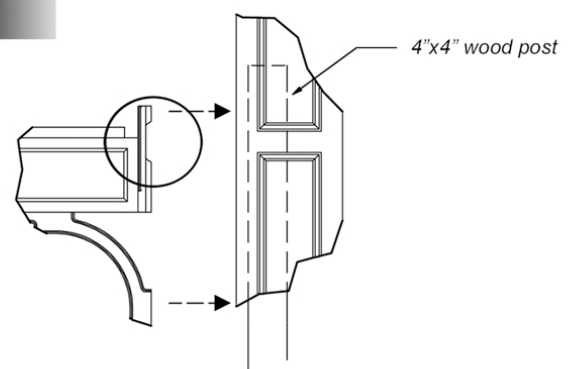
3.



Slip the decorative post (part 1) over the wood post ensuring that the base sits flush with the ground.

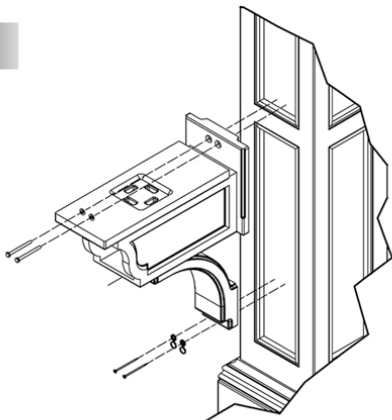
Optional Ground Screw: Twist the screw into the ground and attach a 4x4 post (approx. 48" length, not included) with the 5x lag bolts provided. Slide the decorative post over the 4x4.

4.



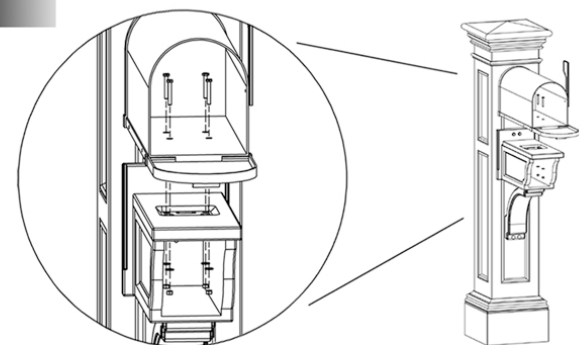
Align the mailbox arm (part 2) with the post as shown above. The arm is notched to fit flush with the inset panels. Notice the location of the wood post. As indicated in STEP 2, the wood post slips inside the decorative post closest to the front face.

5.



Use two 3" lag bolts (part 3) with flat washers (part 4) for the top and two 3" screws (part 5) in the bottom of the arm. Plastic snap caps (part 6) are provided to cover the screw heads.

6.



Pre-drill 4 holes with a 3/8" drill bit through the mailbox and paper holder arm as shown above. Using a nut, bolt, and washer combination secure the mailbox to the arm and tighten. 2" bolts are recommended (mailbox and mailbox mounting hardware not included).