

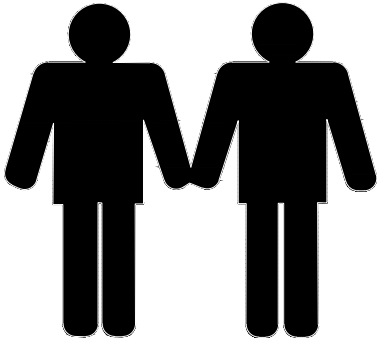


DJ504291

Version 1.0

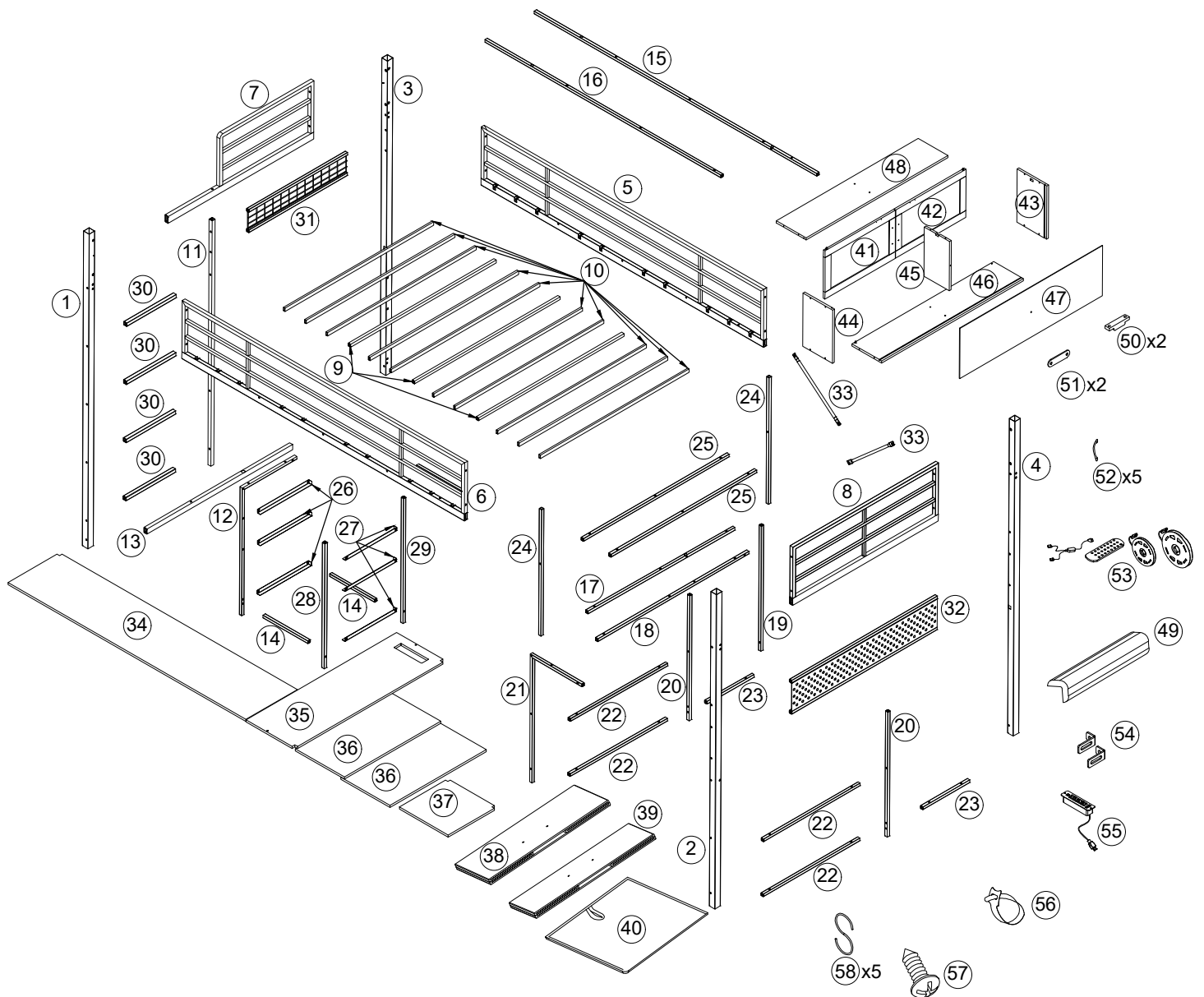
Note:

- 1, Should be assembled on flat ground to keep balance.
2. Before completing the installation, do not tighten the screws.



Before starting the assembly ,  
you must read the whole manual  
and follow the instructions .

It needs at least  
two people to install



# Install parts

## PARTS LIST



①  
x1



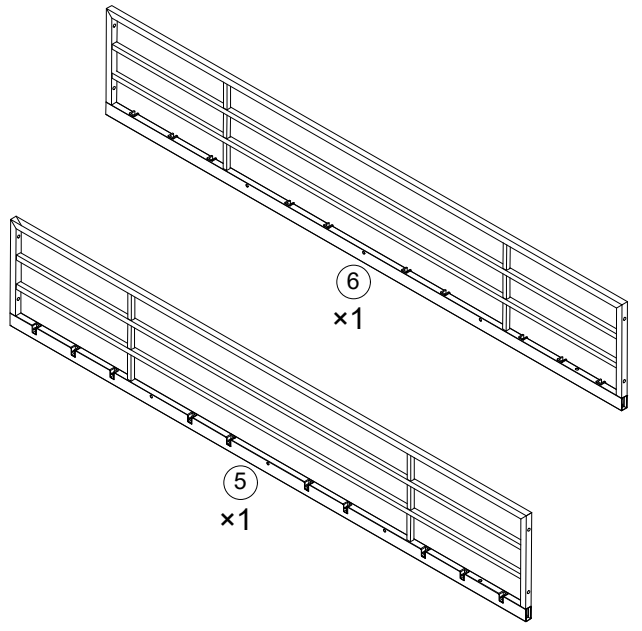
②  
x1



③  
x1

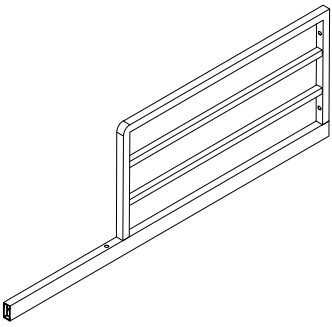


④  
x1

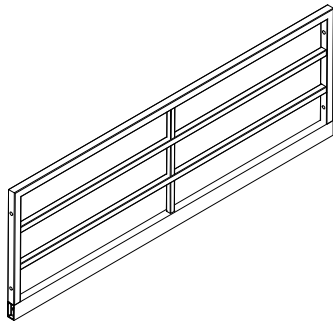


⑤  
x1

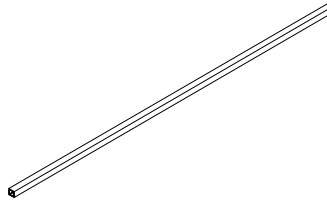
⑥  
x1



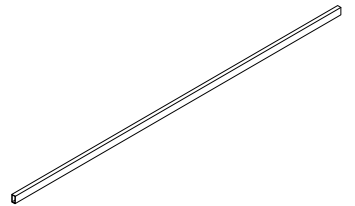
⑦  
x1



⑧  
x1



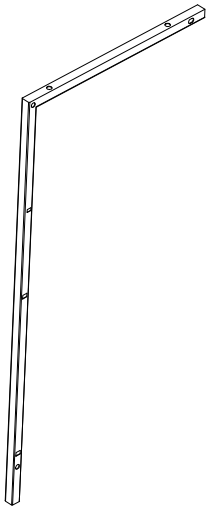
⑨  
x3



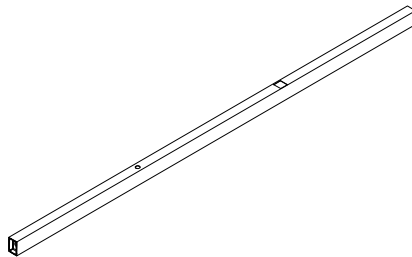
⑩  
x10



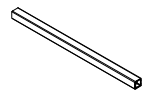
⑪  
x1



⑫  
x1



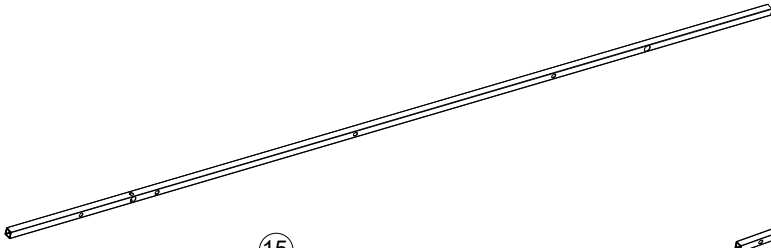
⑬  
x1



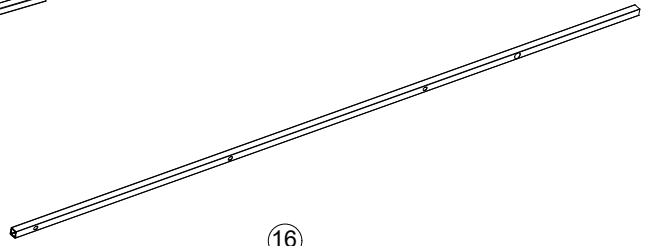
⑭  
x2

# Install parts

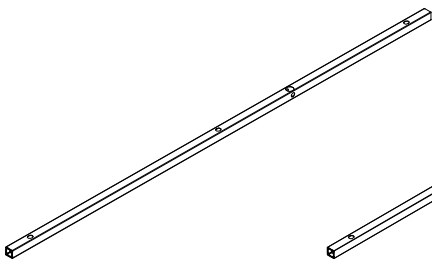
## PARTS LIST



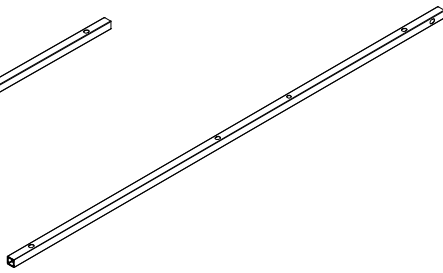
⑮  
x1



⑯  
x1



⑰  
x1



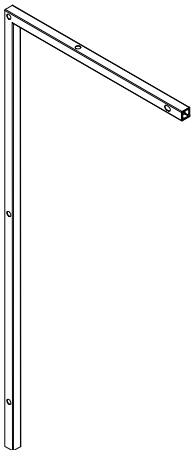
⑱  
x1



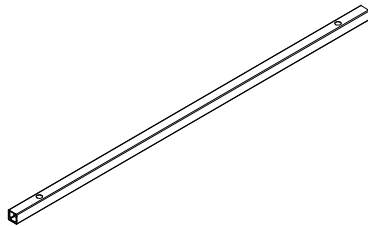
⑲  
x1



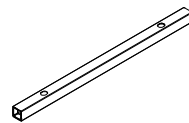
⑳  
x2



㉑  
x1



㉒  
x4



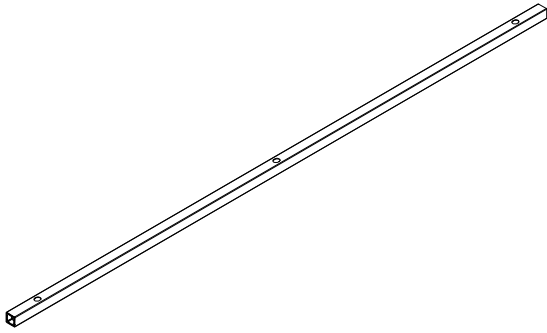
㉓  
x2



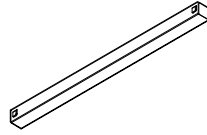
㉔  
x2

# Install parts

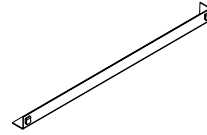
## PARTS LIST



25  
x2



26  
x3



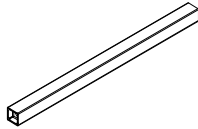
27  
x3



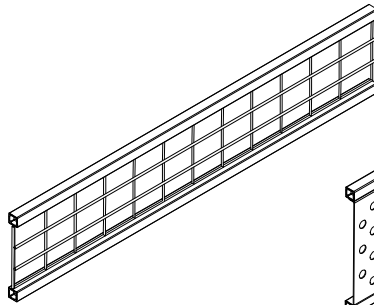
28  
x1



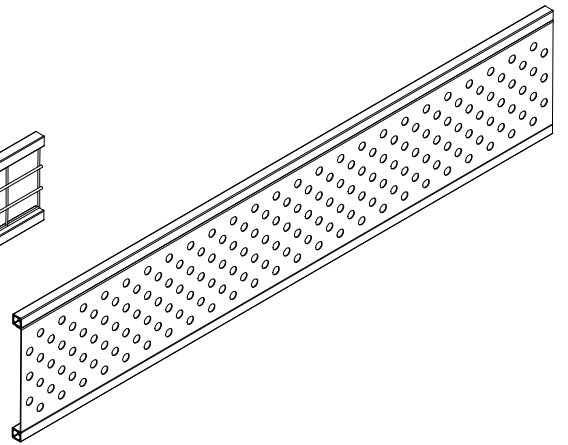
29  
x1



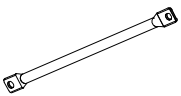
30  
x4



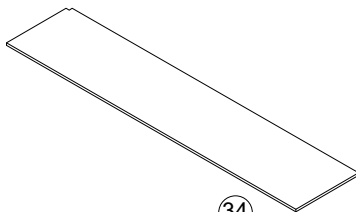
31  
x1



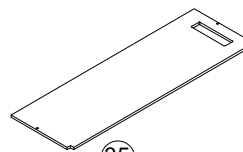
32  
x1



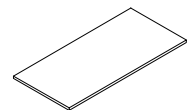
33  
x2



34  
x1



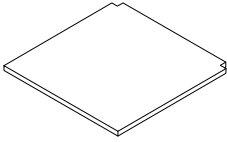
35  
x1



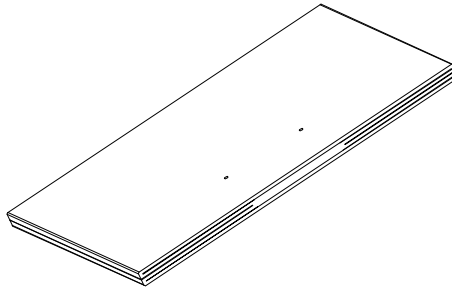
36  
x2

# Install parts

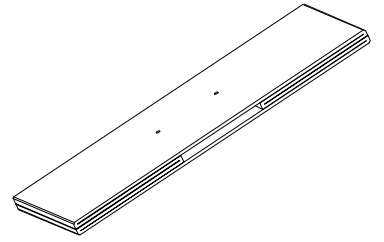
## PARTS LIST



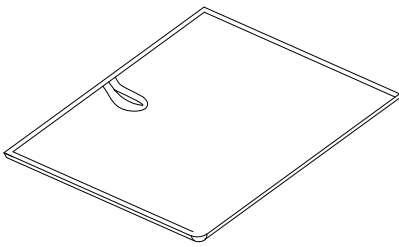
37  
x1



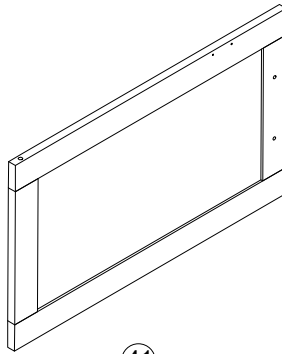
38  
x1



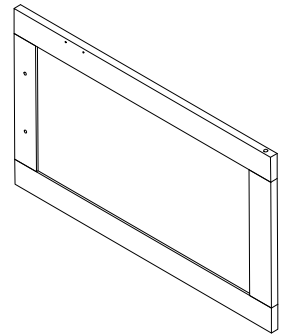
39  
x2



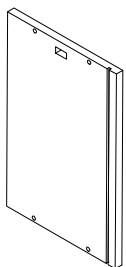
40  
x3



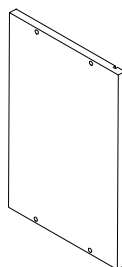
41  
x1



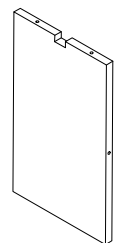
42  
x1



43  
x1



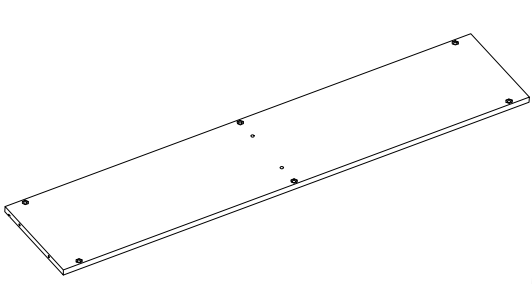
44  
x1



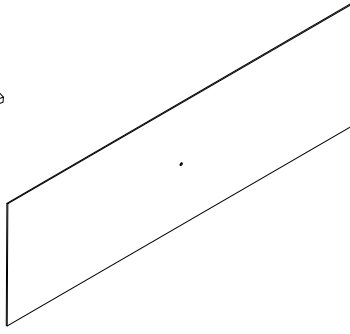
45  
x1

# Install parts

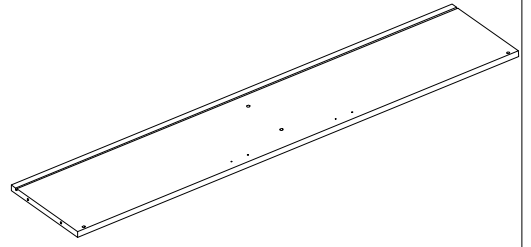
## PARTS LIST



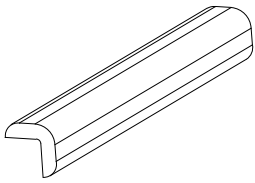
46  
x1



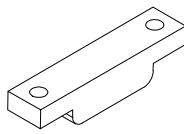
47  
x1



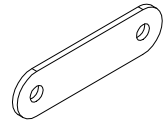
48  
x1



49  
x4



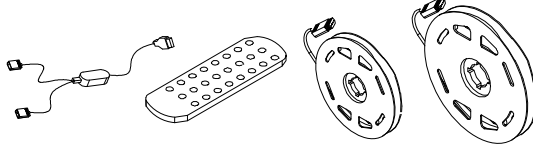
50  
x2



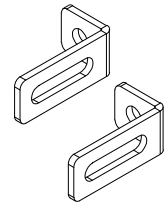
51  
x2



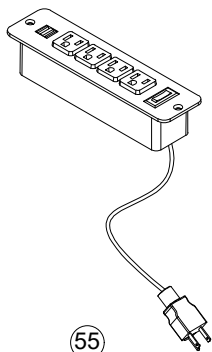
52  
x5



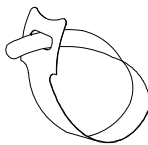
53  
x1



54  
x2



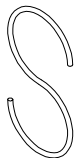
55  
x1



56  
x5



57  
x6



58  
x5

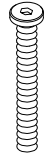
# HARDWARE LIST



**A**  
M3\*12  
x8+1



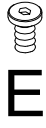
**B**  
M4\*20  
x4+1



**C**  
M6\*60  
x31+3



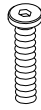
**D**  
M5\*40  
x13+1



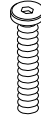
**E**  
M6\*20  
x7+1



**F**  
M6\*25  
x32+3



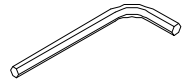
**G**  
M6\*35  
x49+5



**H**  
M6\*45  
x2



**I**  
Ø5x17  
4+1



**J**  
4#  
x1



**K**  
4#  
x1



**L**  
M6  
x1



**M**  
M6\*75  
x2



**N**  
M6  
X35+3



**O**  
M4x10  
x2



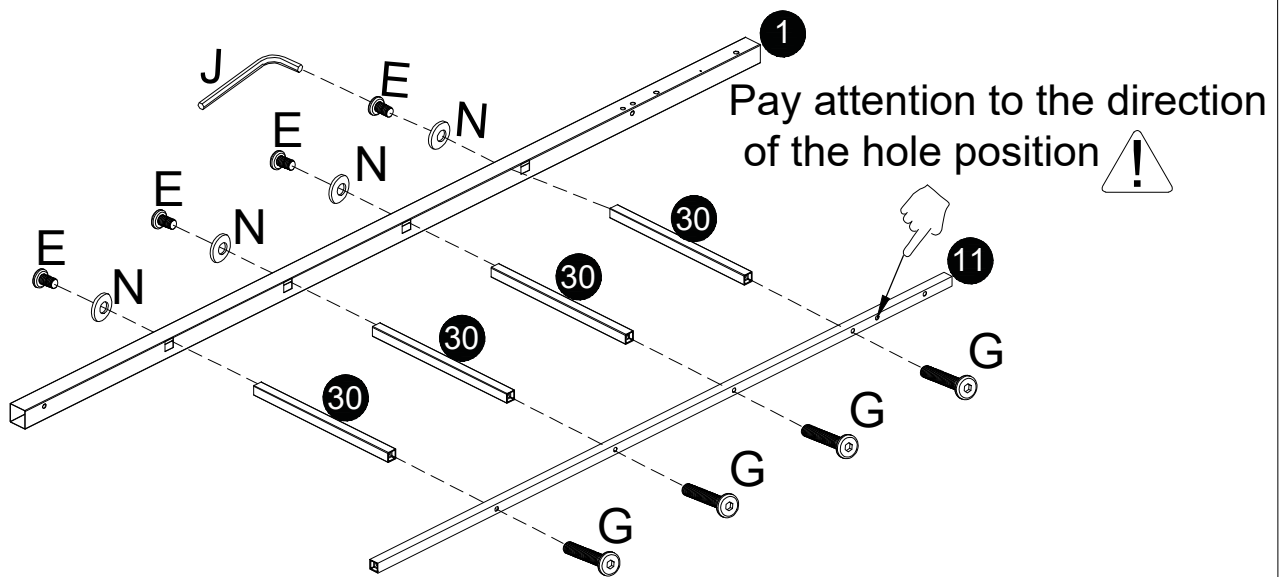
**P**  
3#  
x1



**Q**  
M6\*12  
x4+1

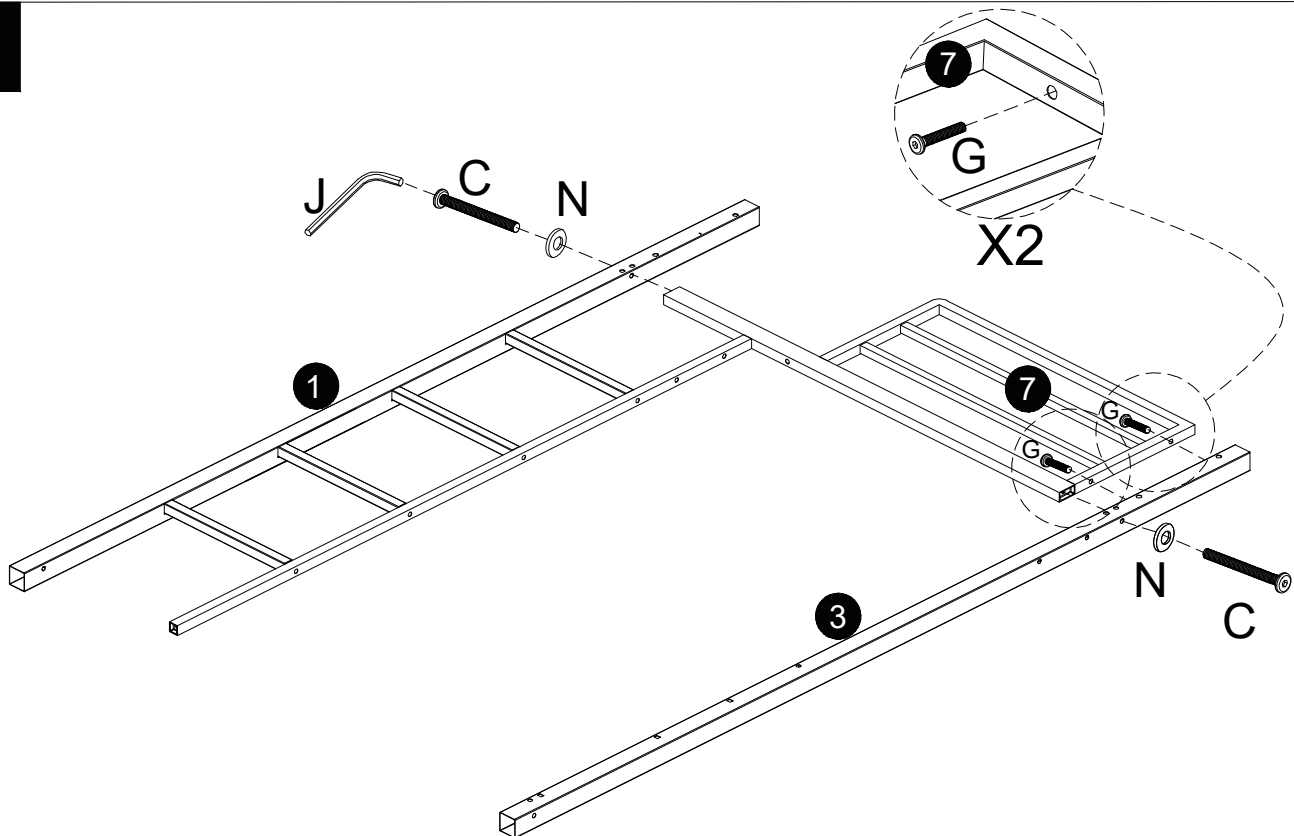
**1**





Please pay attention to the direction of the hole position.



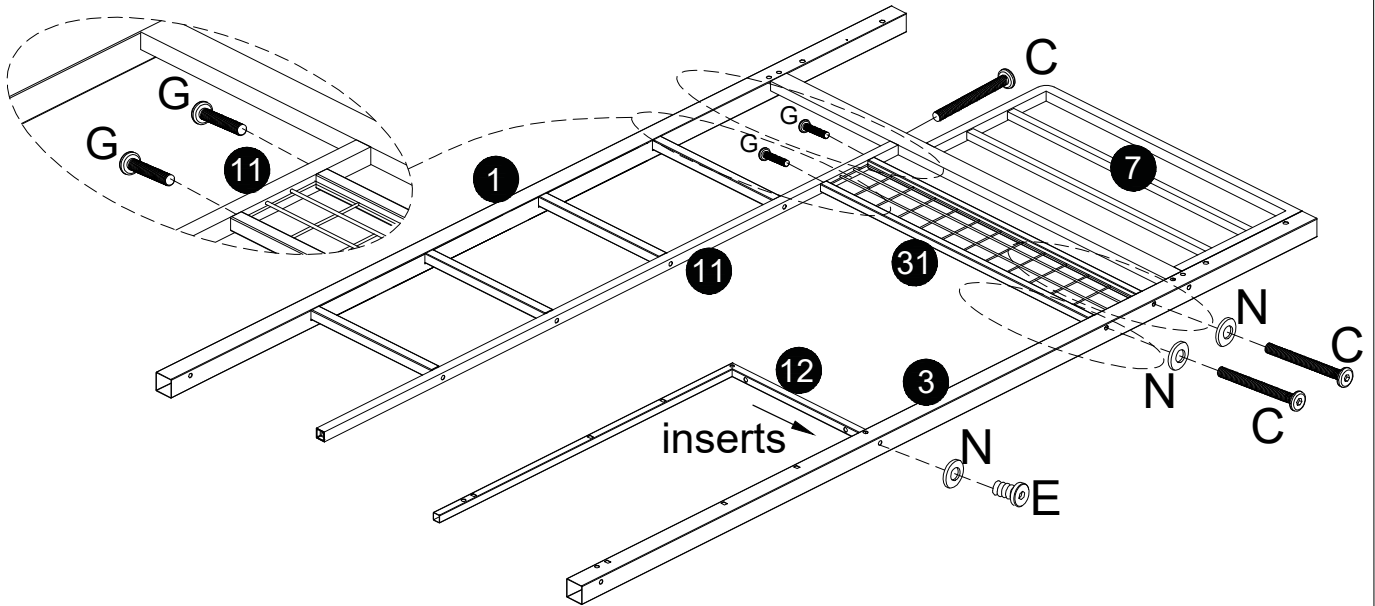
G	M6*35	E	M6*20	N	M6
	x4		x4		x4

Be careful not to overtighten the screws.

**2**

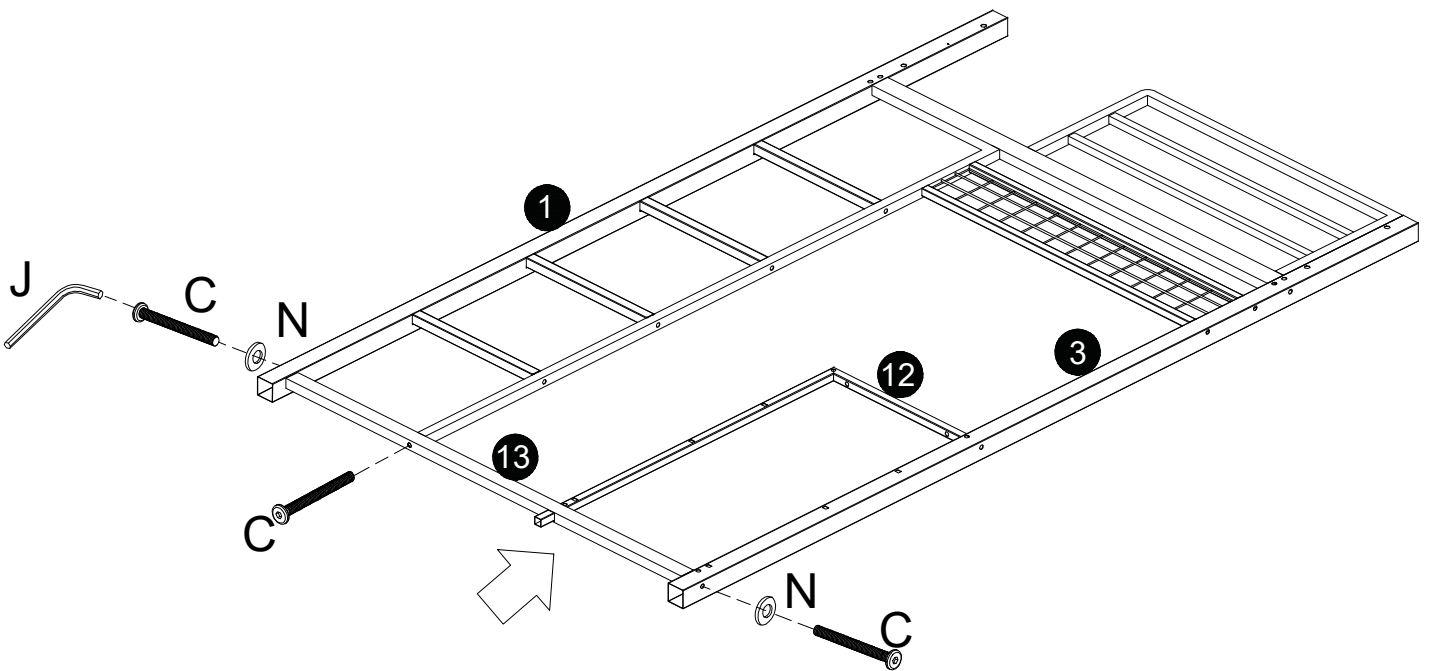
C	M6*60	G	M6*35	N	M6	J	4#
	x2		x2		x2		x1




3



C M6*60  x3	G M6*35  x2	N M6  x3	E M6X20  x1	J 4#  x1
---	---	--	---	--

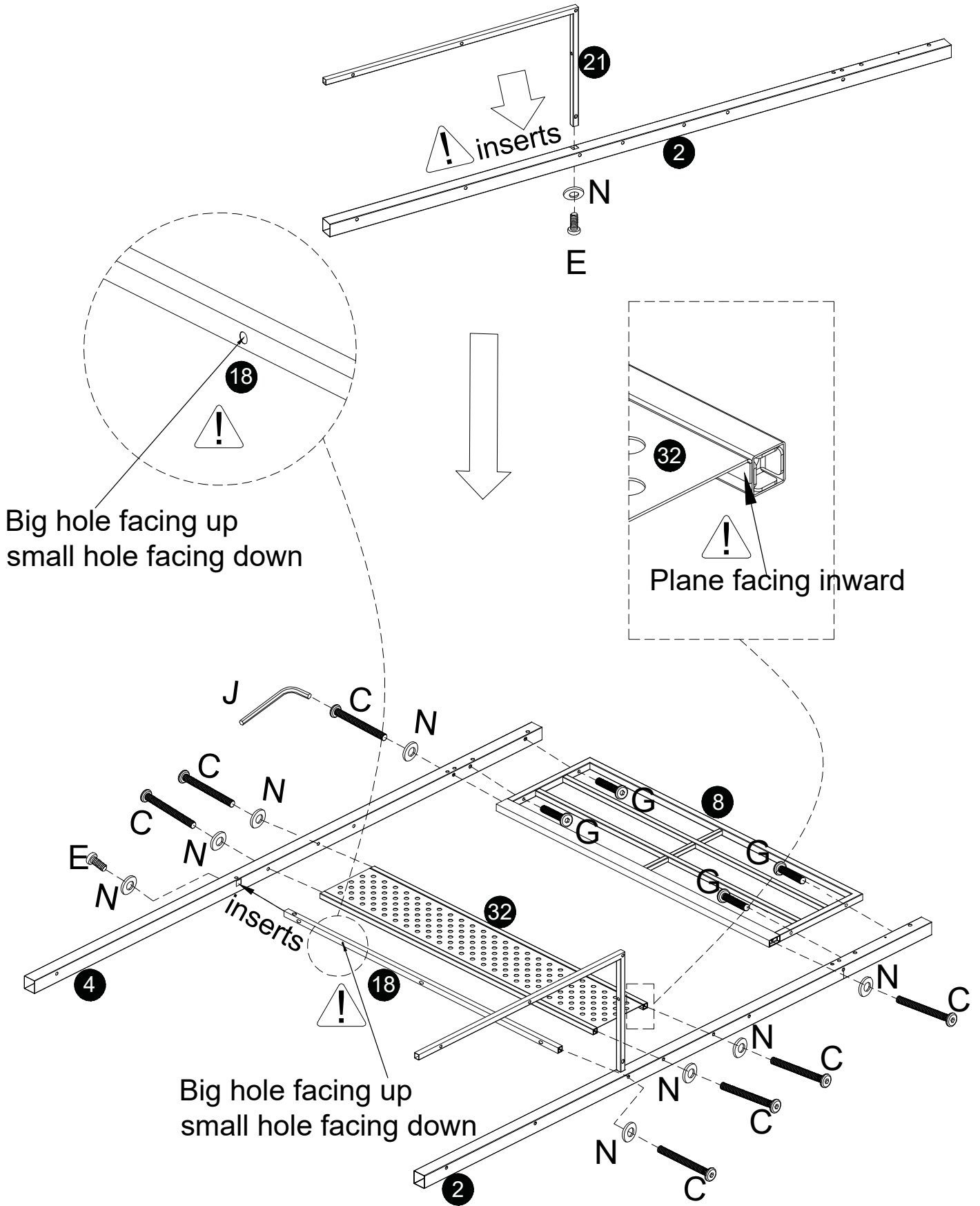
4



C M6*60  x3	N M6  x2	J 4#  x1
---	--	--

5

Pay attention to installation direction and hole position



C M6\*60



x7

G M6\*35



x4

N M6



x9

E M6x20




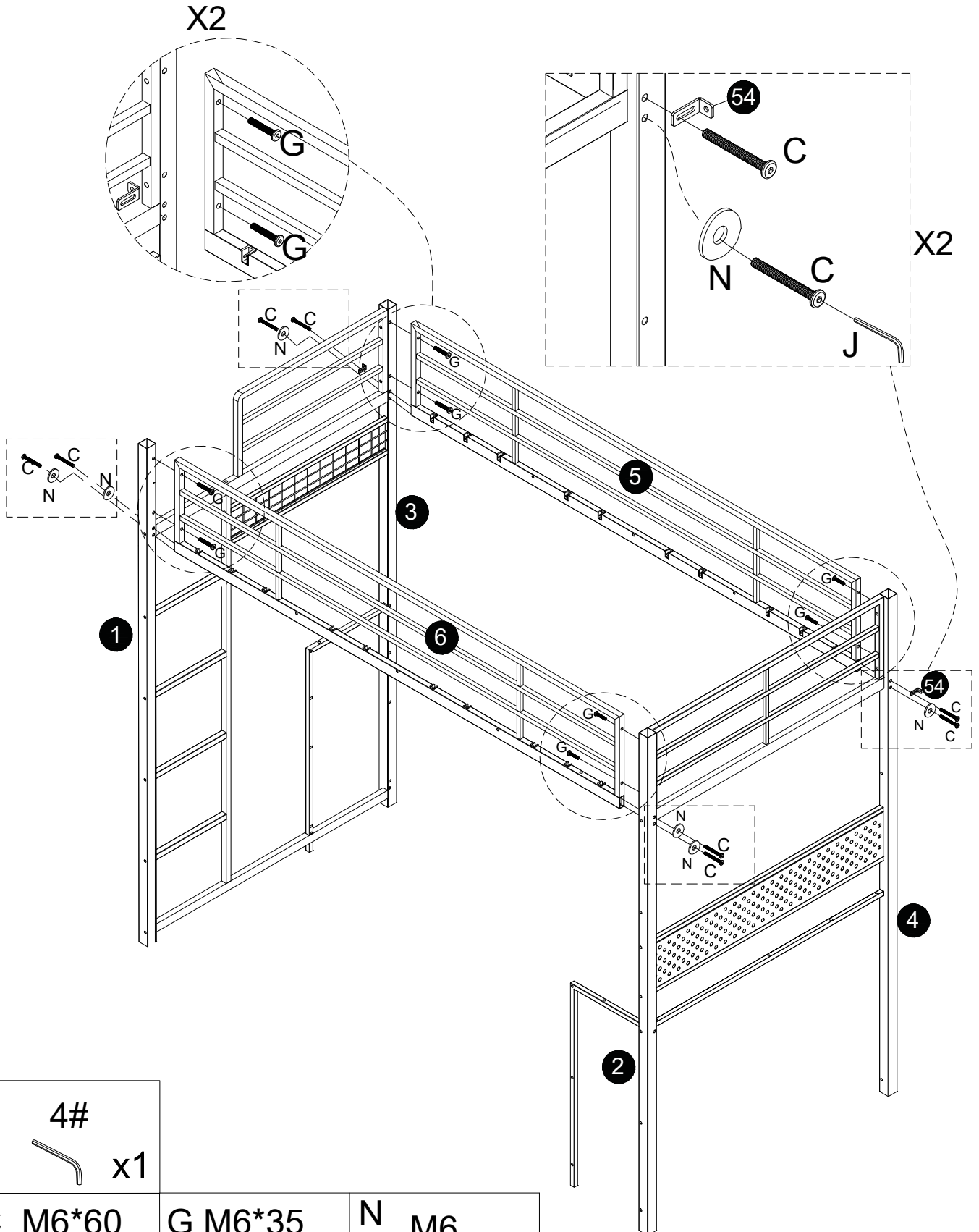
x2





J 4#



x1

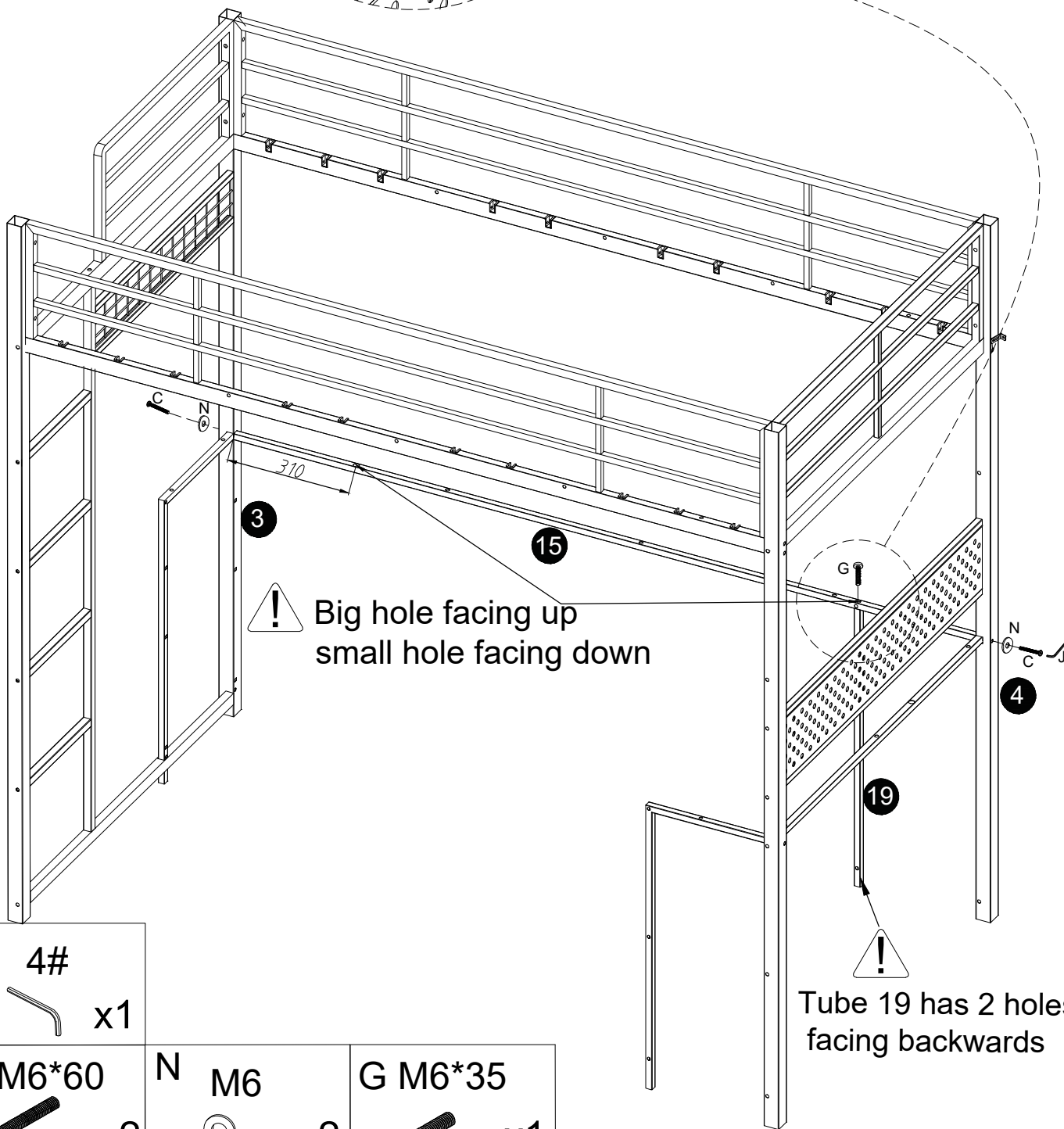
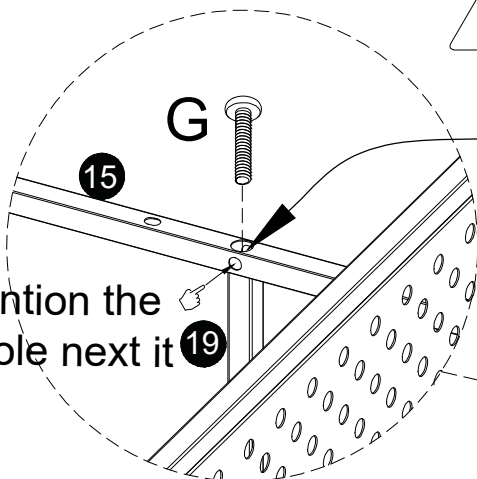
 Be careful not to overtighten the screws.



<p>J 4#   x1</p>	<p>C M6*60   x8</p>	<p>G M6*35   x8</p>	<p>N M6   x6</p>
---	--	--	---

! Be careful not to overtighten the screws.  
Large hole facing upwards

Pay attention the small hole next it



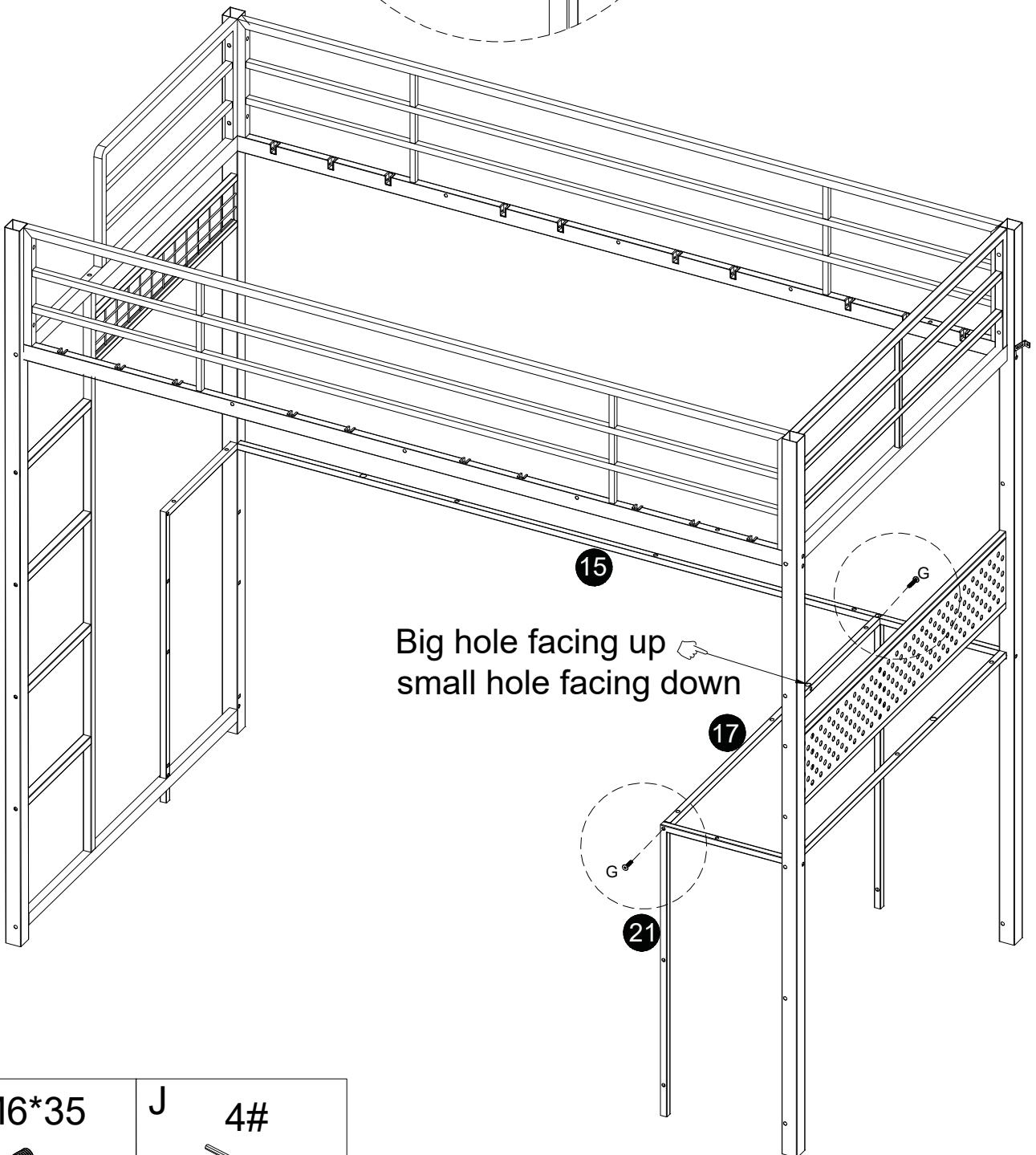
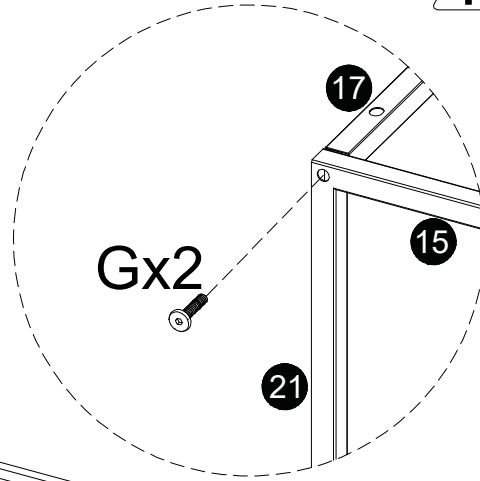
J 4#  
x1

C M6\*60  
x2

N M6  
x2

G M6\*35  
x1

! Be careful not to overtighten the screws.



G M6\*35




x2

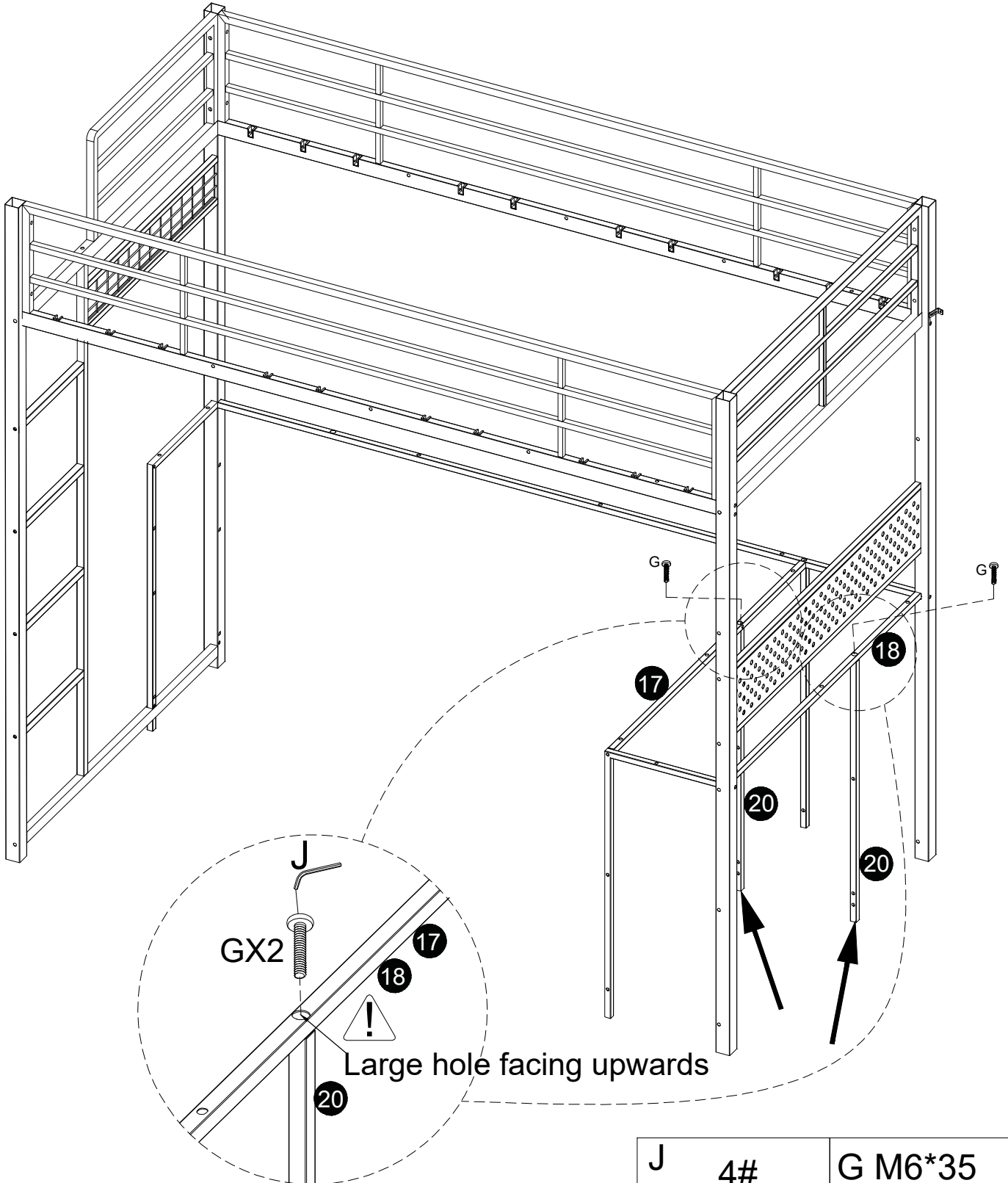
J



4#




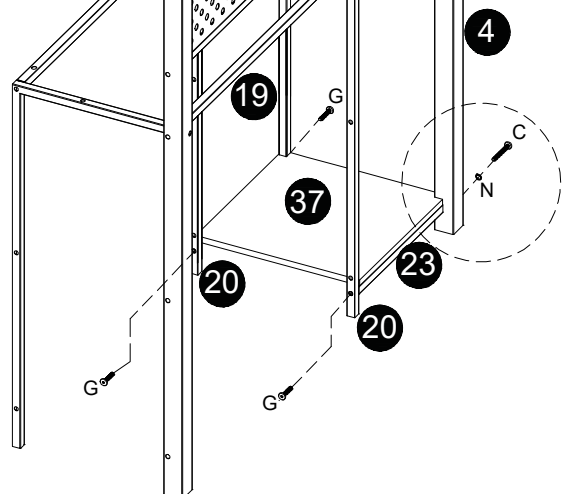
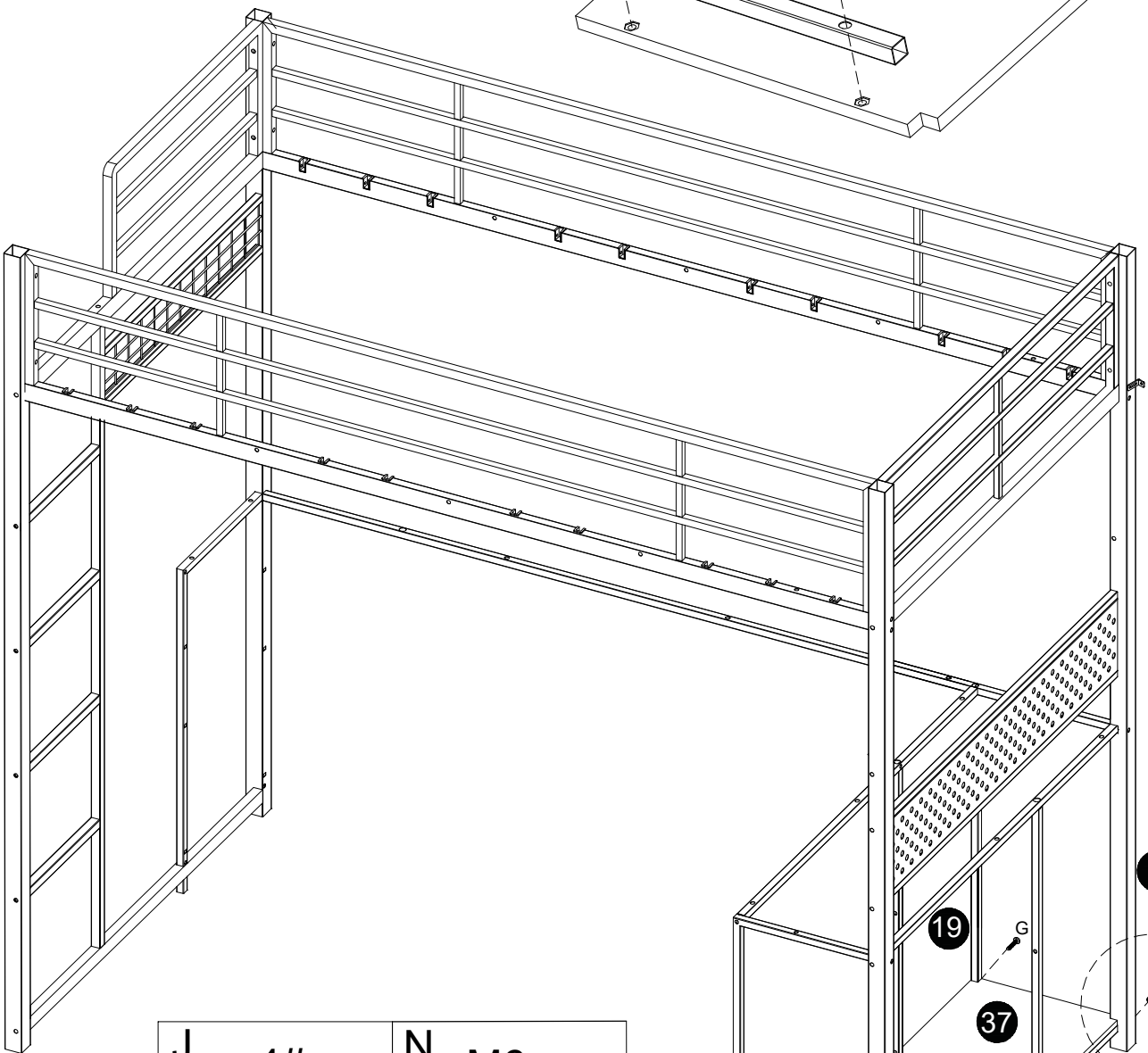
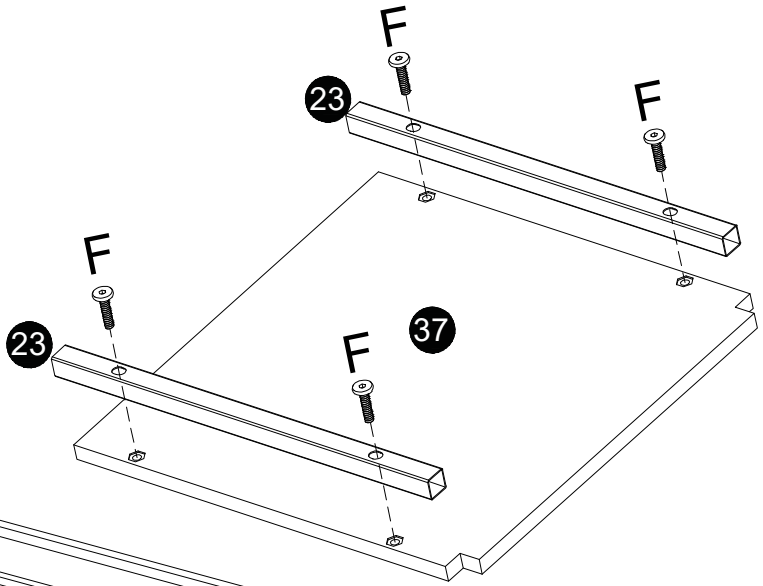
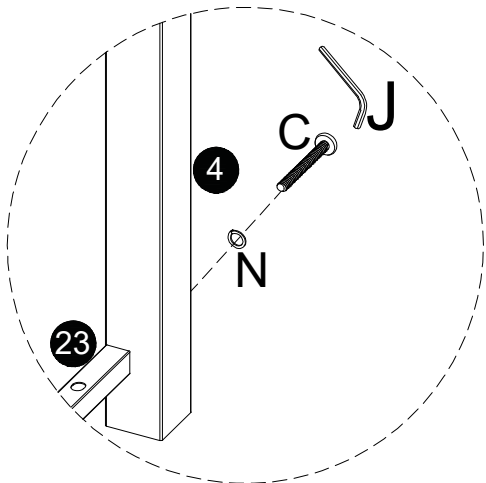
x1






 Be careful not to overtighten the screws.




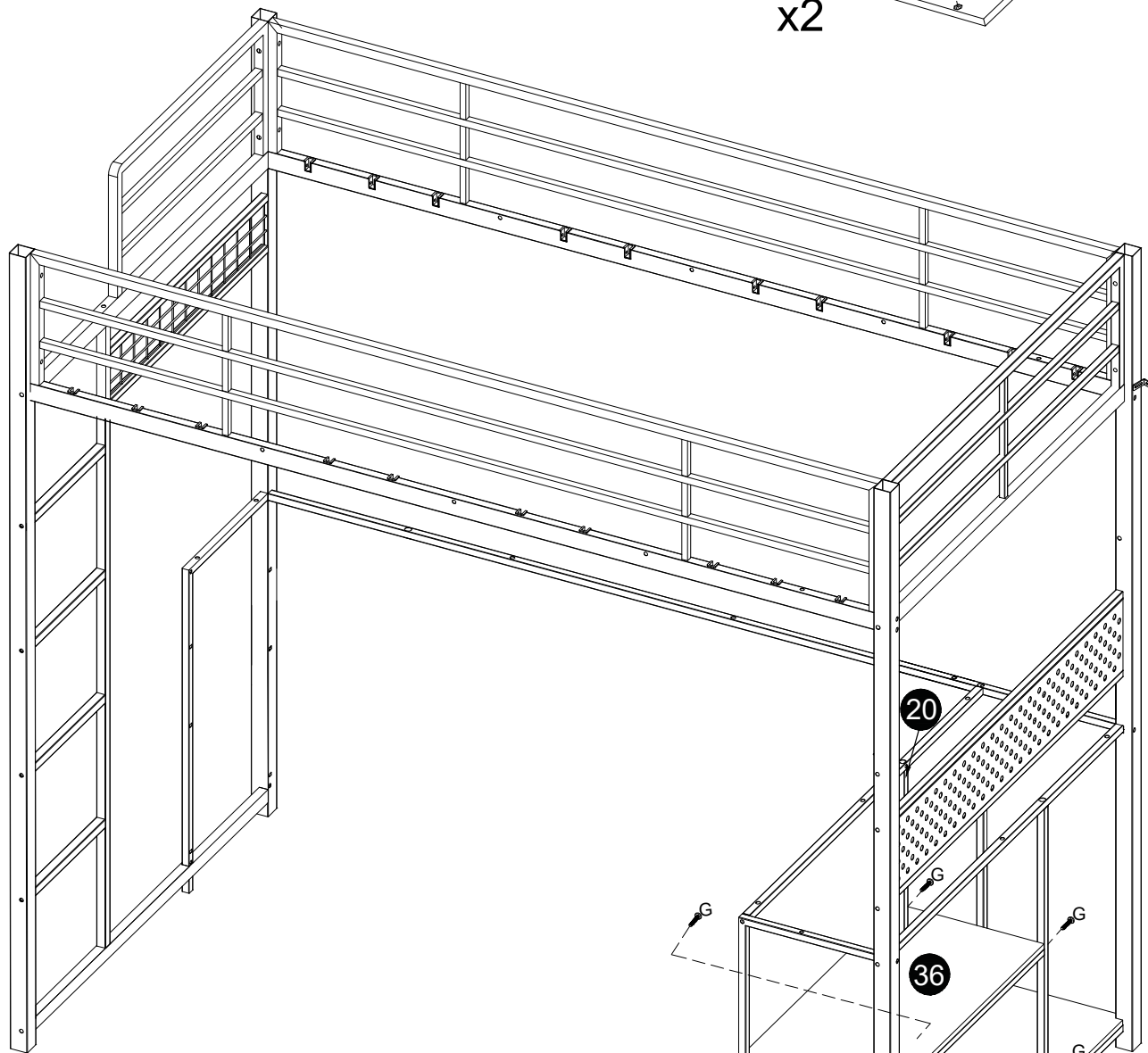
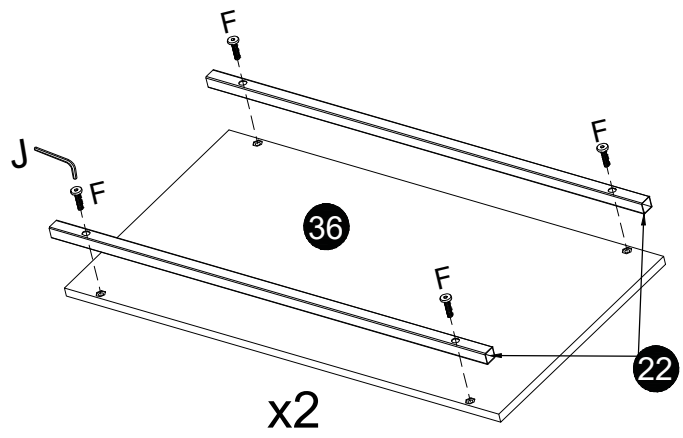
<p>J</p> <p>4#</p>  x1	<p>G M6*35</p>  x2
---	---






 Be careful not to overtighten the screws.

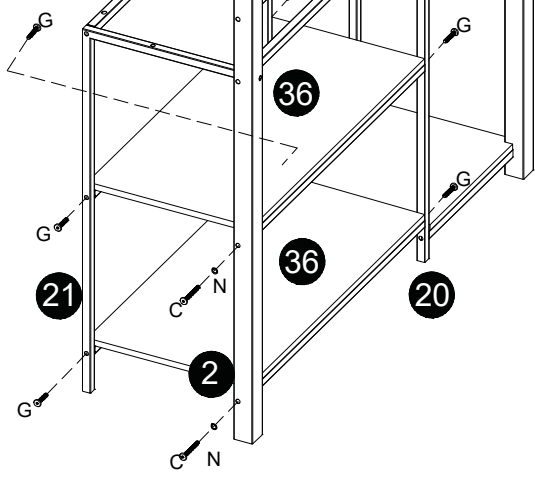


<p><b>J</b> 4#   x1</p>	<p><b>N</b> M6   x1</p>
<p><b>F</b> M6*25   x4</p>	<p><b>G</b> M6*35   x3</p>
<p><b>C</b> M6*60   x1</p>	

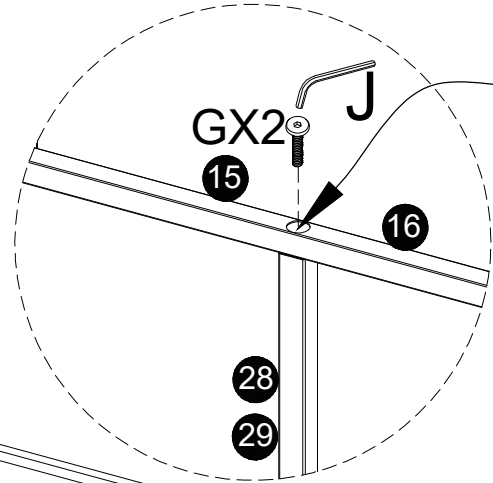
 Be careful not to overtighten the screws.



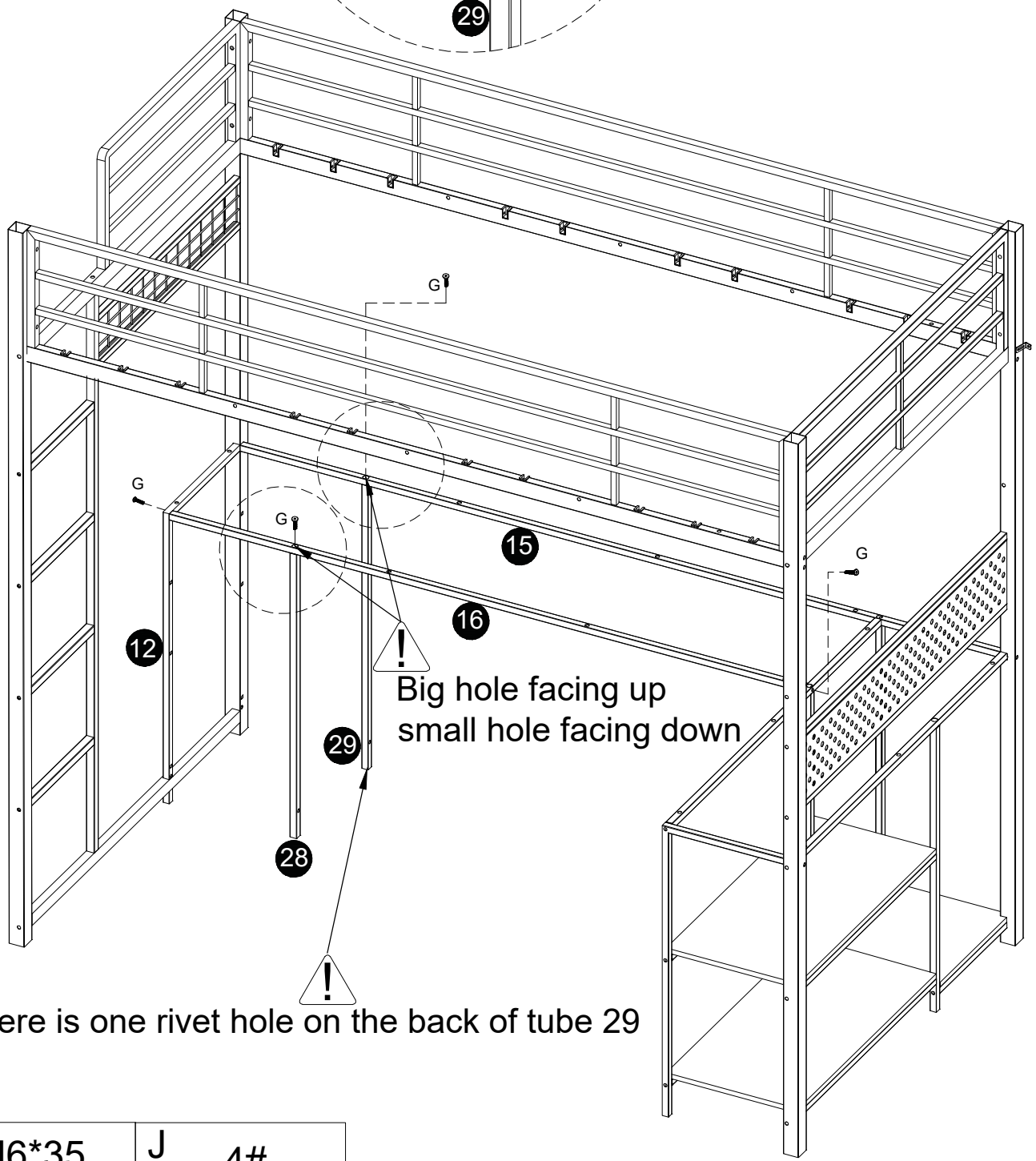
<p><b>J</b> 4#   x1</p>	<p><b>N</b> M6   x2</p>	
<p><b>F</b> M6*25   x8</p>	<p><b>G</b> M6*35   x6</p>	<p><b>C</b> M6*60   x2</p>





! Be careful not to overtighten the screws.



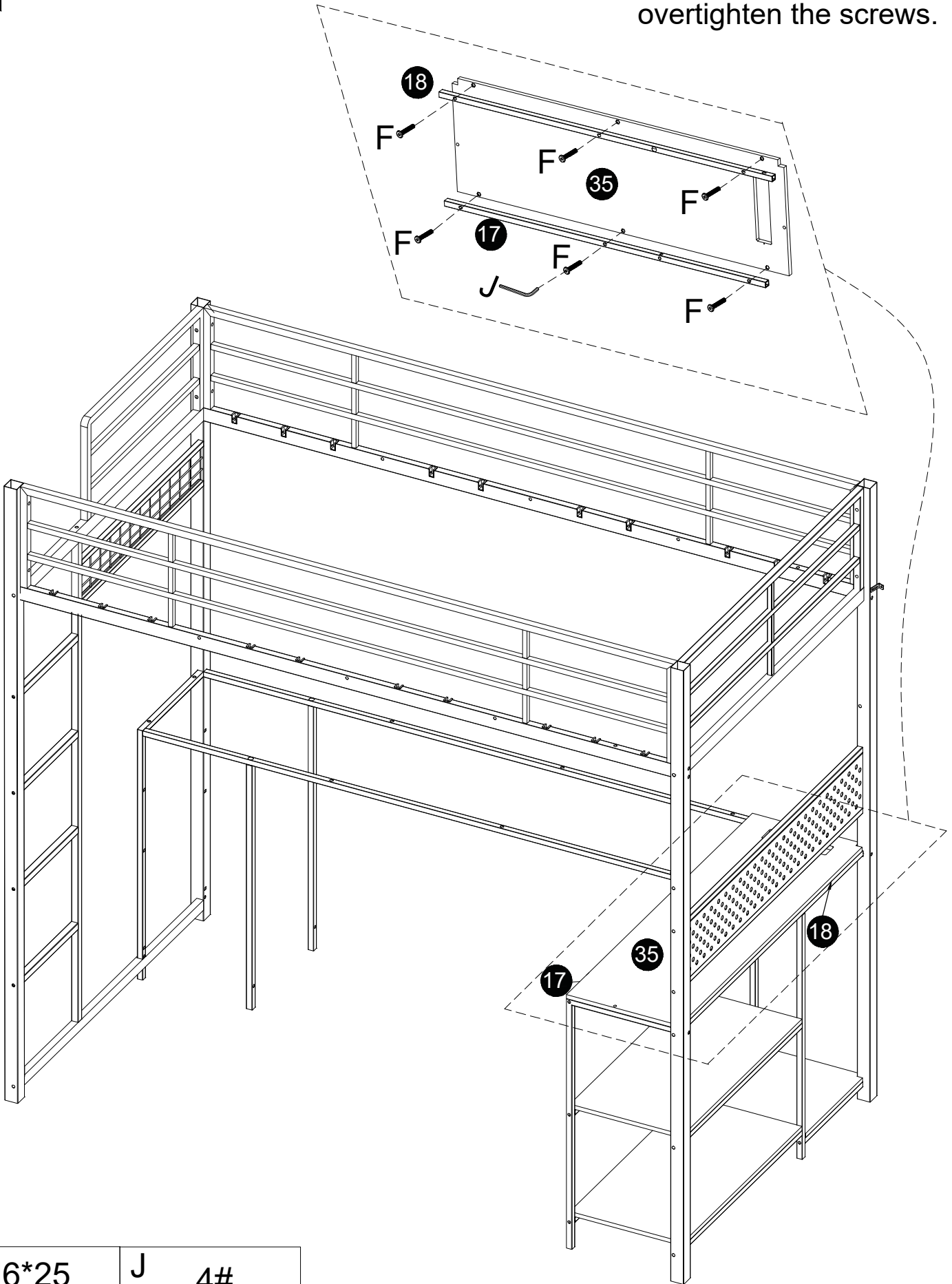
Big hole facing up  
small hole facing down






There is one rivet hole on the back of tube 29

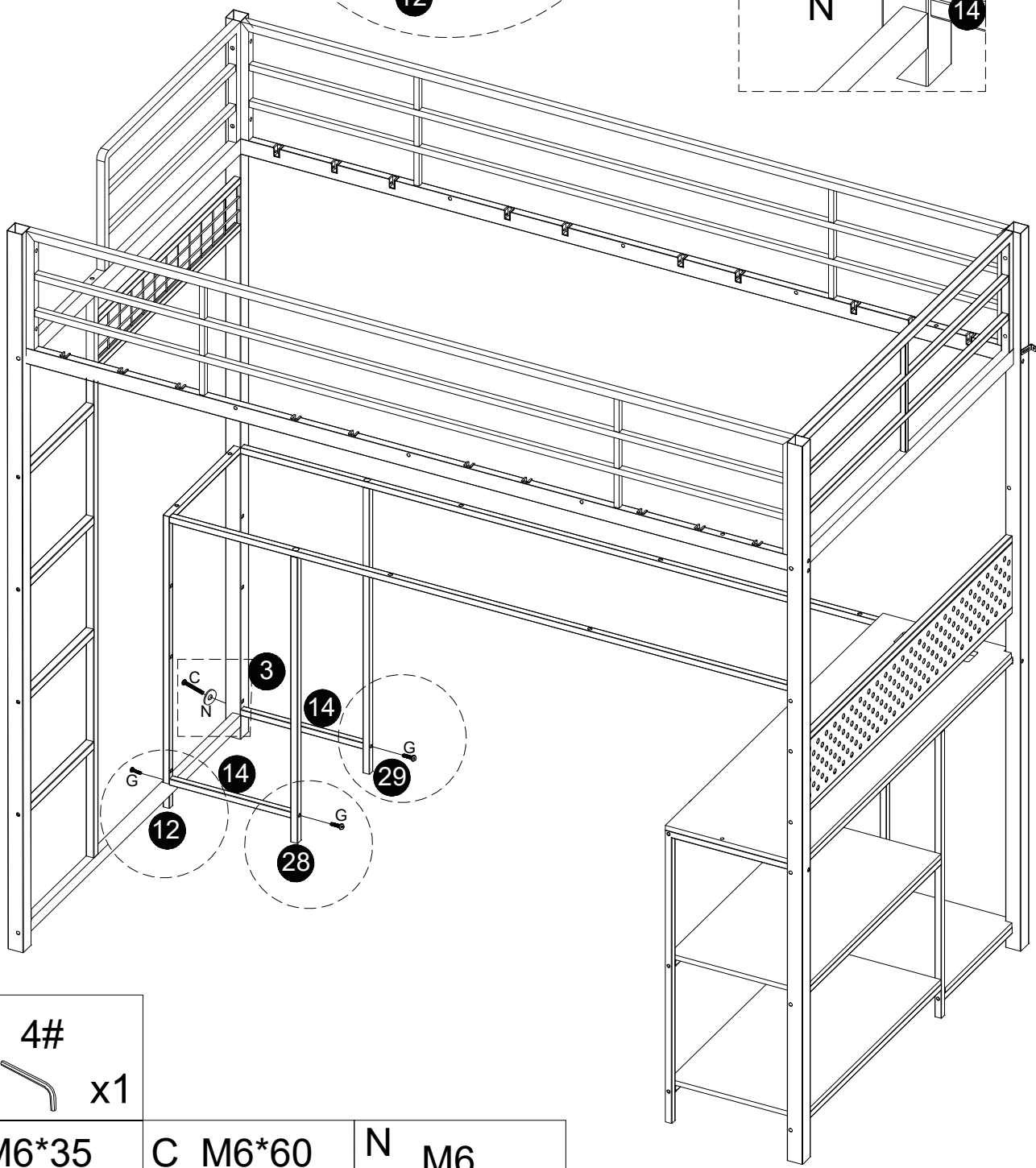
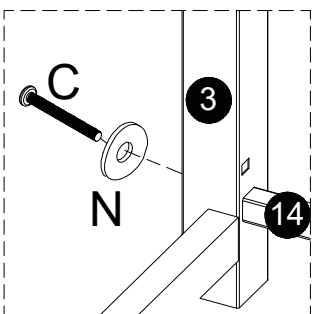
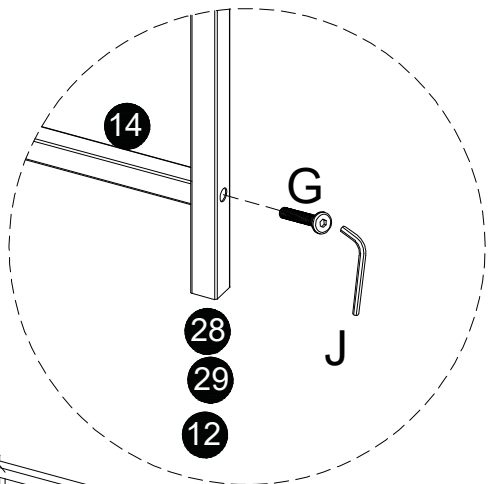
G M6*35	J	4#
 x4	 x1	


! Be careful not to overtighten the screws.





F M6*25	J	4#
 x6	 x1	


 Be careful not to overtighten the screws.



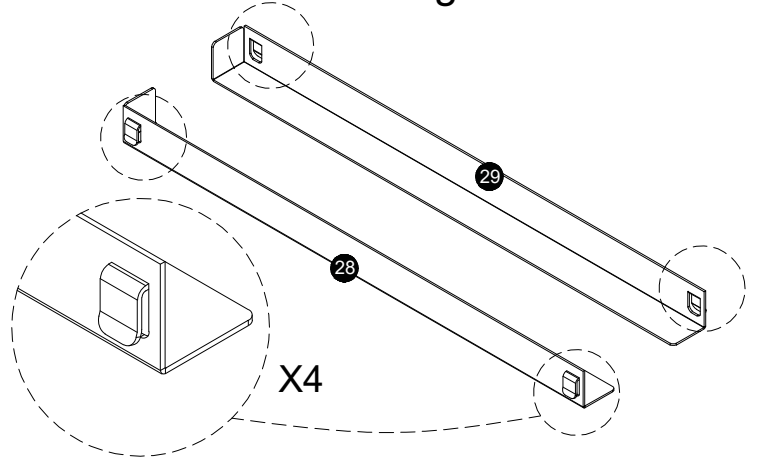
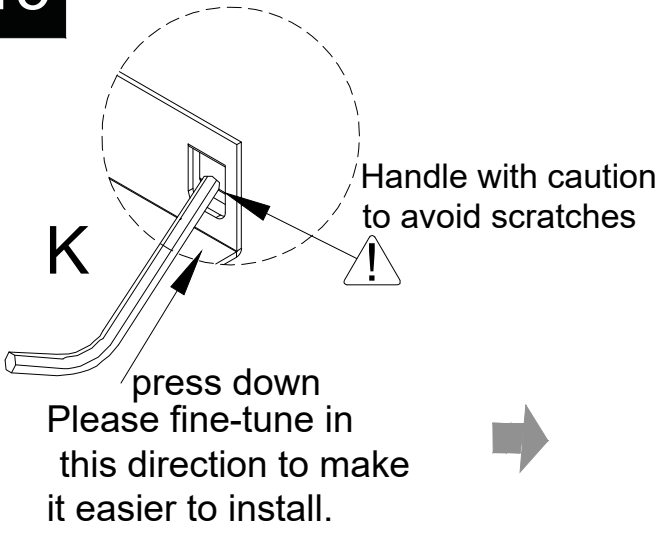
**J** 4#  
 x1

**G** M6\*35  
 x3

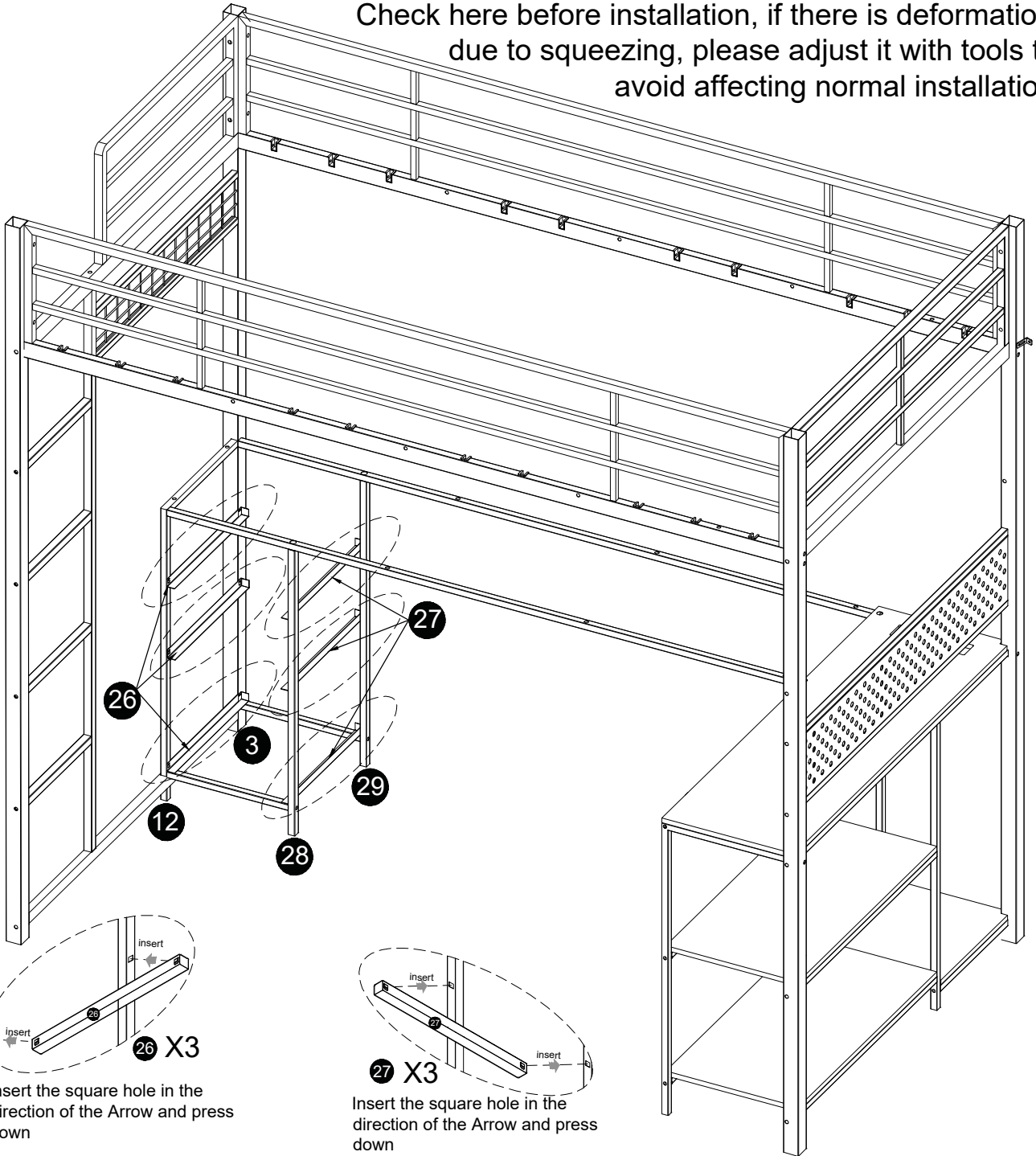
**C** M6\*60  
 x1

**N** M6  
 x1

! Be careful not to overtighten the screws.



Check here before installation, if there is deformation due to squeezing, please adjust it with tools to avoid affecting normal installation.

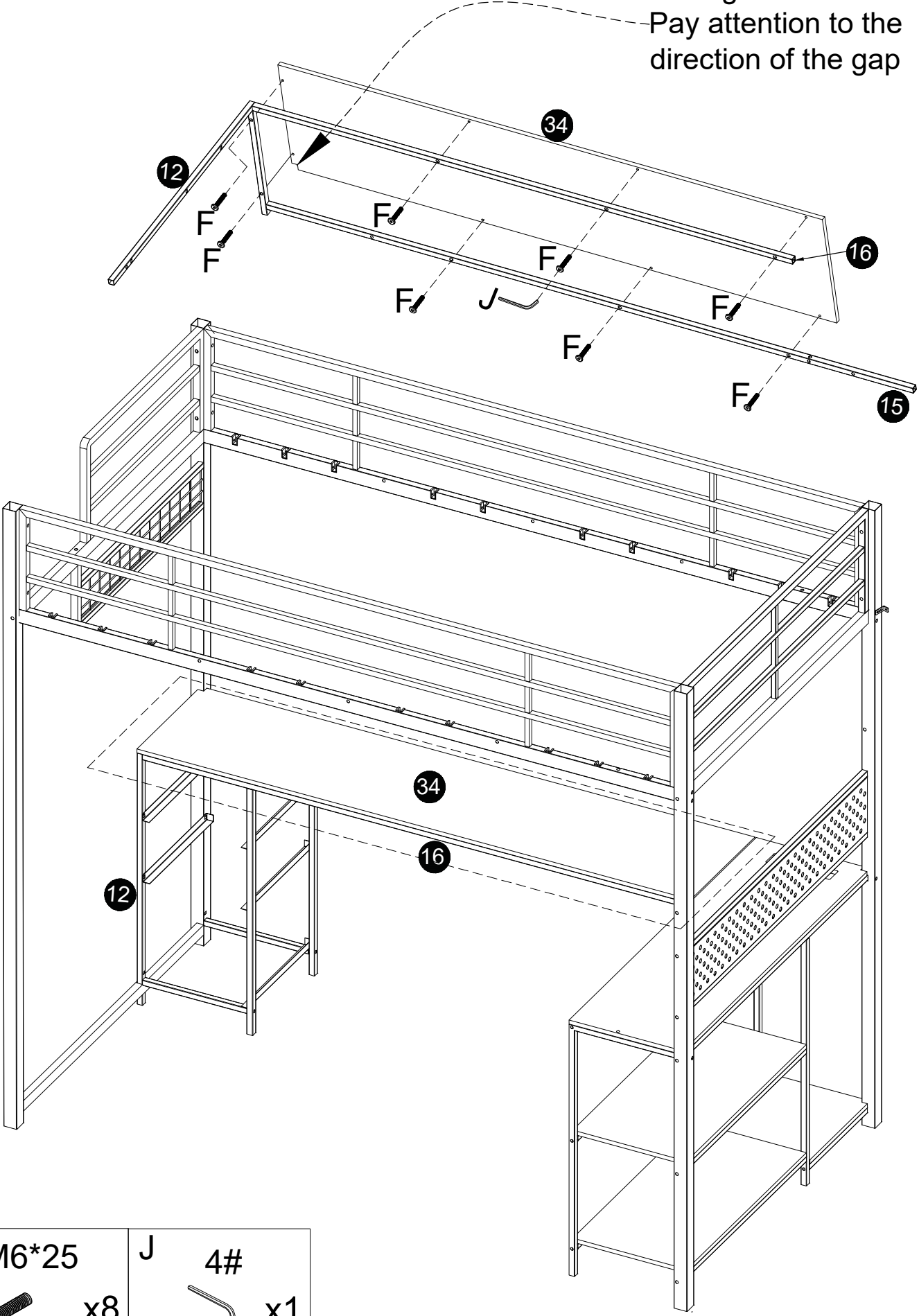




Insert the square hole in the direction of the Arrow and press down

Insert the square hole in the direction of the Arrow and press down



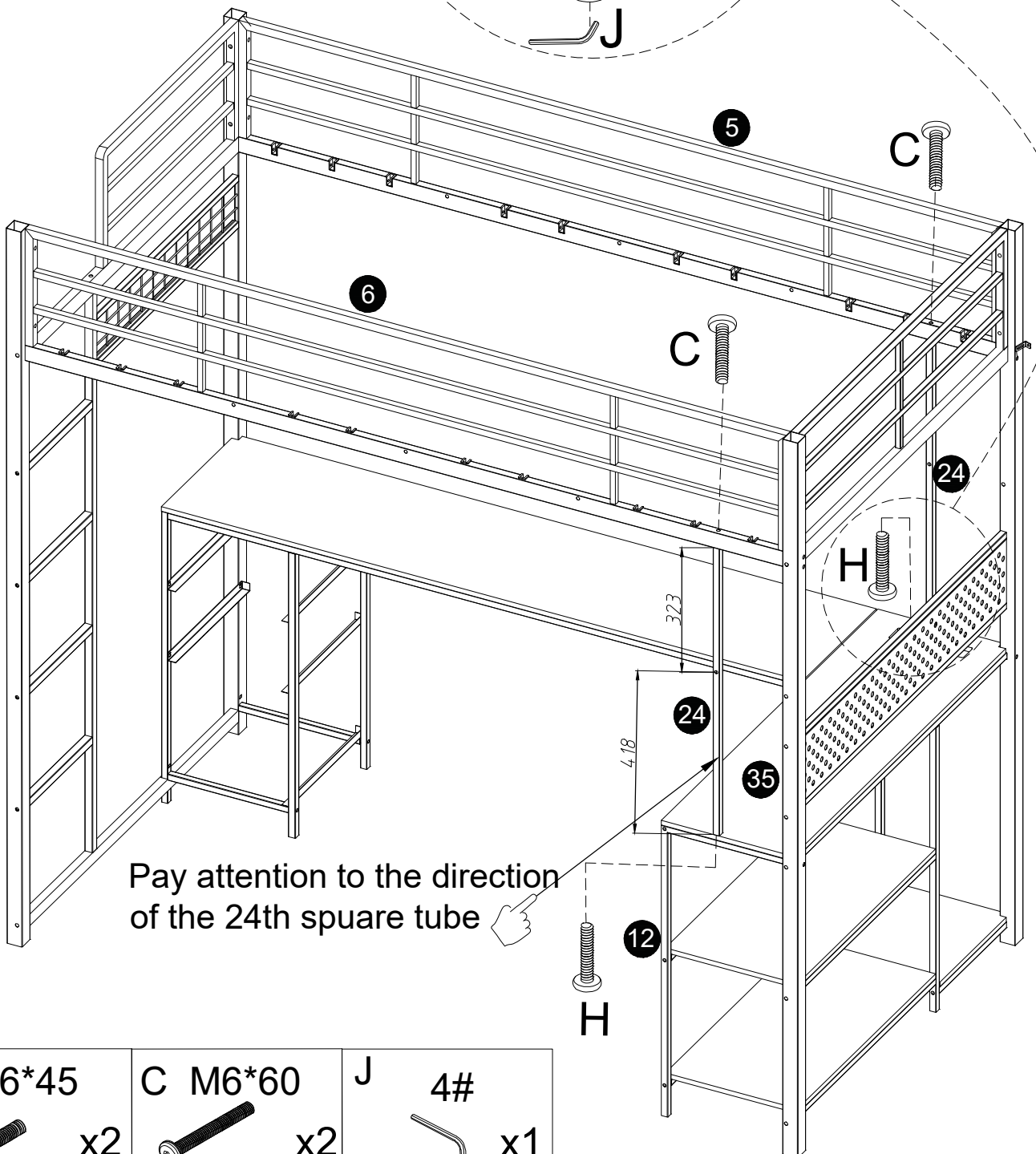
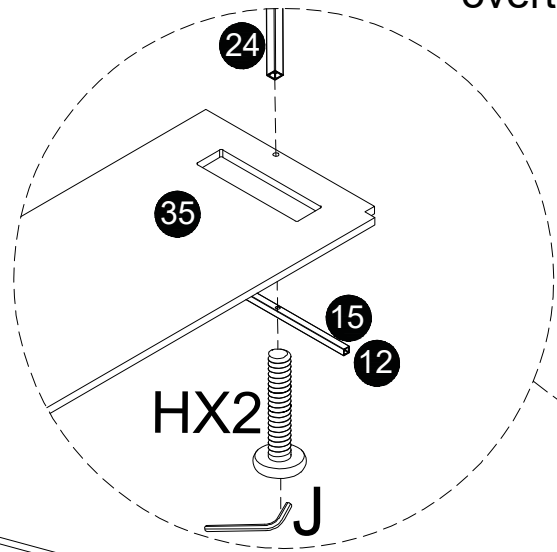
Be careful not to overtighten the screws. Pay attention to the direction of the gap






F M6*25	J	4#
 x8	 x1	



Be careful not to overtighten the screws.

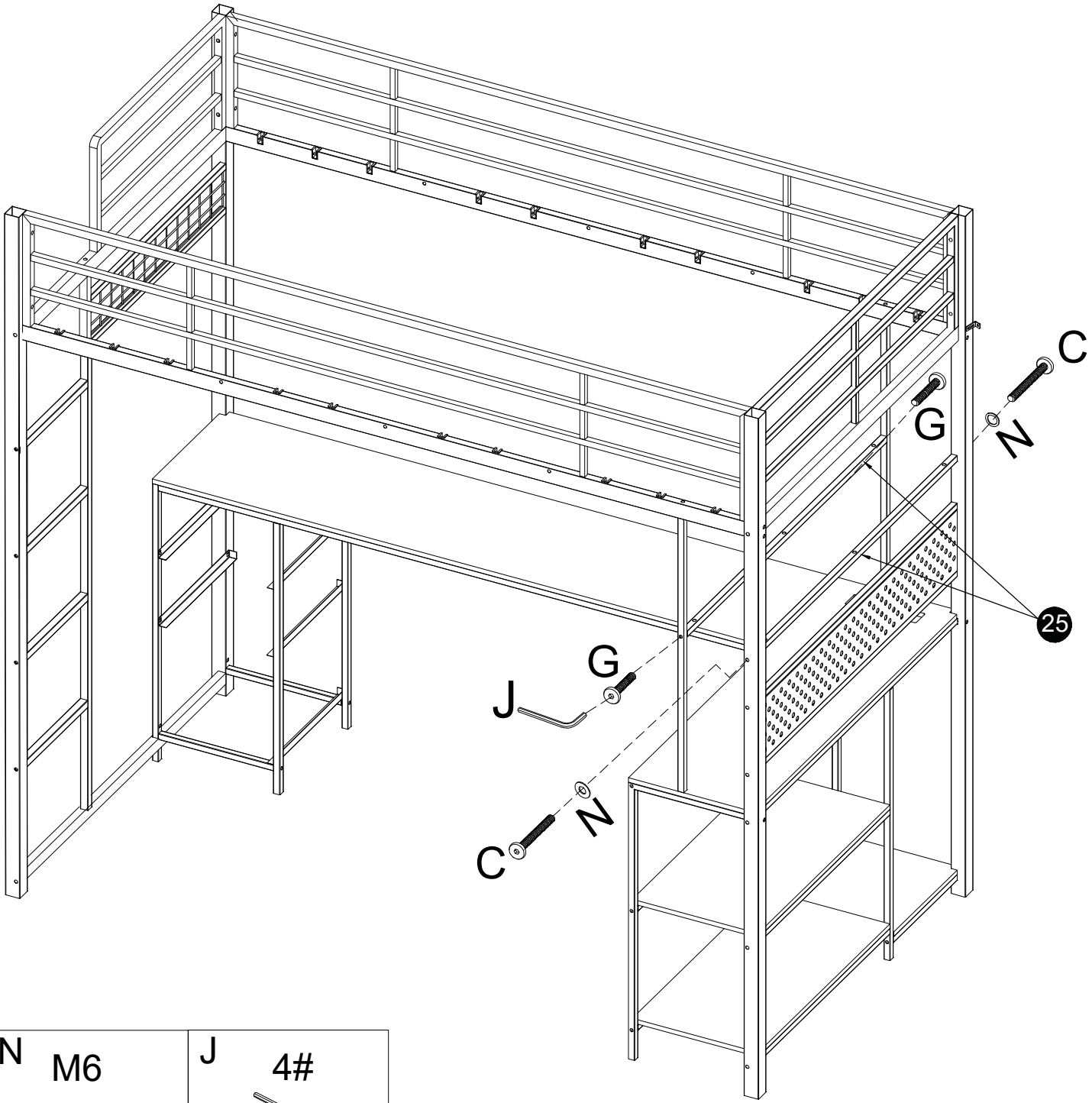






Pay attention to the direction of the 24th square tube

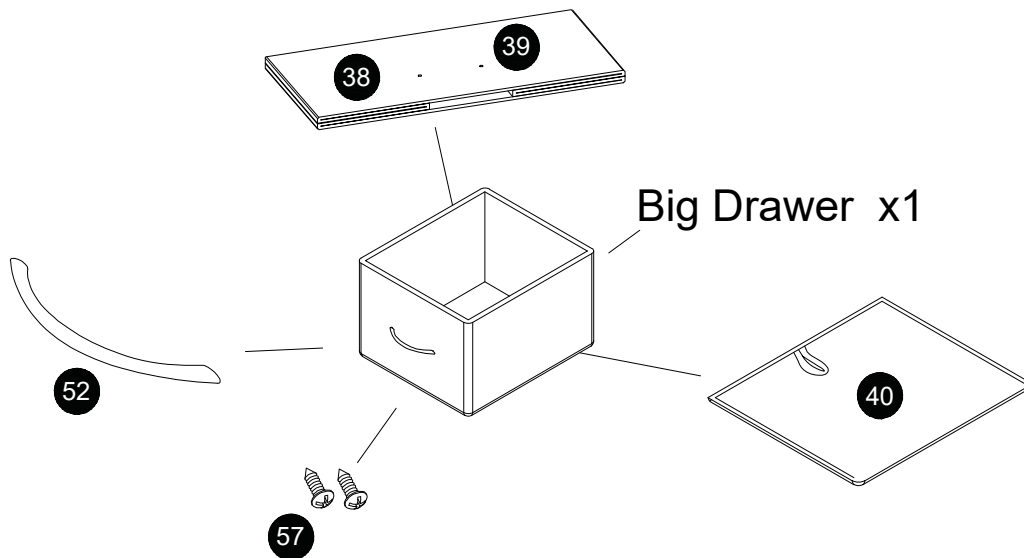
H M6*45	C M6*60	J 4#
 x2	 x2	 x1



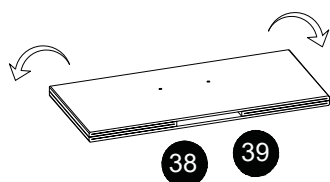
Be careful not to overtighten the screws.



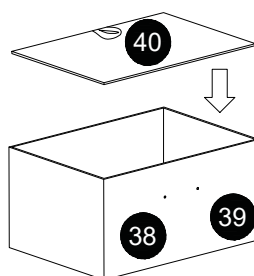
N	M6  x2	J	4#  x1
C	M6*60  x2	G	M6*35  x2



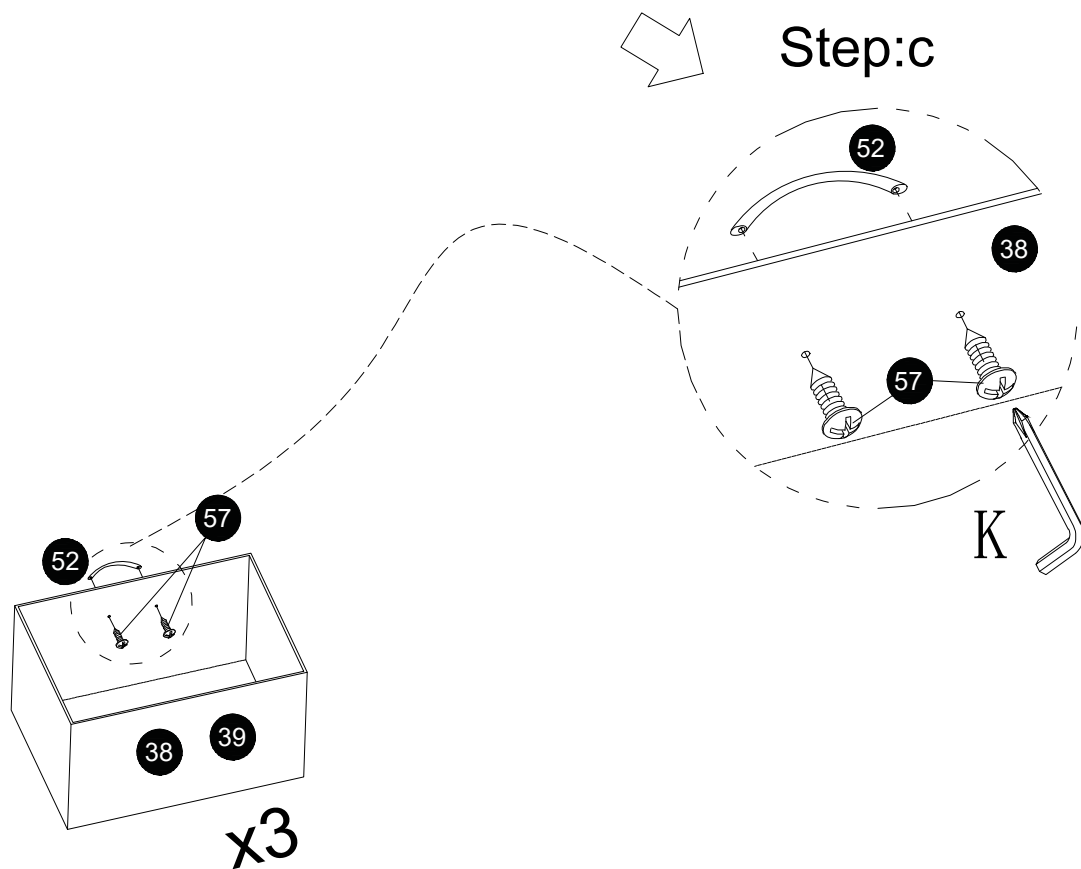
Step:a

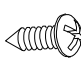



Step:b



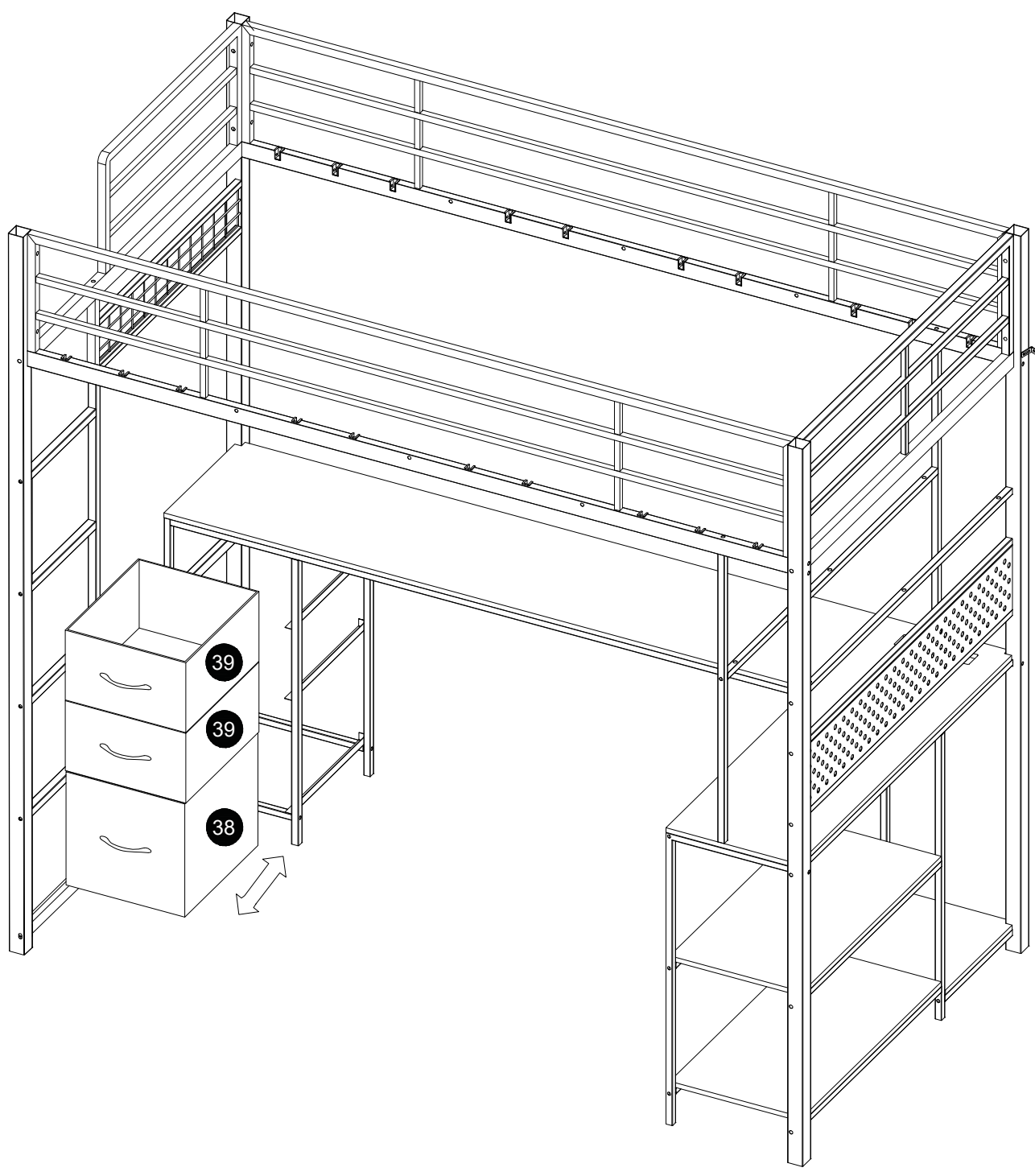
Step:c



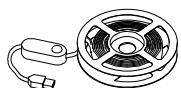
57 M4*10	K	4#
 x6	 x1	



Be careful not to overtighten the screws.



Unfold the light belt



Light Belt

Next

Tear off the end of the tape .Stick it in the position as shown



Light Belt

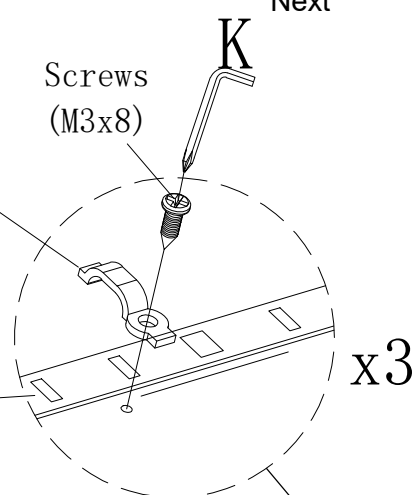
Next

Screws (M3x8)

Buckle

Next

0.95M Light Belt



x3

Light Belt



Screws

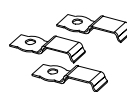


53

Remote control

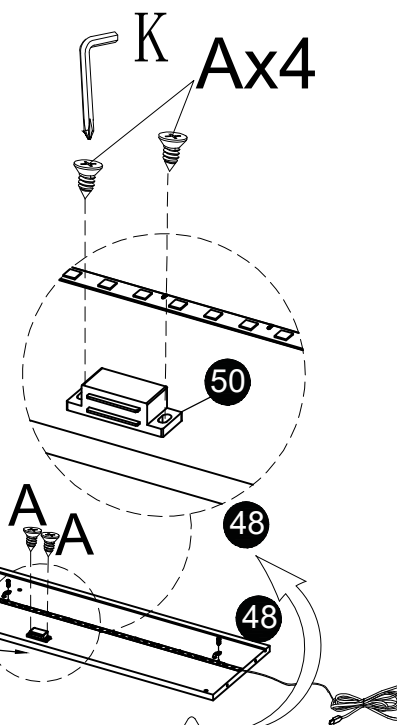


Buckle



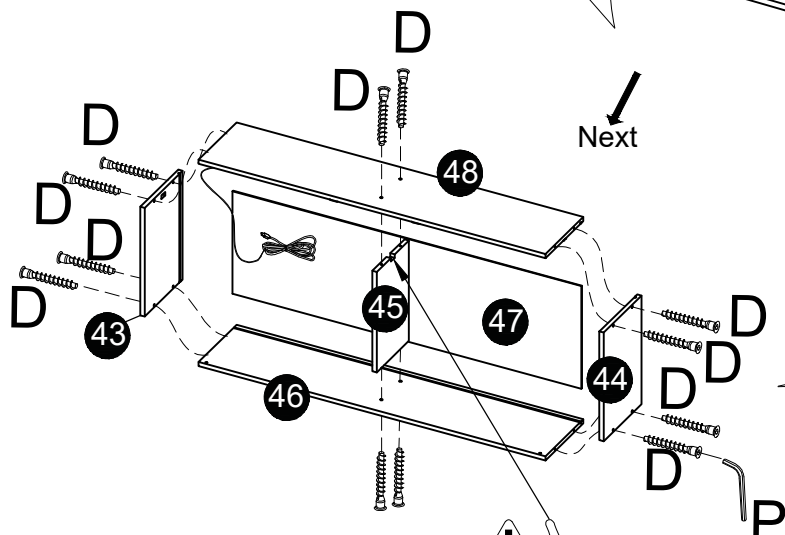
Use Manual of lamp belt

Ax4

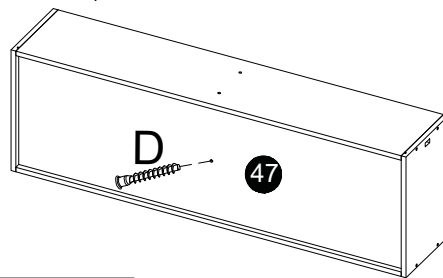


Next

Rotate 180 degrees



Pay attention to the direction of the gap



D M4\*40



x9

A M3\*12



x4

K 4#



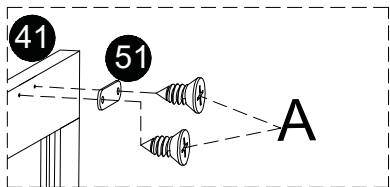
x1

P 3#

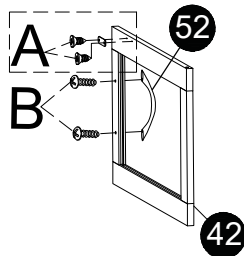
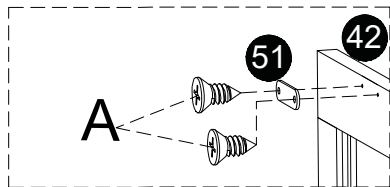
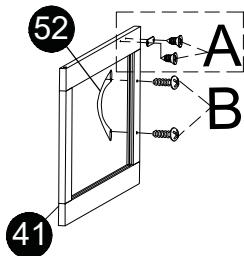



x1



22






Plastic parts



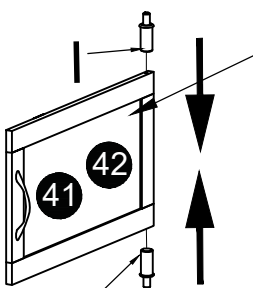
J	4#
	x1

A	M3*12	B	M4*20
	x2		x2

J	4#
	x1

A	M3*12	B	M4*20
	x2		x2

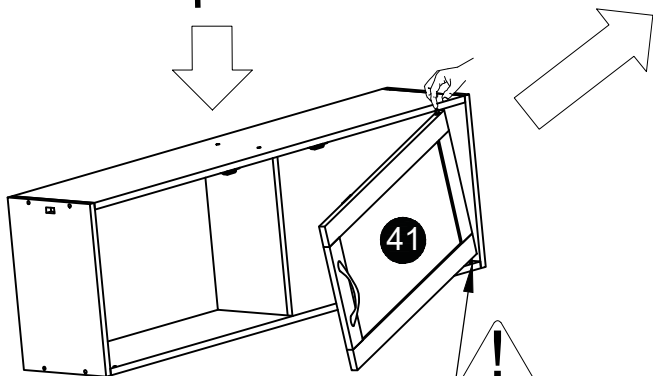
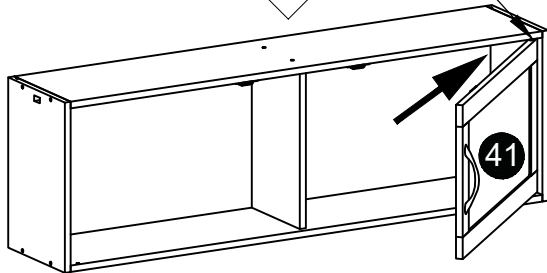
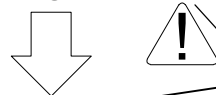
23



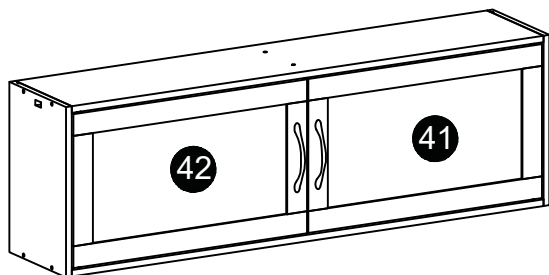
After installation, remove the protective film




Press the upper end of the spring mount again



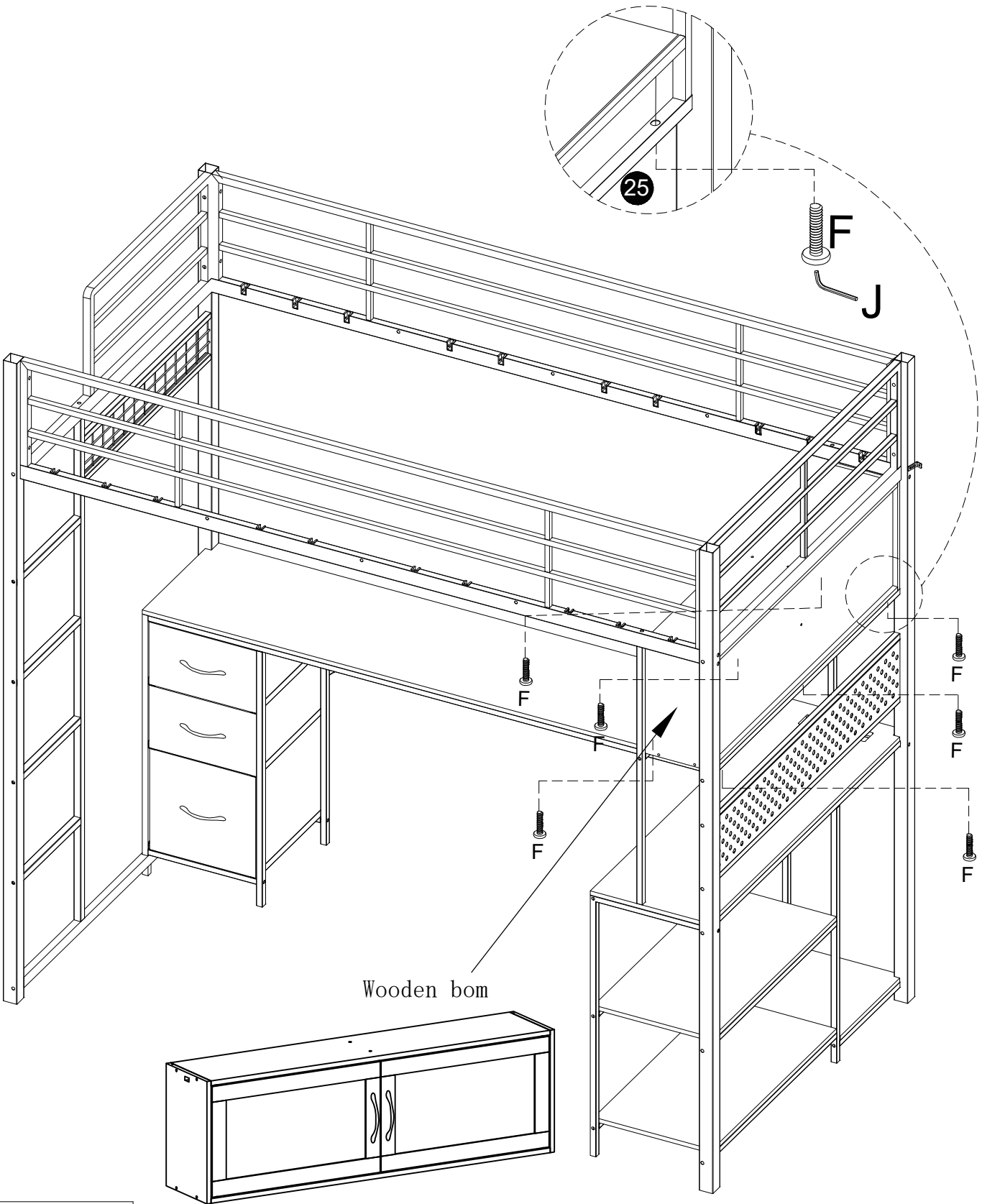
Install one end first.




I	Ø5x17
	x4



Be careful not to overtighten the screws.

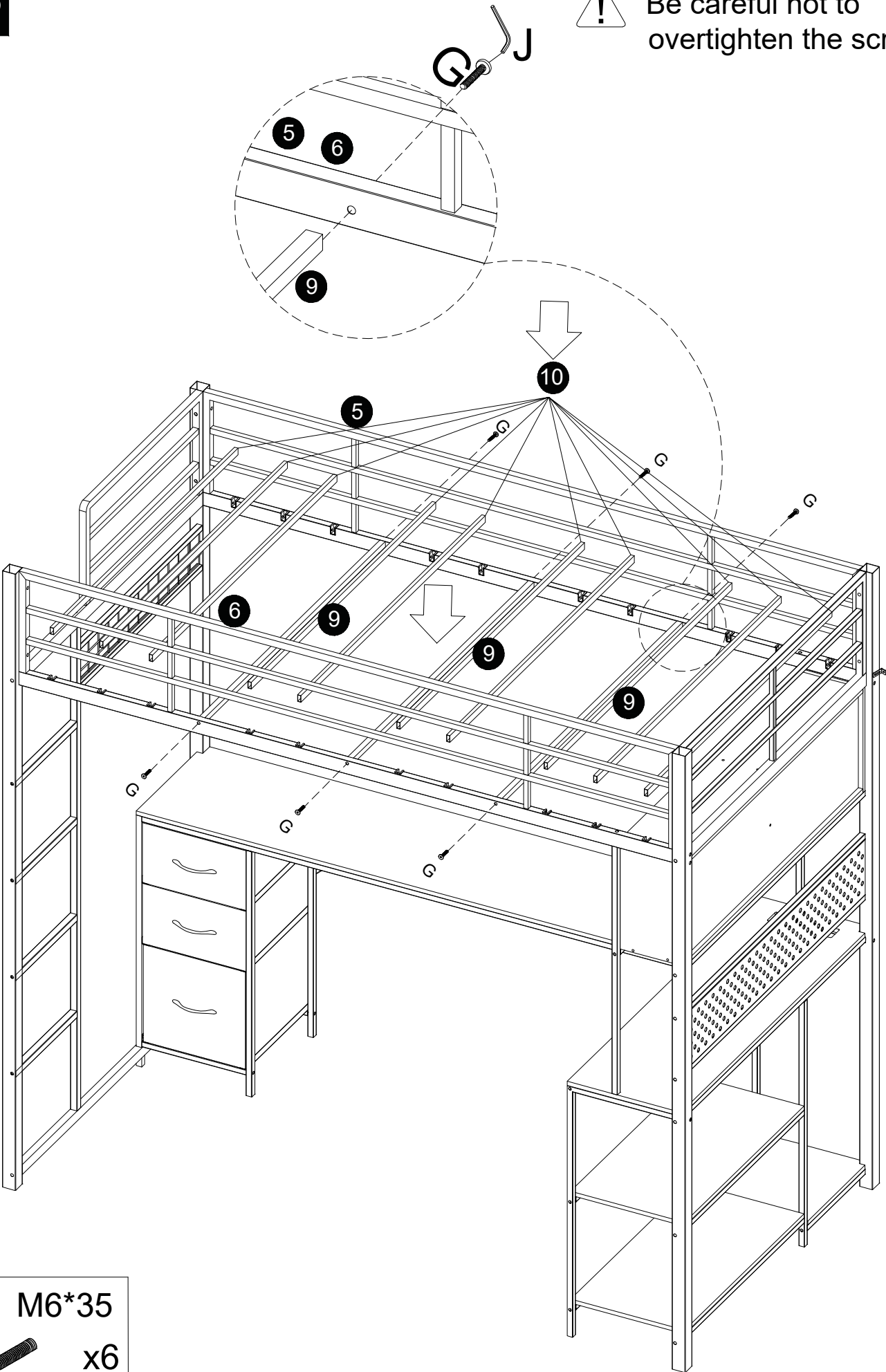



Wooden bom

F M6\*25  
 x6



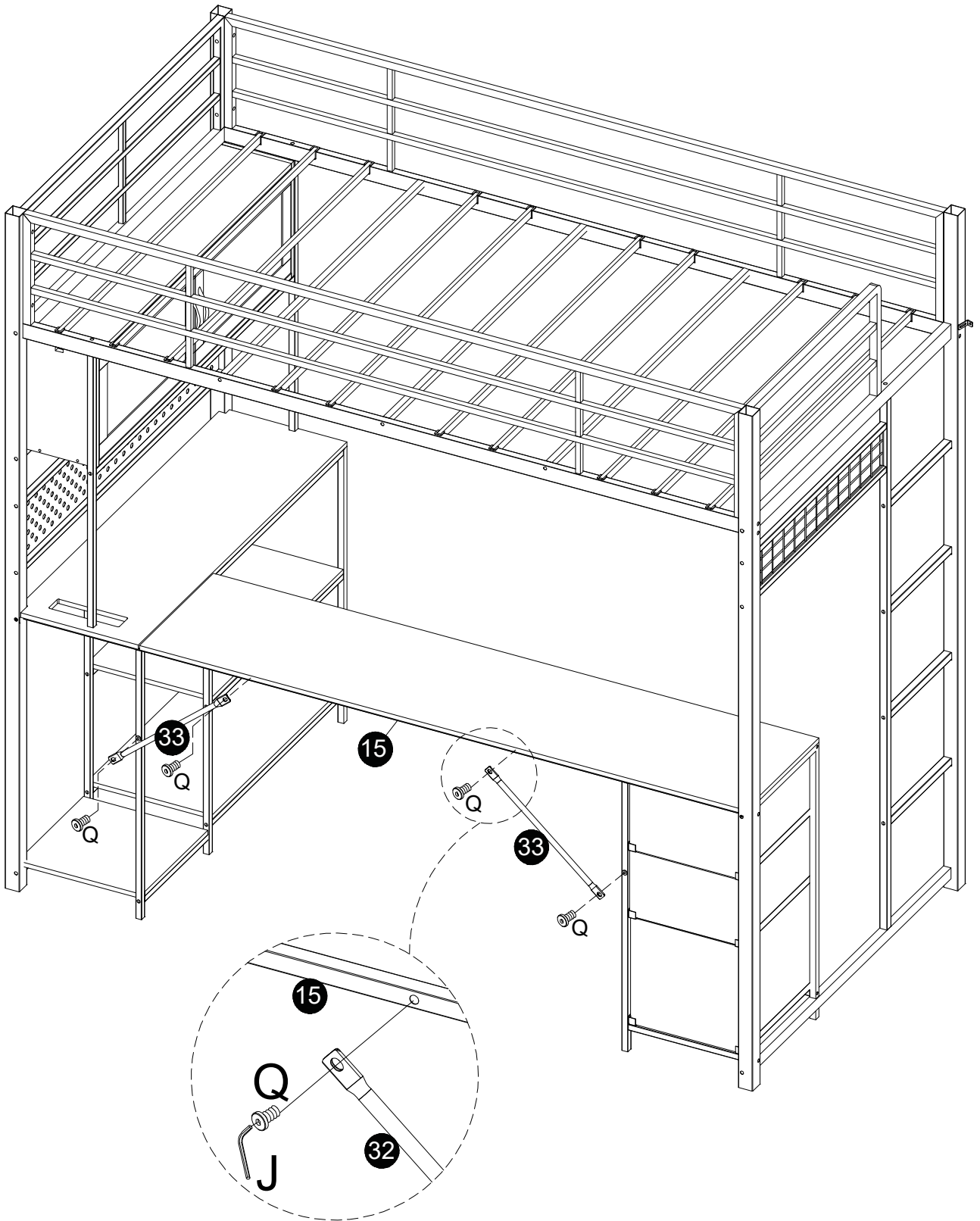
Be careful not to overtighten the screws.




G M6\*35  
 x6



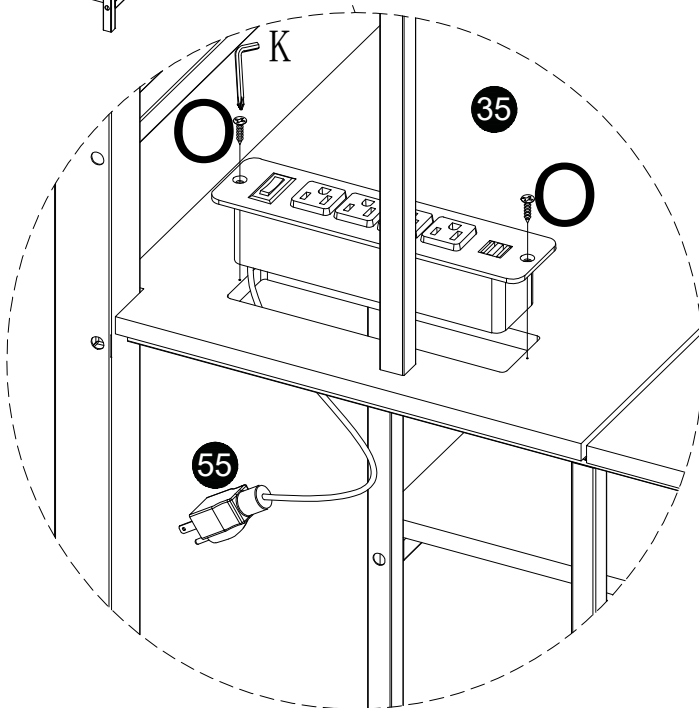
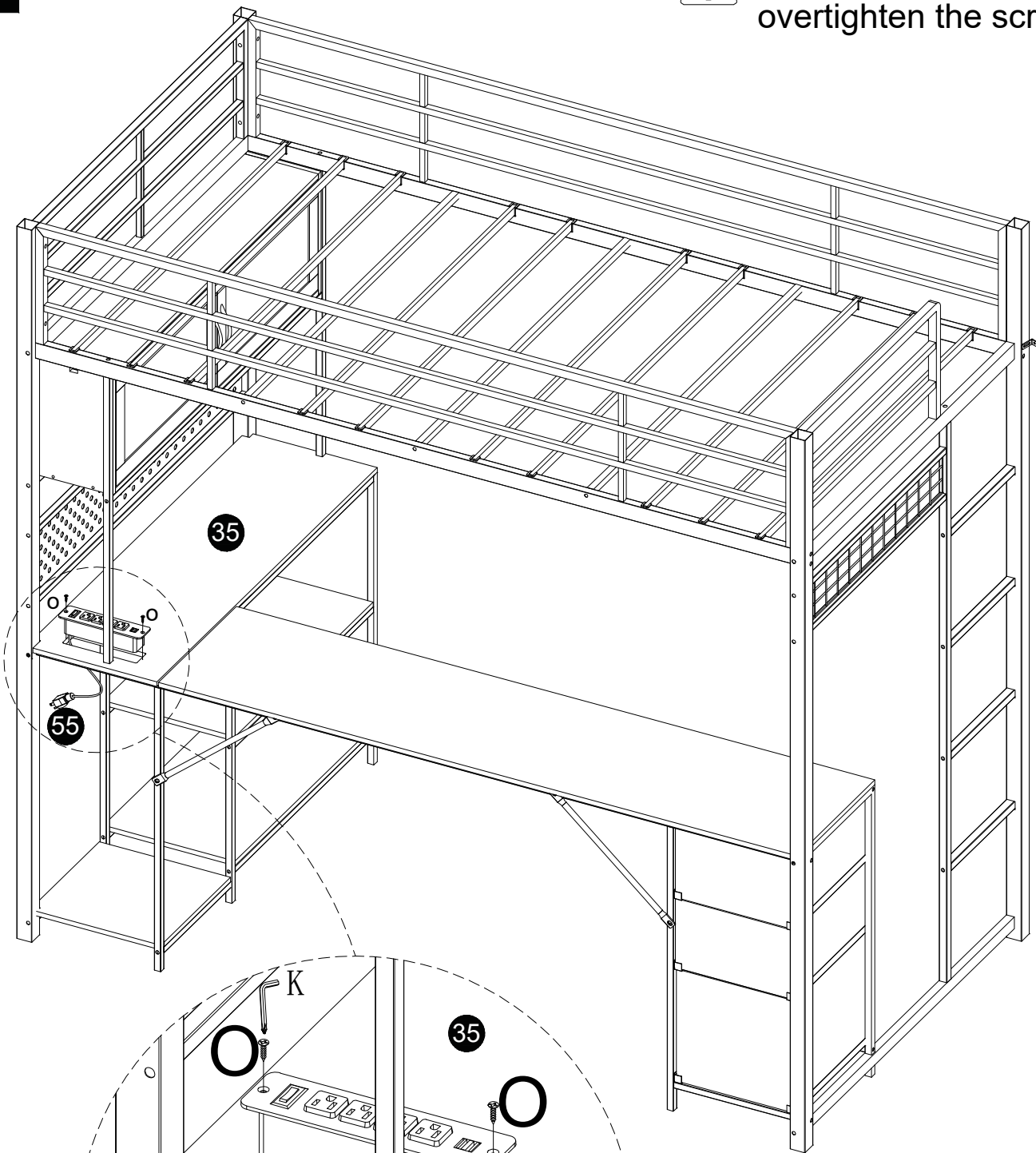
Be careful not to overtighten the screws.




Q M6\*12  
 x4

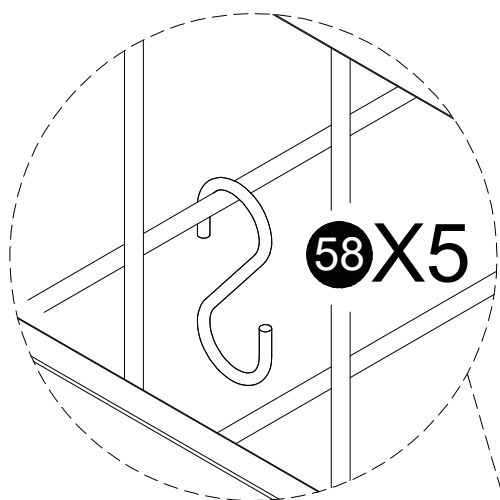


Be careful not to overtighten the screws.

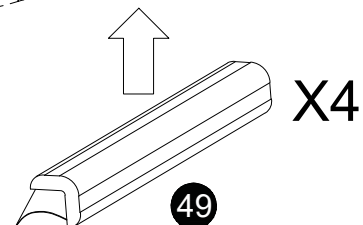
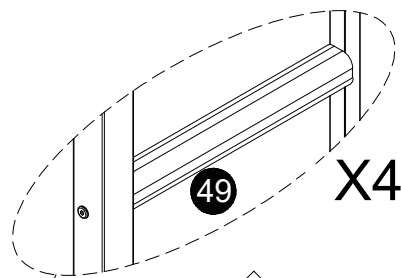


O M4\*10  
 x2

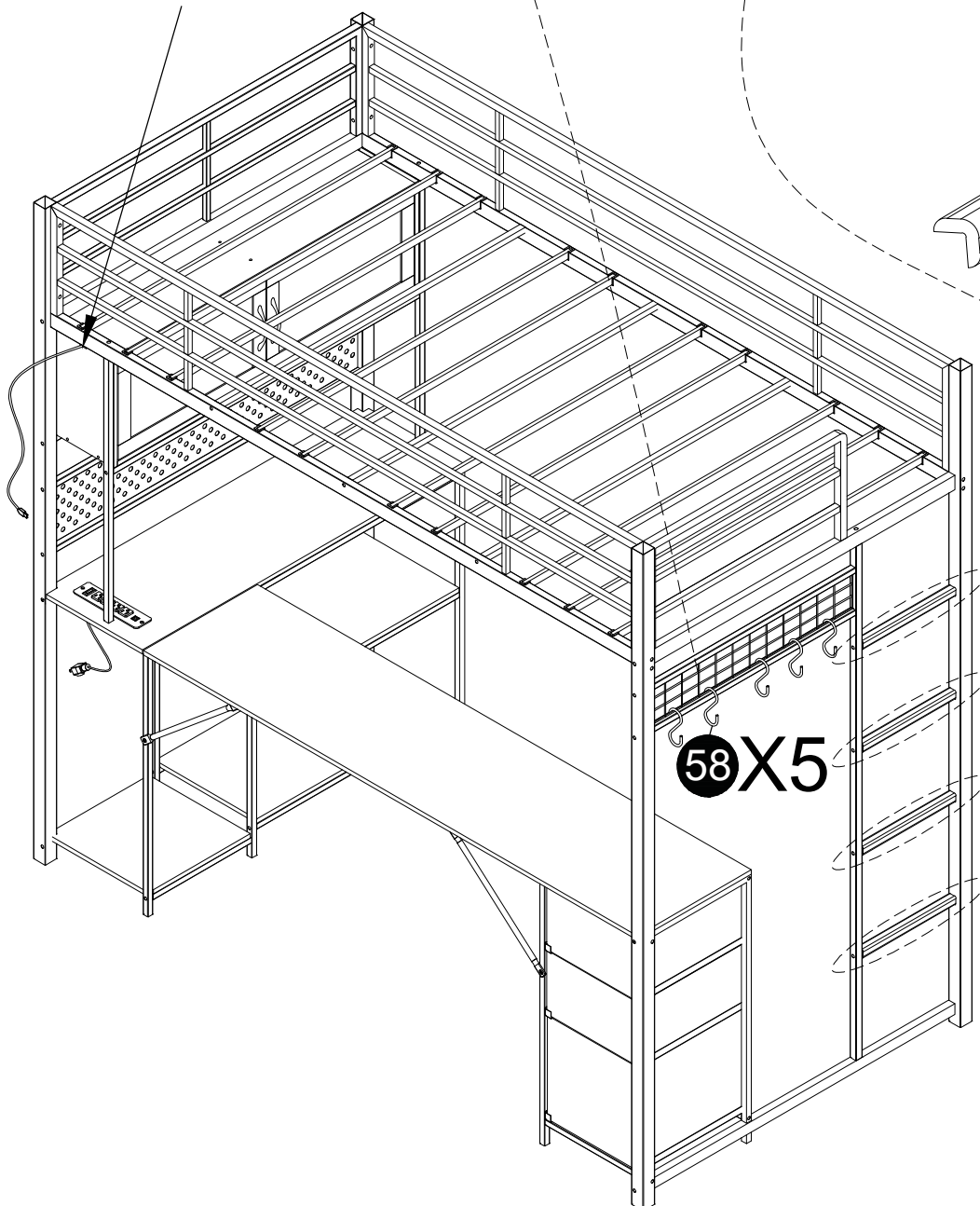
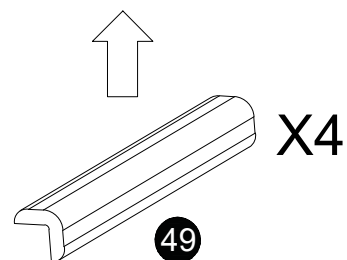
# 28 Positioning



Thread out the light strip wire

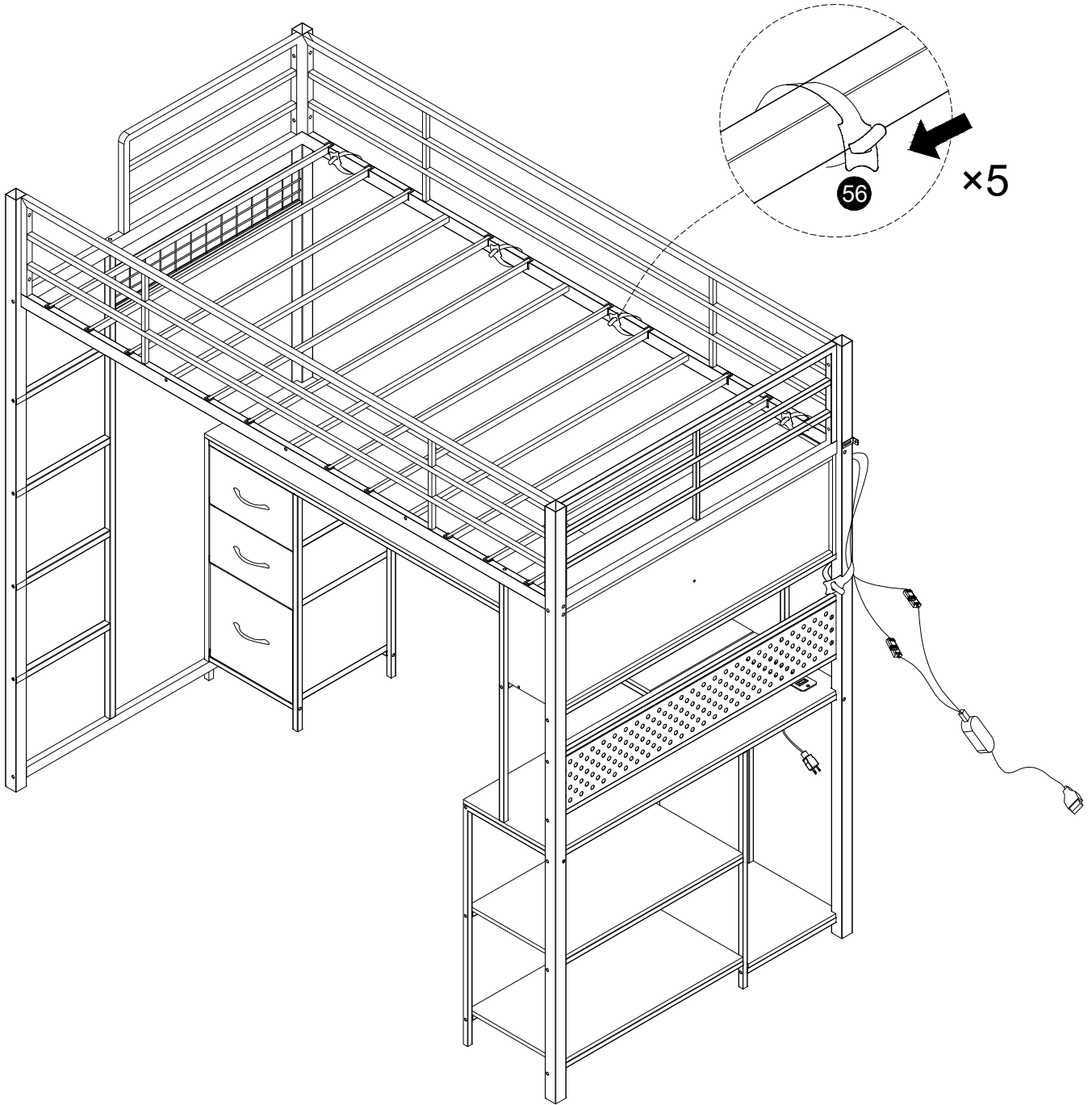


After tearing the tape off the sponge, attach the sponge to the stair tube

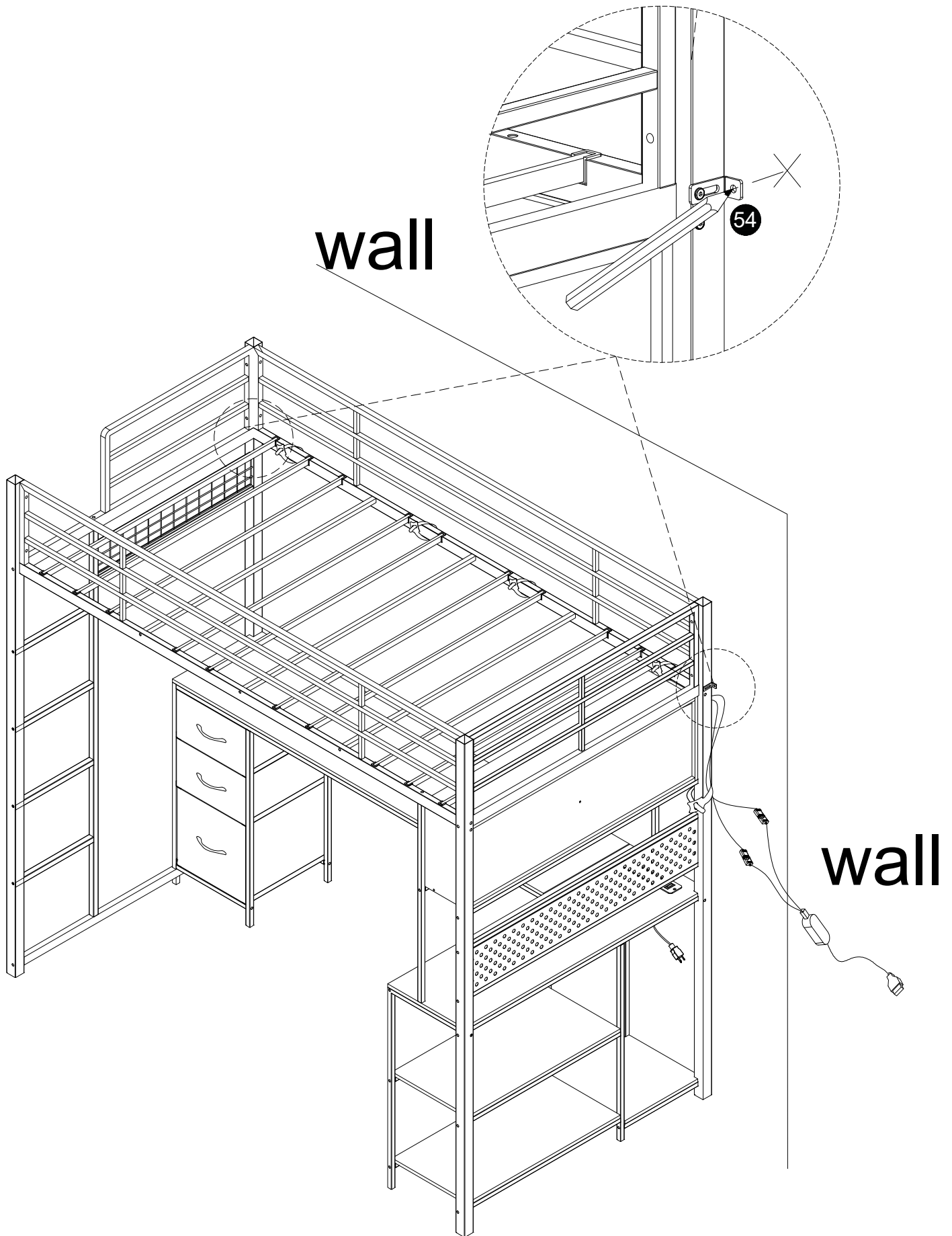




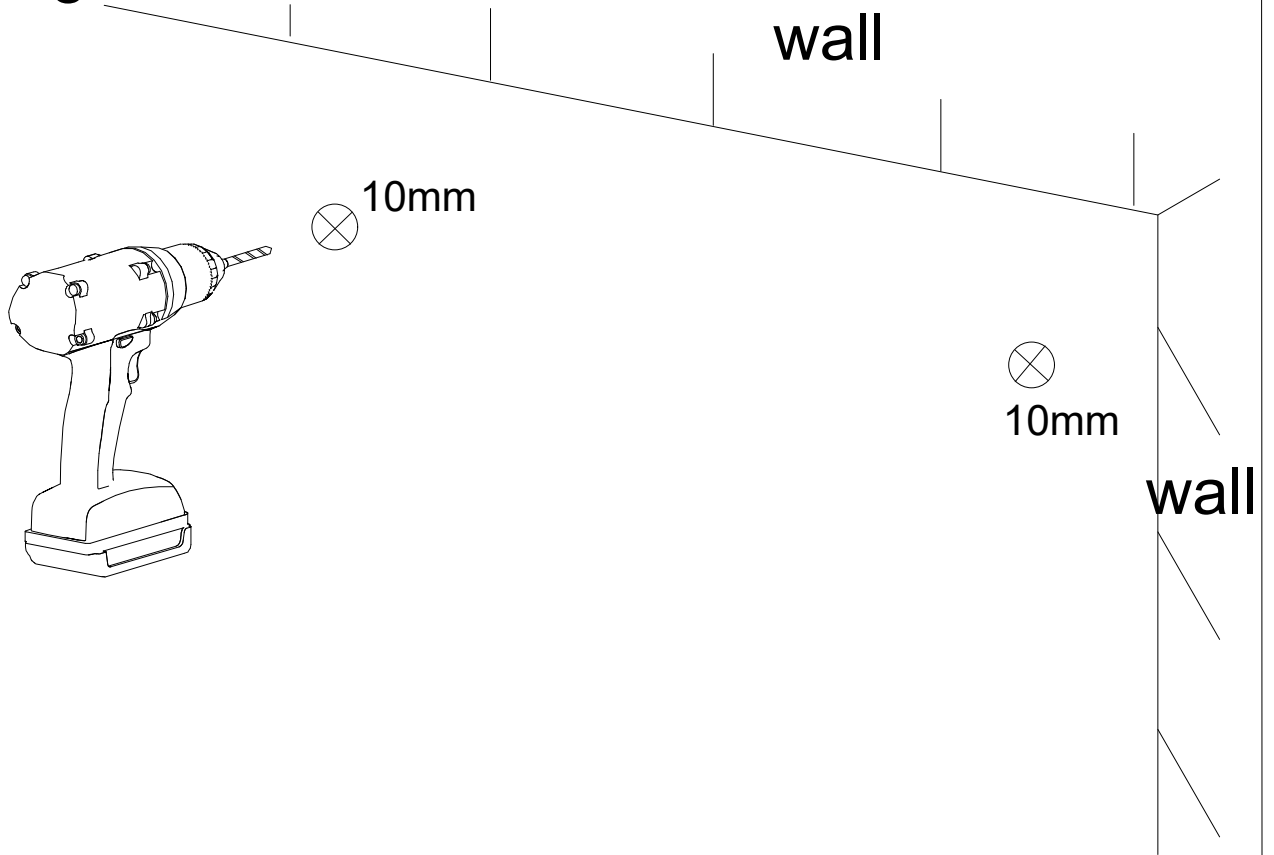
# 30 Positioning



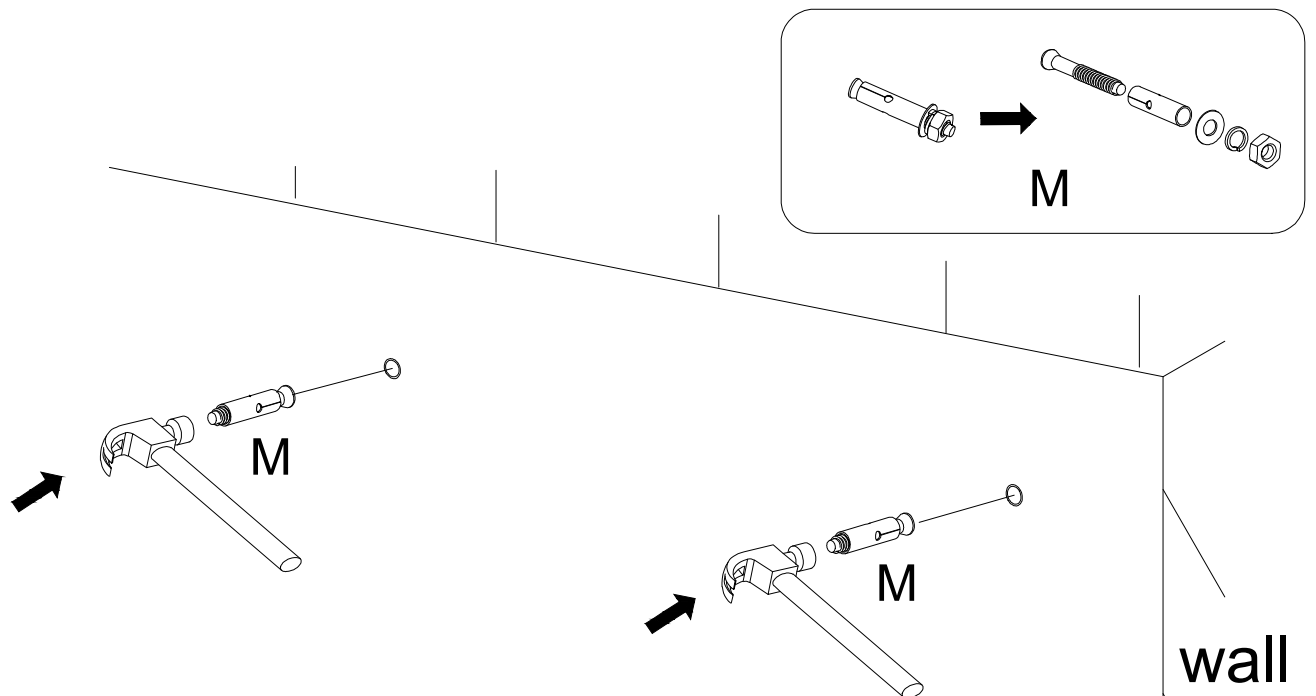
# 31 Positioning



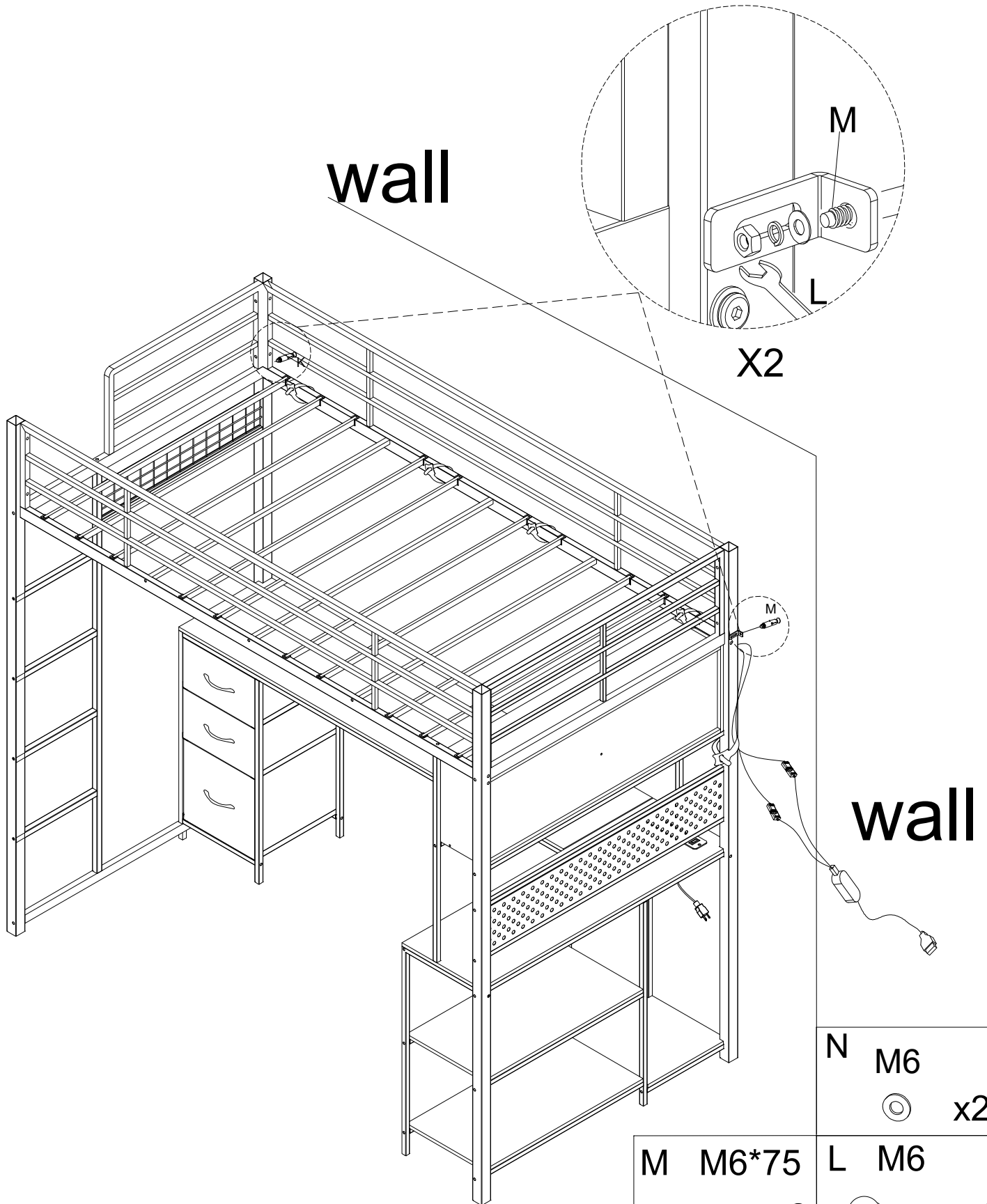
# 32 Drilling



# 33




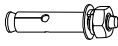

**Please lock the expansion screw onto the wall.**



wall

X2

wall

N	M6		
		x2	
M	M6*75	L	M6
	x2		x1