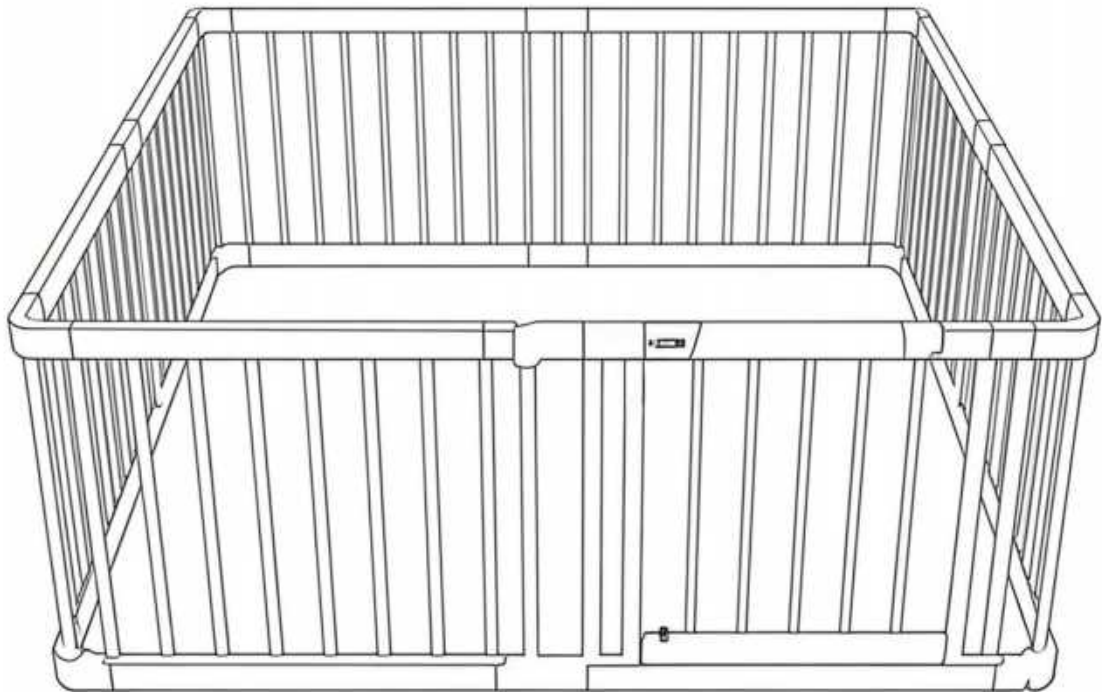


USER MANUAL

Wooden Fence Instruction Manual



**Before using this product, please carefully read the instruction manual to avoid incorrect usage.
Keep the manual for future reference.**

Safety Precautions for Wooden Fence

To maintain a safe environment for children and to prevent any accidents, it is crucial to follow these safety precautions when using a wooden fence.

1. Adult Supervision: Always ensure that an adult is present and supervising children when the fence is in use. This supervision is necessary during the assembly, use, and disassembly of the fence.

2. Proper Assembly: Carefully follow the provided assembly instructions to ensure the fence is assembled correctly and securely. Incorrect assembly can result in instability and potential collapse of the fence.

3. Inspect Before Use: Conduct a thorough inspection of the fence before each use to check for any signs of damage, wear, or loose parts. If any issues are found, do not use the fence until it is repaired or replaced.

4. Avoid Rough Play: Teach children not to engage in rough play such as climbing, jumping, or pushing against the fence. Such actions can cause the fence to become unstable and potentially fall over.

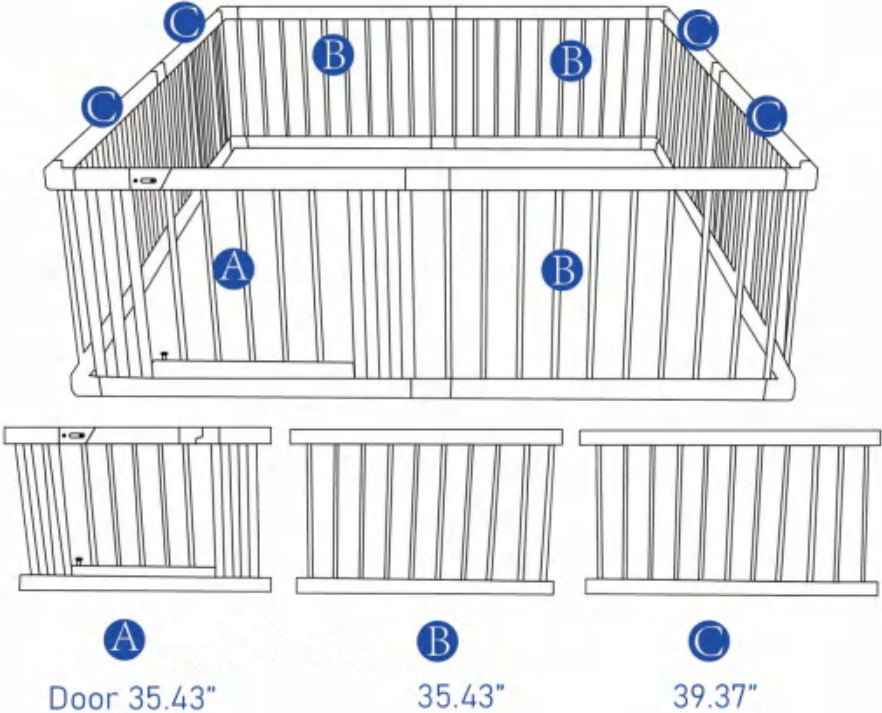
5. Maintenance: Regularly maintain the fence according to the care instructions provided. Proper maintenance helps to ensure the fence remains safe and functional.

6. Environmental Conditions: Avoid using the fence in adverse weather conditions like high winds or heavy rain, as these conditions can affect the stability of the fence.

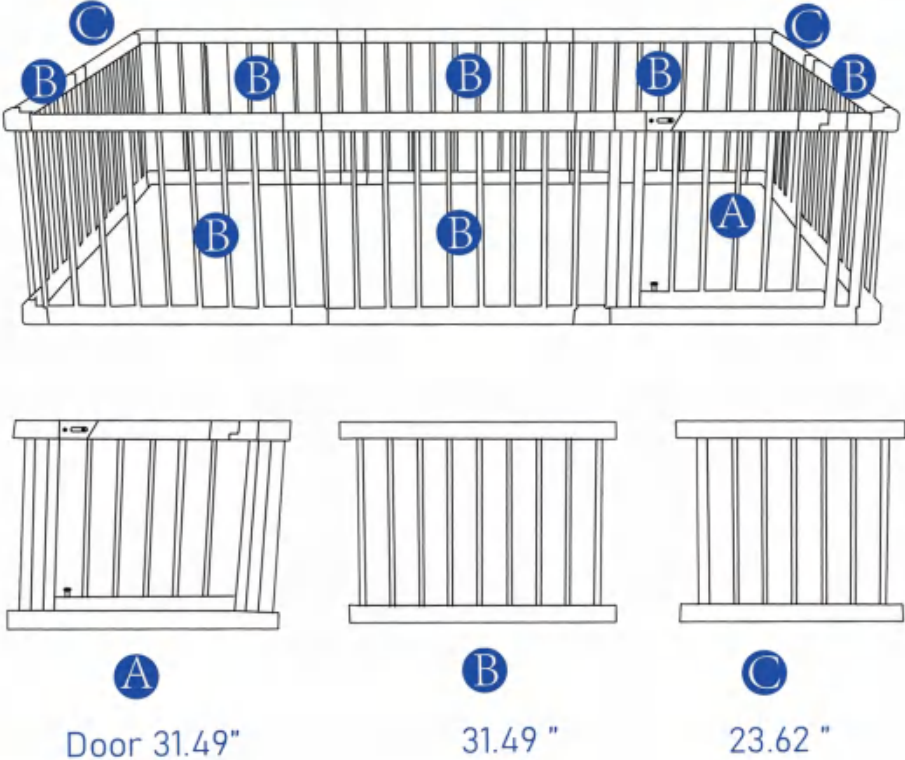
7. Keep Away from Edges: Place the fence away from any edges such as stairs, ledges, or elevated surfaces to prevent children from falling from heights.

By adhering to these safety precautions, you can significantly reduce the risk of accidents and ensure a safe play environment for children using the wooden fence. Failure to comply with these warnings can lead to serious injuries or accidents. Always prioritize safety and exercise caution when using this type of equipment.

Wooden Fence

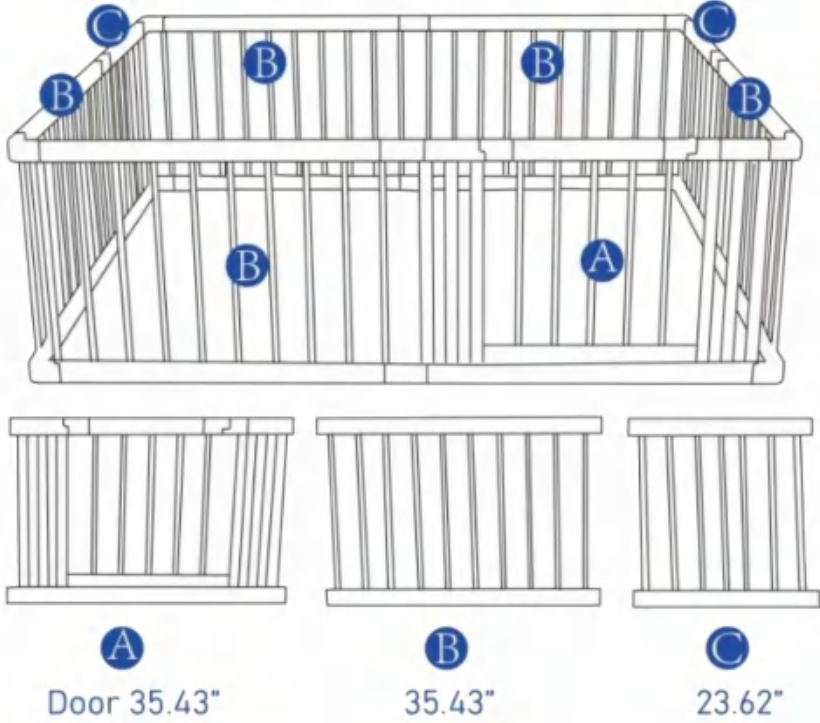


78.7"*70.9"*24"
Model: DK1820

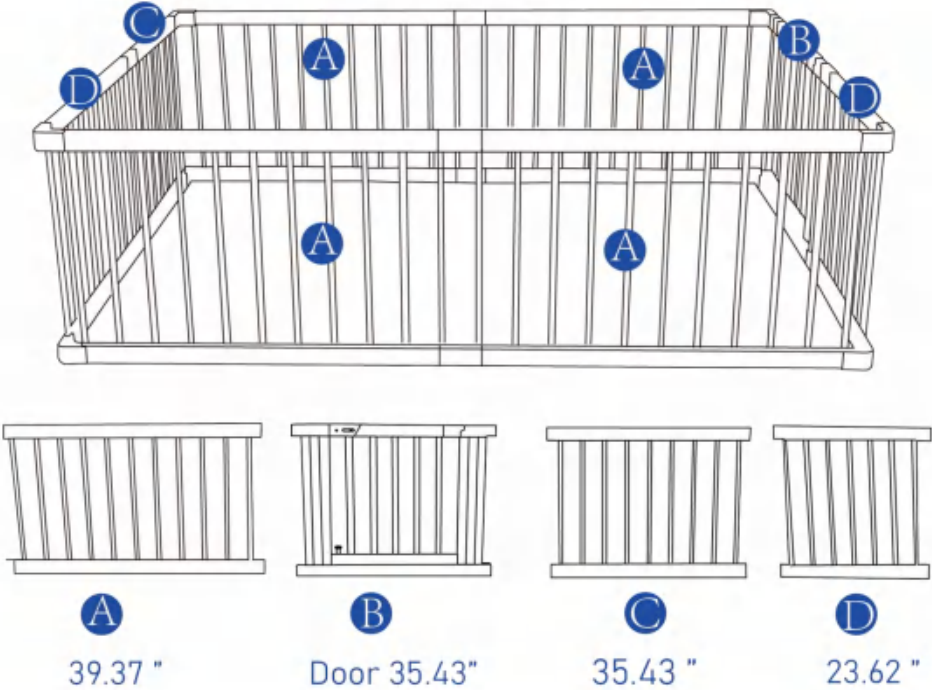


94.5"*55.1"*24"
Model: DK1424

Wooden Fence

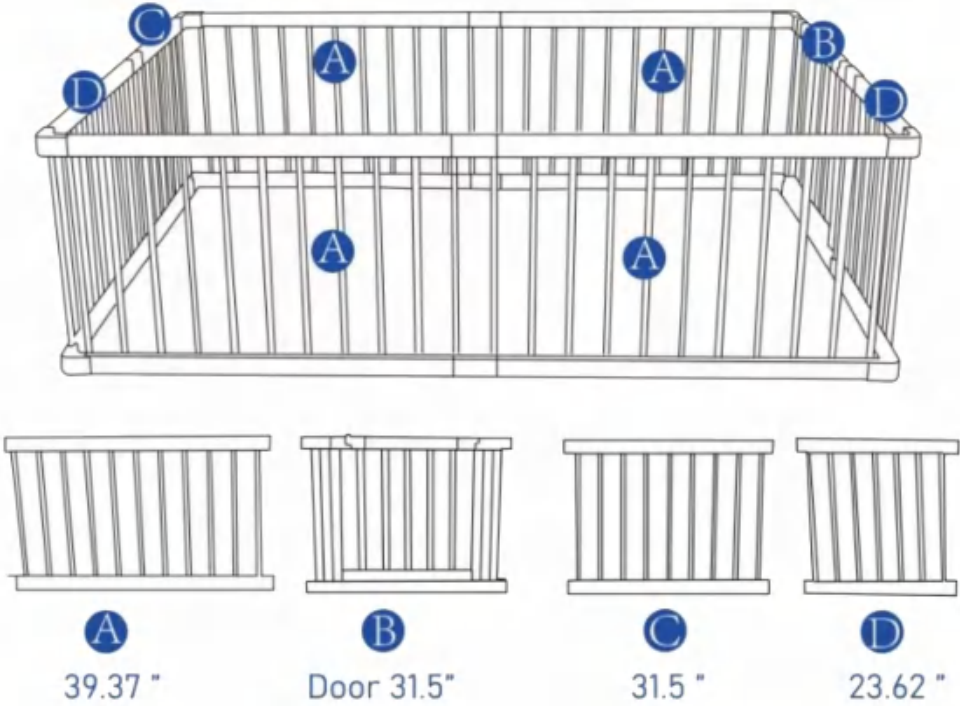


70.9" * 59.1" * 24"
Model: DK1518

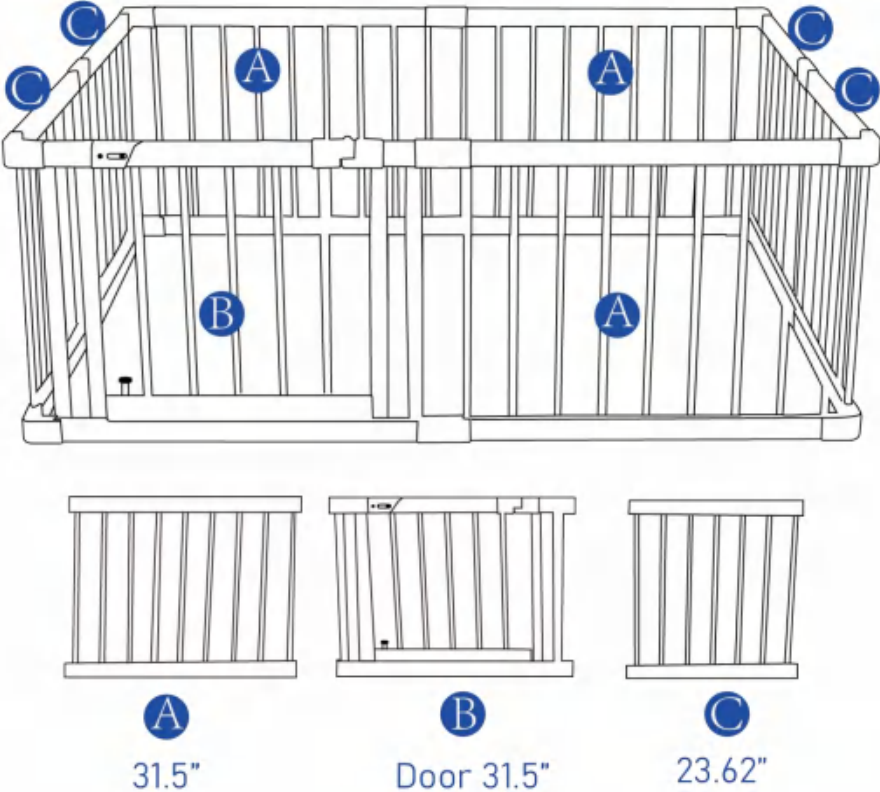


78.7" * 59.1" * 24"
Model: DK1520

Wooden Fence

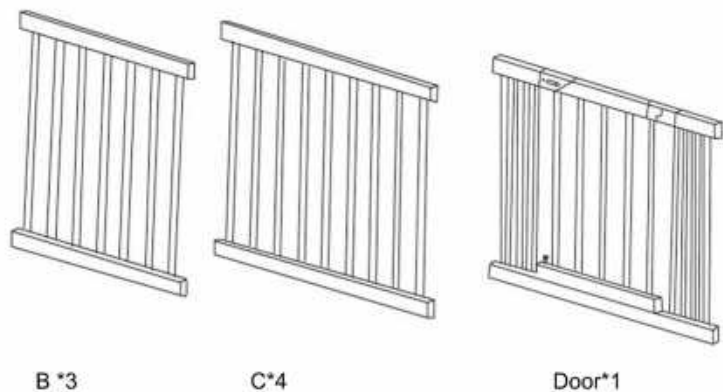


78.7"*55.1*24"
Model: DK1420



63"*47.2" *24"
Model: DK1216

78.7" *70.9" *24" Model:DK1820



bent Connector* 8



Anti-tilt belt

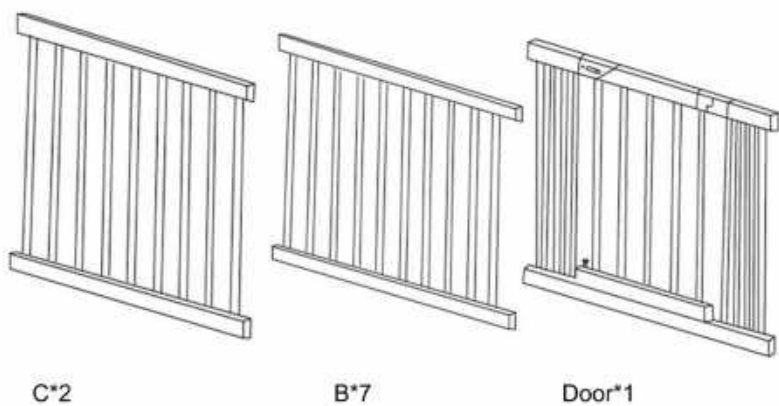


Straight Connector* 8



Anti-slip sticker

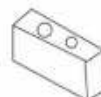
94.5" *55.1" *24" Model: DK1424



bent Connector* 8



Anti-tilt belt

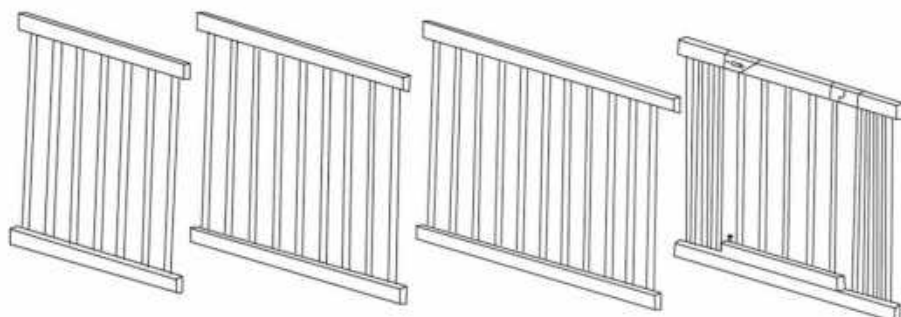


Straight Connector* 12



Anti-slip sticker

78.7" *59.1" *24" Model:DK1520



D*2

C*1

A*4

Door*1



bent Connector* 8



Anti-tilt belt

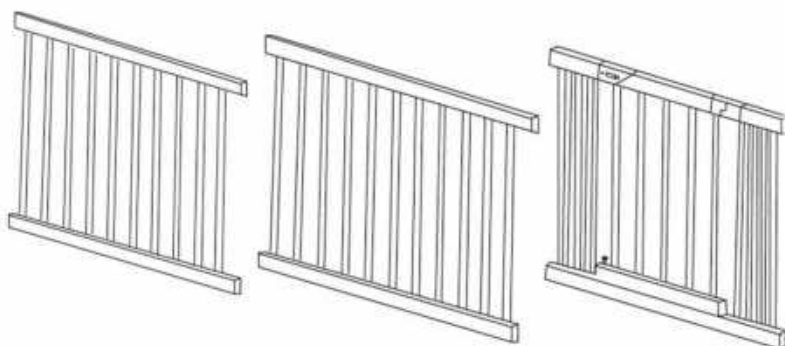


Straight Connector* 8



Anti-slip sticker

70.9" *59.1" *24" Model: DK1518



C*2

B*5

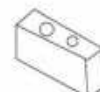
Door*1



bent Connector* 8



Anti-tilt belt

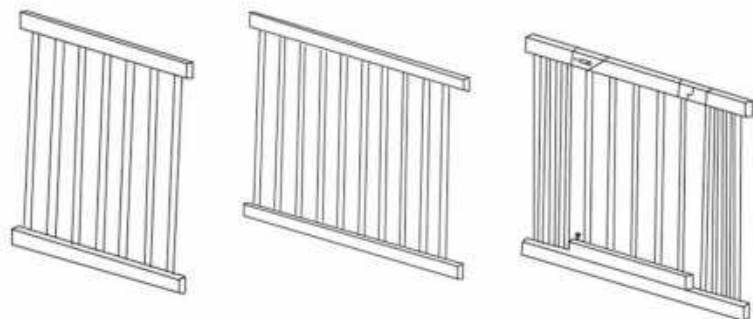


Straight Connector* 8



Anti-slip sticker

63"* 47.2" *24" Model: DK1216



C* 4

A*3

Door*1



bent Connector* 8



Anti-tilt belt

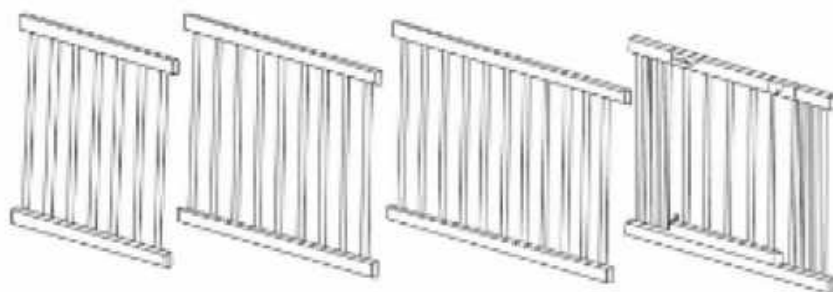


Straight Connector* 8



Anti-slip sticker

78.7"*55.1*24" Model: DK1420



A*4

C*1

D*2

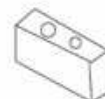
Door*1



bent Connector* 8



Anti-tilt belt

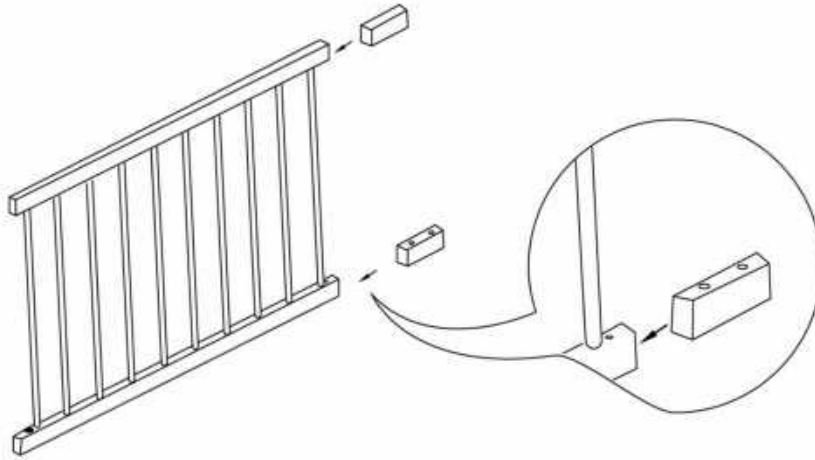


Straight Connector* 8

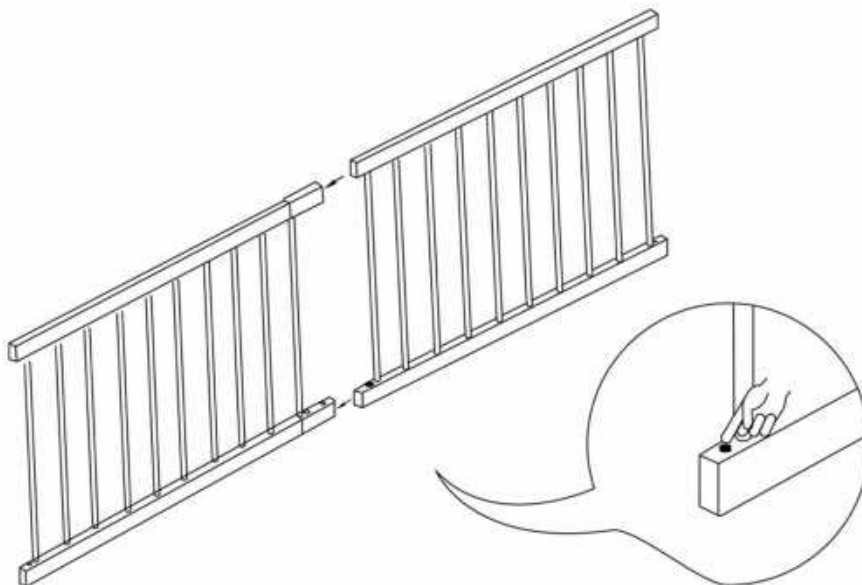


Anti-slip sticker

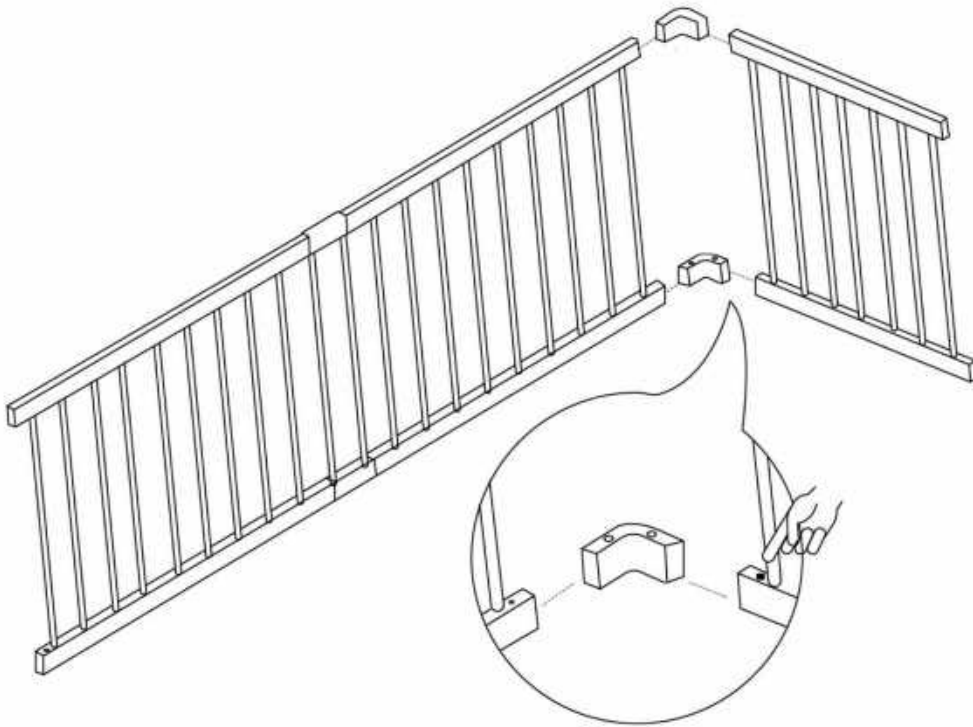
Before assembly, please confirm whether the parts in the packaging are complete. If any panel are lost, broken, or damaged, please feel free to contact our customer support for assistance. OR EMAIL US directly via customer service email: info@ggffhome.com



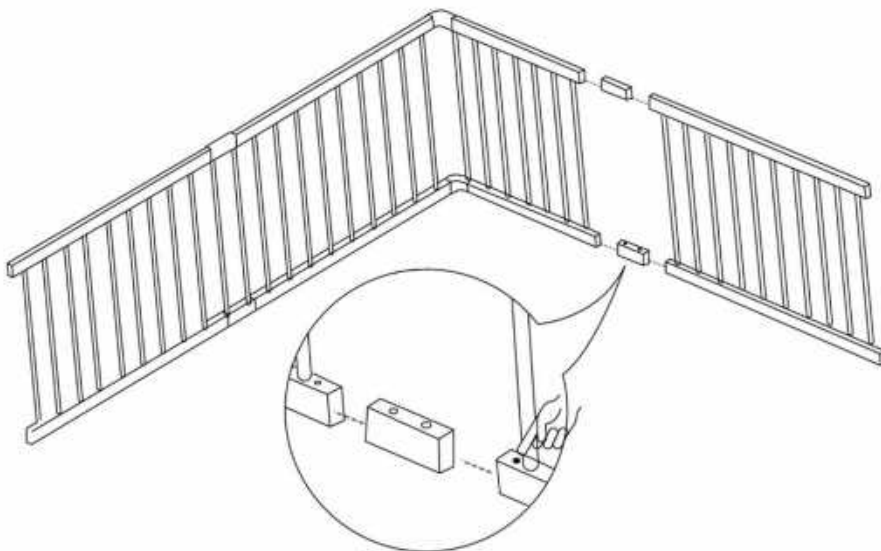
Step1: Press the button and install the upper and lower straight connectors properly.



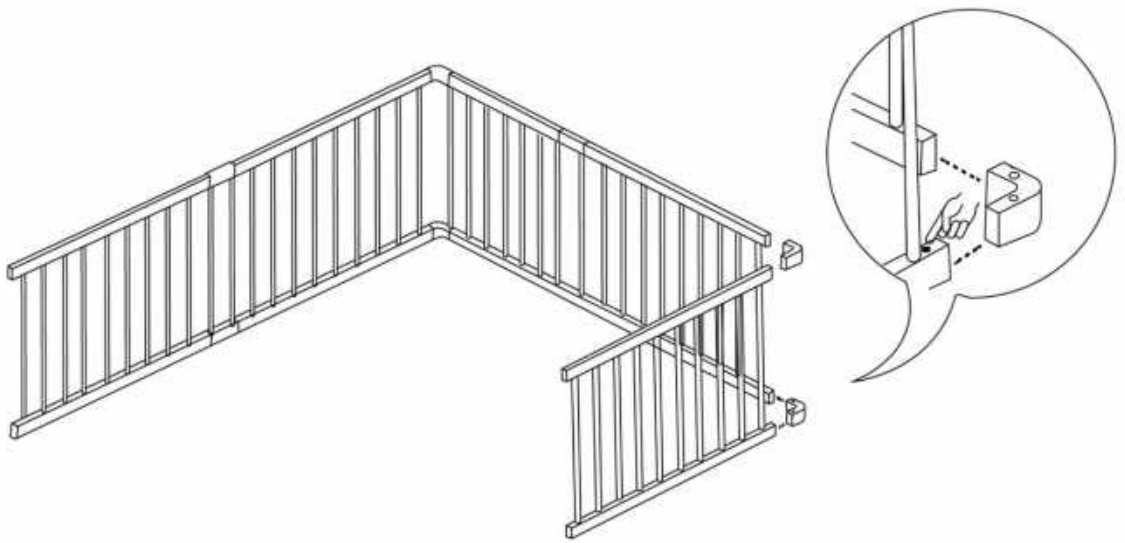
Step2: Press the latch to connect panel, and ensure you select the correct panel according to the model.



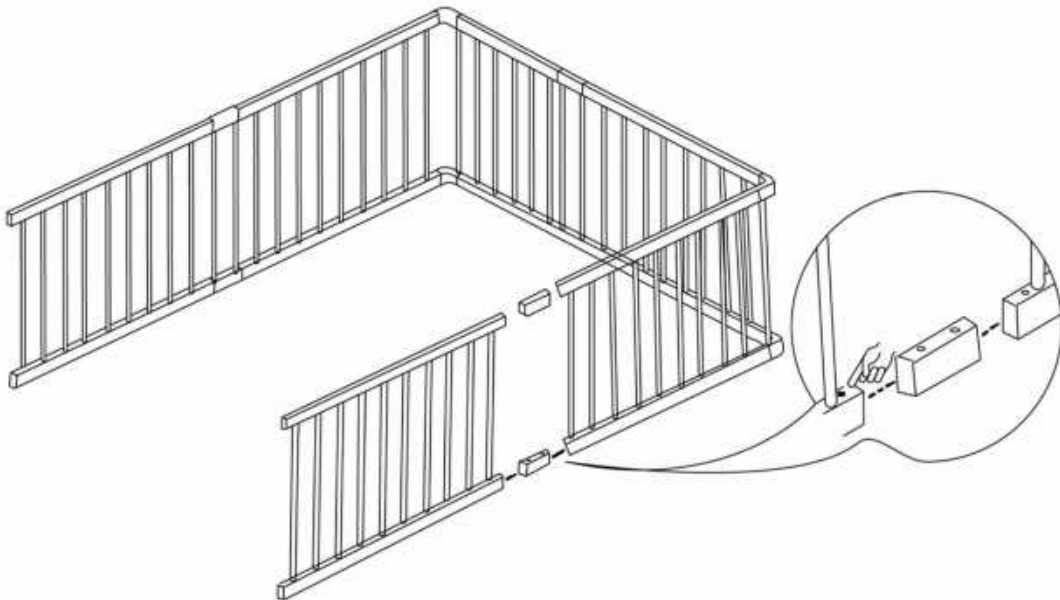
Step3: Install the upper and lower bent connectors and attach the panel securely.



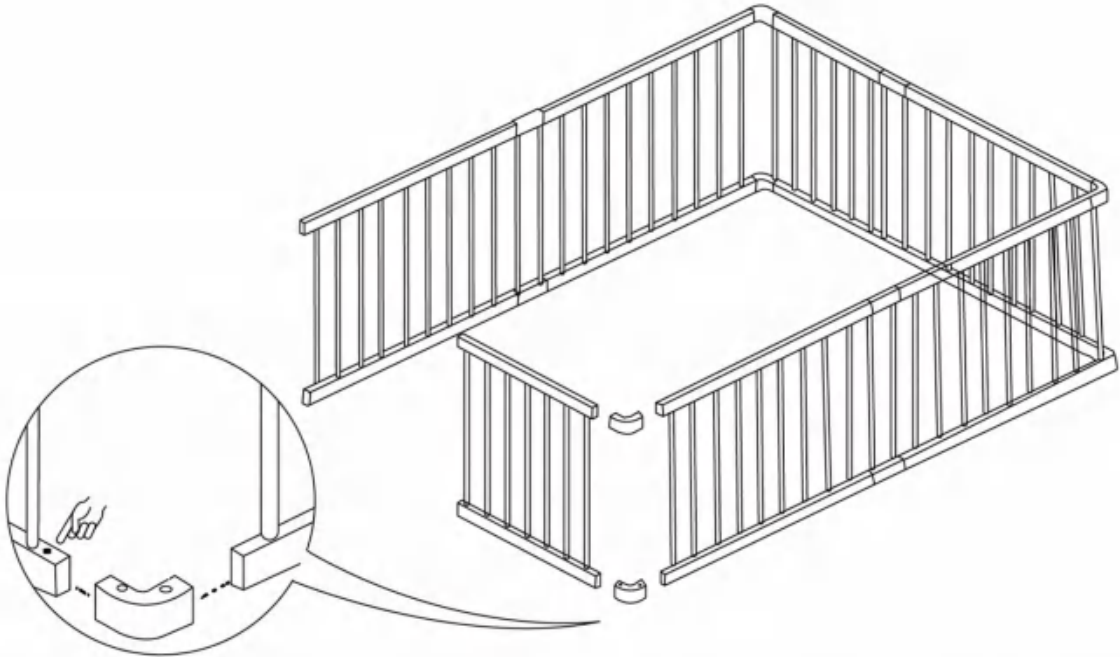
Step4: Repeat the above steps for installation.



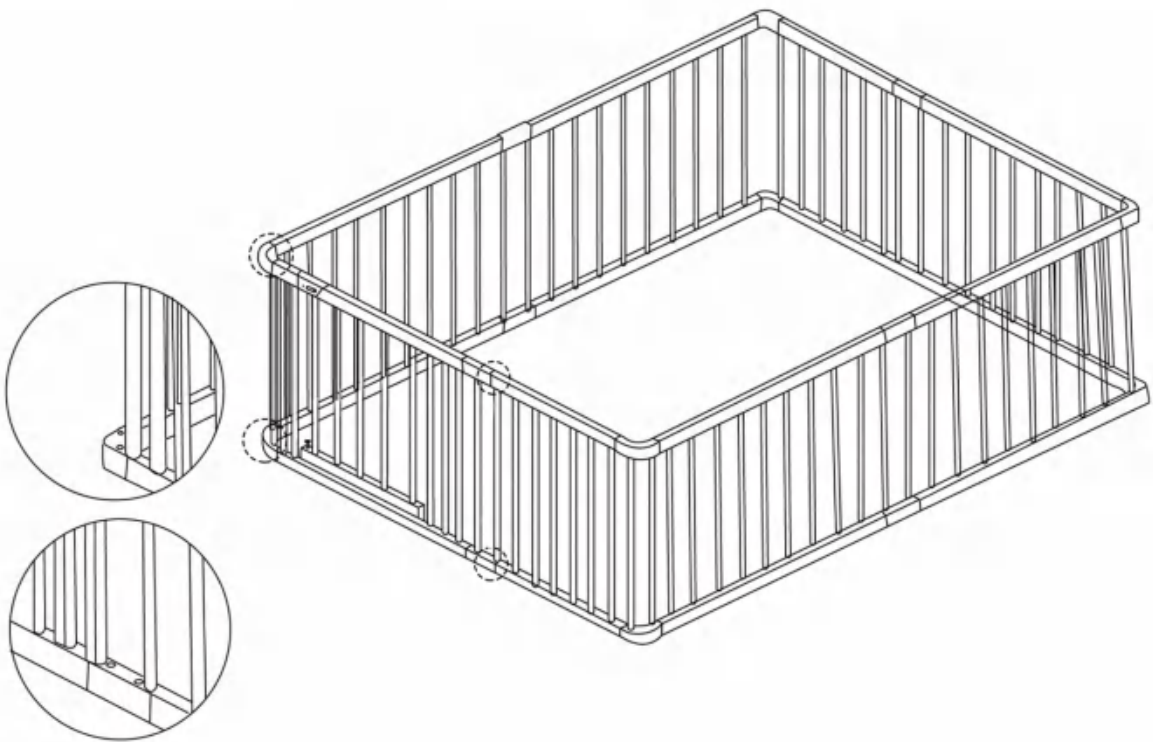
STEP 5



STEP 6

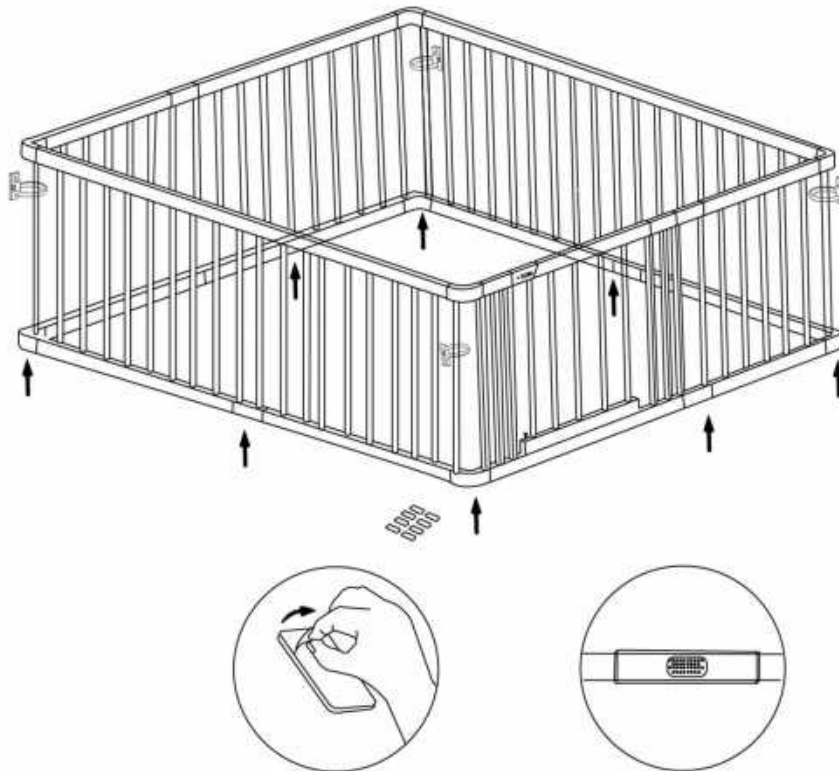


STEP 7



Congratulations! You have completed the entire installation process.

Please note: If you find that the assembled dimensions differ from those of the model you purchased, please refer to pages 2 and 3 of the instruction manual to verify the panel assembly sequence corresponding to your product model and make adjustments as needed.



We have included anti-slip sticker and anti-tilt belt; you can choose to use them based on your actual needs. If not used this time, please store them safely for potential future use.

Q&A parts

Q1: How to Extend the Lifespan of Your Fence?

A1:

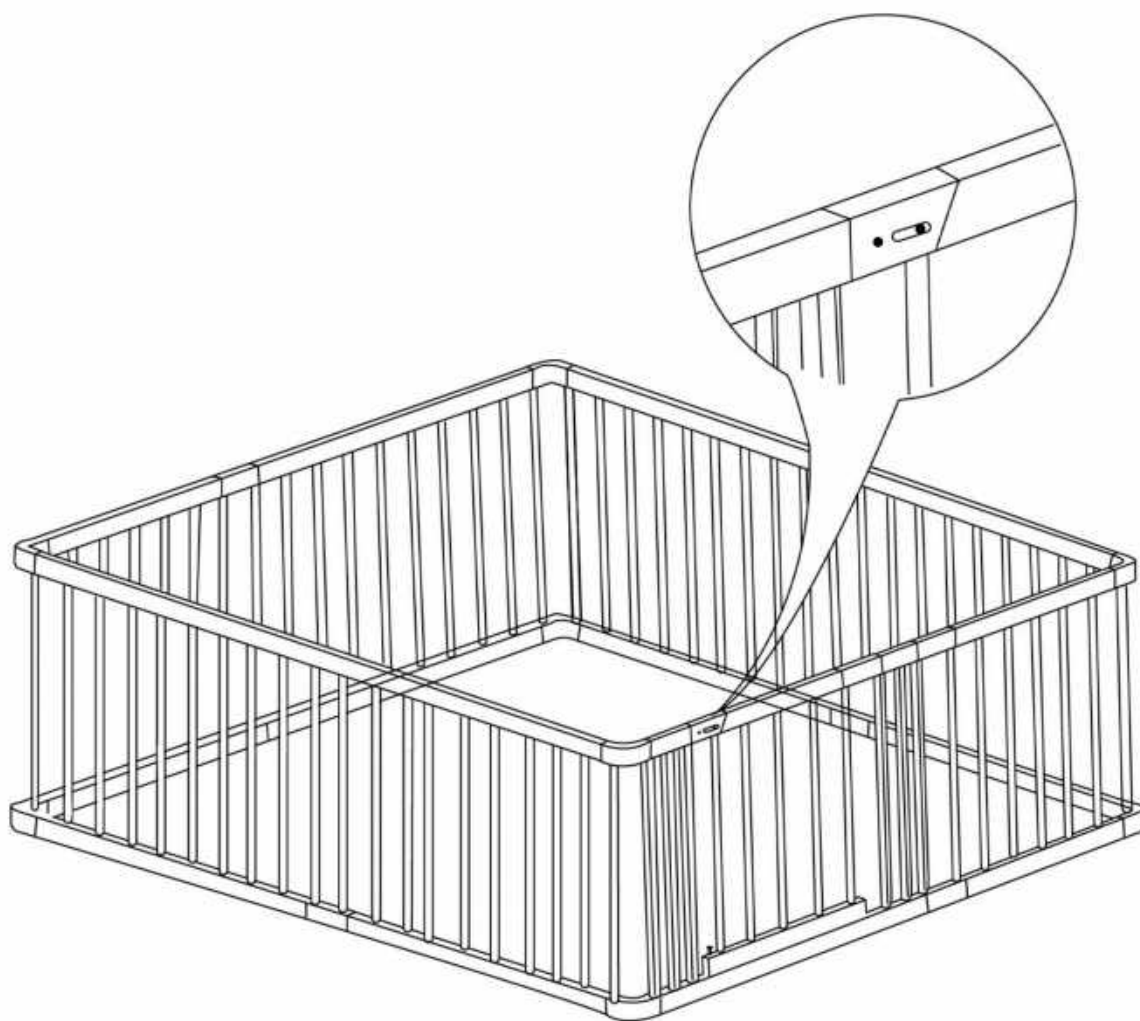
- 1. Regular Inspections:** Check the latches, panels, and hardware weekly for timely maintenance.
- 2. Cleaning and Care:** Wipe panels with a dry or damp cloth. Avoid corrosive cleaners to prevent warping or cracking of wooden panels.
- 3. Storage Requirements:** When not in use for extended periods, disassemble the fence and store it in a dry, well-ventilated area.

Q&A parts

Q2: How to open the door?

A2: Three-step opening procedure:

- 1. Slide the latch handle fully to the right.**
- 2. Lift the metal bolt upward until it clears the keeper completely.**
- 3. With the bolt disengaged, raise the bottom edge of the door slightly; the gate will open smoothly.**



“ Do you have any problems or missing parts?
Please let us know.
We are here to help you solve problems 24/7. ”



Let's keep in touch!
Your support is a great encouragement to us.



info@ggfhome.com

Qingdao Zhongqingchu International Trade Co.LTD
Wan Guo Tong Yun International Business Building Room
1301B Moscow Road No.54,Bonded Area
Qingdao 266000
Shandong, CN
Contact: info@ggfhome.com

Manufacturer: Shandong Zhihui Furniture Co. Ltd.
South Section of Yaochen Road, West Side (industrial Park), Tiangiao
Town, Juye County,
Heze City,
Shandong Province, China