

E26

WARNING!



Be sure electrical power is OFF before and during installation or maintenance. The luminaire must be installed by a qualified electrician, in accordance with all applicable local codes.

Ensure that the rated luminaire voltage requirements are compatible with the available mains supply in which it will be installed. All LEDs are included in your lamp. Never touch the LED surface with your bare hands as this may reduce the life of your LED. Do not alter, relocate or remove any electrical component.

Line: Cluster
Family: Pendente
Description: Pendente Cluster Accord Circular

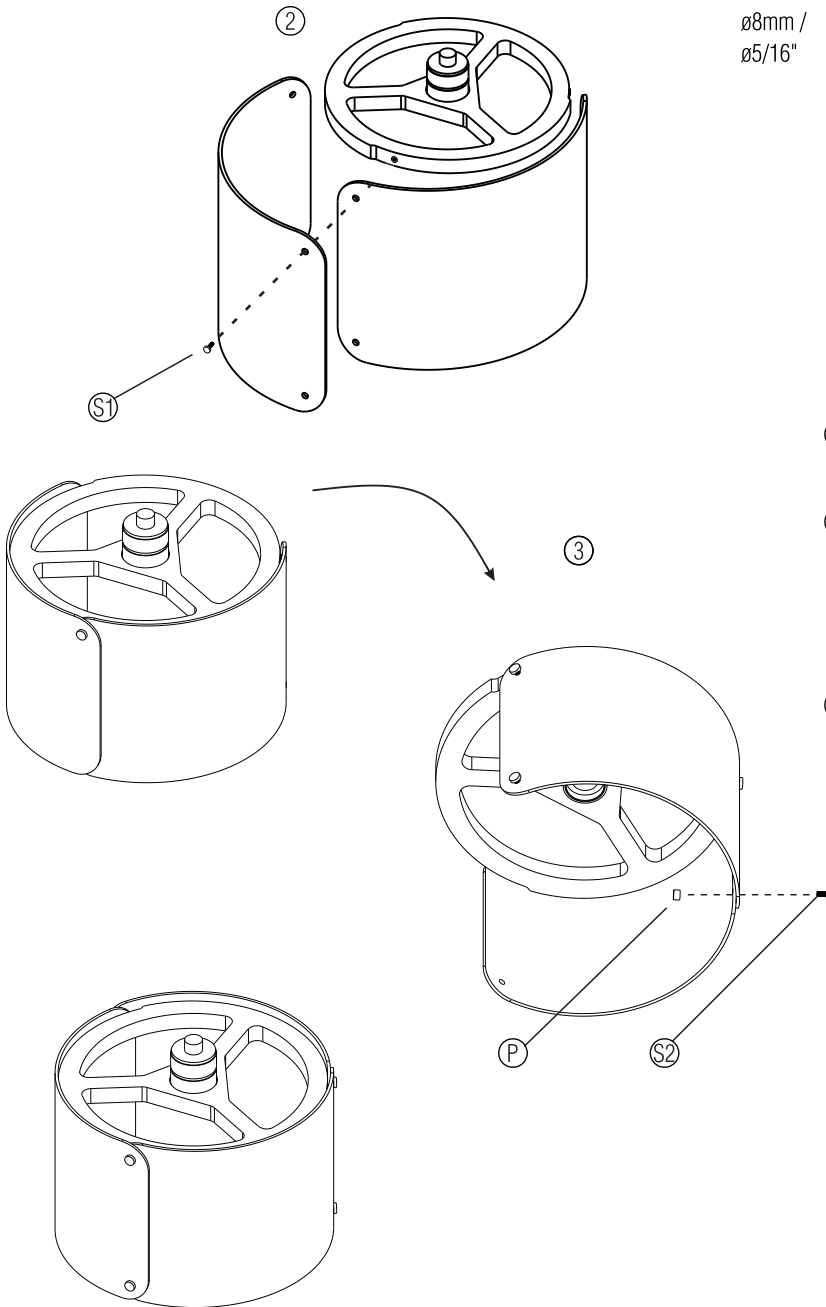
Input voltage: 120 - 240V
Input frequency: 60Hz

Material: Natural Wood Vener and MDF.

Read carefully all the assembling instructions below and turn OFF energy power before starting the installation.

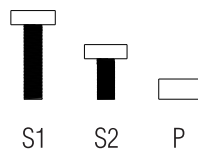
Turn off the electrical power before starting the installation, and keep it turned off until the installation is completed.

Ø8mm /
Ø5/16"



- ① Remove the protective packaging, taking care not to cut or scratch the wooden pieces.
- ② Begin by positioning two of the panels onto the base in such a way that they overlap each other and the upper holes align precisely with the hole in the base. Next, using the brass screws (S1- 3units), securely fasten the panels to the base as illustrated in the diagram. Once the first two panels are properly attached, position the third panel following the same procedure described above.
- ③ Next, using the brass screws (S2-3units) and the brass decorative nut (P), join the panels together through the lower hole.

PROVIDED SCREWS



ATTENTION!



FAILURE TO COMPLY WITH THESE INSTRUCTIONS MAY CAUSE ACCIDENTS AND LOSS OF PRODUCT WARRANTY. Its recommended to read these instructions completely and carefully before proceeding.

SAVE THESE INSTRUCTIONS FOR FUTURE REFERENCE.

ACCORD Lighting guarantees coverage against manufacturing defects including electrical components and finishes, for a period of three years, under normal use, from the date of purchase. For warranty service, please contact your local dealer for further instructions. Proof of date of purchase will be required for validation of warranty service.

The responsibility of the manufacturer regarding the product warranty is related to the correct observation of the instructions contained in this manual. The manufacturer is not responsible for any damage to the product caused by accidents, alterations of any kind, improper usage or improper installation. See the website for additional warranty details.

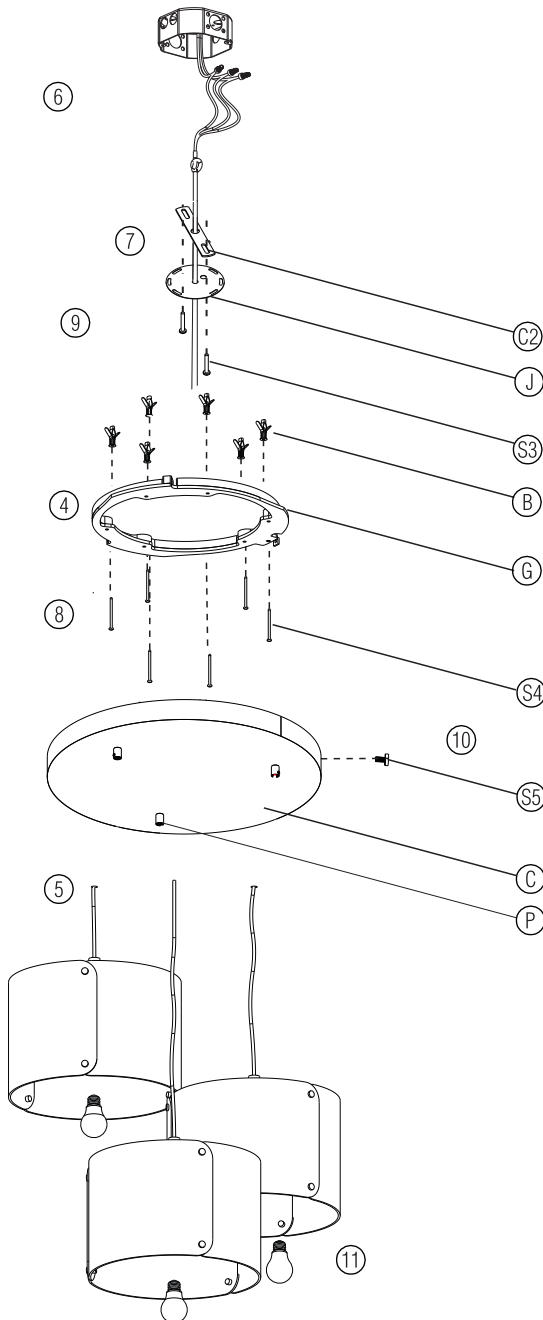
ACCORD Lighting reserves the right to change the dimensions and specifications contained in this manual without prior notice, in accordance with its policy of continuous product improvement. Please, contact the manufacturer if additional information is necessary. The illustrations in this manual are for guidance only and may vary in scale, dimensions and model details.

WARNING!



Be sure electrical power is OFF before and during installation or maintenance.
The luminaire must be installed by a qualified electrician, in accordance with all applicable local codes.

Ensure that the rated luminaire voltage requirements are compatible with the available mains supply in which it will be installed.
All LEDs are included in your lamp. Never touch the LED surface with your bare hands as this may reduce the life of your LED.
Do not alter, relocate or remove any electrical component.



Ø8mm /
Ø5/16"

Line: Cluster
Family: Pendente
Description: Pendente Cluster Accord Element Circular

Input voltage: 120 - 240V
Input frequency: 60Hz

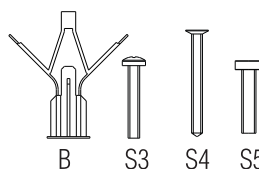
Material: Natural Wood Venner and MDF.

- 4 Using the base (G) as a template, drill the holes in the ceiling with an 8 mm drill bit and insert the wall plugs (P) into the holes.
- 5 Pass the power cable through the conical cable gland (B), attached to the canopy (C), through the central holes of the structural base (G) and junction box cover (J) and crossbar (C2), adjust the height as desired.
- 6 Make the electrical connections in compliance with all the safety standards and local electrical codes. This product must be installed in accordance with the applicable installation code by a person familiar with the construction and operation of the product, and the hazards involved.
- 7 Screw the crossbar (C2) and junction box cover (J) in the junction box using the provided screws (S1).
- 8 Using screw (S4), secure the base (G) to the wall plugs installed in the ceiling.
- 9 Join the canopy with the mounting base and rotate it until it locks into the bracket.
- 10 Tighten the brass finishing screw (S5-1unit) to lock the assembly.
- 11 Install E26 led bulbs with a maximum power of 25w in the available sockets.

Turn on the electrical power.

The luminaire is ready for use.

PROVIDED SCREWS



ATTENTION!



FAILURE TO COMPLY WITH THESE INSTRUCTIONS MAY CAUSE ACCIDENTS AND LOSS OF PRODUCT WARRANTY.
It's recommended to read these instructions completely and carefully before proceeding.

SAVE THESE INSTRUCTIONS FOR FUTURE REFERENCE.

ACCORD Lighting guarantees coverage against manufacturing defects including electrical components and finishes, for a period of three years, under normal use, from the date of purchase. For warranty service, please contact your local dealer for further instructions. Proof of date of purchase will be required for validation of warranty service.

The responsibility of the manufacturer regarding the product warranty is related to the correct observation of the instructions contained in this manual. The manufacturer is not responsible for any damage to the product caused by accidents, alterations of any kind, improper usage or improper installation. See the website for additional warranty details.

ACCORD Lighting reserves the right to change the dimensions and specifications contained in this manual without prior notice, in accordance with its policy of continuous product improvement. Please, contact the manufacturer if additional information is necessary. The illustrations in this manual are for guidance only and may vary in scale, dimensions and model details.