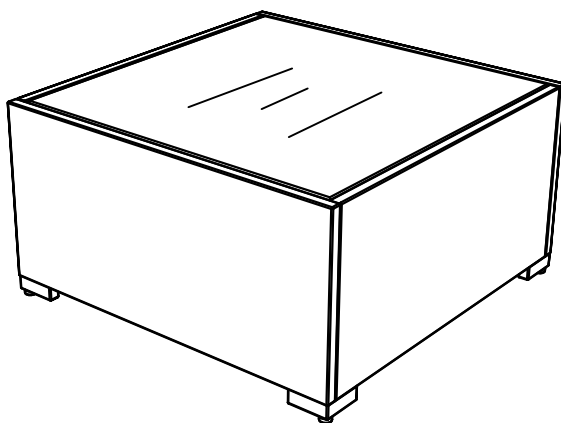


Assembly Instruction

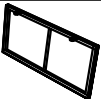
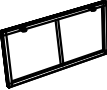






Advice:

1. Power tools are suggested to be used during installation.
2. More than one person may be required to assemble this product.
3. The best advice is not tightening up any screws until the whole piece is assembled. If having difficulty aligning holes, loosen the screws already installed and readjust the armrest.
4. To avoid mess-up or mismatch, please use the hardware of each box to install the furniture in the same box.

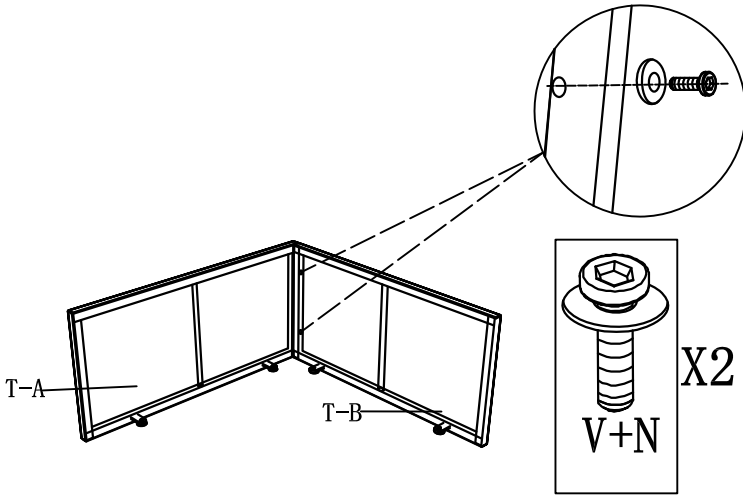


Table

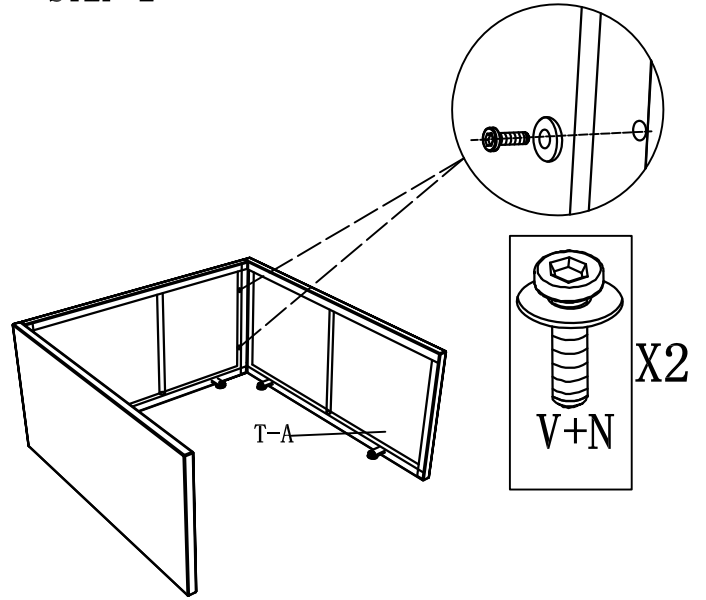
Parts List

Part Number	Picture	Description	QTY
T-A		Long Side Panel	2
T-B		Short Side Panel	2
T-C		Glass Top	1
N		Washer (M6)	8
V		Screw (M6*35)	8
X		Screw (M6*25)	8
L		Allen Key	1
E		L Shape Foot	4

STEP 1

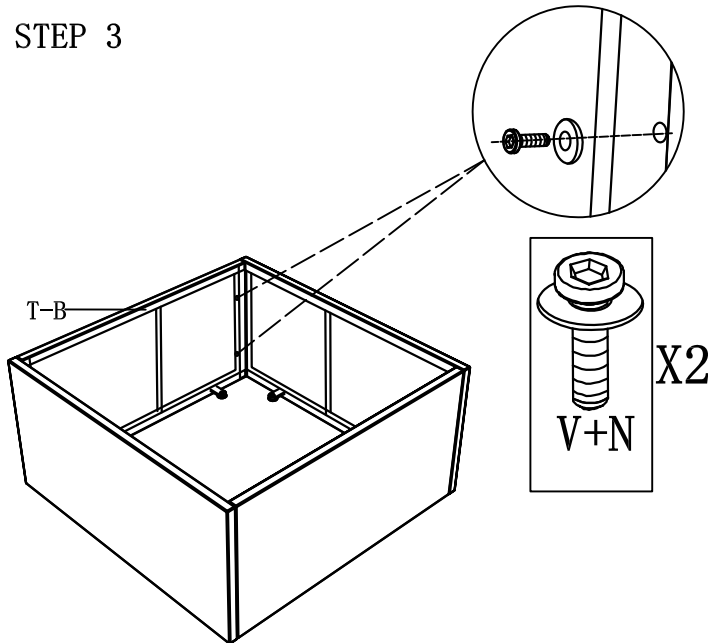


STEP 2

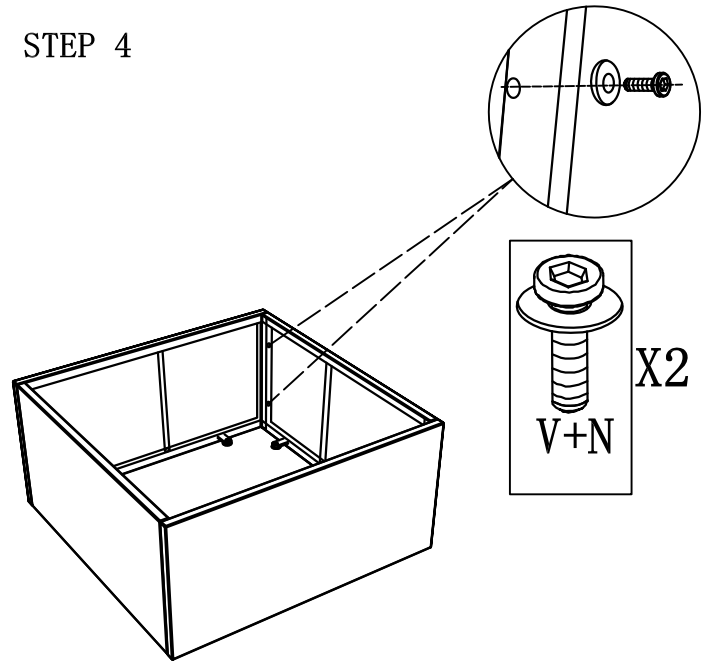


The best advice is not tightening up any screws until the whole piece is assembled.

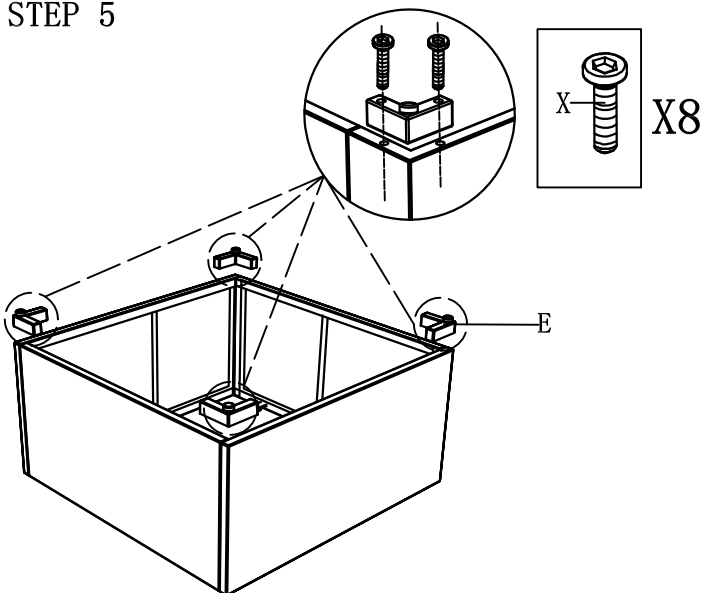
STEP 3



STEP 4



STEP 5



FINISH

