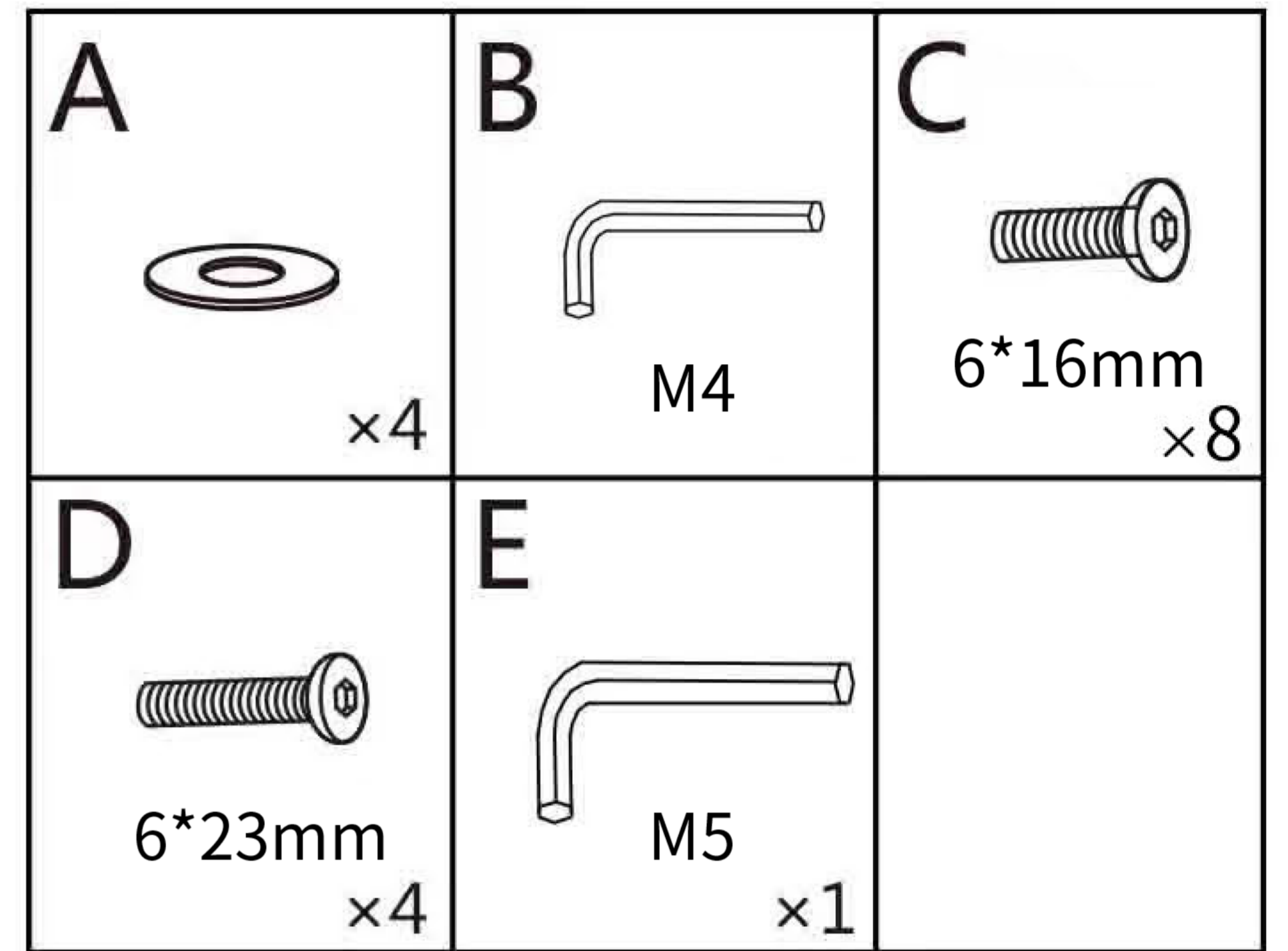
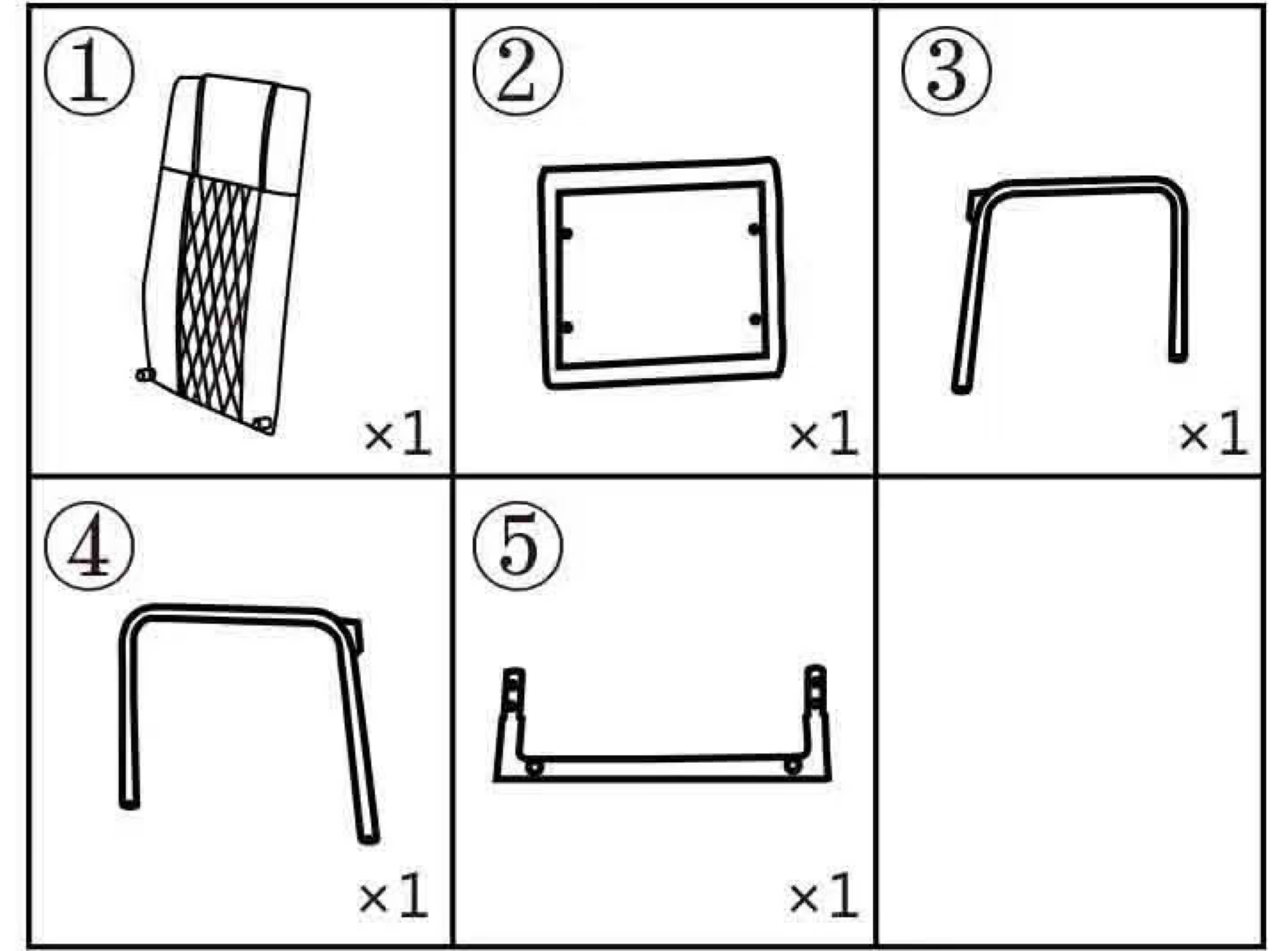
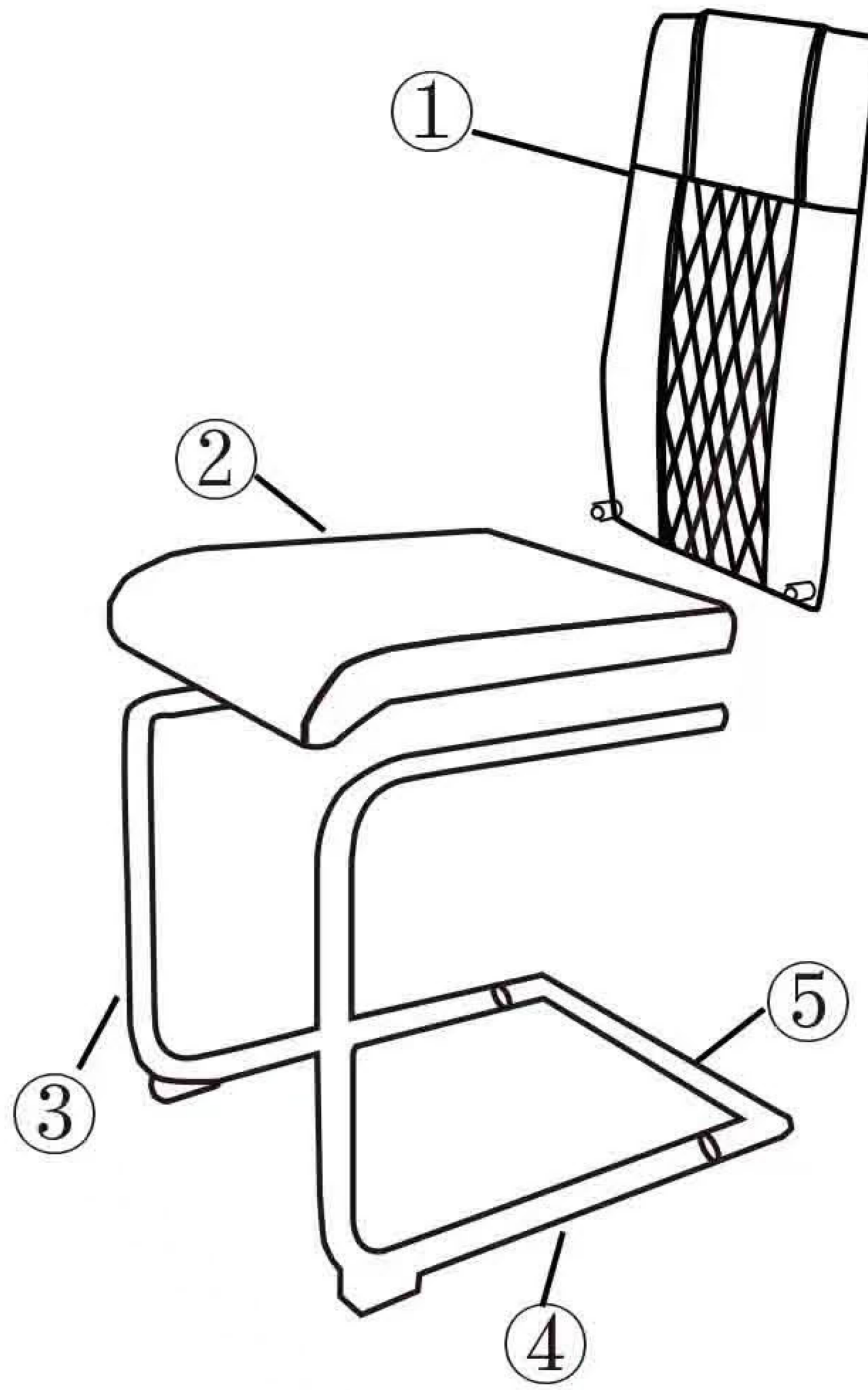
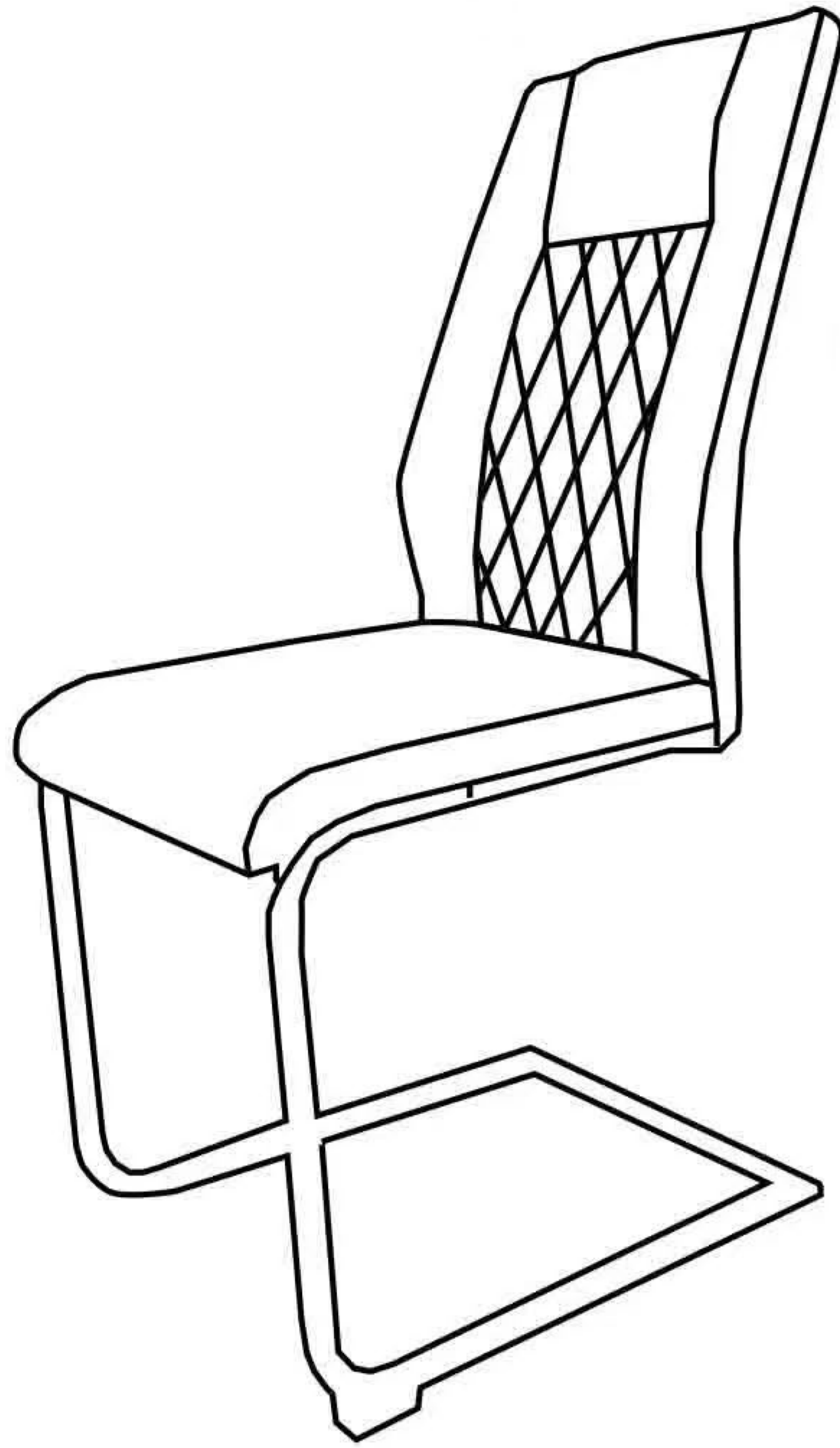
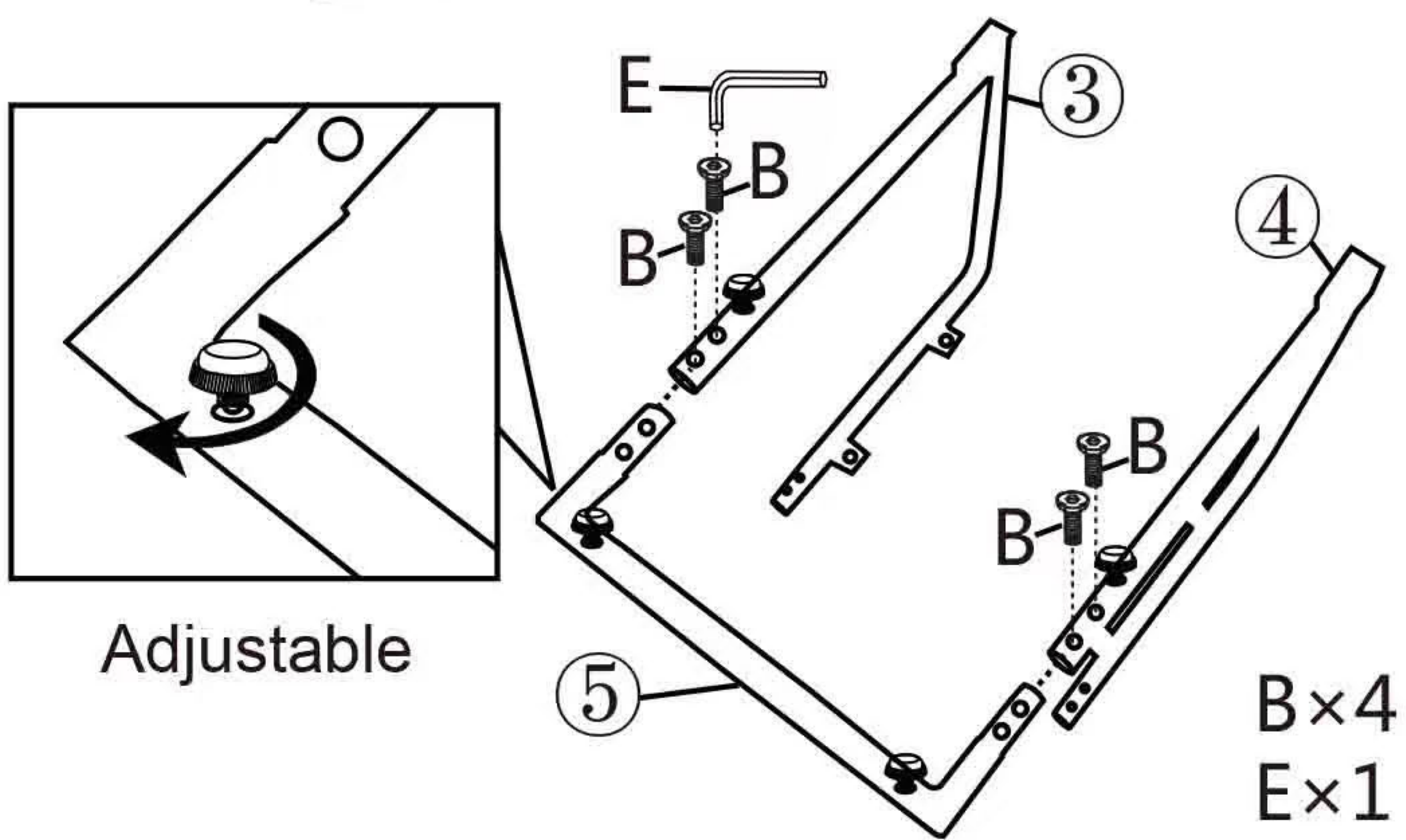


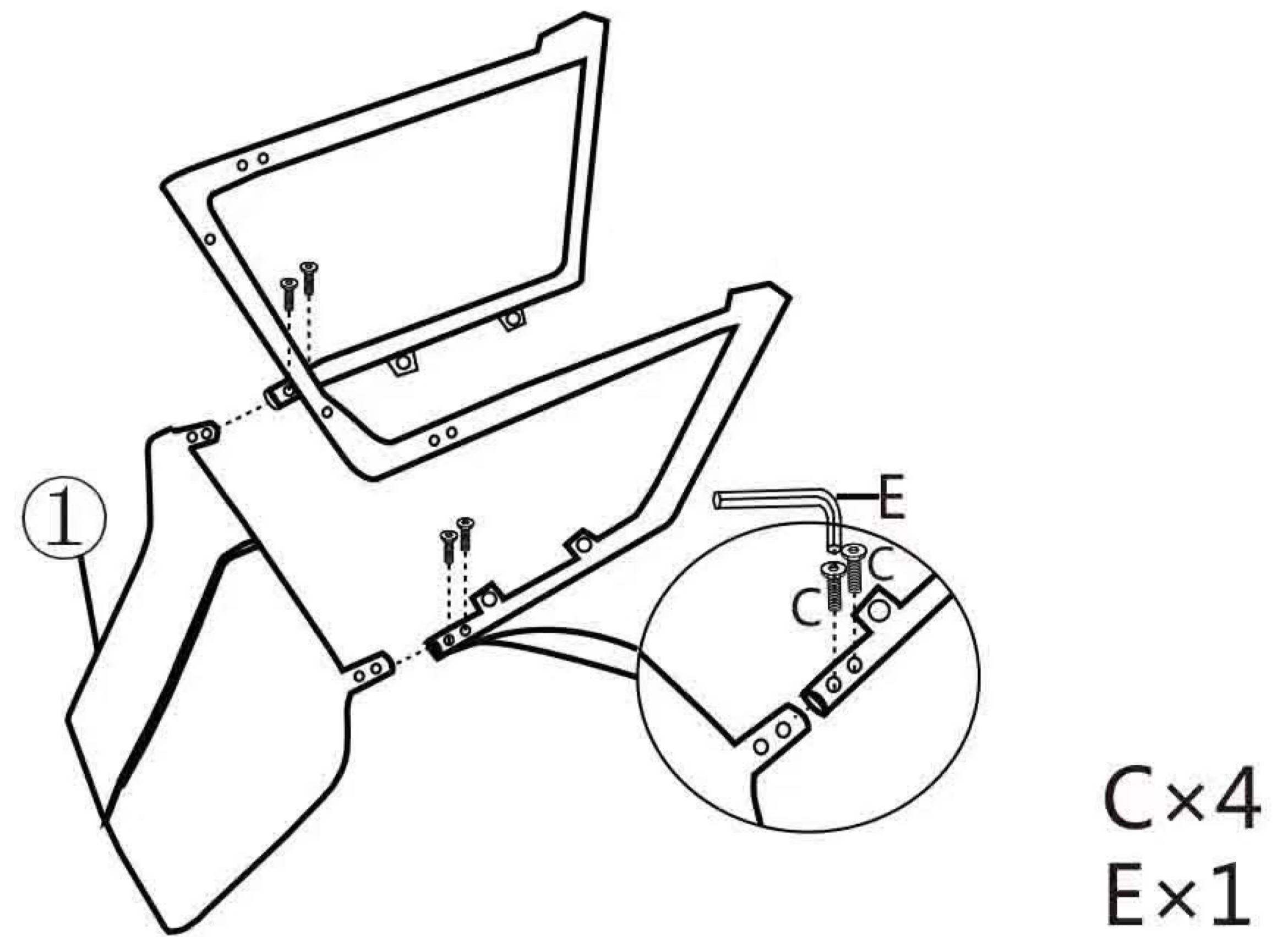
# ASSEMBLY INSTRUCTIONS



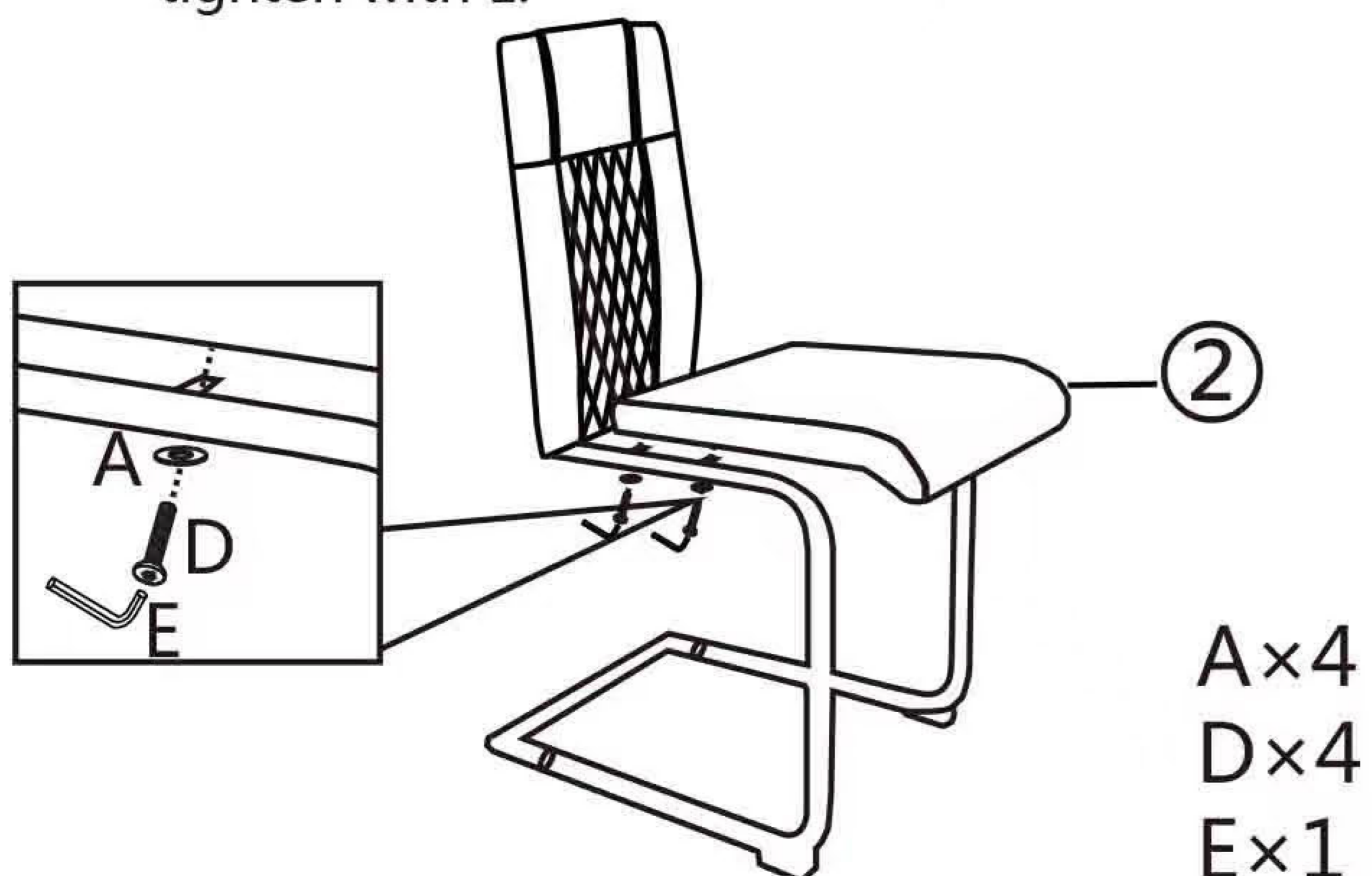
**STEP 1** ③ and ④ are connected to ⑤ respectively, B is inserted into the corresponding hole and tightened with E.



**STEP 2** Connect ① to ③ and ④ respectively, insert C into the corresponding hole and tighten with E.



**STEP 3** Connect ② to ③ and ④ respectively, insert D and A into the corresponding holes in turn and tighten with E.



**STEP 4** Installation complete

