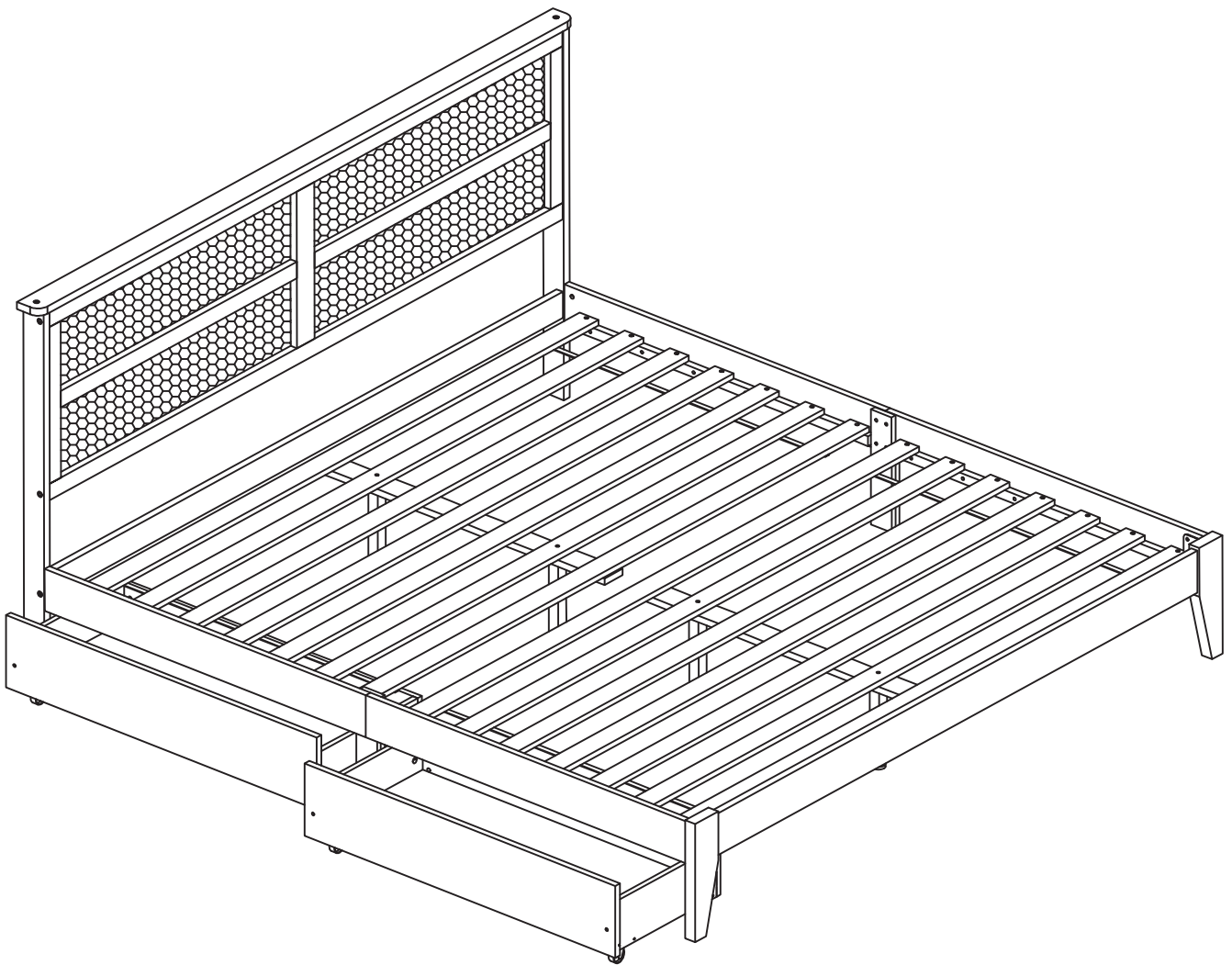


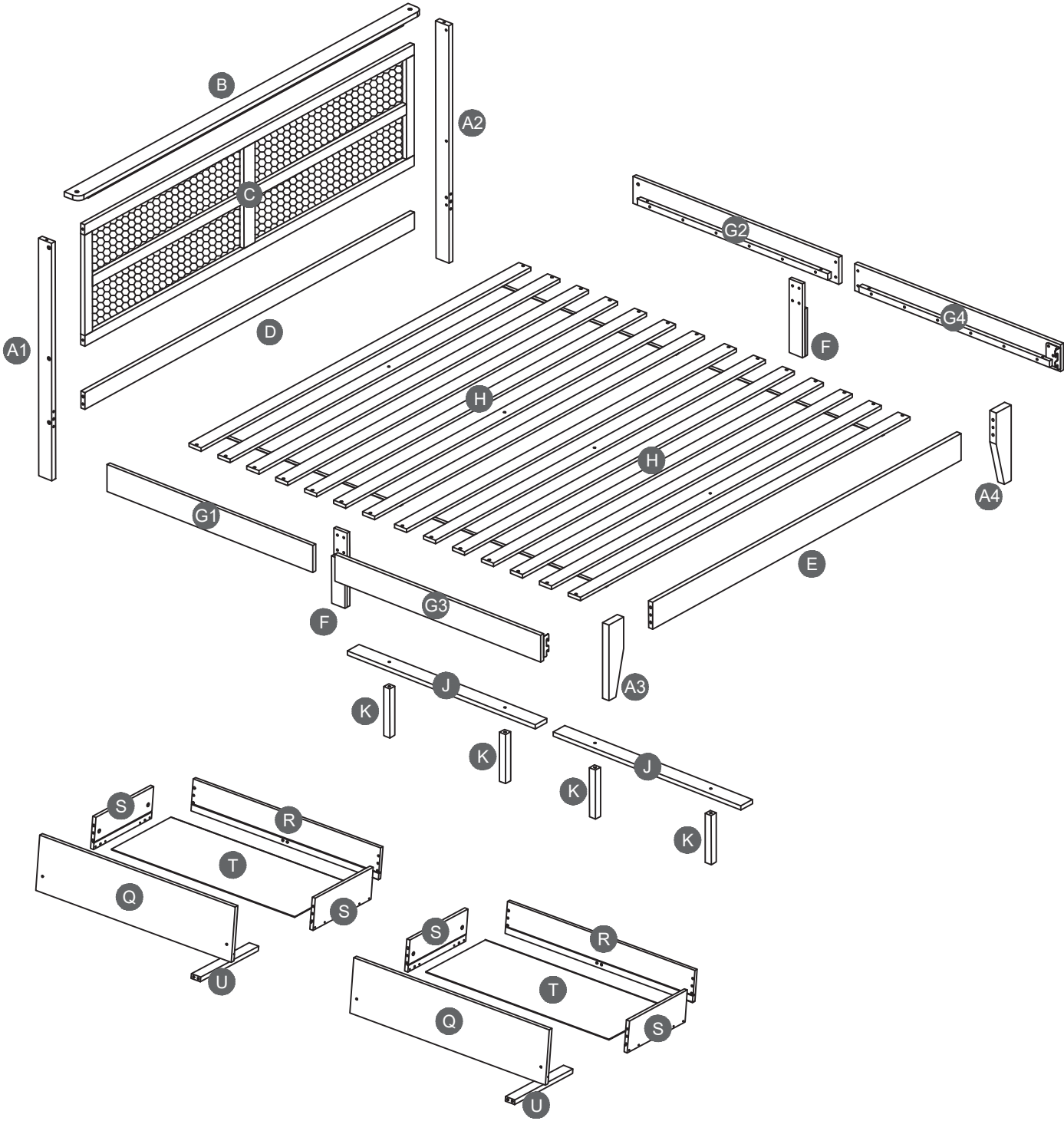
# ASSEMBLY INSTRUCTIONS

## KING BED WITH HEADBOARD, 2 STORAGE DRAWERS







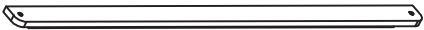









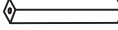



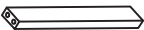
**MK68215**

# Detail View





# Part List

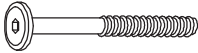


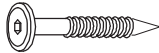



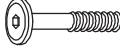


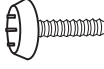


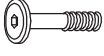

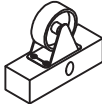



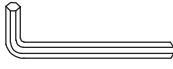
## MK 68215 (1/2)

<b>A1</b>  Leg (Headboard Left) - 1pc	<b>A2</b>  Leg (Headboard Right) - 1pc	<b>A3</b>  Leg (Footboard Left) - 1pc
<b>A4</b>  Leg (Footboard Right) - 1pc	<b>B</b>  Top Panel (Headboard) - 1pc	<b>D</b>  Bottom Panel (Headboard) - 1pc
<b>E</b>  Panel (Footboard) - 1pc	<b>F</b>  Side Rail Support (Left & Right) - 2pcs	<b>G1</b>  Side Rail Left (Headboard) - 1pc
<b>G2</b>  Side Rail Right (Headboard) - 1pc	<b>G3</b>  Side Rail Left (Footboard) - 1pc	<b>G4</b>  Side Rail Right (Footboard) - 1pc
<b>H</b>  Bed Slats - 2Sets	<b>J</b>  Center Rail - 2pcs	<b>K</b>  Support Leg - 4pcs
<b>Q</b>  Front Panel (Storage) - 2pcs	<b>R</b>  Back Panel (Storage) - 2pcs	<b>S</b>  Side Panel (Storage) - 4pcs
<b>U</b>  Bottom Support Panel (Storage) - 2pcs		

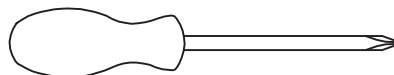
## MK 68215 (2/2)

<b>C</b>  Middle Panel (Headboard) - 1pc	<b>T</b>  Bottom Panel (Storage) - 2pcs
---	---

# Hardware List MK 68215 (1/2)




<b>1</b>  M6 x 60mm JCBC (20pcs)	<b>2</b>  M6 x 15mm Barrel Nut (10pcs)	<b>3</b>  M10 x 30mm Wood Dowel (8pcs)
<b>4</b>  M6 x 40mm JCBC-W (2pcs)	<b>5</b>  M4 x 32mm CSK Screw (19pcs)	<b>6</b>  M6 Half Moon Nut (2pcs)
<b>7</b>  Flat Washer (2pcs)	<b>8</b>  Split Lock Washer (2pcs)	<b>9</b>  M6 x 30mm JCBC (8pcs)
<b>10</b>  M6 x 30mm JCBC-W (8pcs)	<b>11</b>  M4 x 25mm CSK Screw (20pcs)	<b>12</b>  Adjustable Screw (4pcs)
<b>13</b>  Flat Washer (8pcs)	<b>14</b>  M6 x 110mm JCBC (4pcs)	<b>15</b>  M8 x 20mm JCBB (4pcs)
<b>16</b>  Sticker Cap (12pcs)	<b>17</b>  Caster (8pcs)	<b>18</b>  M8 x 30mm Wood Dowel (32pcs)
<b>19</b>  M6 x 13mm Barrel Nut (8pcs)	<b>20</b>  M4 Allen Key (1pc)	<b>21</b>  M5 Allen Key (1pc)

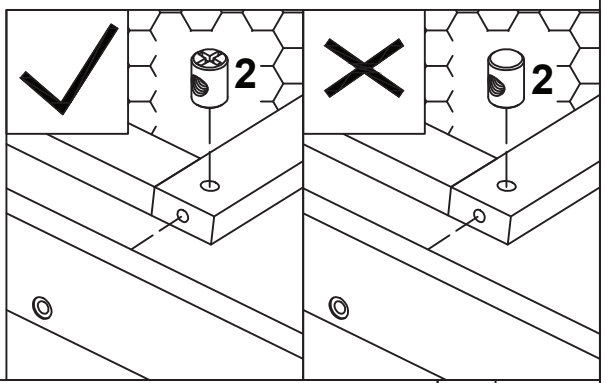
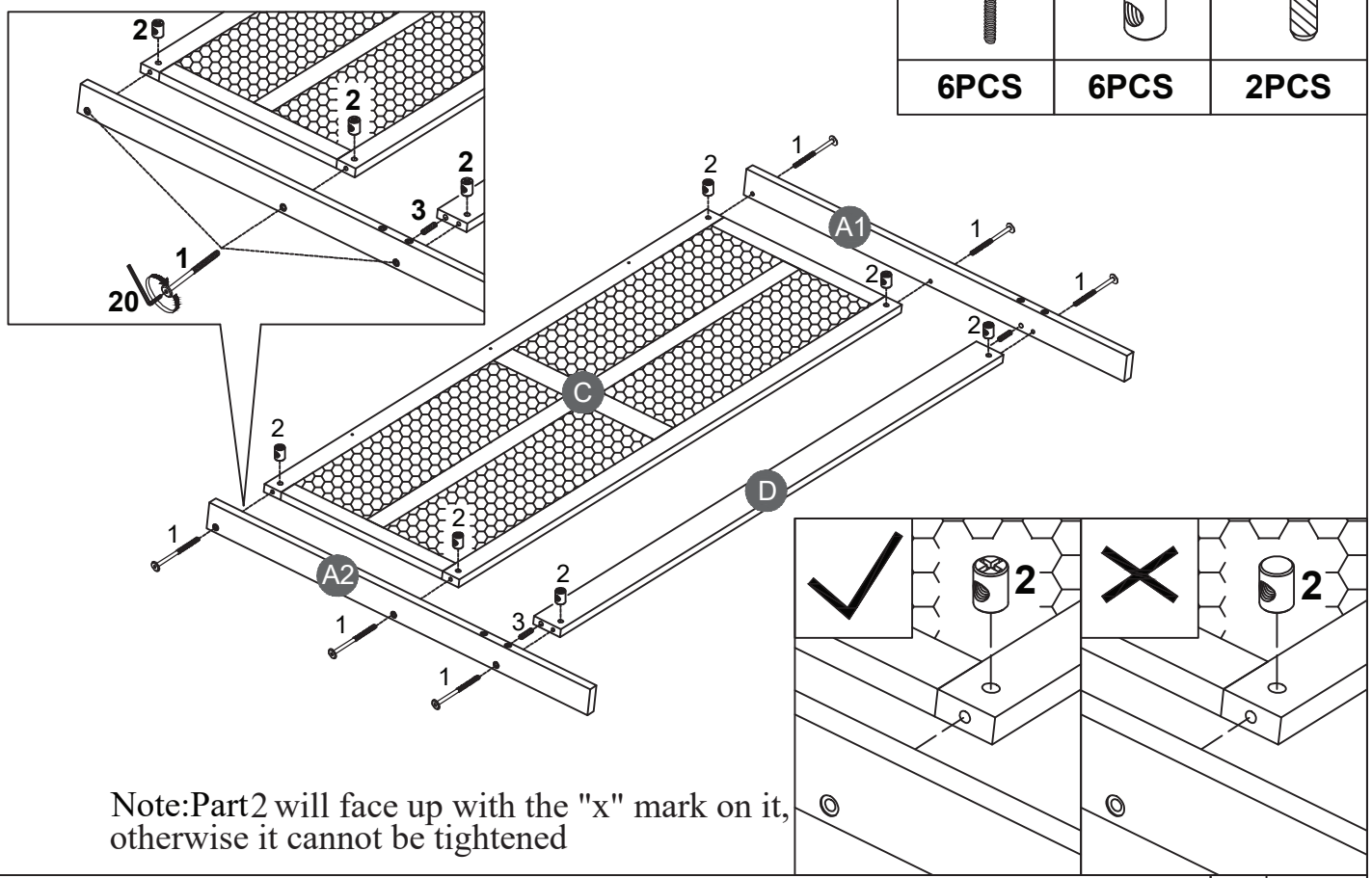
## ASSEMBLY TOOLS REQUIRED ( NOT INCLUDED )




**PLEASE BE CAREFUL DO NOT DAMAGE THE HOLE POSITION WHEN YOU USE POWER TOOLS !**

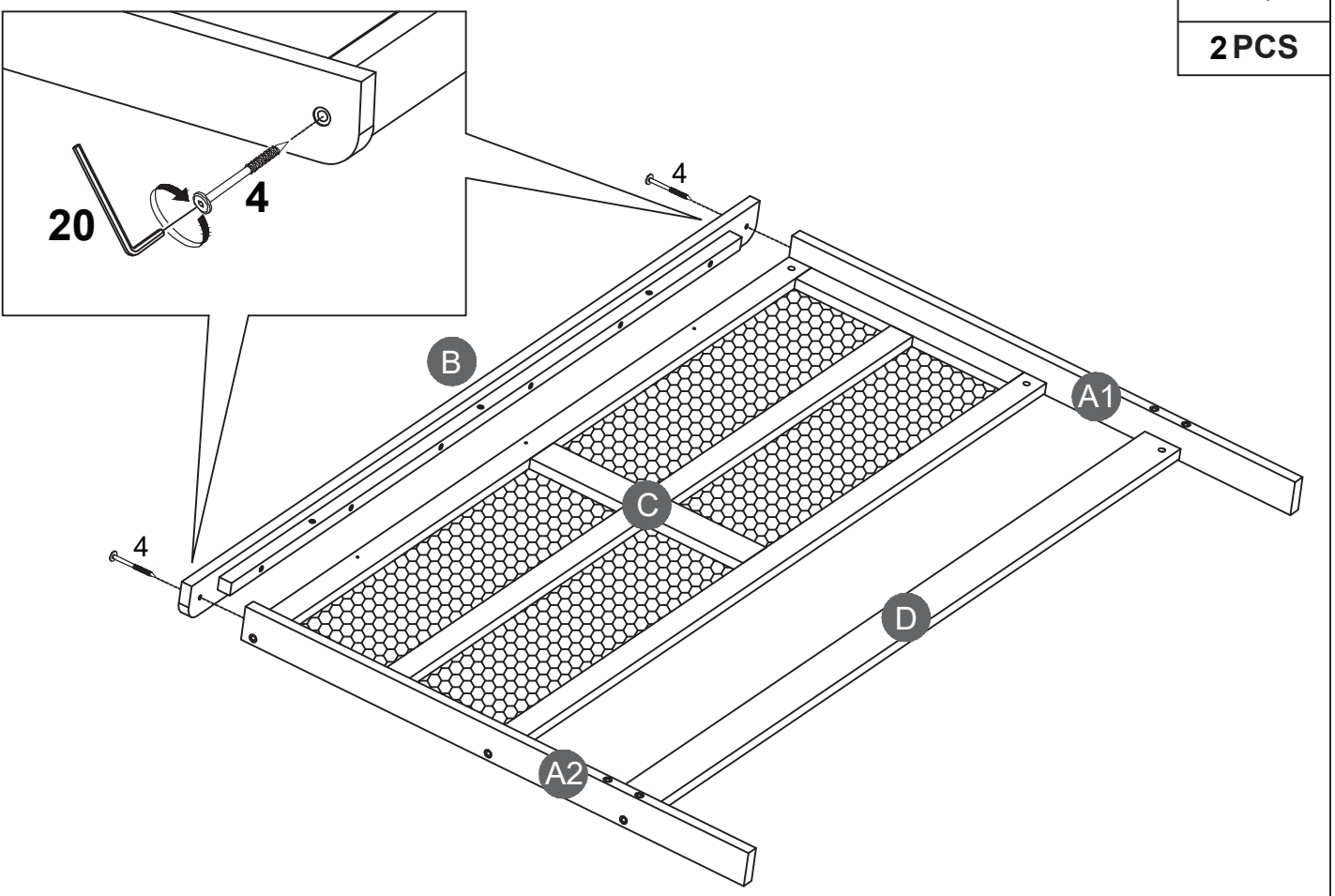
# STEP 1:

<b>1</b>		<b>2</b>		<b>3</b>	
<b>6PCS</b>		<b>6PCS</b>		<b>2PCS</b>	

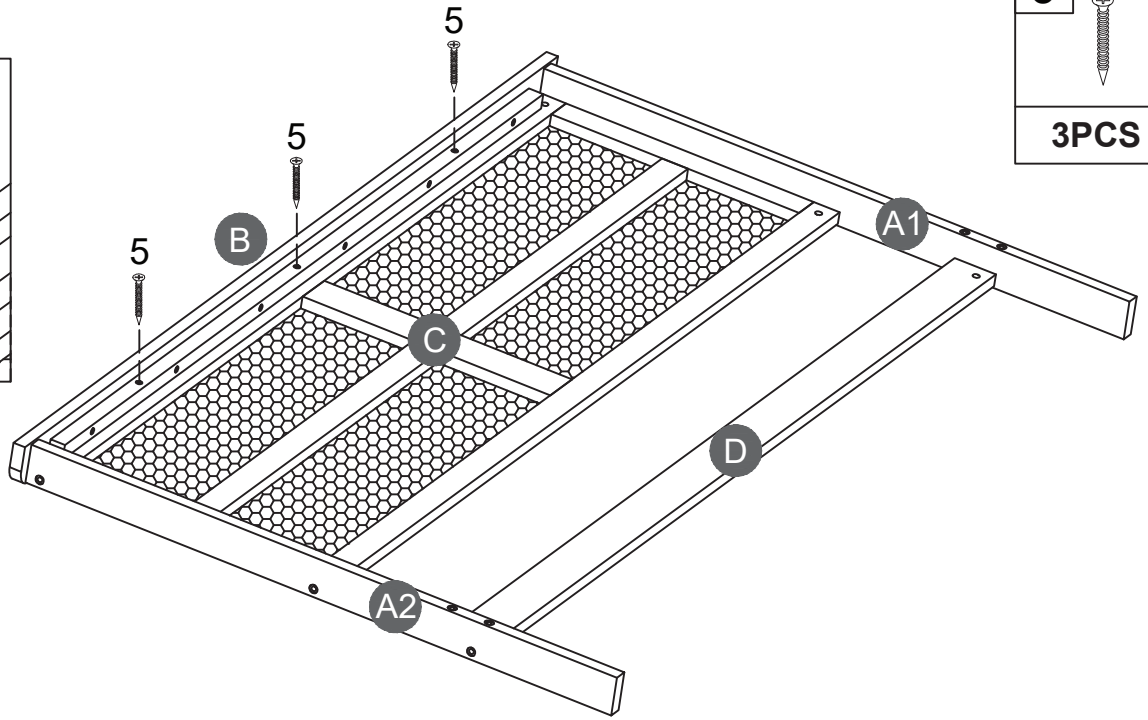
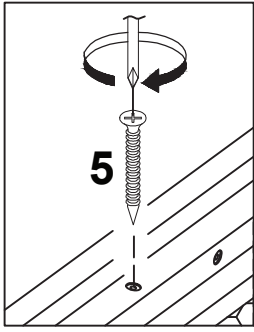


# STEP 2:

<b>4</b>	
<b>2PCS</b>	



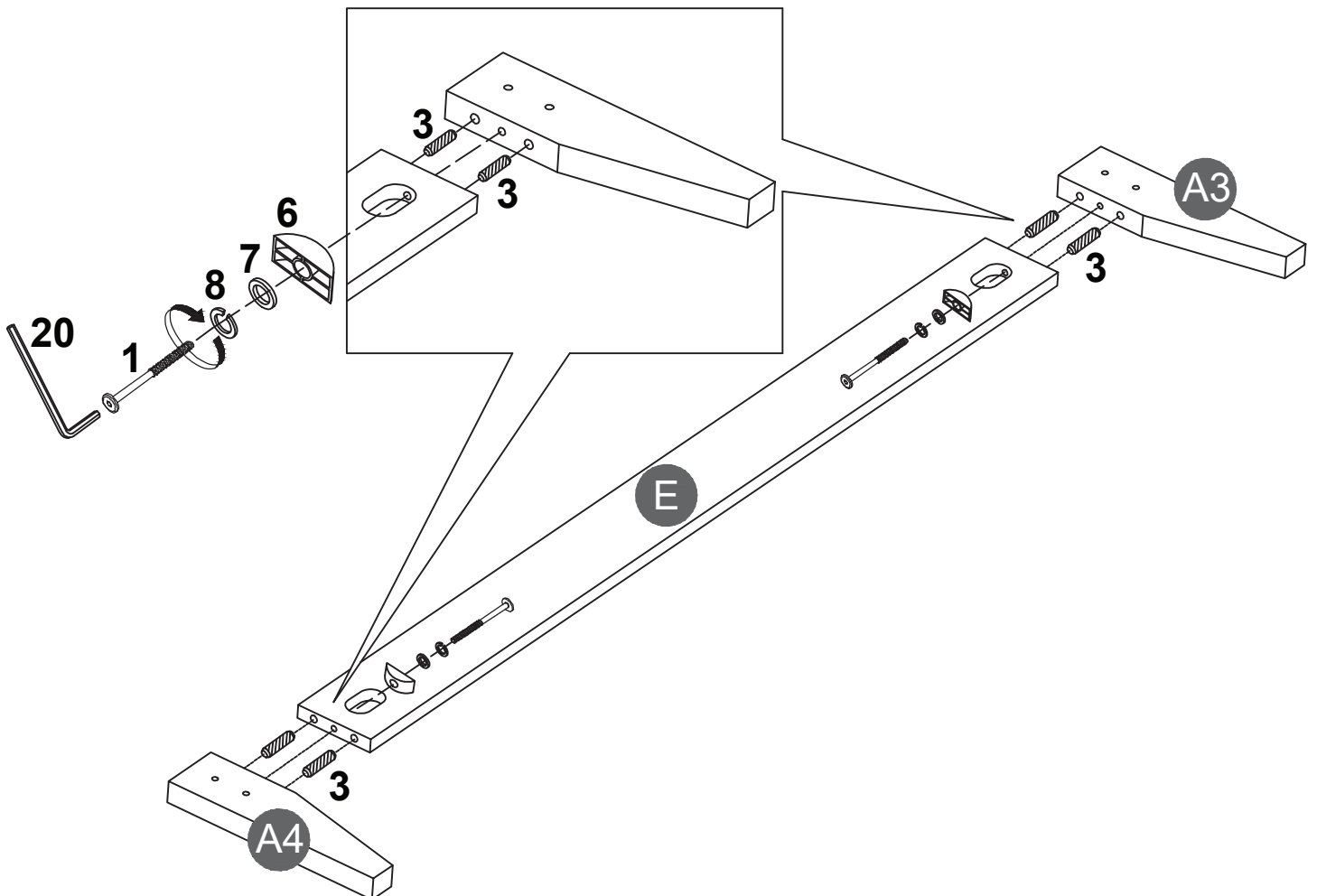
**STEP 3:**





<b>5</b>	
<b>3PCS</b>	

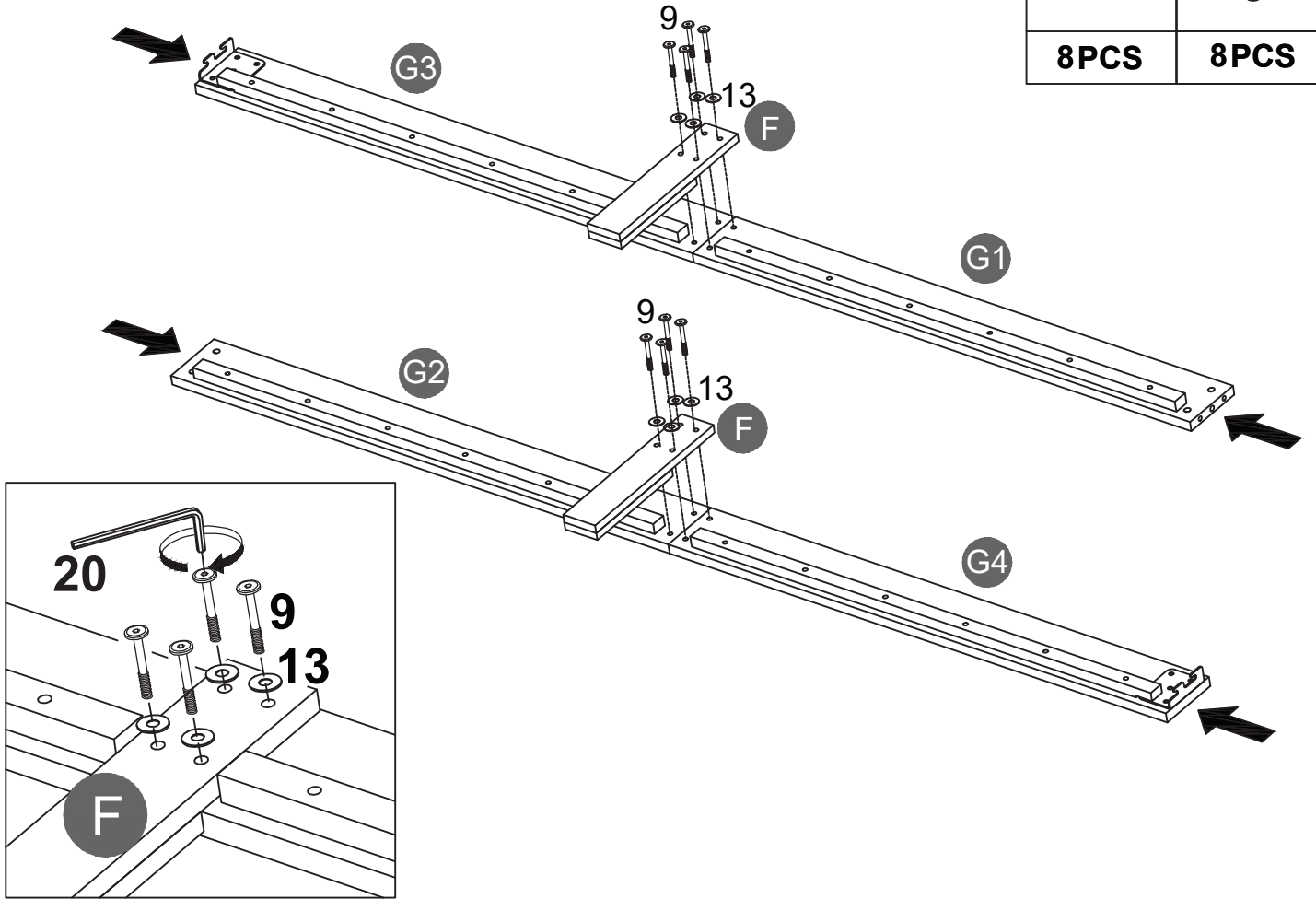
**STEP 4:**

<b>1</b>		<b>3</b>		<b>6</b>		<b>7</b>		<b>8</b>	
<b>2PCS</b>		<b>4PCS</b>		<b>2PCS</b>		<b>2PCS</b>		<b>2PCS</b>	







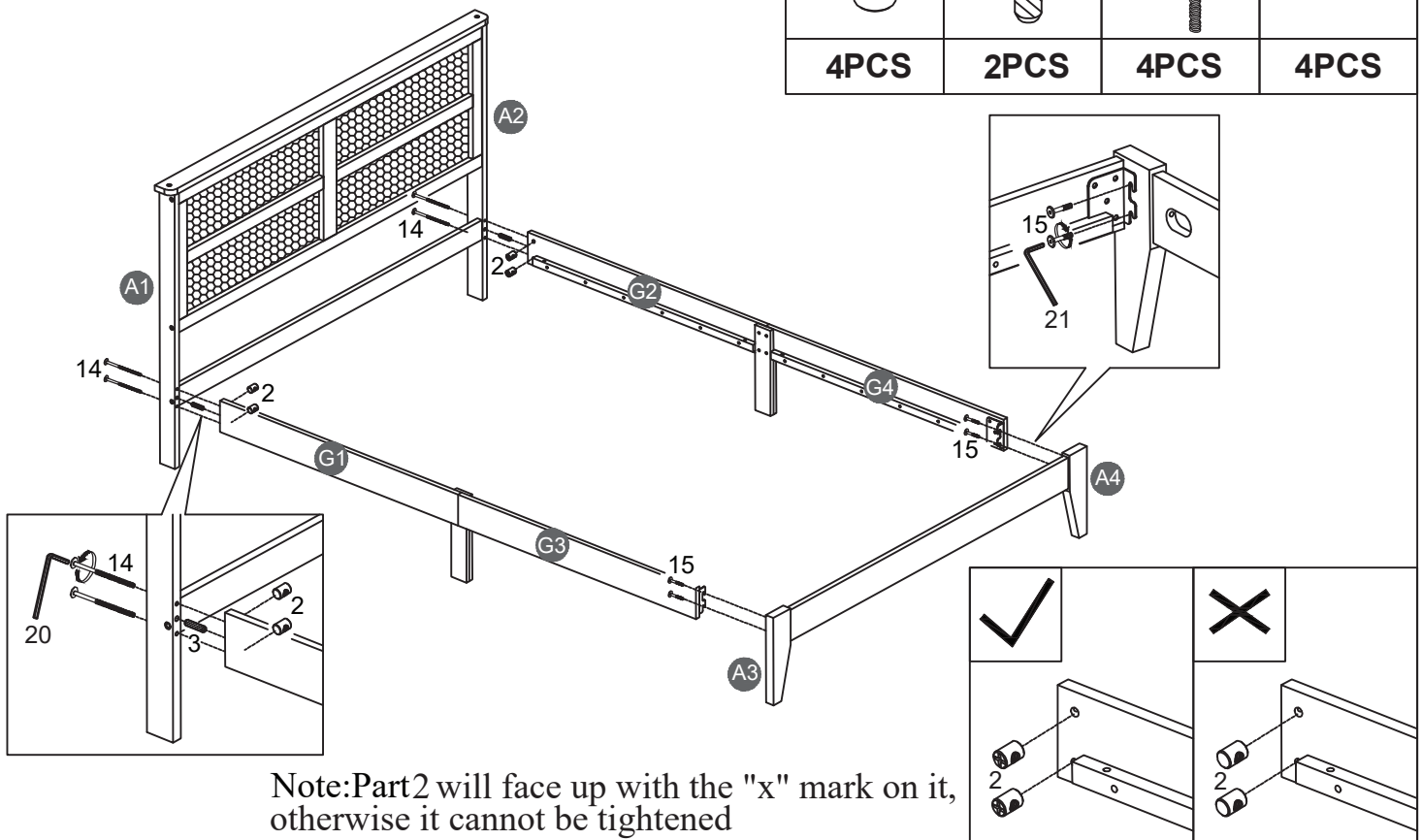
**STEP 5:**

<b>9</b>		<b>13</b>	
<b>8PCS</b>		<b>8PCS</b>	



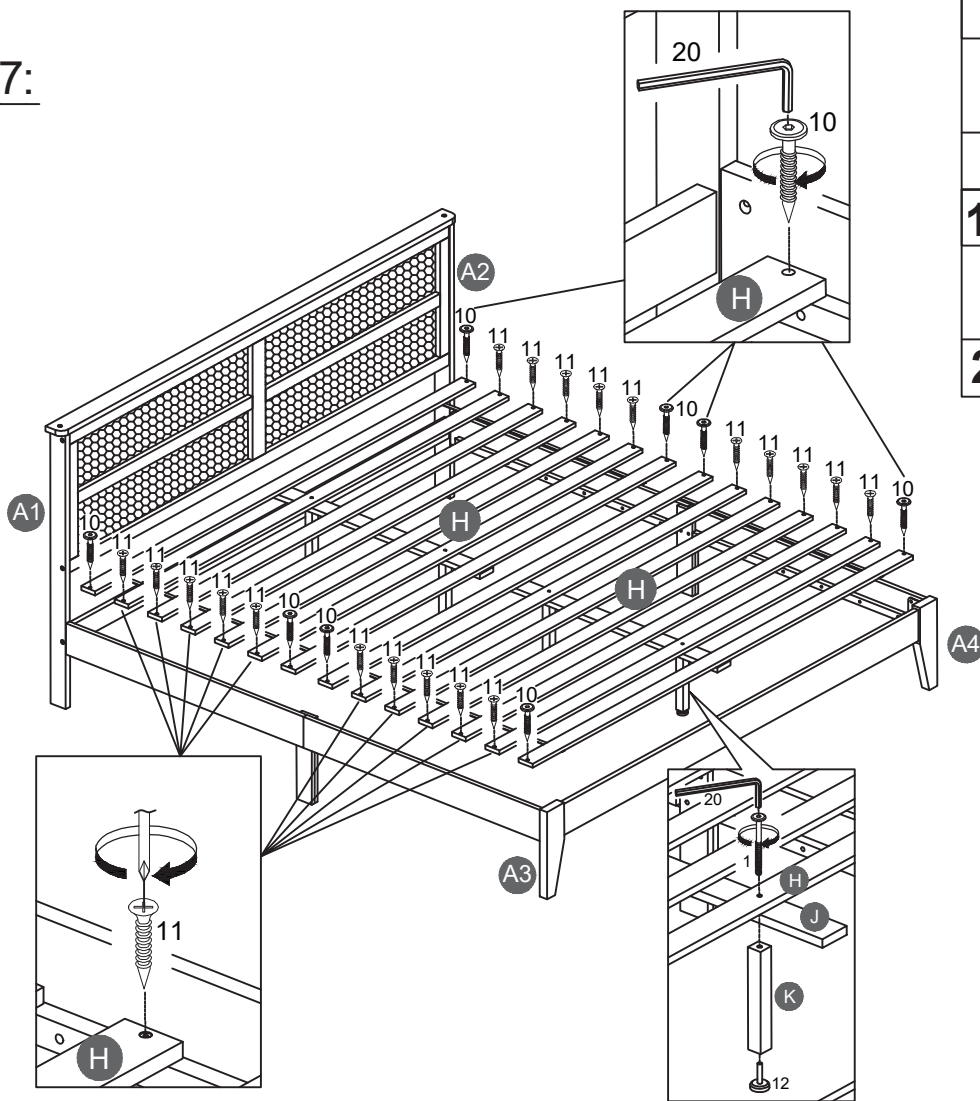
**STEP 6:**

<b>2</b>		<b>3</b>		<b>14</b>		<b>15</b>	
<b>4PCS</b>		<b>2PCS</b>		<b>4PCS</b>		<b>4PCS</b>	

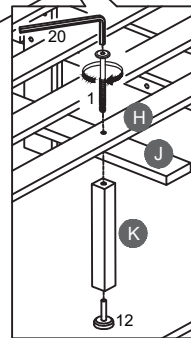
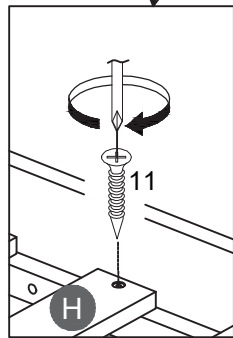


Note: Part 2 will face up with the "x" mark on it, otherwise it cannot be tightened

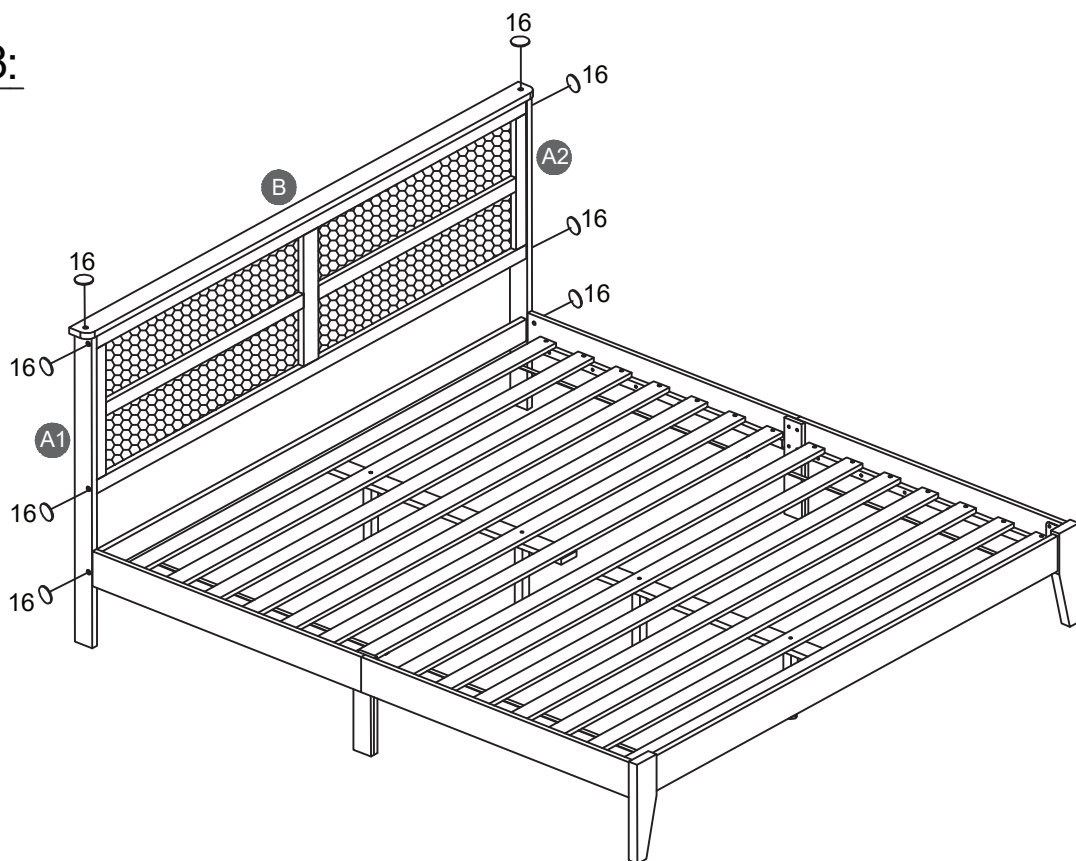
# STEP 7:



<b>1</b>		<b>10</b>	
<b>4PCS</b>		<b>8PCS</b>	
<b>11</b>		<b>12</b>	
<b>20PCS</b>		<b>4PCS</b>	


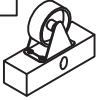



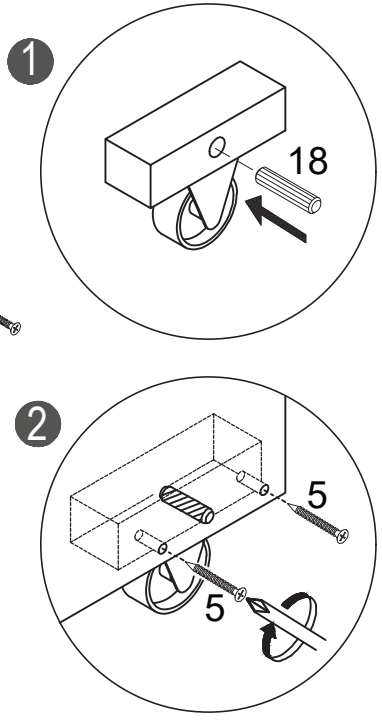
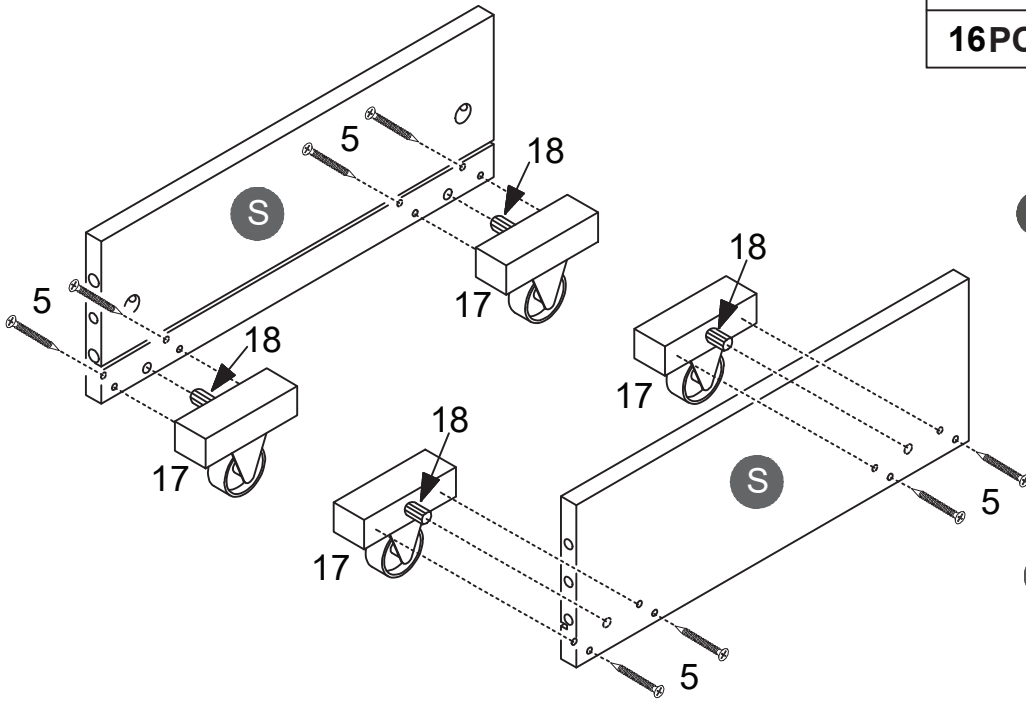
# STEP 8:



<b>16</b>	
<b>8PCS</b>	




**STEP 9:**

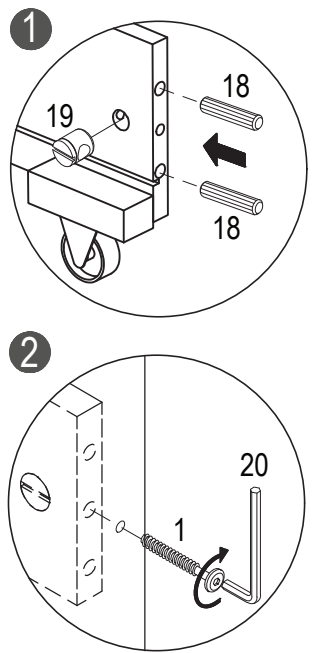
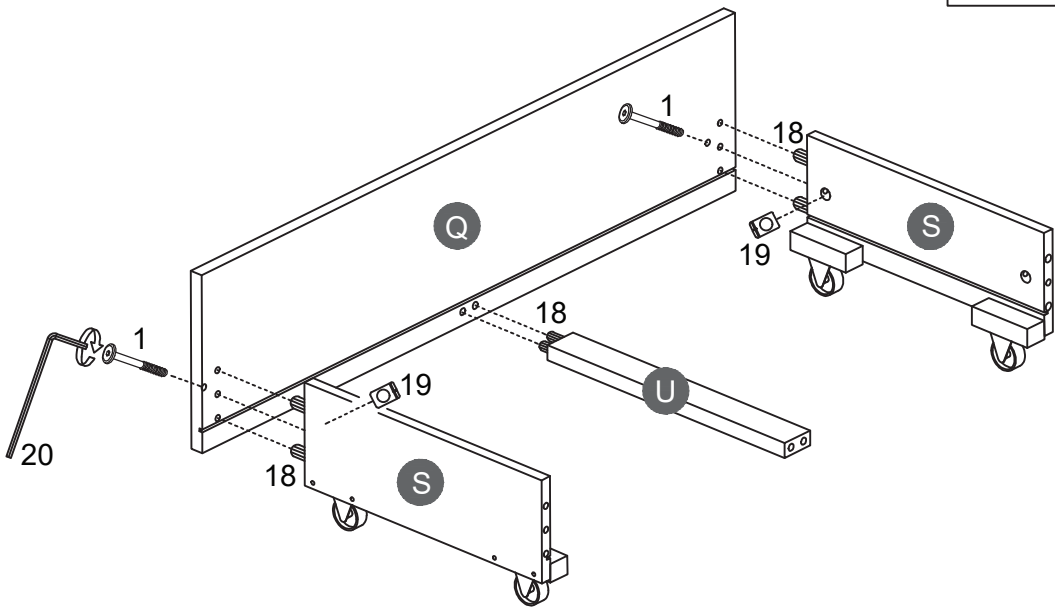
<b>5</b>		<b>17</b>		<b>18</b>	
<b>16PCS</b>		<b>8PCS</b>		<b>8PCS</b>	



**x 2**

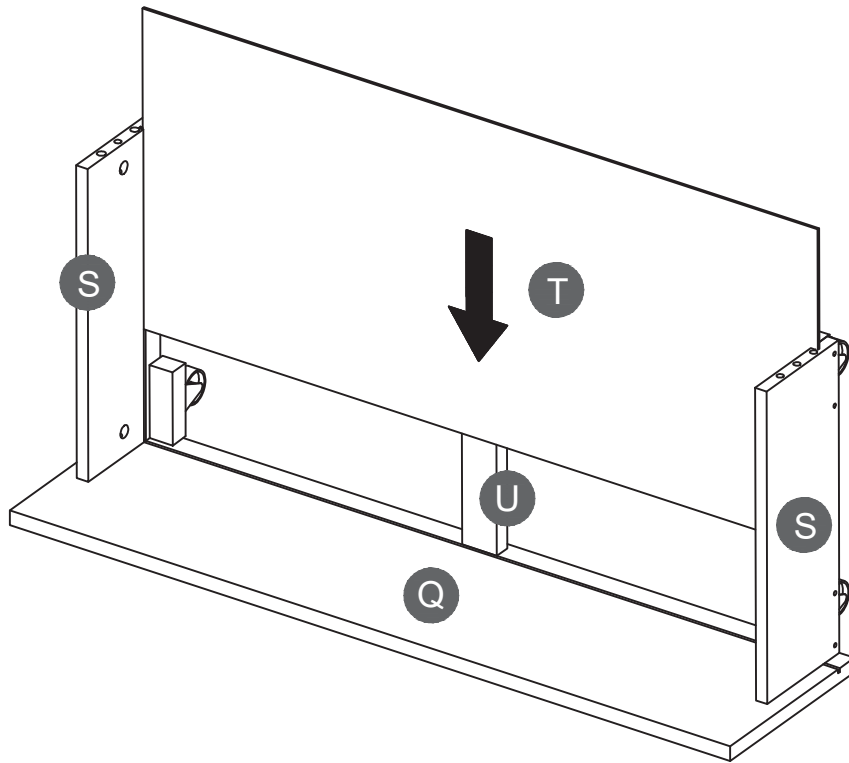
**STEP 10:**

<b>1</b>		<b>18</b>		<b>19</b>	
<b>4PCS</b>		<b>12PCS</b>		<b>4PCS</b>	






**x 2**

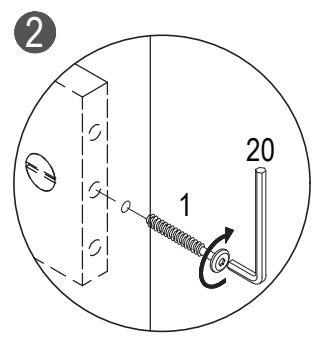
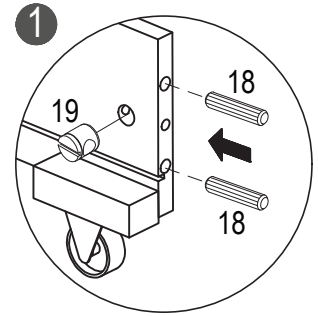
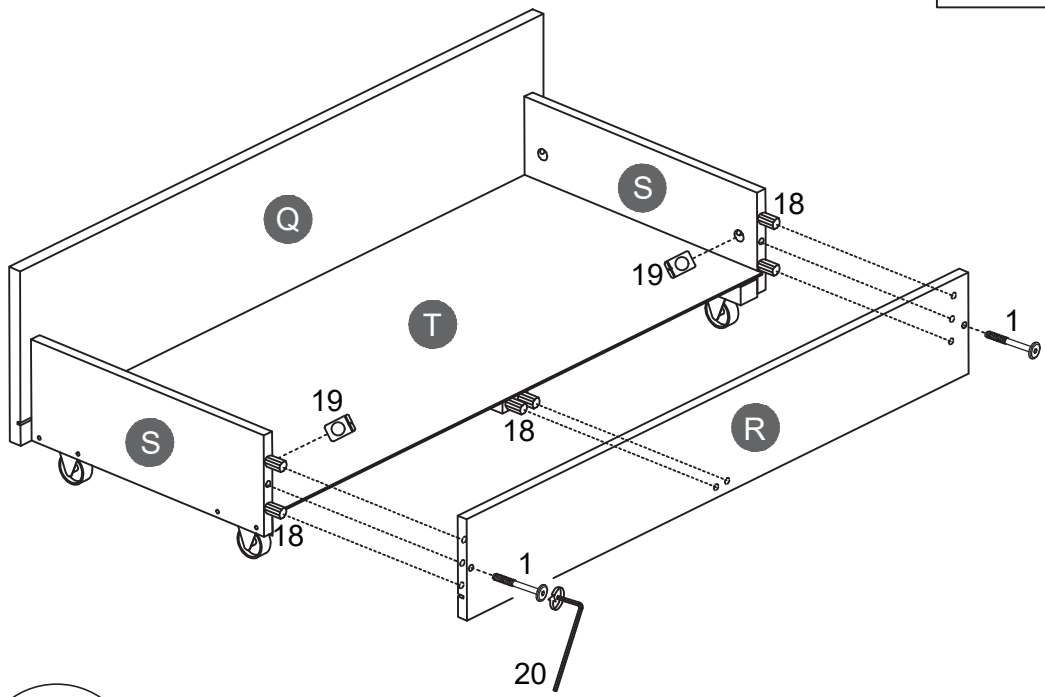
**STEP 11:**



**x 2**

**STEP 12:**

<b>1</b>		<b>18</b>		<b>19</b>	
<b>4PCS</b>		<b>12PCS</b>		<b>4PCS</b>	



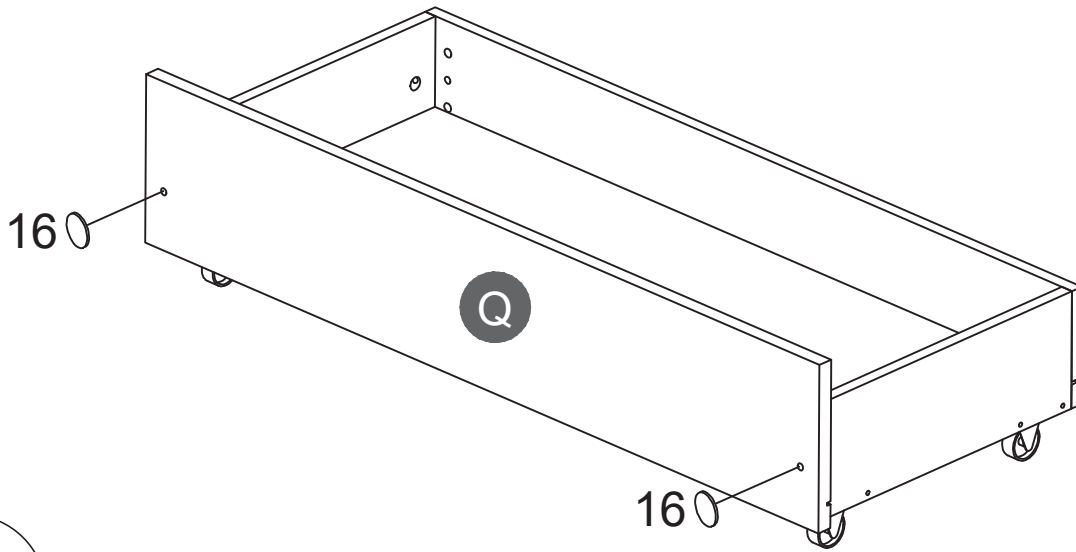
**x 2**

**STEP 13:**

**16**



**4PCS**



**x 2**

