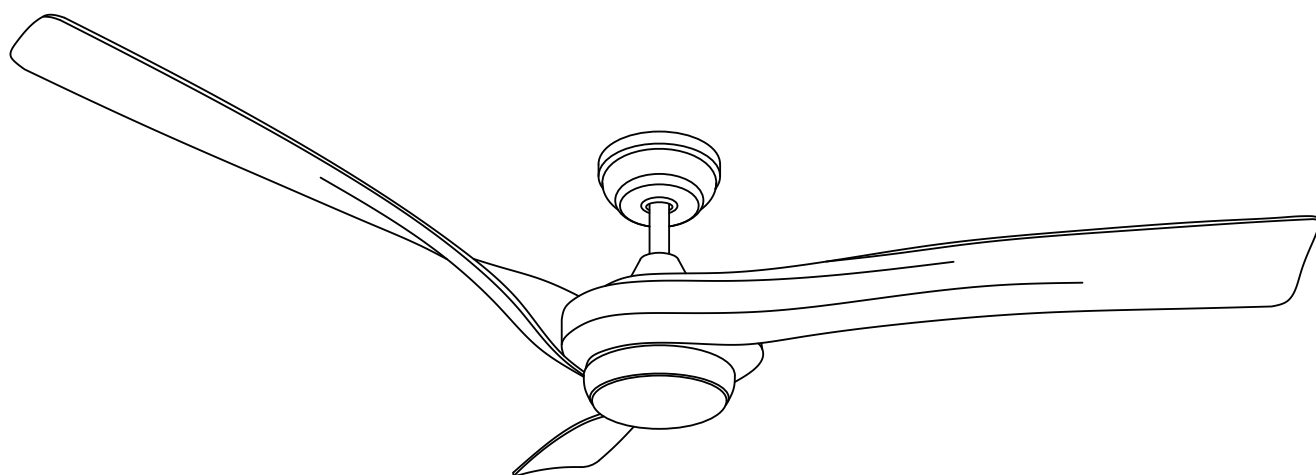


CEILING FAN AND LIGHT

Instruction Manual



CFABSQB52IN3YDG

SAFETY INFORMATION

Warning

- To reduce the risk of electric shock, ensure electricity has been turned off at the circuit breaker or fuse box before beginning.
- All wiring **MUST** be in accordance with national and local electrical codes. Electrical installation should be performed by a qualified licensed electrician.
- This fan is suitable for use with solid-state speed controls.
- To reduce the risk of personal injury, **ONLY** use the fasteners provided with the junction box for mounting to the junction box. Most junction boxes commonly used for the support of lighting fixtures are **NOT** acceptable for fan support and may need to be replaced. Consult a qualified electrician if in doubt.

TO REDUCE THE RISK OF FIRE, ELECTRIC SHOCK, & PERSONAL INJURY, MOUNT THE FAN TO A JUNCTION BOX MARKED "ACCEPTABLE FOR FAN SUPPORT".

- The junction box and support structure **MUST** be securely mounted to create a level surface within 10° of horizontal and **MUST** be capable of reliably supporting a minimum of 50 pounds (23 kg). **ONLY** use UL listed junction boxes marked "FOR FAN SUPPORT".
- After electrical connections are completed, spliced conductors should be turned upward and pushed carefully up into the junction box. The wires should be spread apart with the grounded conductor and the equipment-grounding conductor on one side of the junction box.
- The fan **MUST** be mounted with a minimum clearance of 7 feet (2.5 m) from the trailing edge of the blades to the floor.
- **DO NOT** use the reverse switch while the fan blades are in motion. To prevent damage and ensure long use, the fan **MUST** be turned off and the blades stopped before reversing direction.
- **DO NOT** place objects in the path of the blades.
- Exercise caution when working around or cleaning the fan.
- Use a soft dry cloth to clean the fan body and blades. **DO NOT** use water or detergent.
- The electrical diagrams provided herein are for reference only. Light kits that are not packaged with the fan **MUST** be UL listed and suitable for use with this fan. Switches **MUST** be UL general use switches. Refer to their separate instructions for proper assembly.

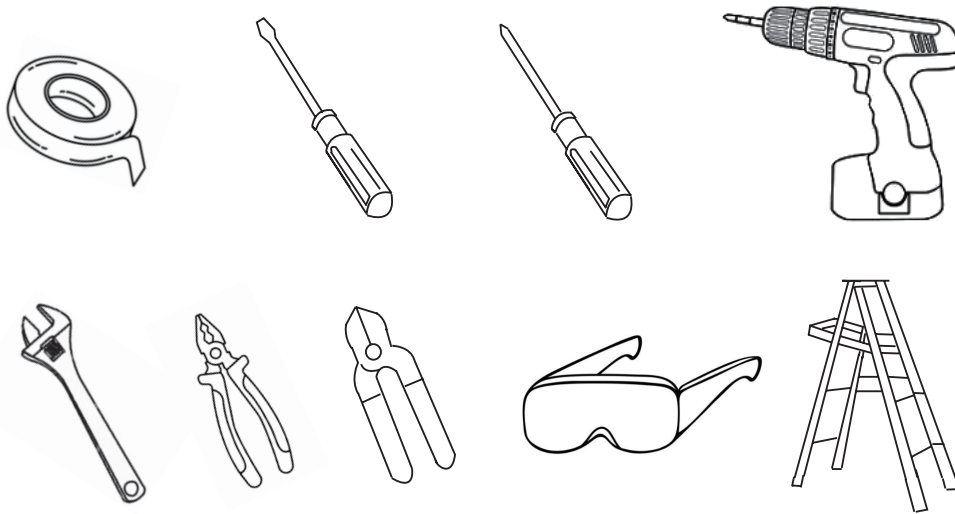
NEVER BEND THE BLADES FOR ANY REASON.

INTRODUCTION

Before beginning installation of this product, refer to **Parts Diagram** on Page 2 and ensure all parts are present and display no defects. If any part is missing or damaged, contact customer service and do not attempt to install the product. Read all of the safety information on Page 3 before installation or use.

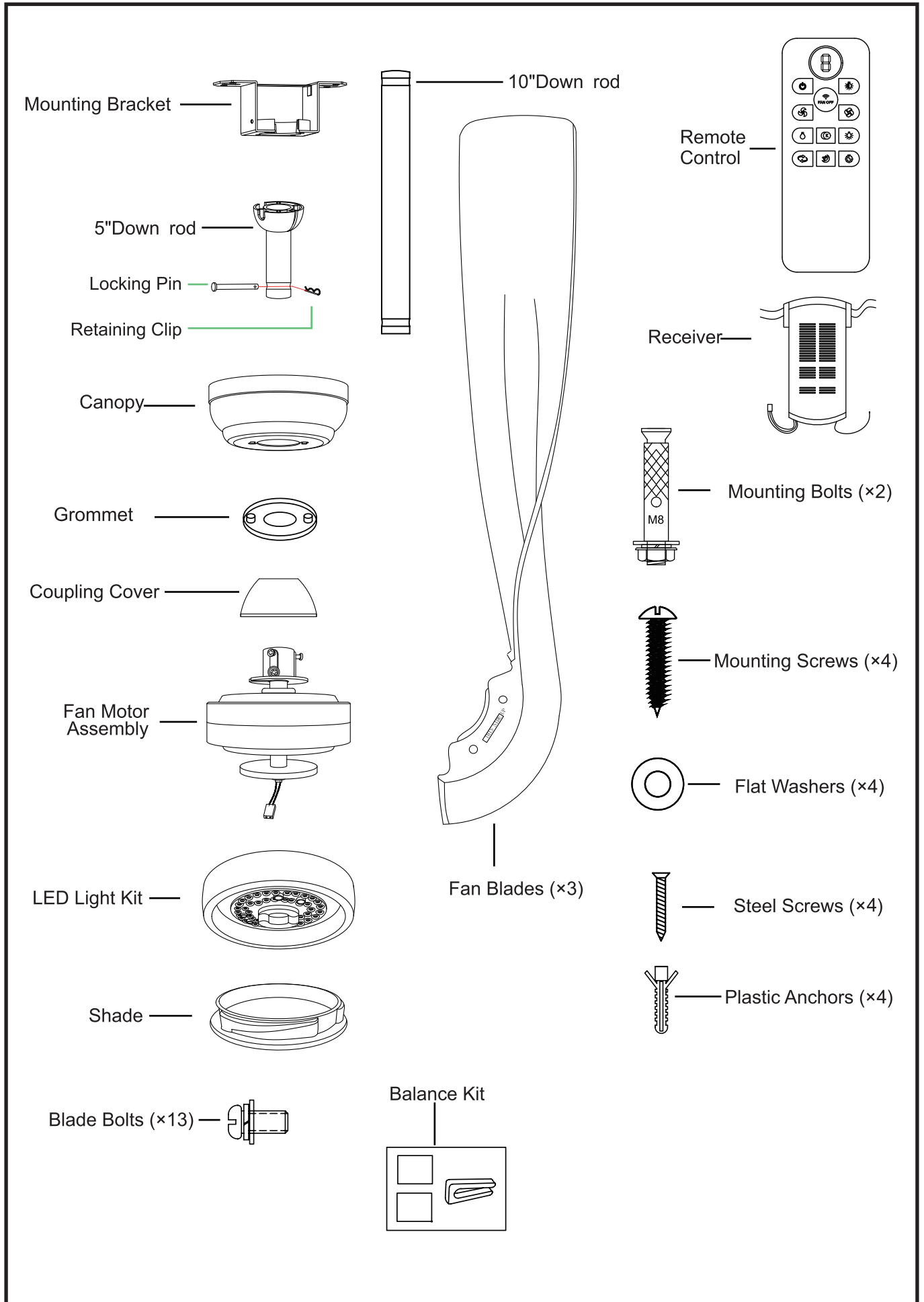
Estimated assembly time: 120 minutes

Additional tools required for assembly: Electrical tape, flathead & Phillips screwdriver, power screwdriver, adjustable wrench, pliers, wire strippers, safety glasses, and ladder



Additional helpful tools: AC tester light, tape measure, wiring handbook, and wire cutters

PARTS DIAGRAM



PREPARATION

1

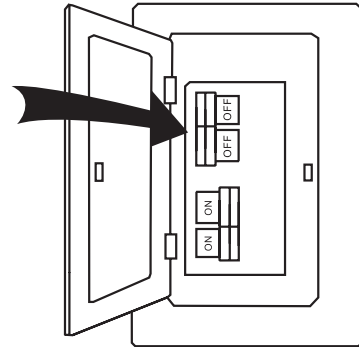
Turn off Your Power

Begin installation by removing fuses or turning off circuit breakers to the wiring you will be using.

Use your compatible UL listed junction box if you already have one installed.

Warning

Failure to disconnect the power supply prior to installation may result in serious injury or death.



2

Choose Your Mounting Position

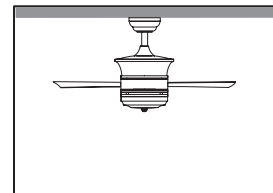
If you need to install a new UL listed junction box, secure it directly to your building's structure using appropriate fasteners and materials.

Caution

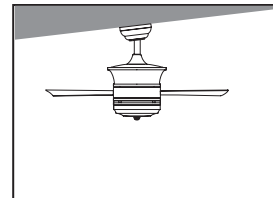
DO NOT use plastic boxes.

The junction box and its supports **MUST** be able to support the **MOVING** weight of the fan (at least 50 lb. or 23 kg) and be rated for fan support.

The junction box should create a level surface for the fan that is **NOT** sloped greater than 10 degrees from horizontal in any direction.



Use **ONLY** on Flat Ceilings ($\pm 10^\circ$)



DO NOT Use on Steep Slopes

3

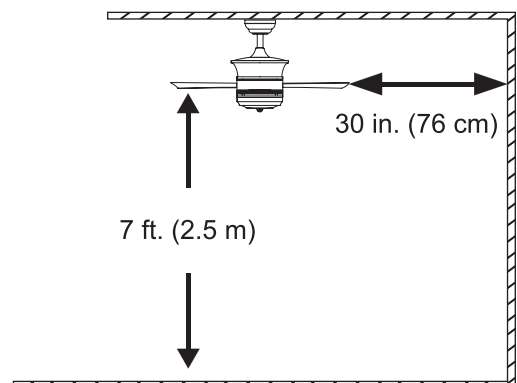
Choose a Suitable Location

Ensure the blades will be at least 30 inches (76 cm) from any obstruction and at least 7 feet (2.5 m) above the floor.

In locations without a ceiling joist, a hanger support bar may be required.


Caution

DO NOT install in damp locations.

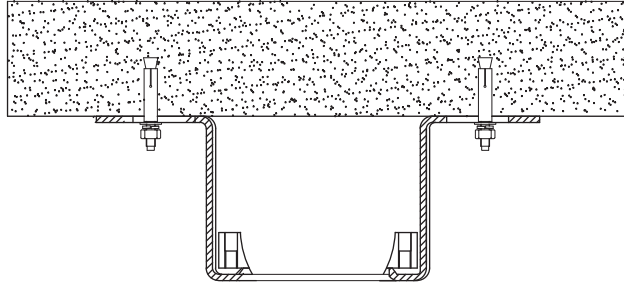


INSTALLATION

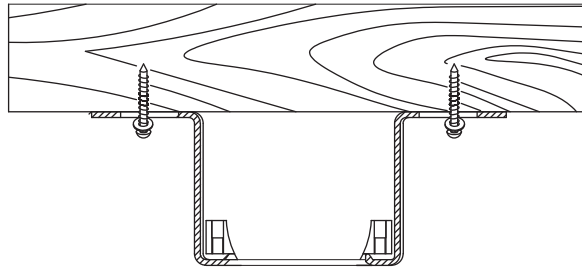
Mounting Bracket

 The ceiling fan must be installed in the location where there is 12" (300mm) spacing from the tips of all blades to the nearest objects or walls. REMEMBER to turn off the power before hanging the fan. Follow the instruction below to hang your fan properly:

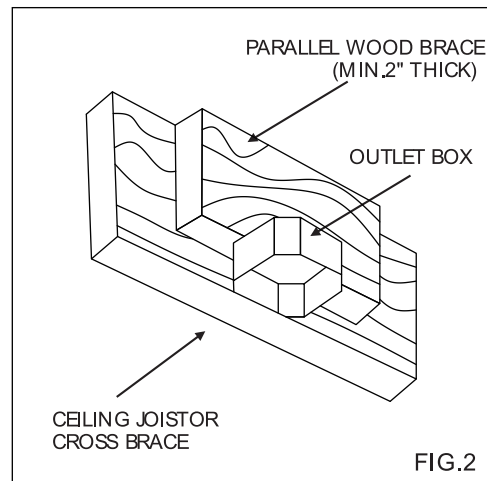
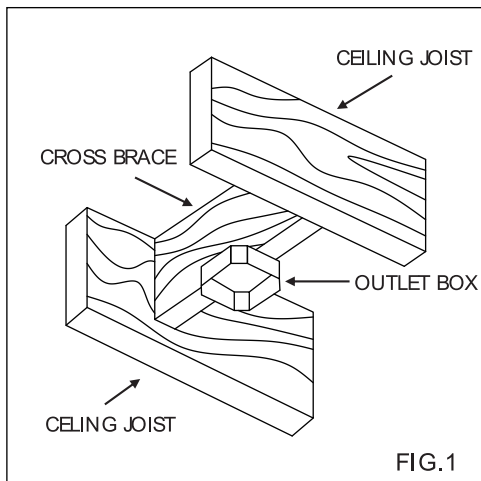
1. For concrete ceiling, drill two holes in the ceiling and secure the Suspension bracket to the ceiling with two 0.32" (8mm) (distance between the two holes should be appropriate) expansion screws, flat washers and nuts provided and tighten with a spanner.



2. For wood ceiling, secure the Suspension bracket to the ceiling that is capable of carrying a load of at least 50lbs (23kgs) with four long mounting screws and washers provided. Be sure at least the Mounting Screws is threaded into the support.



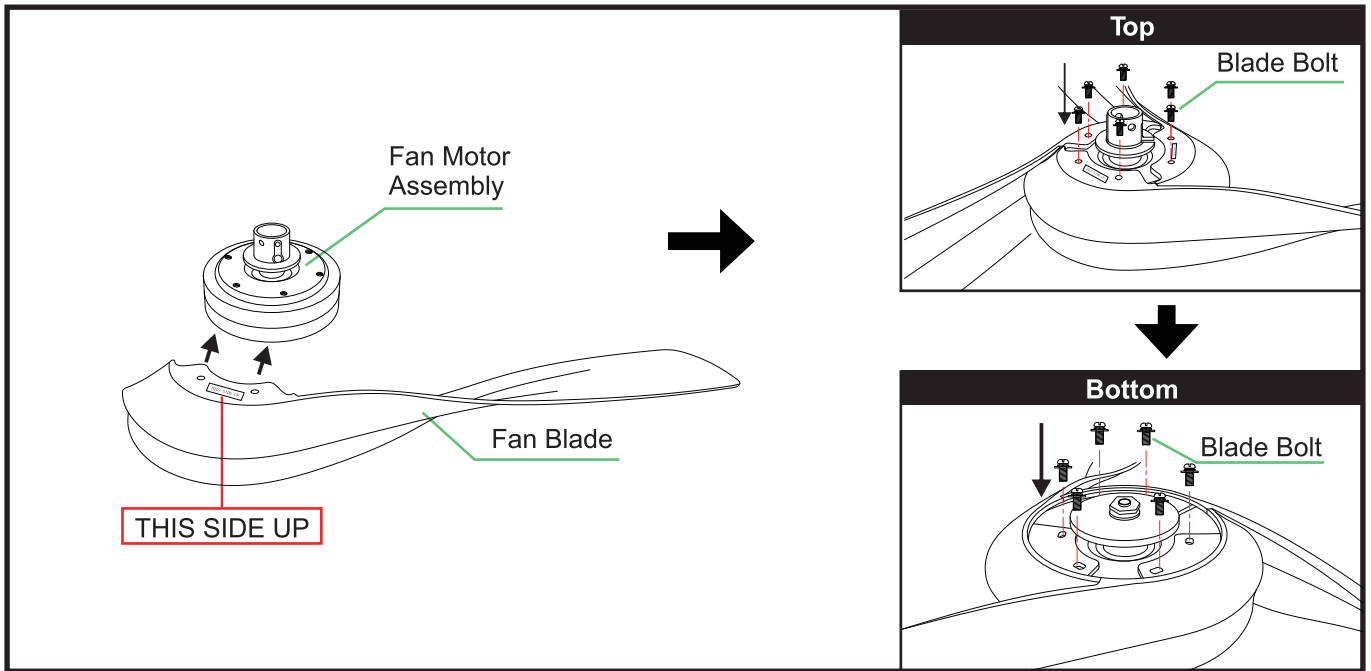
3. For installing the outlet box, secure it directly to the building structure. Use appropriate fasteners and building materials. The outlet box and its support must be able to fully bear the moving weight of the fan (at least 100lbs). Use a CE listed metal outlet box instead of plastic ones. Figure 1 & 2 show the examples of mounting the outlet box.



INSTALLATION

Fan Blades

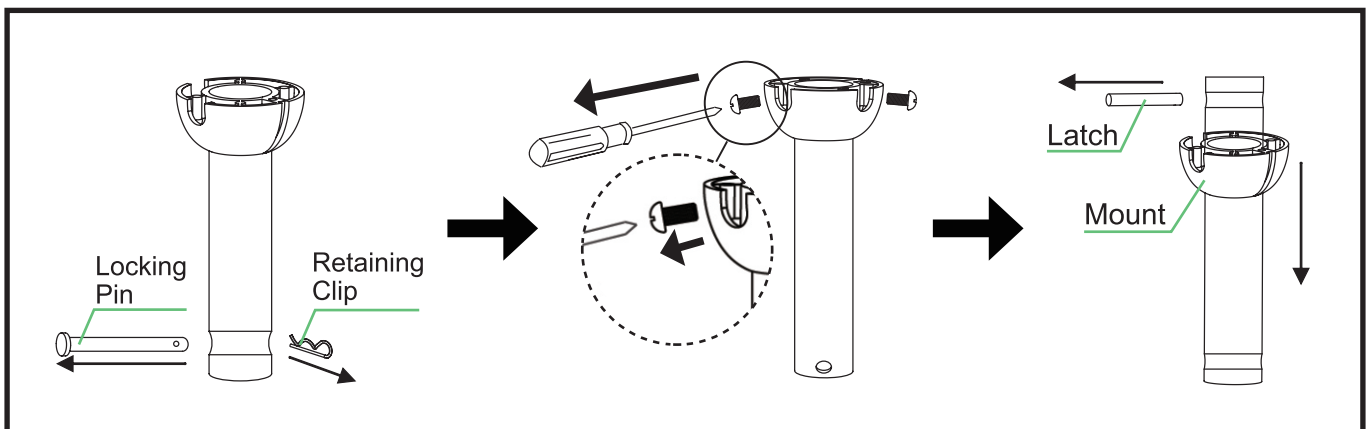
1. Fit a fan blade onto the fan motor assembly, allowing the side marked “ **THIS SIDE UP**” to face your ceiling.
2. Align the blade’s holes with those on the top and bottom sides of the motor assembly.
3. Making sure the blade is straight, attach four blade bolts to secure it in place.
4. Repeat for the remaining blades.



Downrod and Motor

You can choose a 5 "or 10" downrod to match the height of the ceiling.

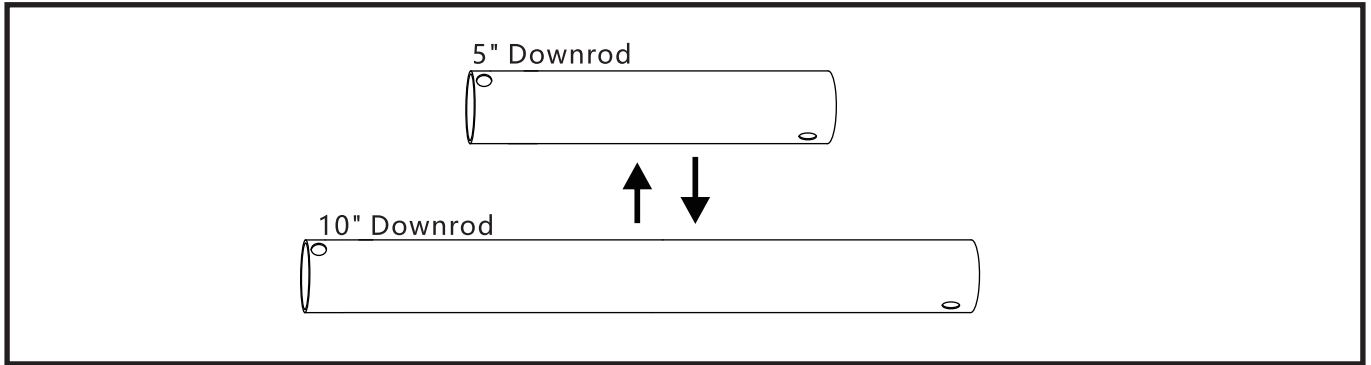
1. Remove the retaining clip and locking pin from the lower part of the 5" downrod.
2. Unscrew the two Phillips bolts from the mount of this downrod.
3. Slide down the mount away from this downrod.
4. Pull the latch out of the upper slot of this downrod.



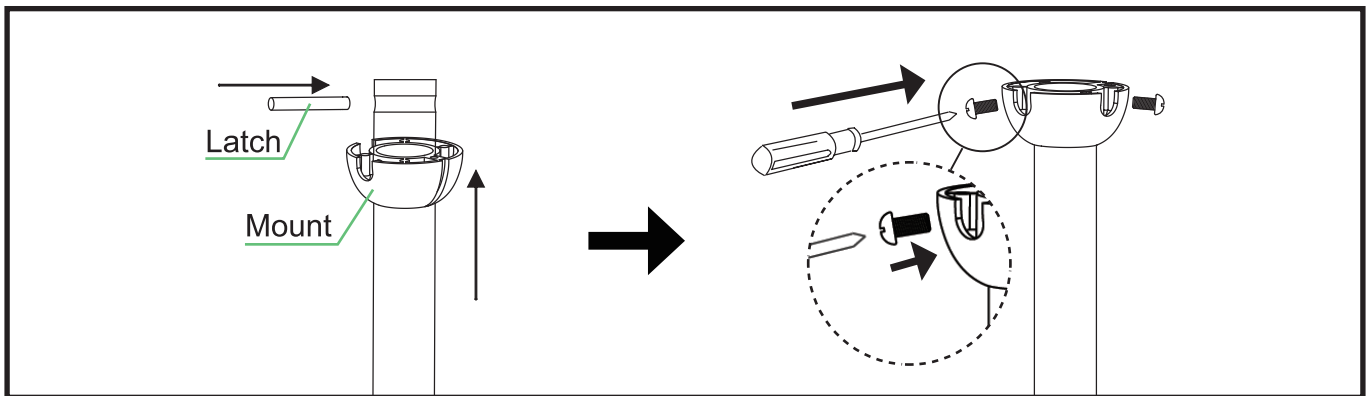
INSTALLATION

Downrod and Motor

5. Then you can replace the 5 "short rod with a 10" long rod.



6. Use the reverse steps to install them back

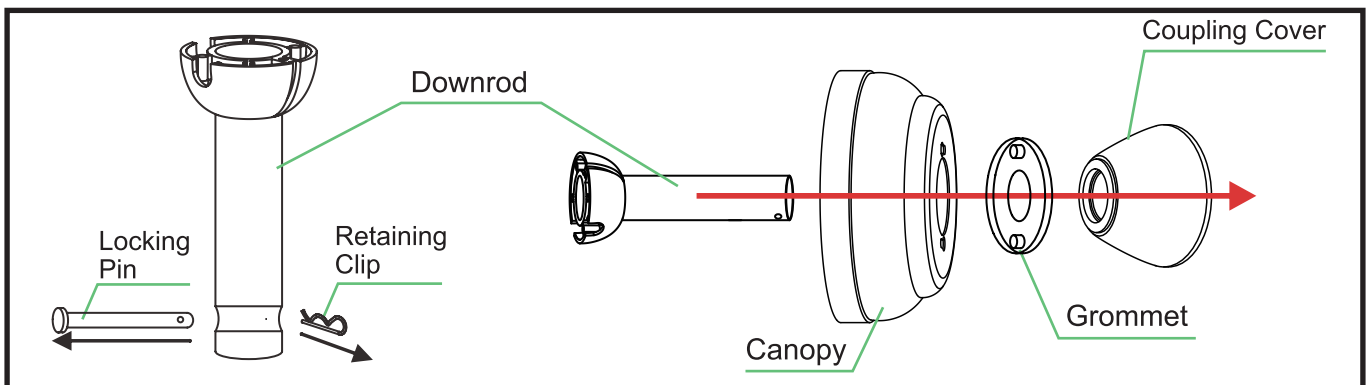


Warning

Failure to reattach the locking pin and retighten the Phillips bolts can cause the fan to fall from the ceiling during operation.

Attaching the Downrod to the Motor

1. Ensure that the retaining clip and locking pin have been removed from the downrod
2. Pass the downrod through the canopy, grommet, and coupling cover as shown.

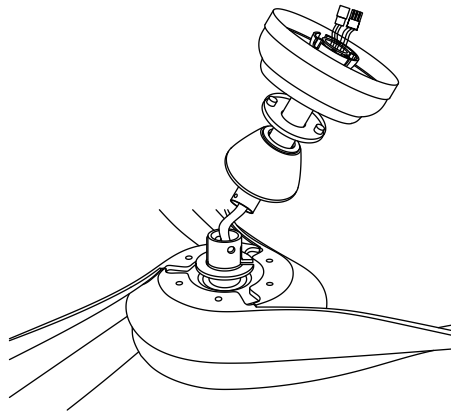


INSTALLATION

Downrod and Motor

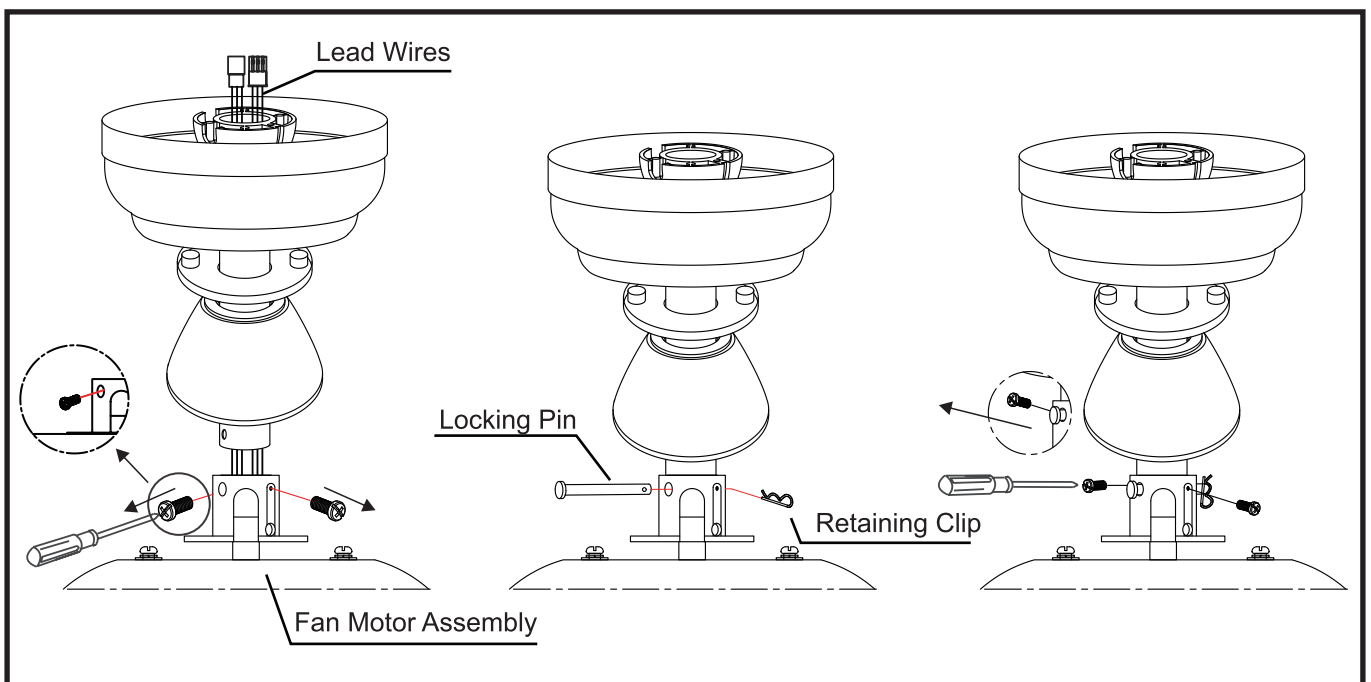
Attaching the Downrod to the Motor

3. Feed the lead wires from the fan motor assembly through the downrod.
4. Loosen the two Phillips bolts at the top of the fan motor assembly.
5. Fit the downrod onto the motor's top, aligning their slots.
6. Partially fasten the downrod by replacing the previously removed locking pin and retaining clip.
7. Retighten the previously loosened bolts until the downrod is locked into place.



Warning

Failure to reattach the locking pin and retighten the Phillips bolts can cause the fan to fall from the ceiling during operation.



INSTALLATION

Downrod and Motor

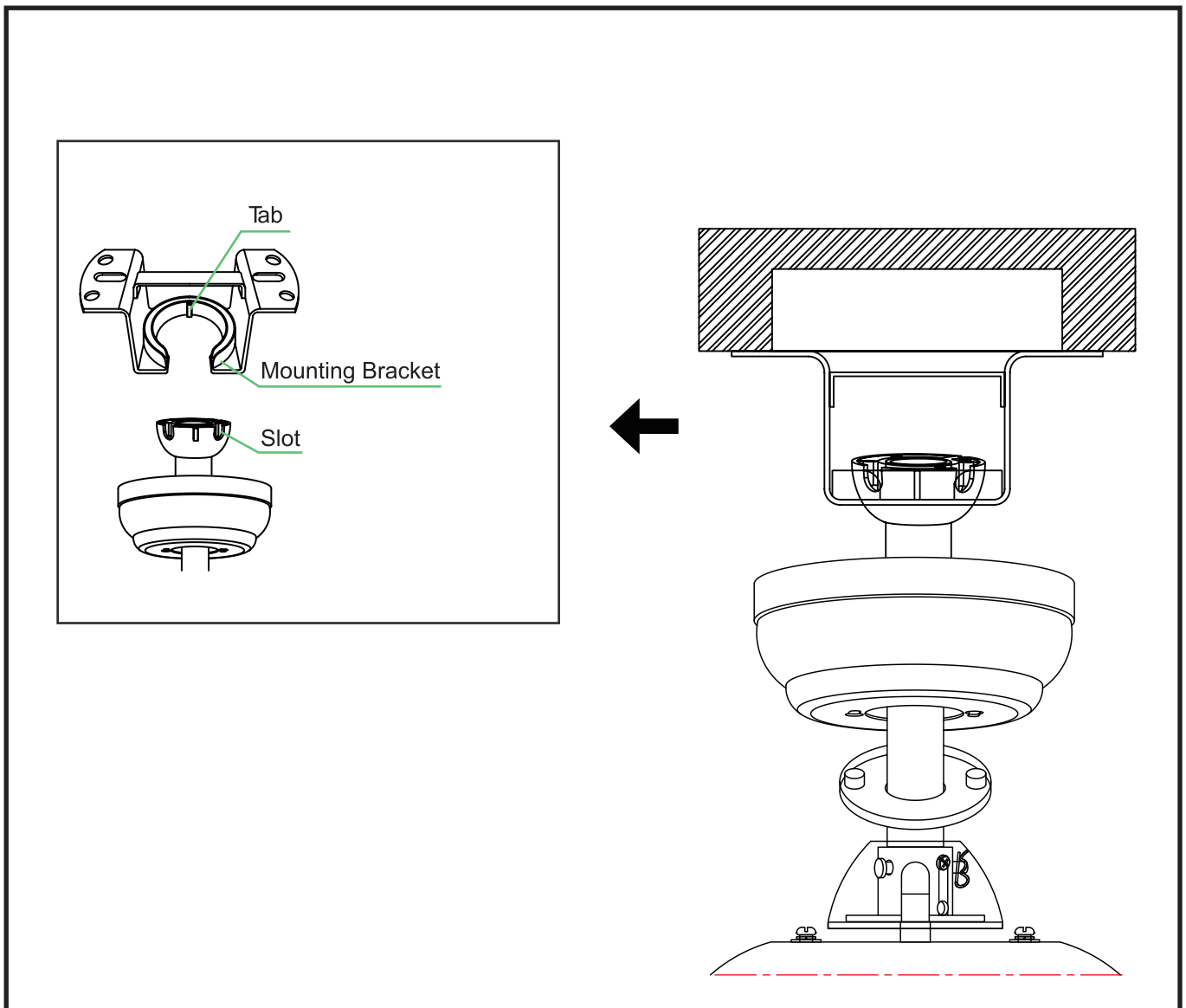
Hanging the Downrod and Motor

1. Place the downrod's mount onto the mounting bracket.
2. Rotate the entire assembly until the tab has dropped into the mount's slot and locks itself in place.

Warning

Failure to properly seat the downrod can cause the fan to fall from the ceiling during operation.

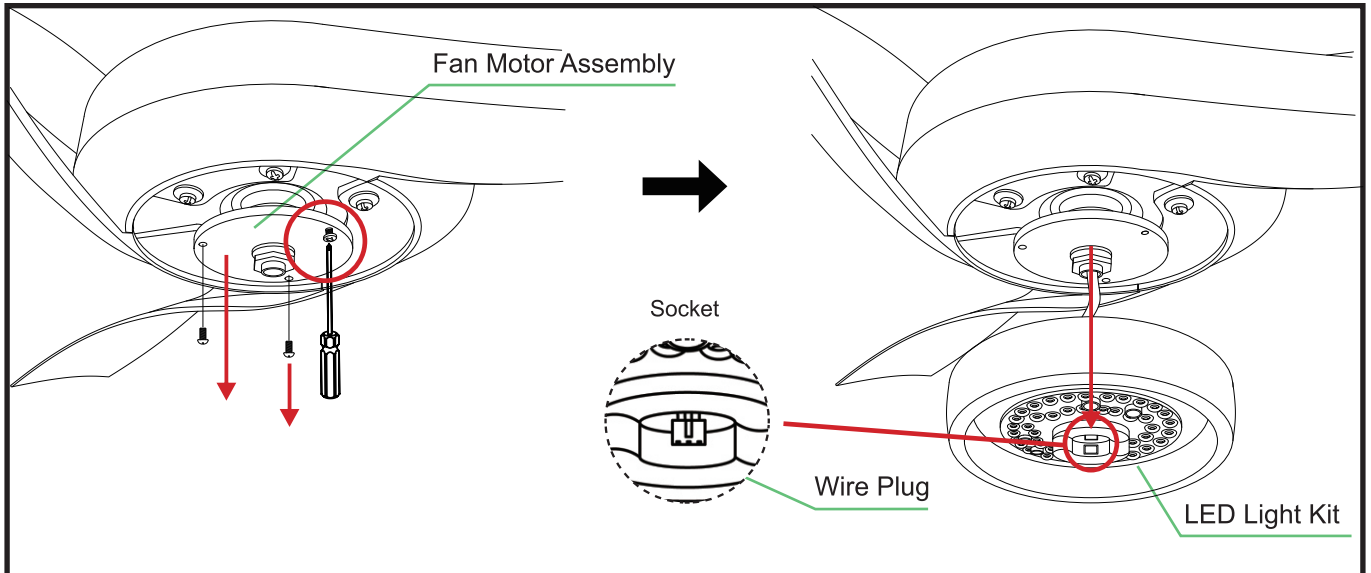
DO NOT use the fan before ensuring it is properly secured and the motor assembly cannot rotate.



INSTALLATION

Installing The Light Kit

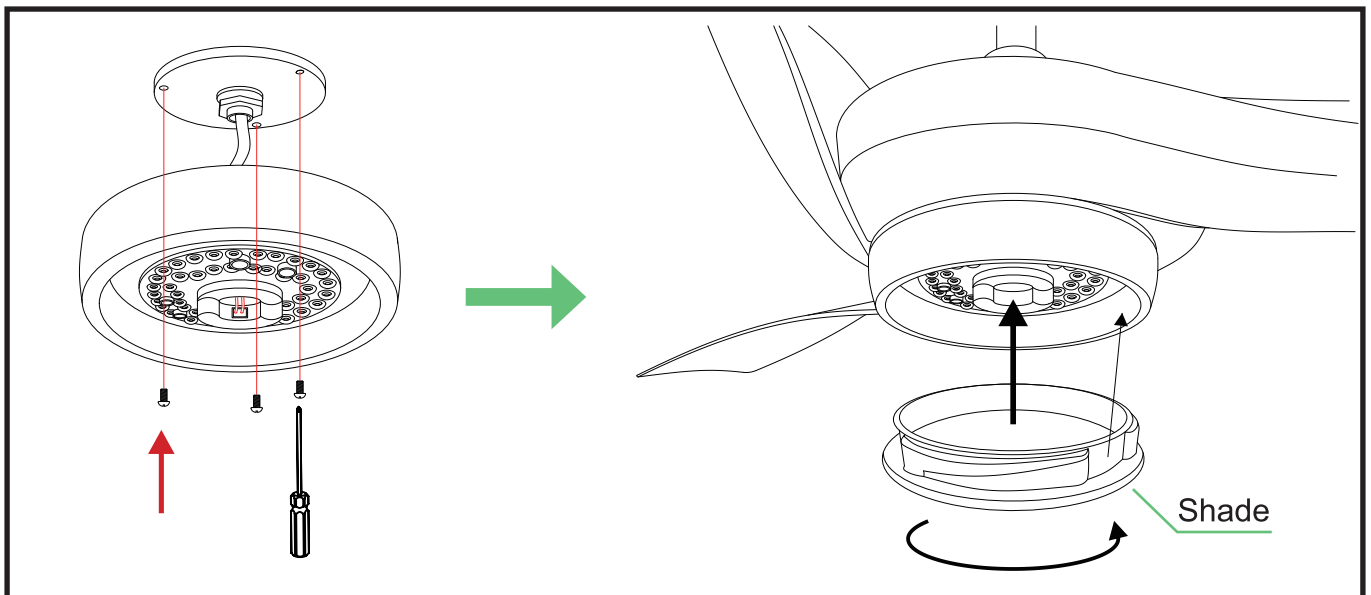
1. Remove the bolts from the bottom of the fan motor assembly.
2. Feed the wire plug of the fan motor assembly through the middle of the LED light kit.
3. Connect the wire plug to the socket on the LED light kit.



4. Position the light's mounting plate against the motor, aligning their holes.
5. Replace and tighten the removed bolts to secure the LED light kit into place.
6. Fit the shade onto the LED light kit, rotating until it sits well on the tabs of the light plate.

Caution

Ensure the shade is firmly connected to avoid loosening during use.



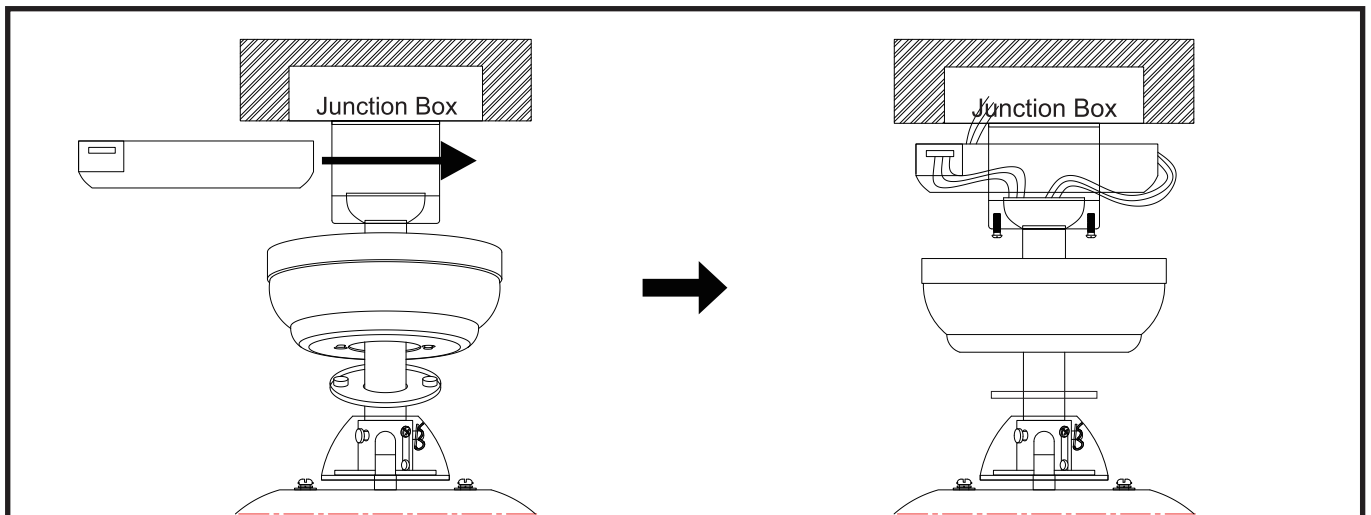
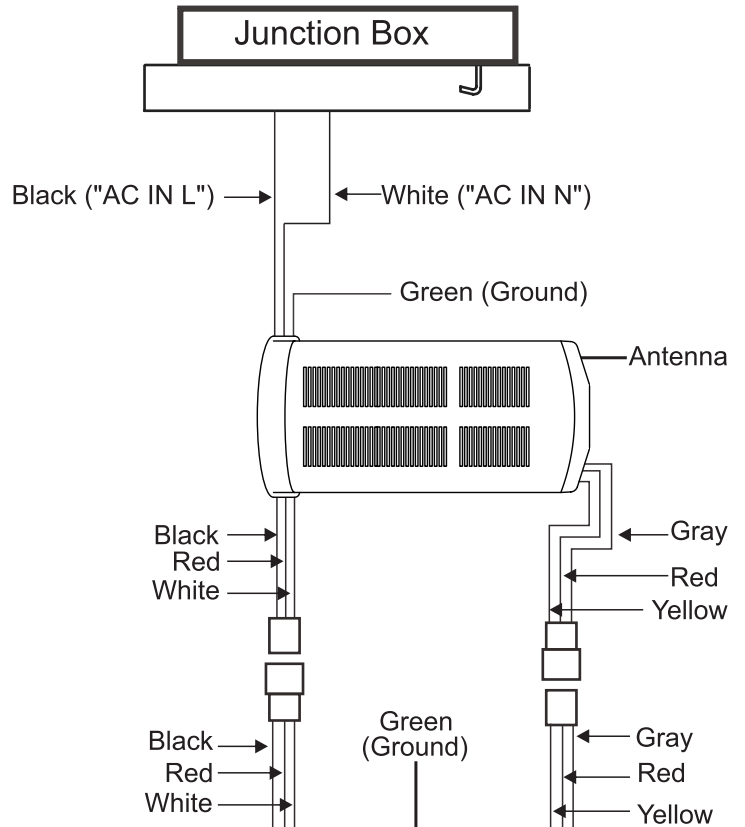
INSTALLATION

Wiring

Warning

Again, ensure that the power has been cut before working with the wiring. Use the wire nuts provided with your fan. Ensure there are no loose wires or connections and secure connectors with electrical tape.

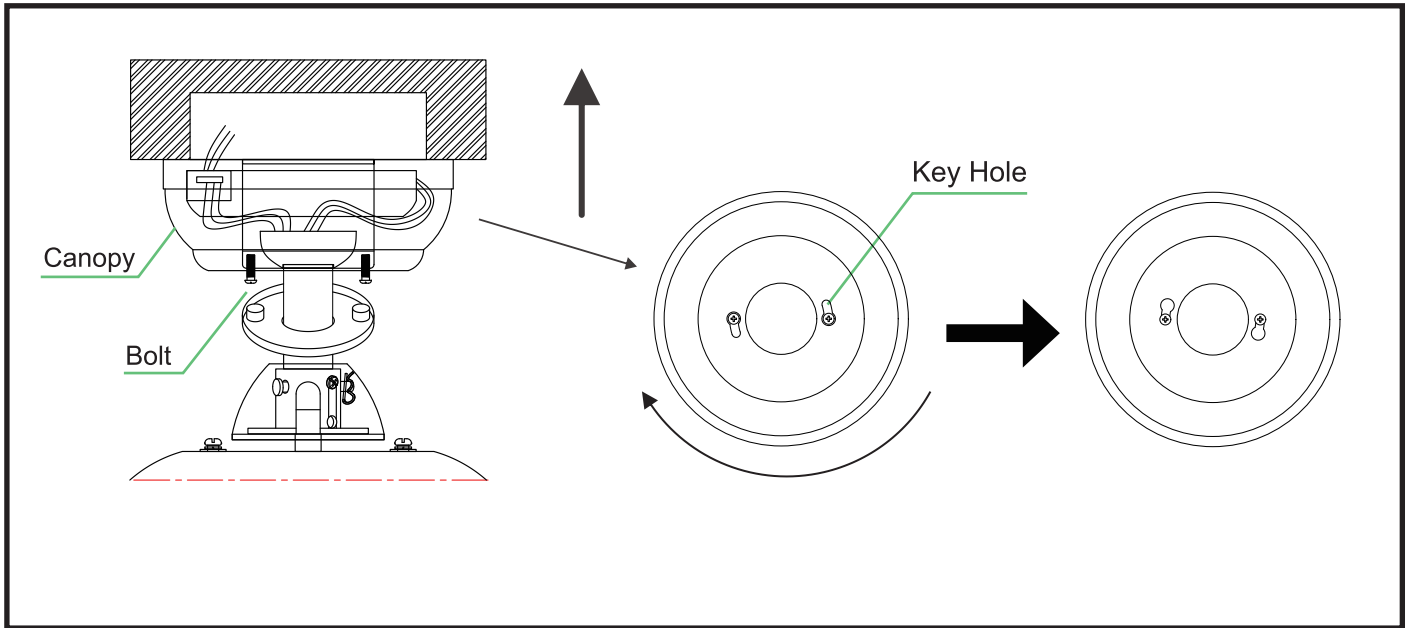
1. Connect the main power and 3-prong motor plugs to their matching sockets on the receiver.
2. Connect the wires and secure each set with the provided wire nuts, ensuring they are securely fastened by gently tugging on each connection.
 - a. Connect the 2 colored wires of the main power plug to the 2 identically colored wires from the junction box.
 - b. Connect the 3 colored wires of the motor plug to the 3 identically colored wires from the fan motor assembly.
 - c. Connect the green or bare copper ground wire from the junction box to the fan's green ground wires.
3. Separate the white and green wire connections from the black wire connection, which should be kept on the opposite side of the junction box.
4. Insert the receiver into the tray at the top of the fan motor assembly, ensuring it faces the ceiling and its white antenna remains extended and not tangled with any of the electrical wires.
5. Tuck all wire connections neatly into the junction box.



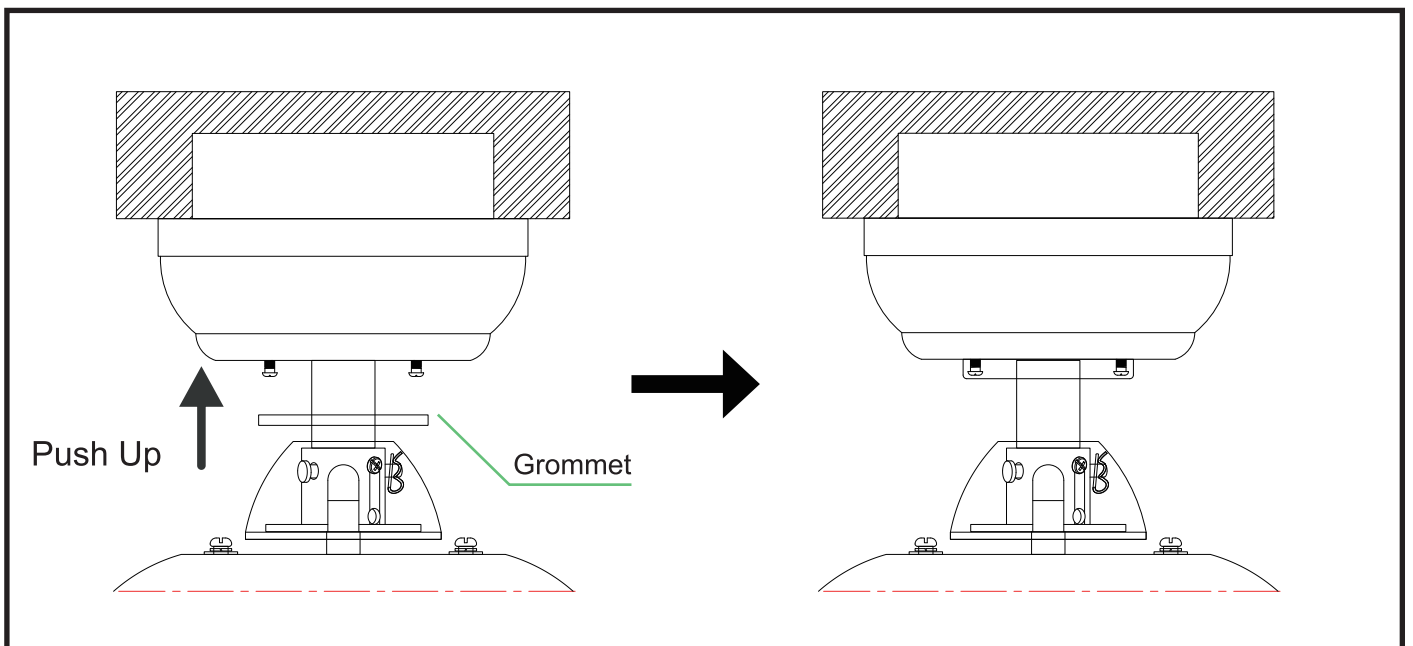
INSTALLATION

Canopy

1. Slide the canopy up to the mounting bracket.
2. Place the key holes over the bolts preinstalled on the bracket.
3. Rotate the canopy until the bolts' heads lock in place at the narrow sections of the key holes.
4. Tighten these bolts as needed.



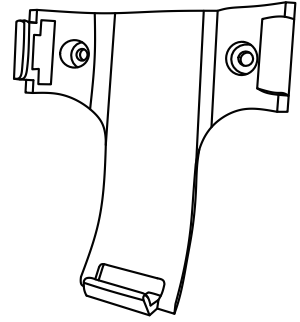
5. Attach the grommet to the bottom of the canopy using its magnets.



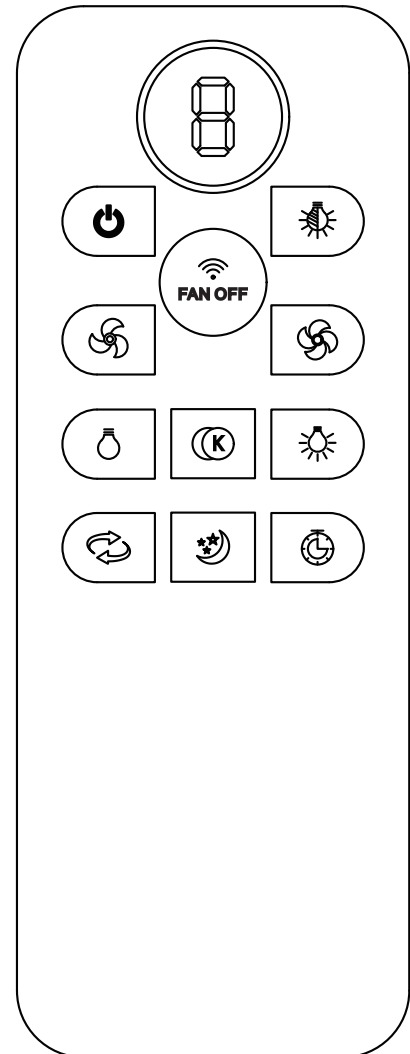
REMOTE CONTROL OPERATION

This remote operates within a range of 30 feet (10 m) using two 1.5V AAA batteries (not included). If the remote will not be used for a prolonged period, it is recommended to remove the batteries for better service life.

If needed, install the remote control holder onto a wall or any other suitable flat surface using appropriate fasteners. For wood or other thinner and weaker surfaces, use the provided steel screws and plastic anchors. For reinforced concrete or similar surfaces, use anchor bolts for best results.




1. Press the "⏻" button to power off the fan and LED lamp together.
2. Press the "☀️" button to turn the LED light on or off.
3. Press the "FAN OFF" button to power off the fan.
4. Press the "🌀" button to sequentially reduce the fan speed from high gear to low gear.
5. Press the "🌀" button to sequentially increase the fan speed from low gear to high gear.
6. Press the "🕒" button to gradually decrease the light brightness.
7. Press the "☀️" button to gradually increase the light brightness.
8. While the LED light is on, press the "Ⓚ" button to cycle through three color temperatures: cool white, daylight, and warm white.
9. Fan reverse button 🔄
NOTE: To operate the reverse function on this fan, press the reverse button while the fan is running at any speed. The fan will stop completely then run for the reverse direction.
Speed settings for warm or cool weather depend on factors such as the room size. Ceiling height, number of fans and so on.
10. Press the "🌙" key to activate night light mode.
11. Pressing the "🕒" button will automatically turn fan off after 1/2/4/8 hours.
12. Press and hold the "🔕" button for 5 seconds to disable the remote control's buzzer sound. To re-enable the buzzer, press and hold the same button again for 5 seconds when the buzzer is already off.



TROUBLESHOOTING

 **Caution**

***DO NOT** bend the blade during **ANY** of the following procedures.*

Potential Problems	Common Solutions
Fan blades don't rotate.	Reconnect the fan to power. Within 10 seconds, press the “  ” on the transmitter, the fan will beep, now paired and ready to operate.
	Check fuses and/or circuit breakers and reset if needed.
	Cut off power to the fan and check its internal electrical connections.
	Replace the remote control's batteries.
	Check that the fan cover is correctly placed and no fasteners interfere with the movement of the blades.
	Contact customer service to replace a faulty remote control.
Fan is too noisy.	Check that all fasteners are well tightened.
	Ensure the canopy housing has a short distance between itself and the ceiling.
	Upon initial installation, allow 24 hours of use for the machine to break itself in.
	Cut off power to the fan and check that the wire nut connections are not rubbing against one another or the inner housing.
	If you have installed a solid-state variable-speed control, cut off power to the fan and disconnect this control from the device. See if using the remote resolves the problem, which can be caused by erratic signals from such controls.
Fan wobbles during use.	Check that all fasteners are well tightened.
	Use the provided blade balancing kit to adjust the blades if their tips are found to be an unequal distance from the ceiling while well fastened.
	Exchange the position of the various blades.
The receiver beeps during the adjustment of the LED light's brightness or color temperature	When the light is at its highest brightness or coolest color temperature, the receiver will beep if you further increase either value. When the light is at its lowest brightness or warmest color temperature, the receiver will beep if you further decrease either value. Stop such further adjustments and the beep will cease. This is normal and needs no repair.
	Contact customer service or a trained technician for inspection, repair, or replacement of any problematic part.

How To Use Balancing Kits

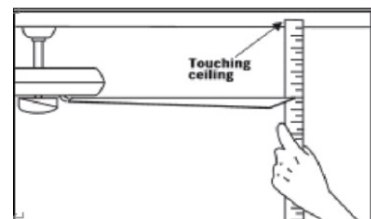
NOTE: ceiling fans tend to move during operation due to the fact that they are mounted on a sponge cushion. if the fan was mounted rigidly to the ceiling, it would cause excess vibration, movement of a few centimeters is quite acceptable and does not suggest any problems

TO REDUCE FAN WOBBLE: PLEASE CHECK THAT ALL SCREWS WHICH SECURE THE MOUNTING BRACKET AND DOWNROD ARE SECURE

BALANCING A WOBBLING CEILING FAN

please follow this procedure when balancing the fan:

1. Check that all blades and blade arm screws are secure.
2. Most fan wobbling problems result from blade levels are unequal. Check this level by selecting a point on the ceiling above one fan blade's tip. Measure this distance. Rotate the fan until the next blade is positioned for measurement. Repeat for each blade. The distance deviation should be equal within 1/8" (0.32cm).
3. Use the enclosed blade balancing kit if the blade wobbling is still noticeable.
4. If the blade wobble is still noticeable, interchanging two adjacent (side by side) blades can redistribute the weight and possibly result in smooth operation.



 **WARNING:** TO REDUCE THE RISK OF PERSONAL INJURY, DO NOT BEND THE BLADE ARM WHILE INSTALLING, BALANCING THE BLADES, OR CLEANING THE FAN. DO NOT INSERT OBJECTS BETWEEN ROTATING FAN BLADES

Maintenance And Cleaning

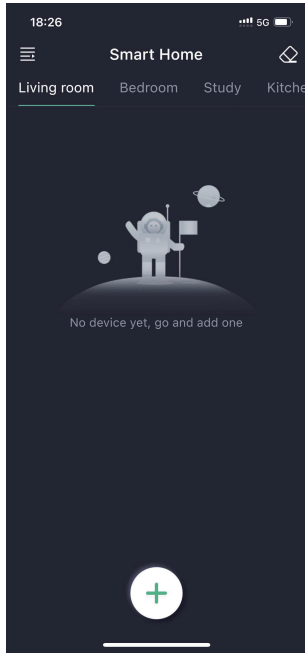
1. Periodically cleaning your ceiling fan is the only required maintenance. Use a soft brush or lint free cloth to avoid scratching the paint. Please turn off the electricity power before you clean your fan.
2. Do not use water when cleaning your ceiling fan. It could damage the motor or the blades or even evoke an electrical shock.
3. The motor has permanently lubricated ball bearing. No need to oil

NOTE: MAKE SURE THE POWER IS OFF IN THE ELECTRICAL PANEL BOX BEFORE YOU DO ANY CLEANING OR REPAIRS

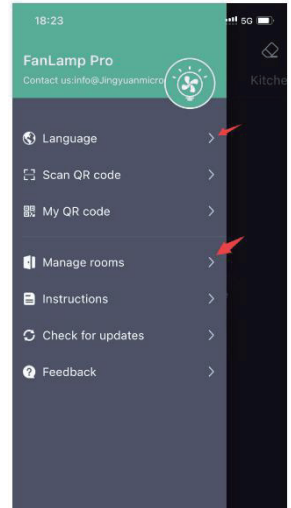
How TO Use the Mobile APP



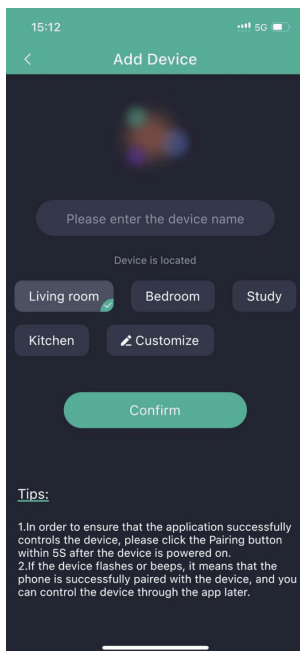
1. Scan the barcode and download the FANLAMPPRO APP
(Andriod could download from GOOGLE PLAY STORE)



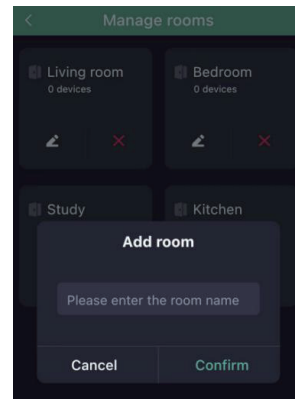
2. Choose the Language and Manage room information



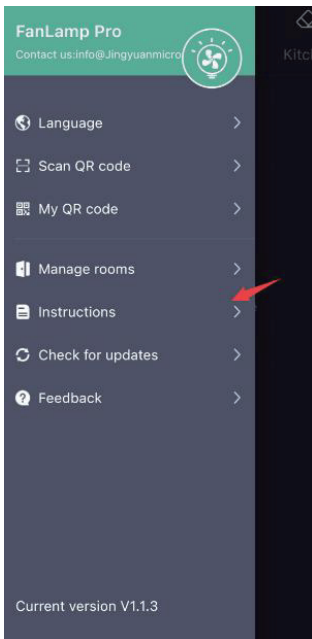
3. Add a new fan.



4. Choose a name for a new fan and select the room where it is located

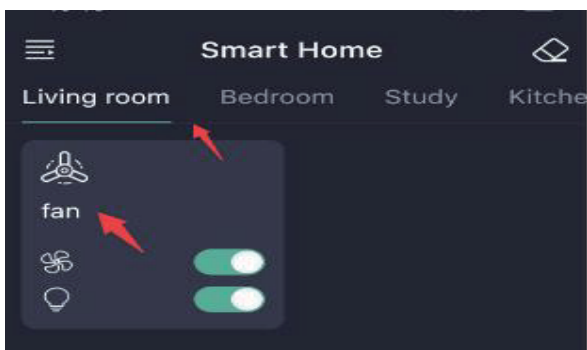
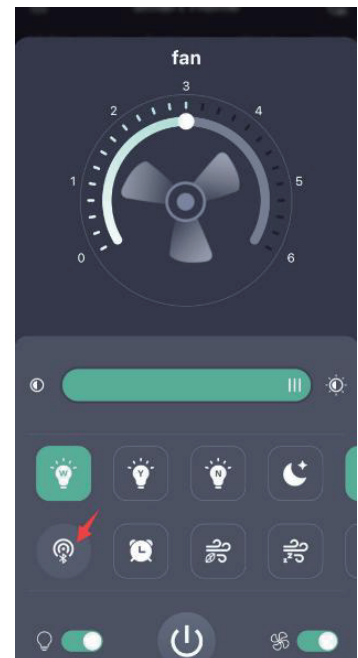


5. In case, it isn't located in one of the predetermined locations, select the Personalize option and add a new room.



6. Follow APP's instruction to operate the ceiling fan.
 NOTE: Only one device can be paired.
 Once a new device is paired, the previous device will no longer be.

7. Enter the main control interface, turn on the Bluetooth from smart phone, turn off the electric power supply, and then turn on the electric power supply again, the LED of the ceiling fan is bright and the Bluetooth of device is ready for connecting to smart phone. Finally, click the Pairing Button in APP within 5 seconds of power. If the pairing button is green, the ceiling fan has been connected with smart phone. APP can control the ceiling fan now.



8. Enter room and Click the Fan control interface.