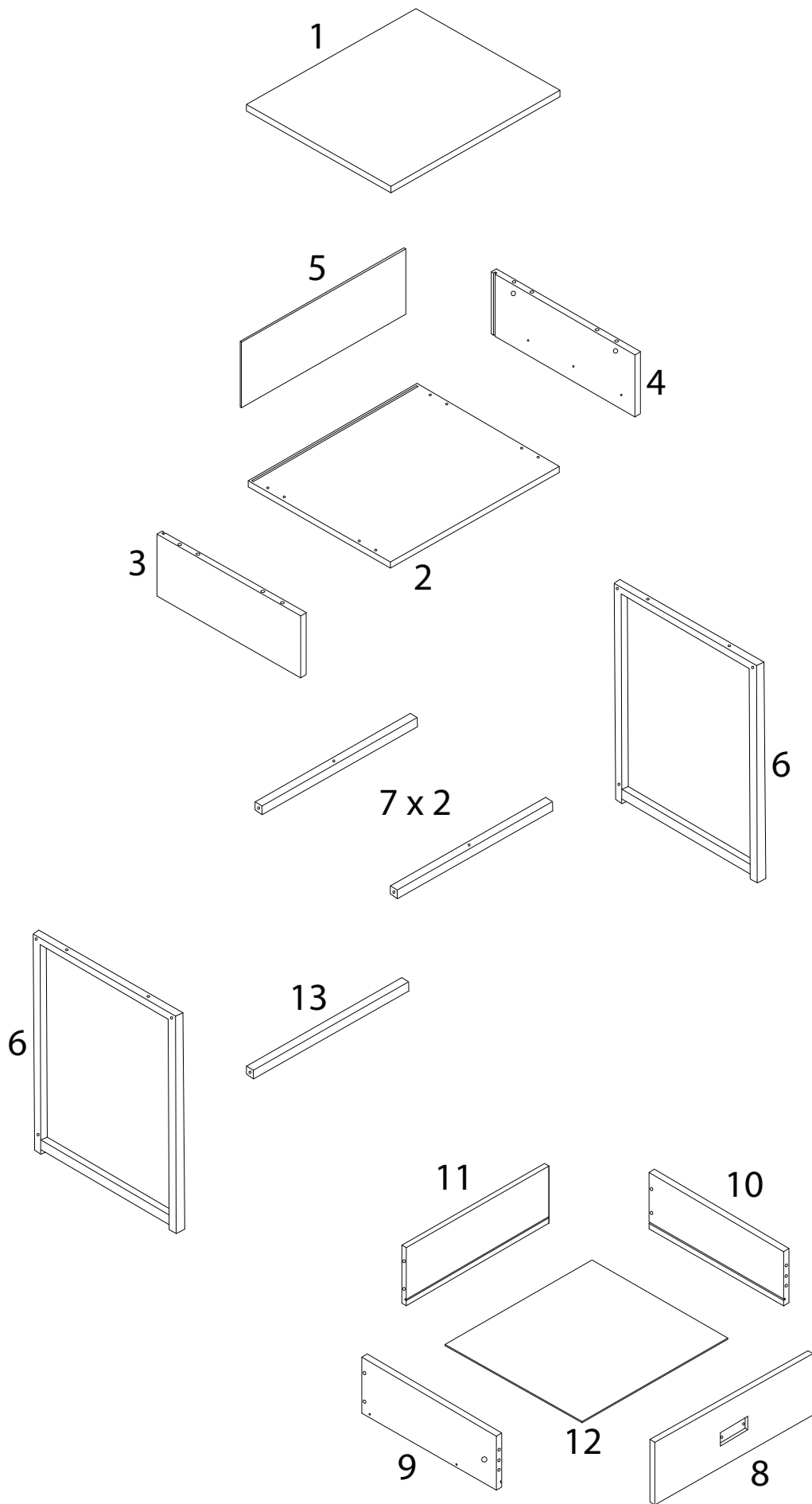
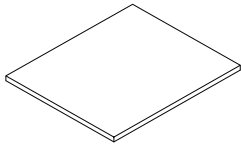


| | |
|---|--|
| A rounded rectangular box containing two icons: a screwdriver on the left and a power drill on the right. A diagonal line is drawn over the power drill icon. To the right of the box is a warning triangle containing an exclamation mark. | |
| 45' | |
| A rounded rectangular box containing two icons: a foam block on a mat on the left and a wood block on the right. A diagonal line is drawn over the wood block icon. To the right of the box is a warning triangle containing an exclamation mark. | |
| 1 | |

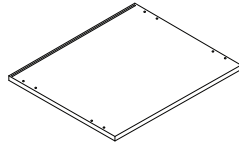


1



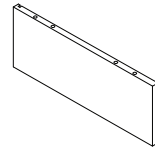
x 1

2



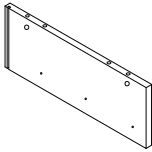
x 1

3



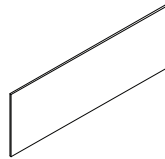
x 1

4



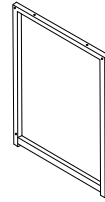
x 1

5



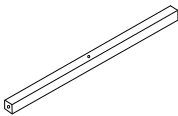
x 1

6



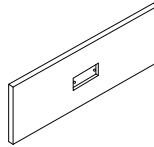
x 2

7



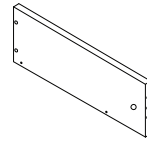
x 2

8



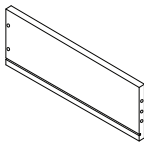
x 1

9



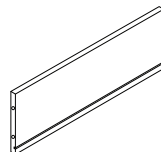
x 1

10



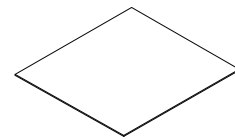
x 1

11



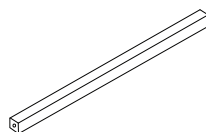
x 1

12

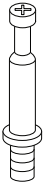
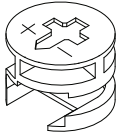
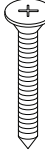
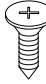
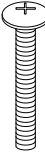
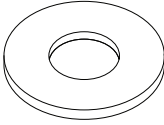
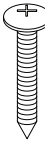
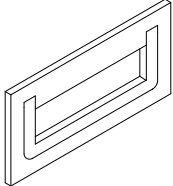
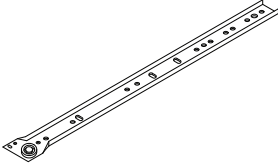
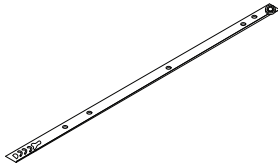
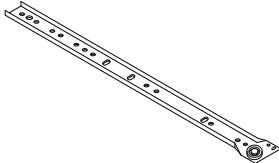
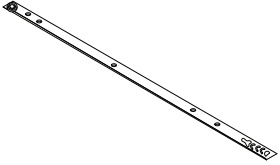
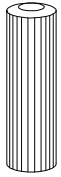

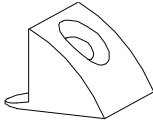



x 1

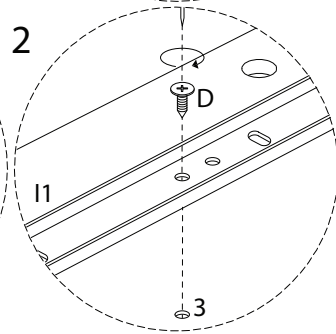
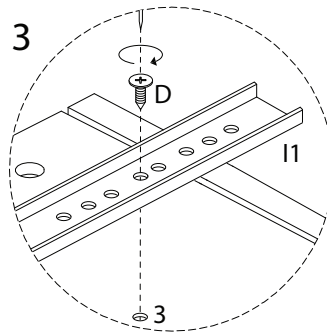
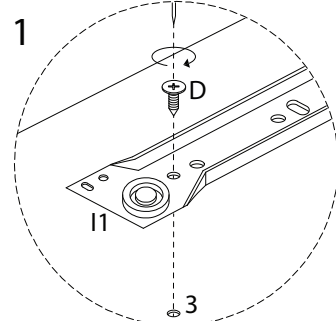
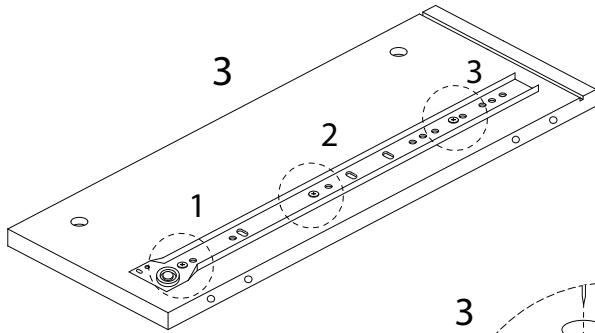
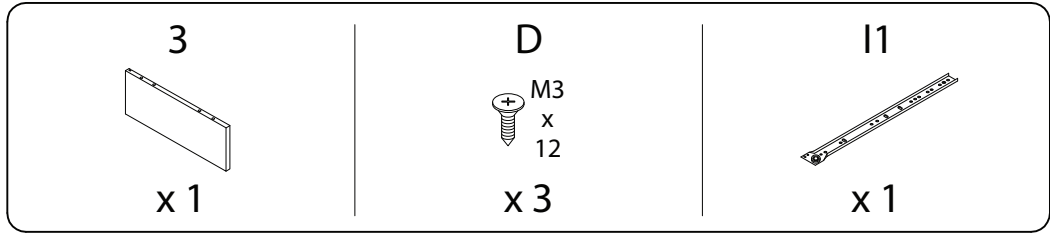
13



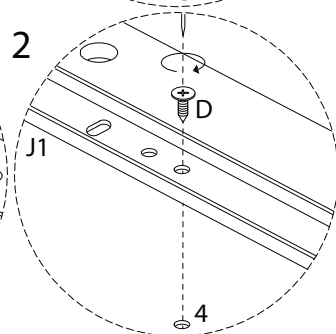
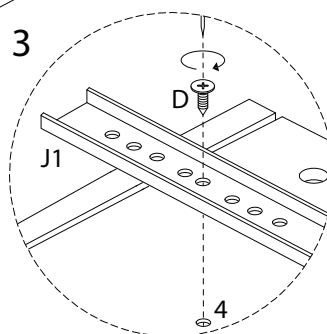
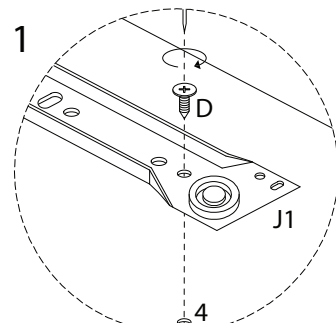
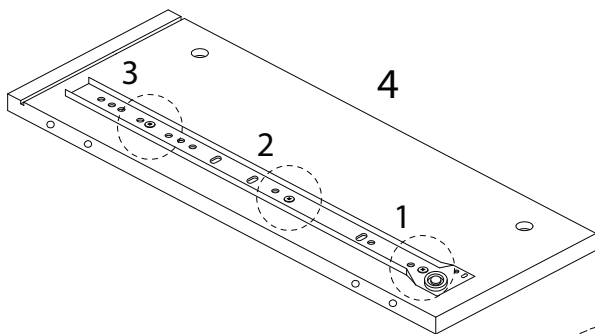
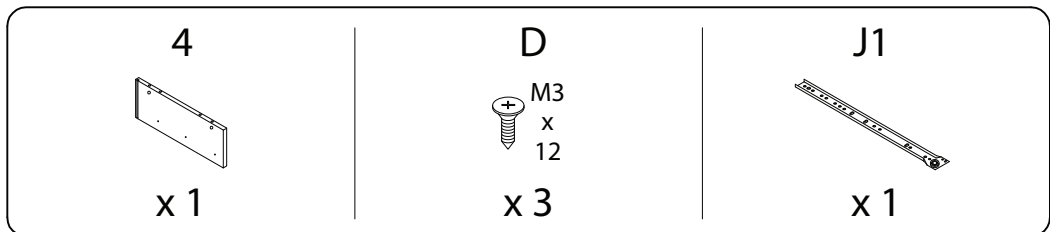
x 1

| | | | |
|--|--|--|--|
| <p>A</p>  <p>x 6</p> | <p>B</p>  <p>x 6</p> | <p>C</p>  <p>M4 x 35</p> <p>x 8</p> | <p>D</p>  <p>M3 x 12</p> <p>x 10</p> |
| <p>E</p>  <p>M6 x 40</p> <p>x 6</p> | <p>F</p>  <p>x 6</p> | <p>G</p>  <p>M4 x 30</p> <p>x 6</p> | <p>H</p>  <p>x 1</p> |
| <p>I1</p>  <p>x 1</p> | <p>I2</p>  <p>x 1</p> | <p>J1</p>  <p>x 1</p> | <p>J2</p>  <p>x 1</p> |
| <p>K</p>  <p>x 8</p> | <p>L</p>  <p>M4 x 14</p> <p>x 2</p> | <p>N</p>  <p>x 4</p> | <p>O</p>  <p>M3 x 14</p> <p>x 4</p> |

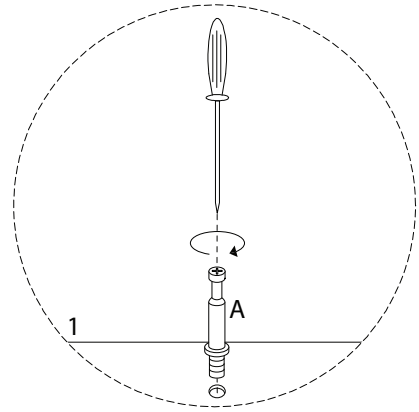
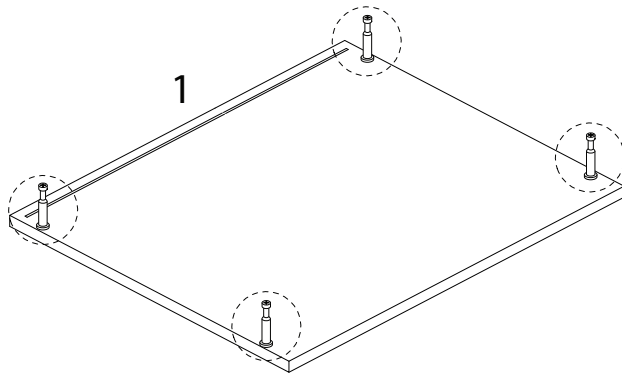
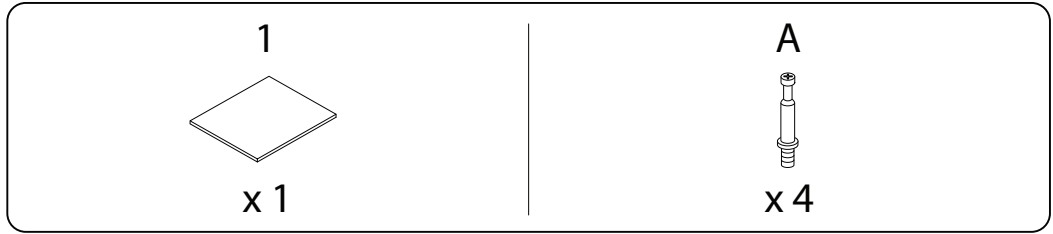
1



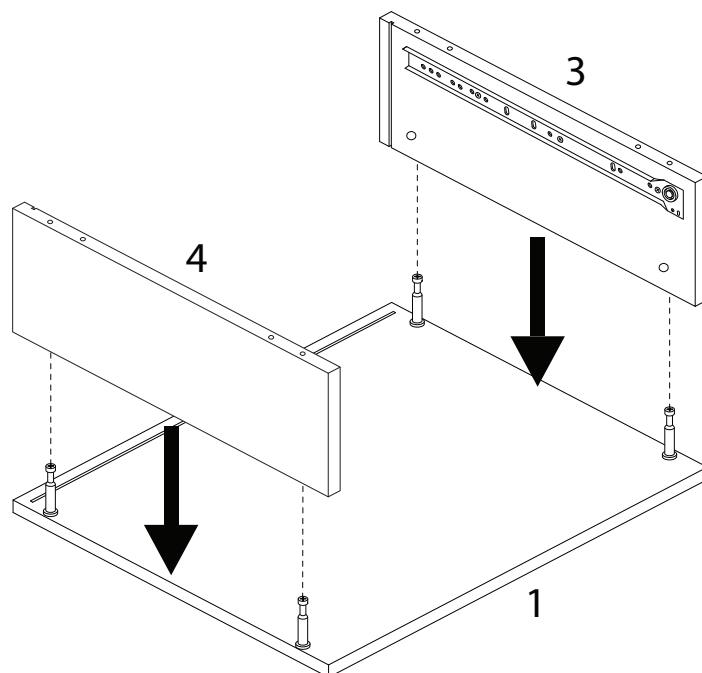
2



3



4

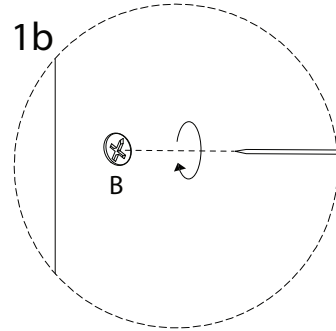
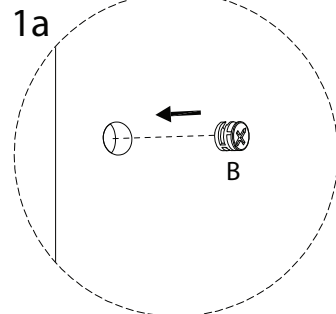
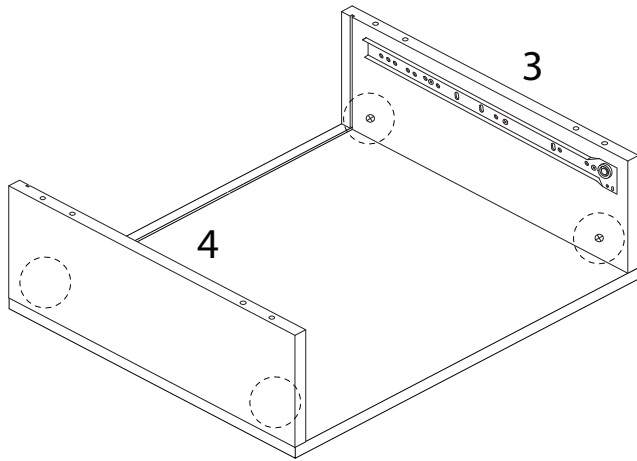


5

B

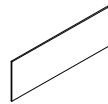


x 4

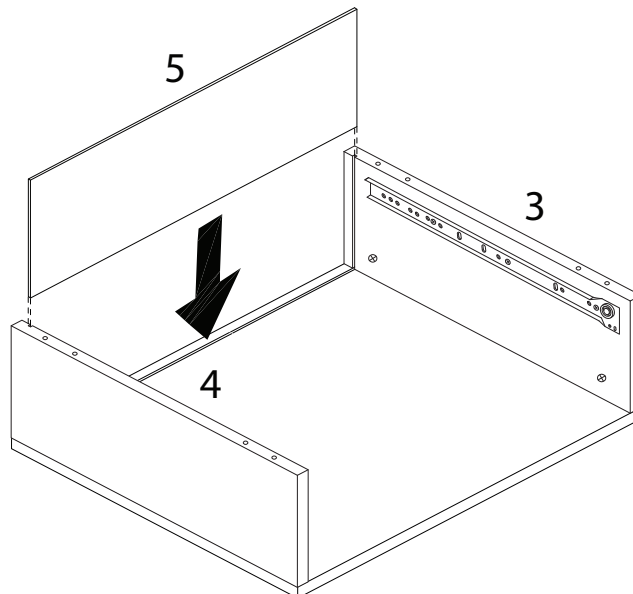


6

5



x 1

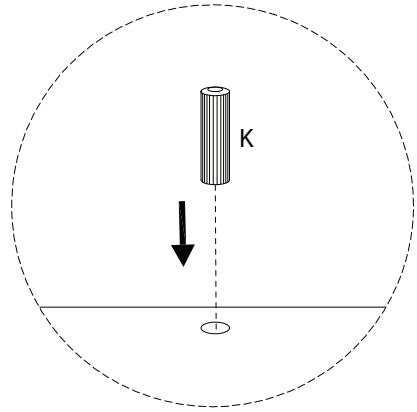
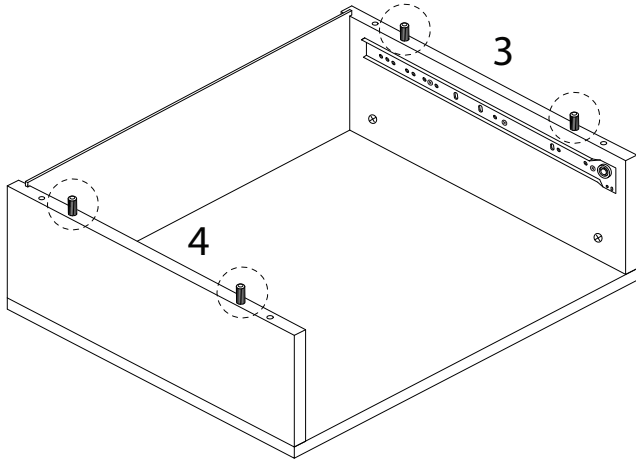


7

K

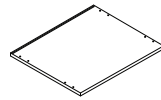


x 4

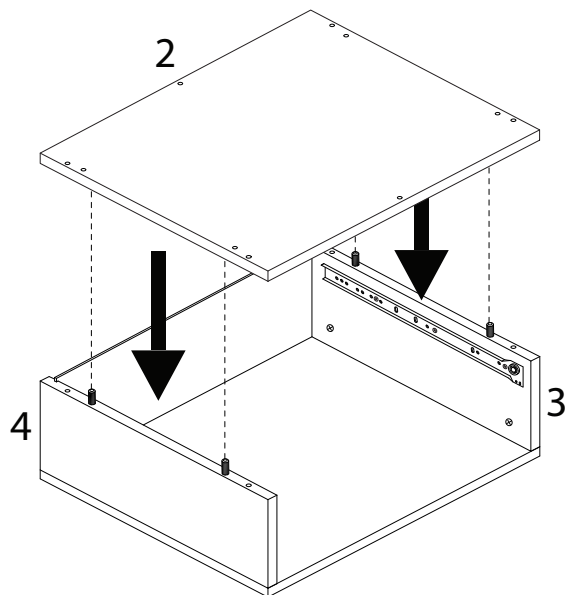


8

2

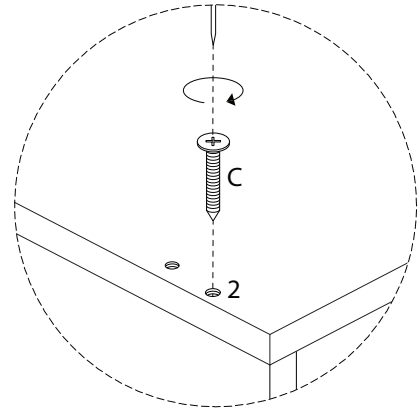
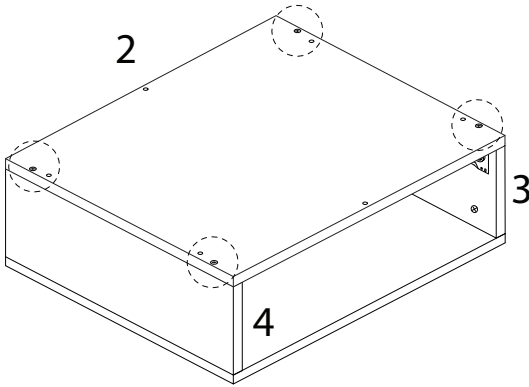


x 1



9

C
M4
x
35
x 4

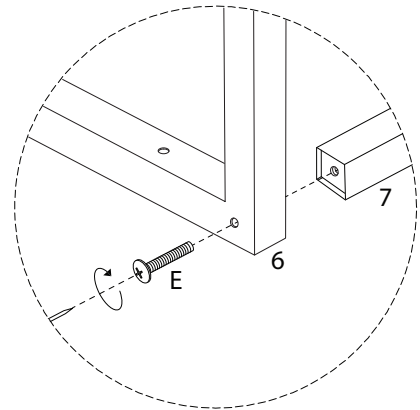
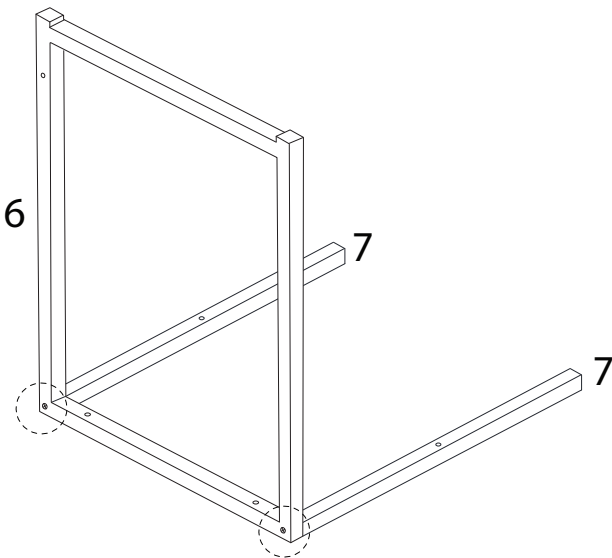


10

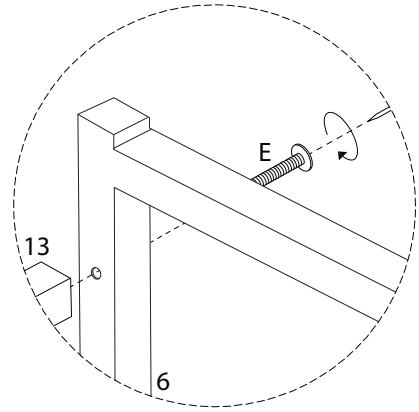
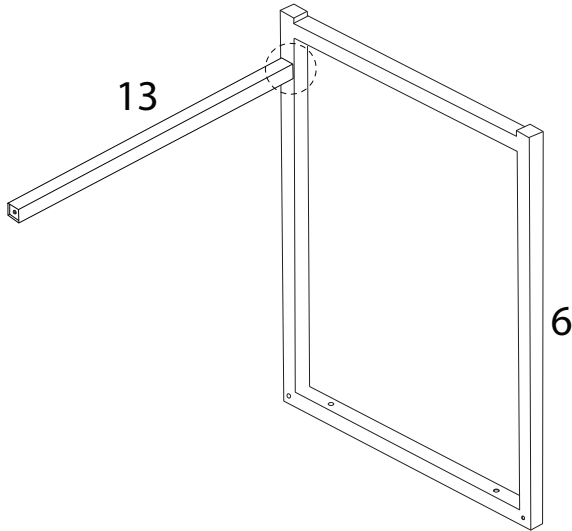
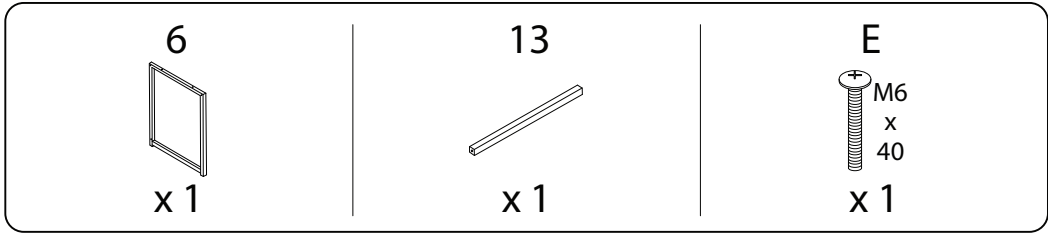
6
x 1

7
x 2

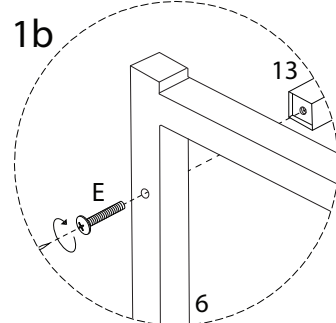
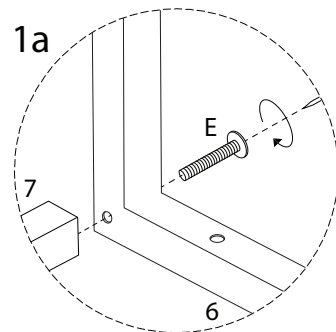
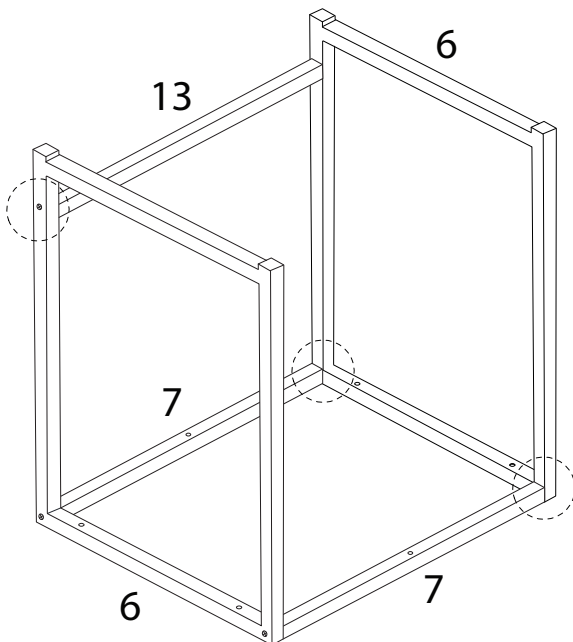
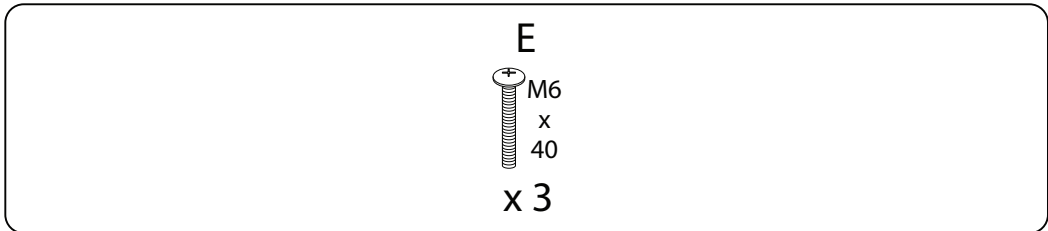
E
M6
x
40
x 2



11



12



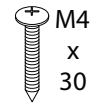
13

F

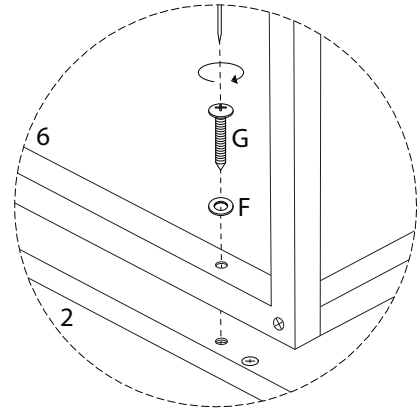
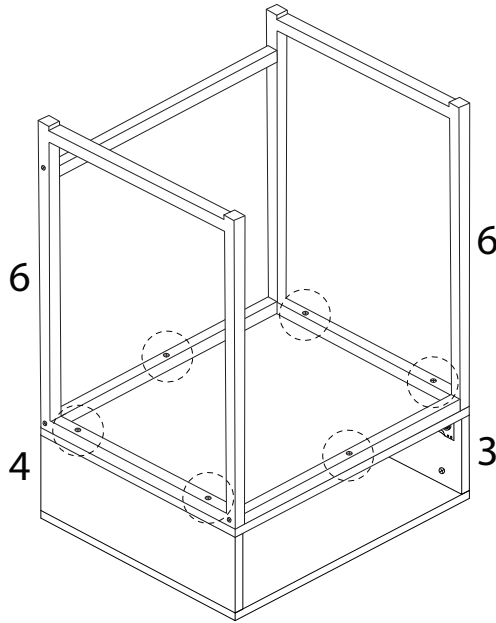


x 6

G

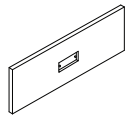


x 6



14

8

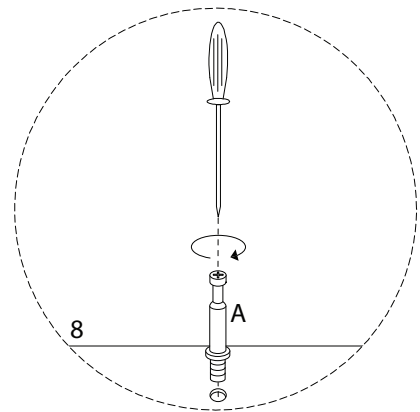
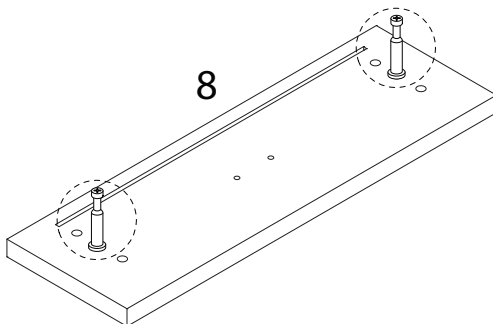


x 1

A



x 2

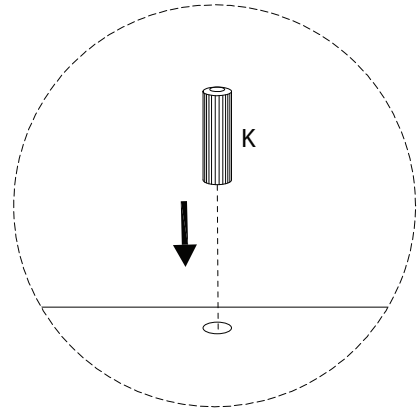
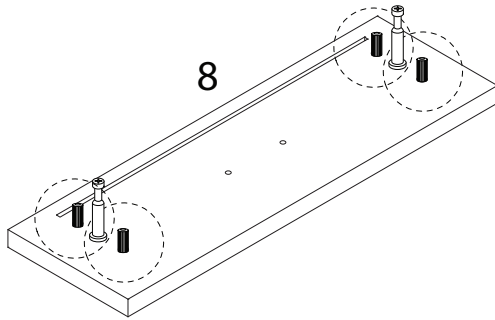


15

K

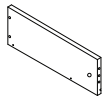


x 4



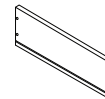
16

9

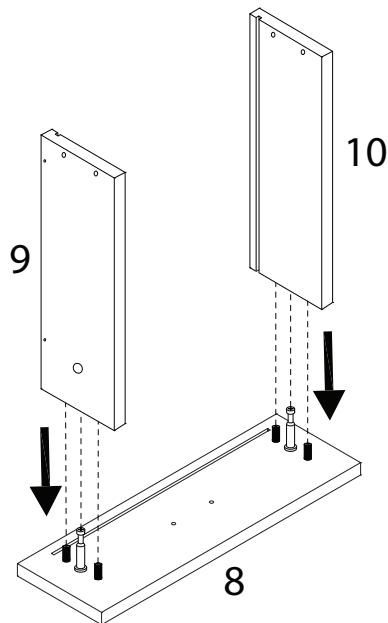


x 1

10



x 1

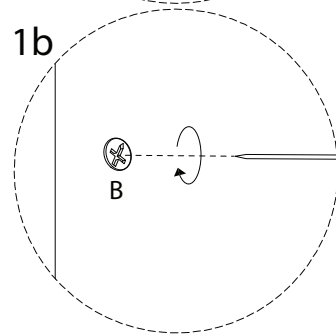
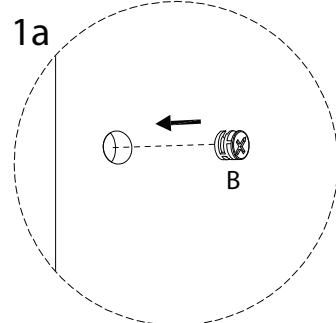
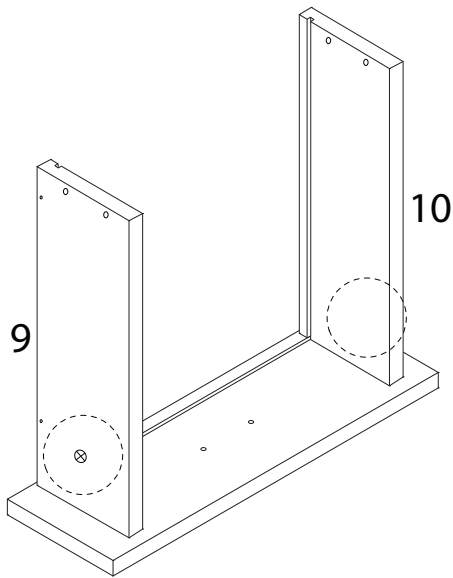


15

B

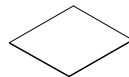


x 2

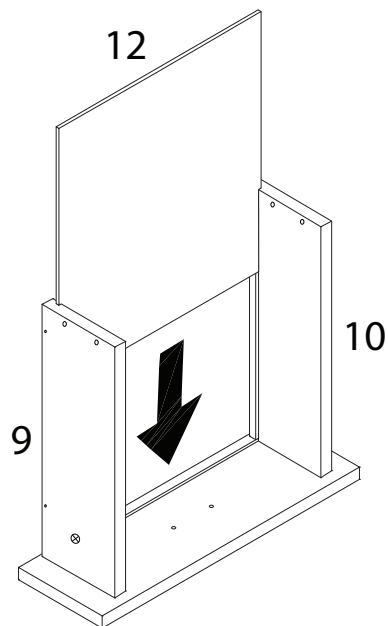


16

12

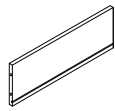


x 1



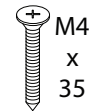
17

11

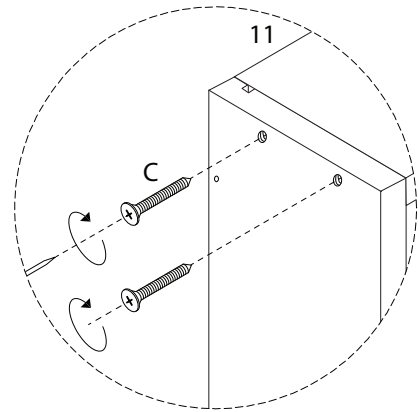
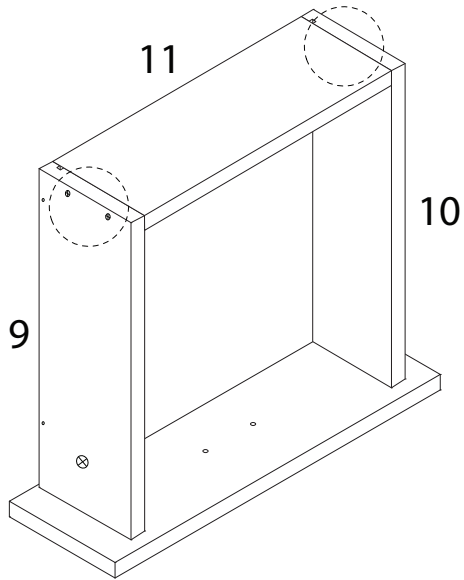


x 1

C

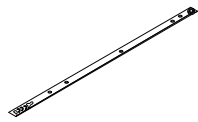


x 4



18

I2

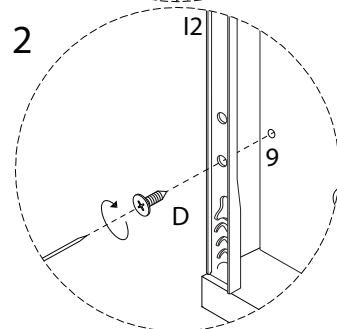
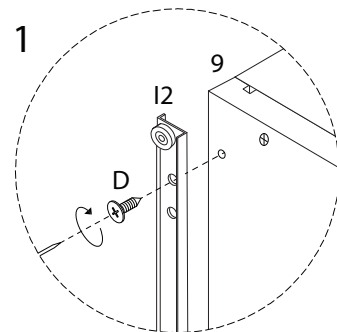
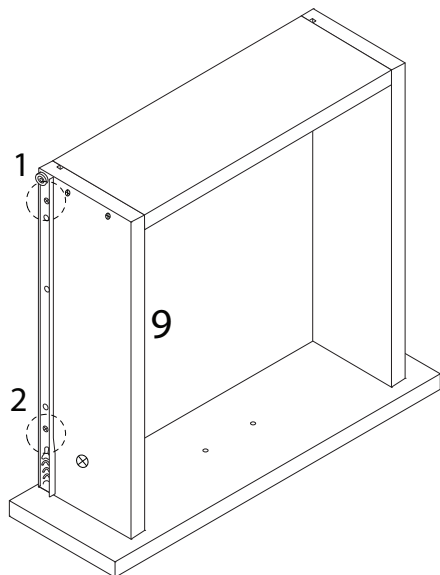


x 1

D

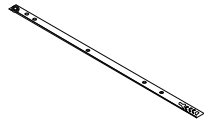


x 2



19

J2

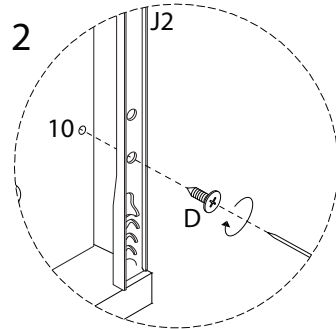
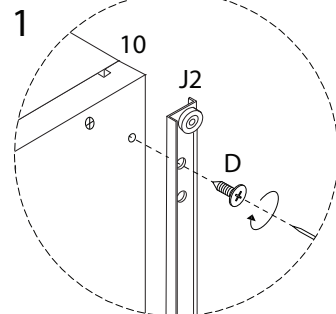
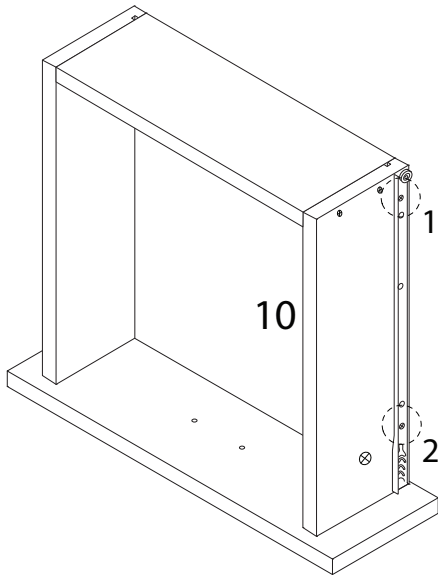


x 1

D

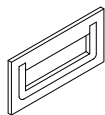


x 2



20

H

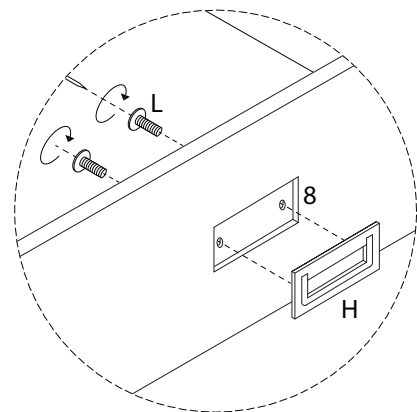
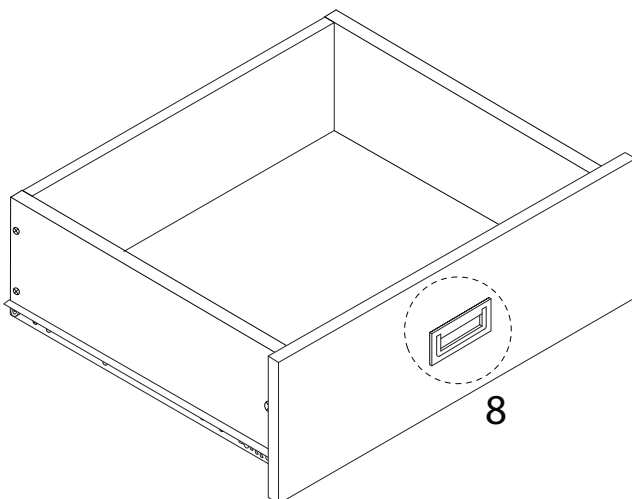


x 1

L

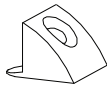


x 2



21

N

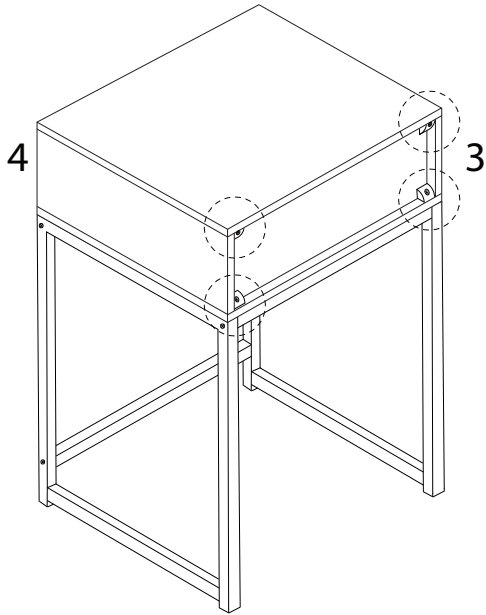


x 4

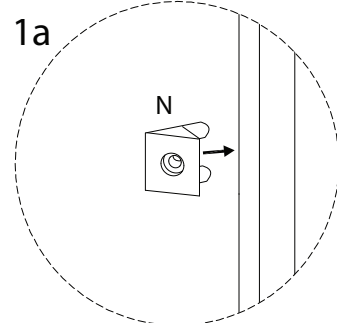
O



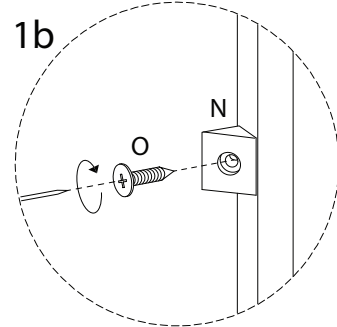
x 4



1a



1b



22

