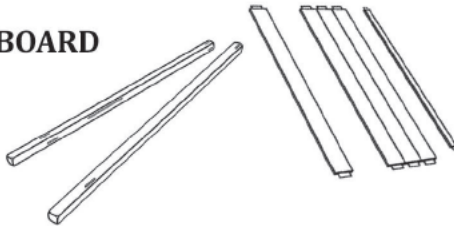


Contents

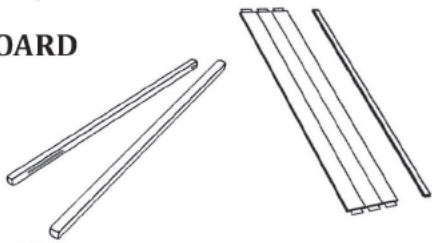


TWO PEOPLE REQUIRED FOR ASSEMBLY

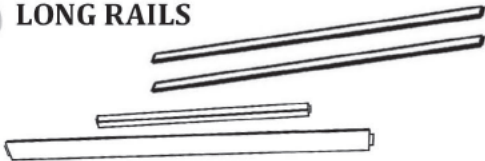
1 HEADBOARD



2 FOOTBOARD



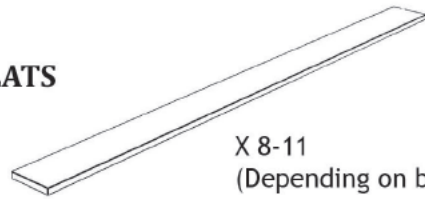
3 LONG RAILS



4 CAPS
X 40



5 SLATS

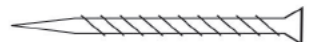


X 8-11
(Depending on bed size)

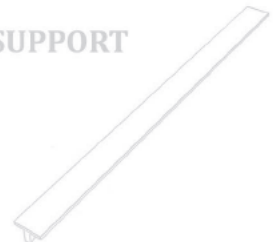
6 60MM SCREWS
X 40



7 35MM SCREWS
X 16-22
(Depending on bed size)



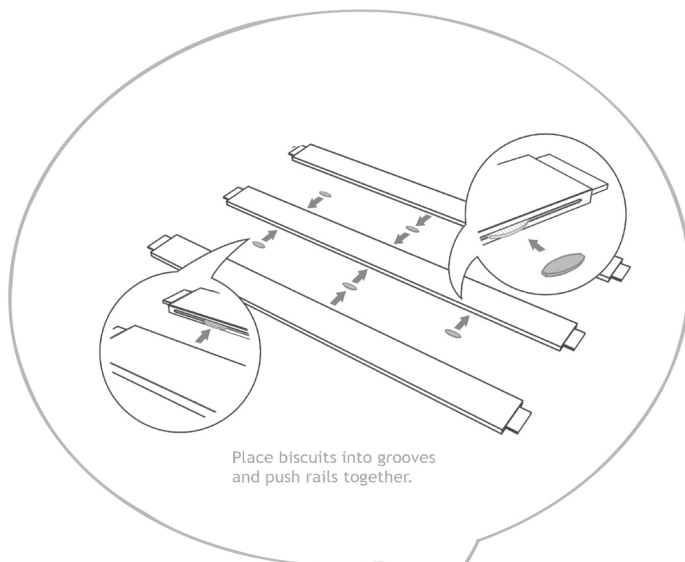
8 ADDITIONAL CENTRAL SUPPORT
NOTE: For King and bigger only



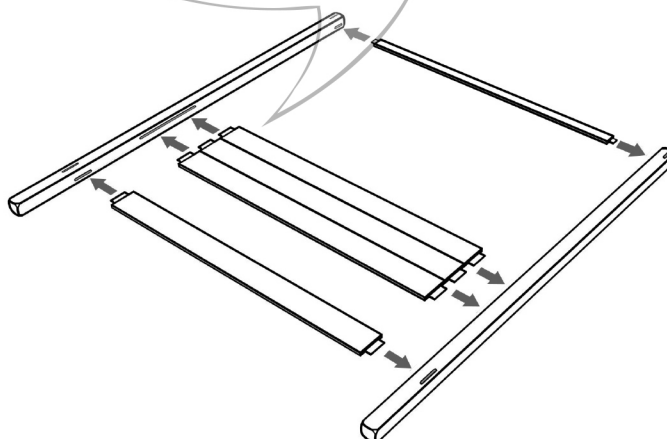
9 BISCUITS
X 12



NOTE: FOR LARGER BEDS ONLY

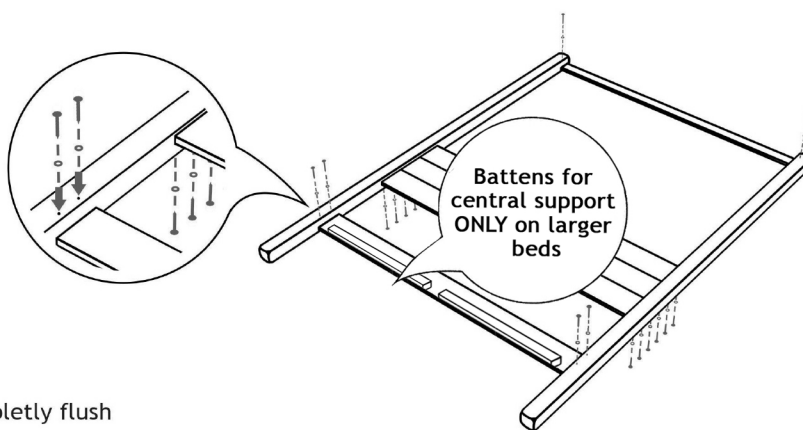


1 HEADBOARD



Ensure best face is forward and insert rails into legs.

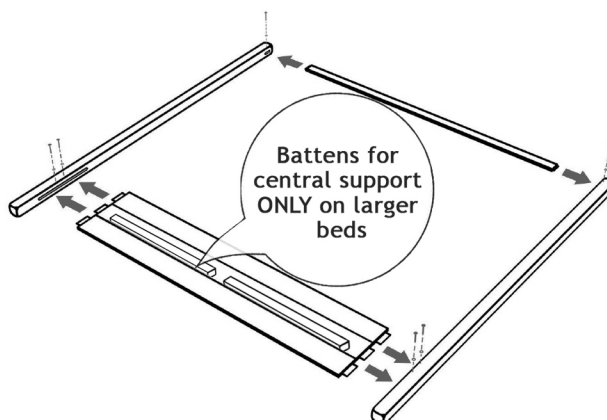
2 HEADBOARD



60 mm

Ensure rails are completely flush before fixing.

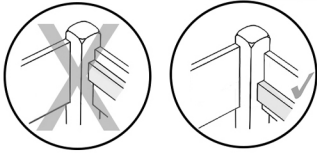
3 FOOTBOARD



60 mm

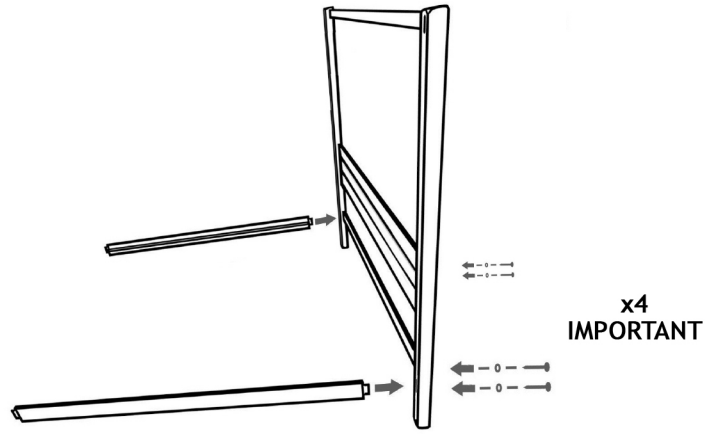
Ensure best faces are facing down, affix.

4 SIDE RAILS

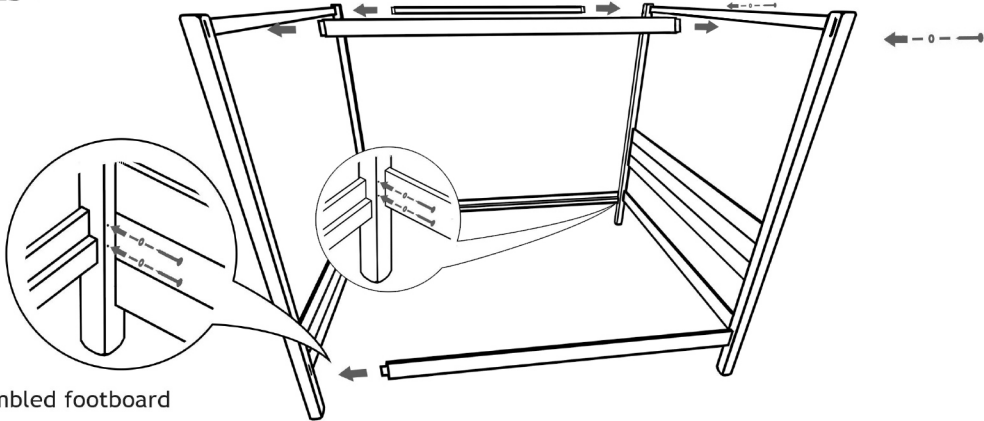


60 mm

Push side rails into the leg, affix.



5 SIDE RAILS



60 mm

Connect preassembled footboard to rails.

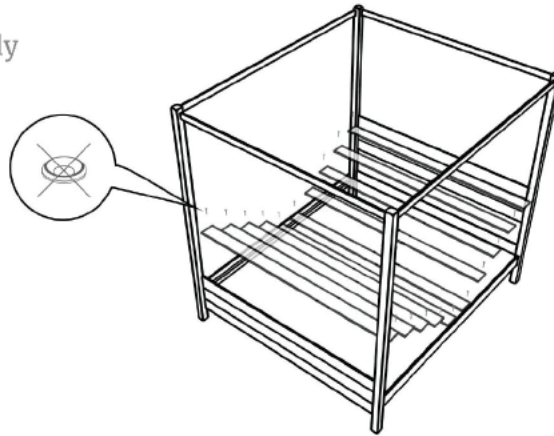
ADDITIONAL STEP FOR LARGER BEDS ONLY CENTRAL RAIL



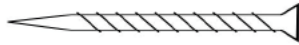
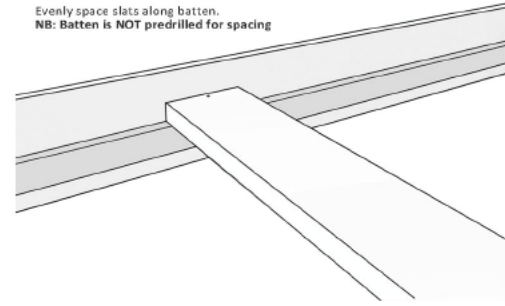
Slot central rail into place

6 SLATS

Slats should be roughly 7-10cm apart.



Evenly space slats along batten.
NB: Batten is NOT predrilled for spacing

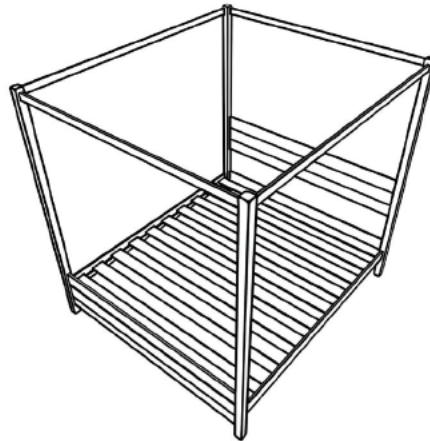


35 mm

Evenly space slats, affix.

7 FINISHED

All slats must be secured as instructed. Failure to do so will void the guarantee.



Small Super Kingsize and over sized beds ONLY



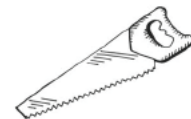
Time for a cup of tea, go on!

Important Information About Your Solid Slats



Designed By You

Get the perfect style
& fit for you.



Handmade By Us

Important Information

- Whilst not designed for aesthetic appearance, solid slats are designed with one purpose, to be as strong and as durable as they possibly can be.
- Compared to sprung slats, solid slats provide a greater amount of support for yourself and your mattress.
- Slats are known to have small, yet insignificant imperfections such as knots or discolouration. Rest assured these will not devalue their strength or durability.
- All of our slats, as well as the entirety of your bed frame is quality checked by myself before being packed and delivered to you.

If you require any further information about your slats, or your new bed, then do not hesitate to contact us. On behalf of all the team here at Get Laid Beds, I would like to wish you many nights of peaceful slumber on your new bed.



Eco-Friendly