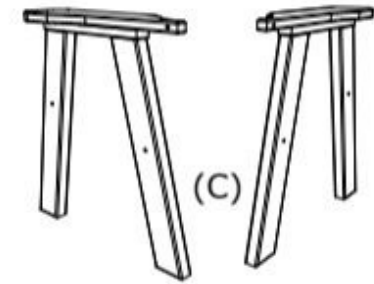
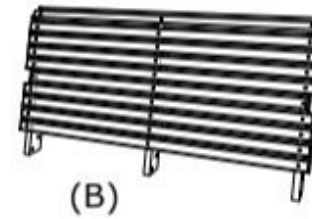
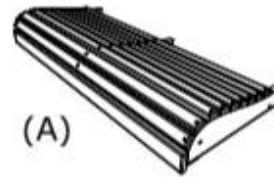


Parts List

- 1 - (A) Seat Assembly
- 1 - (B) Back Assembly
- 2 - (C) Armrest Assemblies

Hardware

- 2 - 3 1/2" Stainless Wafer Bolt
- 2 - 2 1/2" Stainless Wafer Bolt
- 6 - 2" Stainless Wafer Bolt
- 4 - 2" Screws
- 1 - 5/32 Hex Key



(A)

(B)

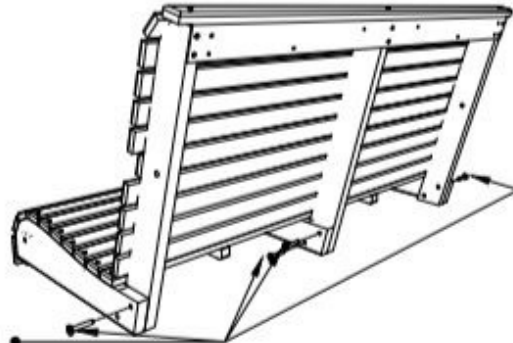
(C)

Tools Required

- 5/32 Hex Key (Included)
- #2 Square Drive Bit (Not Included)



1. Assemble (B) Back Assembly to (A) Seat Assembly using 4 - 2" Wafer Bolts, Tighten with included Hex Key. Be sure to match all numbers & or letters.



2" Stainless Wafer Bolt

2. Assemble (C) Armrest Assemblies using 1 - 3 1/2" Wafer Bolt, 1 - 2 1/2" Wafer Bolt, 1 - 2" Wafer Bolt per side, Tighten with included Hex Key. Be sure to match all numbers & or letters.

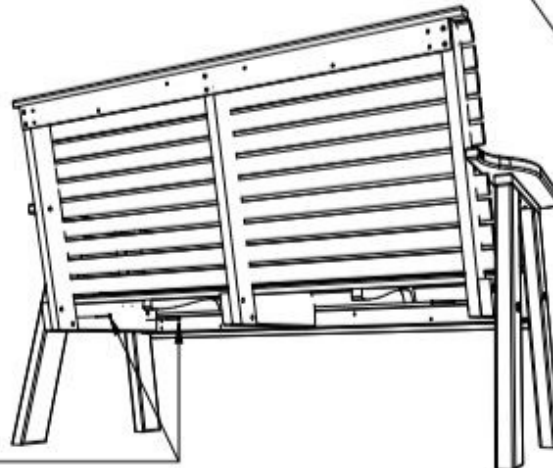


2 1/2" Stainless Wafer Bolt

2" Stainless Wafer Bolt

3 1/2" Stainless Wafer Bolt

3. Install 2 - 2" Screws per side from inside of seat in predrilled holes.



2" Screw