

INSTRUCTION MANUAL

Raised Garden bed
size:37.5"x12.5"x31.5"

ⓘ NOTICE

Please retain these instructions for future reference.

- Do not stand on or use any part of this item as a step ladder.
- Firmly secure all bolts and screws before use.
- Do not use or store this item in the proximity of open flame or flammable/combustible chemicals.
- Be aware that some parts are heavy and have sharp edges.
- If any parts are missing, broken, damaged, or worn, stop using this product until repairs are made and/or replacement parts are installed.
- Ensure your product is sited on level and hard ground. Failure to do this may put additional stress on connections and joints and in time could cause them to fail.

TOOLS REQUIRED



PHILLIPS
SCREW DRIVER
(provided)



WRENCH
(provided)



DRILL



2 PERSON
ASSEMBLY



UP TO 45 MIN.

HARDWARE

1

Bolt



26+2PCS

2

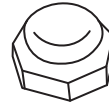
Nut



26+2PCS

3

Nut

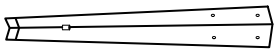


2PCS

PARTS

A

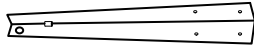
Feet



2PCS

B

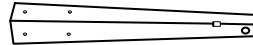
Feet



1PC

C

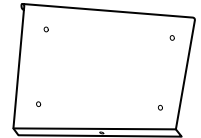
Feet



1PC

D

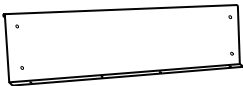
Short Panel



2PCS

E

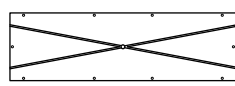
Long Panel



2PCS

F

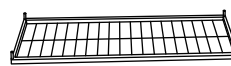
Bottom Panel



1PC

G

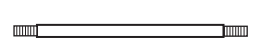
Shelf



1PC

H

Rod



1PC

I

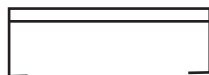
wheel



2PCS

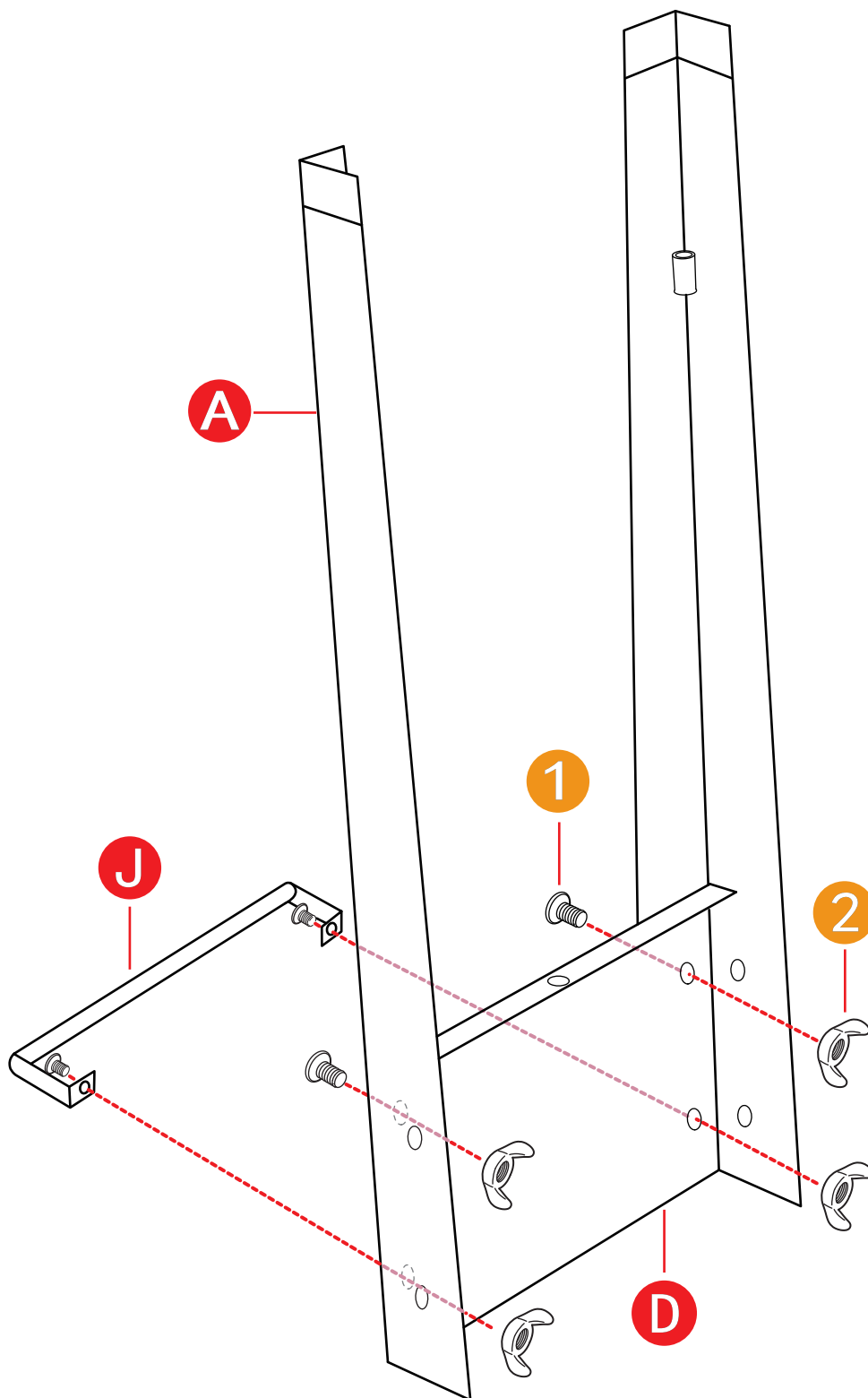
J

Handling bar

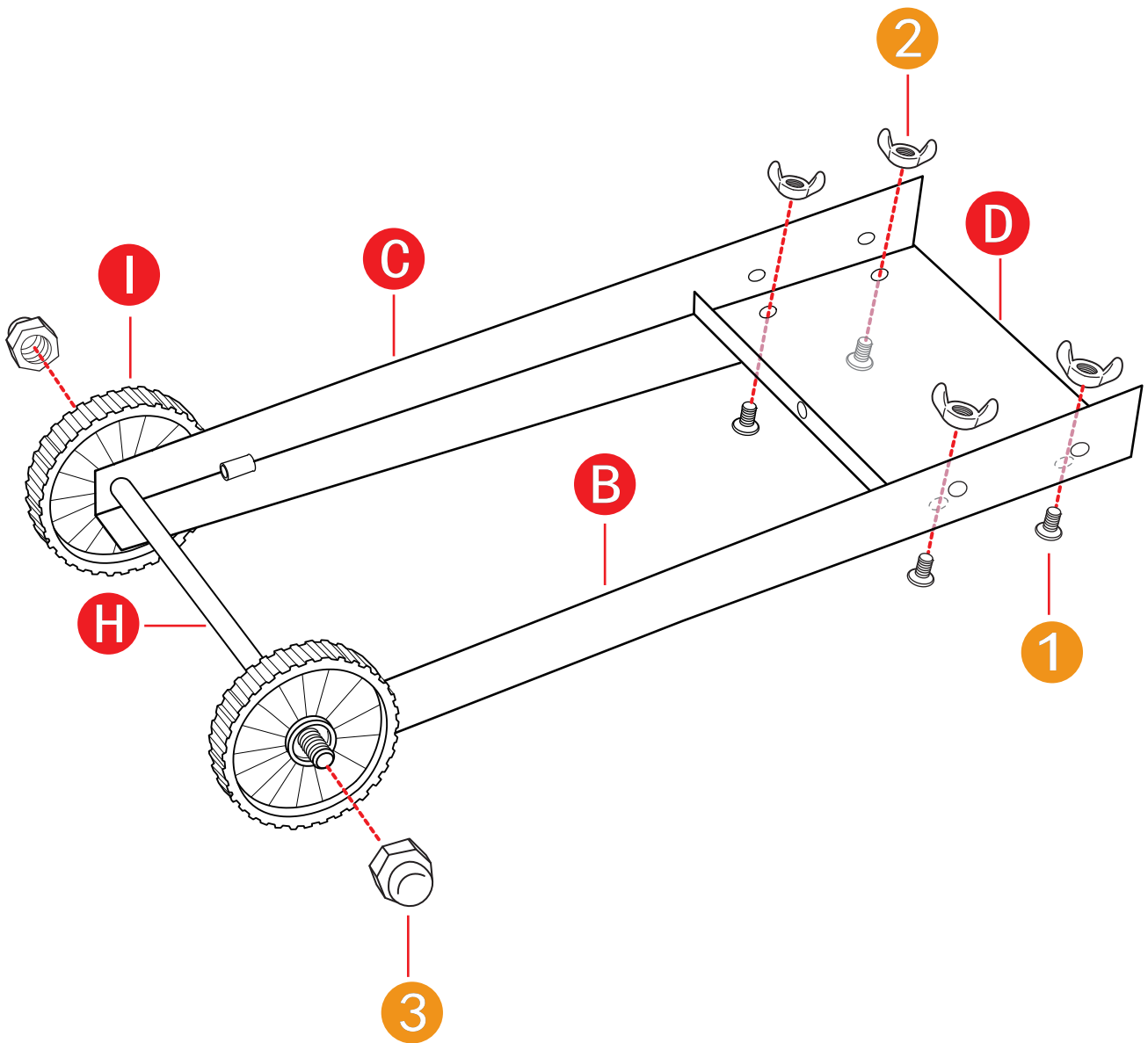


1PC

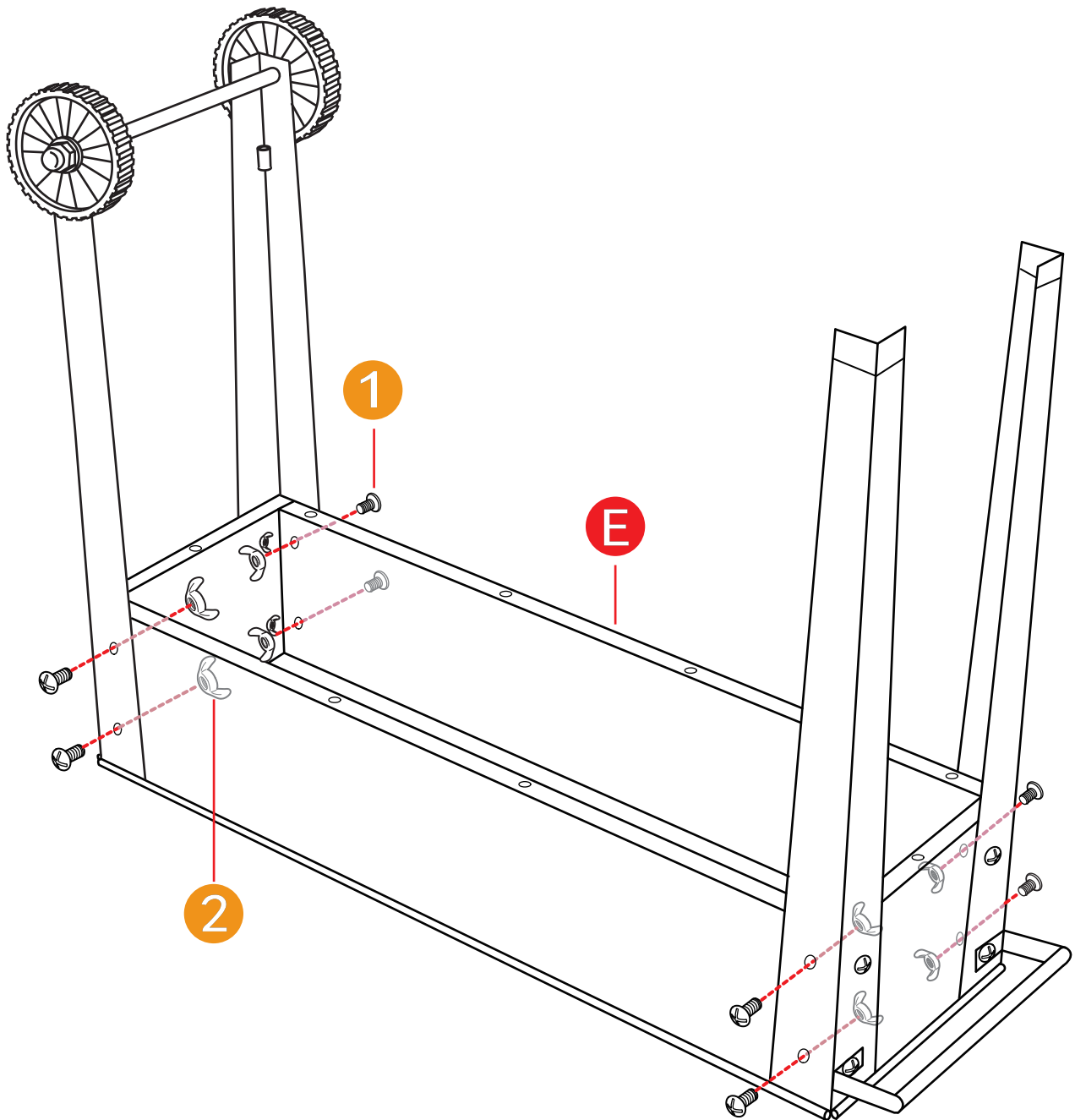
step 1 Connect Feet A to Short Panel D ,connect Handling Bar J to Feet A



step 2 Connect Feet B and Feet C to Panel D ,connect Wheels F with Rod H to Feet B and Feet C



step 3 Connect long panels E to Four Feet



step 5 Put Bottom Layer F in it and tighten bolts

