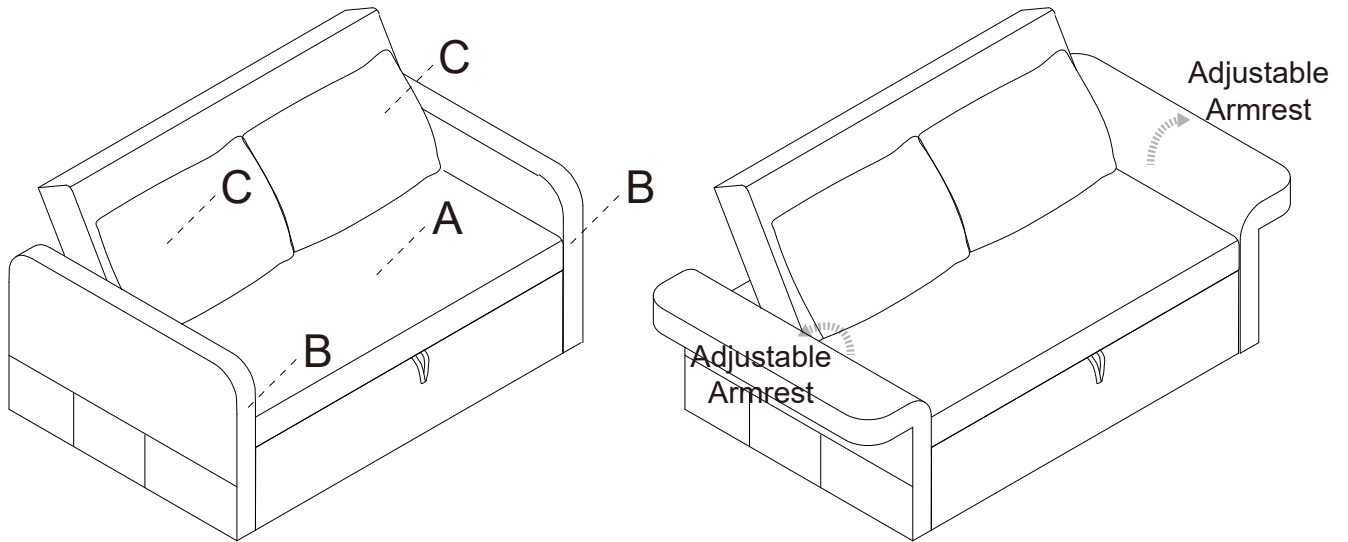


Assembly Instructions



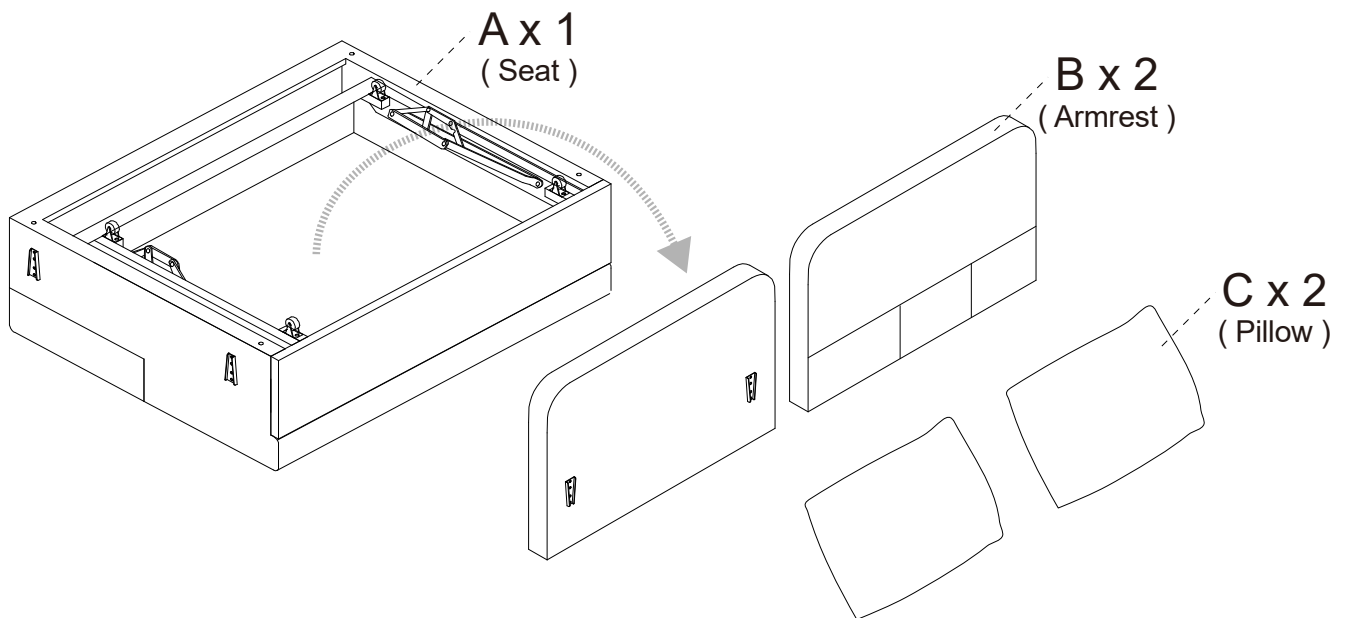
Assemble on the pad to avoid scratching the product.



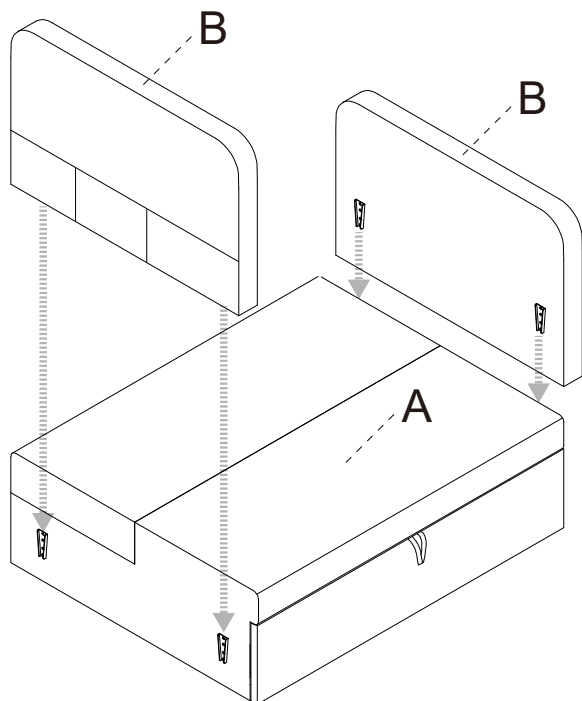
Parts List

Flip to the bottom of "A", Take out all parts and check QTY.

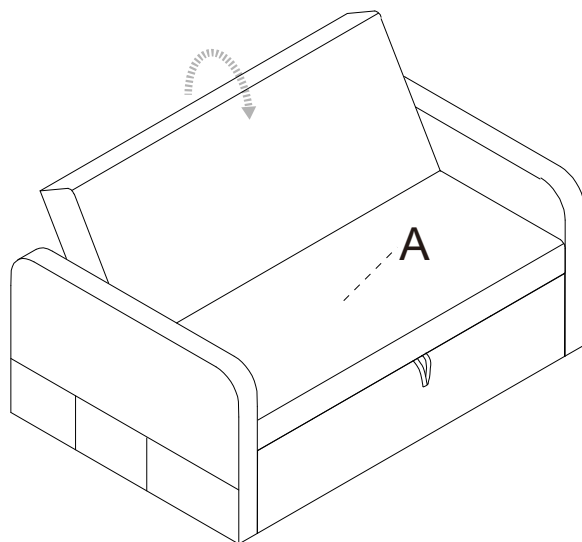
1/1
carton



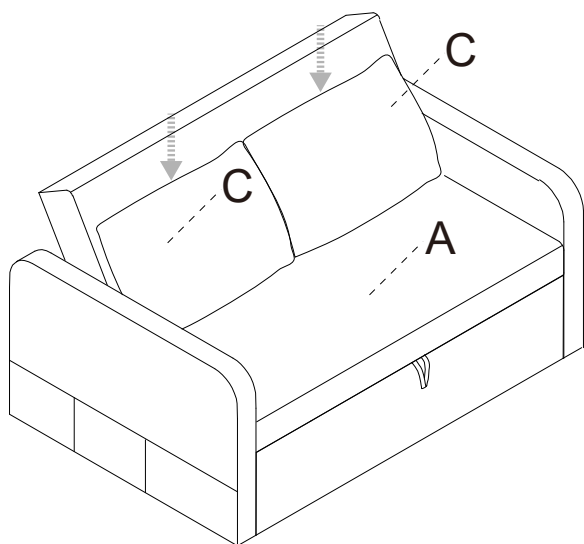
Step 1



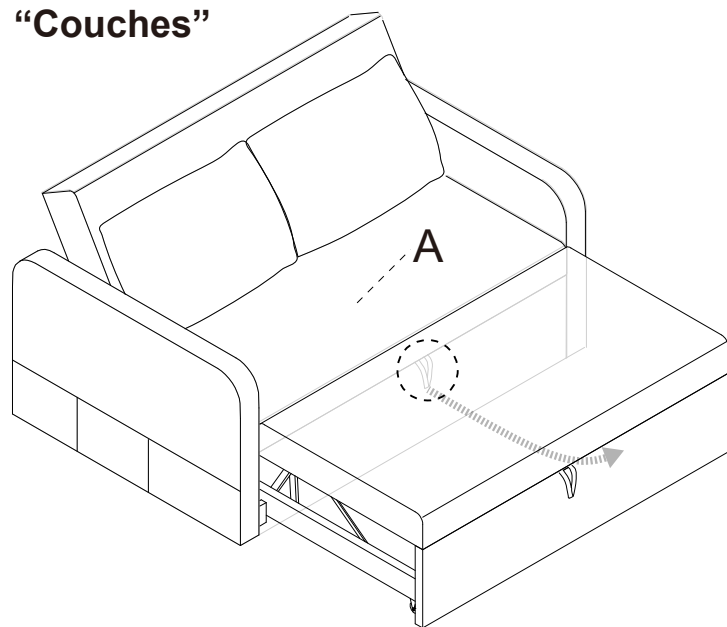
Step 2



Step 3
“Loveseats”



Step 4
“Couches”



Step 5
“Bed”

