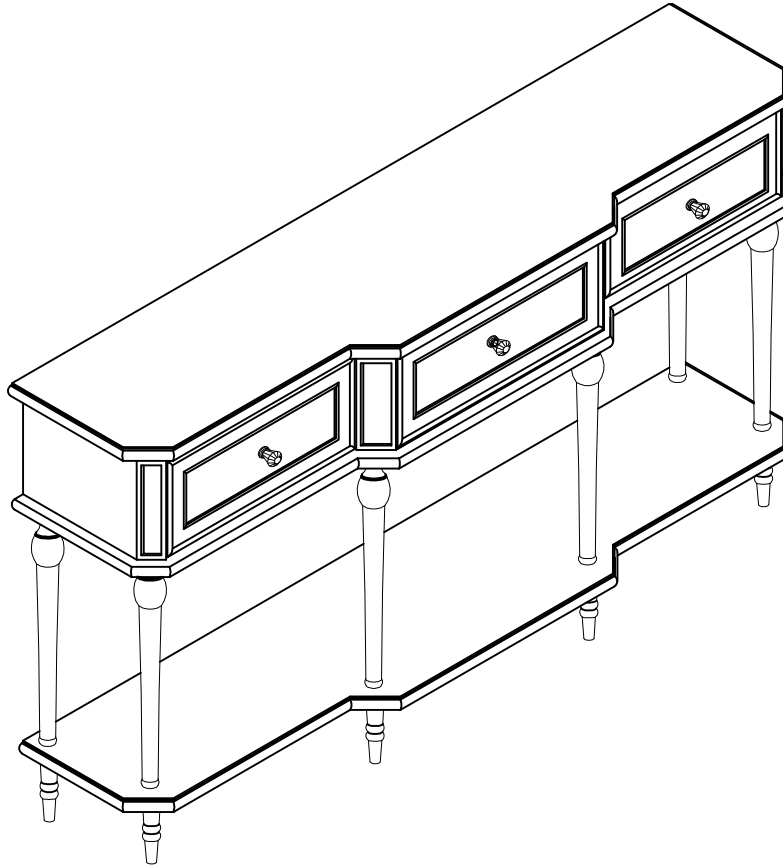


# ASSEMBLY INSTRUCTIONS

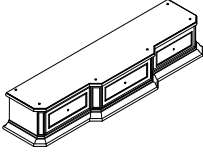


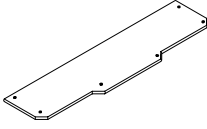
## Console Table



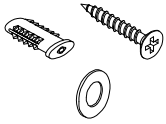
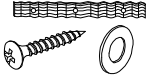
### NOTE TO CUSTOMERS:

- For ease and speed of assembly we recommend that before you commence each step of the assembly that you identify all the parts required to complete that step.
- We recommend that where possible you allow sufficient space to assemble the item as close as possible to the place where it will be once assembled.
- For the protection of your furniture we recommend that the product is placed on protected surfaces during assembly to prevent any damage.
- During assembly do not over tighten, as this may damage the product.
- Please ensure you retain all the product packaging until the item completely assembled.
- Please periodically check all fittings and re-tighten as necessary.
- Please never allow any liquids to remain on your furniture as absorption can cause the wood to warp or finish to de-laminate.

# Part List

A1 . Quantity of 1 	A2 . Quantity of 6 	A3. Quantity of 6 	A4 Quantity of 1 
Top Part	Middle Leg	Bottom Leg	Bottom Panel

# Hardware List

B1 Quantity of 1 	B2 Quantity of 1 		
Anchor with Screw	Anti-tip kit		



## **WARNING:**

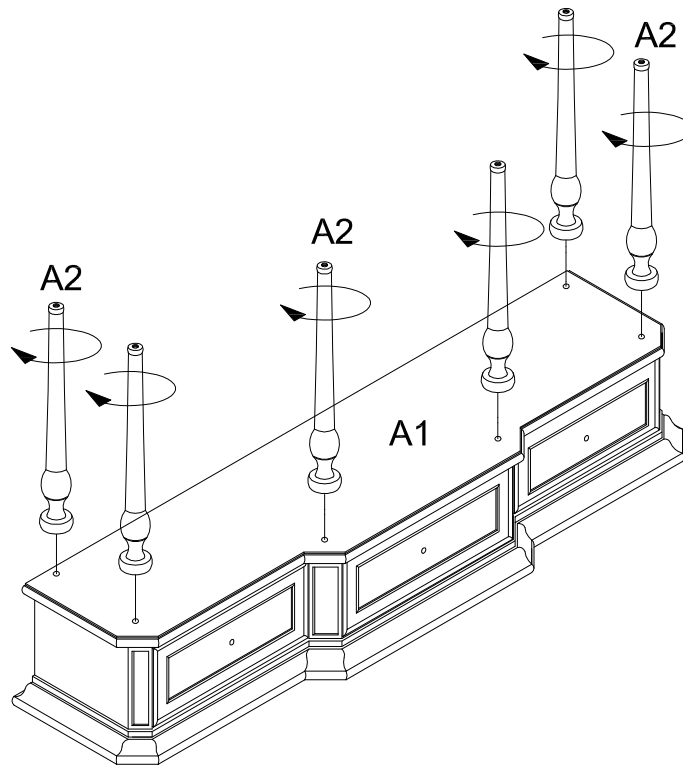
**Serious or fatal crushing injuries can occur from furniture tip-over.**

**To help prevent tip-over:**

- Place heaviest item in the lowest drawers.
- Unless specifically designed to accommodate, do not set TVs or other heavy objects on top of this product.
- Never allow children to climb or hang on drawers, doors or shelves.
- Never open more than one drawer at a time.(OR)
- Do not defeat or remove the drawer interlock system.

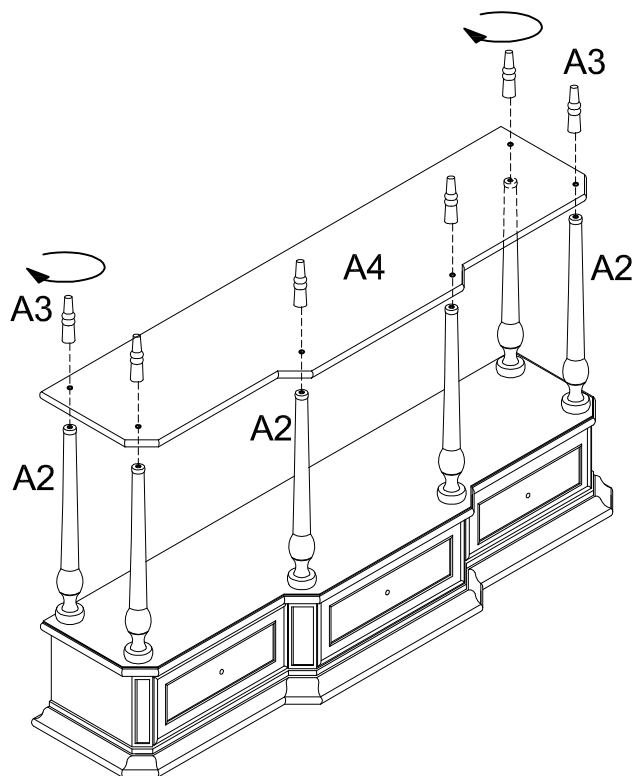
**Use of tip-over restraints may only reduce, but not eliminate the risk of tip-over.**

## Step 1





Attach and tighten Middle Legs A2 to Top Part A1 as shown above.

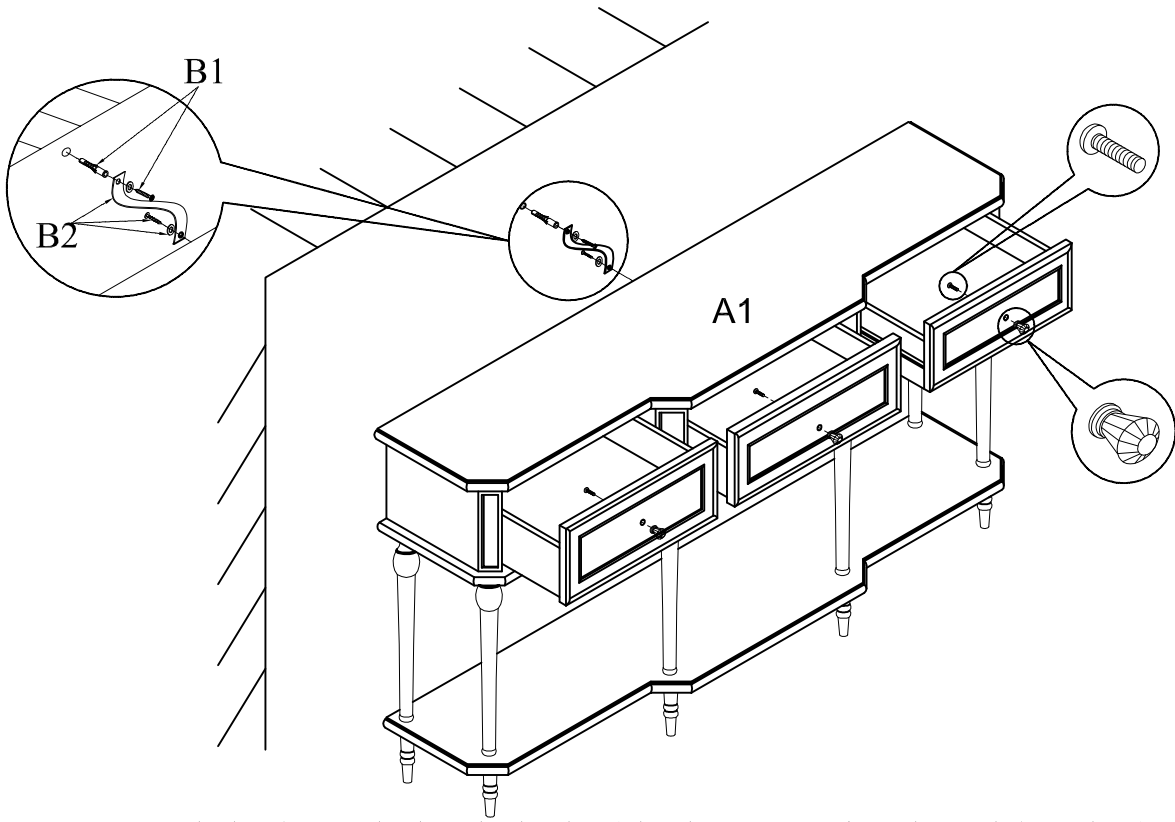
## Step 2



Attach Bottom Legs A3 by inserting legs through the Bottom Panel A4 and attaching it to Middle Legs A2.

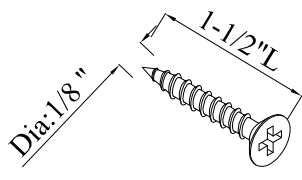
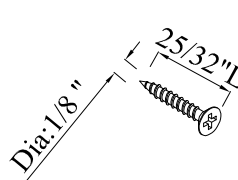
# Step 3

B1 :		⊙	1pc
B2 :		⊙	1pc



- 1). Unscrew Knob that is attached to the back of the drawer panel, and attach it to the front of drawer front panel using the same bolt.
- 2). For your safety, please attached this unit to the wall by Anchor with screw B1 and Anti-tip kit B2.

## APPENDIX: Dimension of Hardwares in this AI.

<p>B1.</p>  <p>Screw</p>	<p>B2.</p>  <p>Screw</p>	
---	---	--