

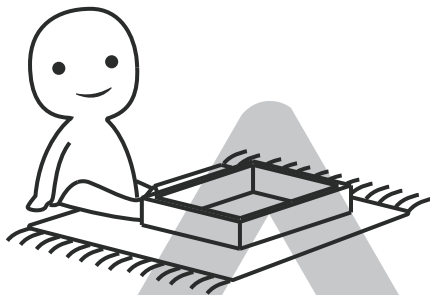
INSTALLATION

Product Manual



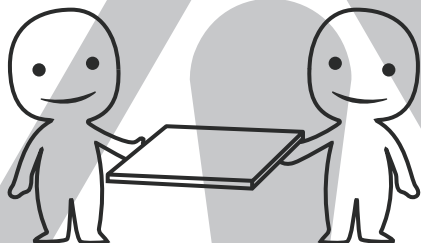
IMPORTANT INFORMATION!

please read the entire manual before starting to assemble and/or using this product. follow the manual thoroughly and keep it for further reference.



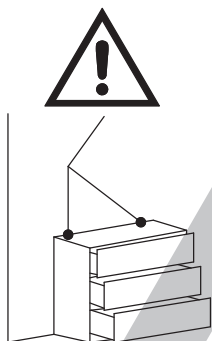
AVOID SCRATCHES!

In order to avoid scratching this furniture should be assembled on a soft layer- could be a rug.



IMPROVE EFFICIENCY !

Try to find a partner to install with you, which can speed up the installation efficiency and shorten the time.



ANTI-TOPPLE WARNING !

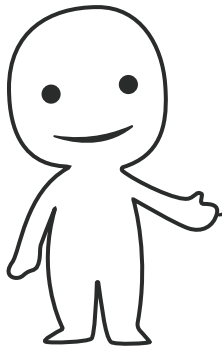
Overturnd furniture can cause serious or fatal crush injuries. To prevent tipping over, be sure to use the wall attachment, if not included with this product. Please purchase the wall attachment that fit your wall. If unsure, seek professional advice. Please read and follow each step of the instructions carefully.

IMPORTANT !

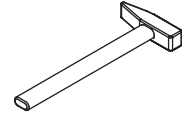
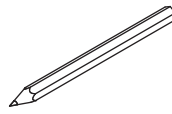
It is important that any product which is assembled using any kind of screw is re-tightened 2 weeks after assembly, and once every 3 months - in order to assure stability through-out the lifespan of the product.

For regular maintenance and cleaning of the product, for the frame, please use a rag dipped in neutral detergent to fully wipe it, and then dry it with a clean rag. For glass materials, wipe with a rag dampened with water glass cleaner, and then dry with a dry rag.

Do not use an electric screwdriver, and do not use too much force when installing, because the board is easy to break.

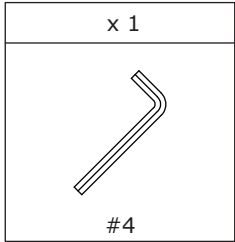


Please prepare the following tools

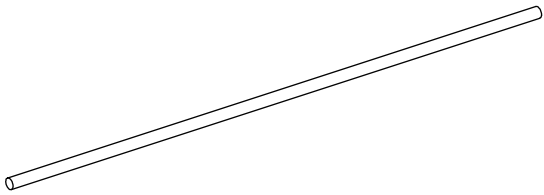


When installing, please carefully confirm whether each screw corresponds to the manual, accessories with similar shapes can be distinguished by size

A x 66  M5 x 42 mm	B x 66  Ø15 x 10 mm	C x 32  Ø8 x 40 mm	D x 10  M3 x 12 mm	E x 172  M3.5 x 14 mm
F x 12  M4 x 10 mm	G x 8  M4x 20 mm	H x 44  M5 x 40 mm	J x 20  M6 x 12 mm	K x 8  M6 x 25 mm
L x 8  1904	M x 2  1932-192	N x 4  DW12 mm	P x 8  ZW12 mm	Q x 6  15 mm
R x 5 	S x 8  Ø 6 mm	T x 2 	U x 2  Ø28 x M6 x 20 mm	V x 16 
W x 32 	Y x 10 	Z x 2 	AA x 2  M8 X 60/M5*55 mm	BBx 1  M4 x 22 mm

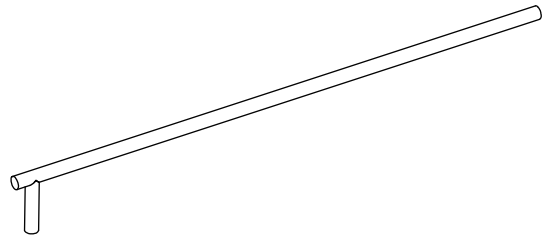


57



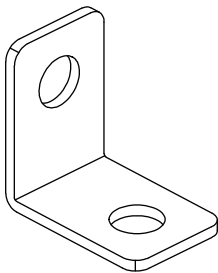
x2

58



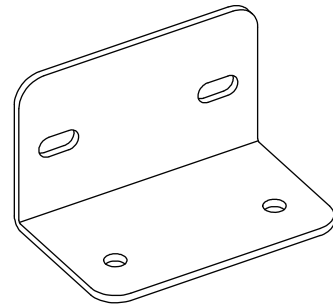
x2

59



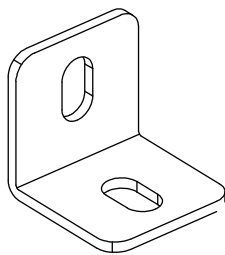
x10

60



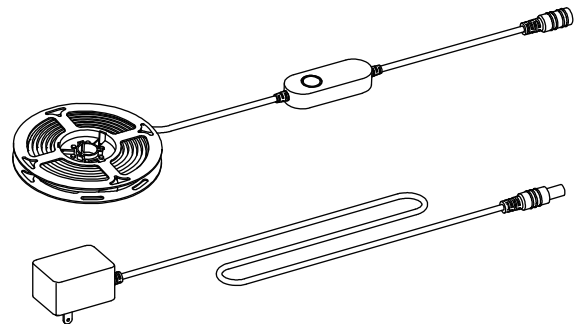
x4

61

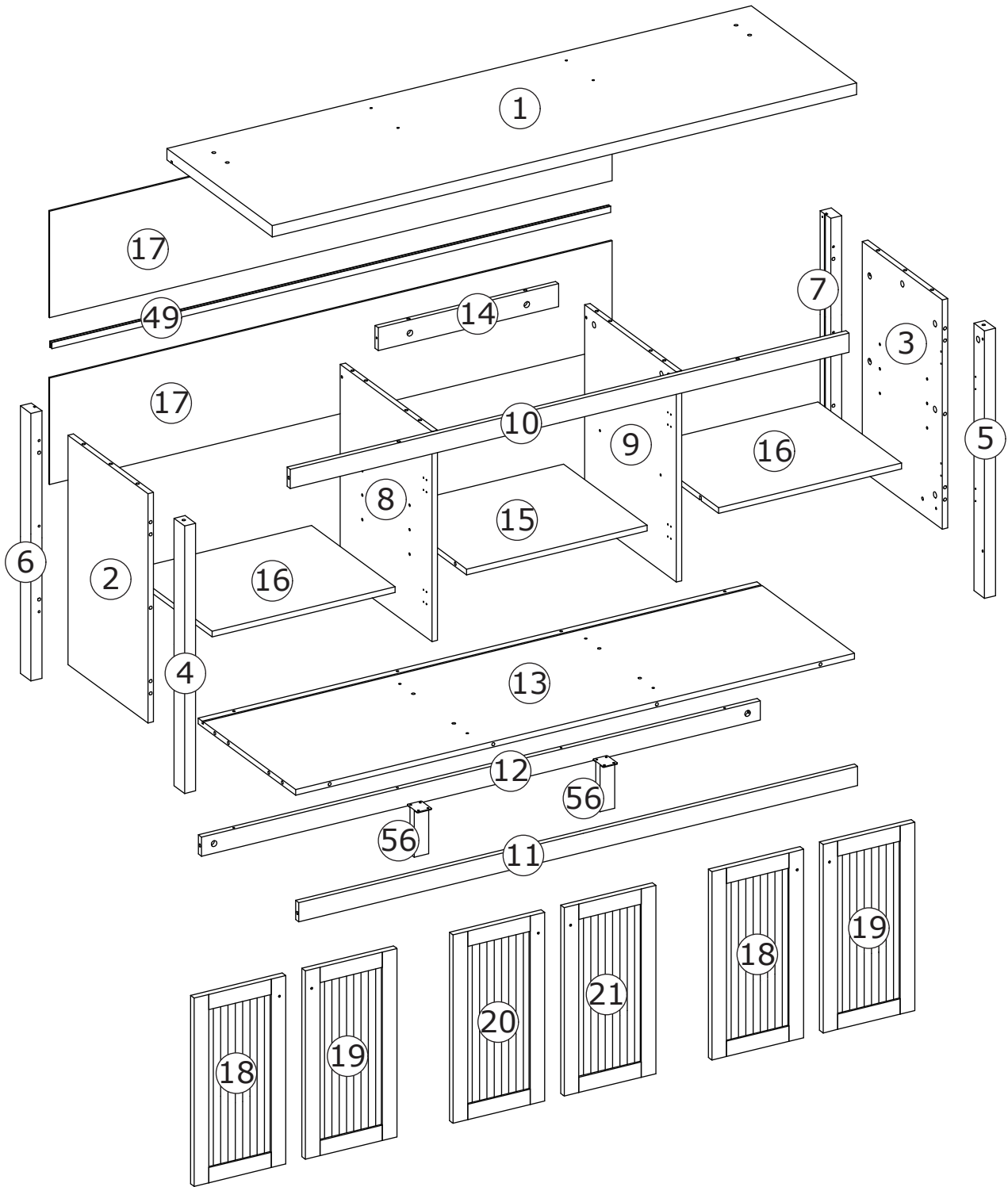


x2

62



x1



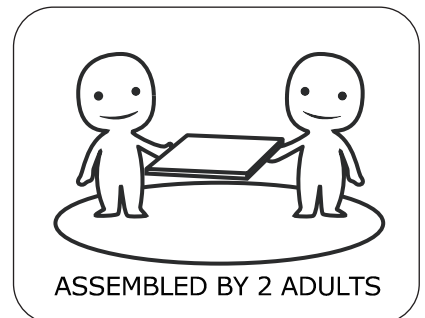
⚠ WARNING



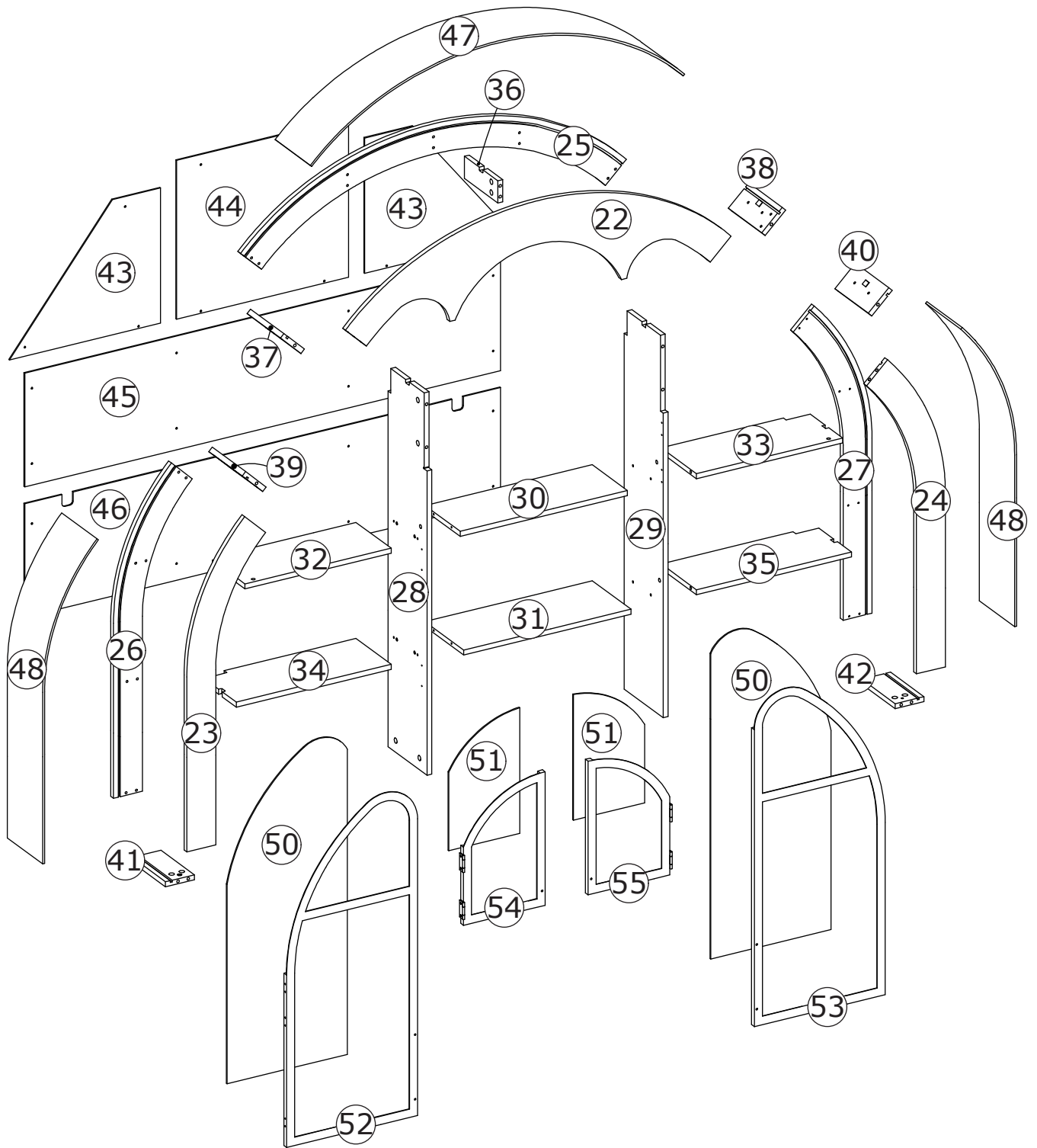
Children have died from furniture tipover. To reduce the risk of furniture tipover:

- ALWAYS install Anti-tip device provided.
- NEVER put a TV on this product.
- NEVER allow children to stand, climb or hang on drawers, doors, or shelves.
- NEVER open more than one drawer at a time.
- Place heaviest items in the lowest drawers.

*This is a permanent label.
Do not remove!*



ASSEMBLED BY 2 ADULTS



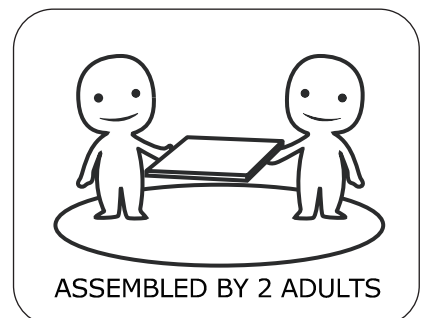
⚠ WARNING



Children have died from furniture tipover. To reduce the risk of furniture tipover:

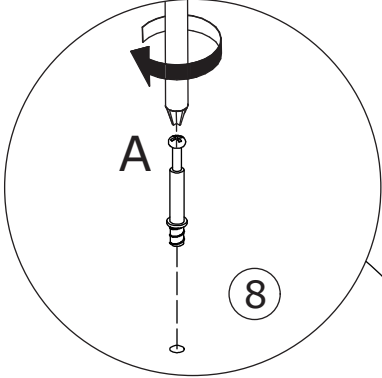
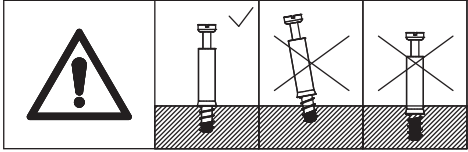
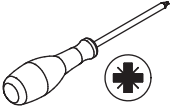
- ALWAYS install Anti-tip device provided.
- NEVER put a TV on this product.
- NEVER allow children to stand, climb or hang on drawers, doors, or shelves.
- NEVER open more than one drawer at a time.
- Place heaviest items in the lowest drawers.

*This is a permanent label.
Do not remove!*

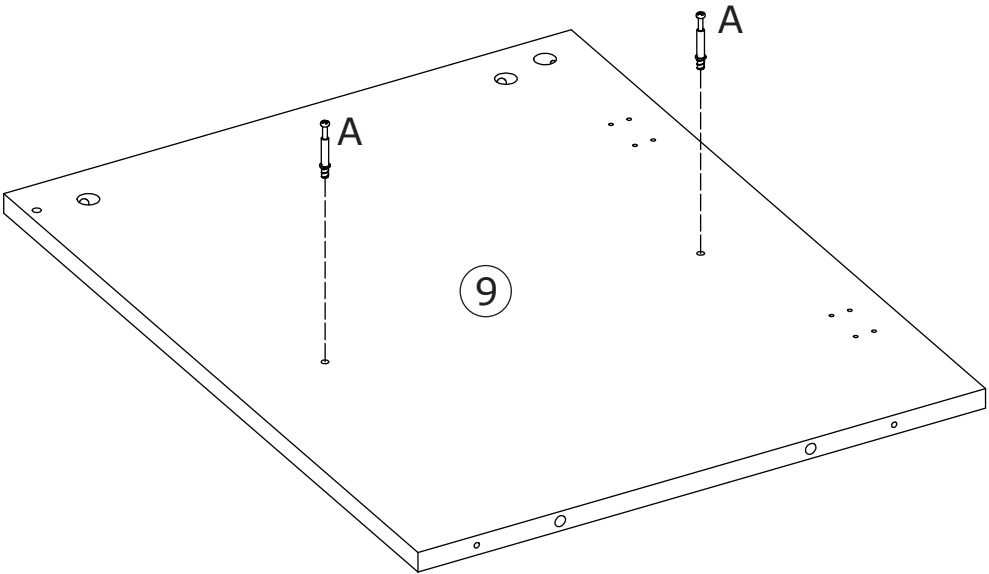
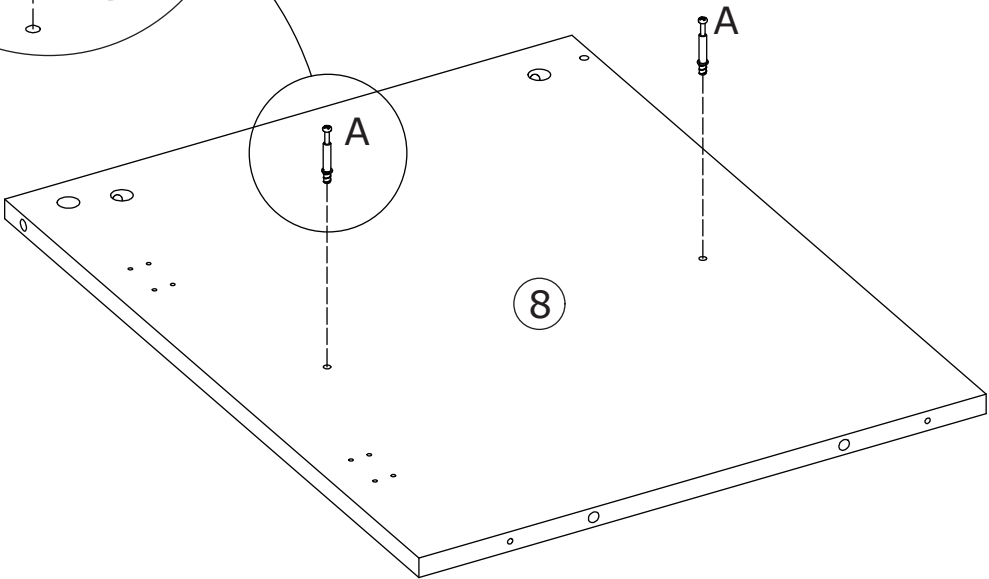


1

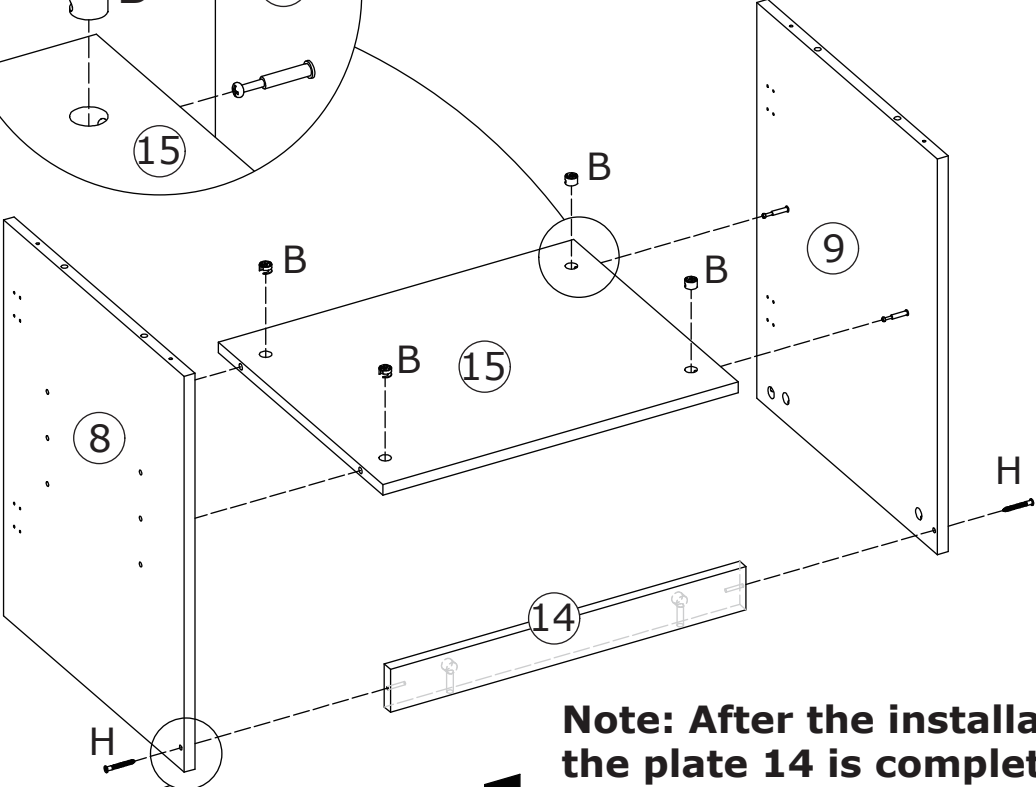
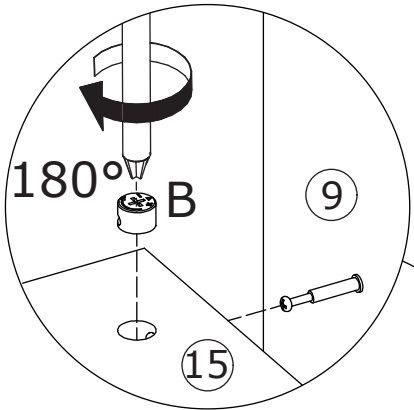
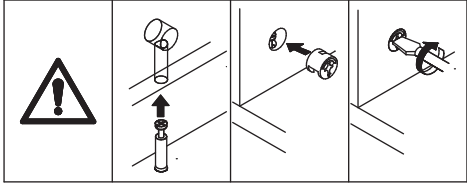
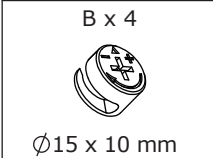
A x 4
M5 x 42 mm



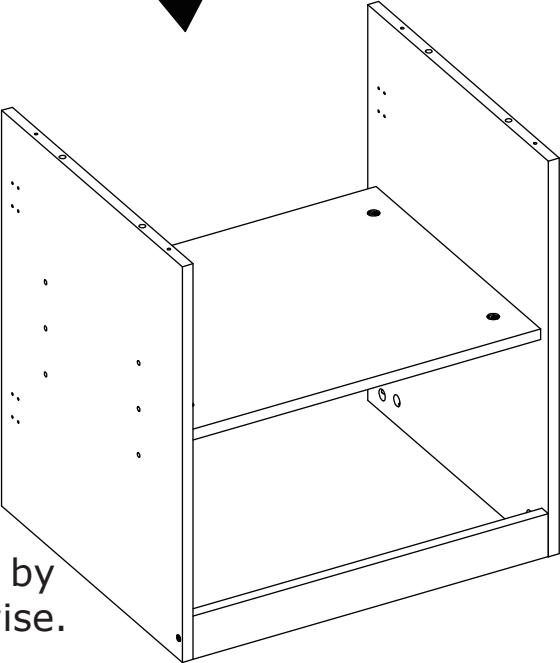
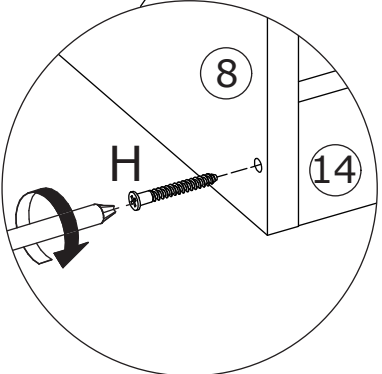
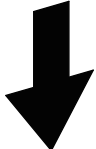
Screw eccentric rods (A) onto plates 8 and 9.



2

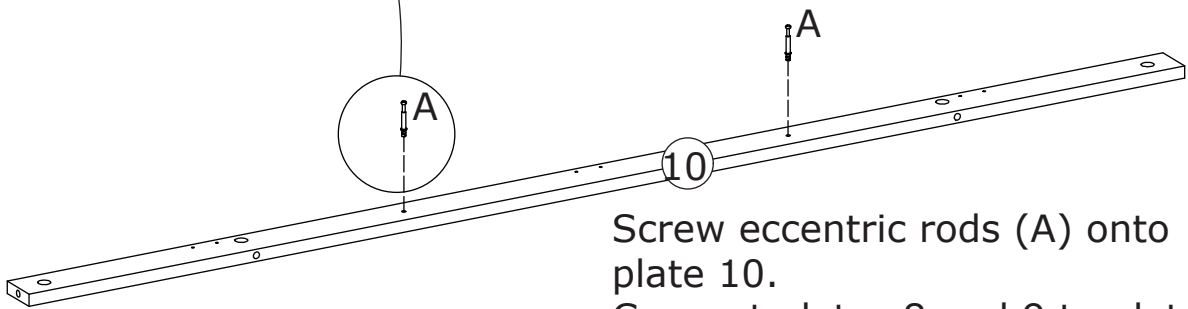
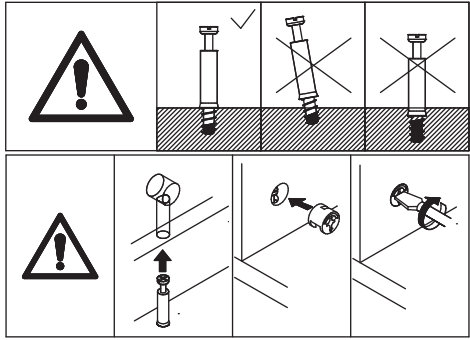
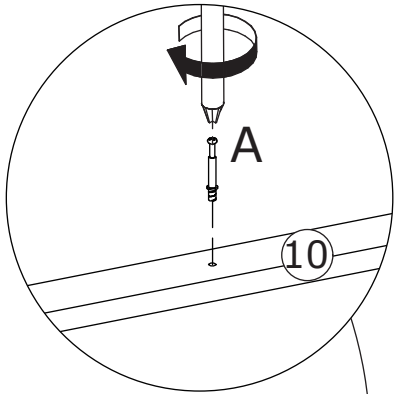
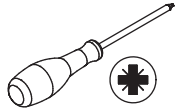
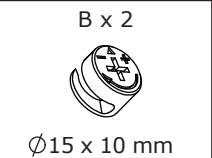
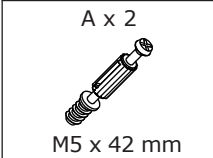


Note: After the installation of the plate 14 is completed, the holes are facing inward and cannot be seen.



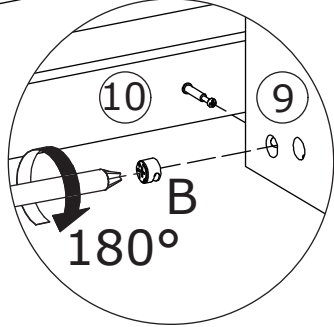
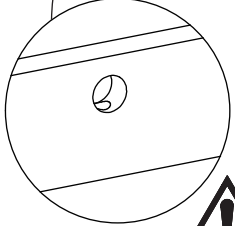
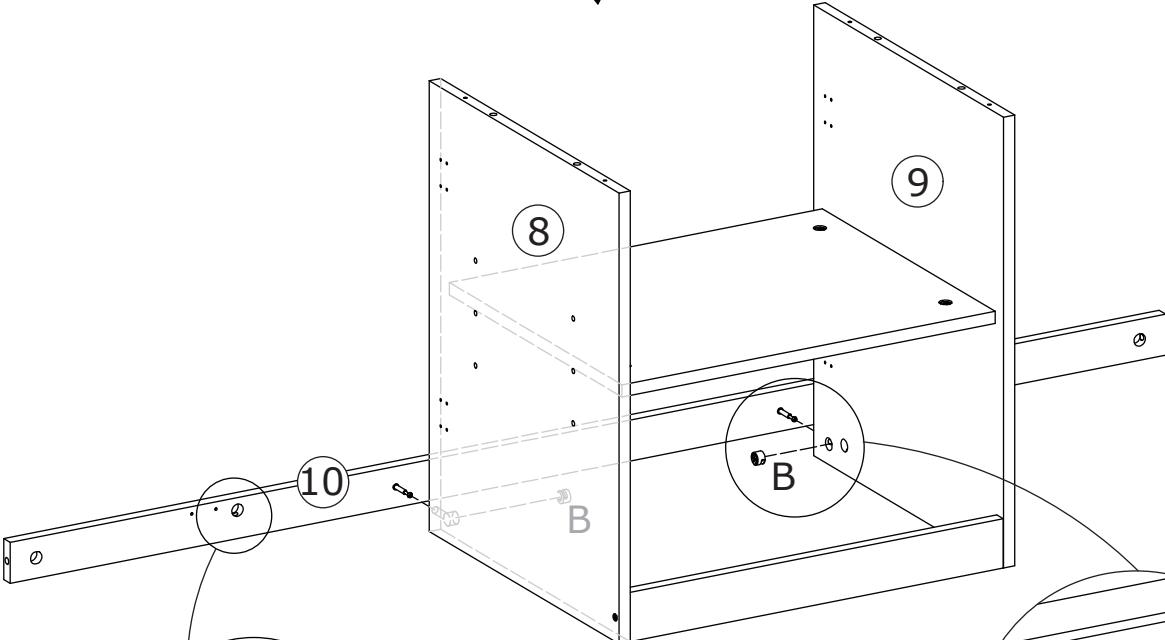
Connect plates 14 and 15 to plates 8 and 9, then tighten by turning cam locks (B) clockwise. Secure plates 8 and 9 to plate 14 using screws (H).

3

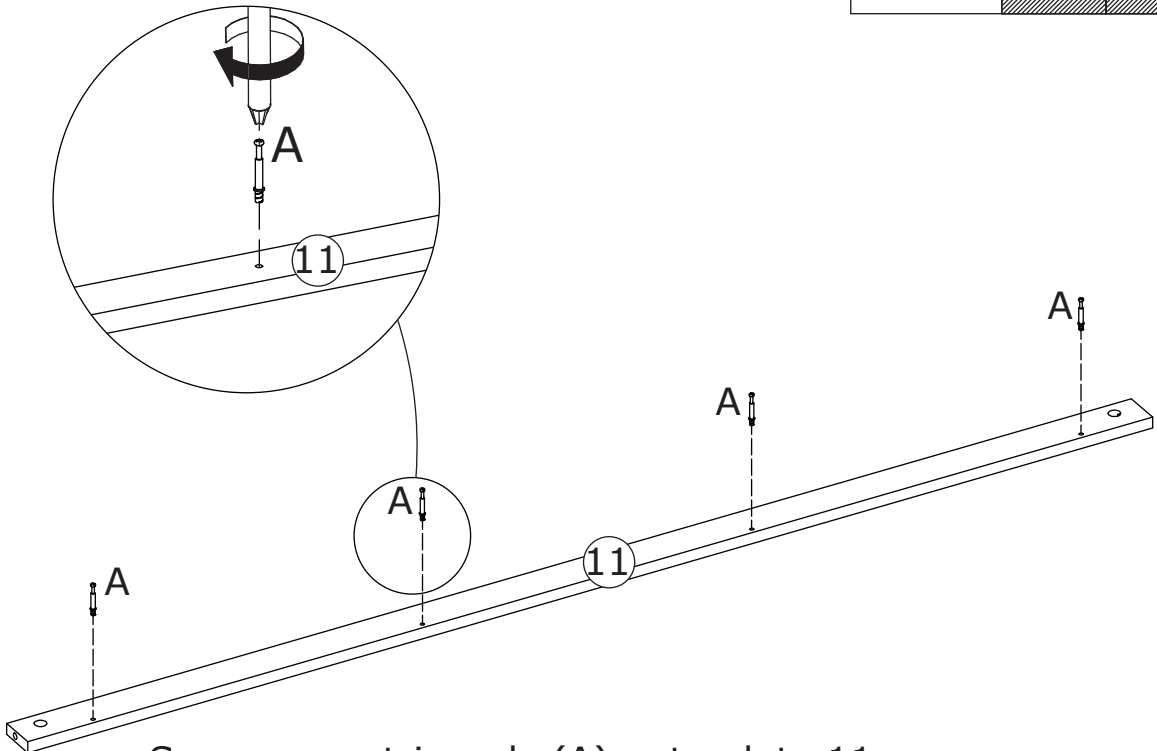
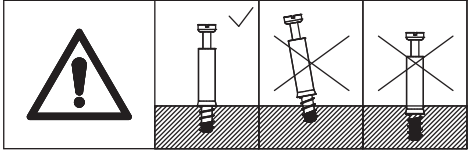
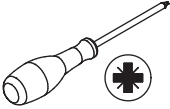
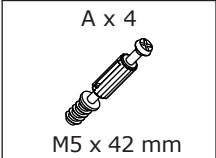


Screw eccentric rods (A) onto plate 10.

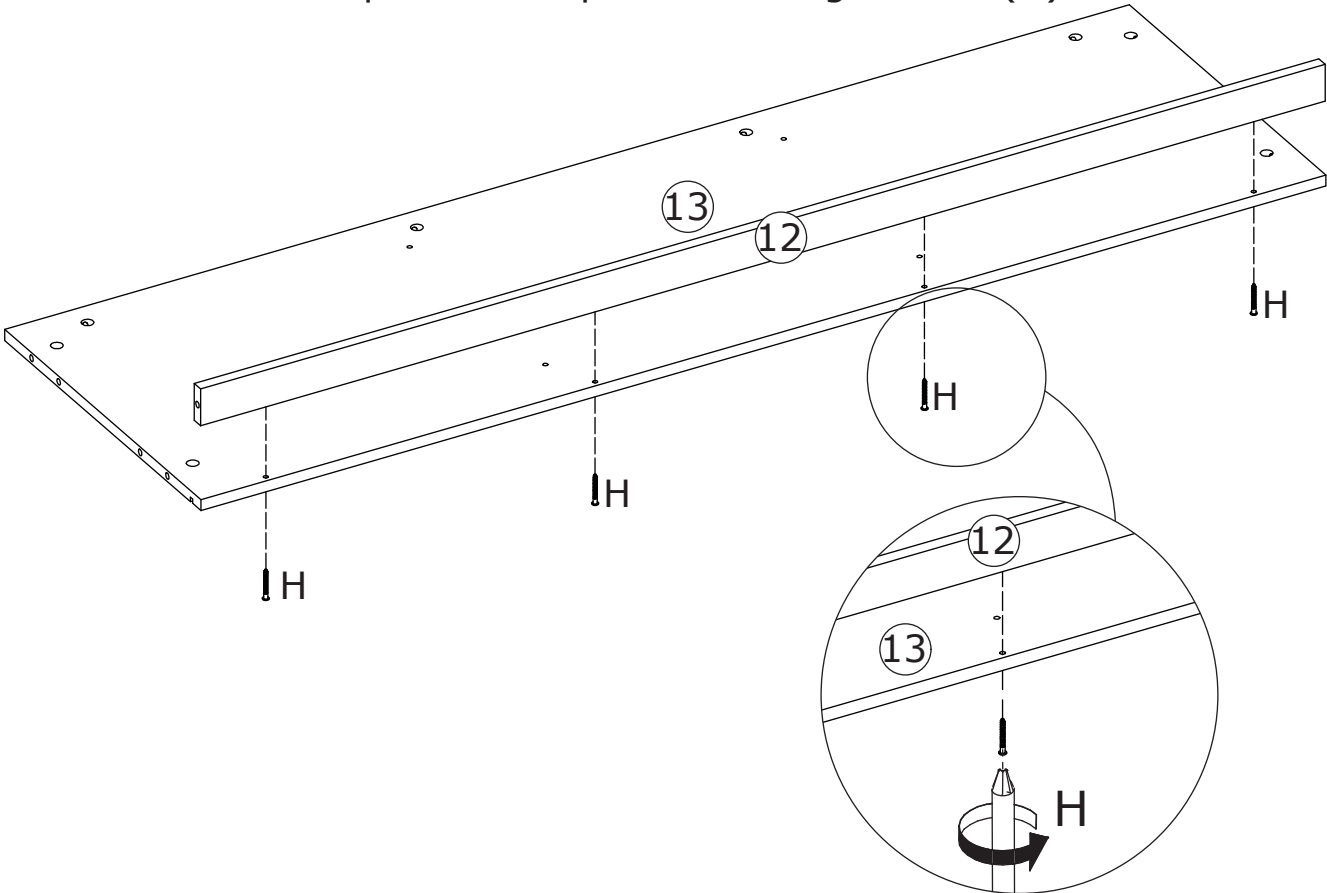
Connect plates 8 and 9 to plate 10, then tighten by turning cam locks (B) clockwise.



4

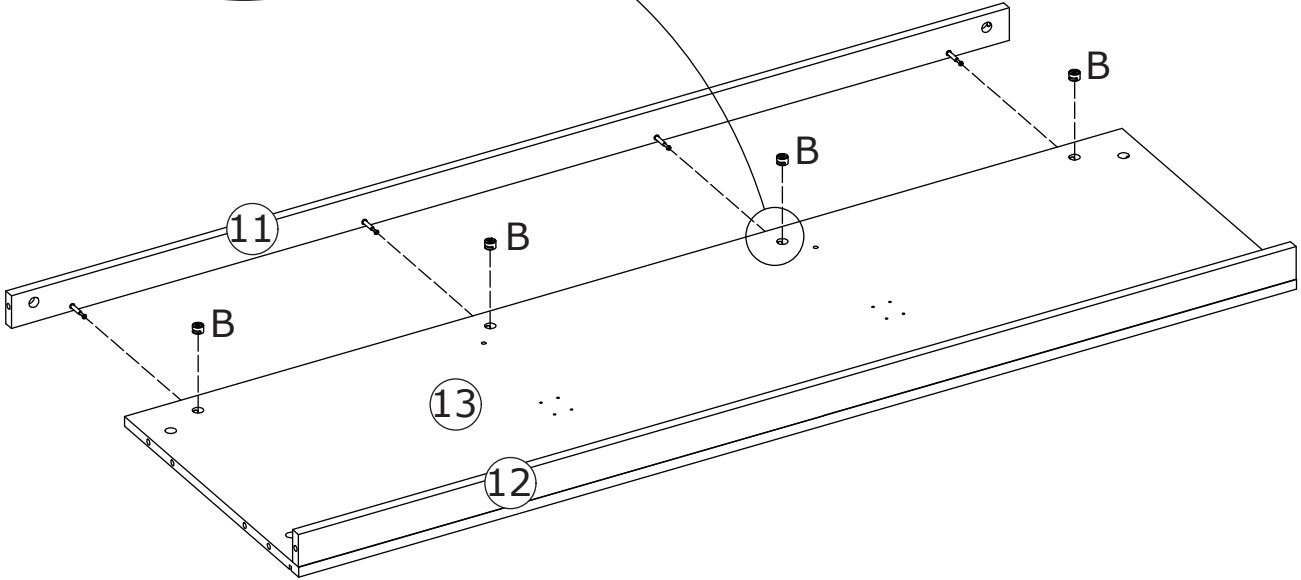
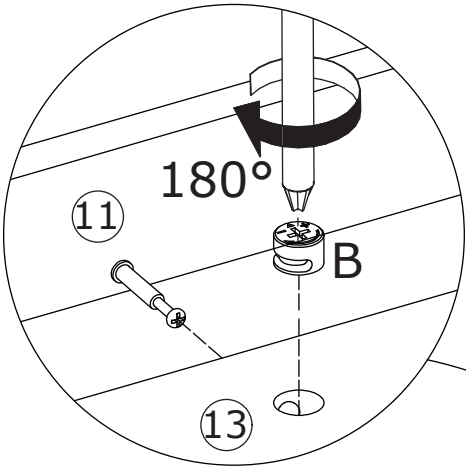
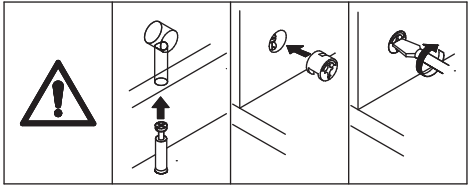
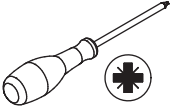


Screw eccentric rods (A) onto plate 11.
Secure plate 12 to plate 13 using screws (H).



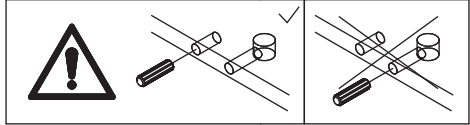
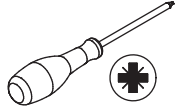
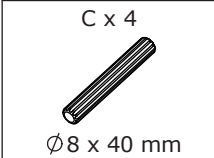
5

B x 4
Ø15 x 10 mm

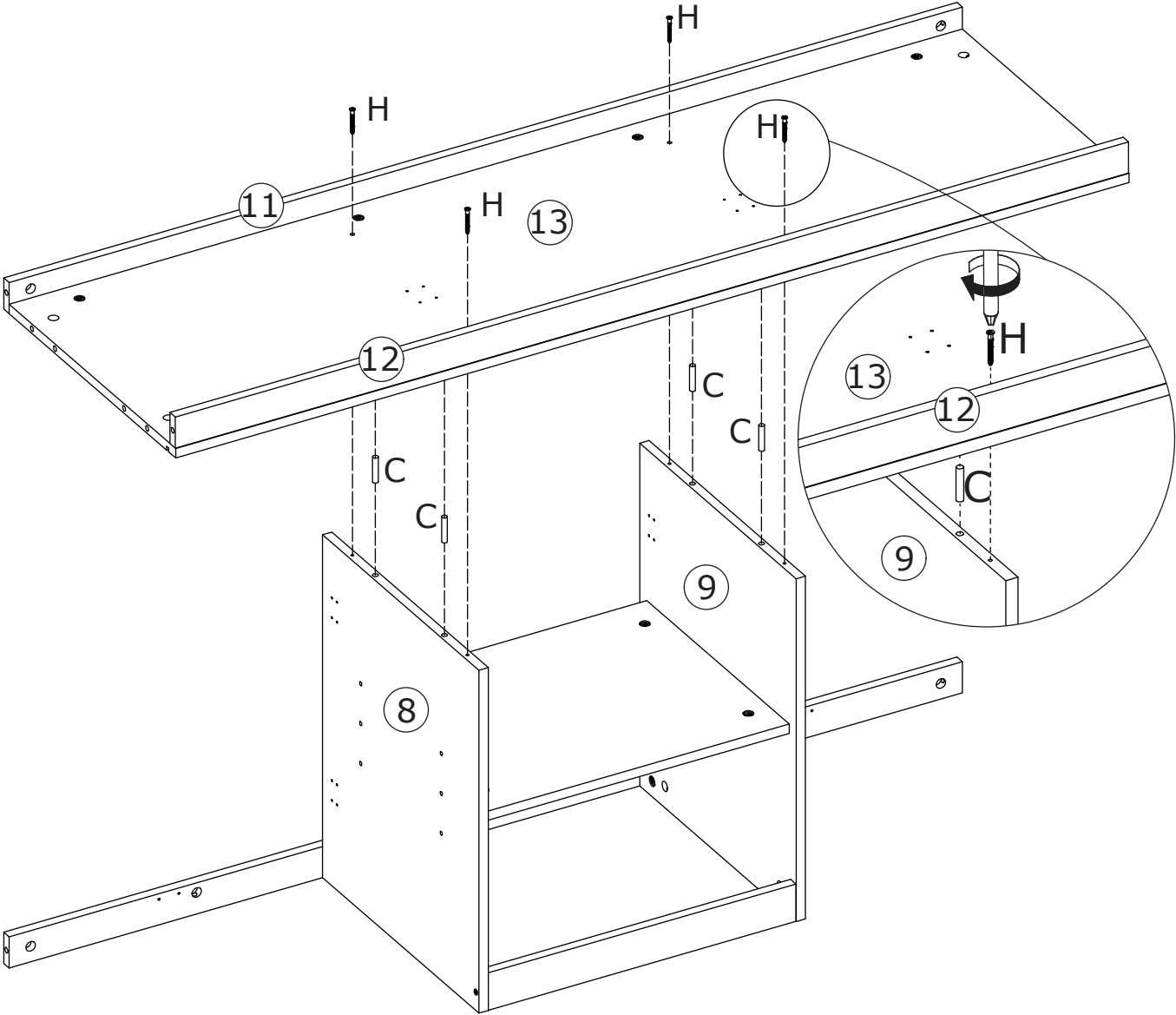


Connect plate 13 to plate 11, then tighten by turning cam locks (B) clockwise.

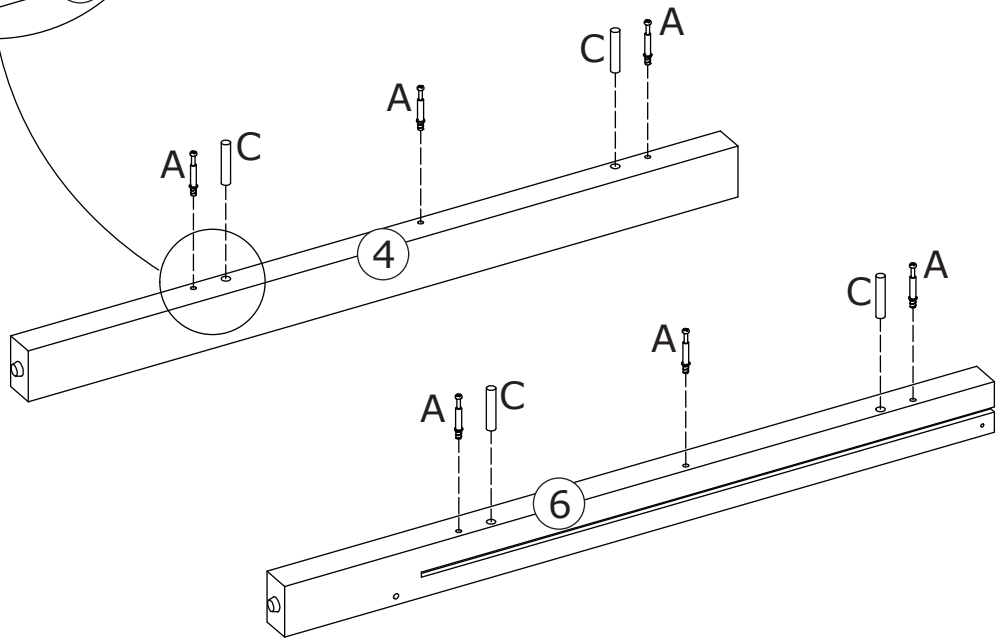
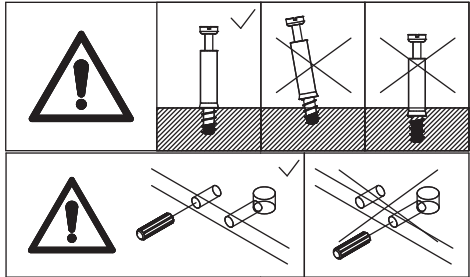
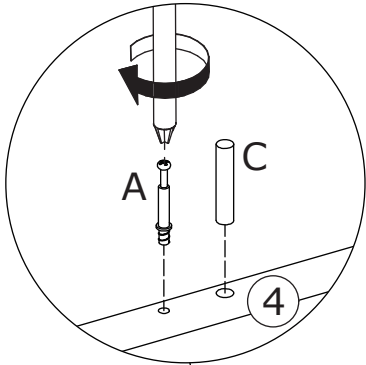
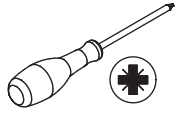
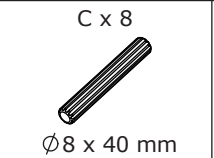
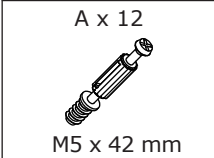
6



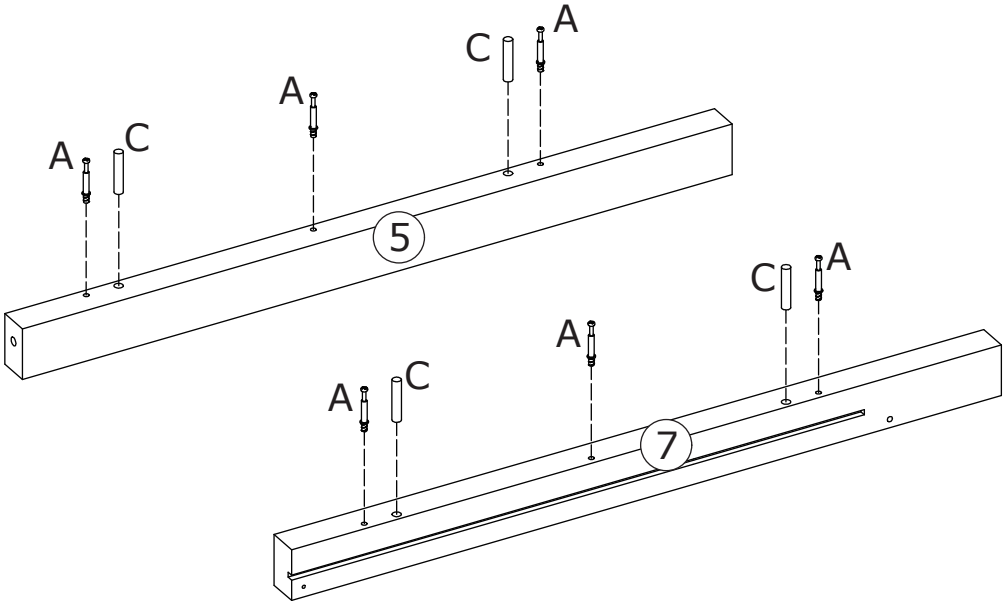
Connect plates 8 and 9 to plate 13 using wooden dowels (C), and secure them with screws (H).



7

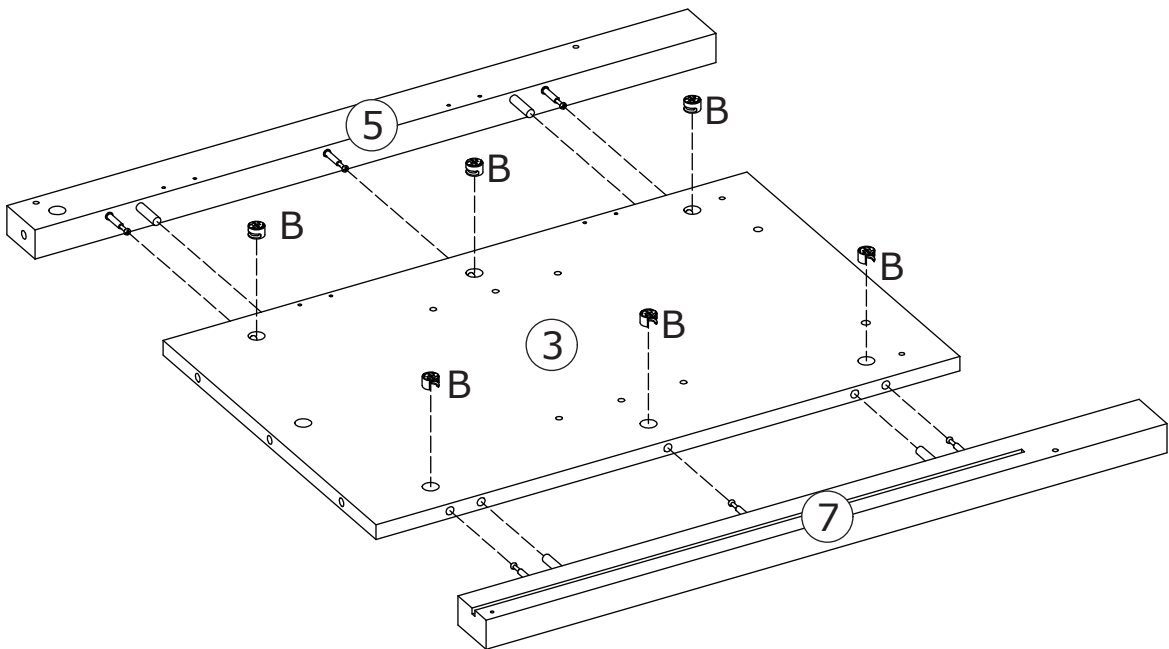
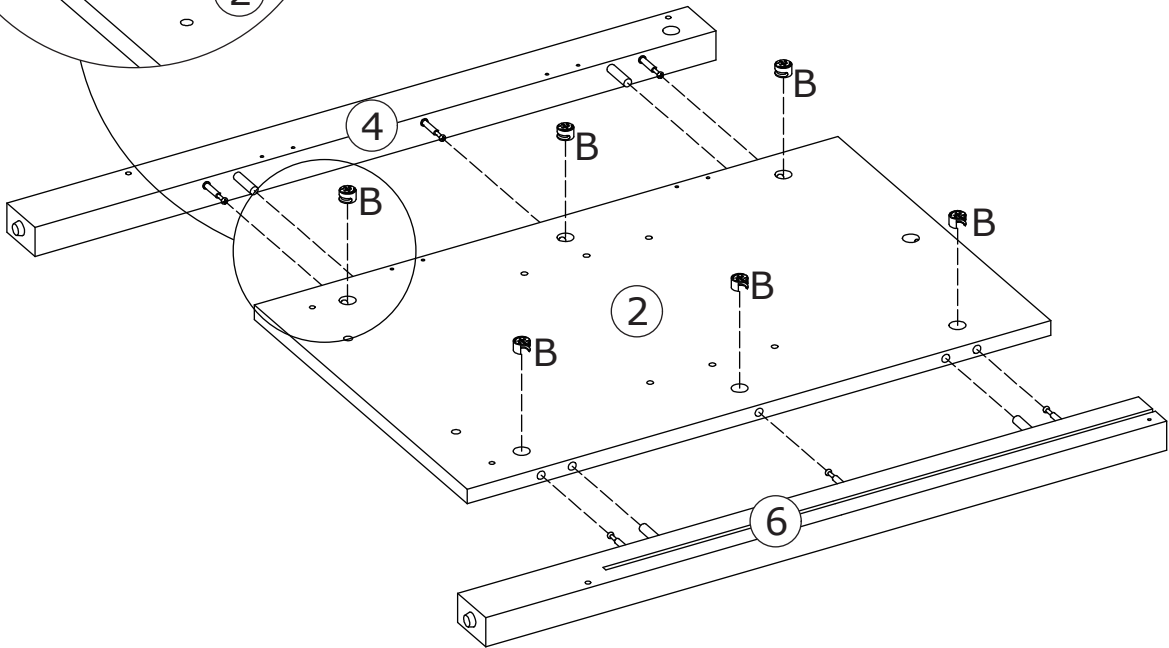
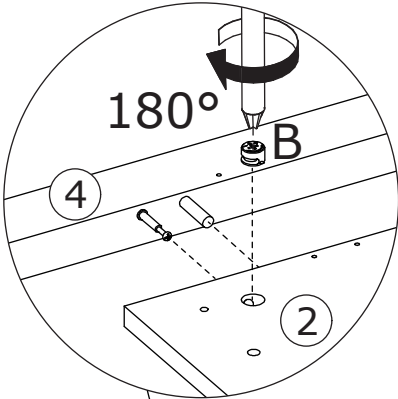
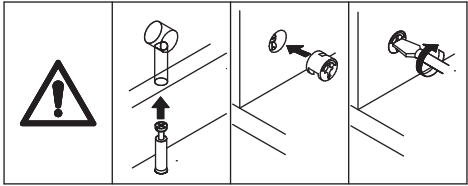
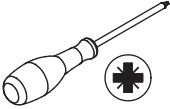


Screw eccentric rods (A) and insert wooden dowels (C) onto plates 4, 5, 6 and 7.



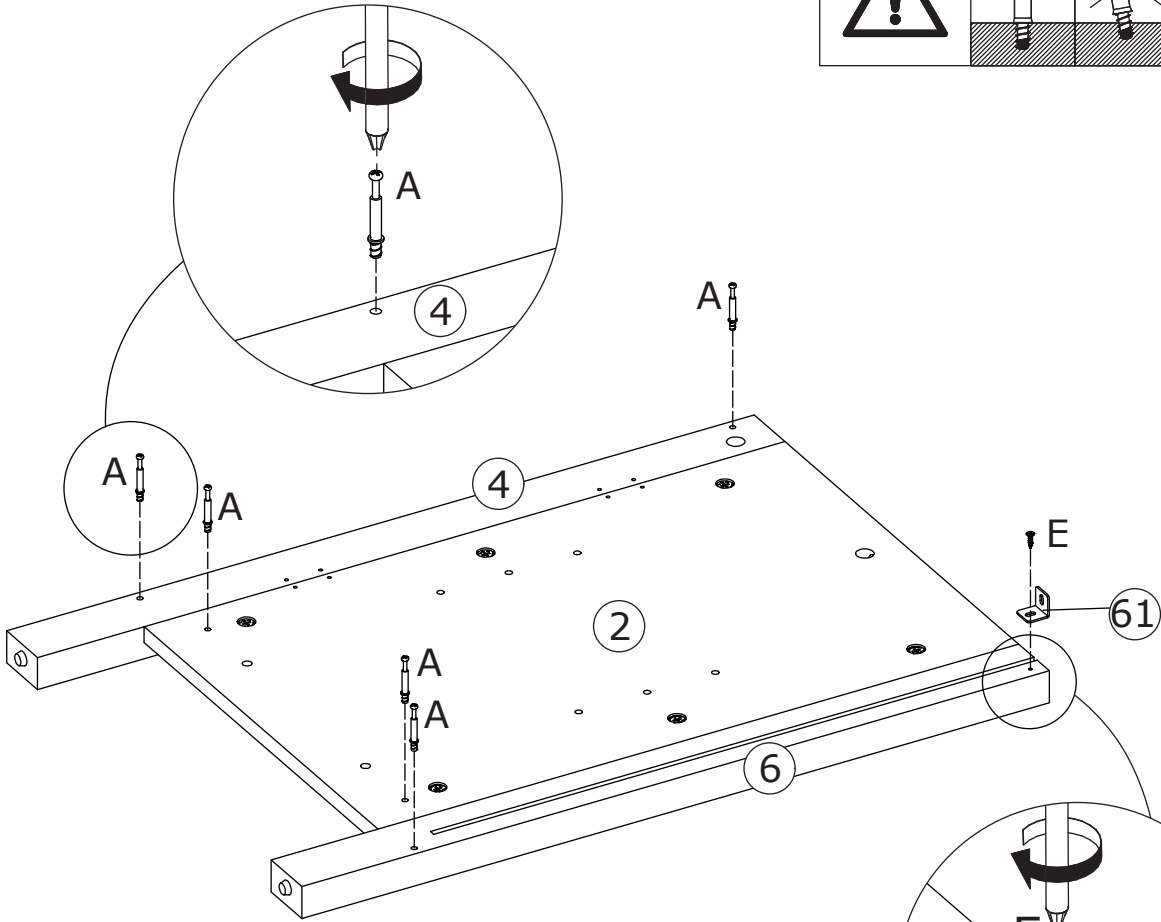
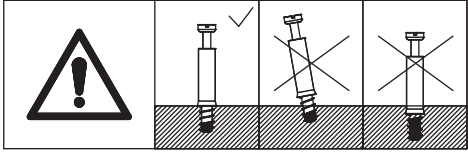
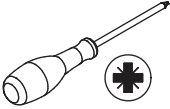
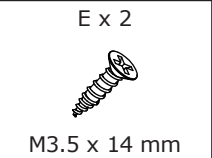
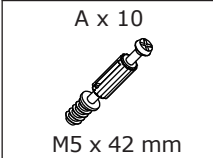
8

B x 12
Ø15 x 10 mm

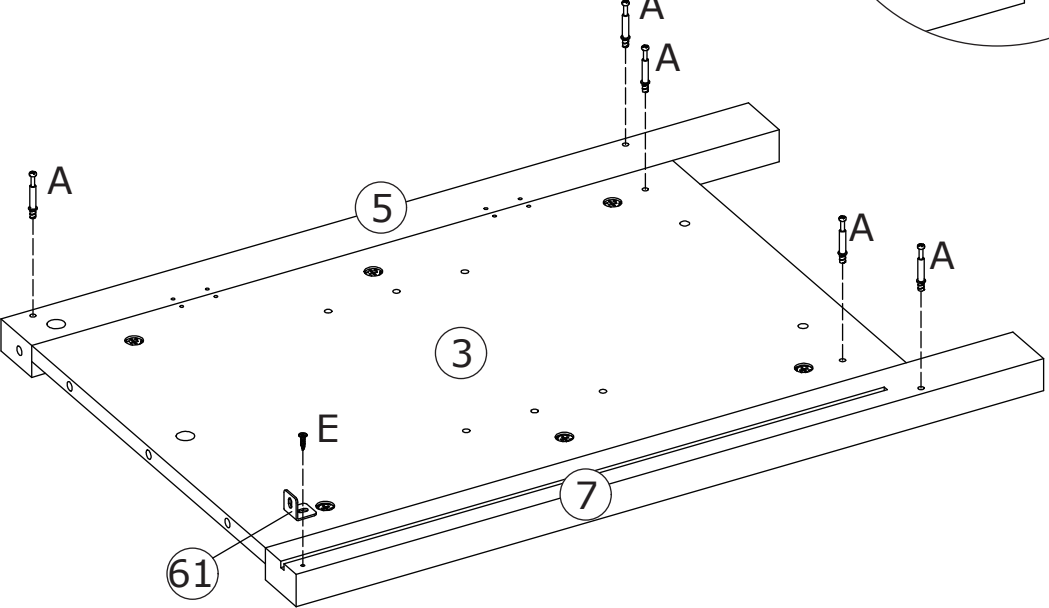
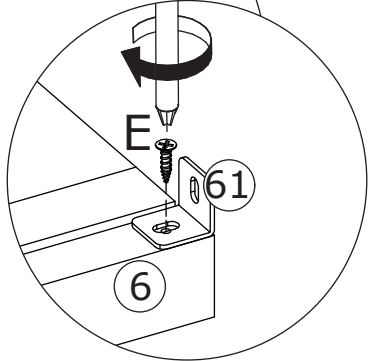


Connect plates 4 and 6 to plate 2, plates 5 and 7 to plate 3.
Then tighten by turning cam locks (B) clockwise.

9



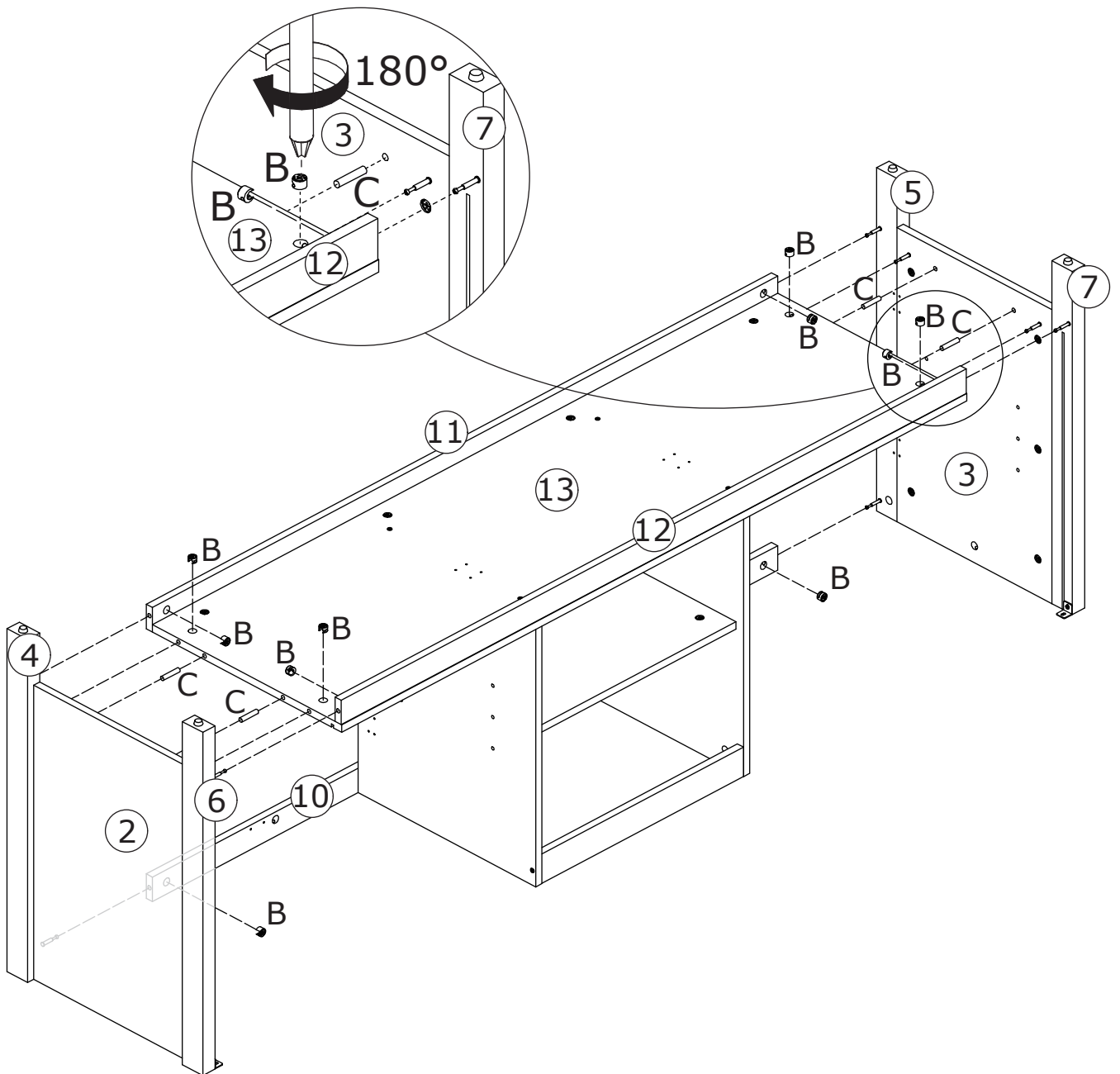
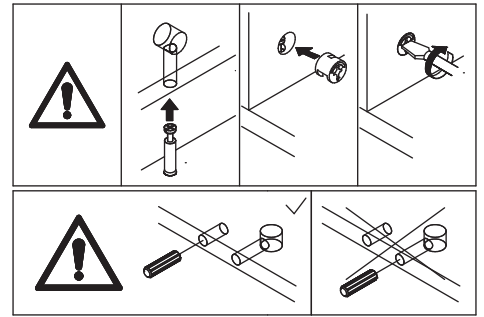
Screw eccentric rods (A) onto plates 2, 3, 4, 5, 6 and 7.
Secure bracket 61 to plates 6 and 7 using screw (E).



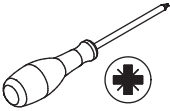
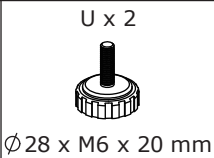
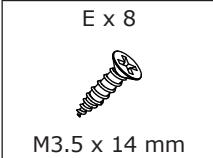
10

<p>B x 10</p>  <p>Ø15 x 10 mm</p>	<p>C x 4</p>  <p>Ø8 x 40 mm</p>	 
--	--	---

Connect plates 11, 12 and 13 to plates 2, 3, 4, 5, 6 and 7 using wooden dowels (C), then tighten by turning cam locks (B) clockwise.

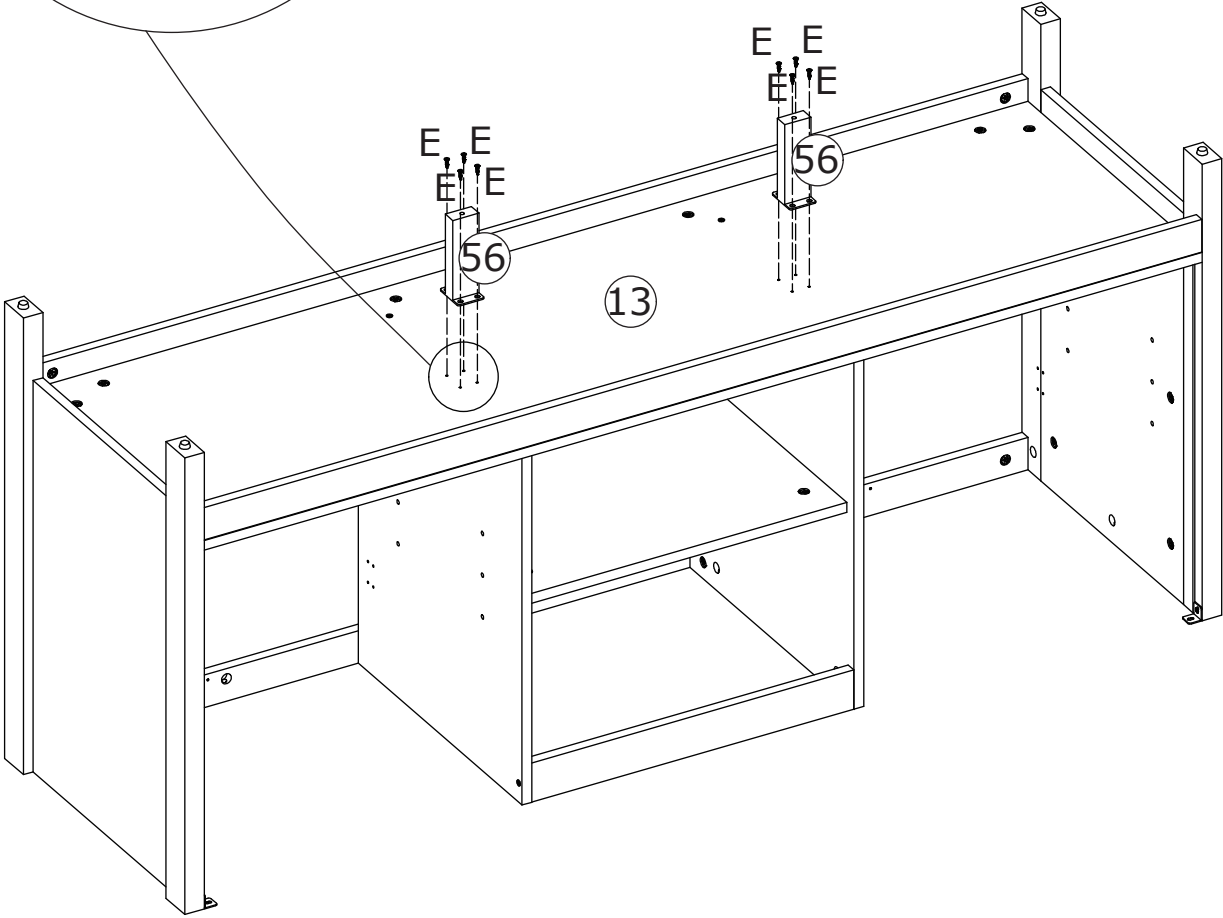
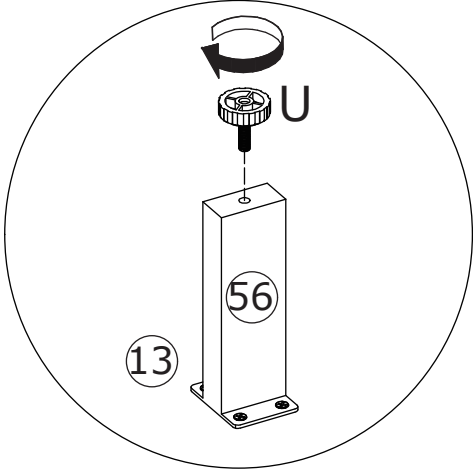
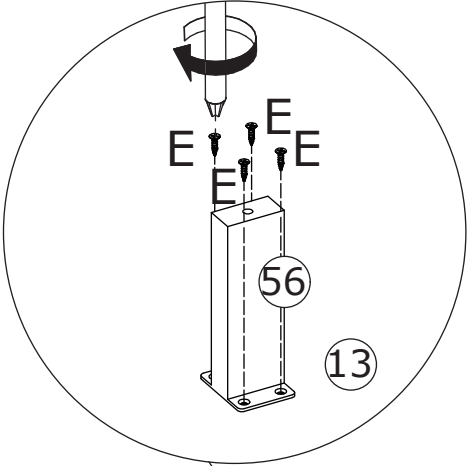


11

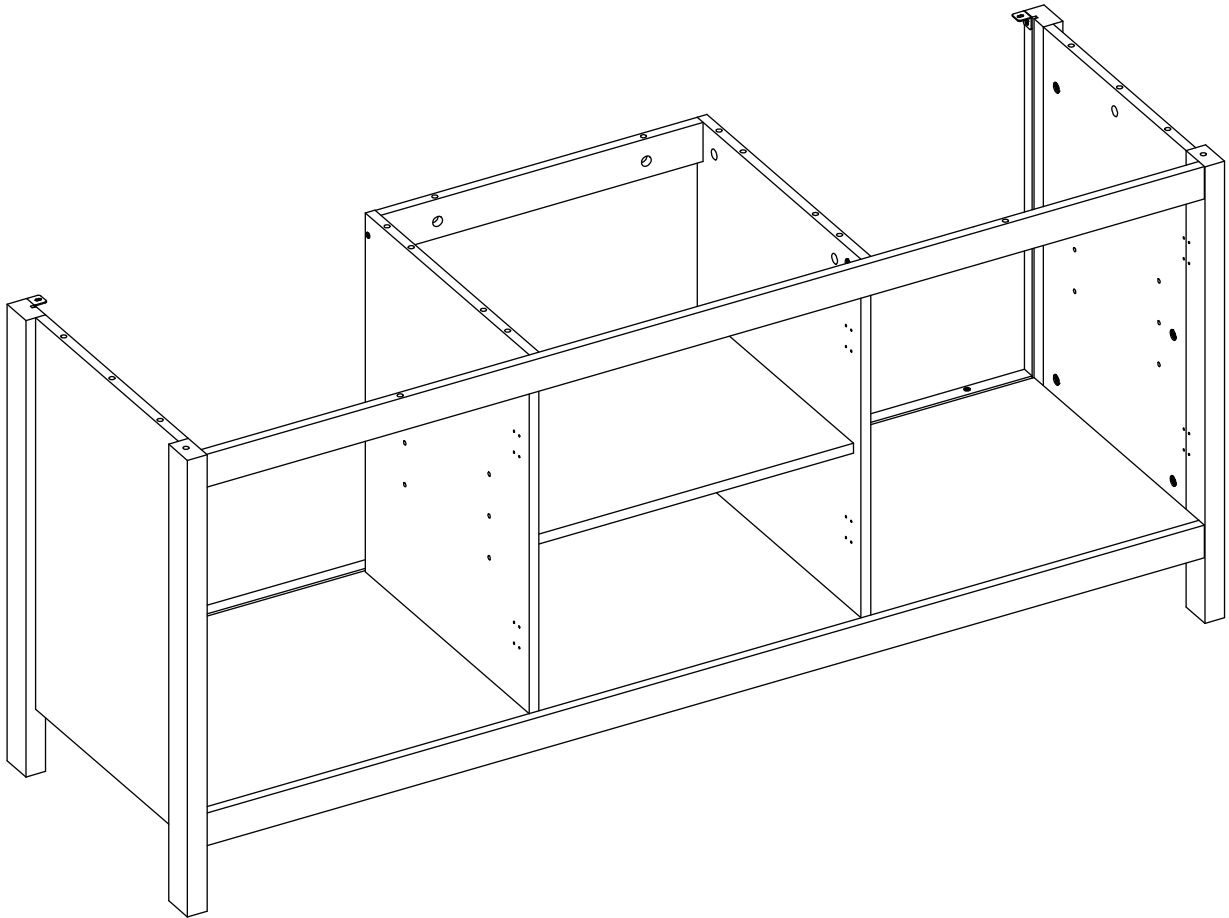
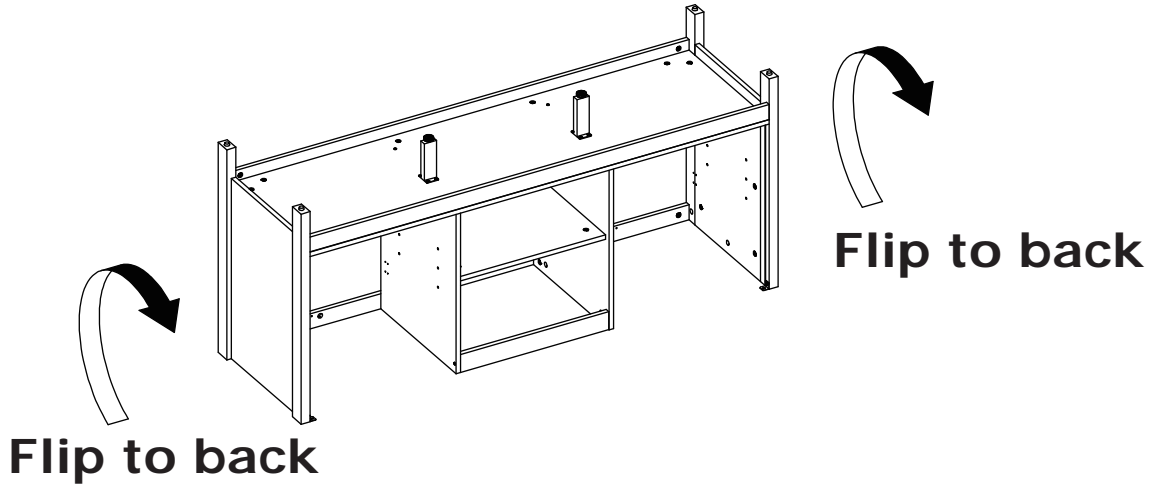
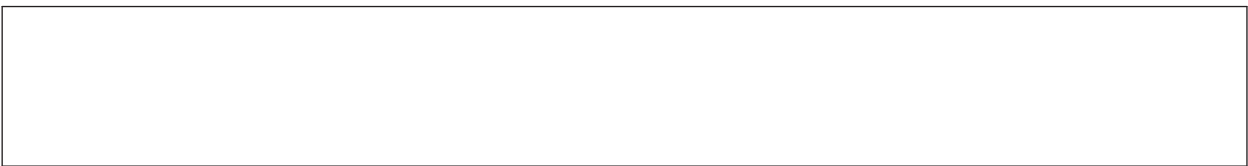


First secure the iron foot 56 to plate 13 using screws (E), then attach the adjustable foot stud to the iron foot 56.

Note: Tighten the adjustment stud all the way down.



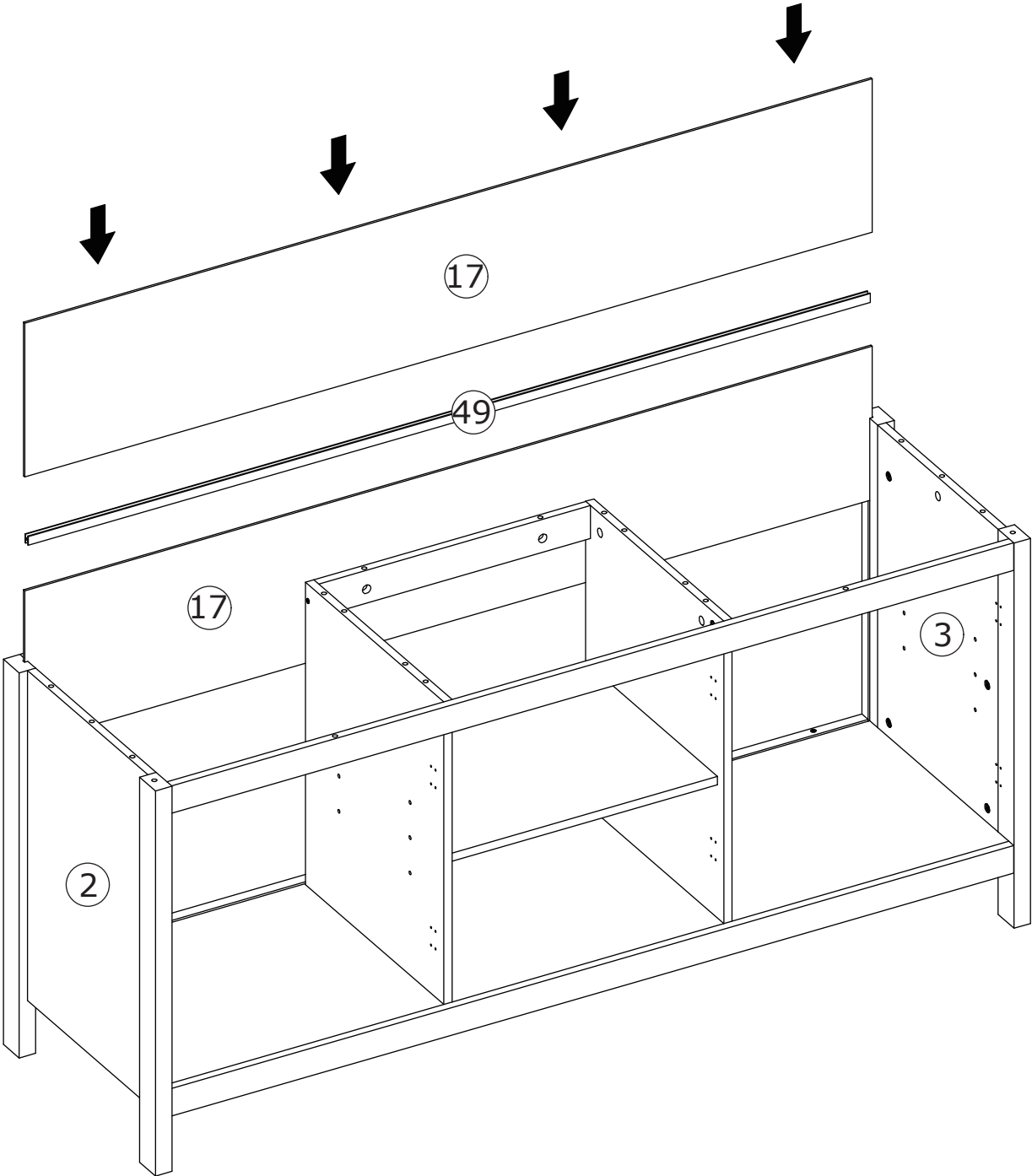
12



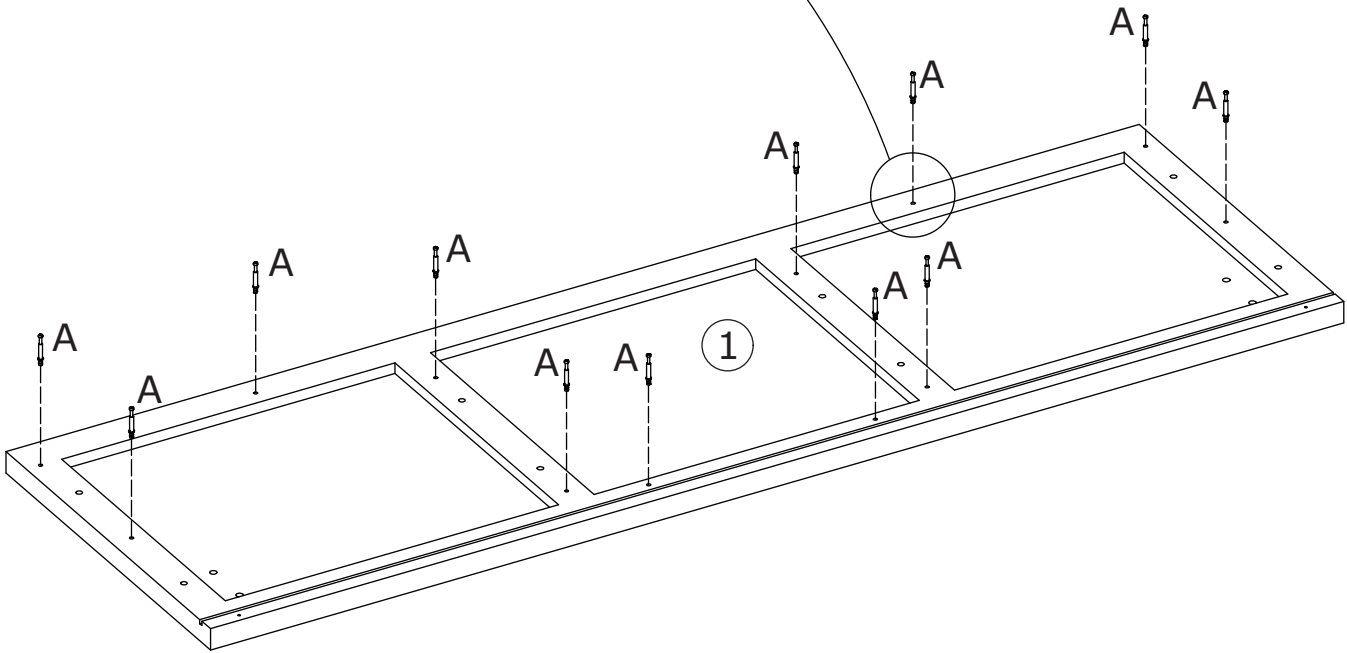
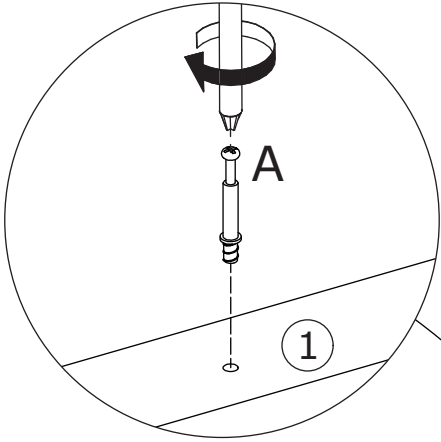
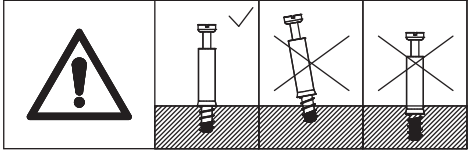
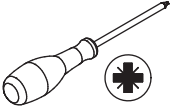
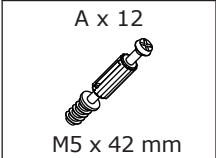
13



Insert plate 17 and plank 49 into the available slots.



14



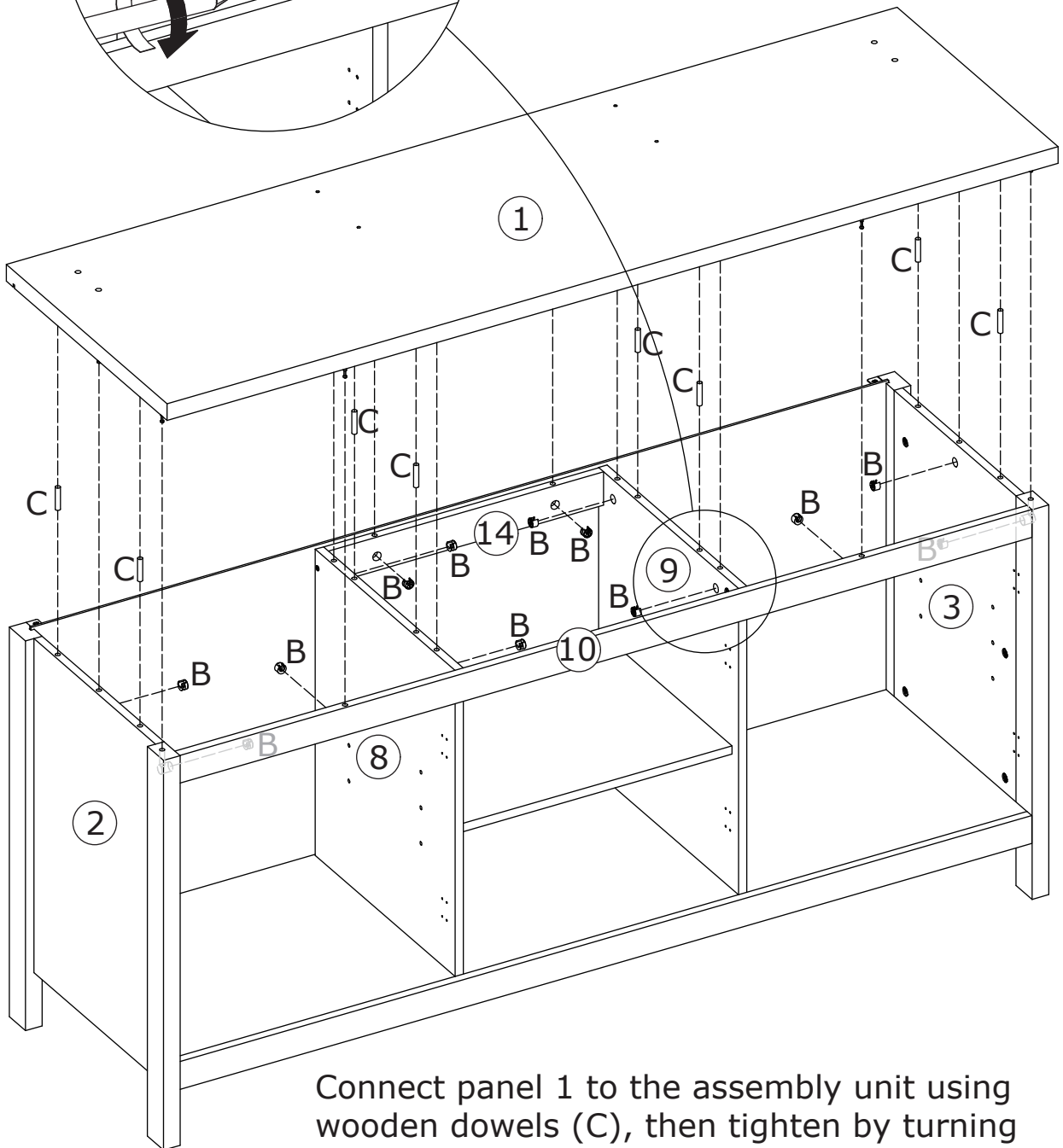
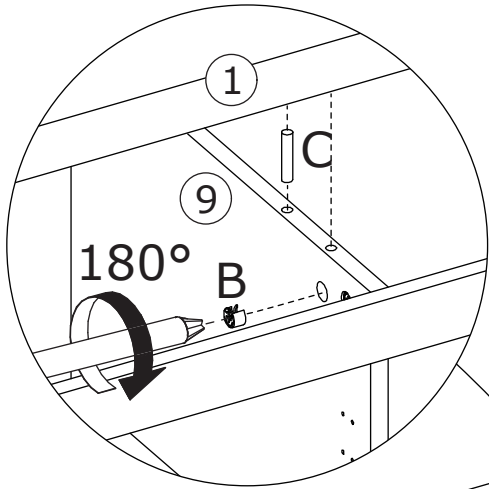
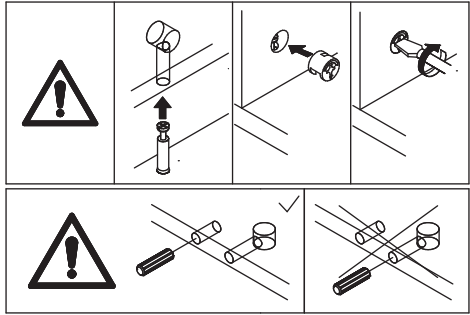
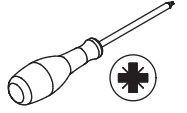
Screw eccentric rods (A) onto plate 1.

15

B x 12
Ø15 x 10 mm

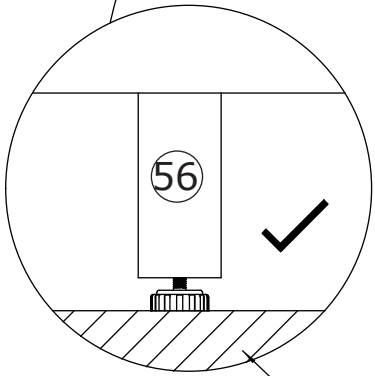
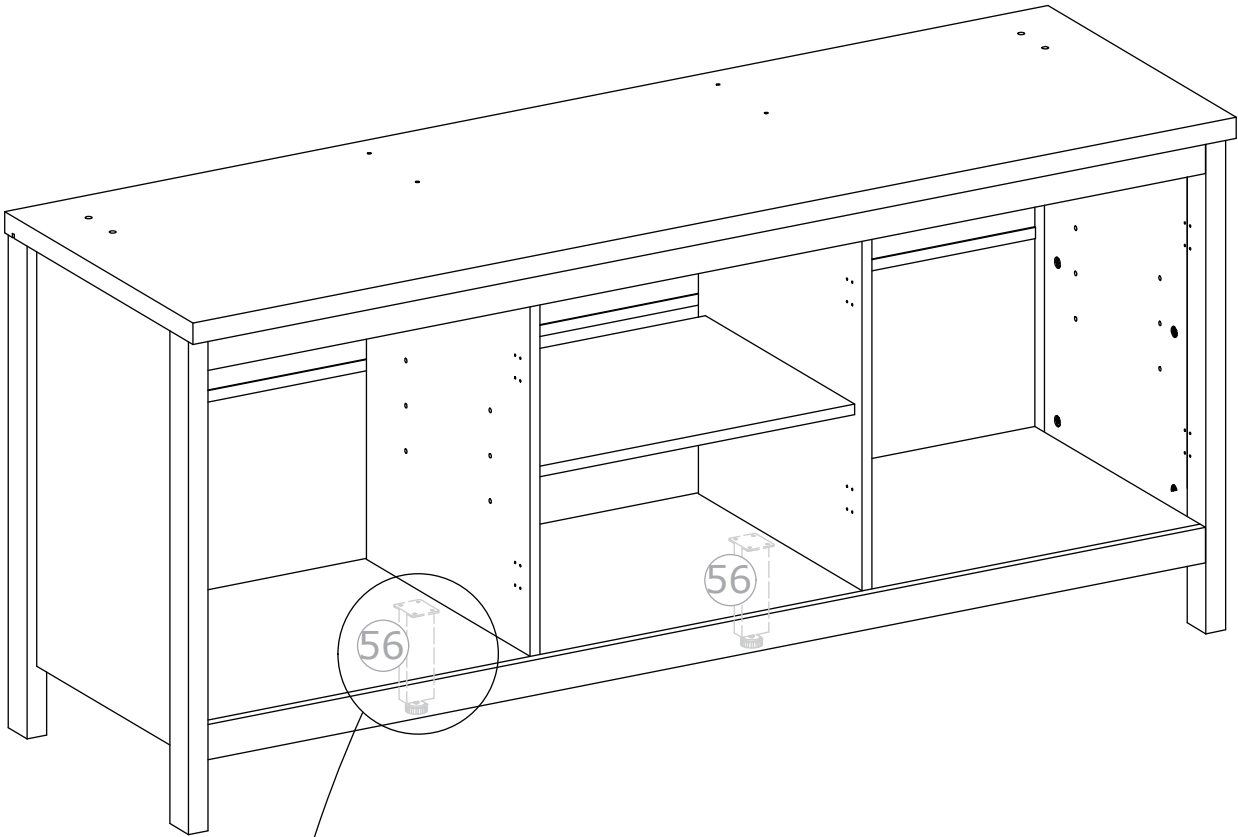


C x 8
Ø8 x 40 mm

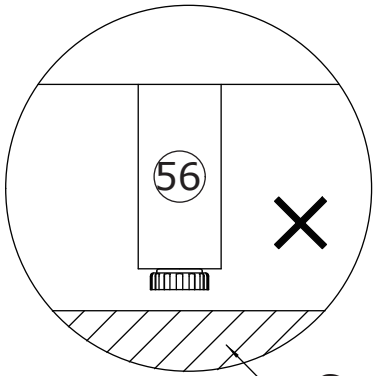


Connect panel 1 to the assembly unit using wooden dowels (C), then tighten by turning cam locks (B) clockwise.

16

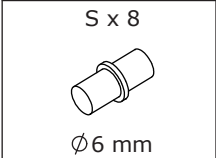


State 1 Ground

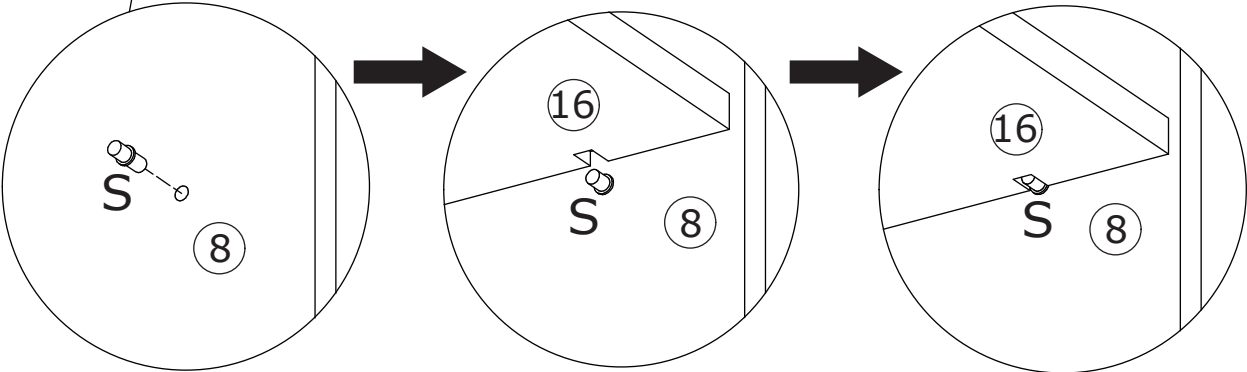
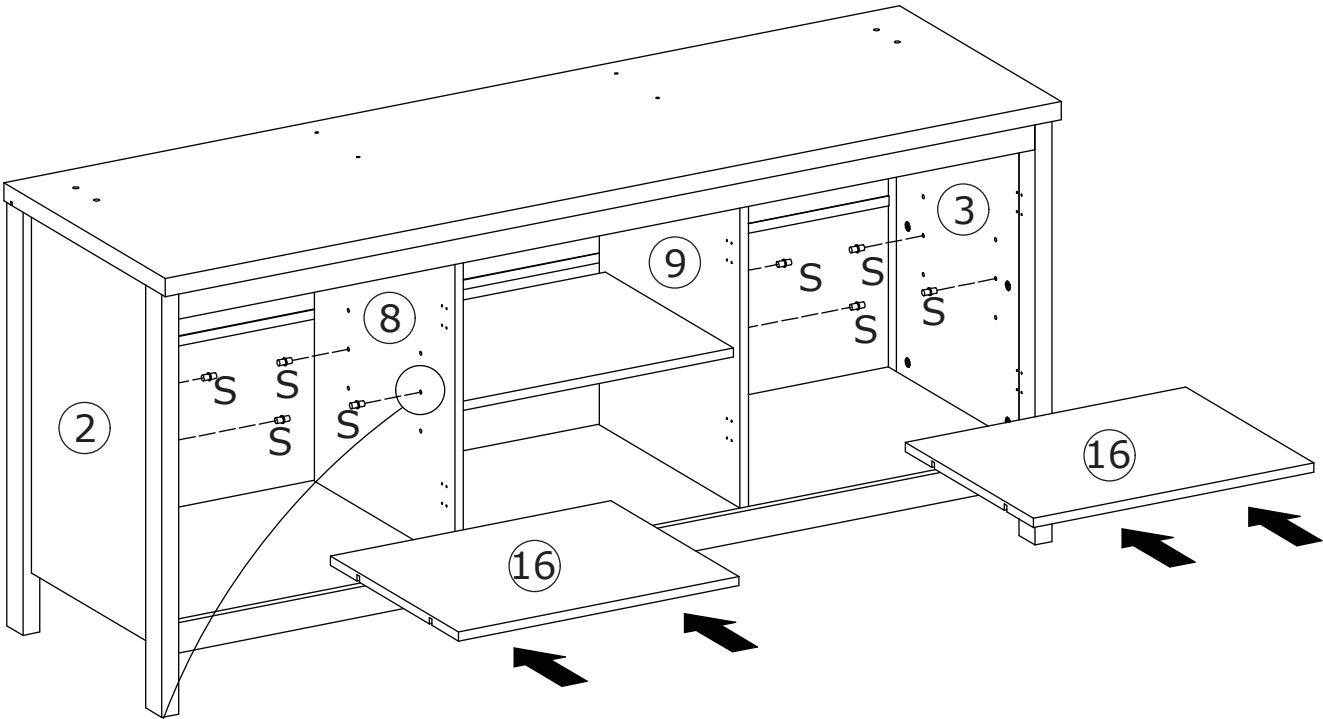


State 2 Ground

17



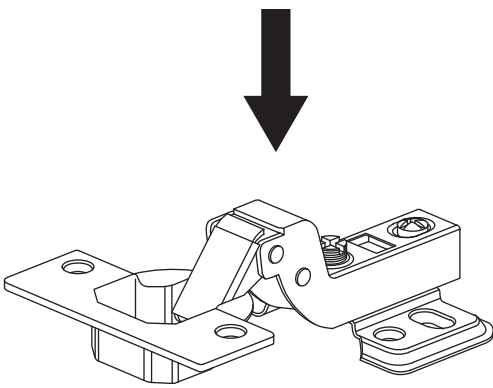
Insert pins (S) into plates 2, 3, 8 and 9, and place plate 16 as shown.



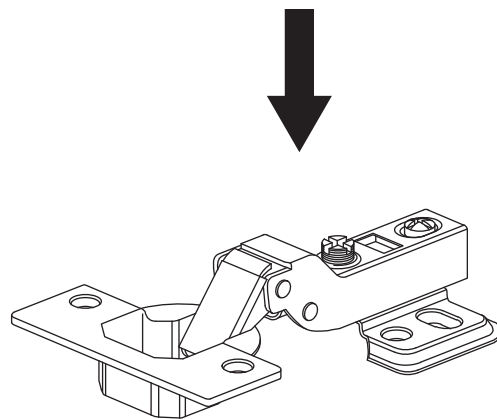


Pay attention to the difference between the middle parts of the two types of door hinges.

- The large curved door hinges(N) are used on the outermost door plates.
- And the small curved door hinges(P) are used on the middle door plates.



N

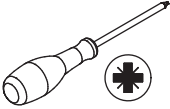


P

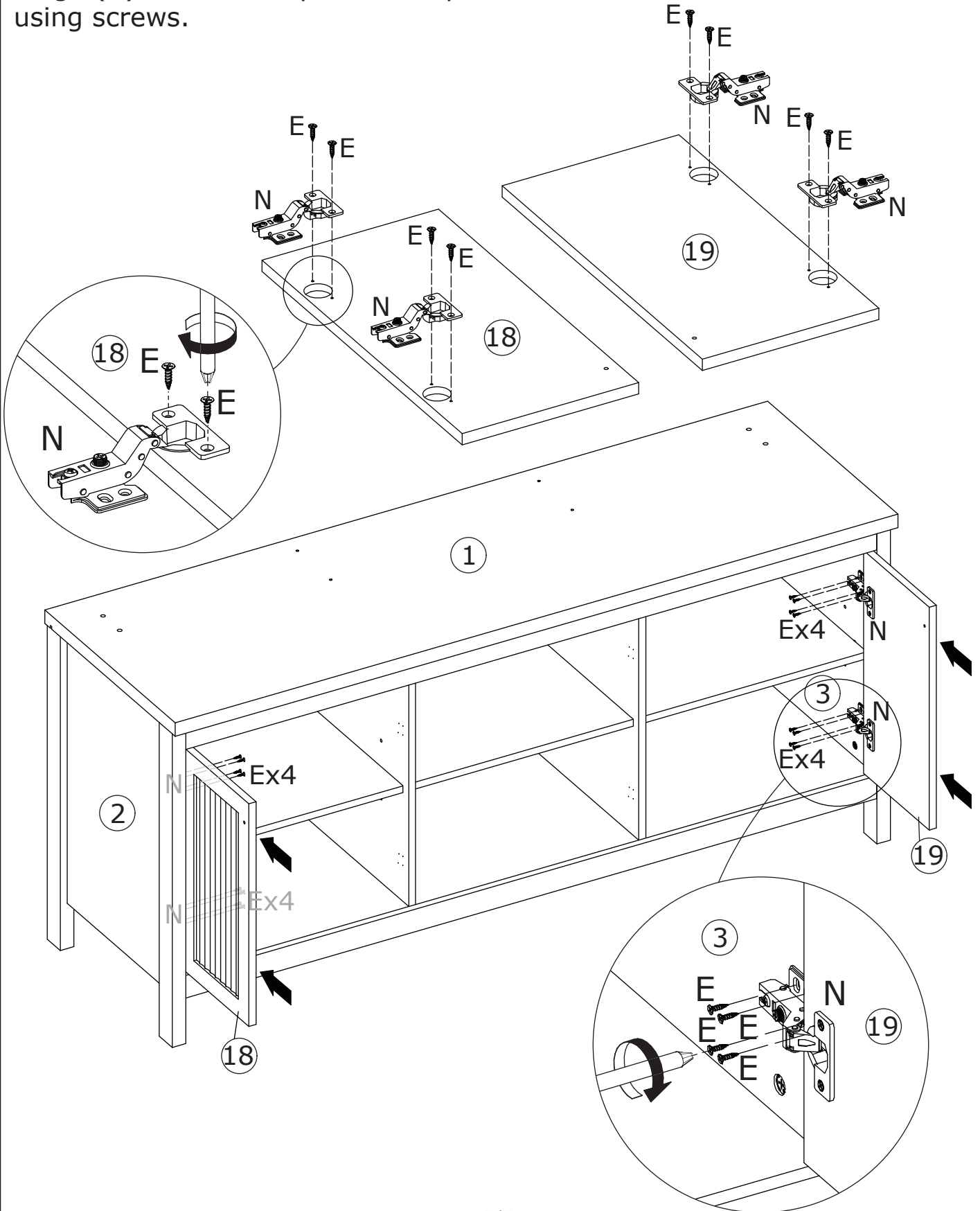
19

E x 24
M3.5 x 14 mm

N x 4
DW12 mm



First secure the door hinge (E) to panels 18 and 19 using screws. Then secure the corresponding door hinge (N) at the door position to panels 2 and 3 using screws.



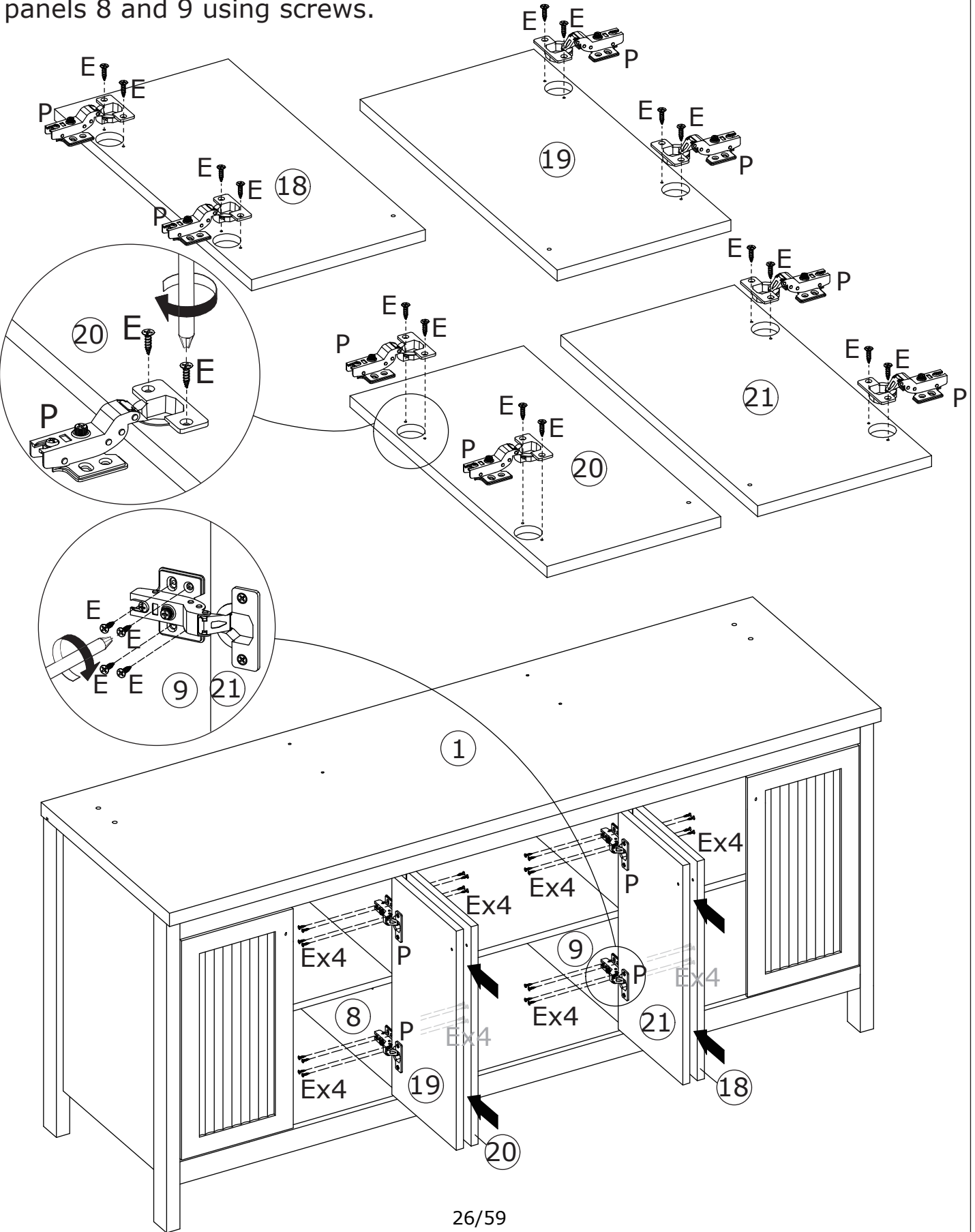
20

E x 48
M3.5 x 14 mm

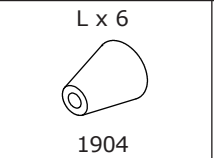
P x 8
ZW12 mm



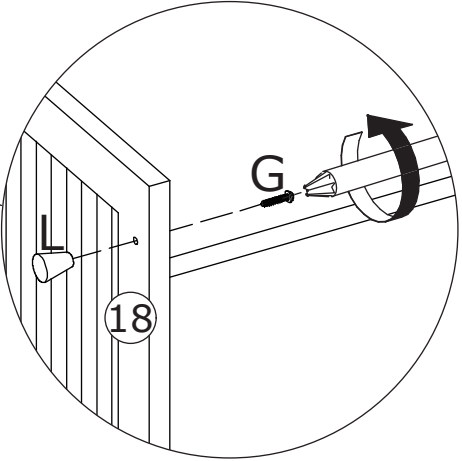
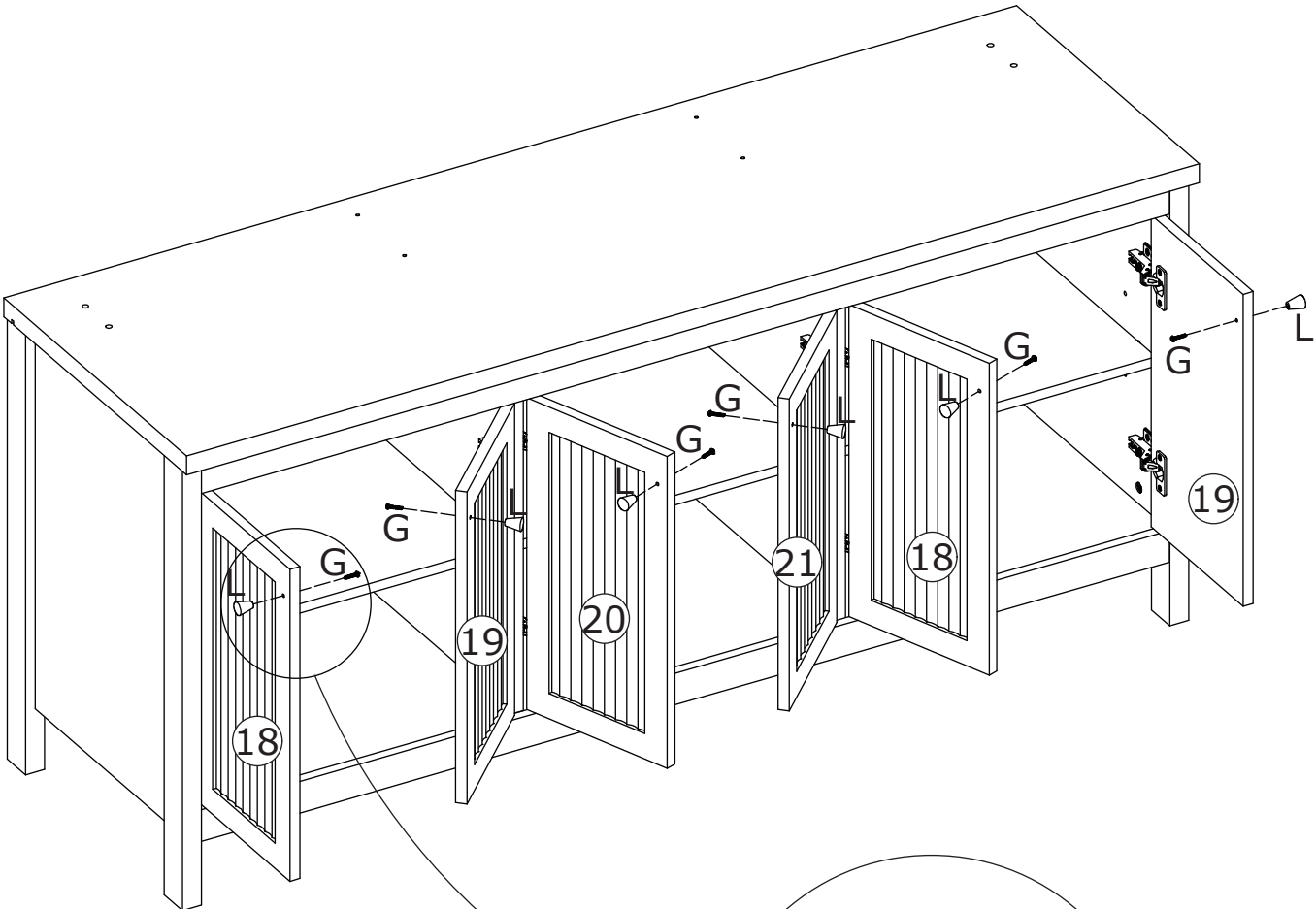
First secure the door hinge (E) to panels 18,19,20 and 21 using screws. Then secure the corresponding door hinge (N) at the door position to panels 8 and 9 using screws.

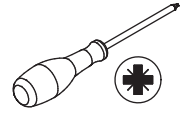


21

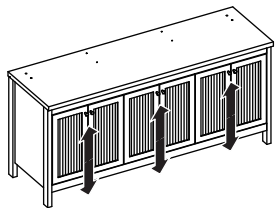
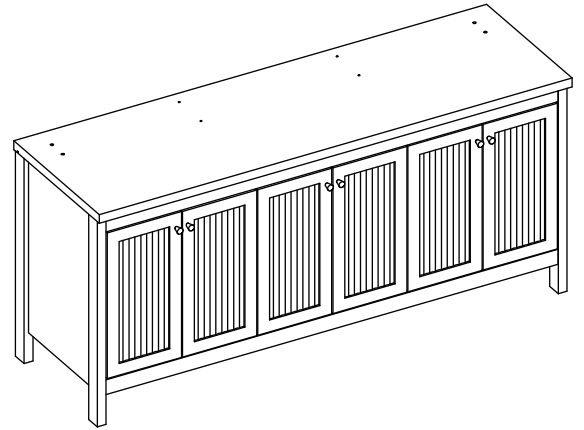


Secure knobs (L) to plates 18, 19, 20 and 21 using screws (G).

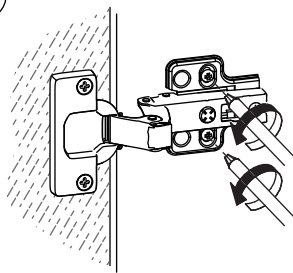




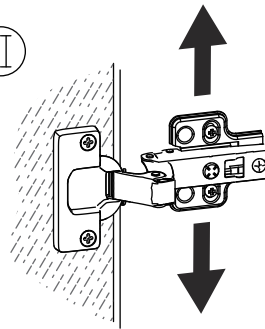
Please adjust the hinges on these doors to line the doors up exactly.



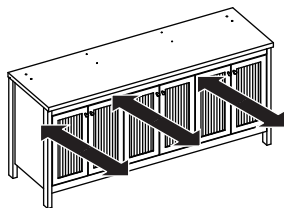
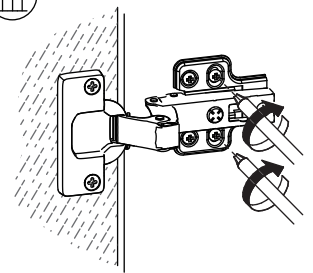
I



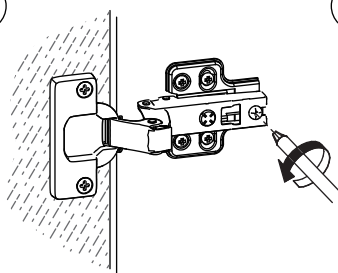
II



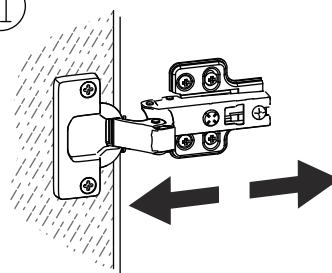
III



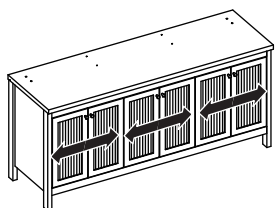
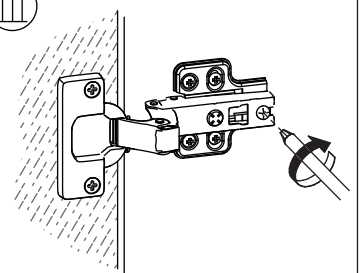
I



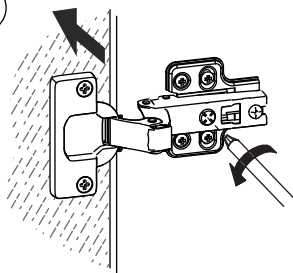
II



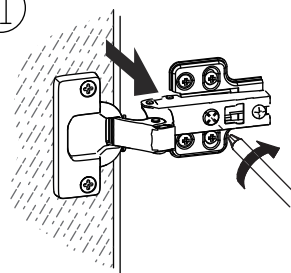
III



I



II



23

J x 10



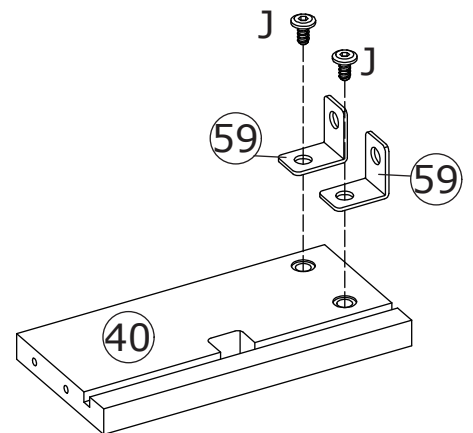
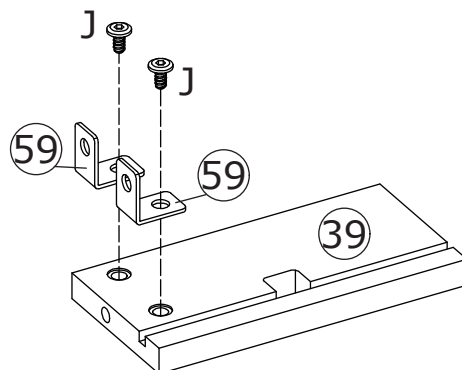
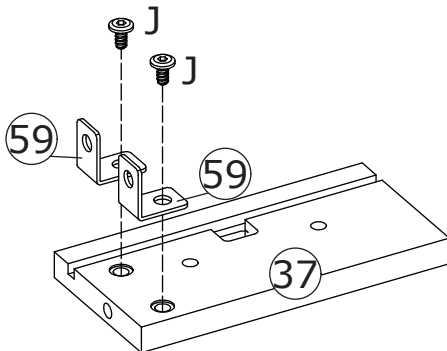
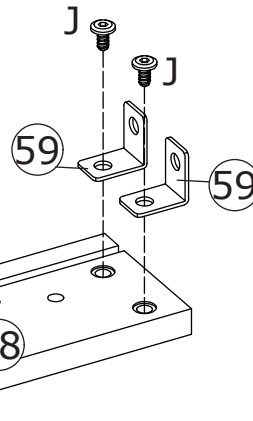
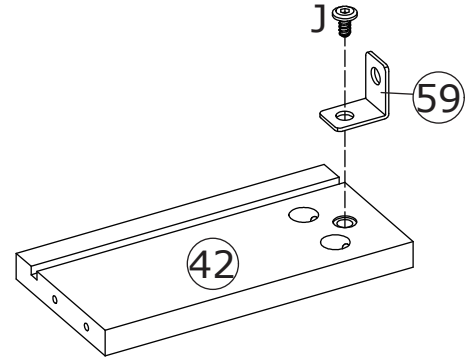
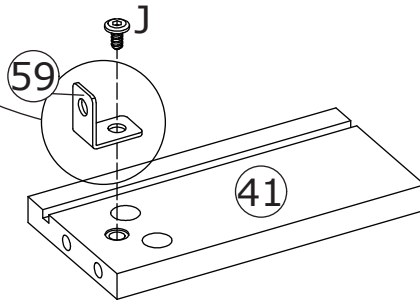
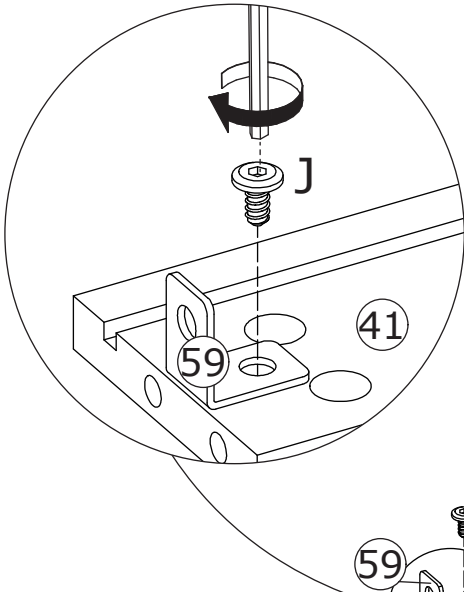
M6 x 12 mm

x 1





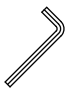
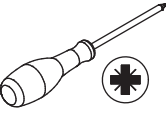


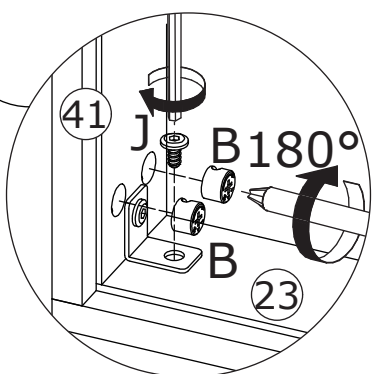
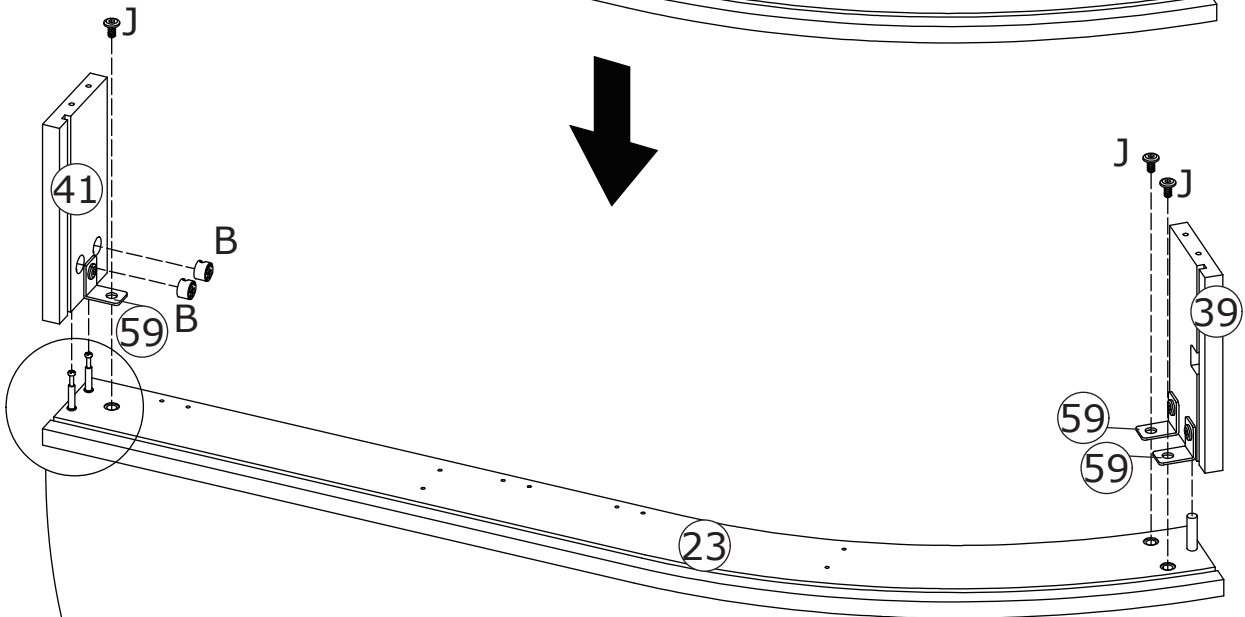
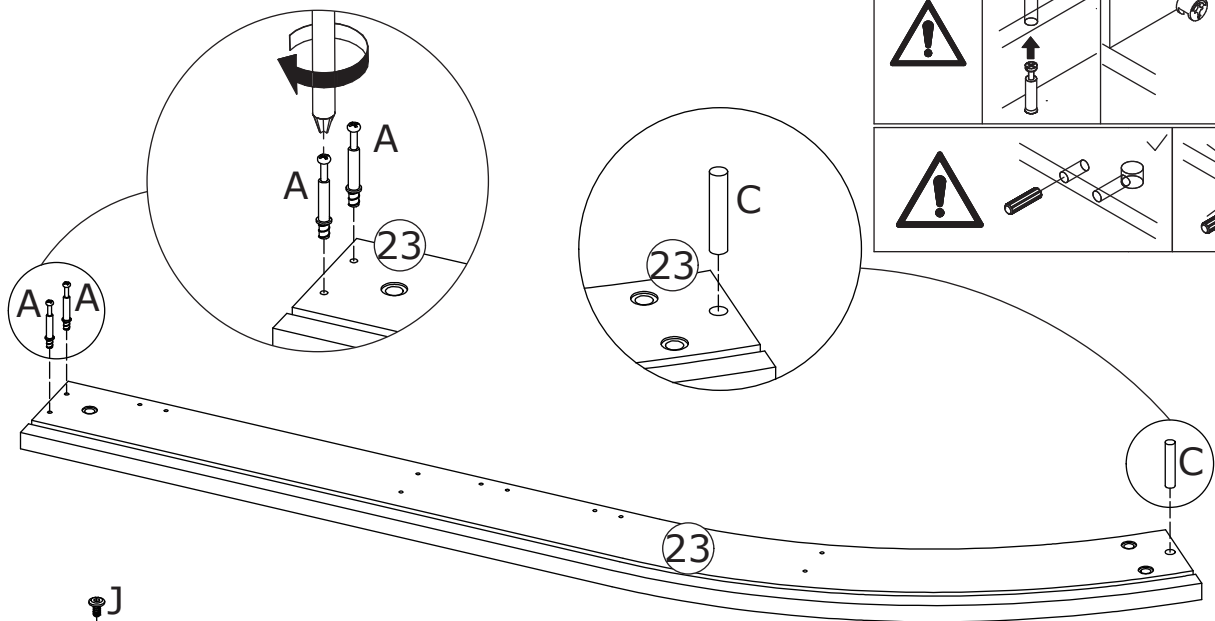
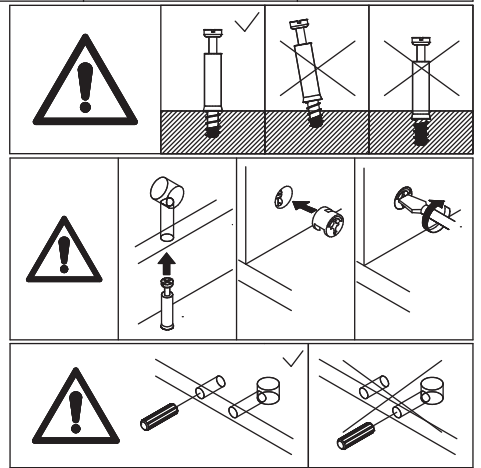
#4

Secure bracket 59 to plates 37, 38, 39, 40, 41 and 42 using screws (J).







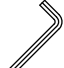
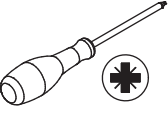
24

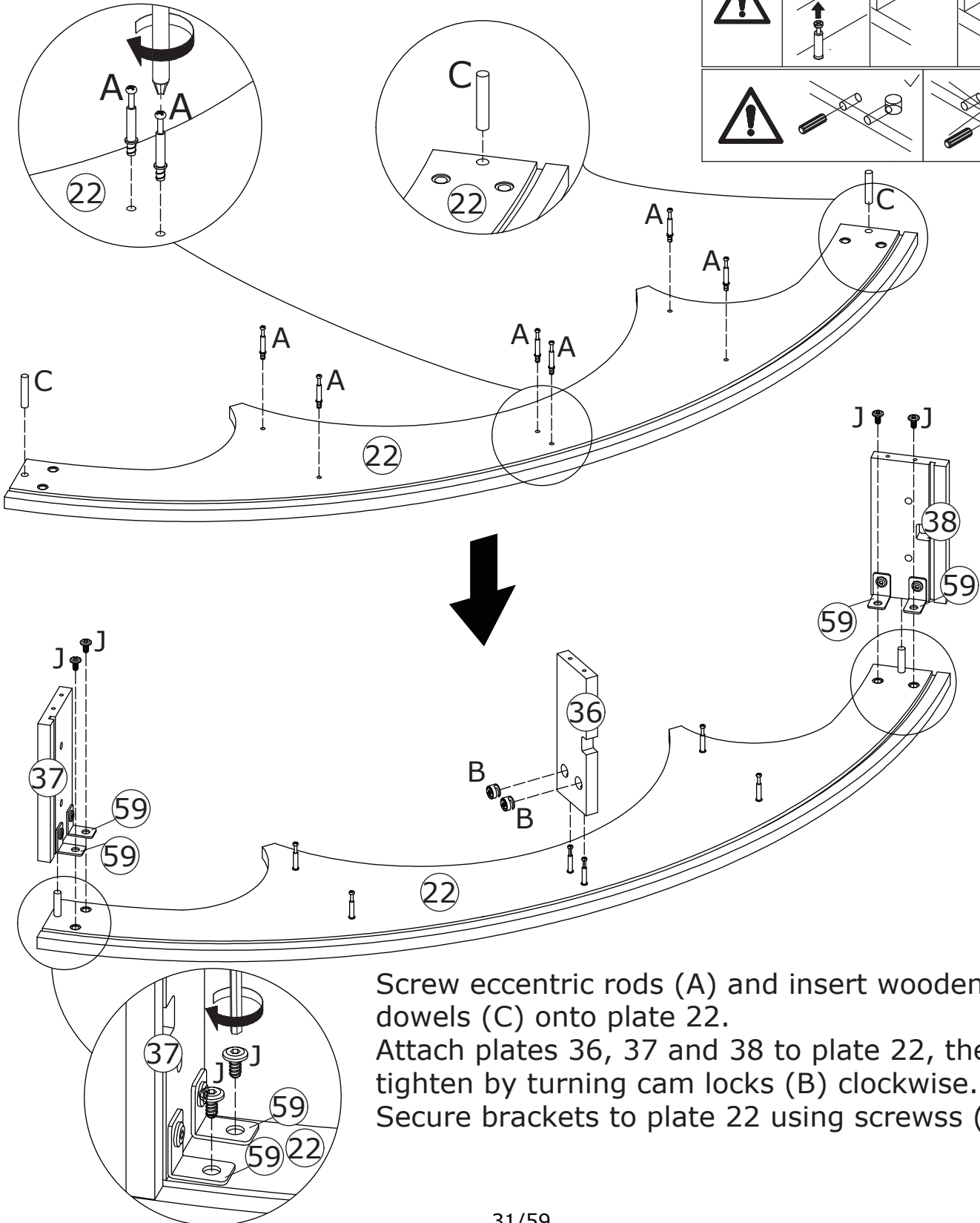
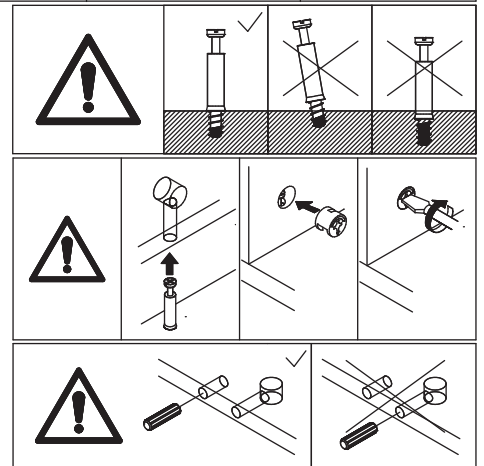
A x 2  M5 x 42 mm	B x 2  Ø15 x 10 mm	C x 1  Ø8 x 40 mm	J x 3  M6 x 12 mm	x 1  #4	
--	---	--	---	--	---



Screw eccentric rods (A) and insert wooden dowel (C) onto plate 23. Attach plates 39 and 41 to plate 23, then tighten by turning cam locks (B) clockwise. Secure brackets to plate 23 using screws (J).





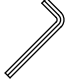
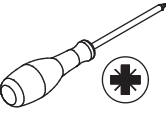
25

<p>A x 6</p>  <p>M5 x 42 mm</p>	<p>B x 2</p>  <p>Ø15 x 10 mm</p>	<p>C x 2</p>  <p>Ø8 x 40 mm</p>	<p>J x 4</p>  <p>M6 x 12 mm</p>	<p>x 1</p>  <p>#4</p>	
--	---	--	---	--	---

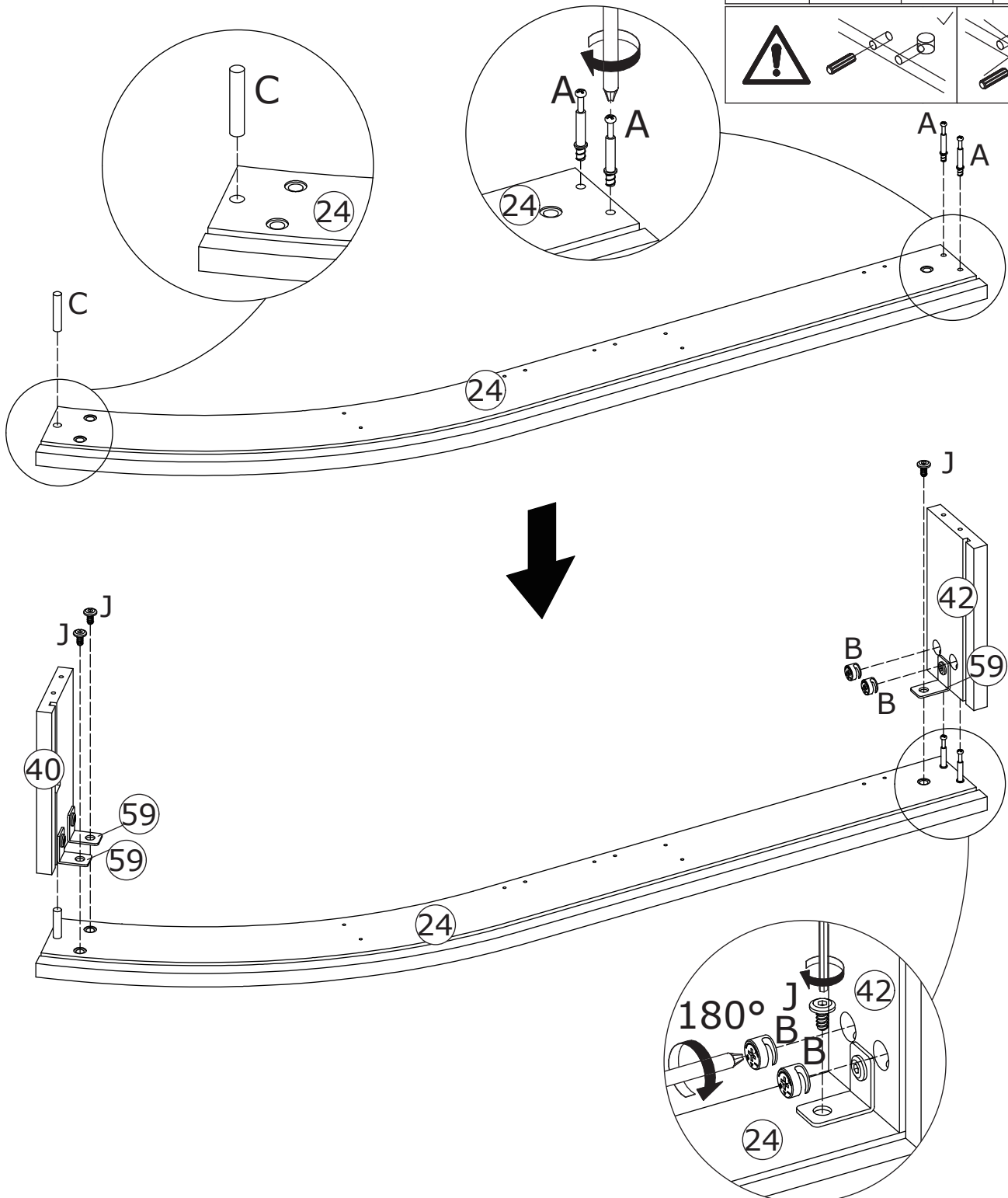
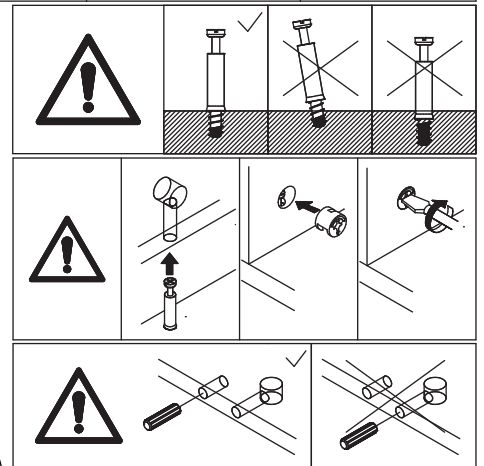


Screw eccentric rods (A) and insert wooden dowels (C) onto plate 22. Attach plates 36, 37 and 38 to plate 22, then tighten by turning cam locks (B) clockwise. Secure brackets to plate 22 using screws (J).

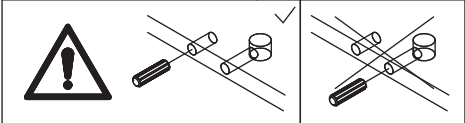
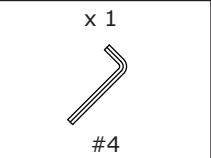
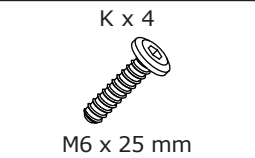
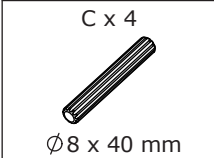
26

A x 2  M5 x 42 mm	B x 2  Ø15 x 10 mm	C x 1  Ø8 x 40 mm	J x 3  M6 x 12 mm	x 1  #4	
--	---	--	---	--	---

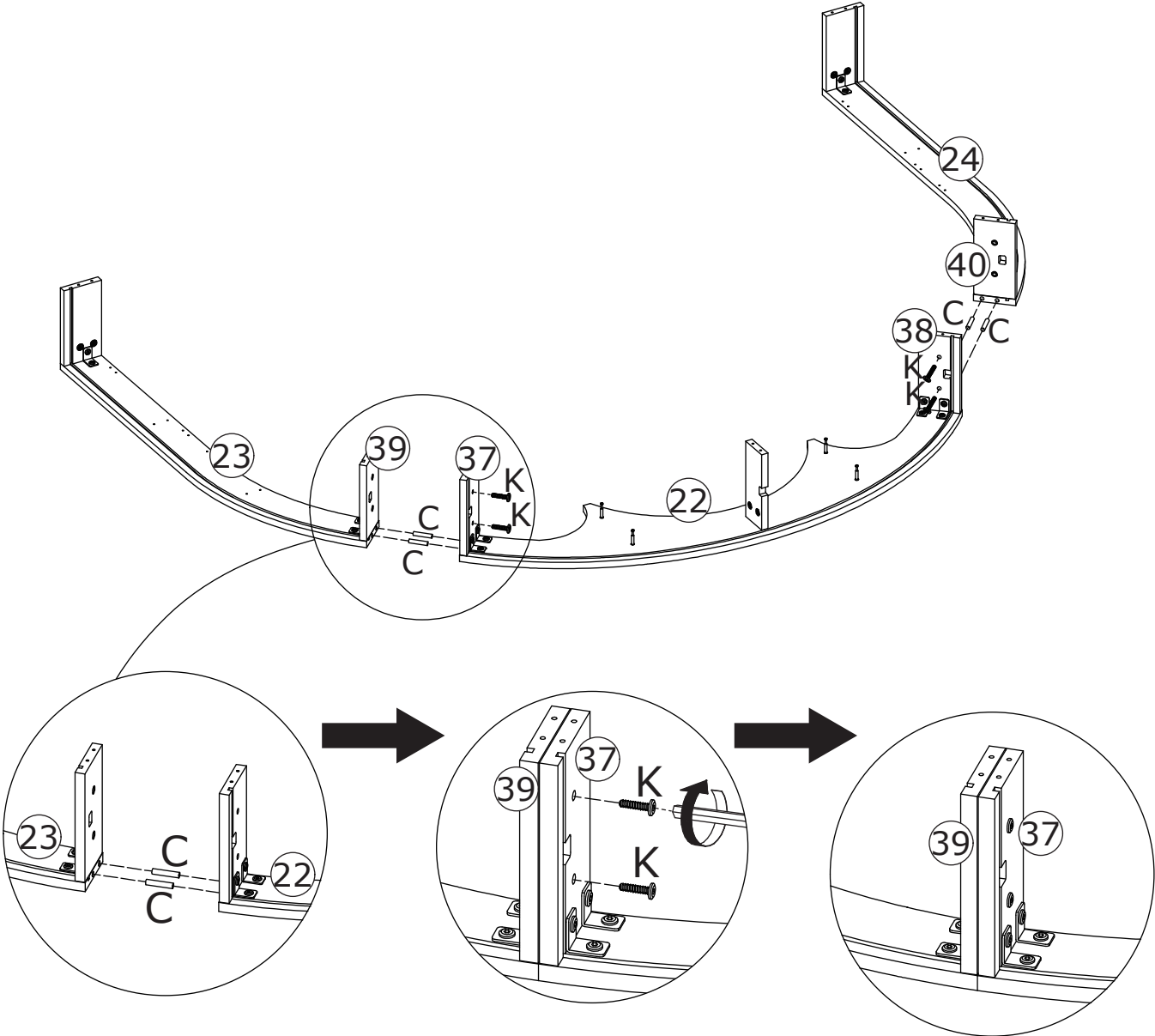
Screw eccentric rods (A) and insert wooden dowel (C) onto plate 24.
Attach plates 40 and 42 to plate 24, then tighten by turning cam locks (B) clockwise.
Secure brackets to plate 24 using screws (J).



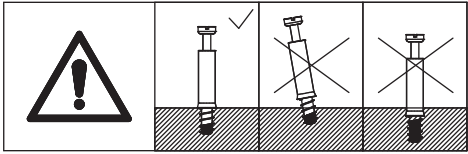
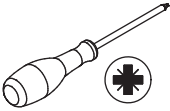
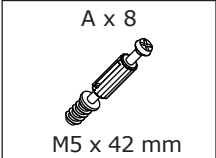
27



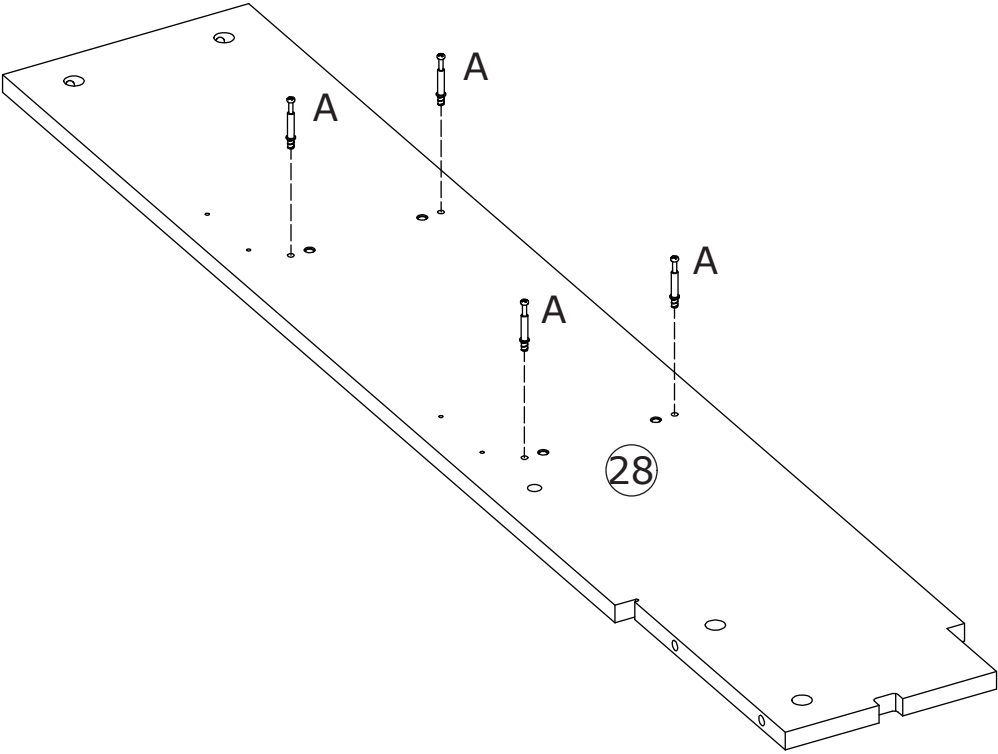
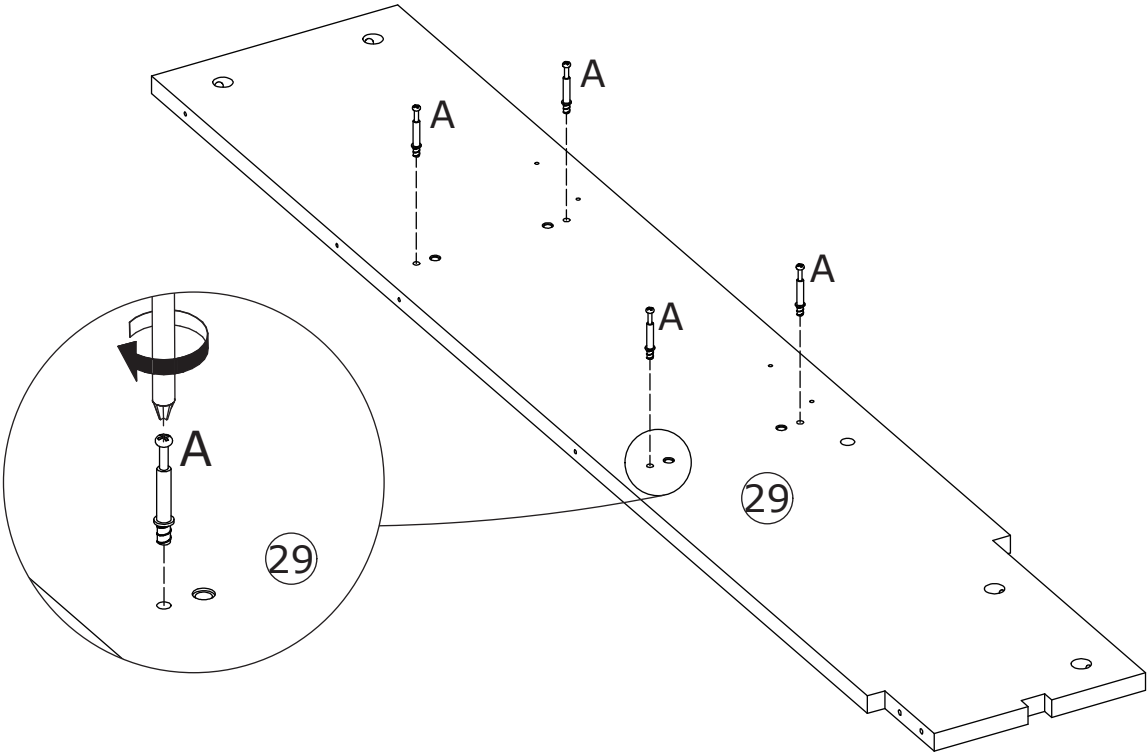
Connect plates 24, 22 and 23 using wooden dowels (C).
Secure plate 37 to plate 39, plate 38 to plate 40 using screws (K).



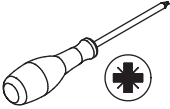
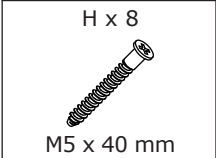
28



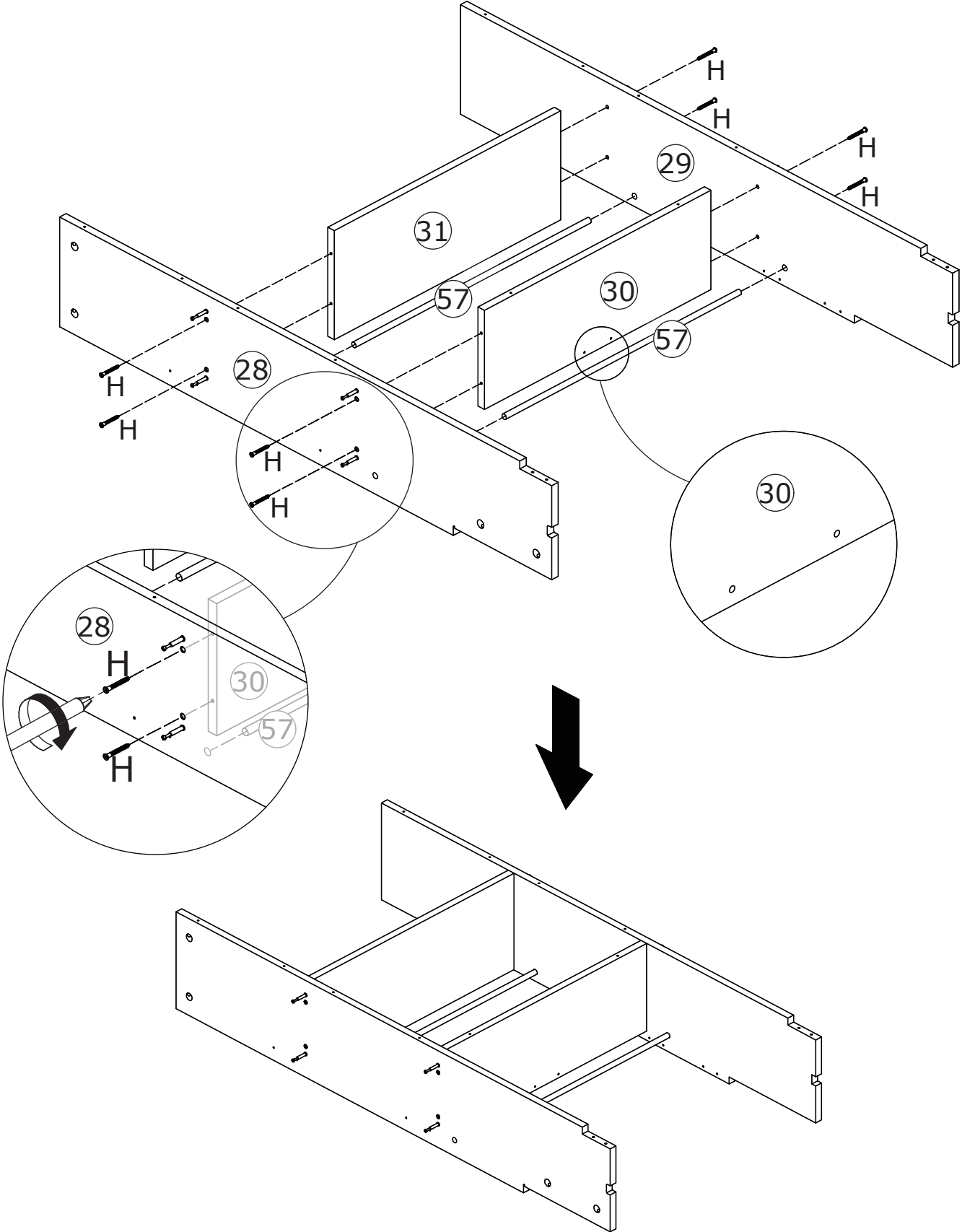
Screw eccentric rods (A) onto plates 28 and 29.



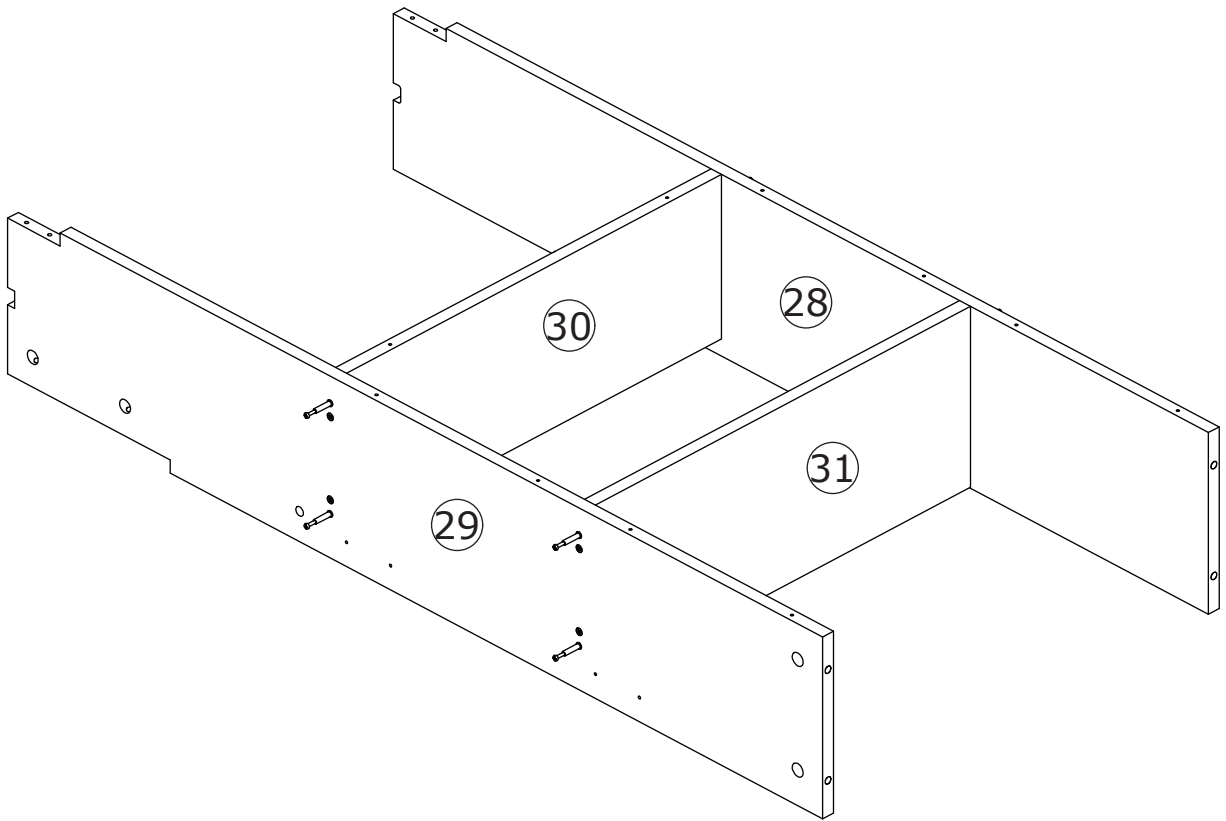
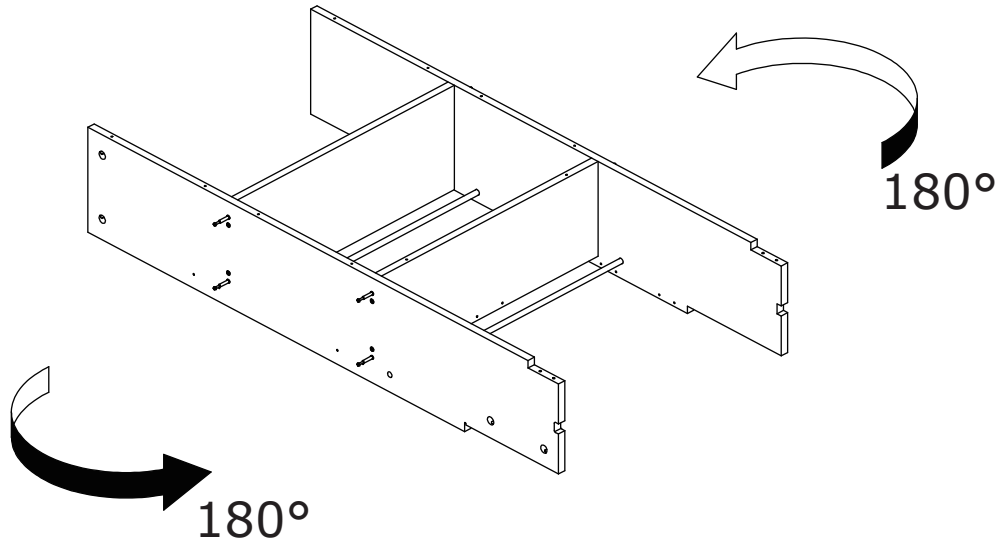
29



Connect plates 30, 31 and rod 57 to plates 28 and 29, and secure using screws (H).



30



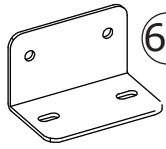
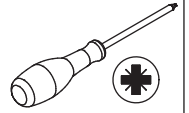
31

E x 12



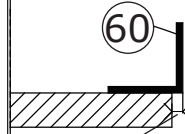
M3.5 x 14 mm

T x 2



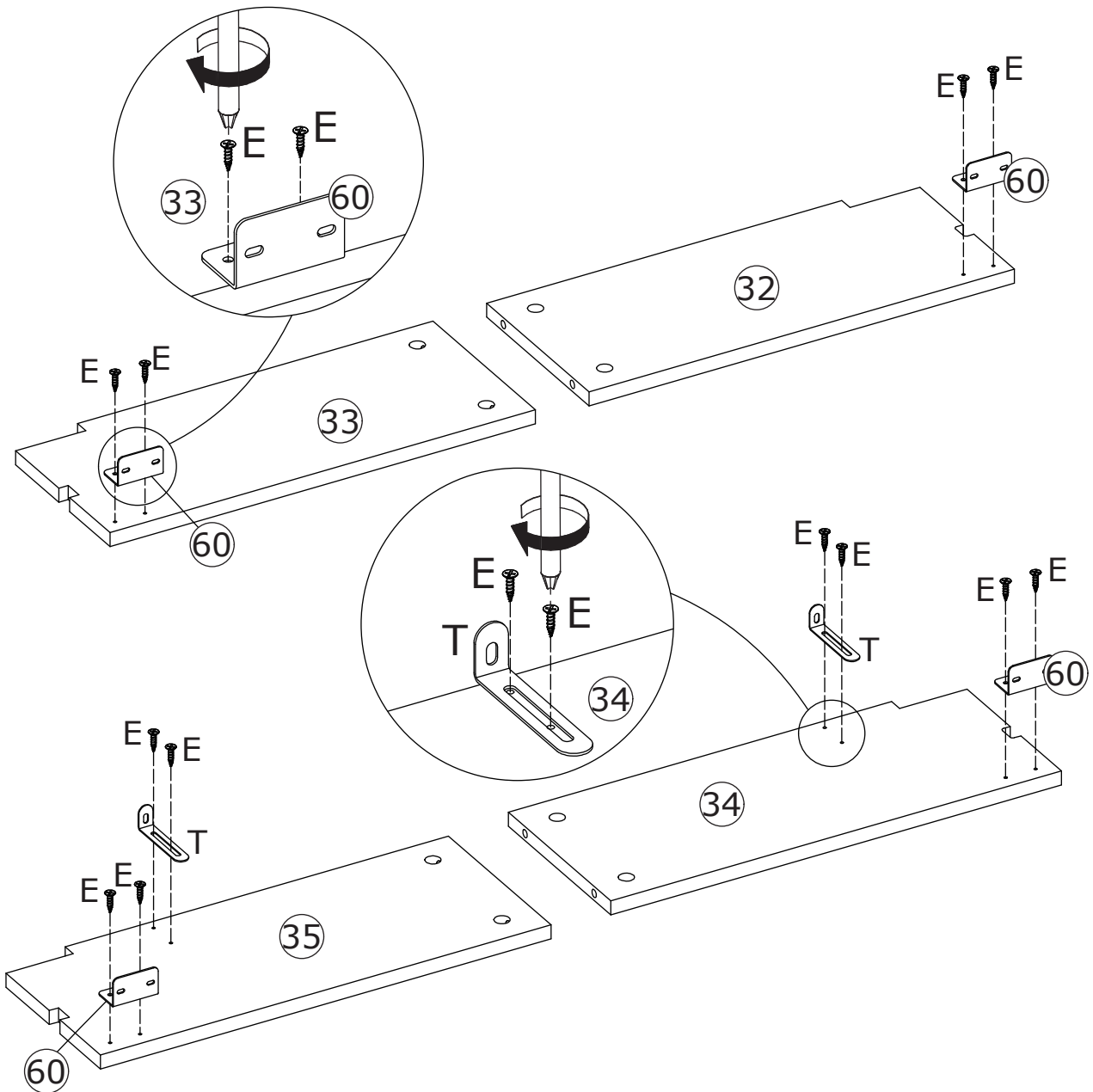
60

Please note that the hole shape of bracket 60 is different. Please assemble strictly according to the manual.



4~5mm

Note: After installing bracket 60, it will protrude approximately 4-5 mm beyond the edge of the plate.



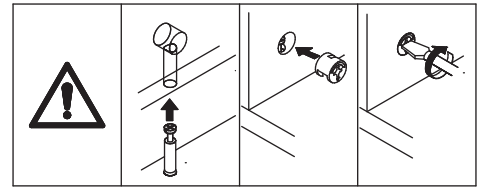
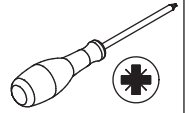
Secure brackets 60 and anti-dumping fittings (T) to plates 32, 33, 34 and 35 using screws (E).

32

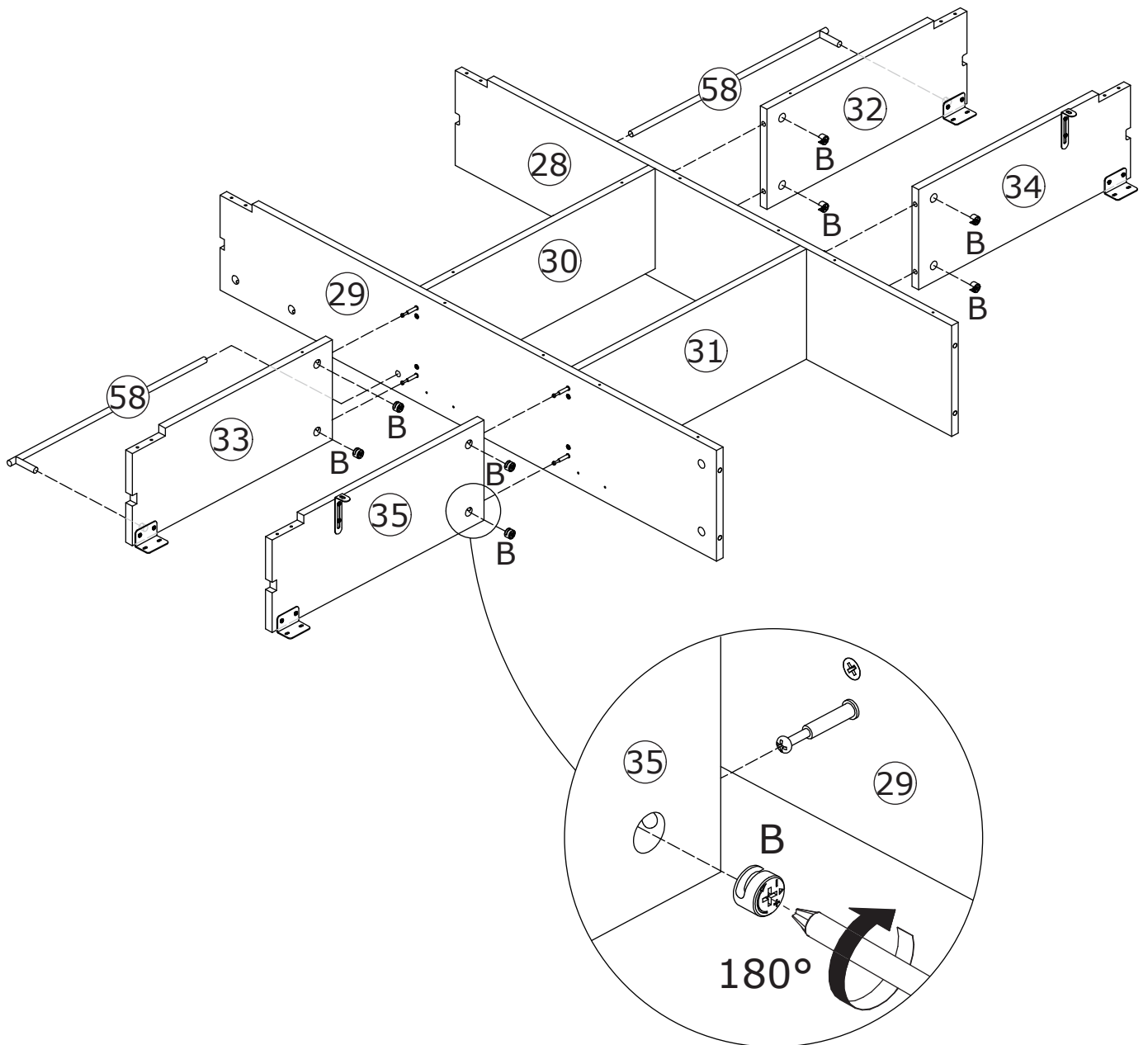
B x 8



Ø15 x 10 mm



First insert rod 58 onto plates 32 and 28.
Then connect plates 32, 34 to plate 28, plates 33, 35 to plate 29,
then tighten by turning cam locks (B) clockwise.



33

B x 4

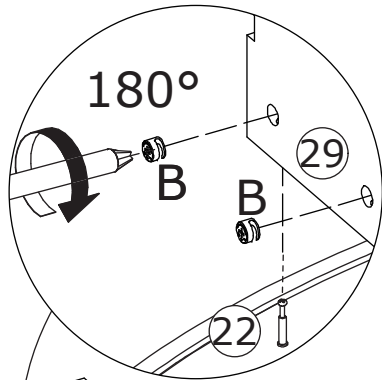
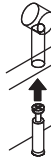
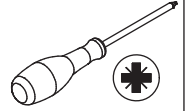


Ø15 x 10 mm

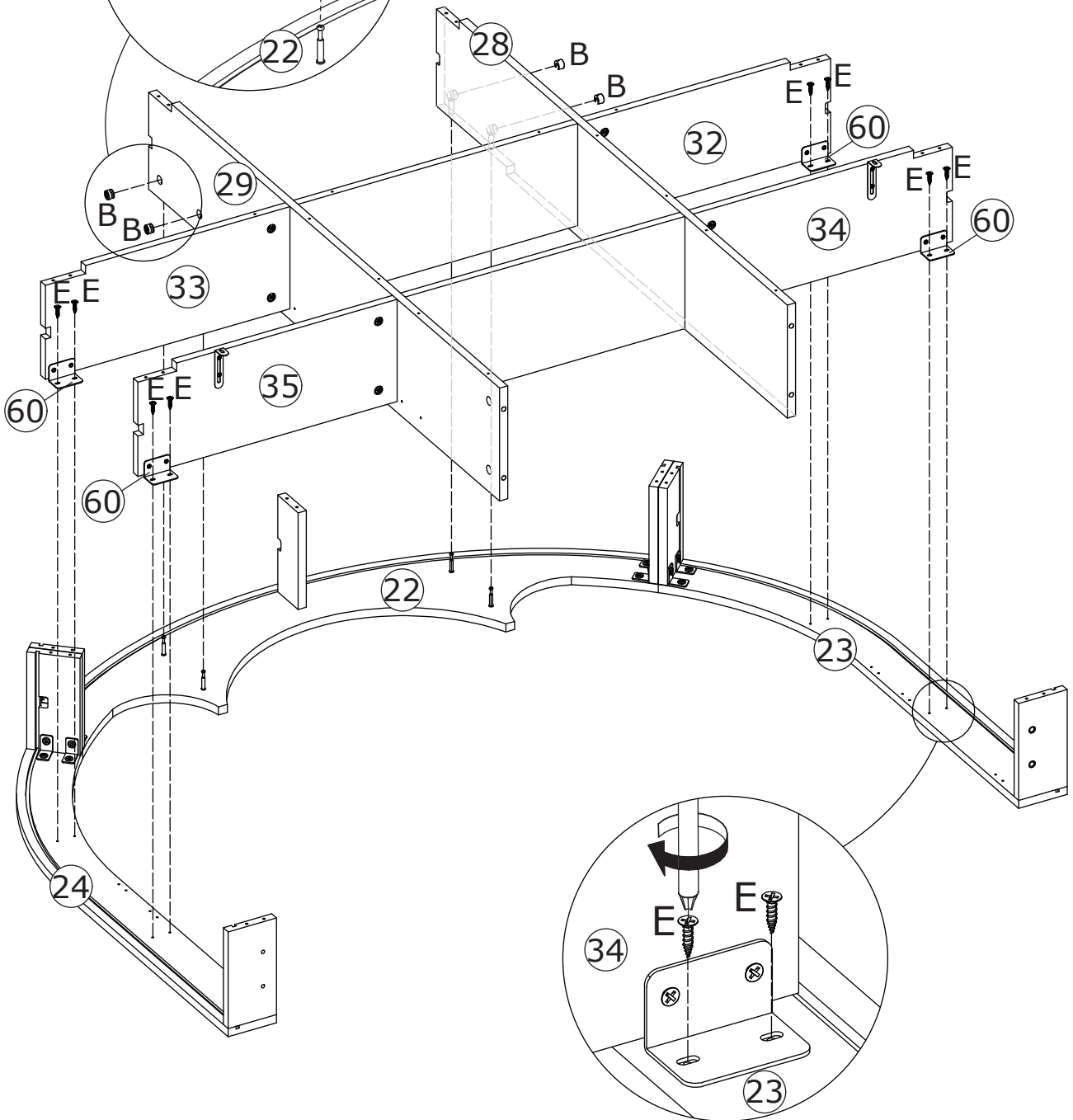
E x 8



M3.5 x 14 mm

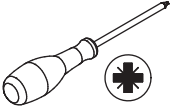


Connect the component to plates 22, 23 and 24, then tighten by turning cam locks (B) clockwise.

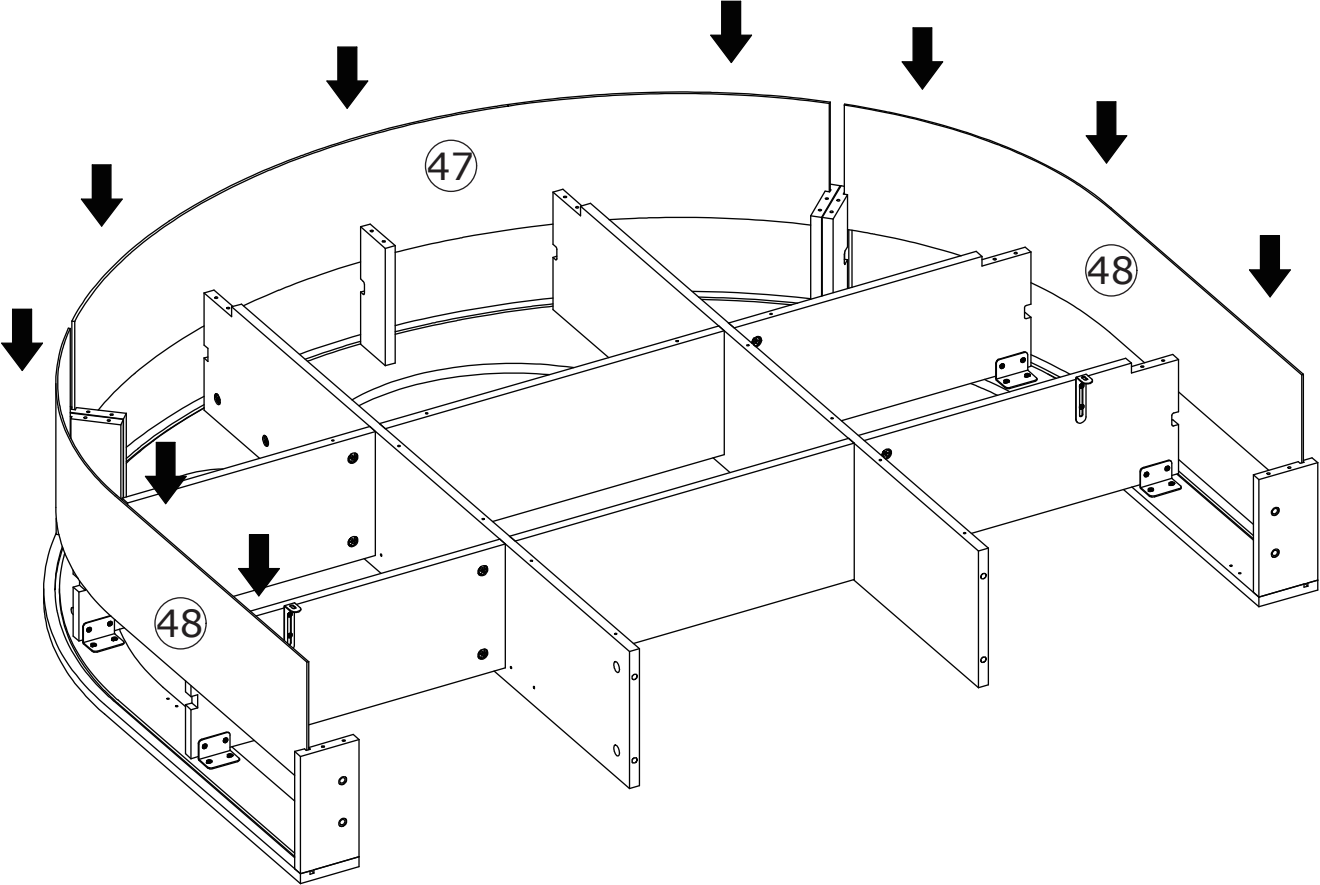


Secure brackets to plates 23 and 24 using screws (E).

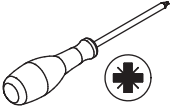
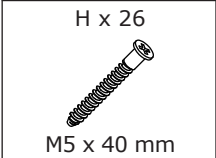
34



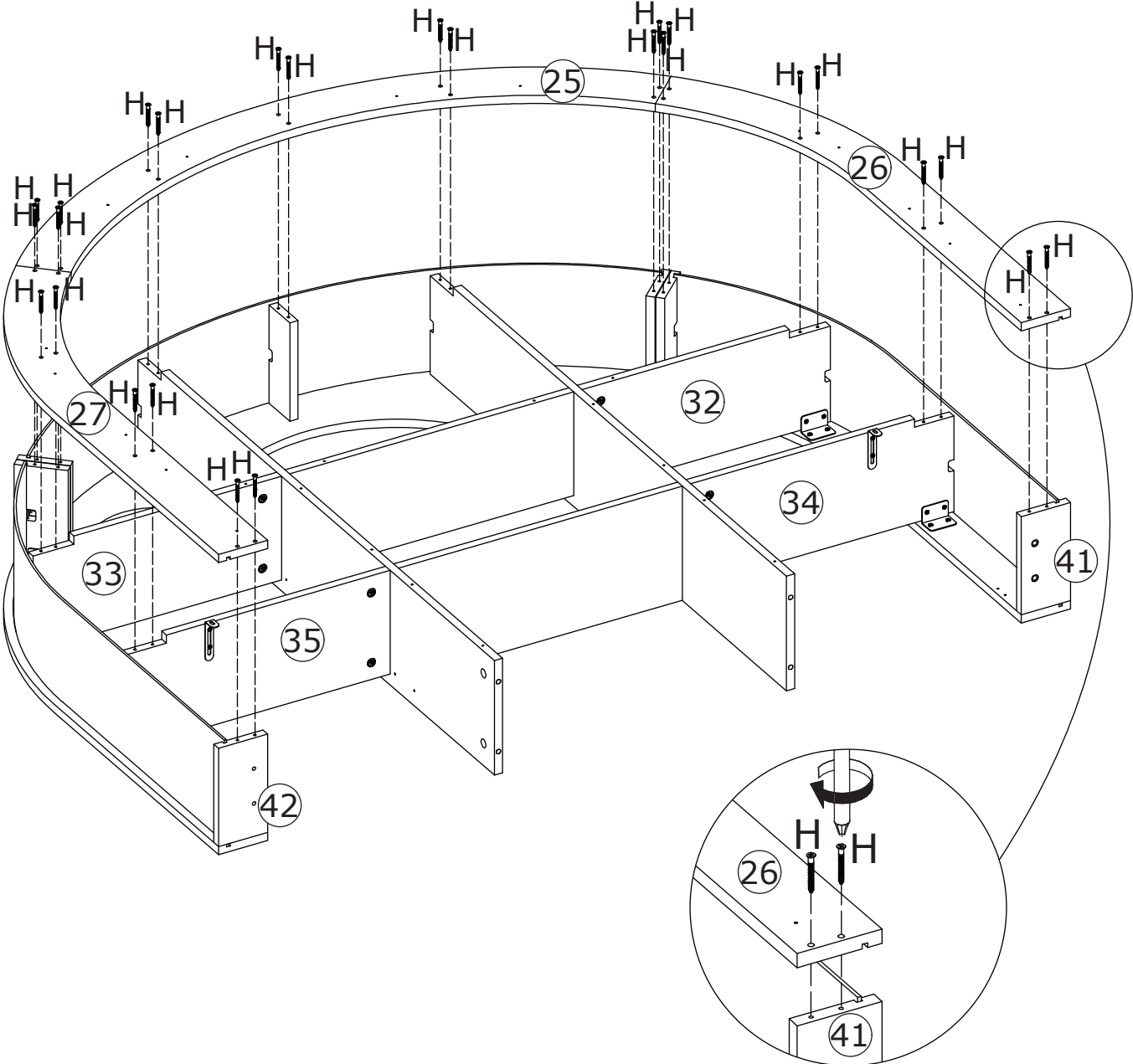
Insert plates 47 and 48 into the available slots.



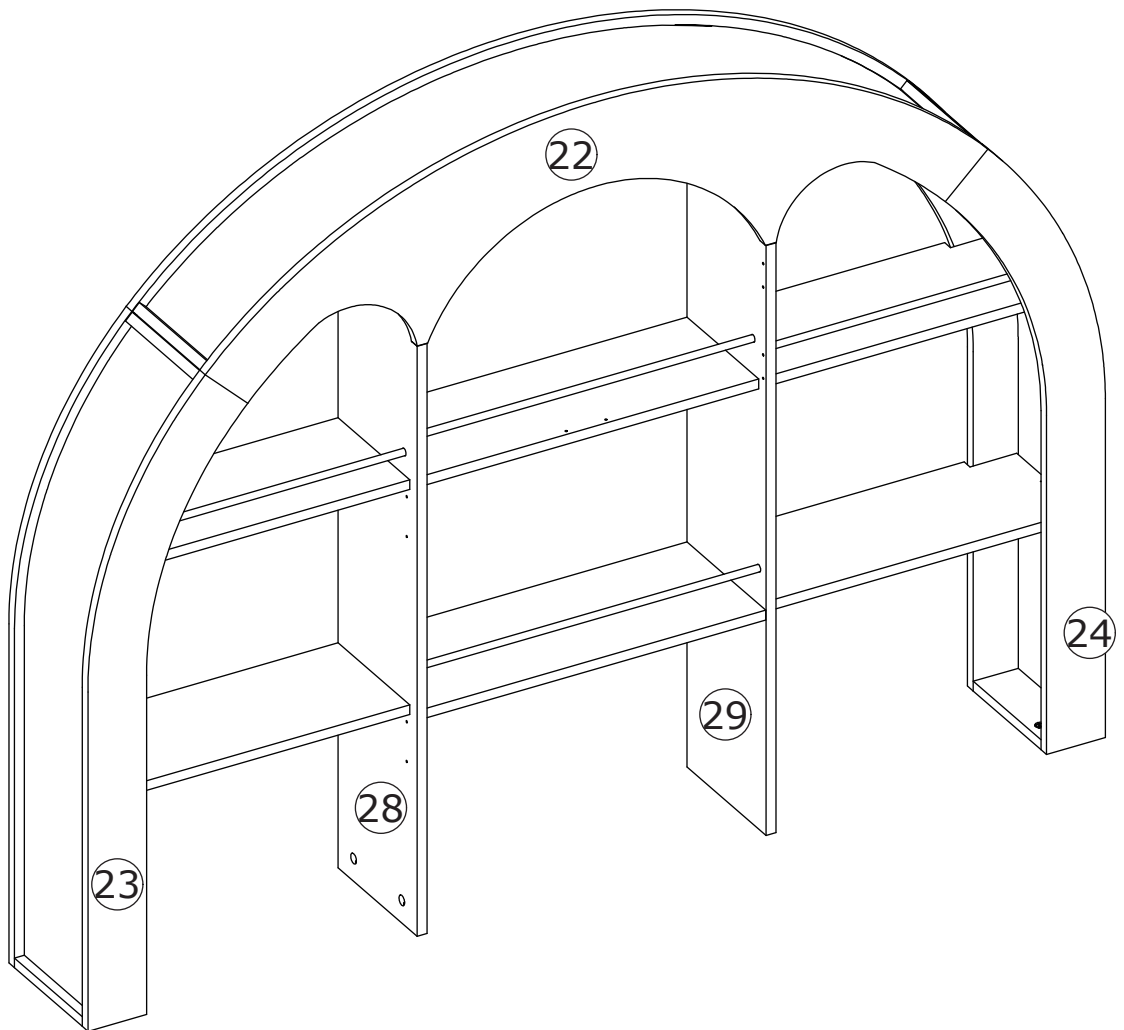
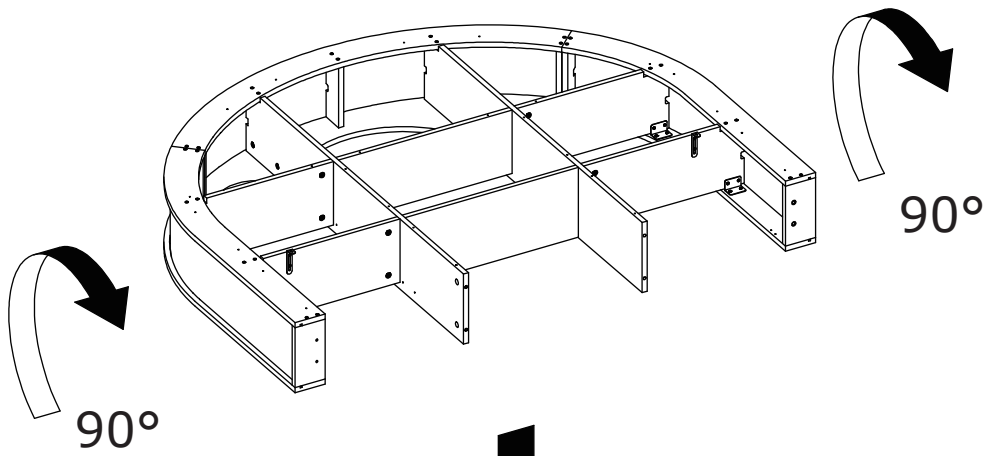
35



Secure plates 25, 26 and 27 to the component using screws (H).

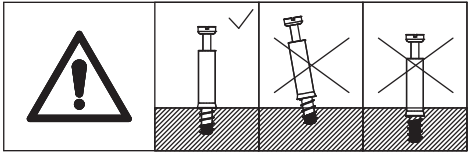
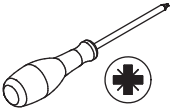


36

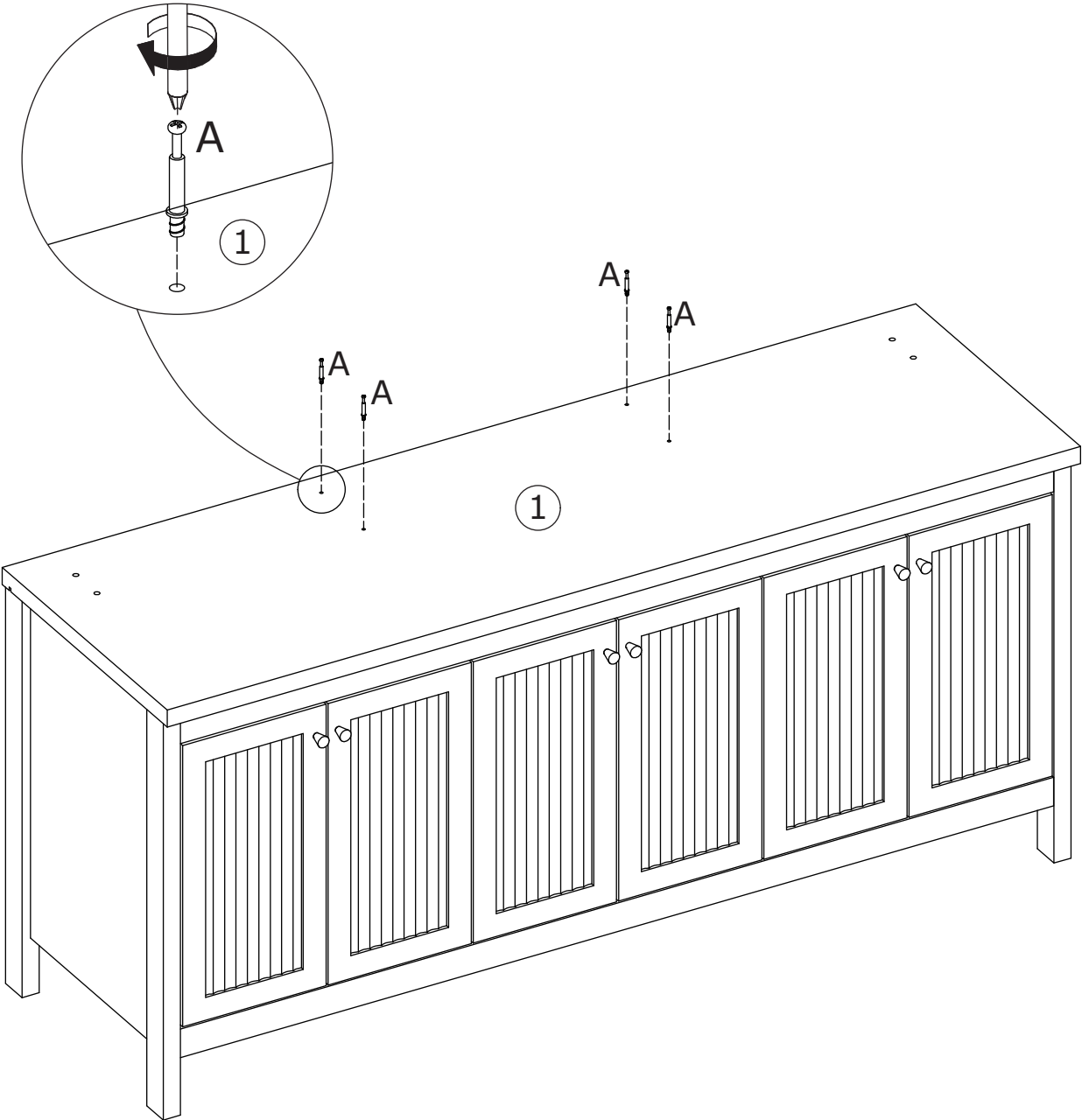


37

A x 4
M5 x 42 mm



Screw eccentric rods (A) onto plate 1.



38

B x 4



Ø15 x 10 mm

K x 4

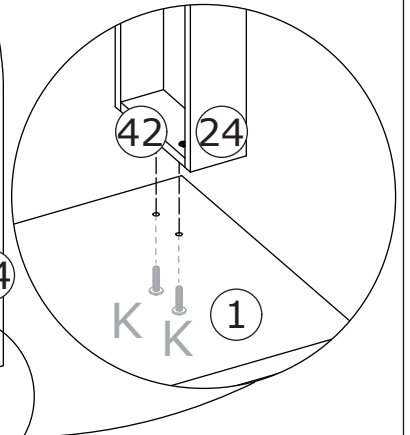
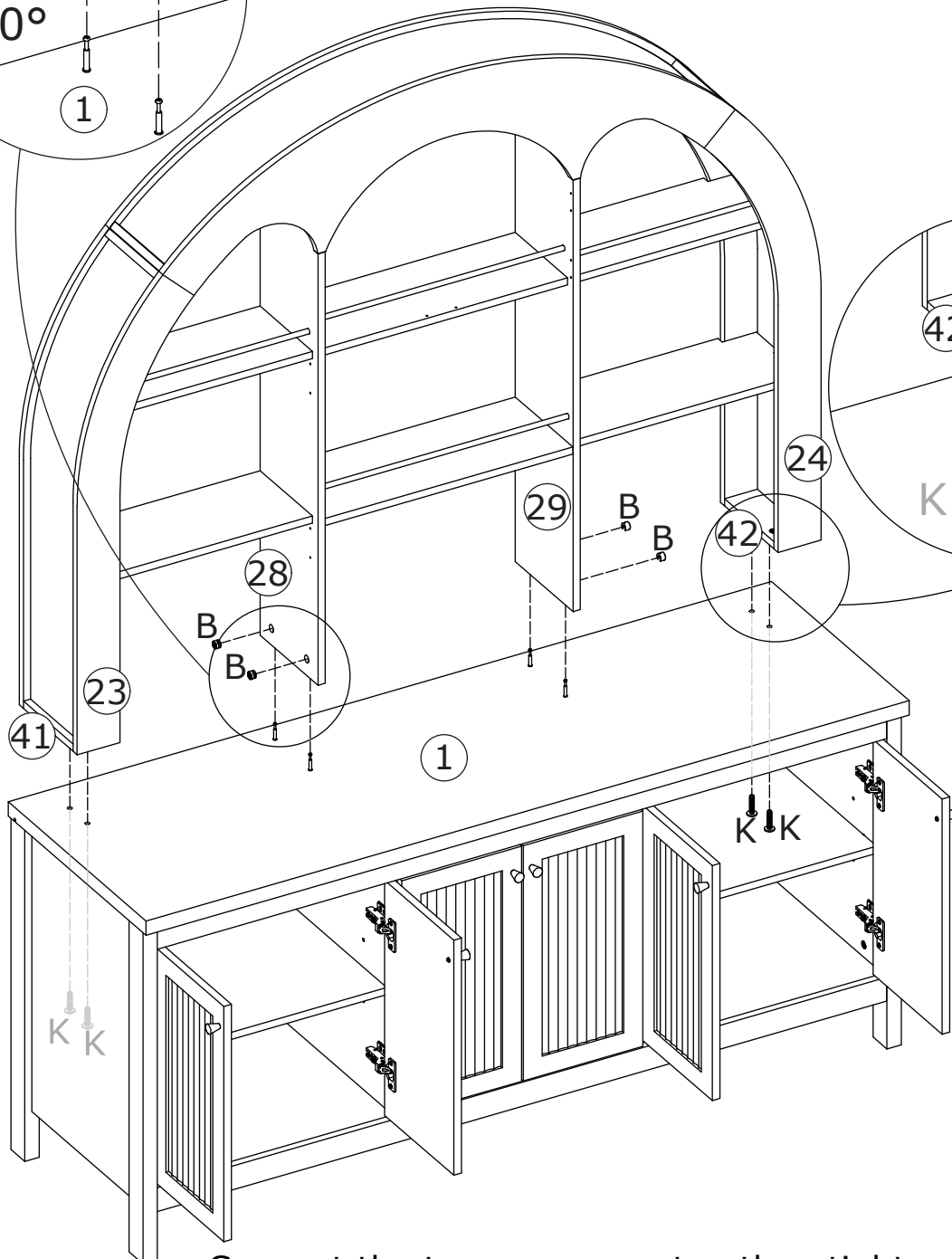
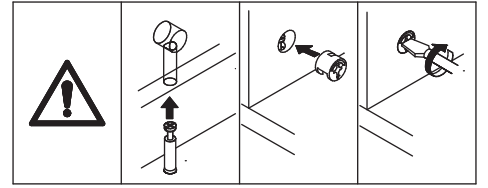
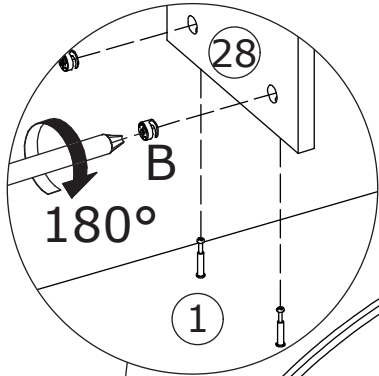
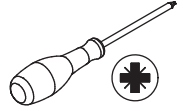


M6 x 25 mm

x 1



#4



Connect the two components , then tighten by turning cam locks (B) clockwise.
Secure plates 41 and 42 to plate 1 using screws (K).

39

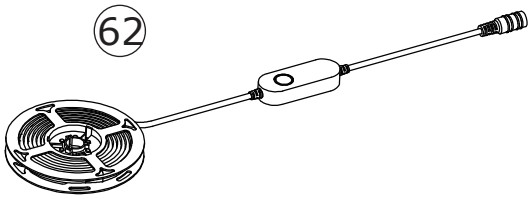
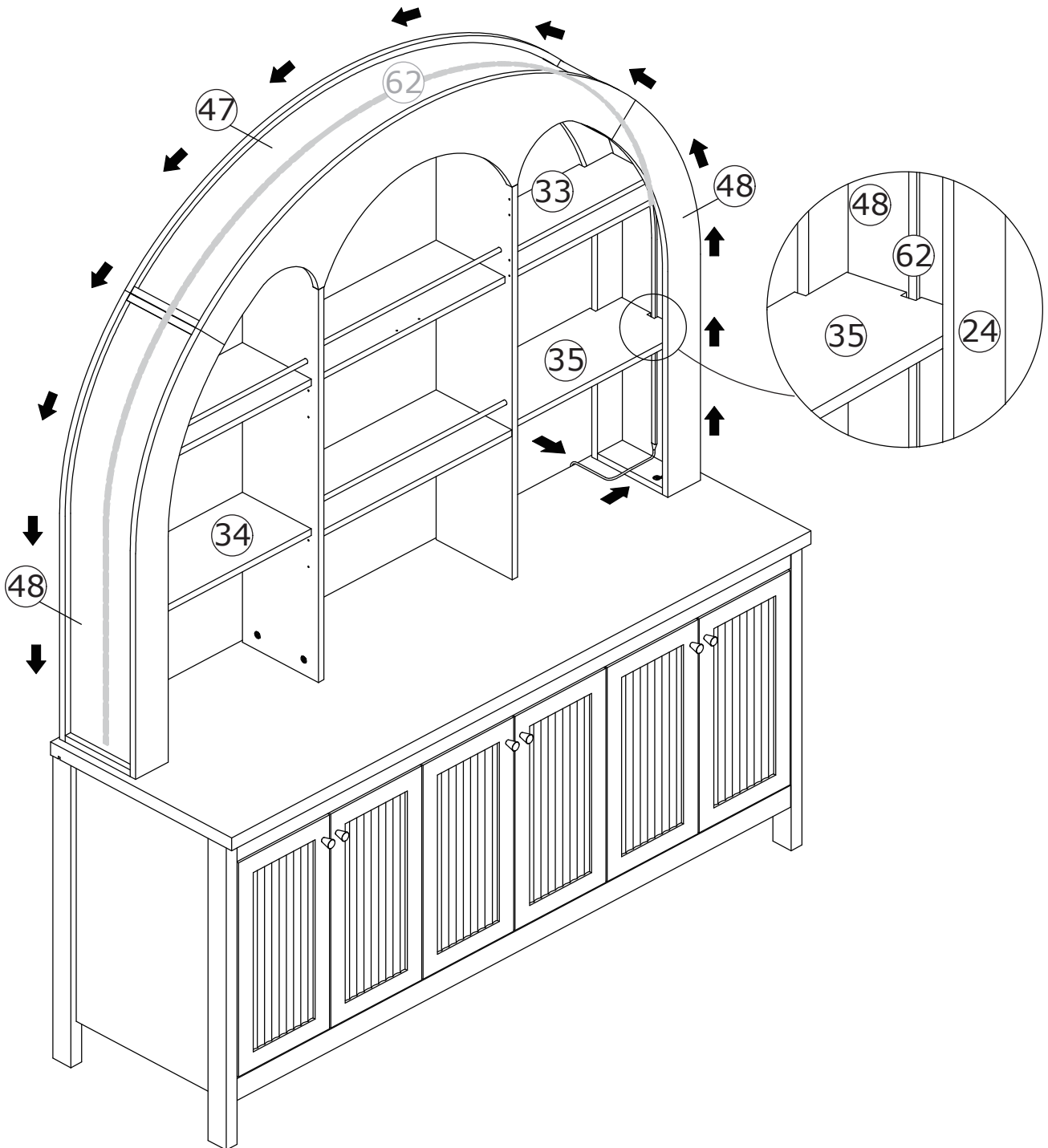
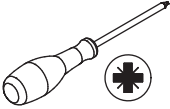
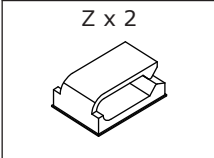


Illustration: First, thread the light strip through the gap on the plate in the direction indicated by the arrow and wrap it around once.

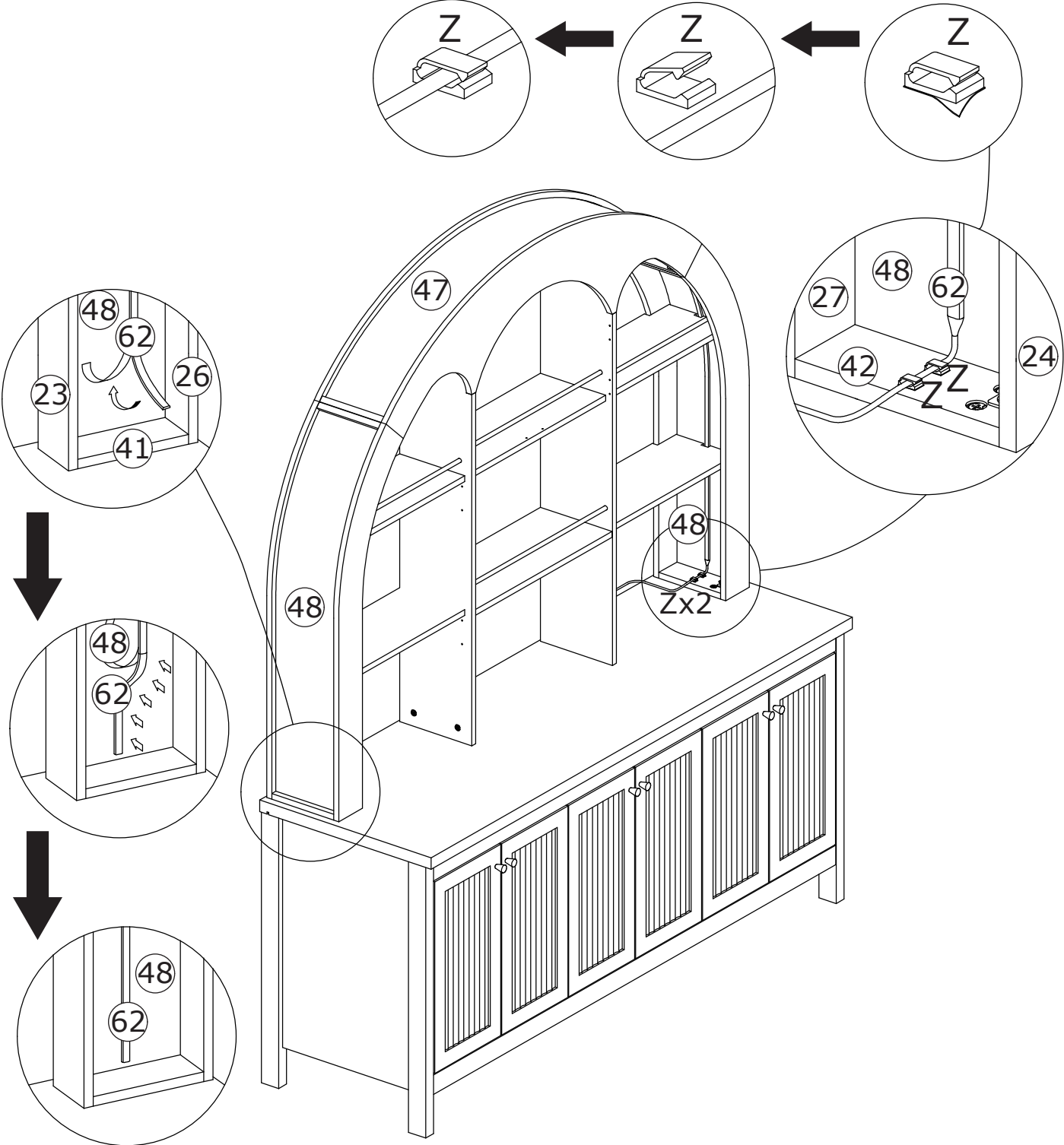


40



First peel off a section of the adhesive backing, then apply it to plates 47 and 48. Press firmly while waiting for the adhesive to set.

Secure the light strip using buckles (Z).



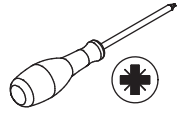
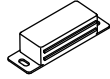
41

D x 10

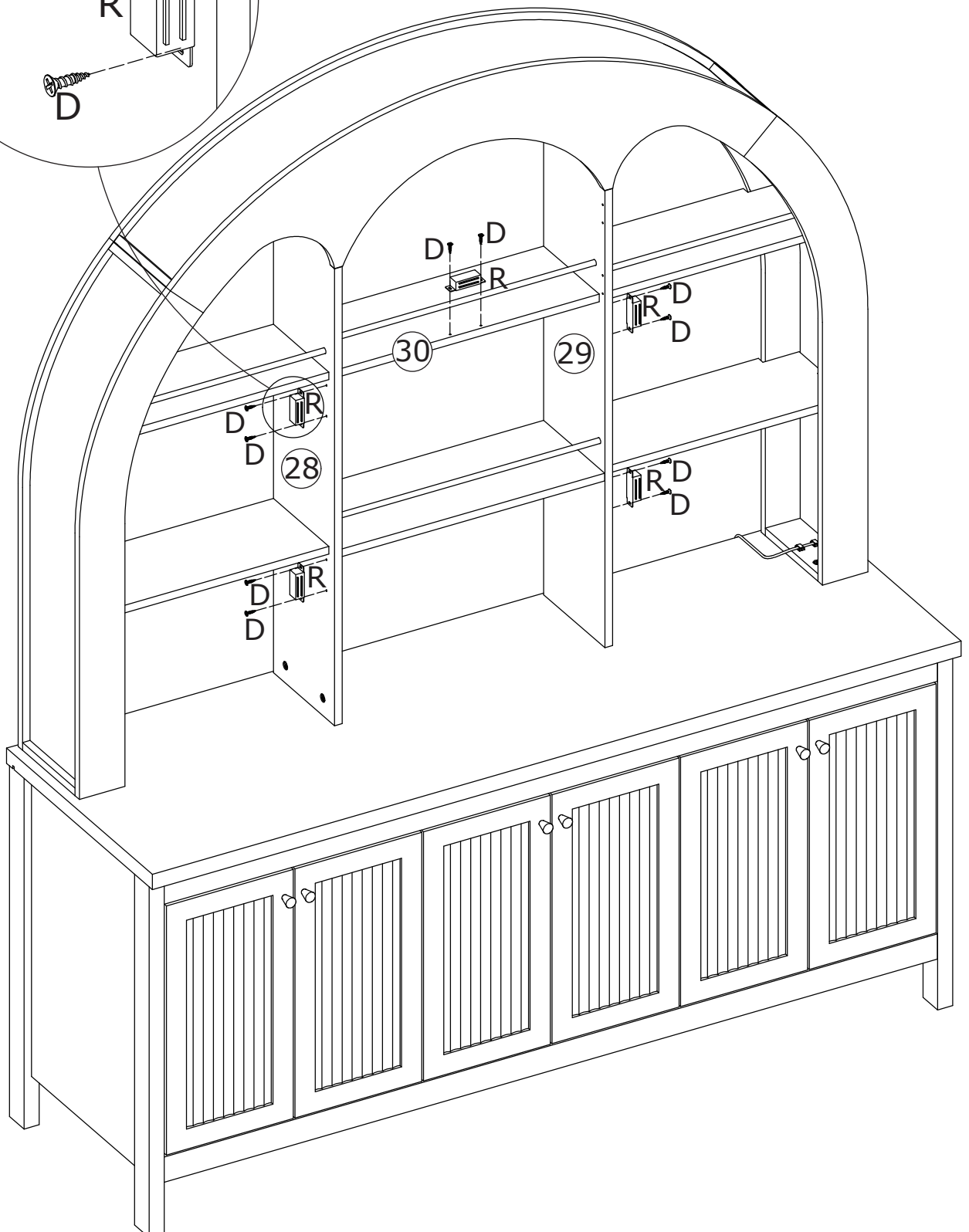
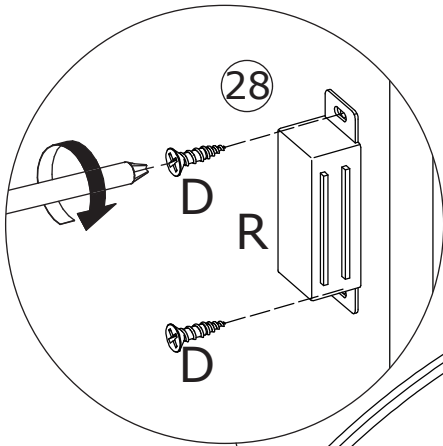


M3 x 12 mm

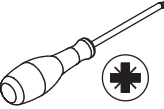
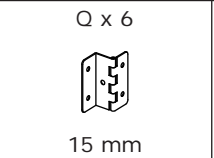
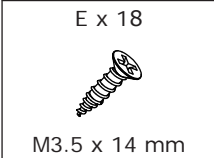
R x 5



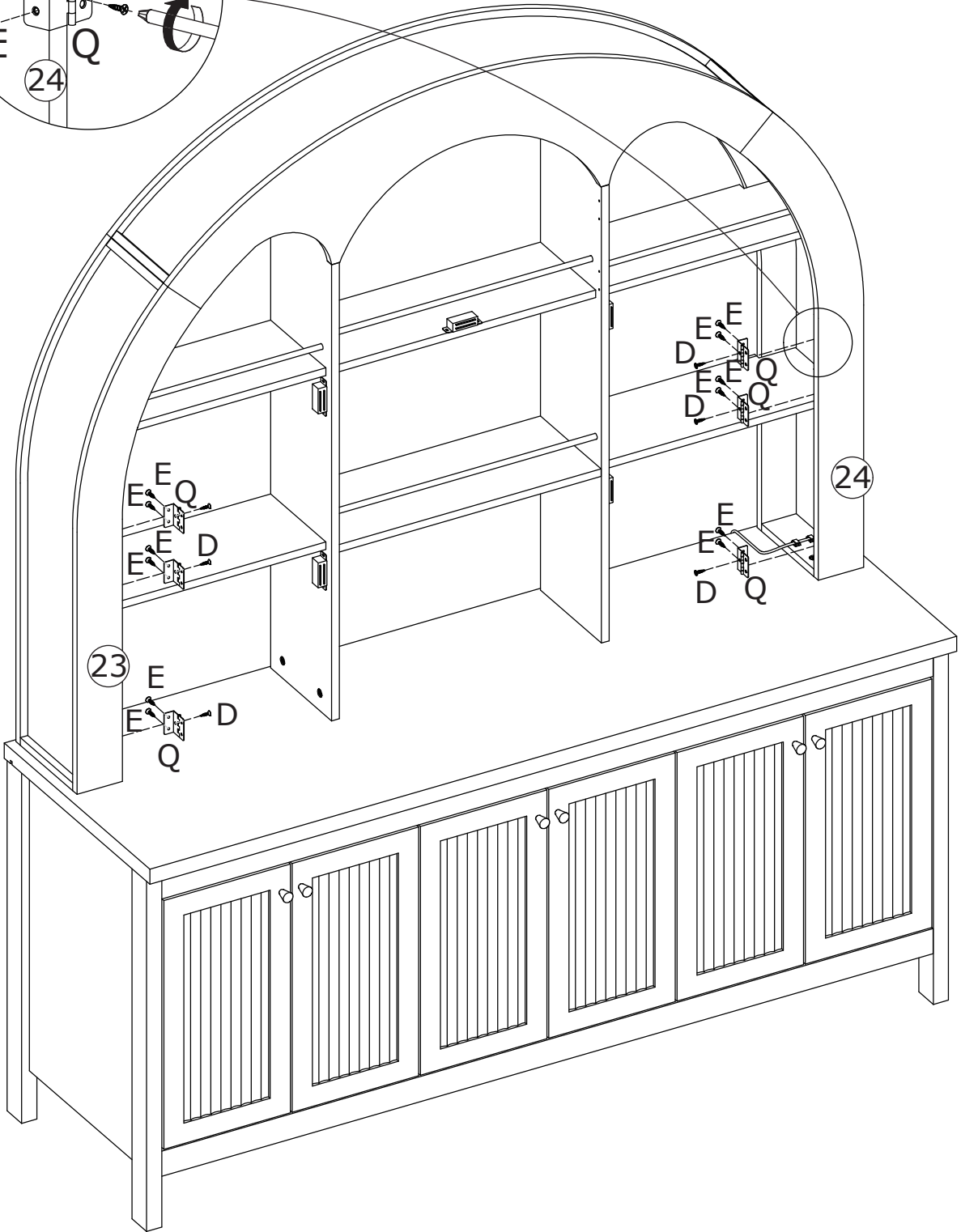
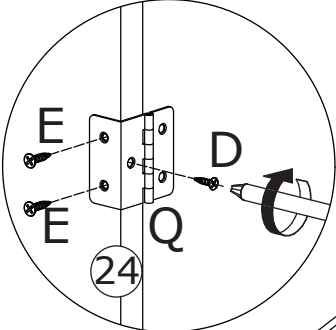
Secure magnet (R) to plates 28 and 29 using screws (D).



42



Secure hinges (Q) to plates 23 and 24 using screws (E) and screws (D).



43

W x 10

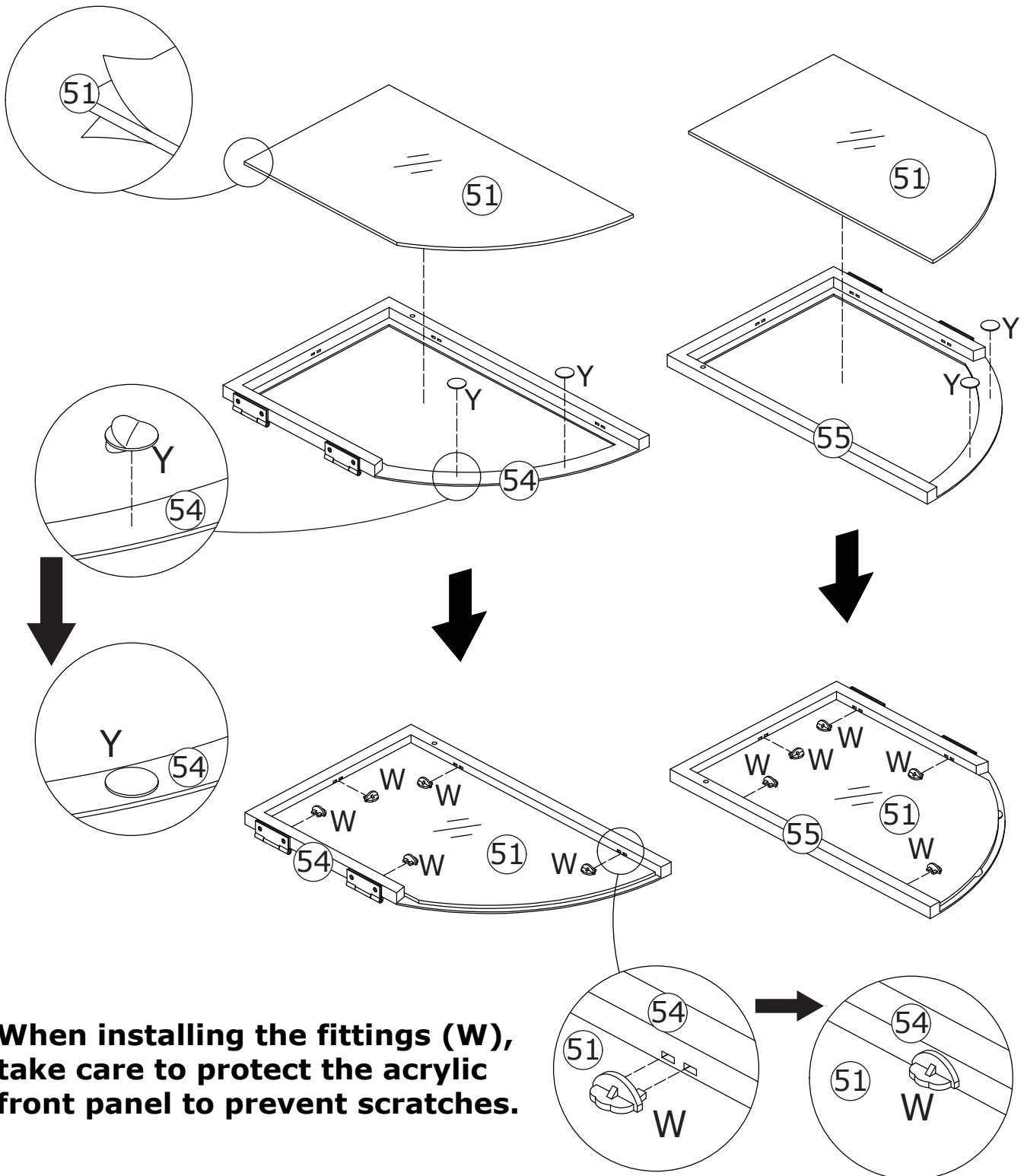


Y x 4



Note: Before installing the acrylic panels, remove the protective film from both sides.

First install fitting (Y) onto parts 54 and 55. Then mount acrylic plate 51 onto, securing to parts 54 and 55 with fittings (W).



When installing the fittings (W), take care to protect the acrylic front panel to prevent scratches.

44

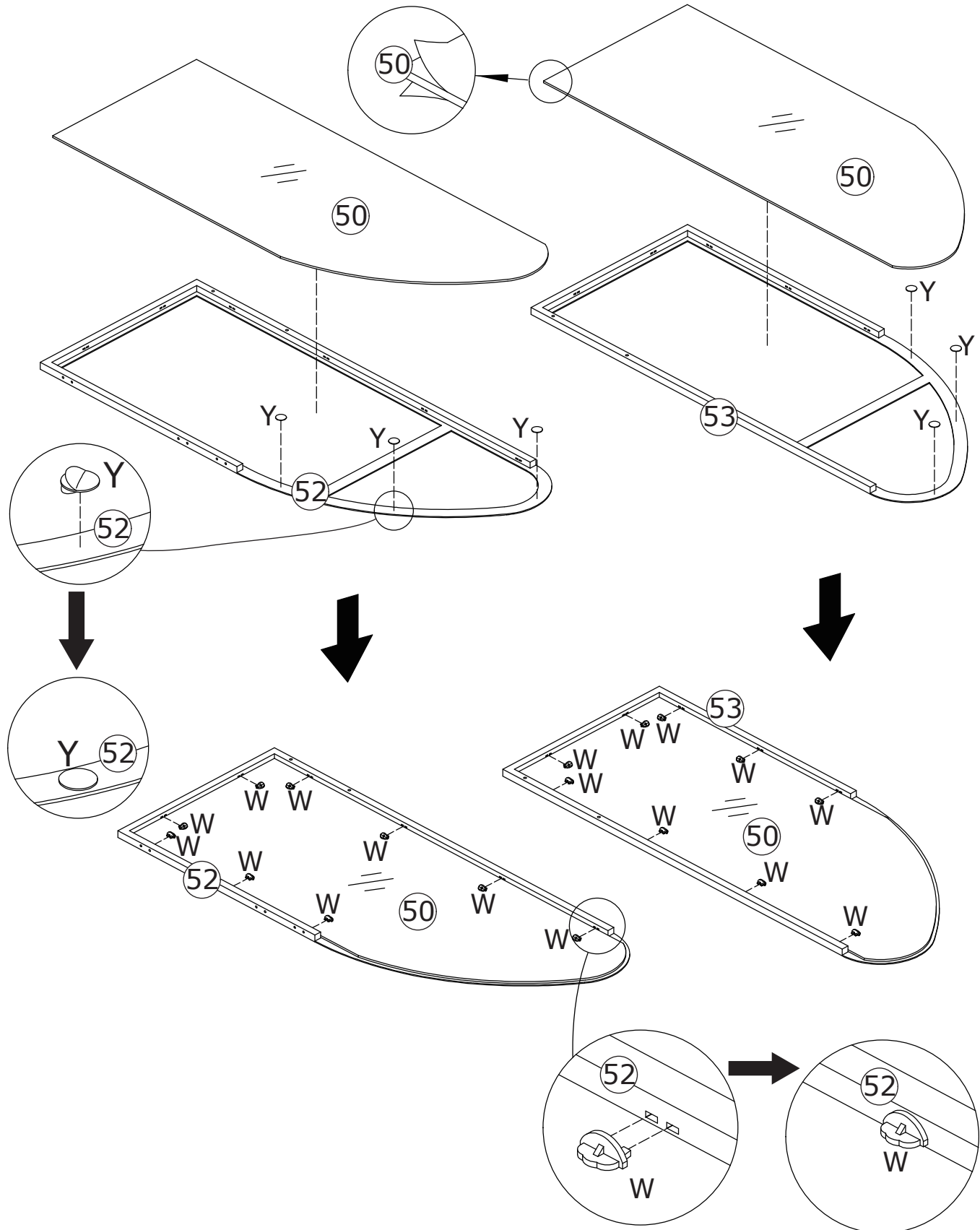
W x 18



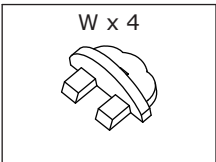
Y x 6



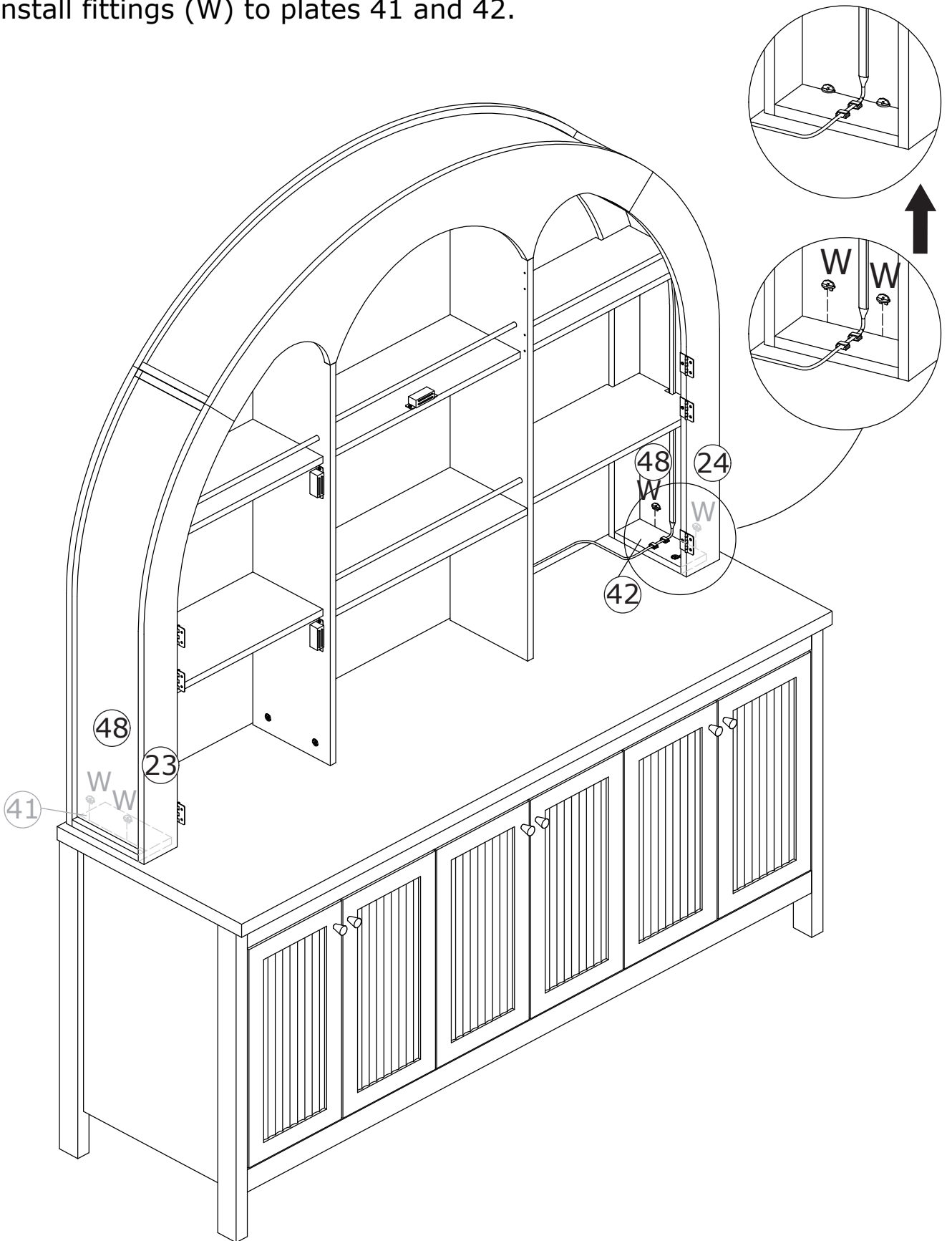
First install fitting (Y) onto parts 52 and 53. Then mount acrylic plate 51 onto, securing to parts 52 and 53 with fittings (W).



45



Install fittings (W) to plates 41 and 42.

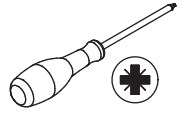


46

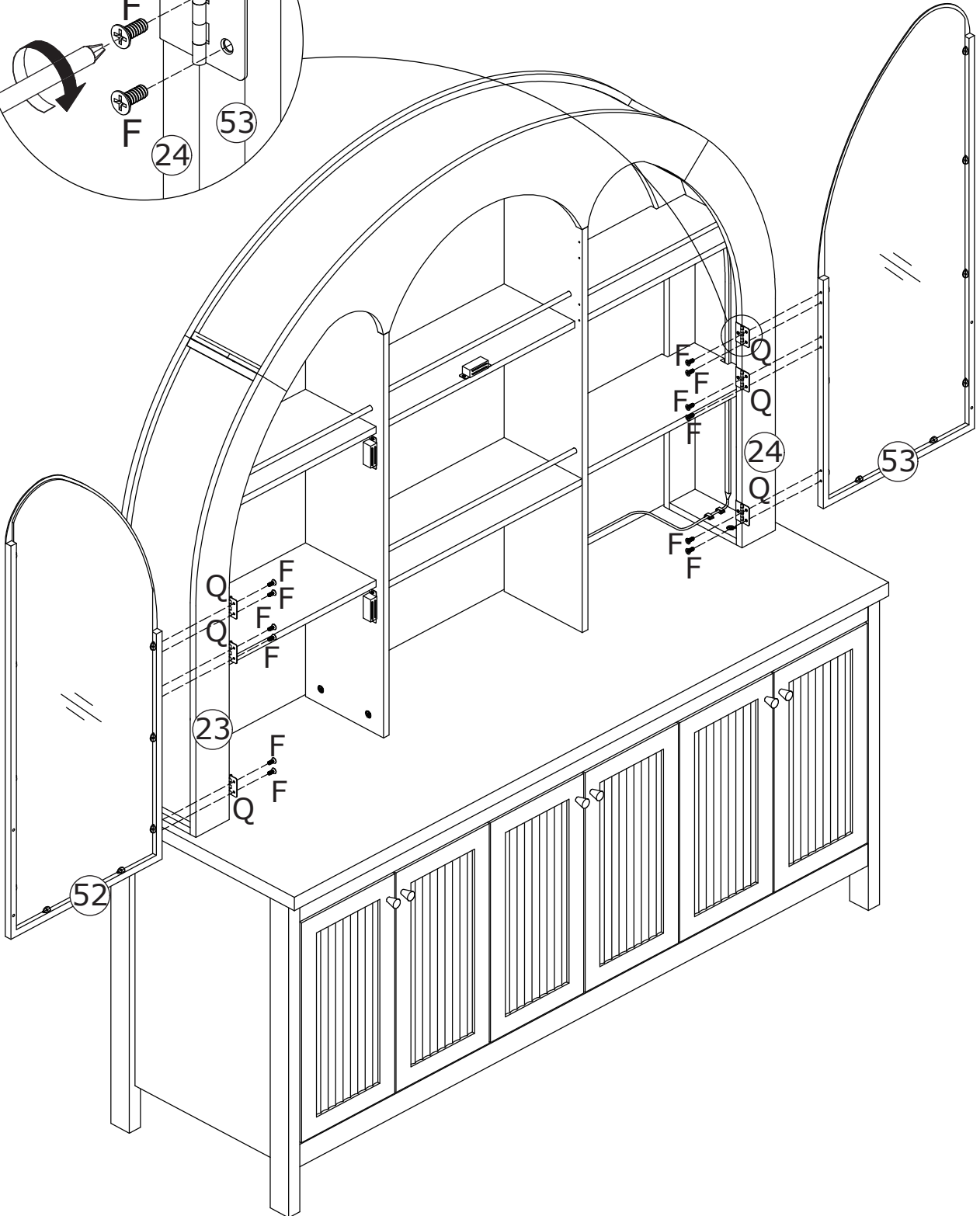
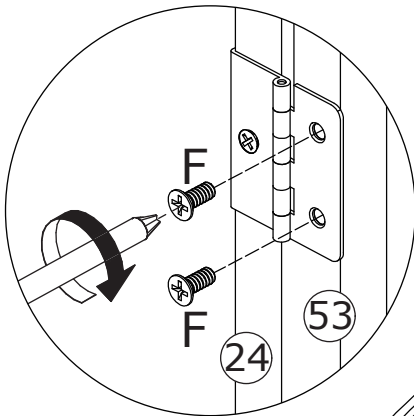
F x 12



M4 x 10 mm



Secure plates 52 and 53 to hinges using screws (F).

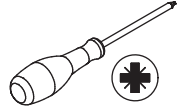


47

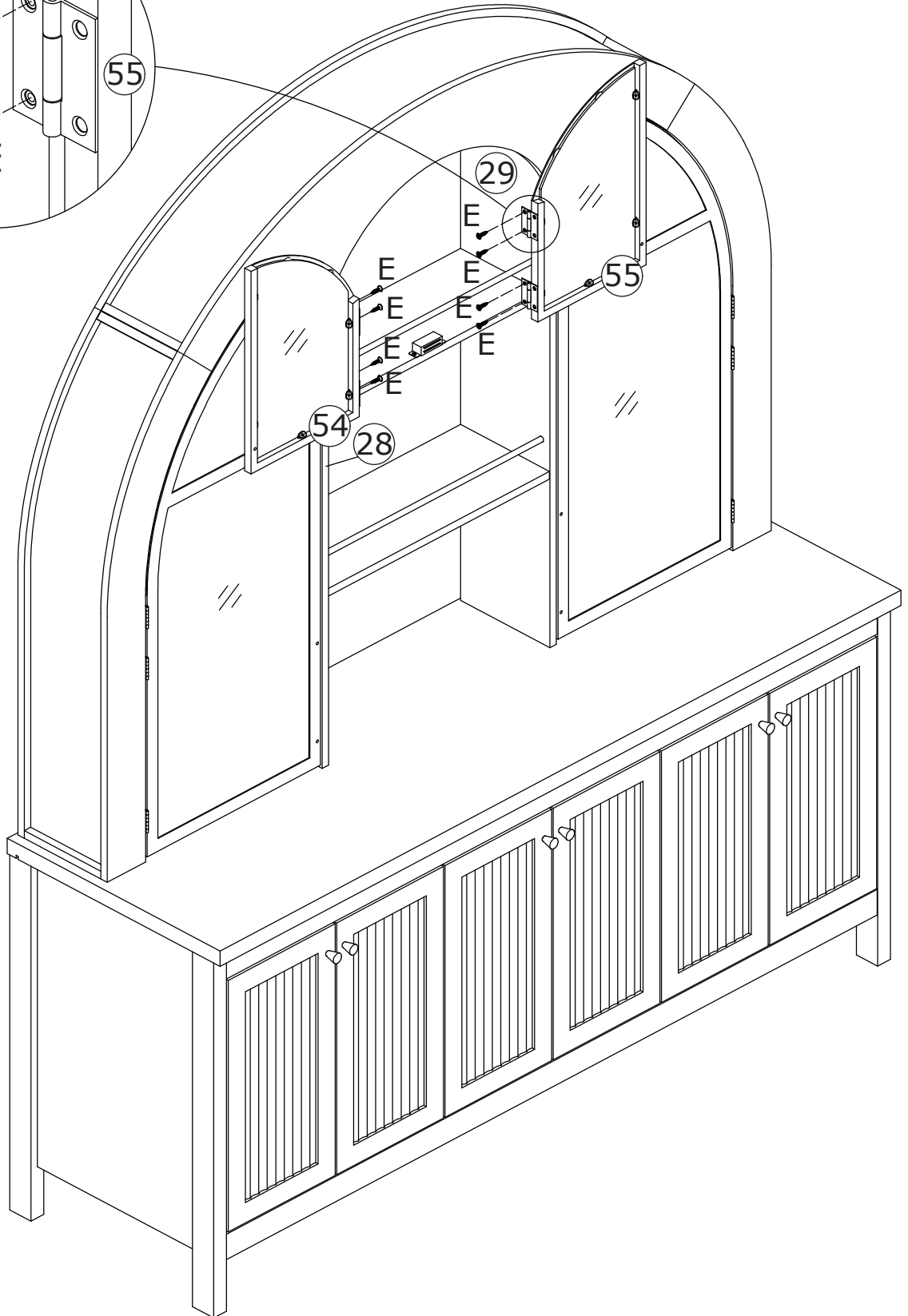
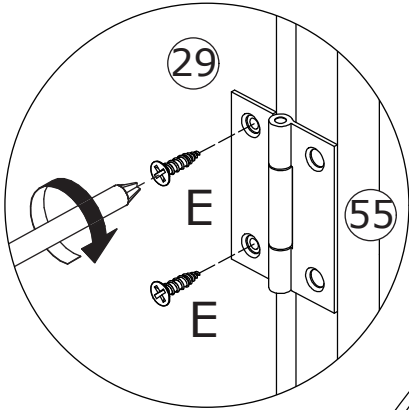
E x 8




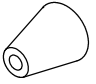
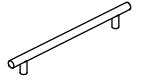

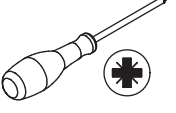
M3.5 x 14 mm



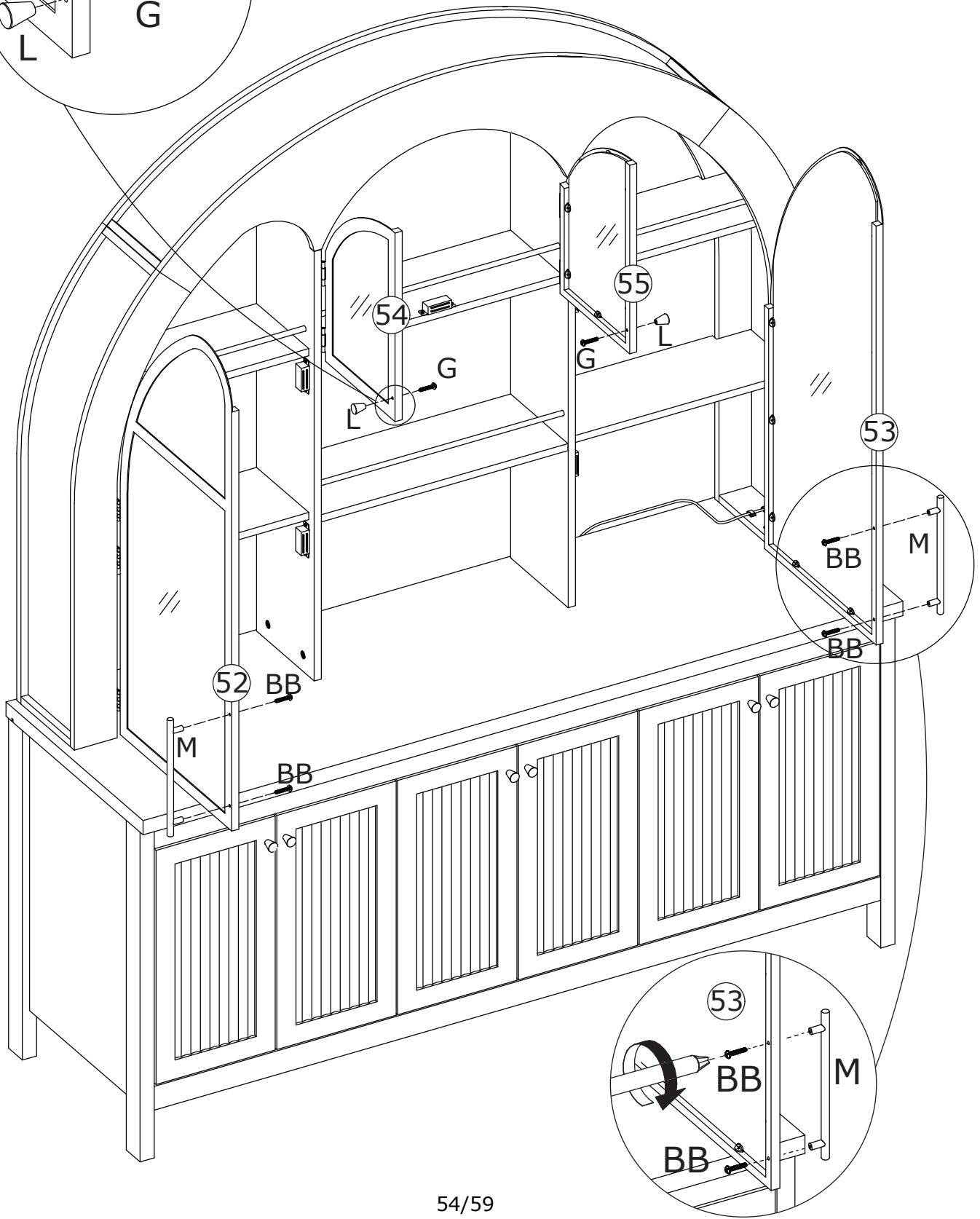
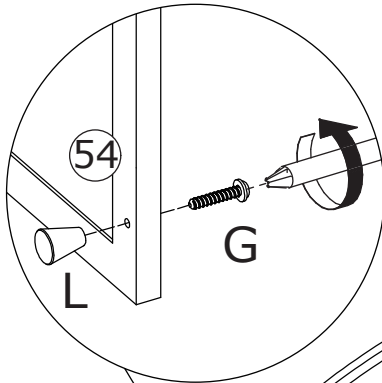
Secure plates 54 and 55 to hinges using screws (F).



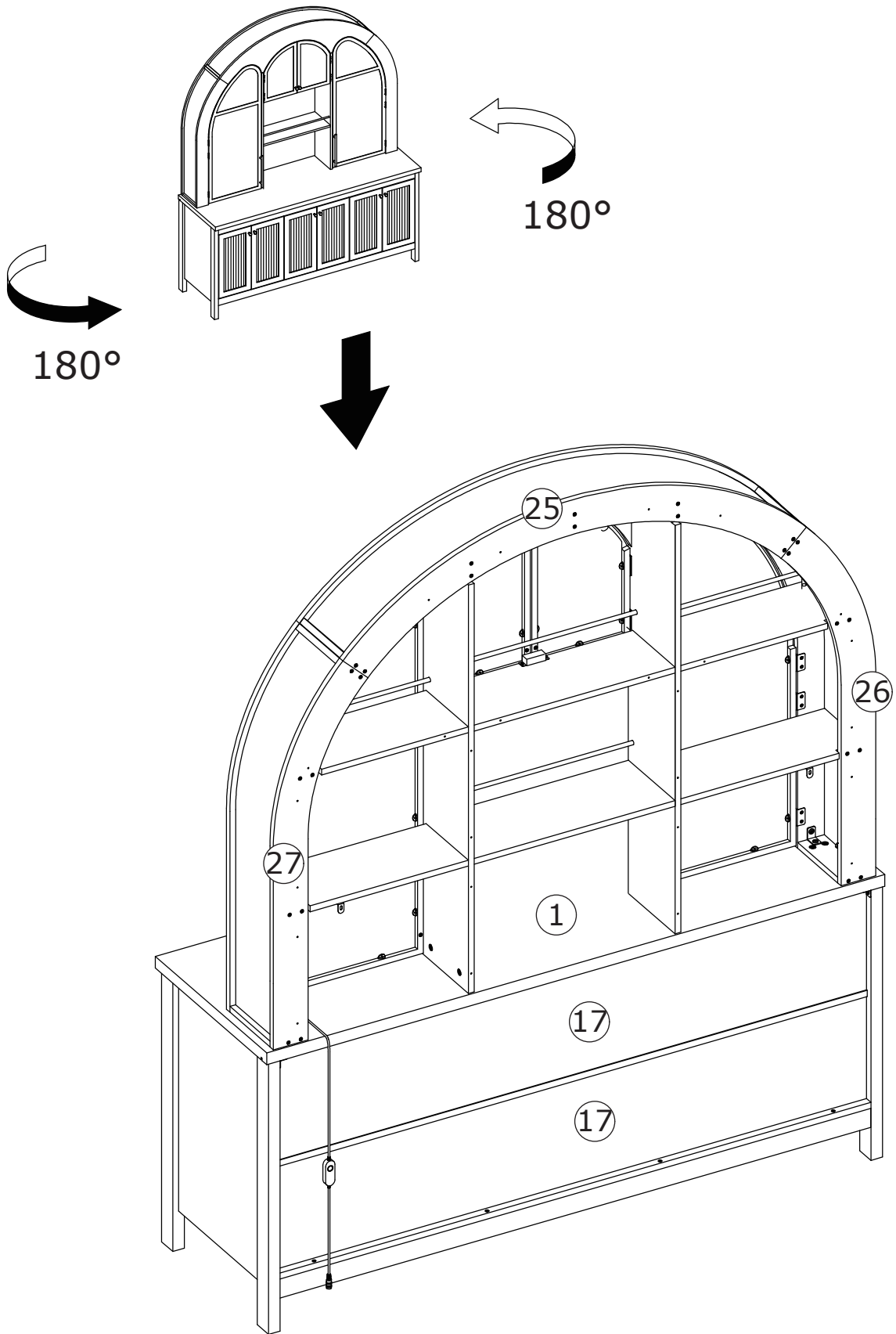
48

 G x 2 M4 x 20 mm	 L x 2 1904	 M x 2 1932-192	 BB x 2 M4 x 22 mm	
--	--	--	--	---

Secure knobs (L) to plates 54 and 55 using screws (G).
Secure handles (M) to plates 52 and 53 using screws (G).



49

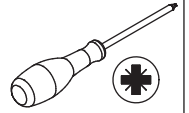


50

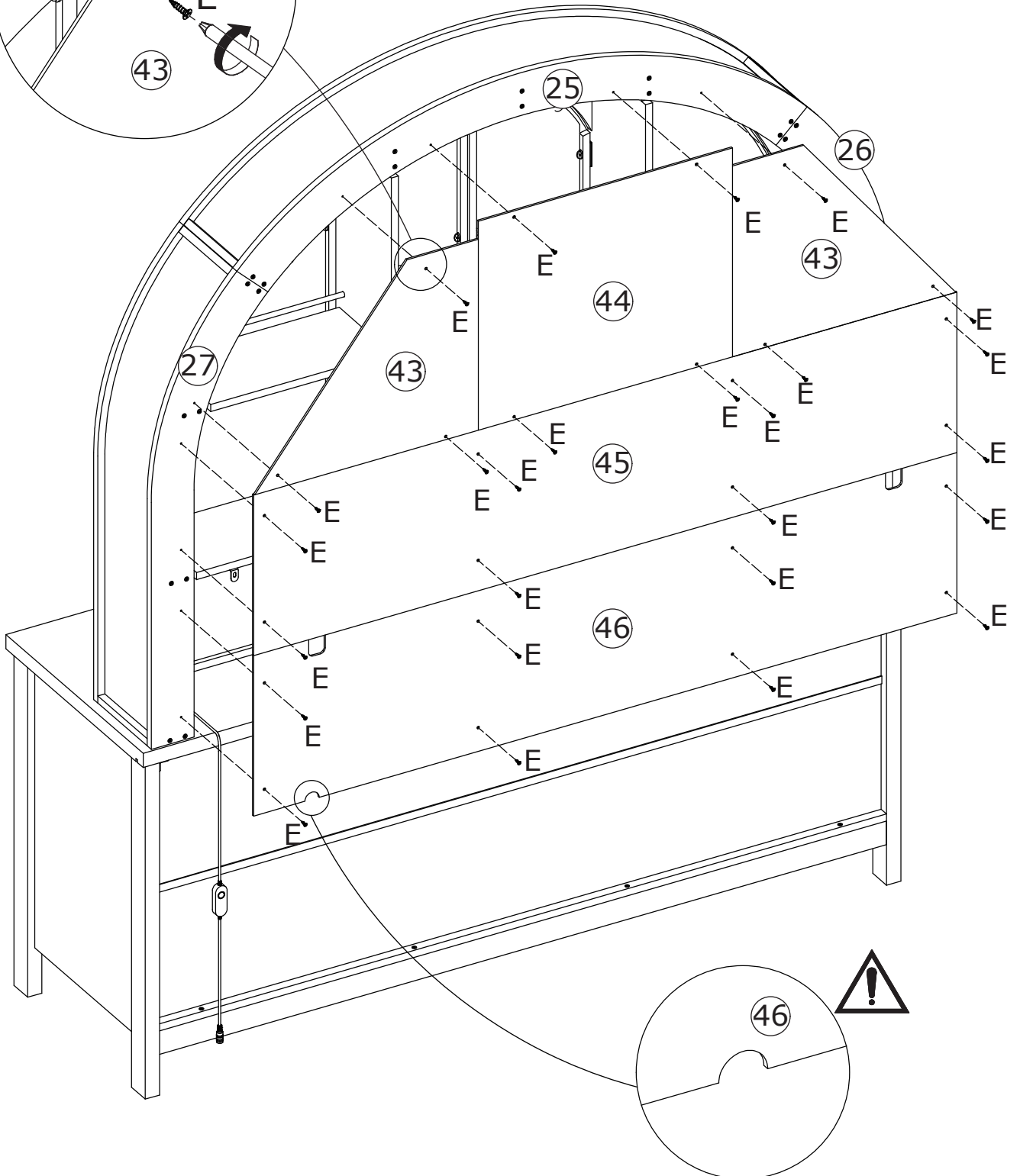
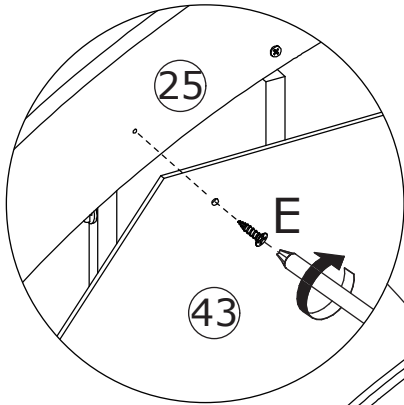
E x 26



M3.5 x 14 mm

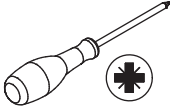


Secure back plates 43, 44, 45 and 46 to the assembly unit using screws(E)

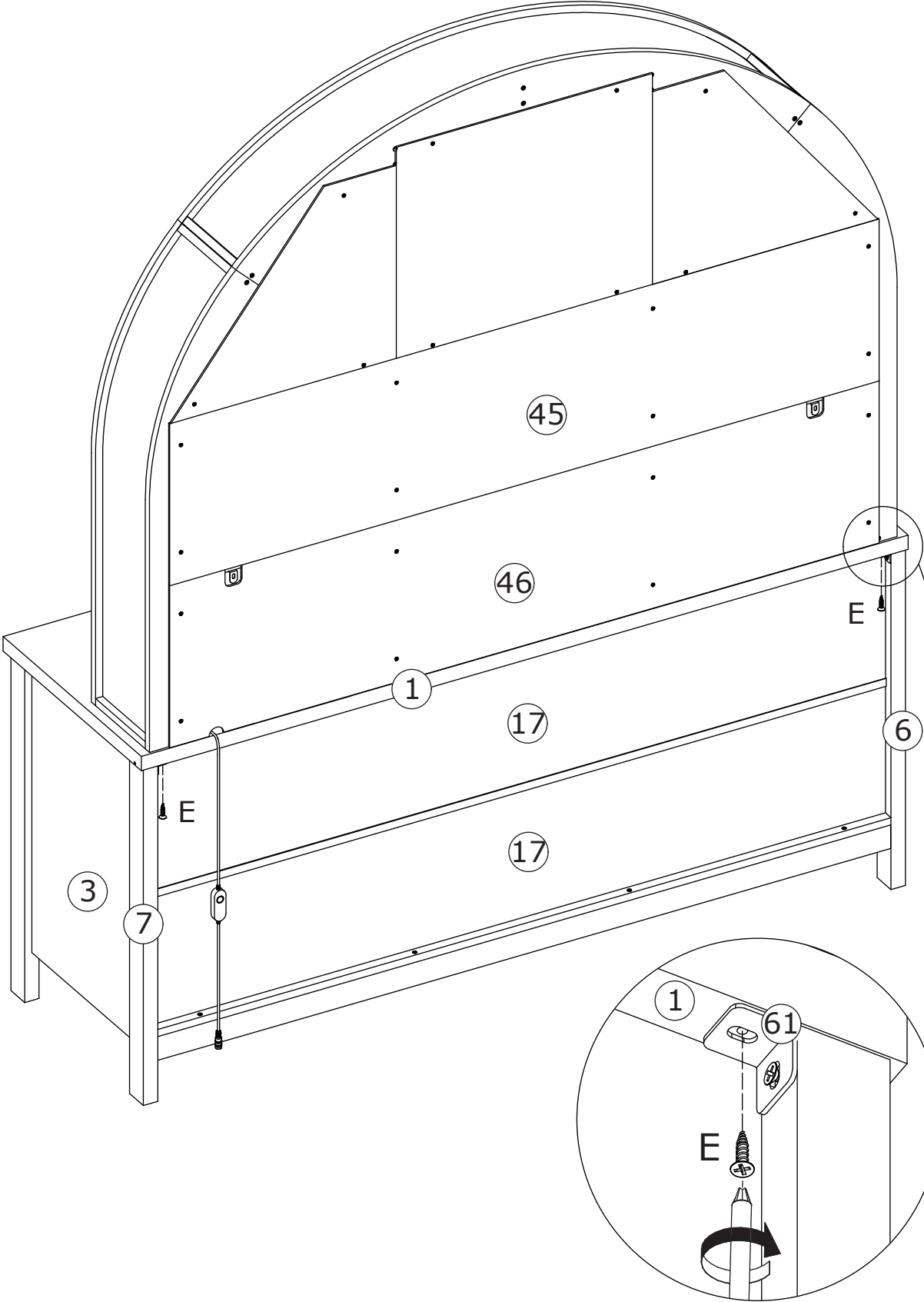


51

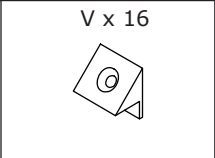
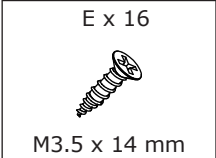
E x 2
M3.5 x 14 mm



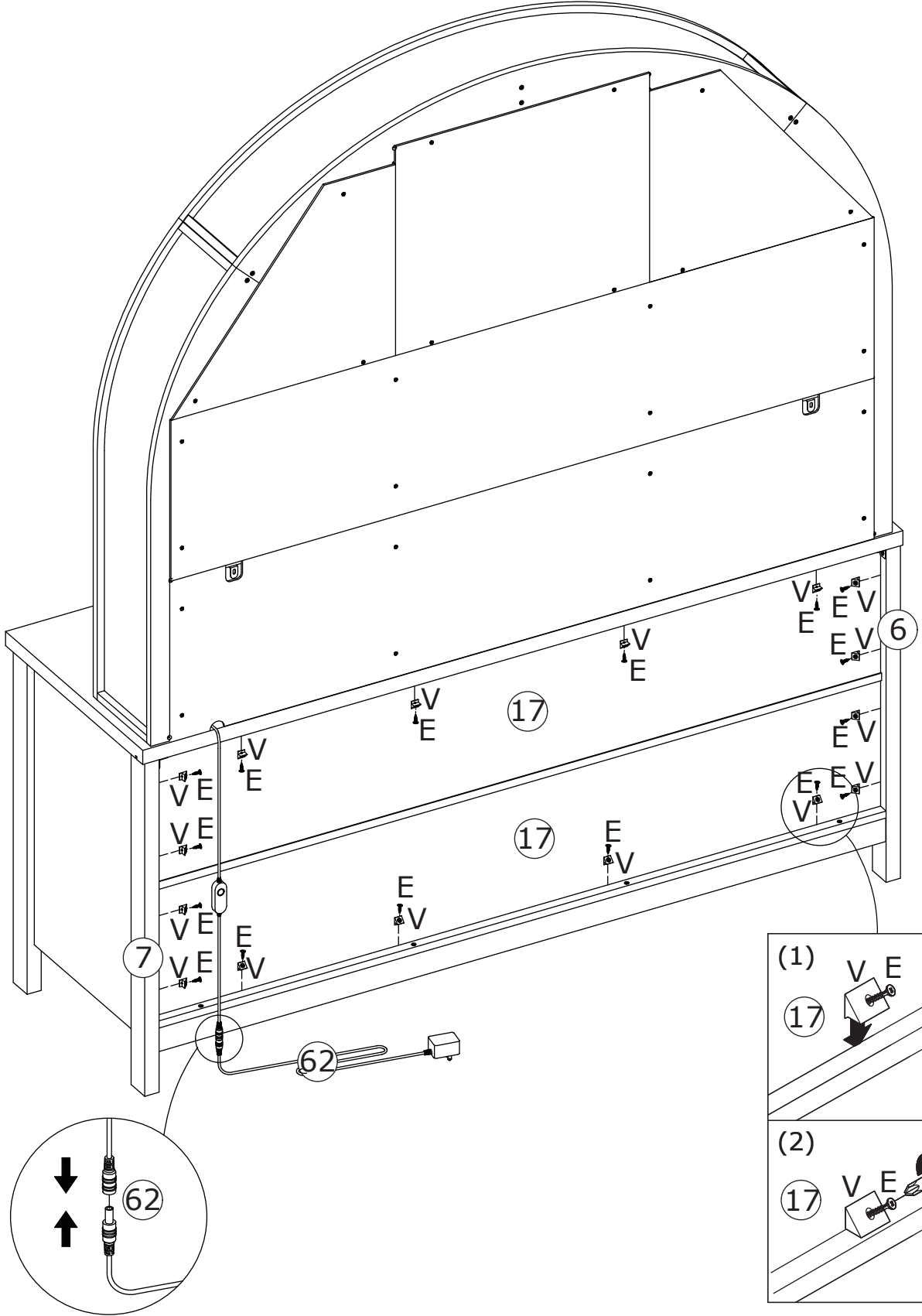
Secure bracket 61 to plate 1 using screws (E).



52



Insert clips (V) into the slots on the back plates and secure them with screws (E).

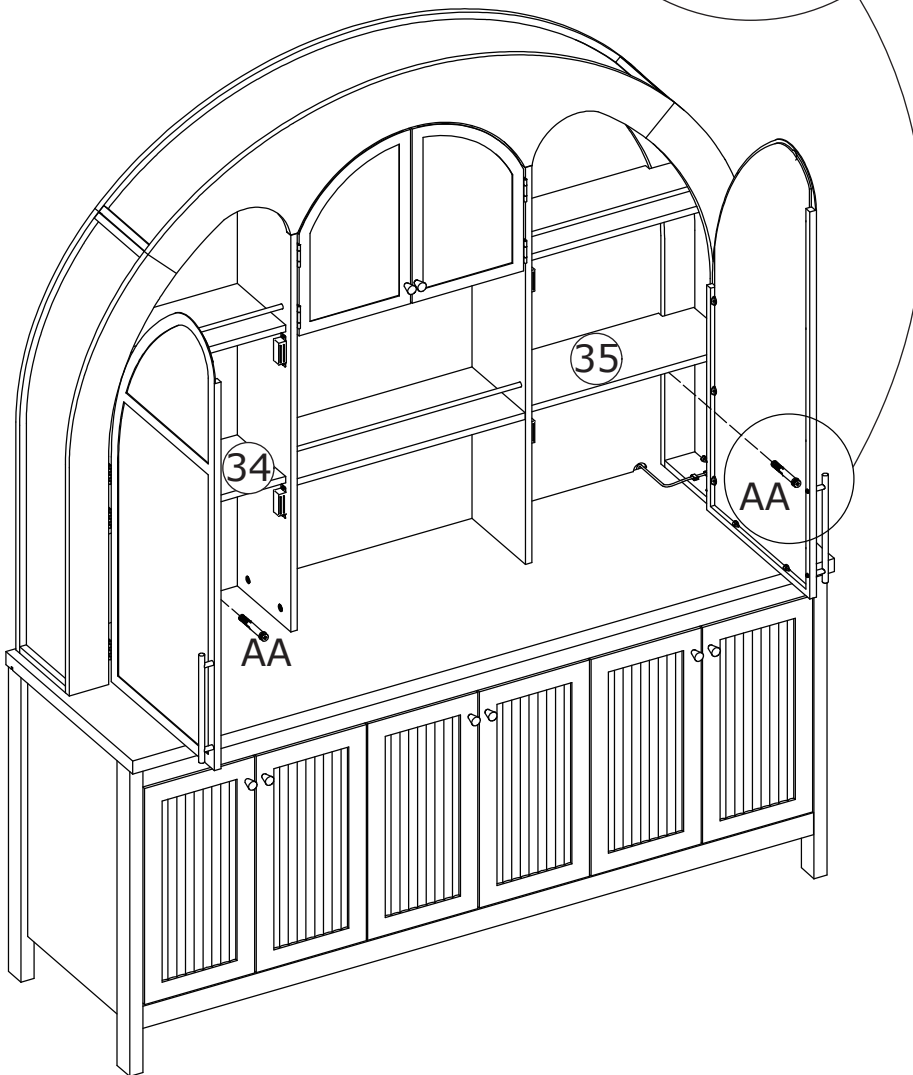
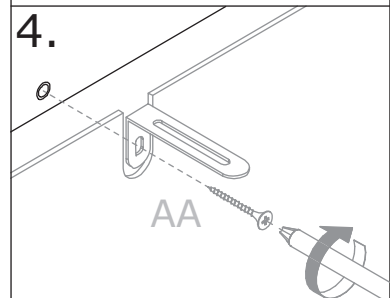
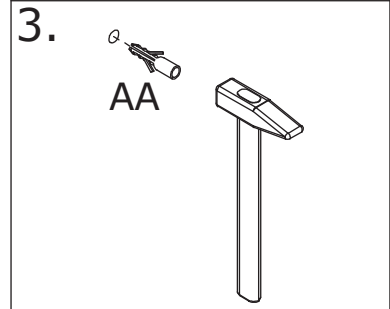
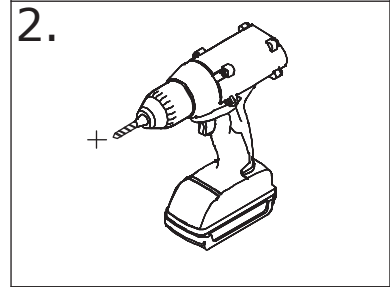
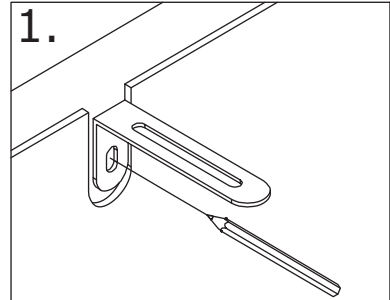
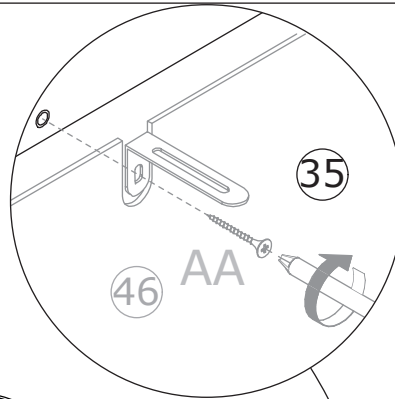
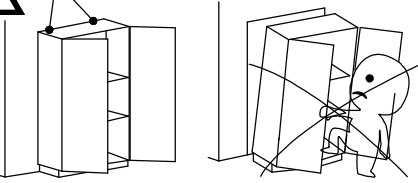
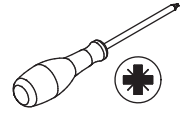
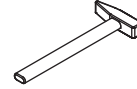
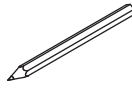


53

AA x 2



M8x60/M5X55 mm



Install the anti-tip device.

WARRANTY

WARRANTY CLAIMS

- There is a 30-day warranty for broken furniture or any other problems that do not work properly. The warranty will start from the date of purchase which must be verified by proof of purchase.
- Before making a claim, we may be able to answer your query, simply call us. Please leave your purchase order number, along with some details of the problem, if you want a replacement part. We will arrange within 48 hours. If there is out of stock, we will reply with a shipping date.
- The product must be used in accordance with the instructions provided. For health reasons.
- For other reasons, if the furniture needs to be returned, it must be cleaned and dried and operated within 30 days of receipt.

Type of Warranty Claim

- Failure to follow the furniture instructions will invalidate the warranty. Attention please.
- Does not include damage during installation, but includes damage during transportation.

Scope of responsibility

- Shall not bear any responsibility for misuse or user damage and / or loss of parts during the installation of furniture.
- After using, the damage and scratches of the furniture are not covered by the warranty.

The Warranty Relates to All Bought in The Us and Covers The Following Areas

- Sheet parts: 1 month from the date of purchase.
- Electrical parts: 1 month from the date of purchase.

RETURNS

CHANGED YOUR MIND AND NEED TO RETURN YOU ITEM?

PLEASE FOLLOW THE BELOW INSTRUCTIONS:

- If you have purchased and have simply changed your mind, follow the retailer's instructions for returns.

DEFECTIVE ITEMS

- If your item is defective in any way, i.e. it doesn't work but you can't identify why, in the first instance, please call us.

DAMAGED ITEMS

- If you receive an order with obvious shipping damage from the retailer, then we suggest the delivery is refused. If the delivery has been accepted and then shipping damage is found, please follow the specific instructions advised by the retailer.
In all circumstances please save all packaging material and paperwork for the order. Please be aware that if you dispose of packaging material or attempt to return the merchandise without contacting the fulfiller, you jeopardise your chances of making a claim, and you may not receive a credit for the return.