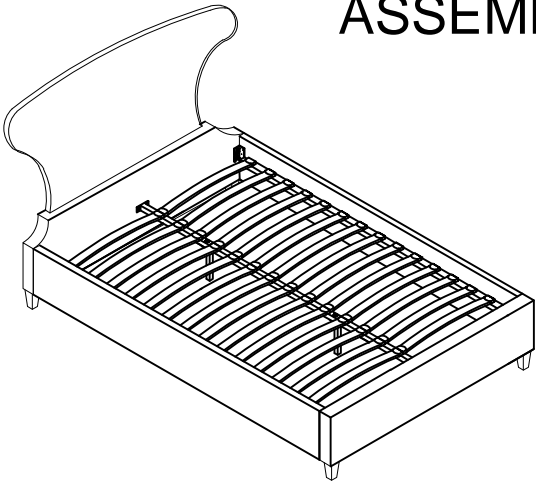


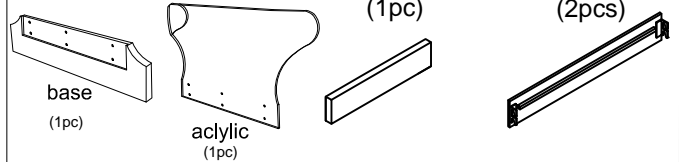
ASSEMBLY INSTRUCTIONS

bed - queen



+ Parts Included

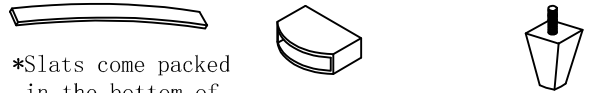
- ①-Head Board(base + aclylic) ②Foot Board (1pc) ③Side Rails (2pcs)



- ④DoublePlastic cap(15pcs) ⑤Center Support Bar(1pc) ⑥Support Legs(2pcs)

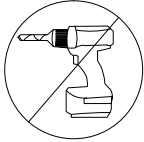


- ⑦Slats (30pcs) ⑧SinglePlastic cap (30pcs) ⑨ Legs (4pcs)

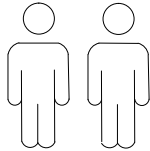


*Slats come packed in the bottom of headboard carton.

+ Do Not Use Power Tools



+ Suggested Adults



NOTE:

- 1 Read instructions cover to cover.
- 2 Save all packaging until assembly is completed.

1 IMPORTANT SAFETY INFORMATION

Do not assemble the product if any of the following parts arrived damaged:

- Part #③ -Side Rails
- Part #⑤ -Center Support Bar
- Part #⑥ -Support Legs
- Part #⑦ -Slats

2 IMPORTANT ASSEMBLY INFORMATION

Assembly Step ③ Ensure the side rail bracket is fully hooked onto bolt **A** loosely threaded with both washers on the **OUTSIDE** of the bracket first, then proceed to fully tightening all 4 corners.

Assembly Step ⑥ When installing slats, ensure that the curve is facing upwards. (↖) (↘)
*Slats come packed in the bottom of headboard carton.

+ Hardware Included

- A Bolt M8*40mm (22pcs) B Flat Washer ϕ 25 (6pcs)



- C Nut M8*13mm (4pcs)

- D Spring Washer (8pcs)



- E Flat Washer ϕ 20 (16pcs)

- F M8 Allen Key (1pc)



- G Spanner (1pc)



ASSEMBLY INSTRUCTIONS

bed - queen

