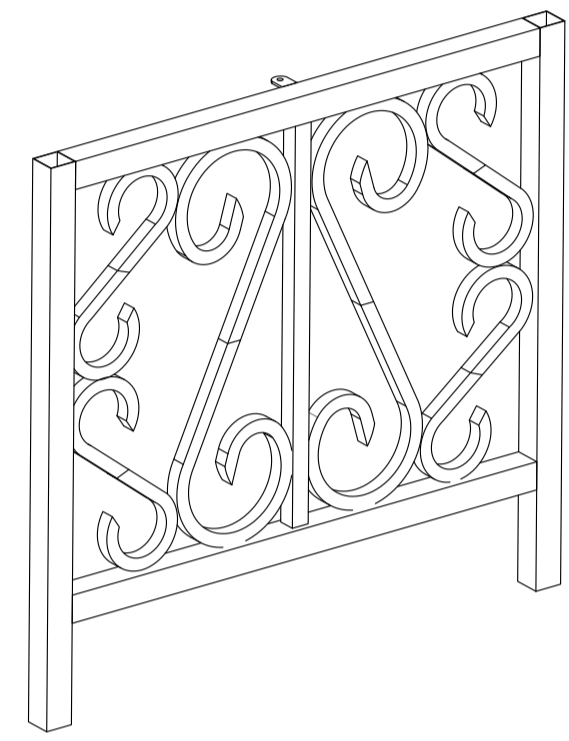


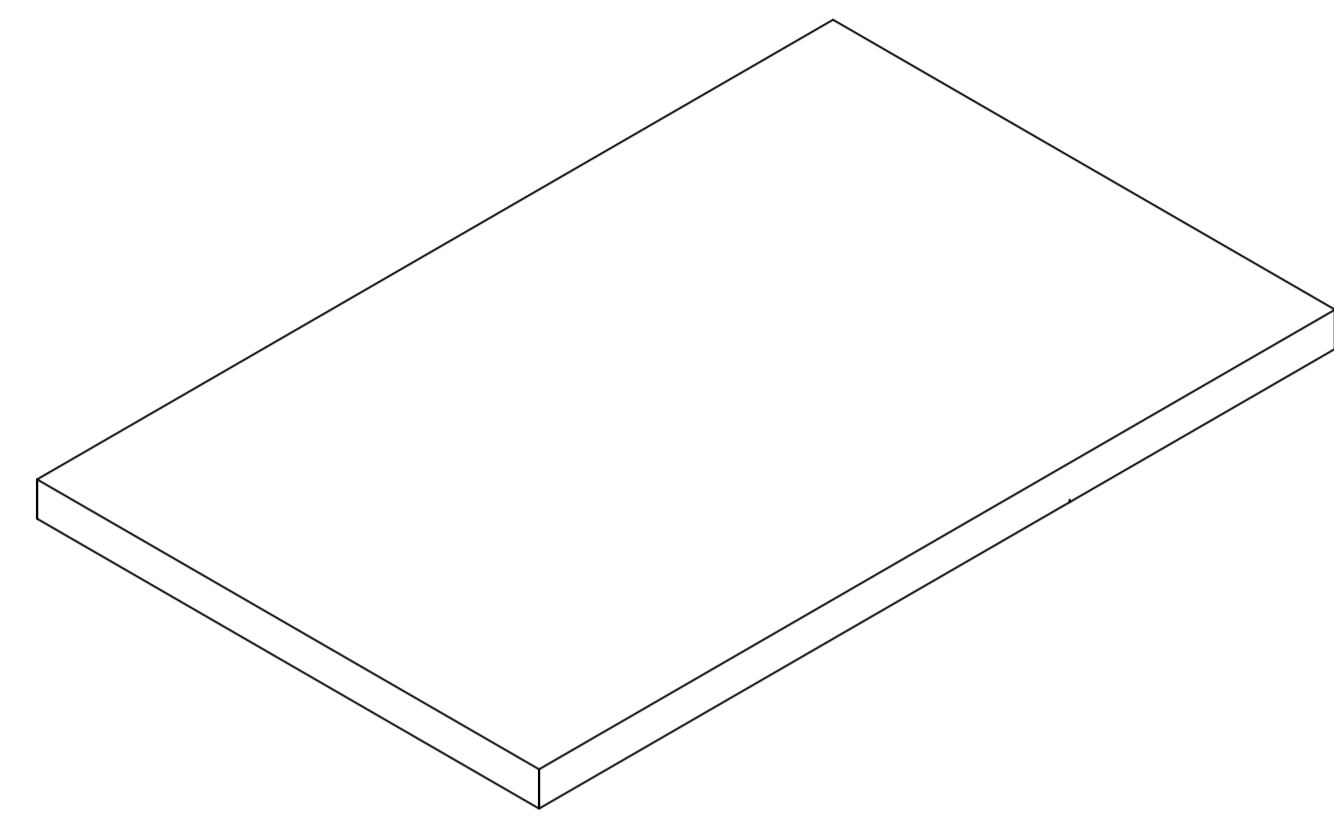
ASSEMBLY INSTRUCTION

3 PC OCC TABLE SET (1 Cocktail, 2 End)

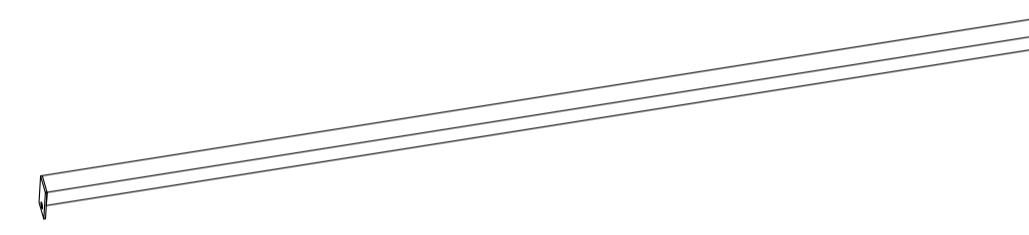
PART LIST:



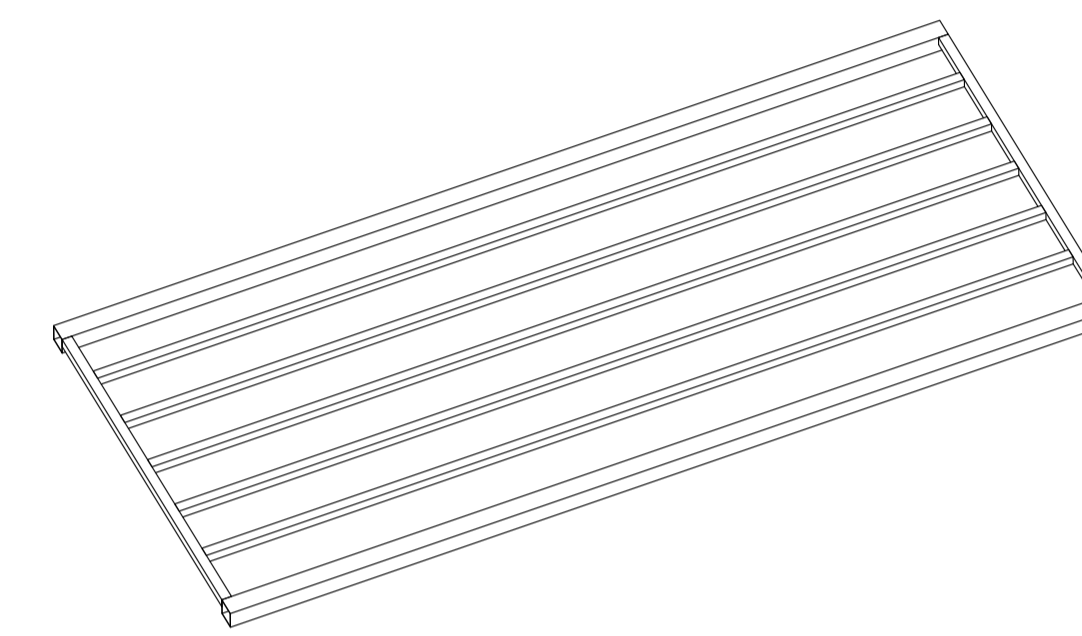
A:Cocktail Table Side Frame
2PCS



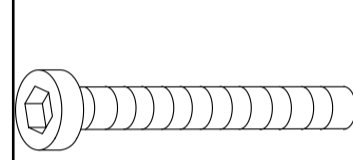
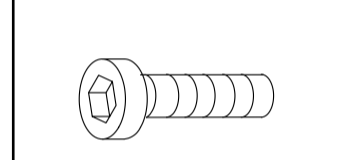
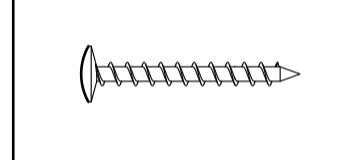
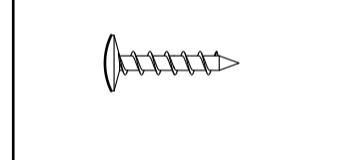
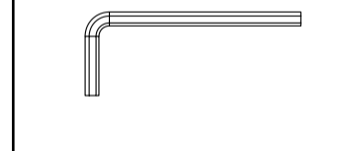
B:Cocktail Table Top
1PC

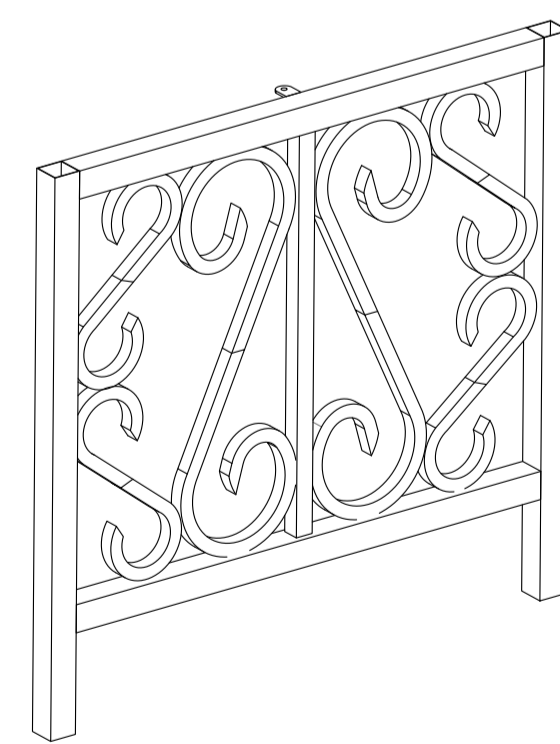


C:Cocktail Table Cross Bar
2PCS

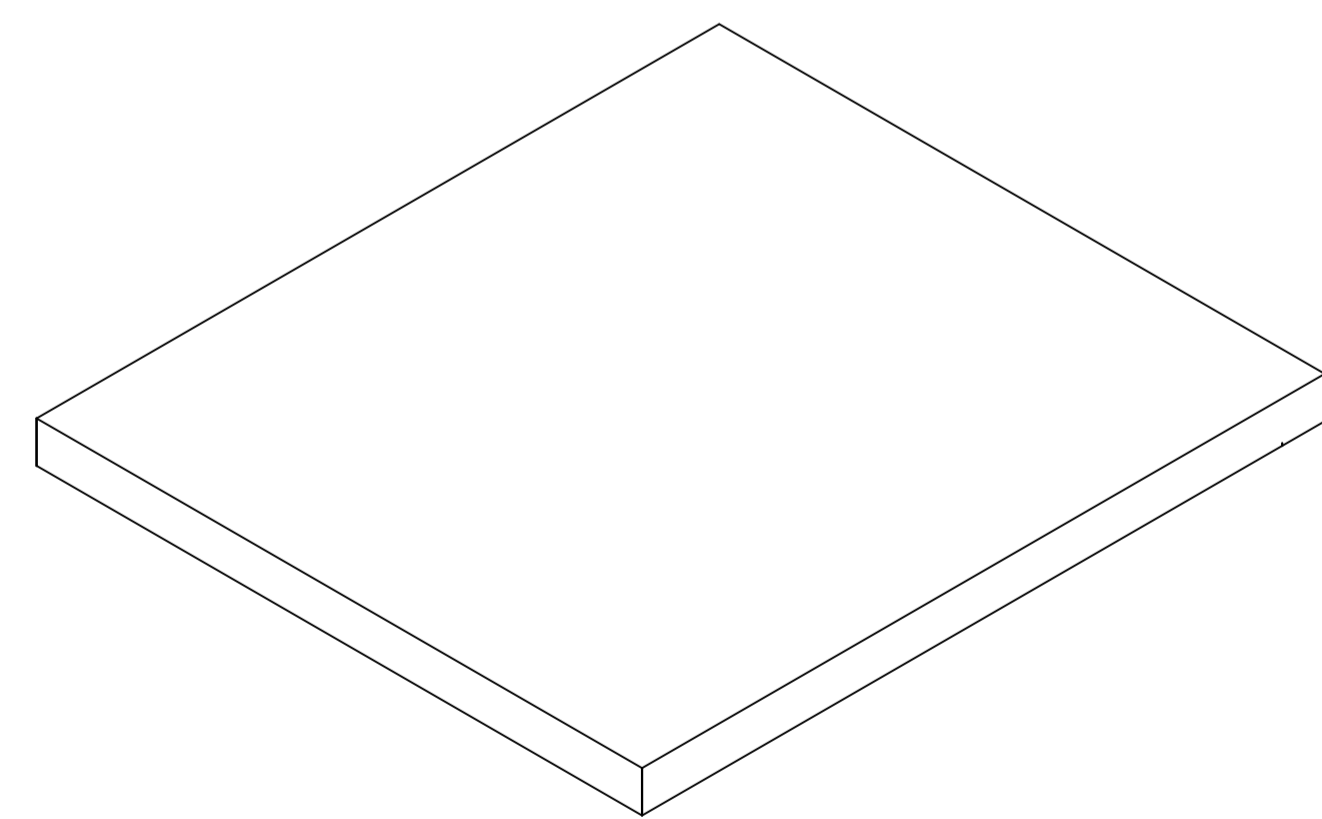


D:Cocktail Table Shelf
1PC

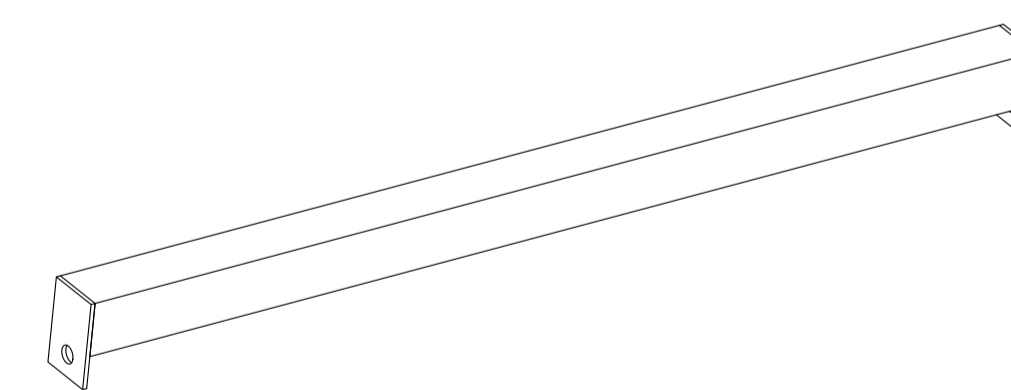
HARDWARE LIST				
I		Bolt	1/4"*30mm	12pcs
J		Bolt	1/4"*16mm	12pcs
K		Screw	5M*42mm	10pcs
L		Screw	5M*16mm	6pcs
M		L-Allen Key	4mm	1pc



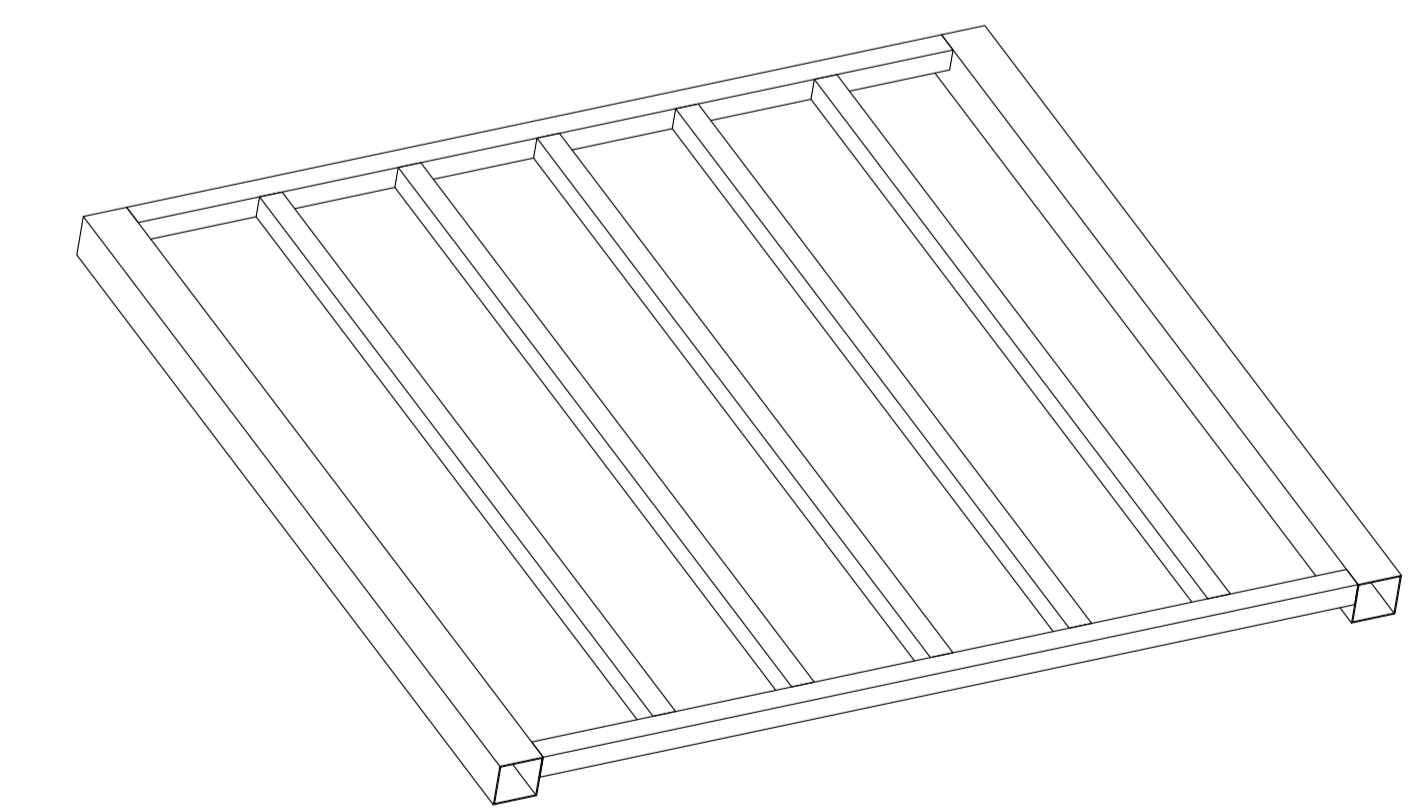
E:End Table Side Frame
4PCS



F:End Table Top
2PCS



G:End Table Cross Bar
4PCS



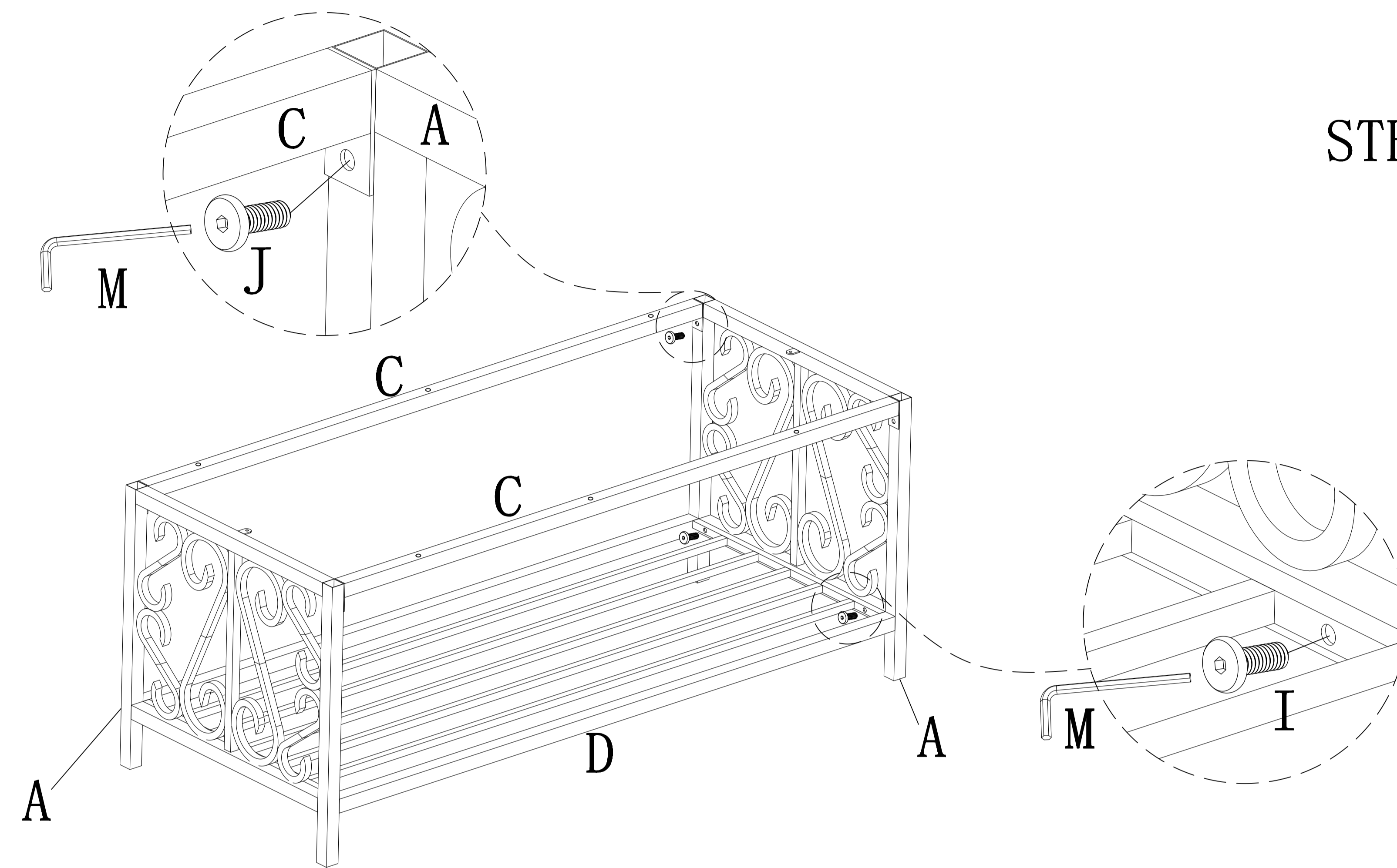
H:End Table Shelf
2PCS

ASSEMBLY INSTRUCTION

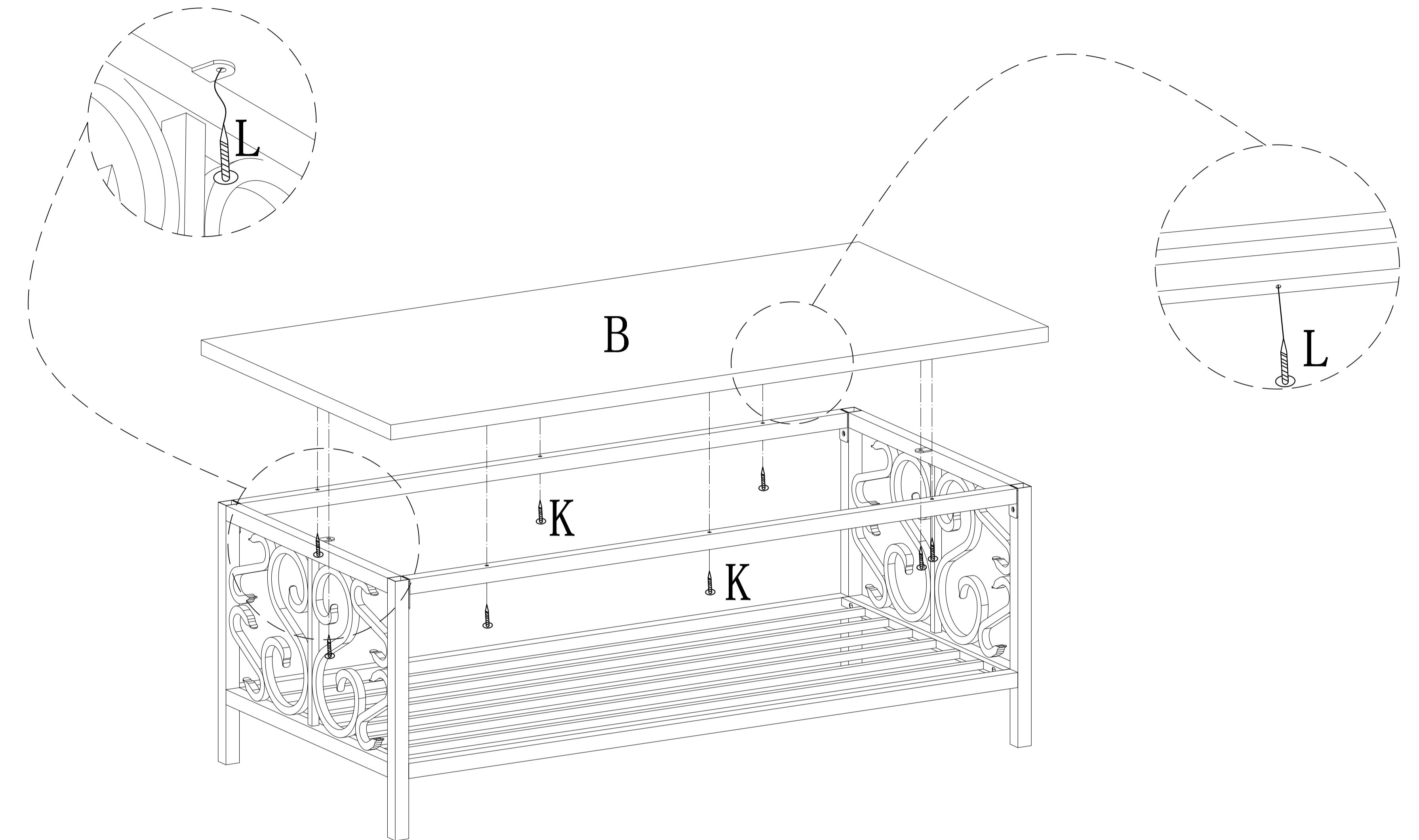
3 PC OCC TABLE SET (1 Cocktail, 2 End)

COCKTAIL TABLE

STEP 1

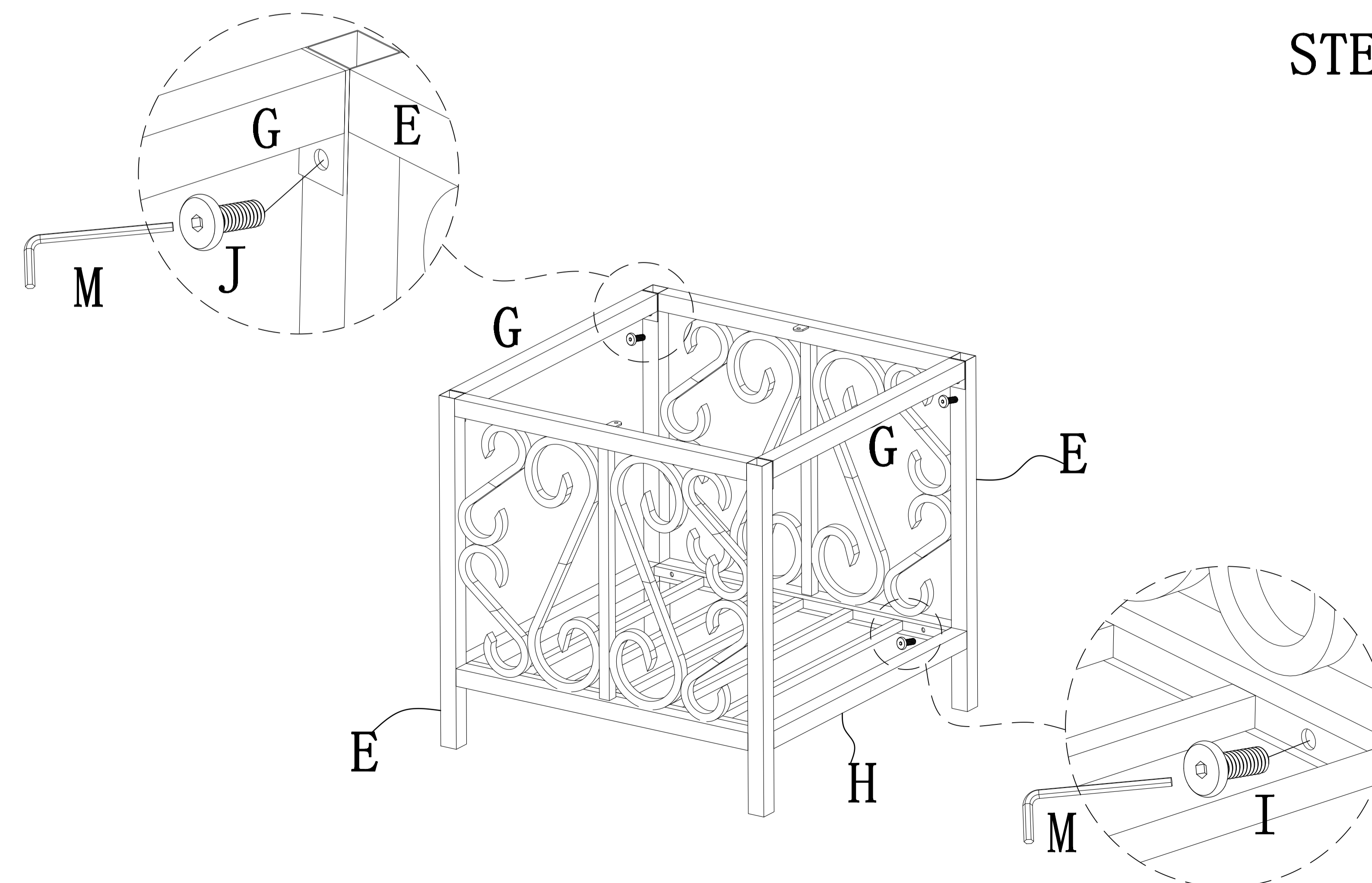


STEP 2

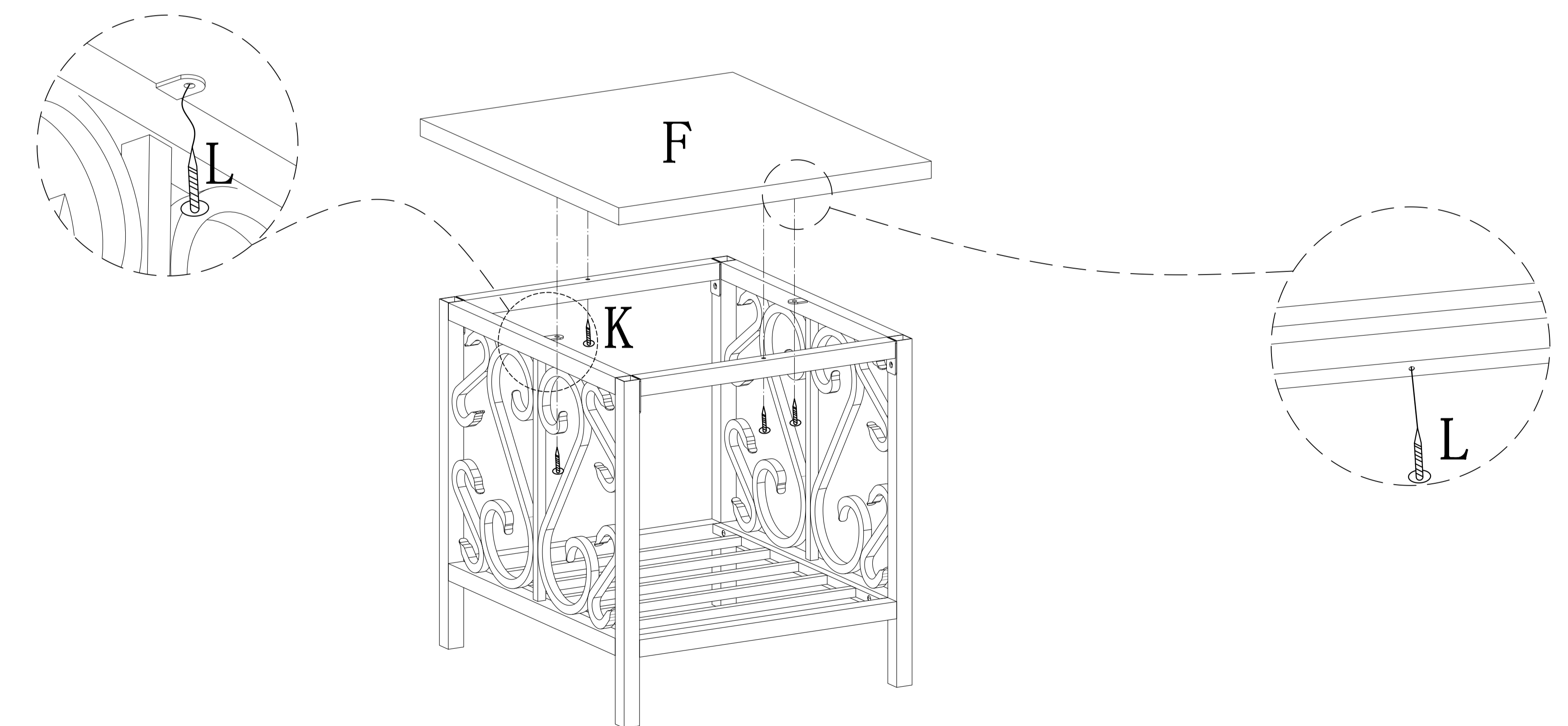



END TABLE

STEP 3



STEP 4



 For items use on wooden floor, hard surfaces or carpets, it is recommended to Install protective pads under all legs and supports to avoid/prevent rom damages/scratches and discoloration.