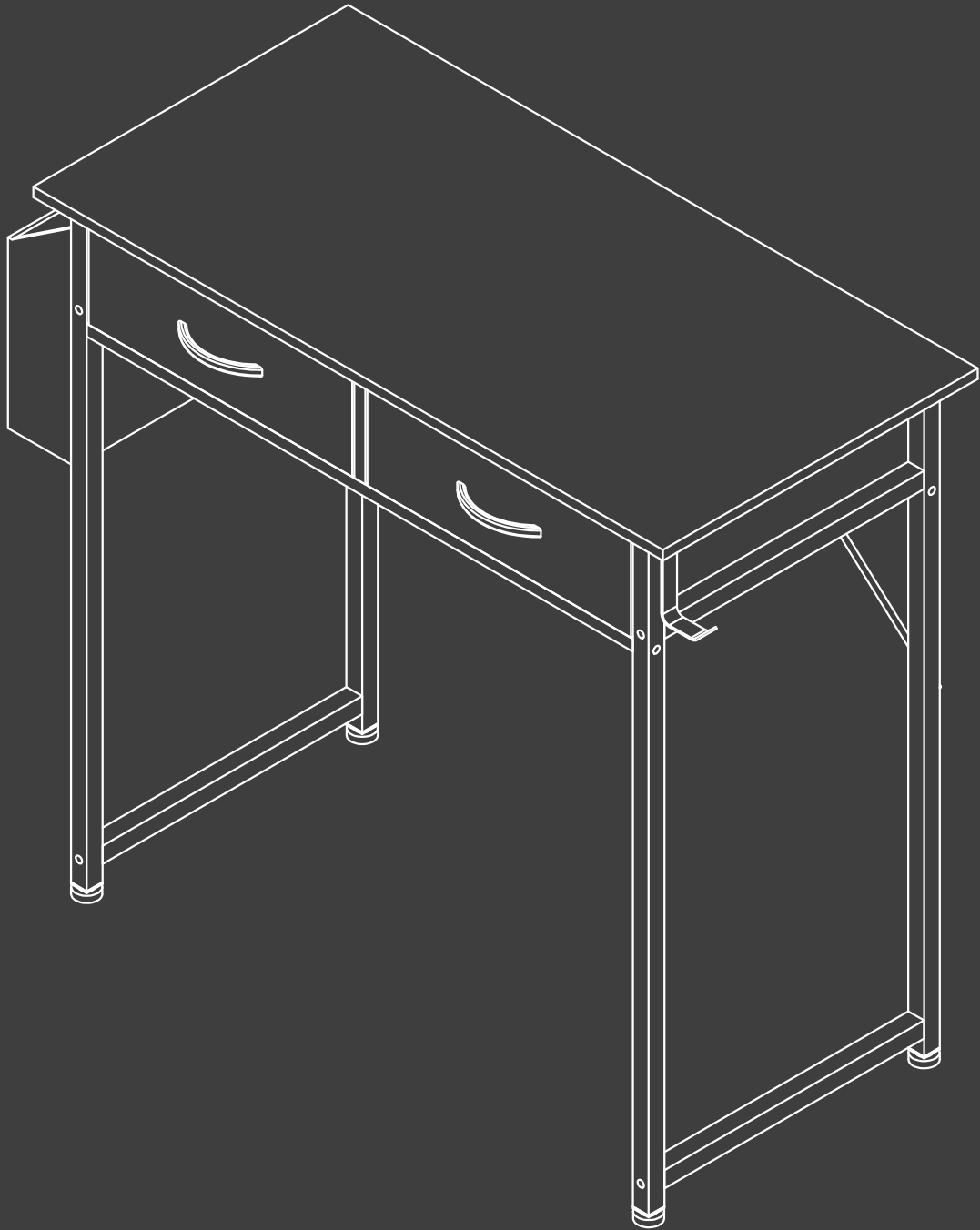
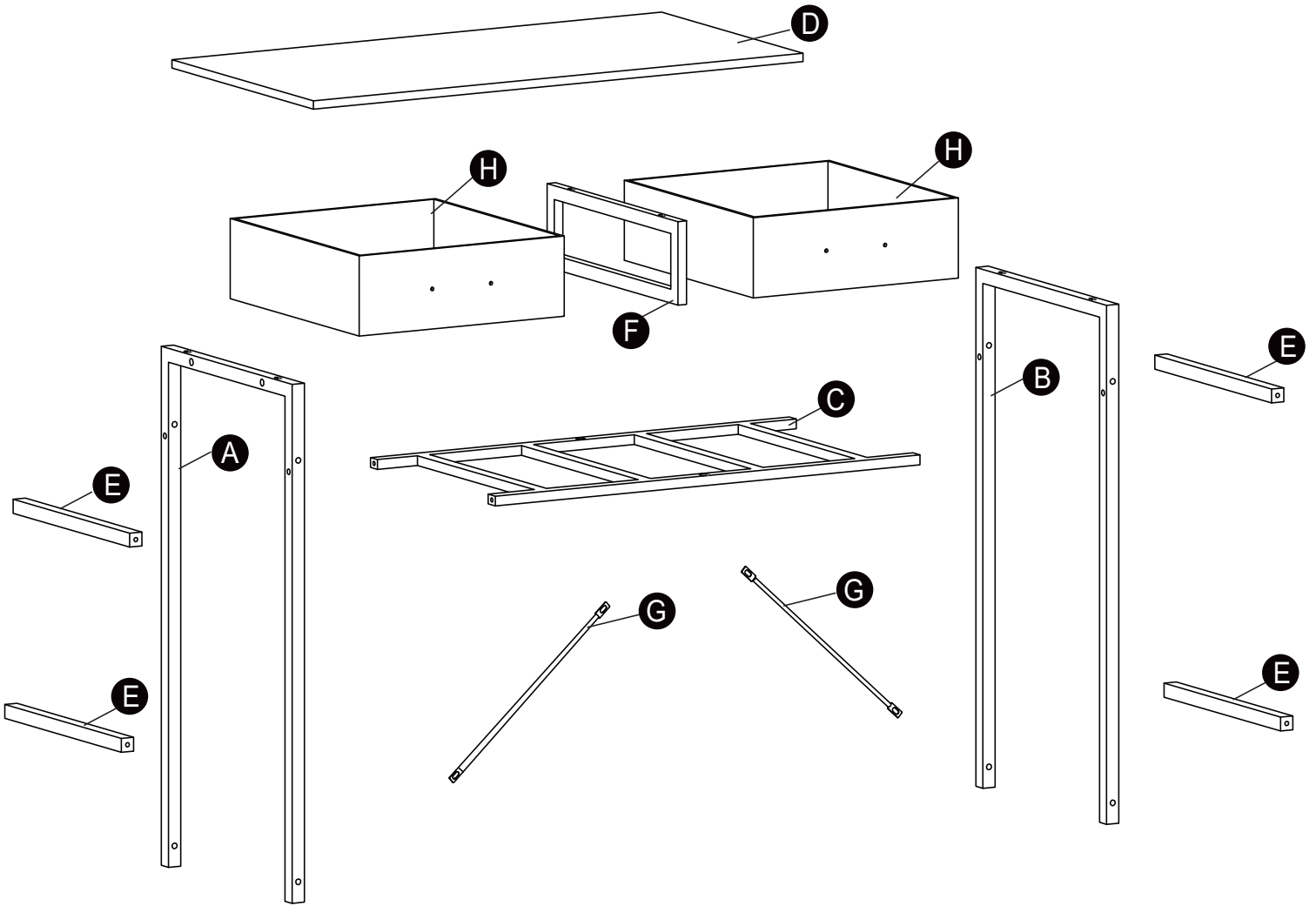


Home Office Desk

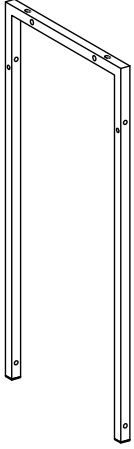
Instruction Manual



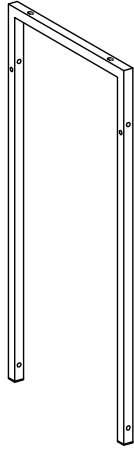


1 Package List

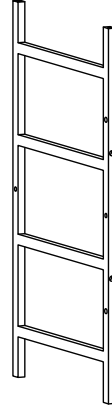
A X1



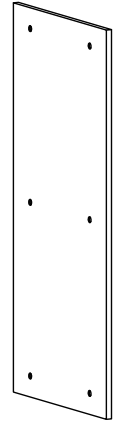
B X1



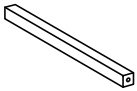
C X1



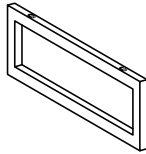
D X1



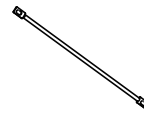
E X4



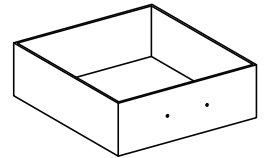
F X1



G X2

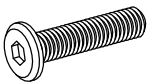


H X2



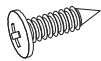
2 Supplied Parts and Hardware

1 X21



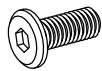
M6x28mm

2 X5



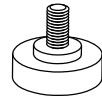
M4x8mm

3 X10



M6x12mm

4 X5

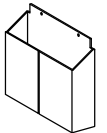


M6x12mm

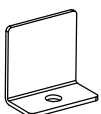
5 X3



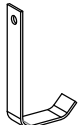
6 X1



7 X2



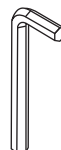
8 X1



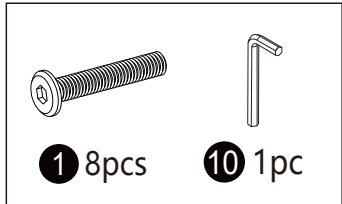
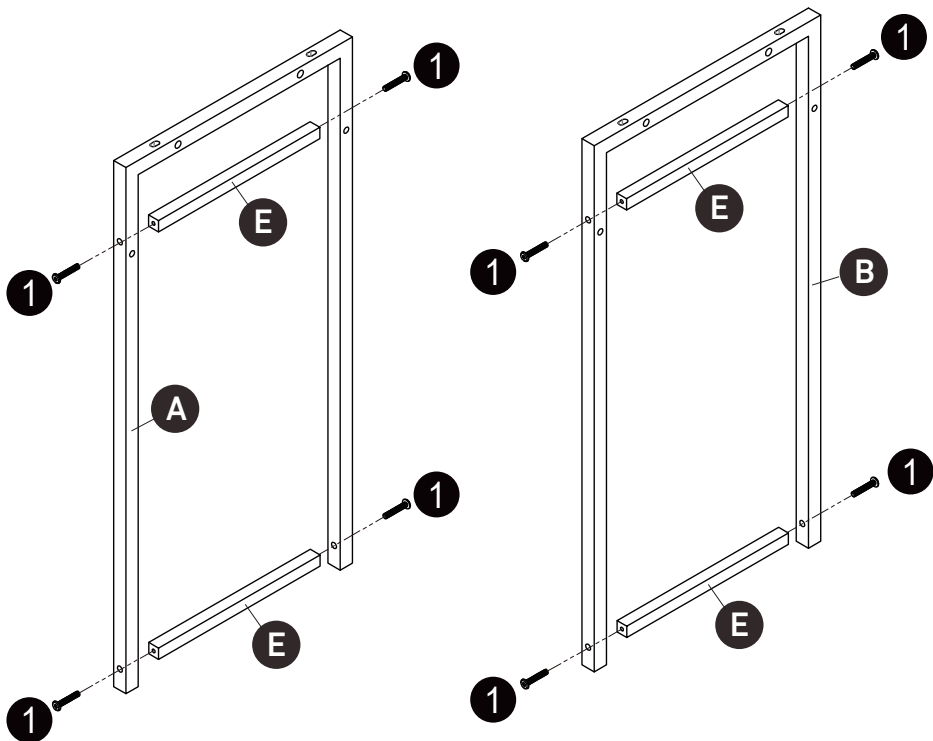
9 X1



10 X2

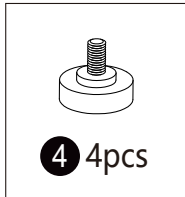
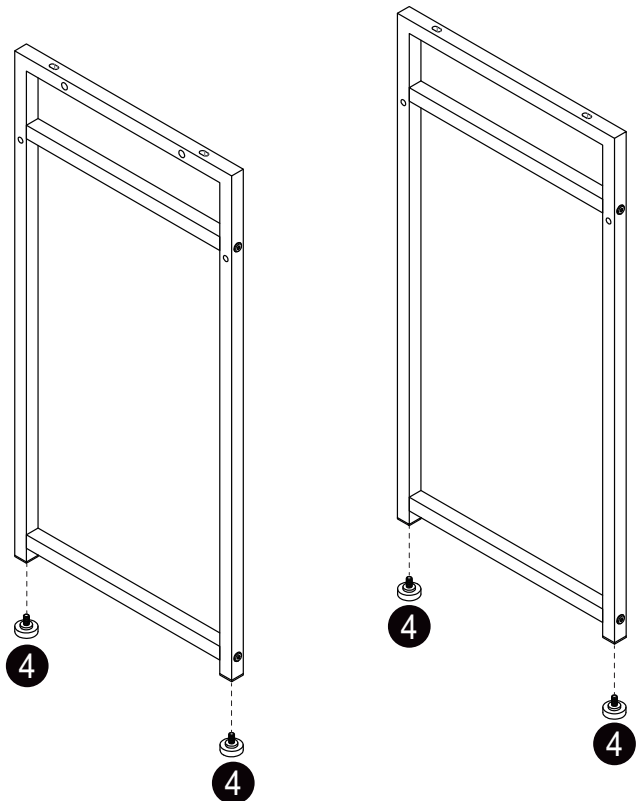


Step 1



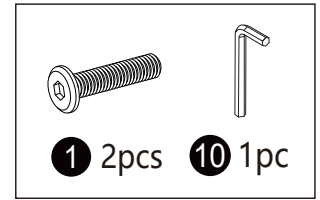
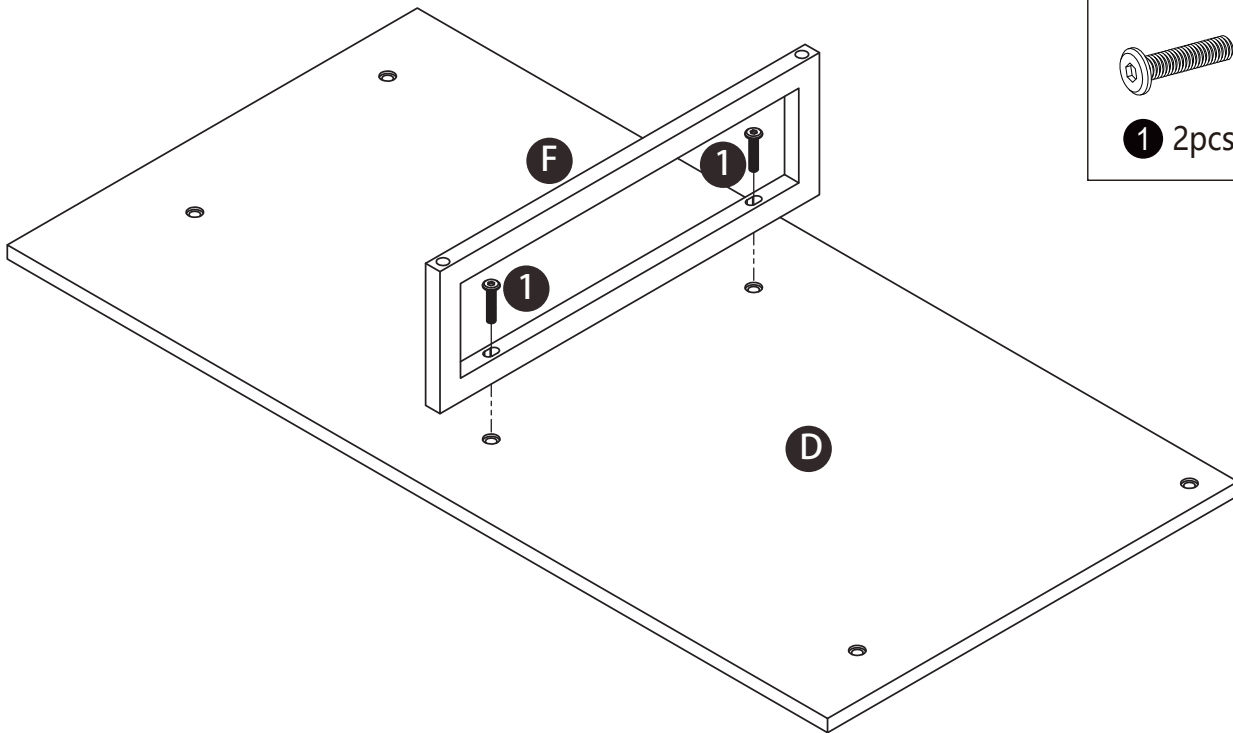
NOTE: DO NOT tighten the bolts.

Step 2



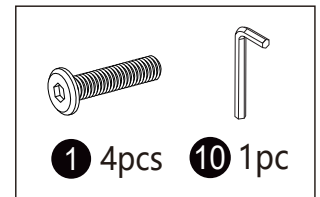
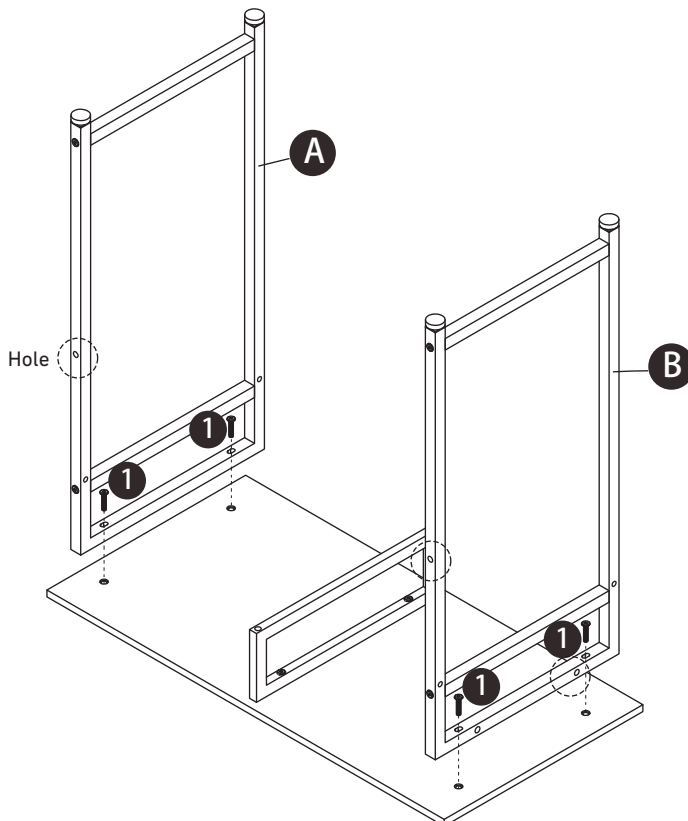
NOTE: DO NOT tighten the bolts.

Step 3



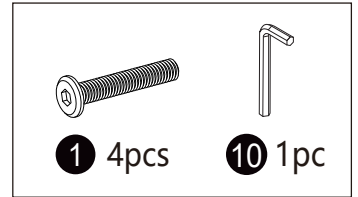
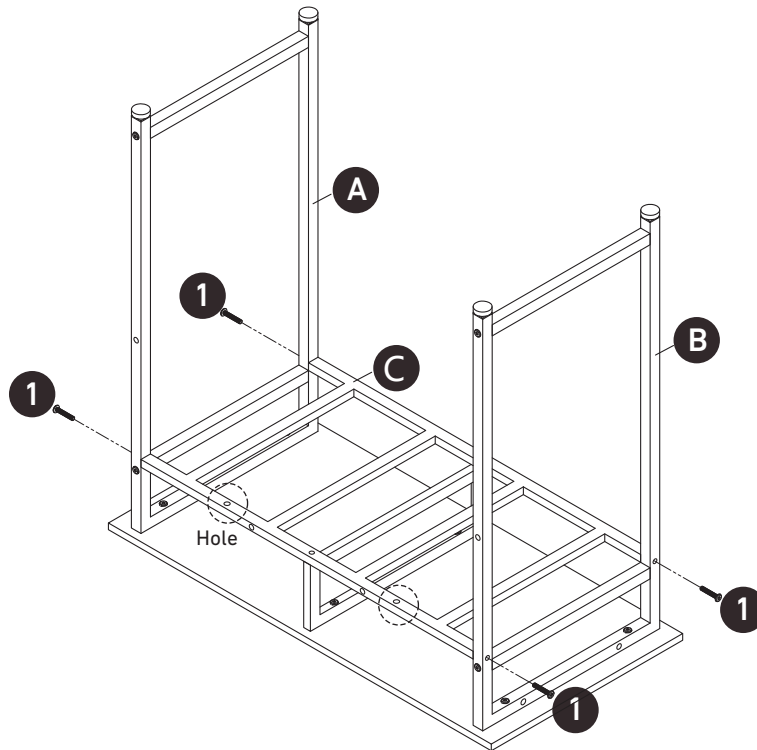
NOTE: DO NOT tighten the bolts.

Step 4



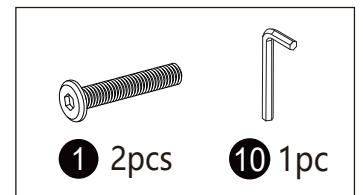
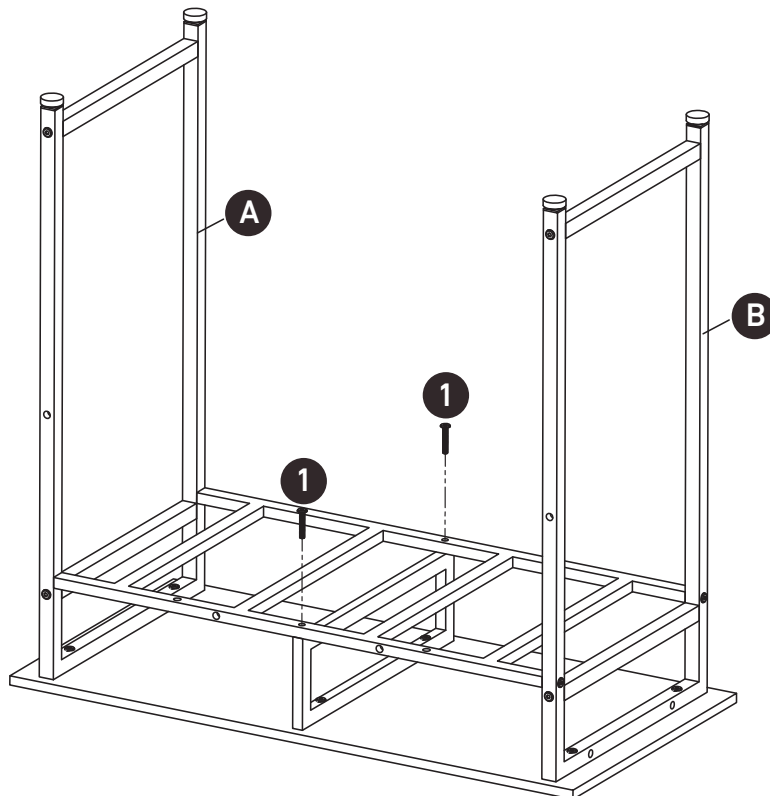
NOTE: DO NOT tighten the bolts.

Step 5



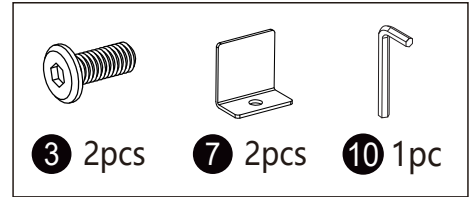
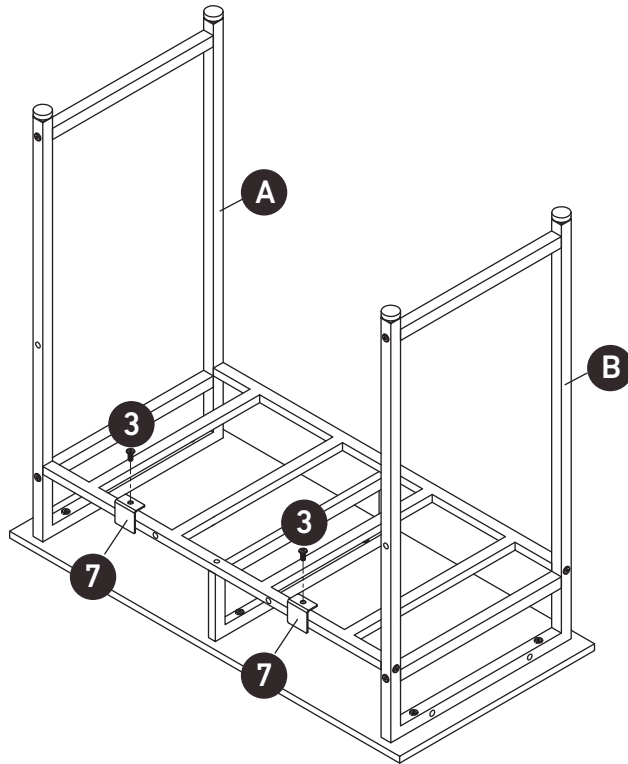
NOTE: DO NOT tighten the bolts.

Step 6



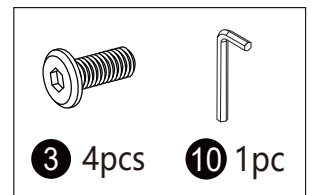
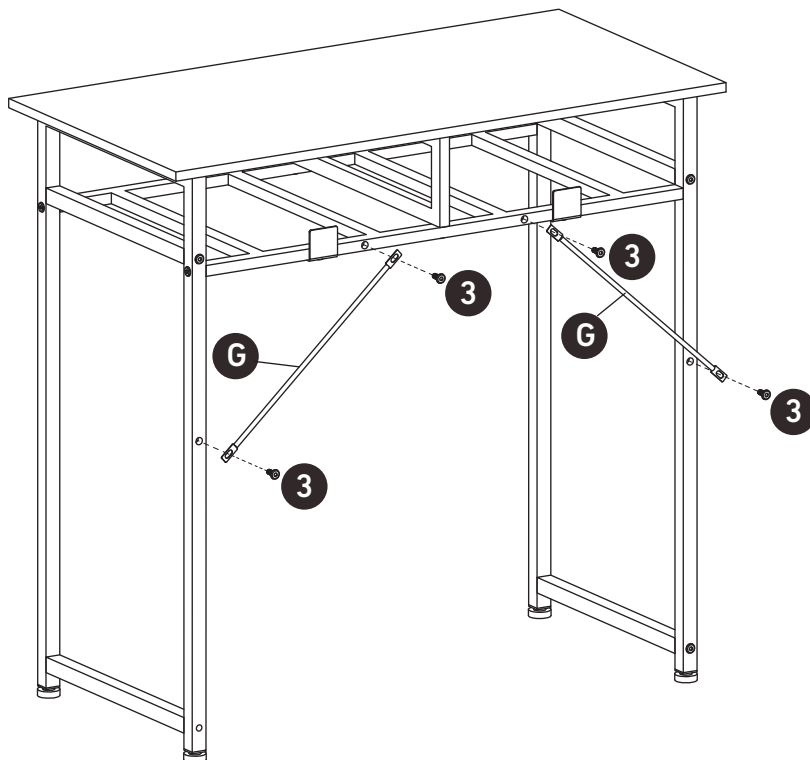
NOTE: DO NOT tighten the bolts.

Step 7



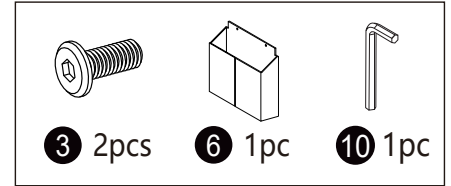
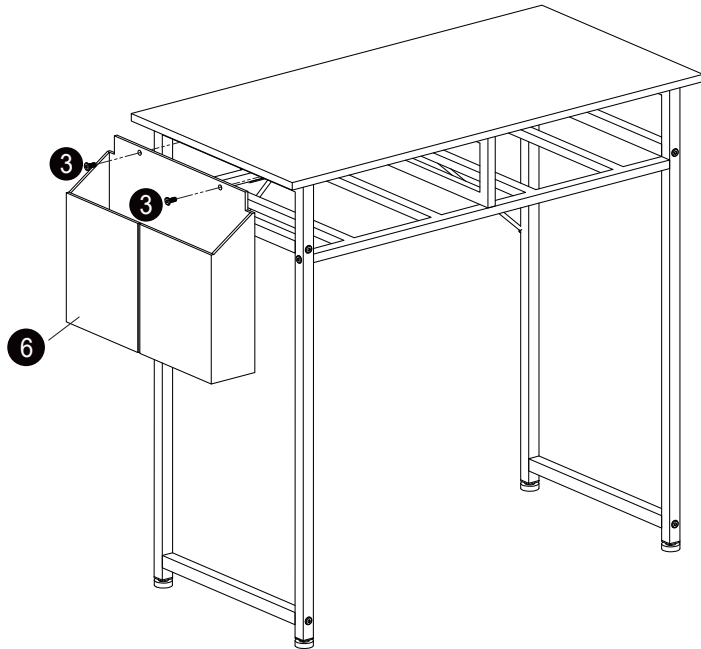
NOTE: DO NOT tighten the bolts.

Step 8



NOTE: DO NOT tighten the bolts.

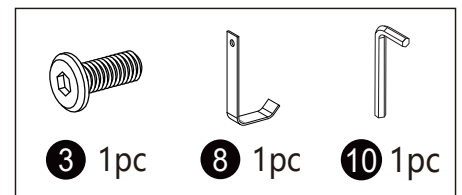
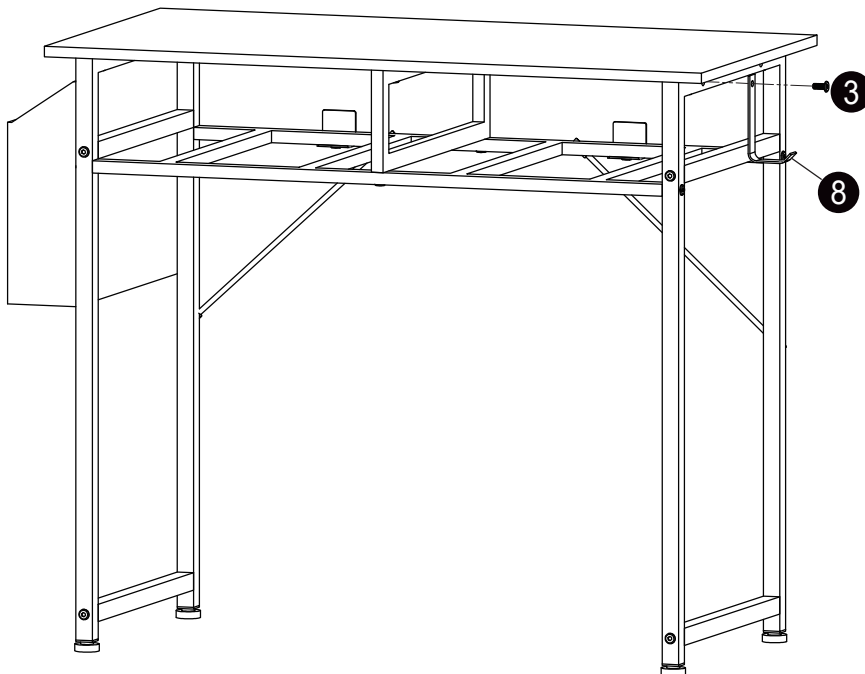
Step 9



Components 6 can be fitted on both sides and the user can choose the position as required. The illustration shows the left side installation.

NOTE: DO NOT tighten the bolts.

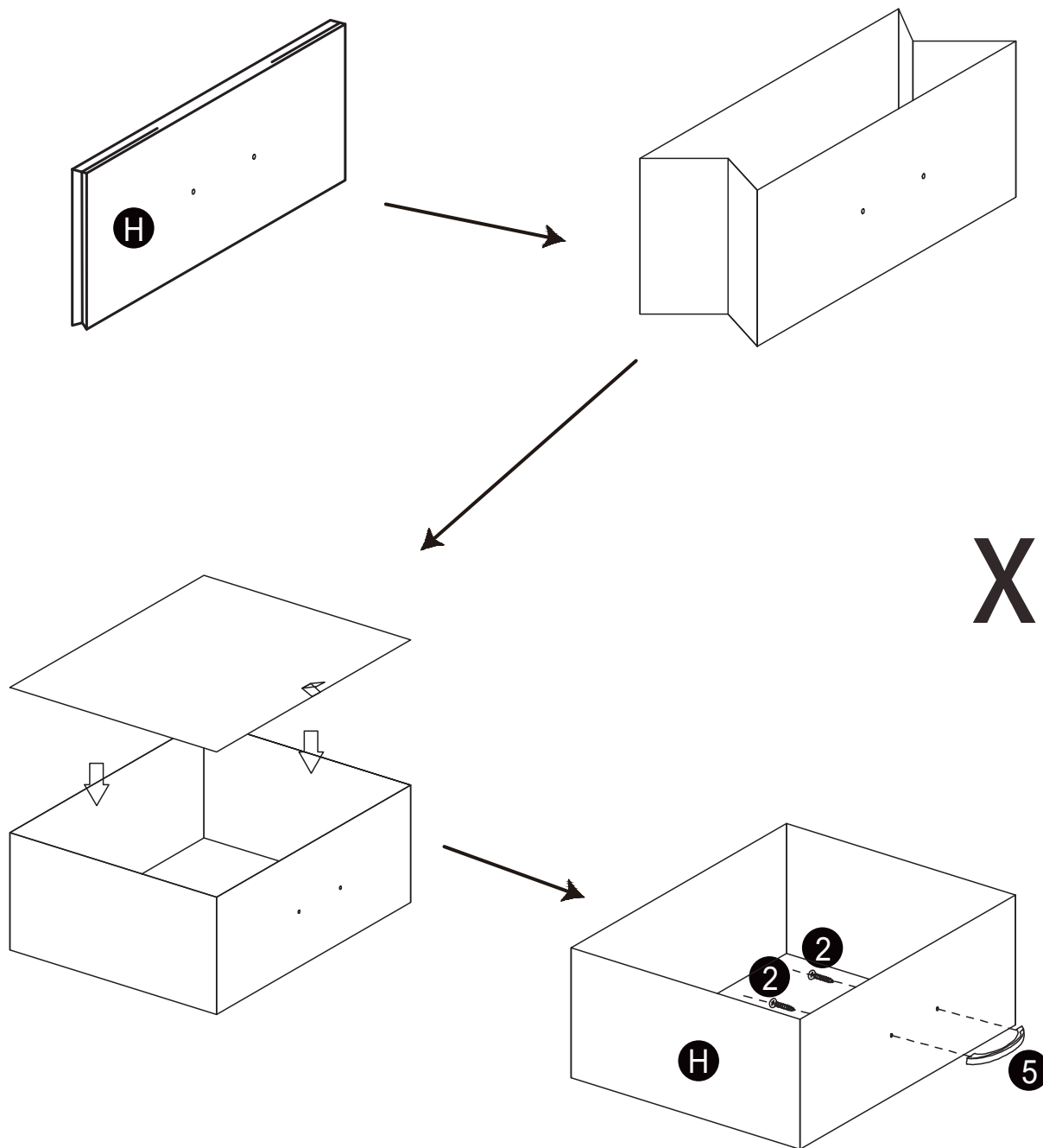
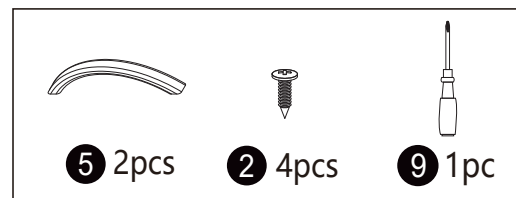
Step 10



Fitted in the forward position.

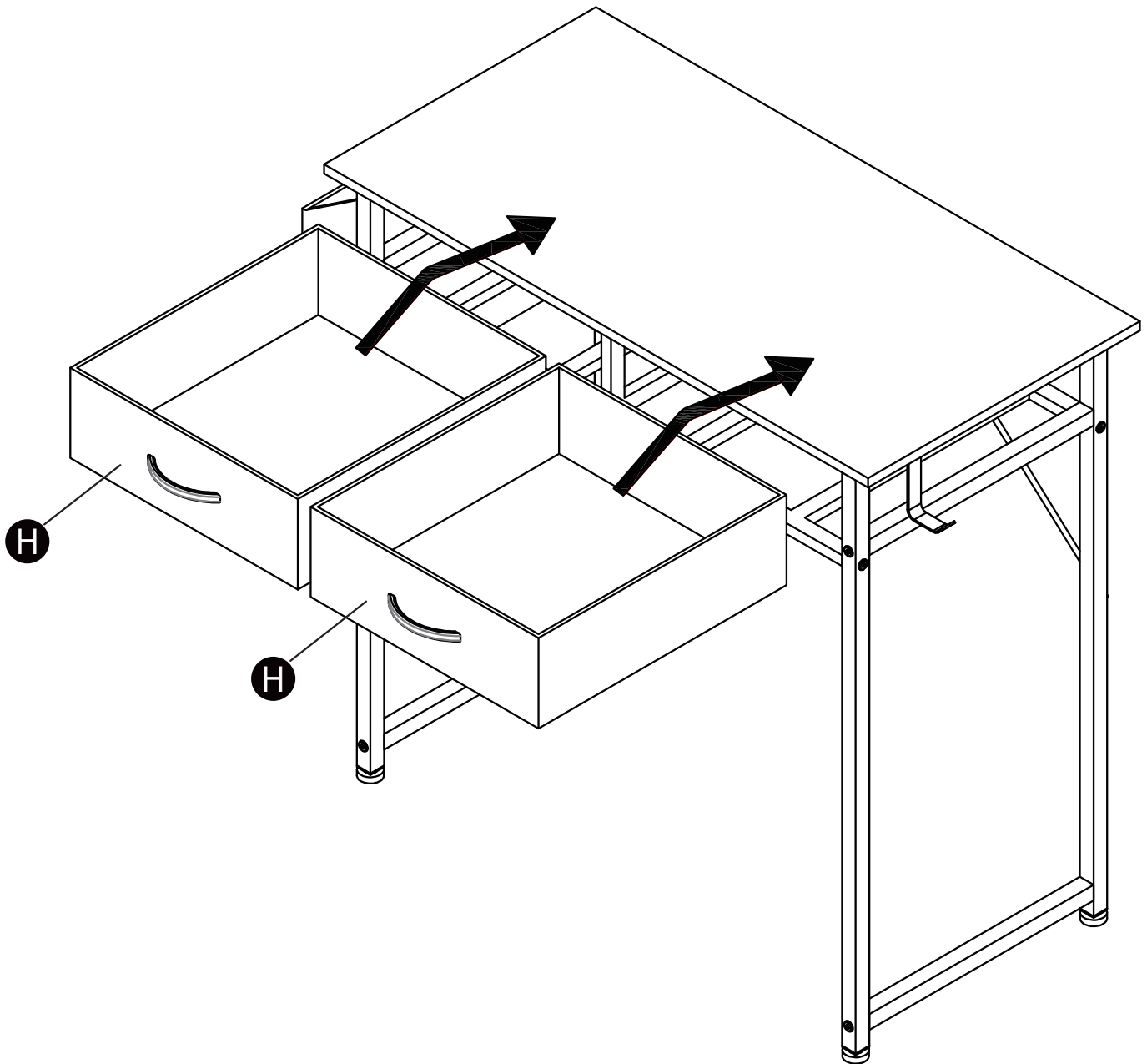
NOTE: DO NOT tighten the bolts.

Step 11



NOTE: DO NOT tighten the bolts.

Step 12



After all screws are tightened, if the table wobbles, use part 4 to adjust for leveling.

NOTE: Tighten all the bolts !

