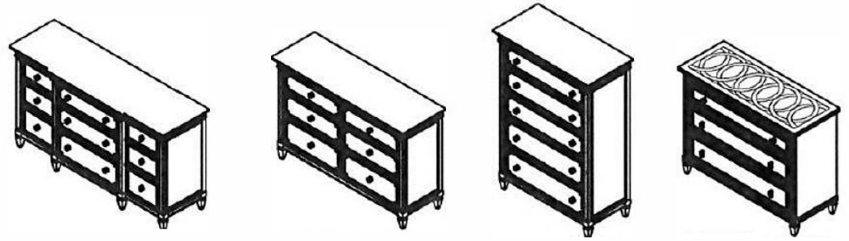


# ASSEMBLY INSTRUCTIONS



## BEFORE YOU START:

1. Check the parts against the parts list to make sure all items are present.
2. Assemble your furniture on a soft, flat surface to avoid scratching the finish.
3. **CAUTION:** Do not over tighten screws, nuts or bolts during assembly.
4. Your furniture may require occasional tightening.



## INSTRUCTIONS:

1. Turn the case top upside down on a clean soft surface .

2. Screw hanger bolt on Bun foot into spring insert on bottom base. Secure all bun feet and make sure they align together. see Figure 1.

NOTE: The insert has a spring which allows up to a 3/4 turn to align the square Bun Foot with the base shape.

Bun foot

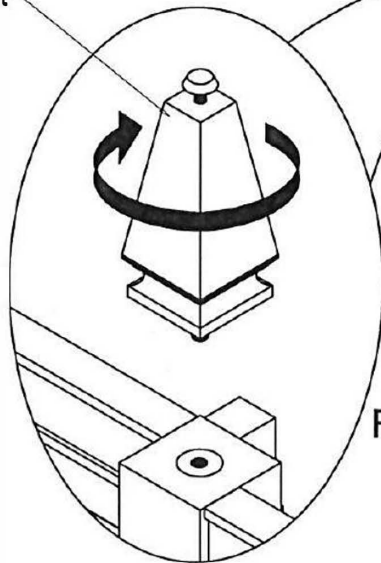
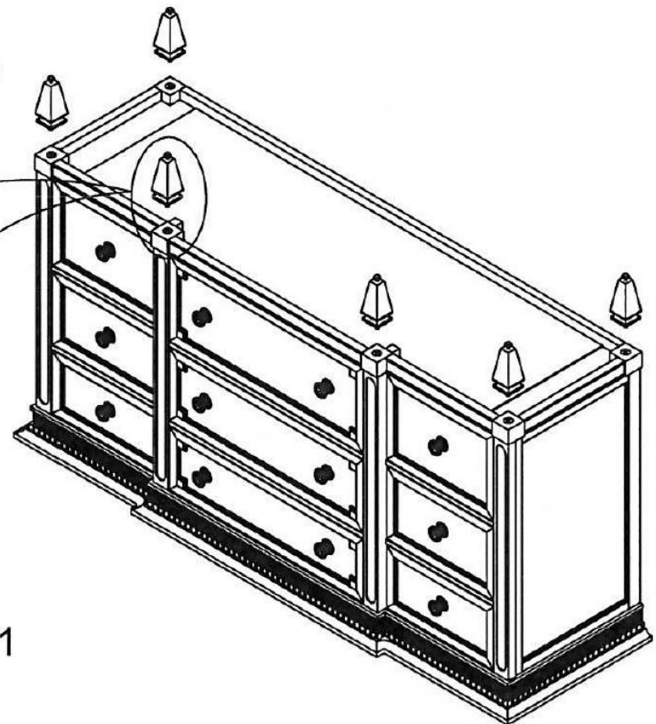


Figure 1



Thank you for purchasing furniture