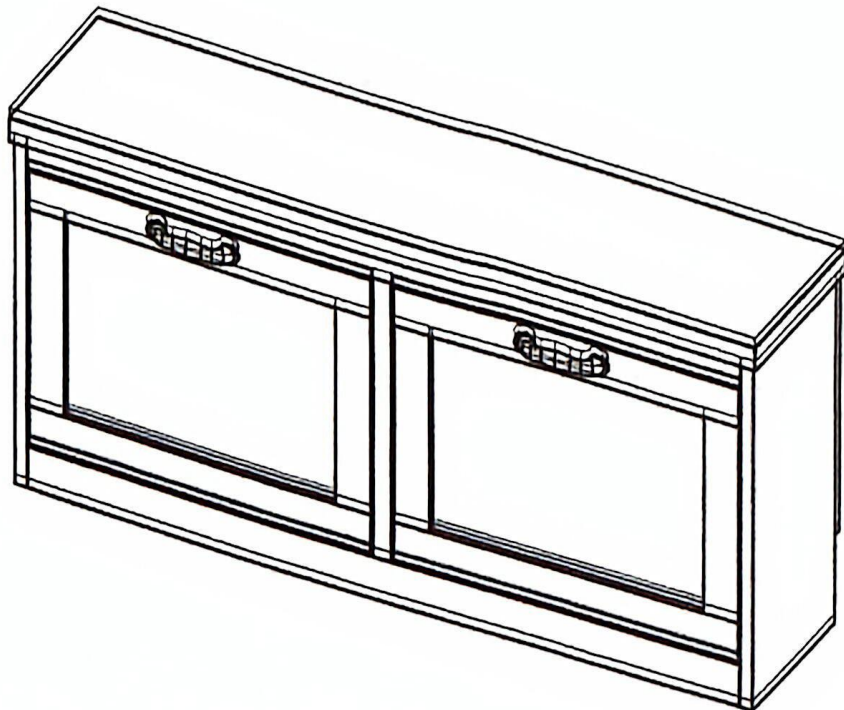


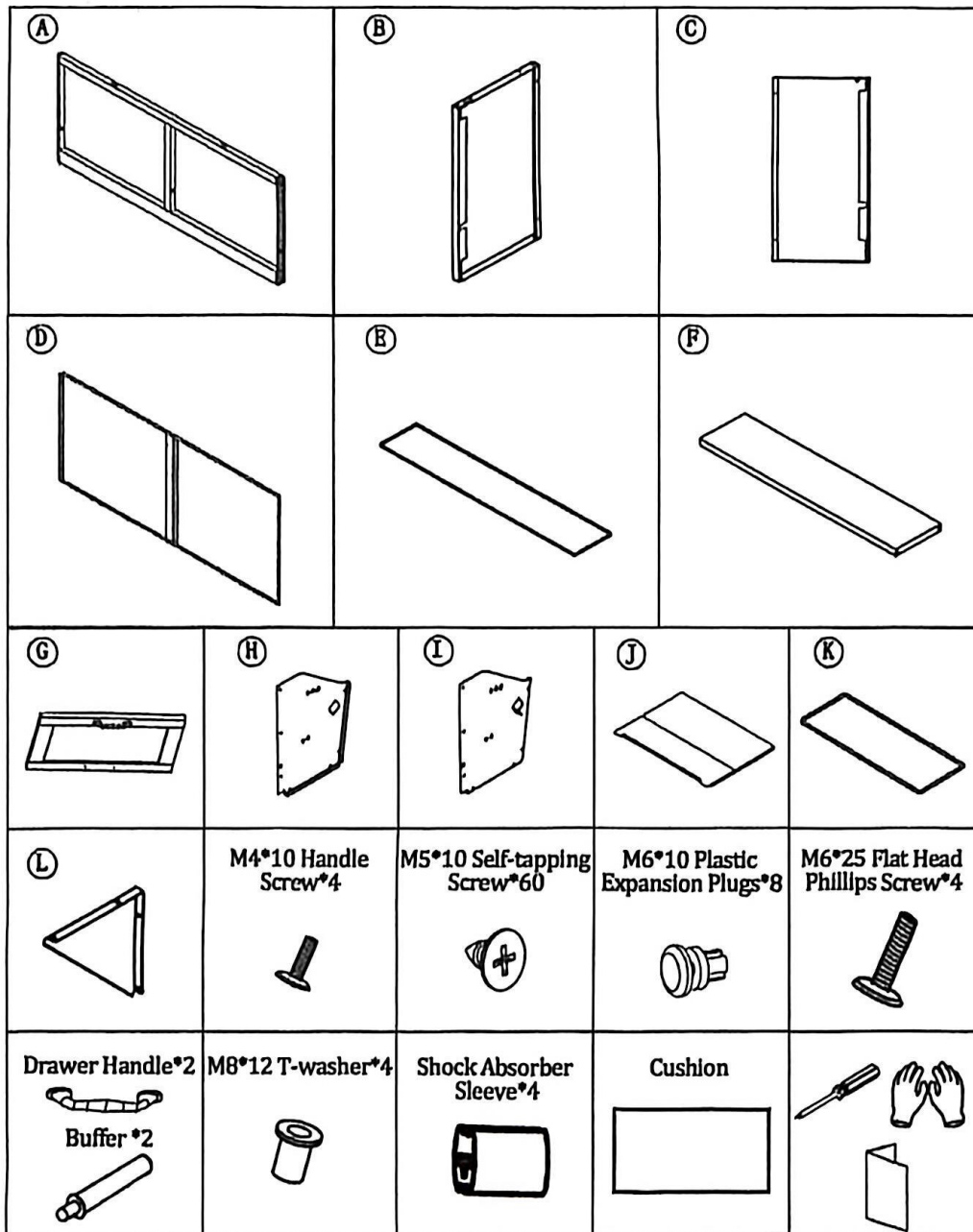
SHOE STORAGE CABINET

Installation & Assembly



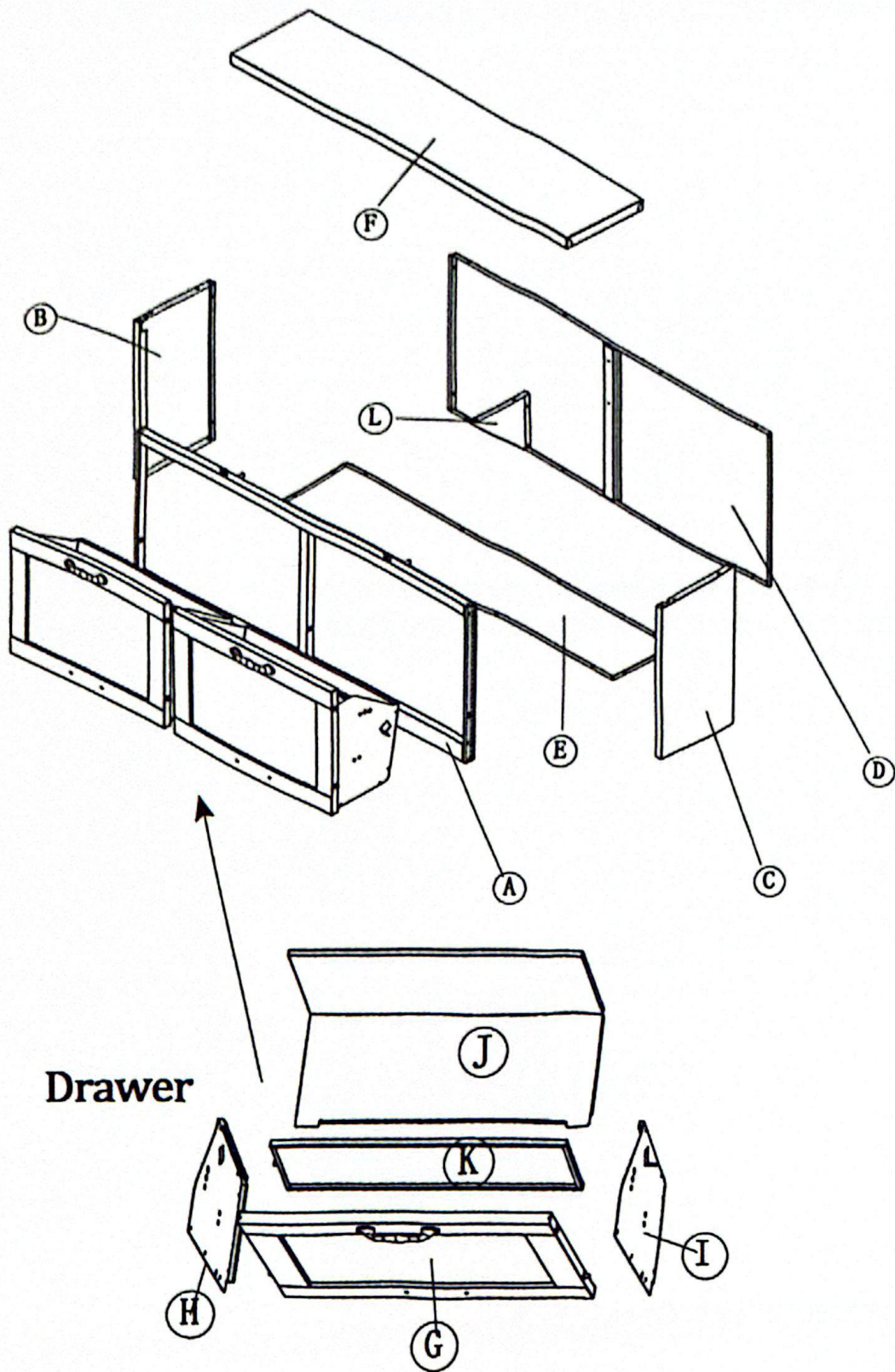
INSTALLATION INSTRUCTIONS

Hi my friend, thank you for purchasing and we finally meet! In order to use the product better please take a few minutes to read this manual. If any parts are missing or goods are damaged, please contact us, and we will provide you with a satisfactory solution.

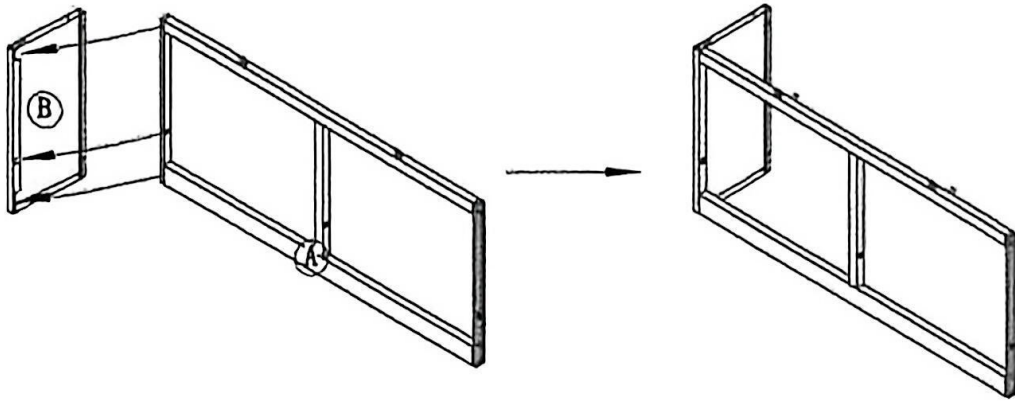


Please check if the accessories are complete before installation, detailed assembly instructions are in the link, it will surely help you.

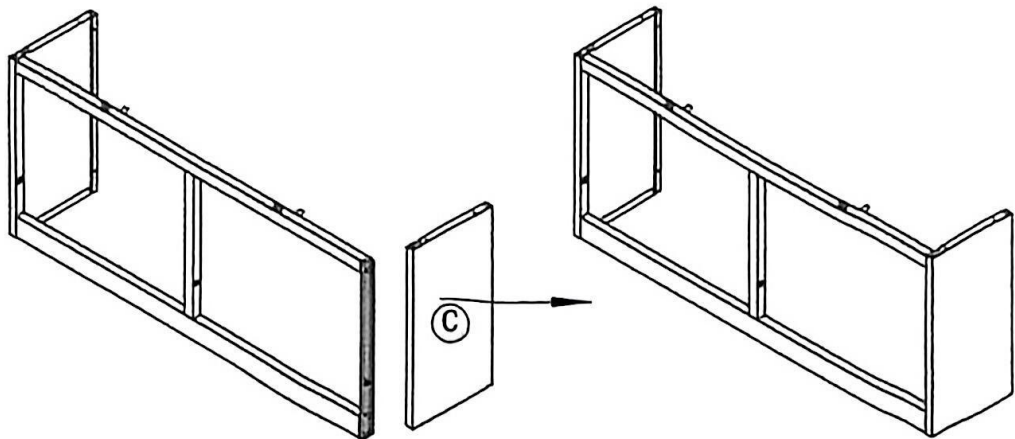
INSTALLATION INSTRUCTIONS



INSTALLATION INSTRUCTIONS

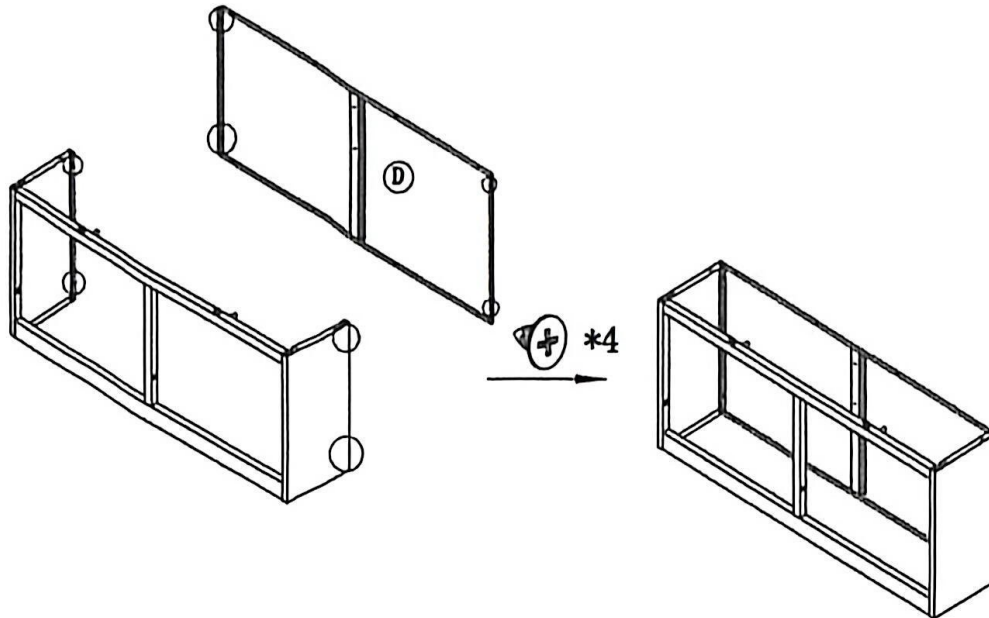


1. Snap the side panel to the front frame.

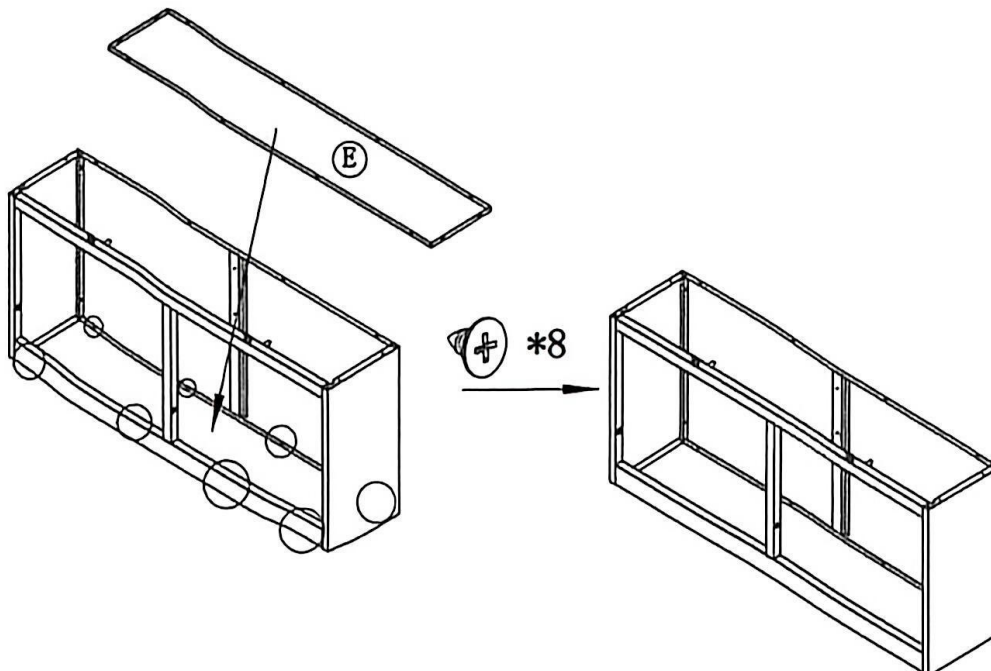


2. Install the right side in the same way.

INSTALLATION INSTRUCTIONS

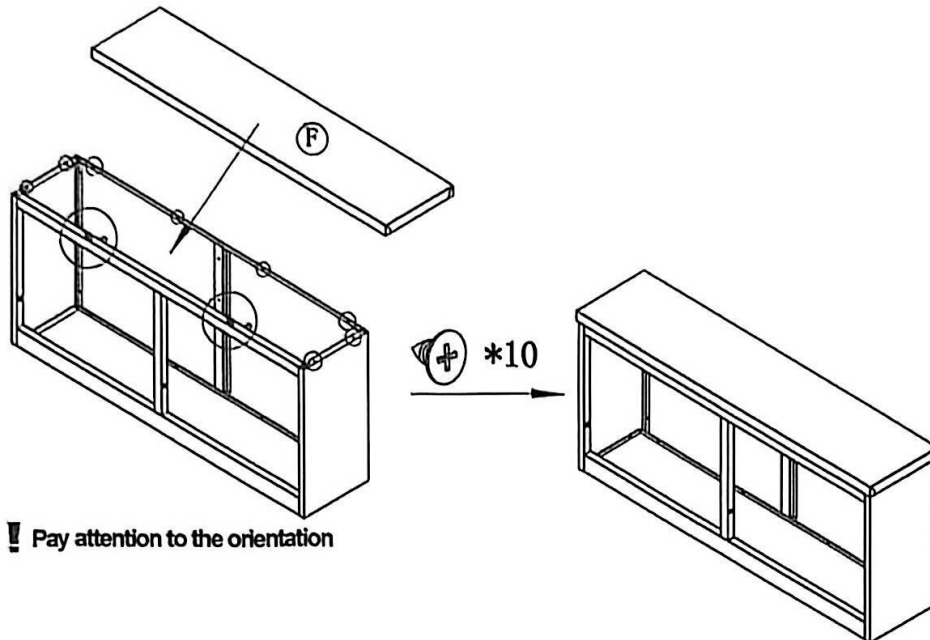


3. Attach the back to the side panels with self-tapping screws.

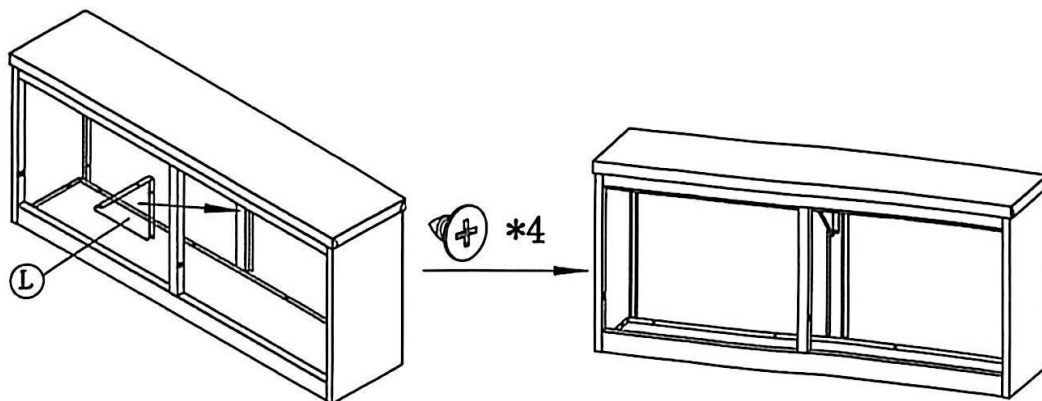


4. Base plate face down, secured all around with self-tapping screws.

INSTALLATION INSTRUCTIONS

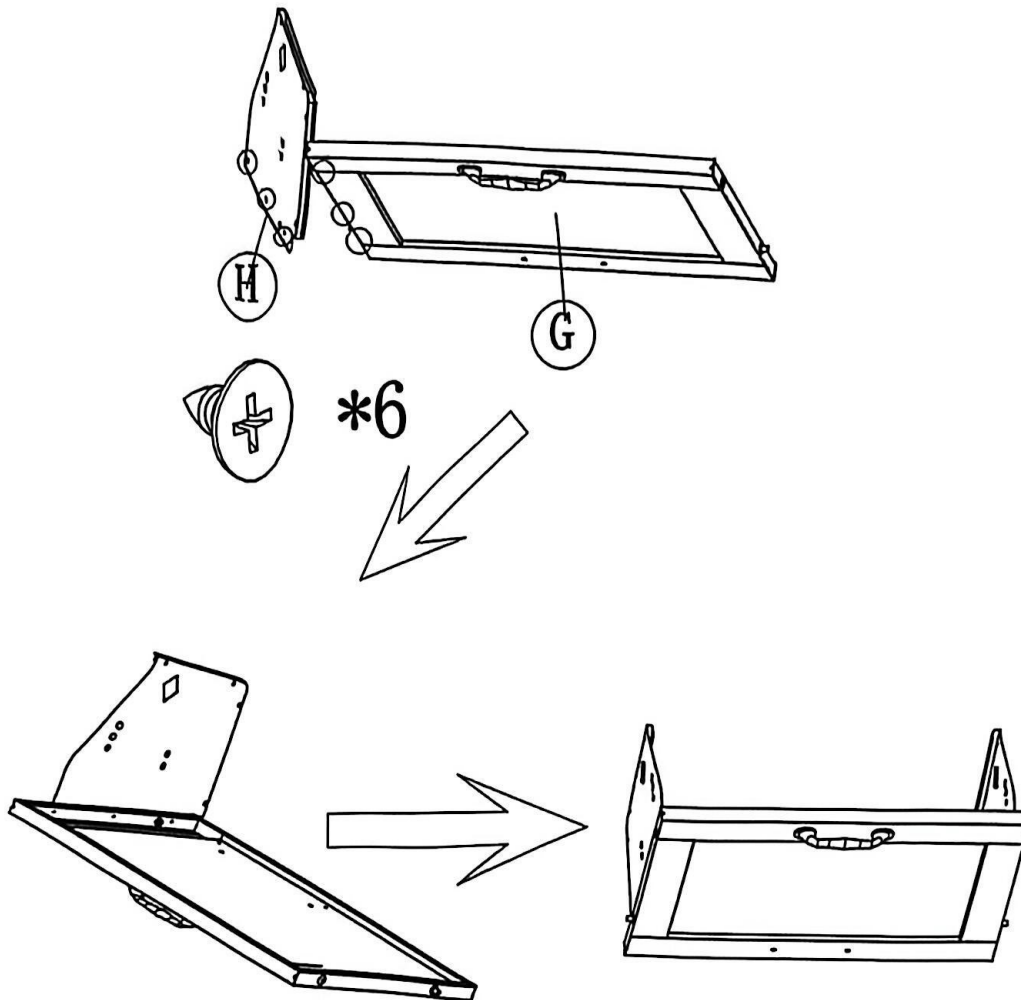


5. Snap the top plate above the shoe cabinet, and secure with self-tapping screws.



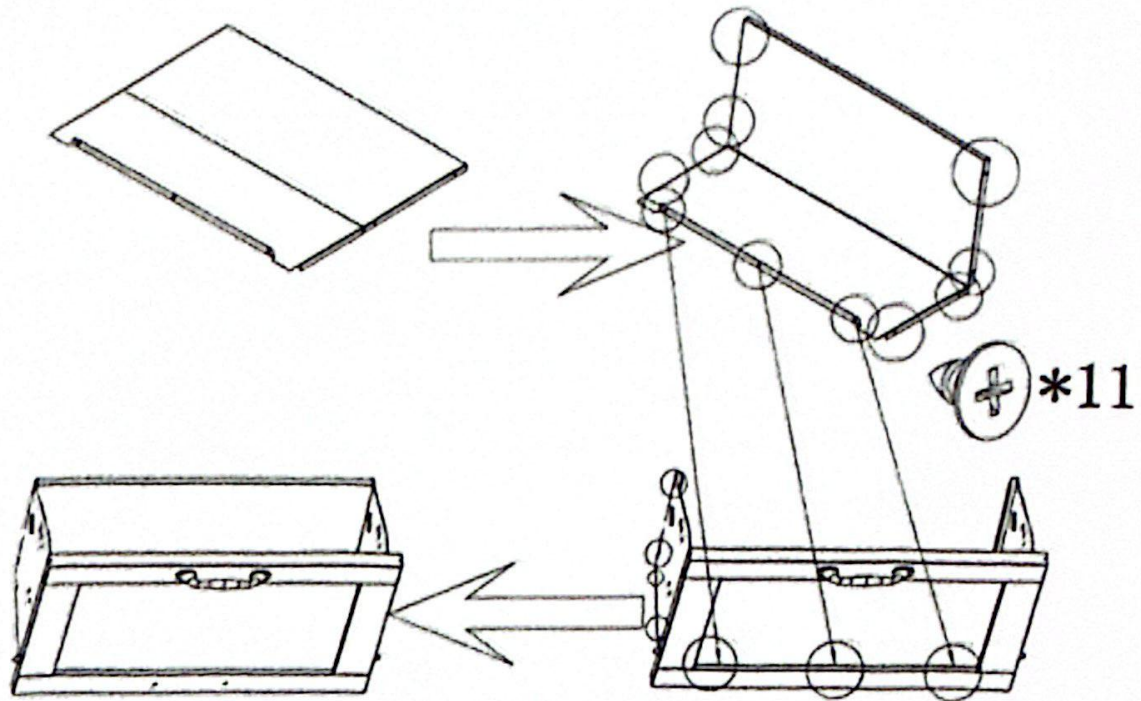
6. Align the triangular reinforcements with the mounting holes in the back and top panels and attach with self-tapping screws.

INSTALLATION INSTRUCTIONS



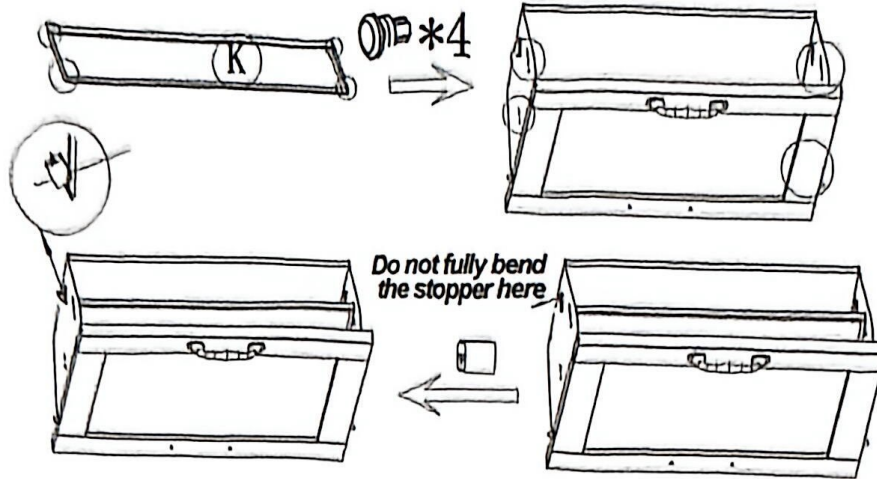
7. Align the drawer side panels with the holes in the door panels, ensuring proper alignment of the shaft holes, then use self-tapping screws to secure them together.

INSTALLATION INSTRUCTIONS

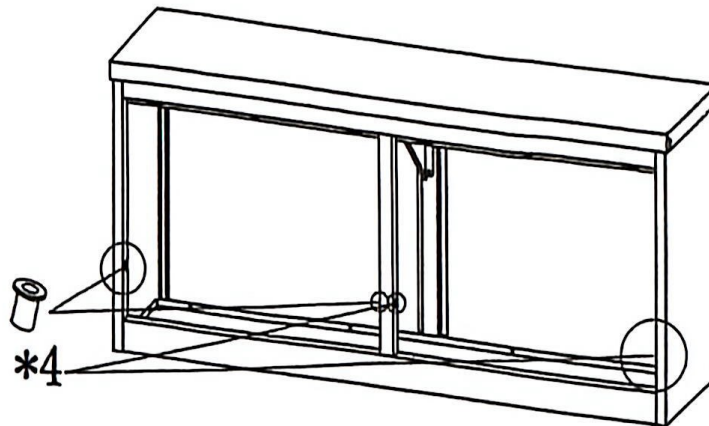


8. Bend the baffle (ensuring the smooth surface faces inwards) then attach it to the side panels and the door panel using self-tapping screws.

INSTALLATION INSTRUCTIONS

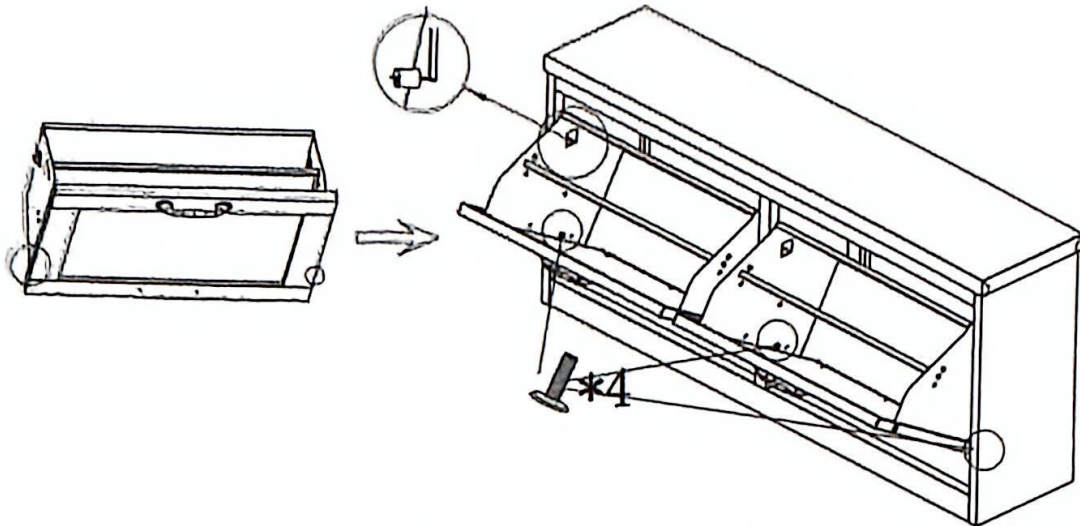


9. Insert the partition into the properly fitted drawer, adjust it to the correct position, and secure it in place using plastic expansion plugs. Then, extend the stopper outward and attach the shock absorber sleeve.

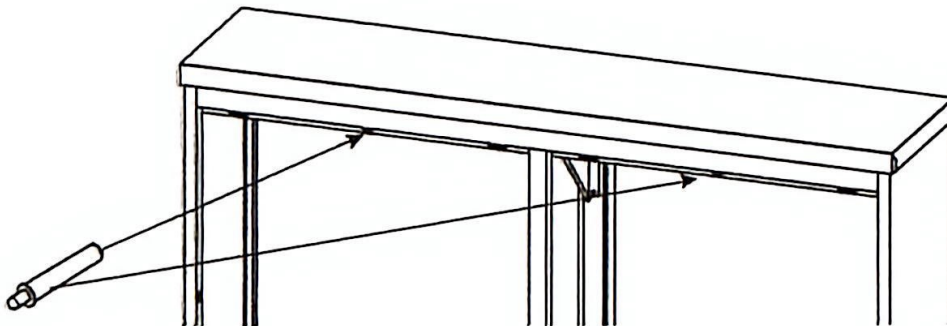


10. Place the washers into the attachment holes in the side frames.

INSTALLATION INSTRUCTIONS



11. Fasten them using flat head screws from inside the drawer to the nuts in the attachment holes. With the drawer partially open and the stopper positioned in the shoe cabinet, bend the stopper along with the shock absorber sleeve to a 90° angle.



12. Place the buffers into the holes in the front frame.

INSTALLATION INSTRUCTIONS



Dear Customer.

Thank you very much for contacting us through your e-mail address.

You are now our VIP member!

Could you please describe your problem in detail?

Attach a picture so we can solve it faster.

We will provide you with a perfect solution.

Best wishes to you!



Please email us to get a special VIP discount code before your next order.



Problem with the order? Please email us, give us a chance to help you firstly.



Do you love your new product? Help others find it by leaving a product review online!