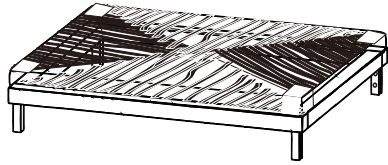
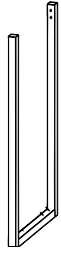


ASSEMBLY INSTRUCTION



X1



X2



X3



M6X10MM/0.39in

X8



M6X35MM/1.38in

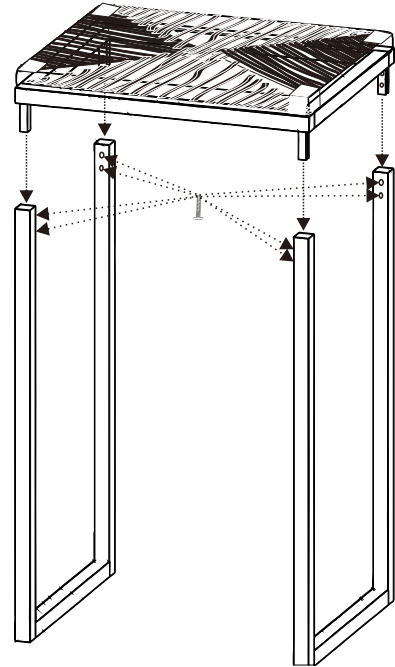
X6



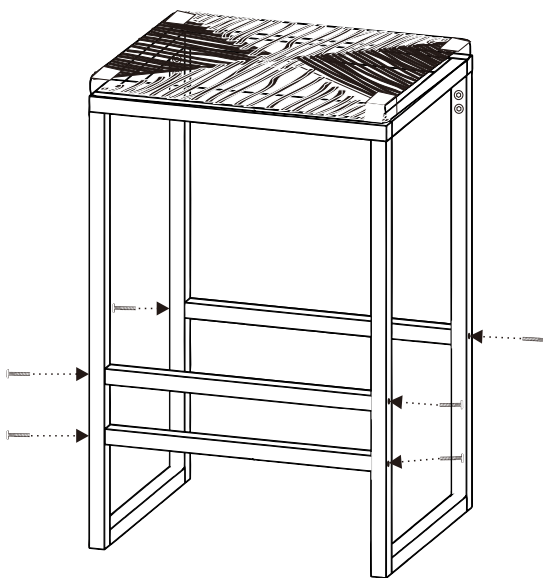
M6X20MM/0.79in

X4

1



2



3

