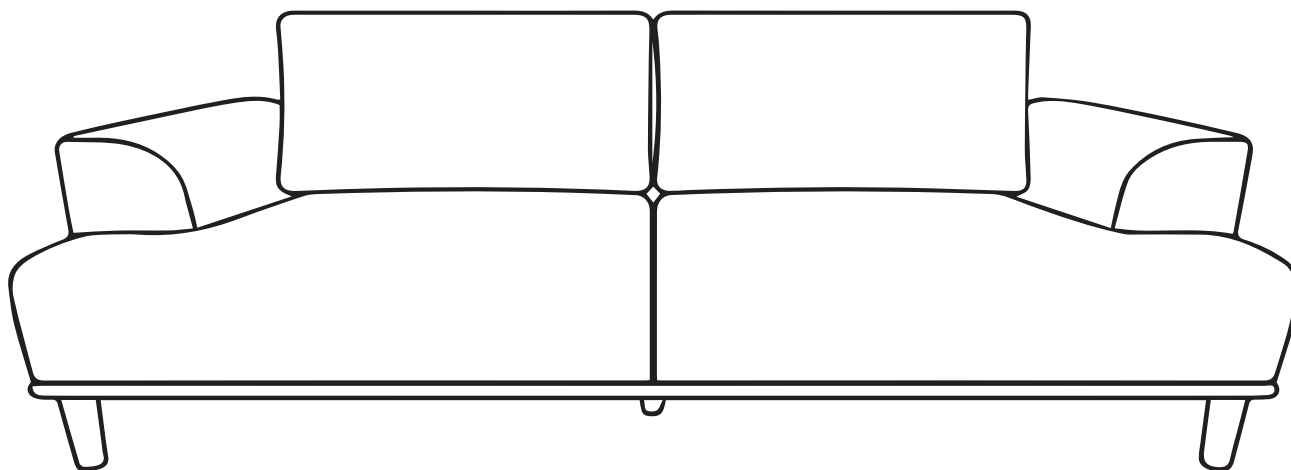


# ASSEMBLY INSTRUCTIONS

SPU: A503 standard sofa



TIME



2 OF PEOPLE



DIFFICULTY

## NOTICE

### Instruction Booklet - Important Safety Information

Thank you for choosing our product. Please review this booklet carefully for essential safety information and keep it for future reference.

- Upon receiving the product, ***ensure all parts are present and intact*** before proceeding with installation. Follow the entire installation instructions provided.
- During installation, exercise caution and refrain from immediately tightening screws. Secure all screws to 80% before final tightening.

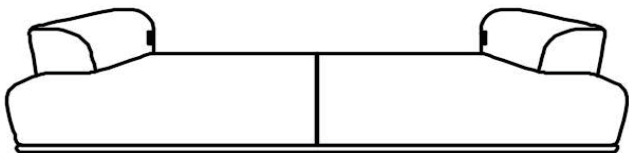
Returns are accepted only for items in their ***original, unopened condition***.



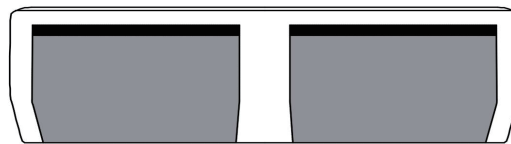
**Before installation, please check that the parts are all included !**

# Carton

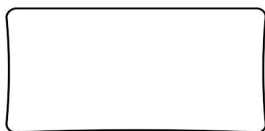
Materials ▾



A\*1



B\*1



C\*2



D\*5



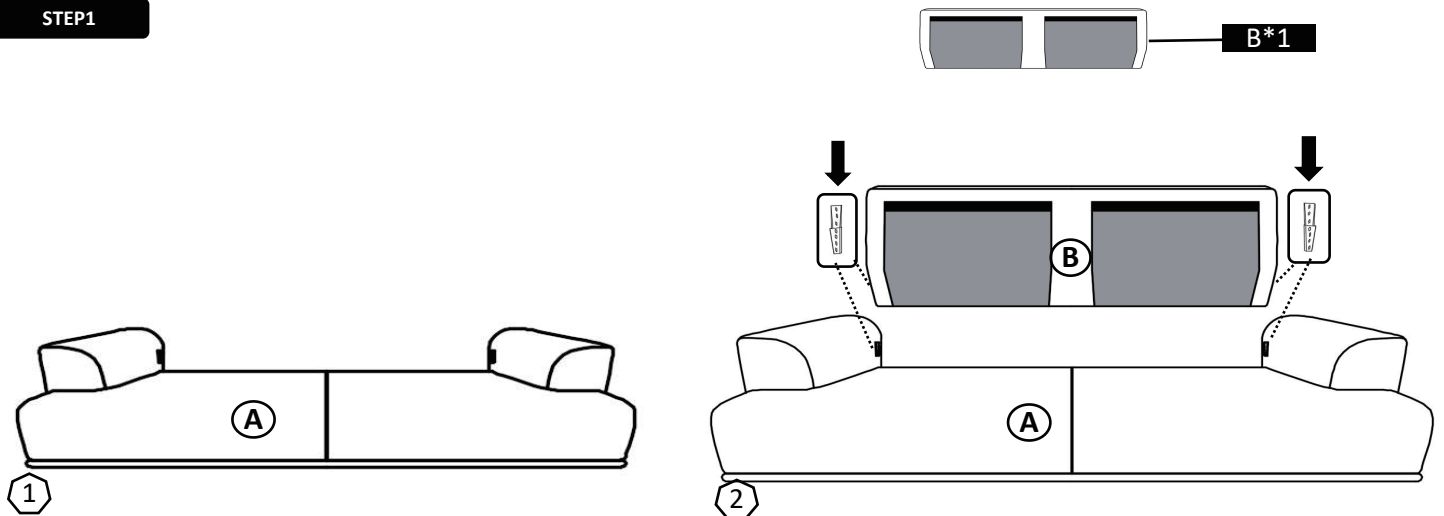
E\*5

BOX-A

# Installation Steps

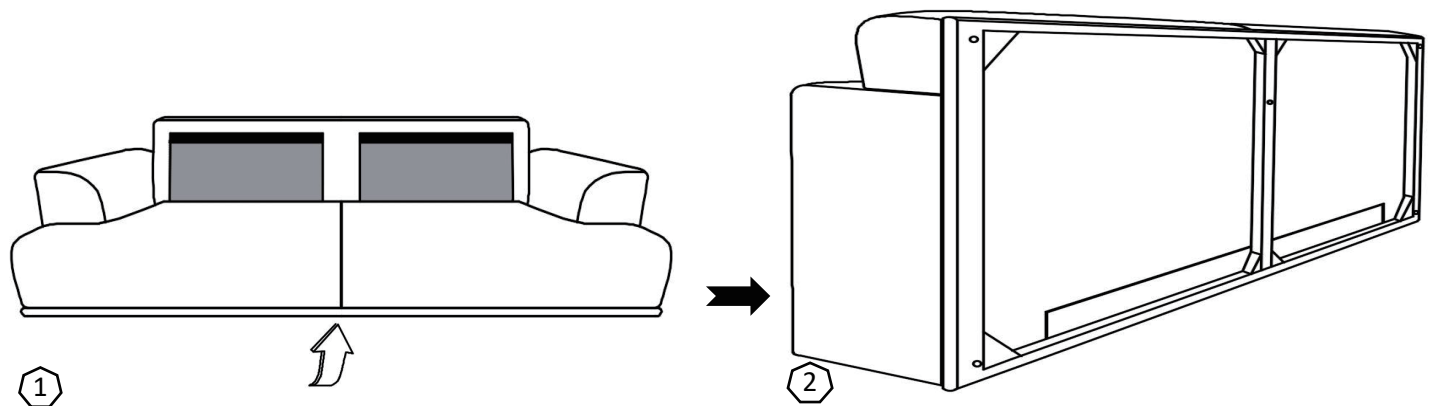
Materials ▾

## STEP1



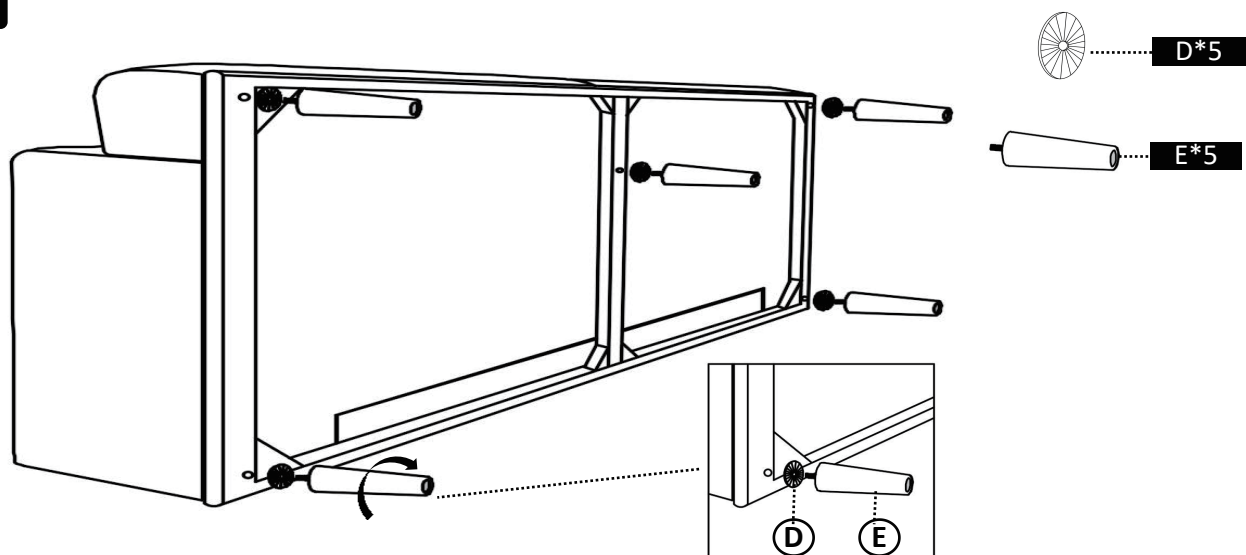
1. Put the sofa seat frame smoothly
2. Insert the sofa back into the iron smoothly as shown

## STEP2



Flip the sofa as shown in Figure 2

## STEP3

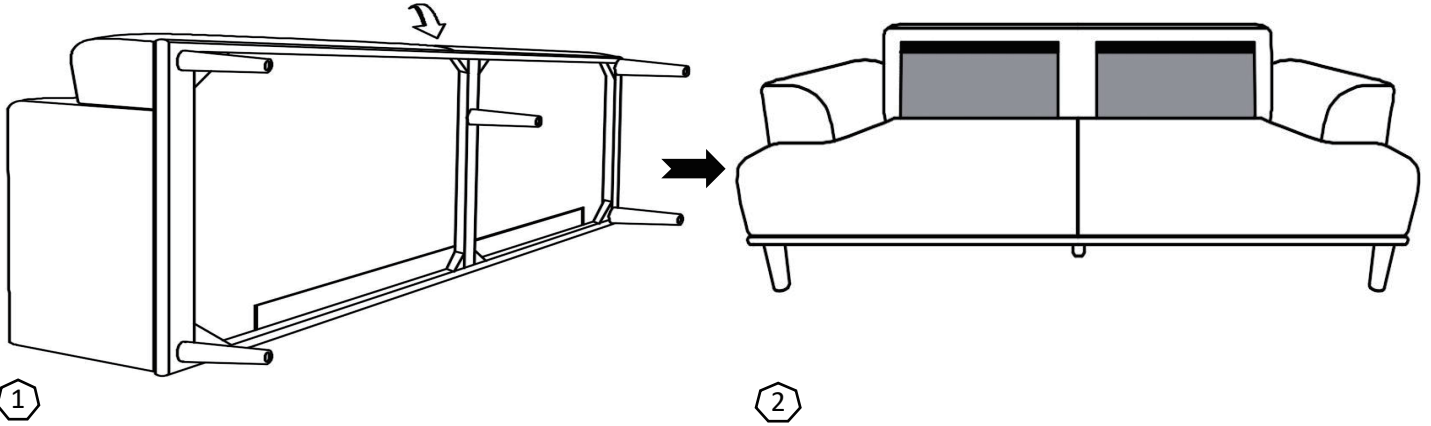


Tighten the 5 wooden feet as shown

# Installation Steps

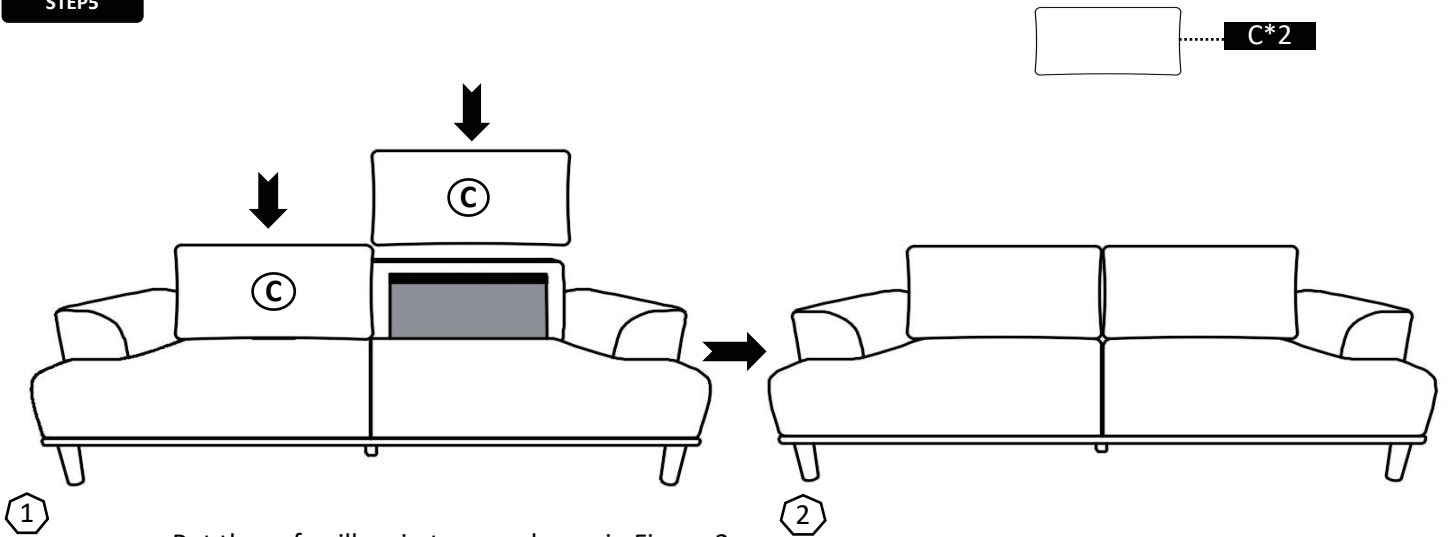
Materials ▾

## STEP4



Then flip the sofa as shown in Figure 2

## STEP5



Put the sofa pillow in turn as shown in Figure 2

# Frequently Asked Questions

We understand that receiving damaged or defective products can be disappointing, and we're here to assist you every step of the way. Here's how to address common concerns and initiate a damage claim:

## **1.What should I do if my shipment is damaged or products received are defective?**

We're genuinely sorry to hear about any inconvenience caused. Please reach out to us promptly, and our team will prioritize resolving the matter swiftly and effectively, please retain the original box in case a return is required.

## **2.Can I return the product if I'm not satisfied?**

While we uphold stringent quality standards and collaborate with experienced manufacturers, we acknowledge that dissatisfaction may arise. If you're still unsatisfied, of receiving the product. Simply message us with your reasons for return, and we'll facilitate the process.