

Installation Instructions

Product:

Warranty & Customer Service

Warranty:

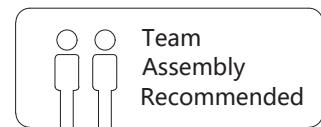
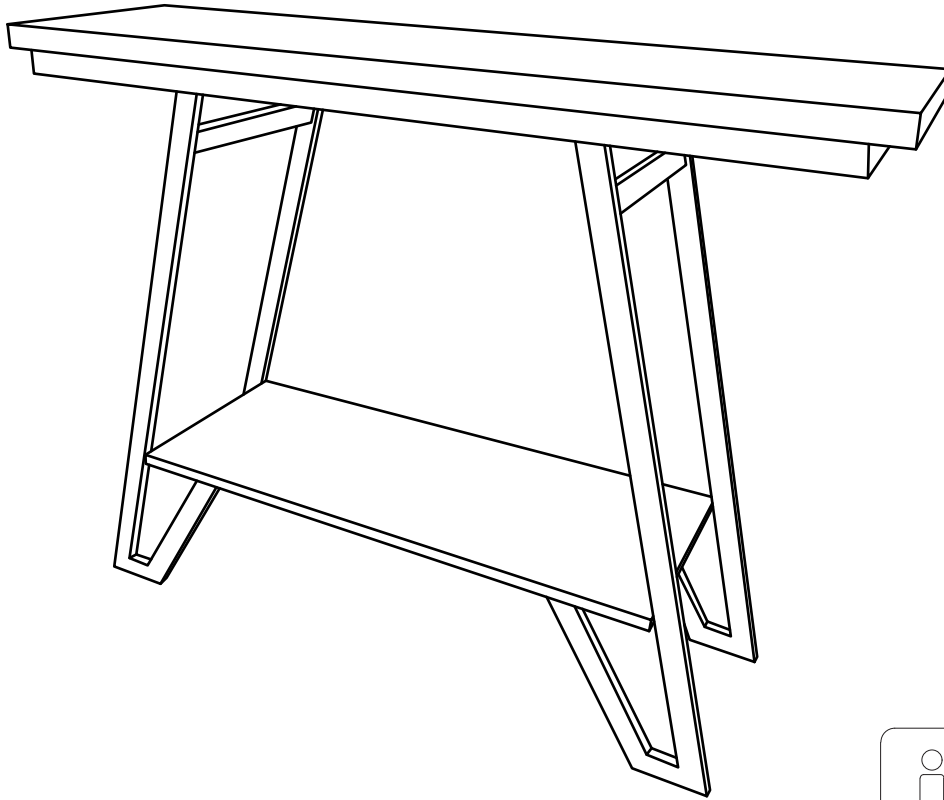
30-day money-back, 6-month replacement.

We will provide you with satisfactory solutions.

Any problems, please contact our Service Team with your Order Number.

isSJHomeService@outlook.com

Assembly Instruction



Trouble Shooting:

Missing/Wrong/Broken parts and installation issues



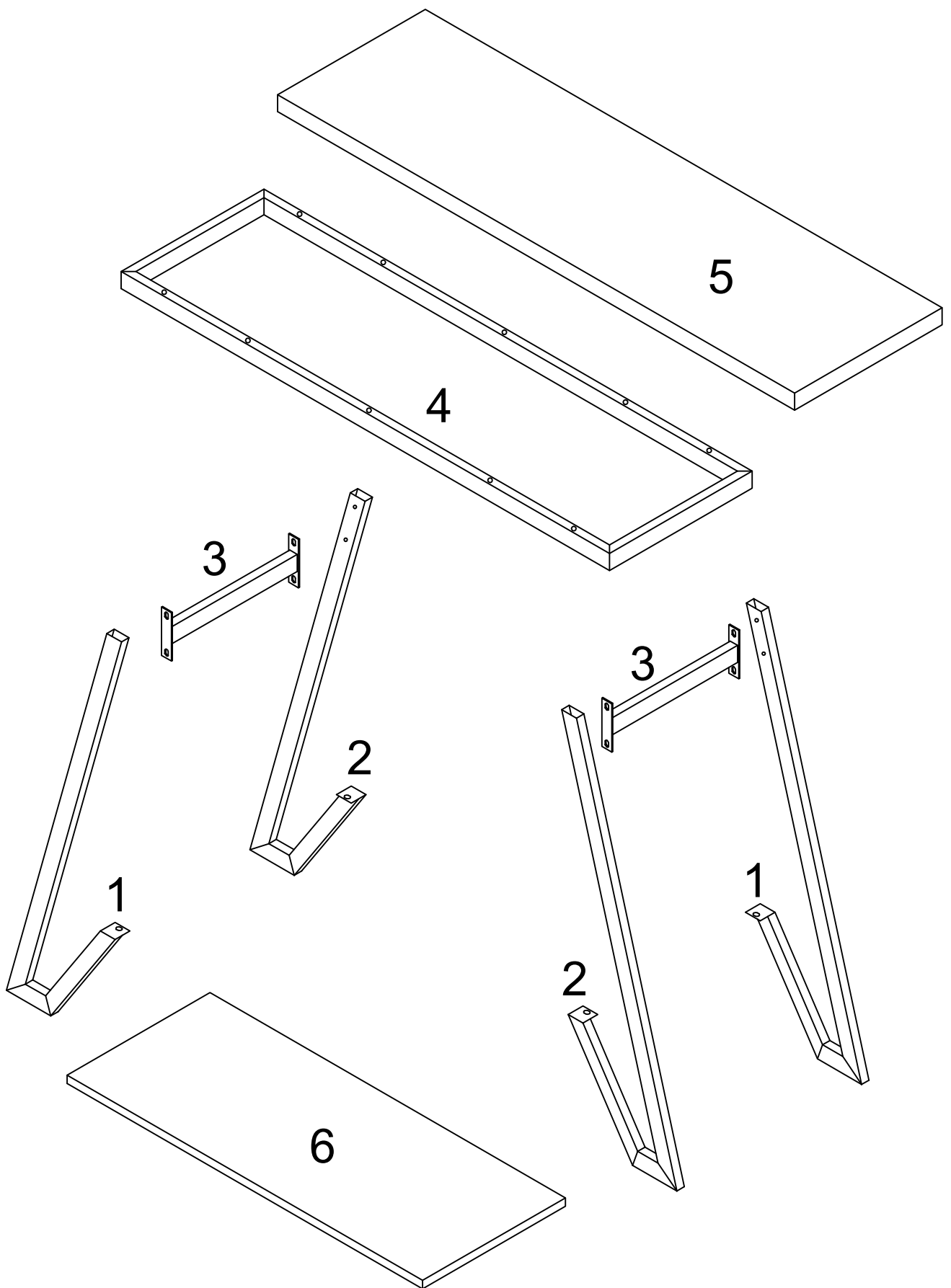
Send email with your question, pic and order NO.



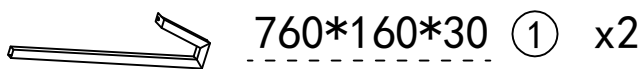
Respond within 24 hours



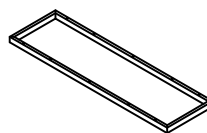
Issue resolved



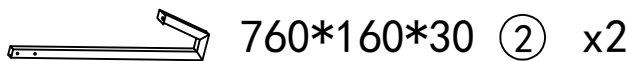
Components



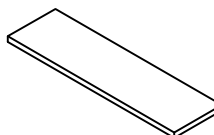
760*160*30 ① x2



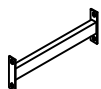
992*290*30 ④ x1



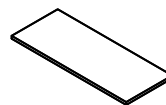
760*160*30 ② x2



1050*300*30 ⑤ x1









260*85*20 ③ x2



722*290*15 ⑥ x1

Screws & Tools

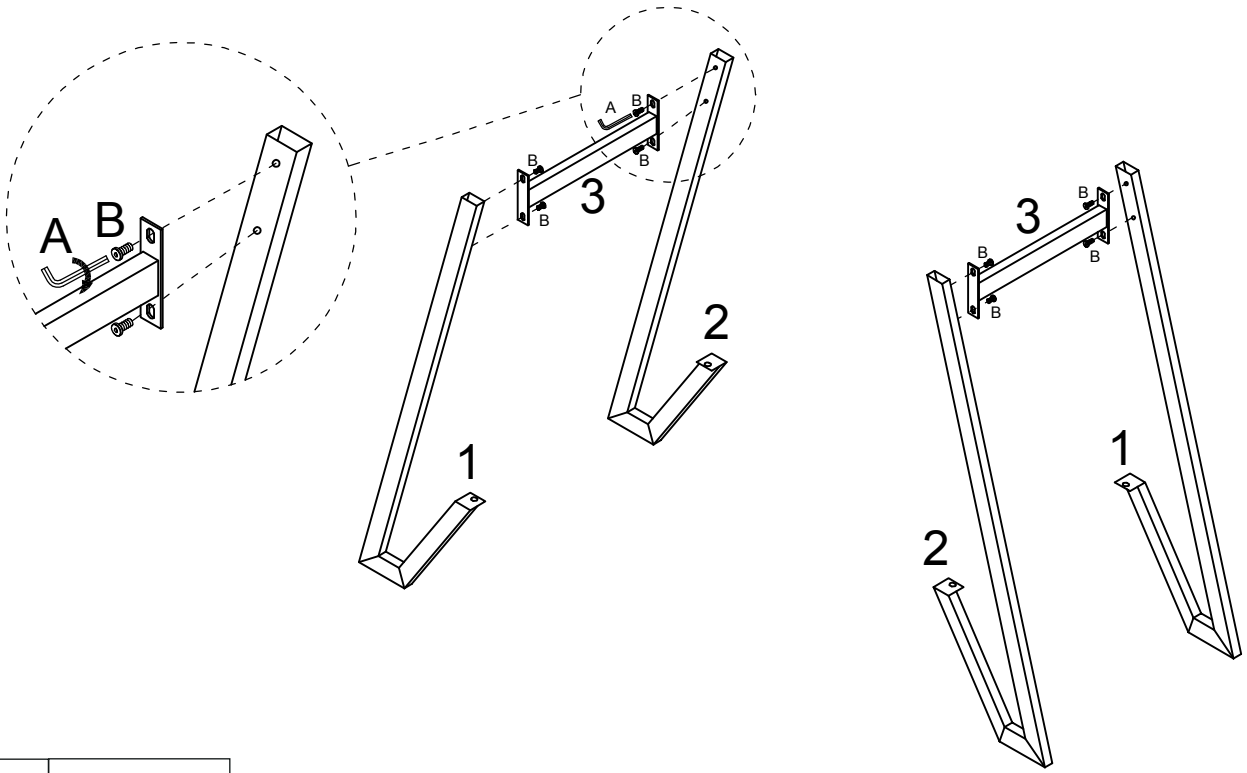
A		M4 mm	*1
B		M6*10mm	*12+1
C		M6*45mm	*10+1



D		180*20mm	*2+1
E		∅8*40mm	*2+1
F			*2+1

Check all the components & screws before assembly.

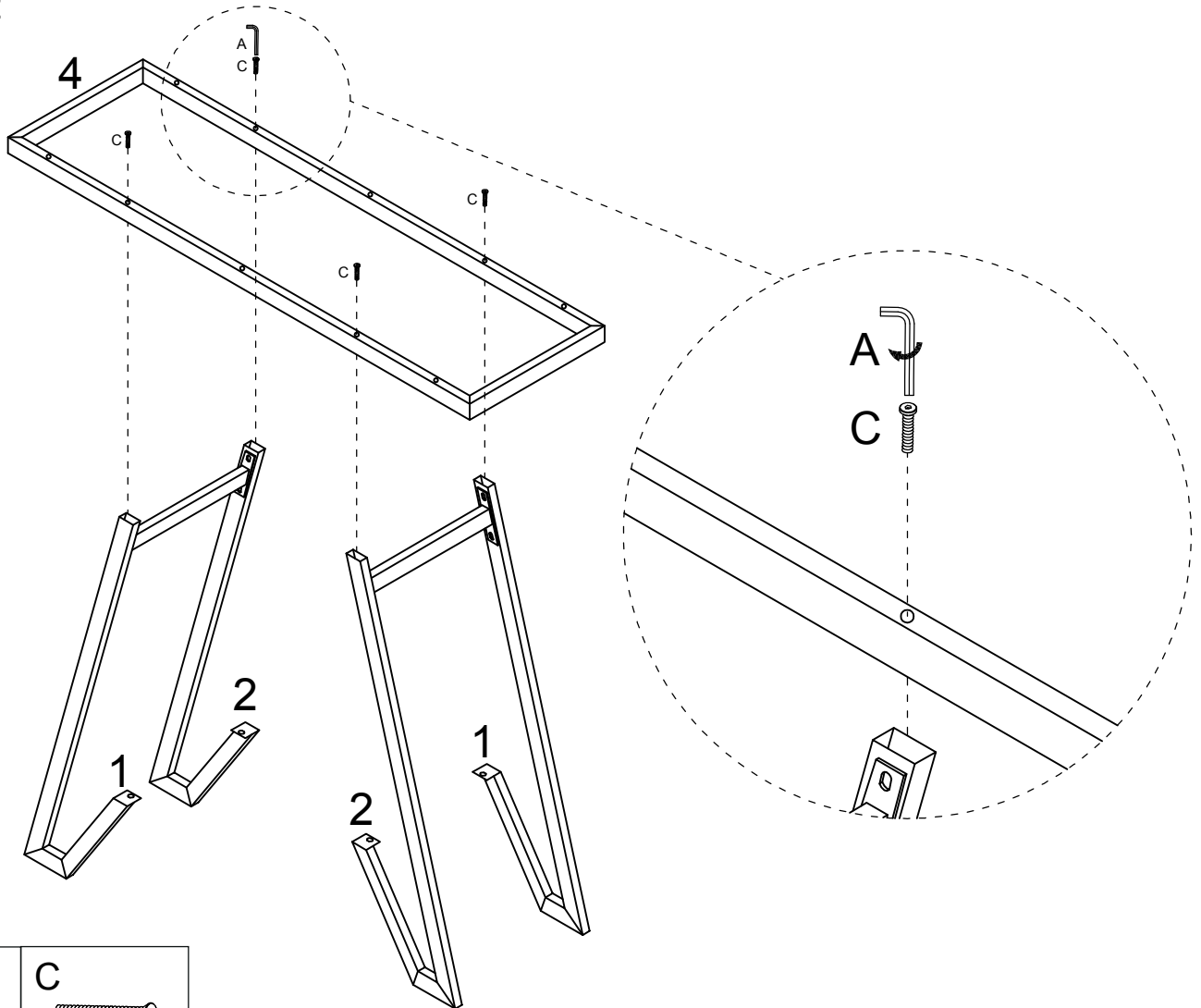
Do not install in case part is missing, contact us to get.

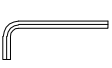

Step 1



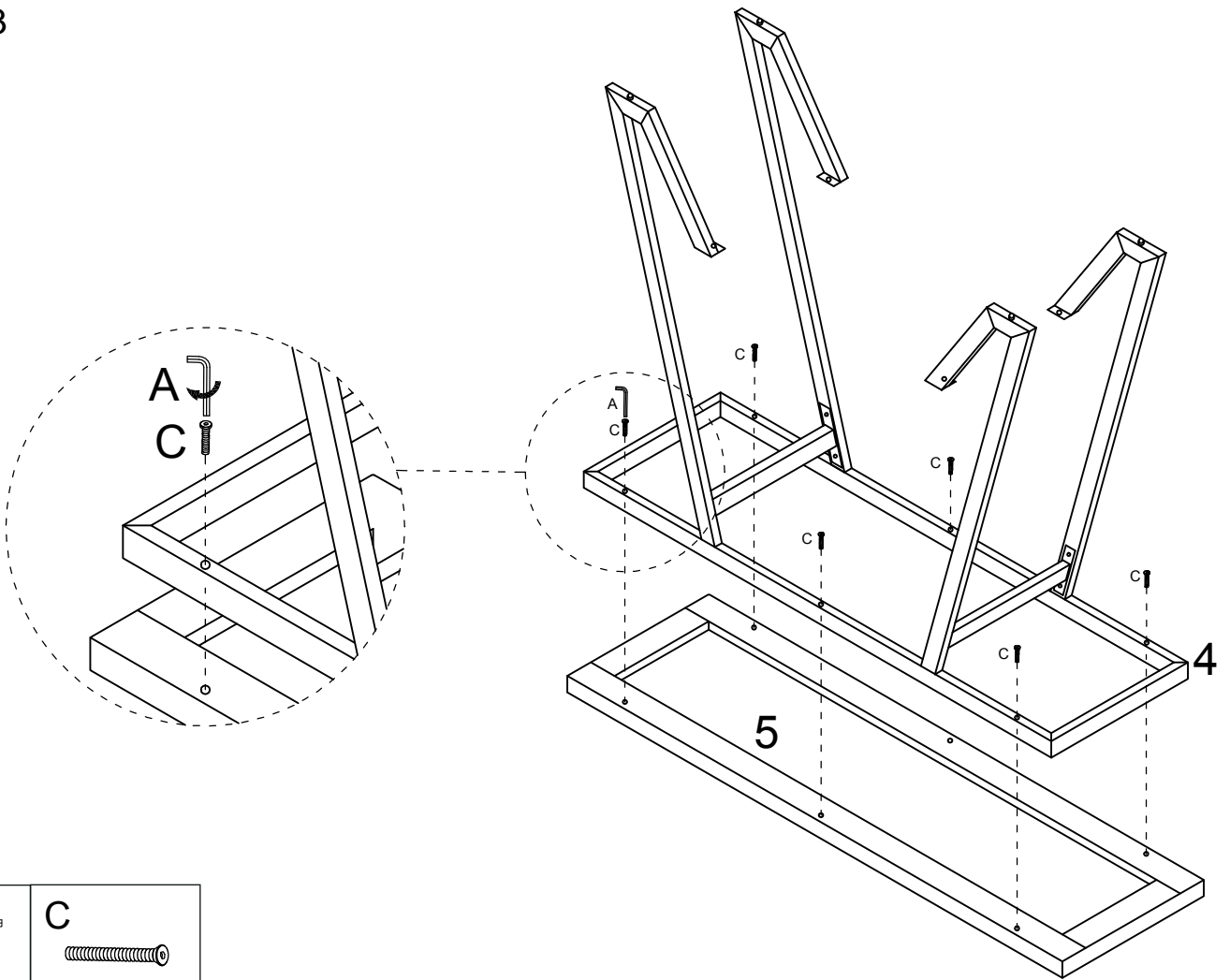
A 	B 
X 1pc	X 8pcs



Step 2



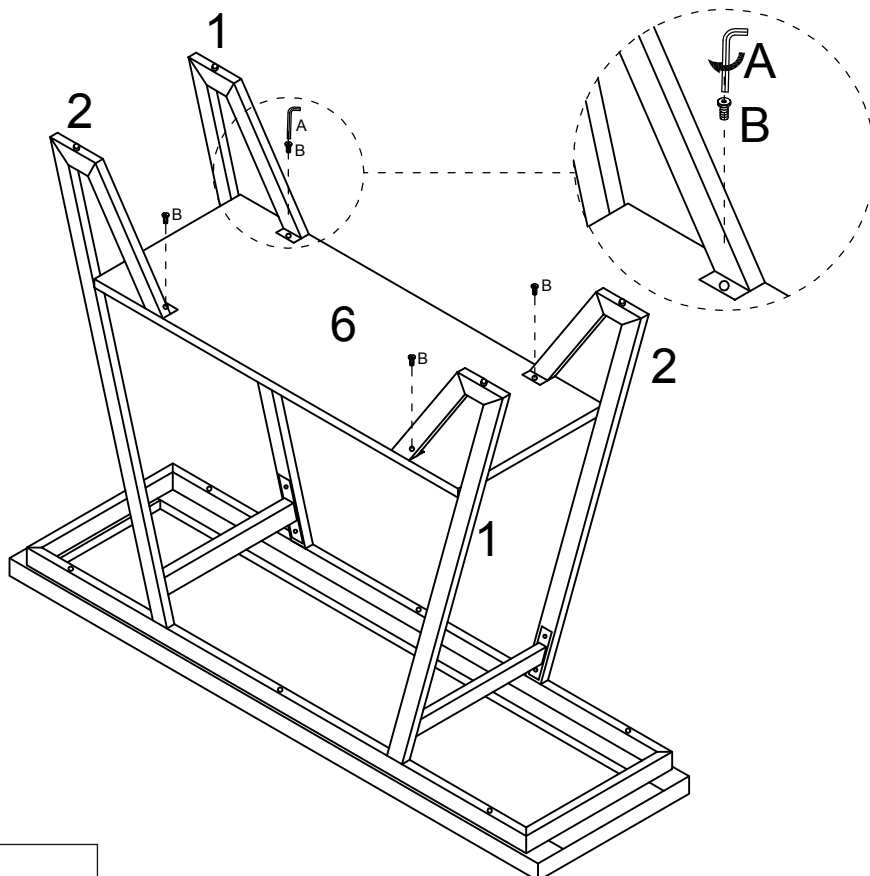
A 	C 
X 1pc	X 4pcs



Step 3



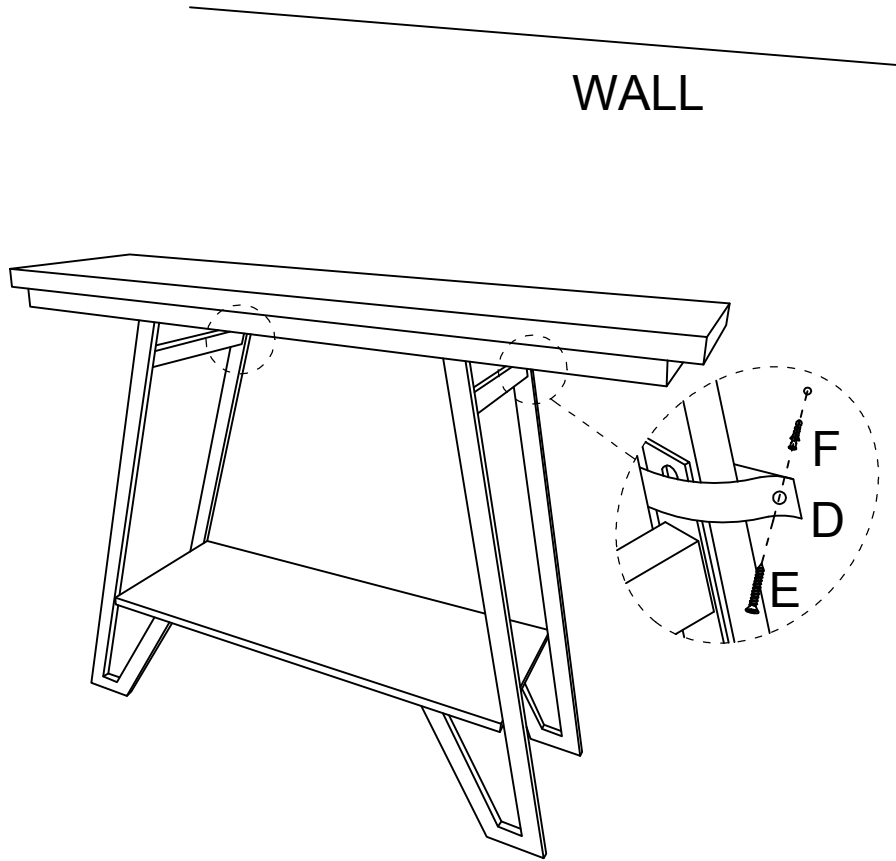
A 	C 
X 1pc	X 6pcs


Step 4




A 	B 
X 1pc	X 4pcs

Step 5



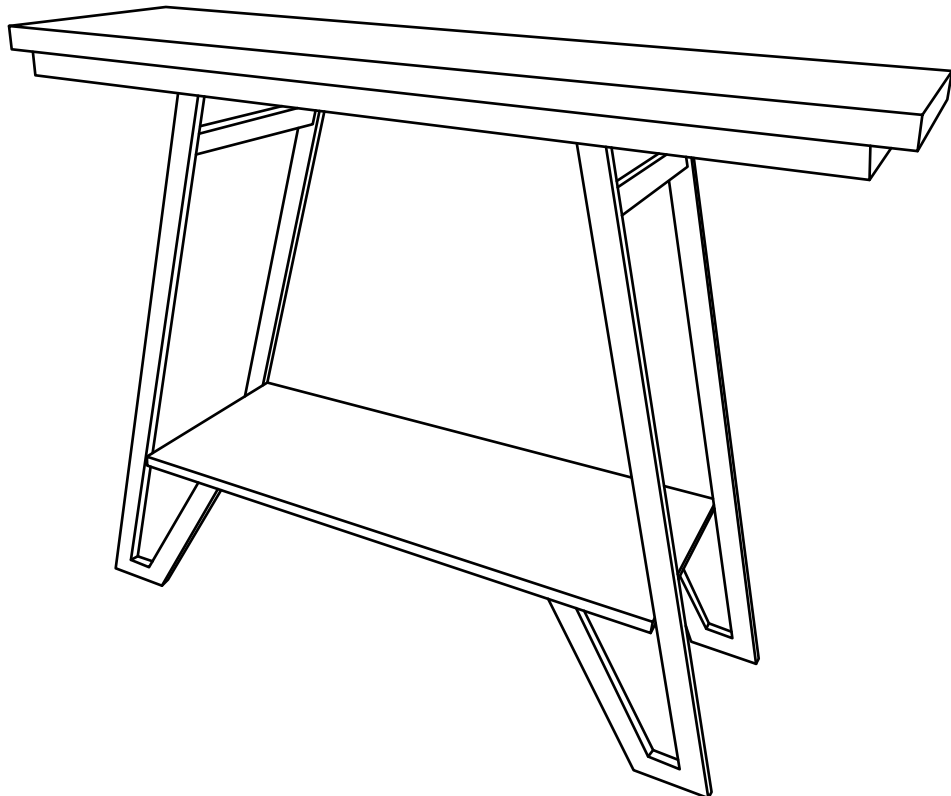
D

X 2pcs

E

X 2pcs

F

X 2pcs

Step 6



IMPORTANT SAFETY INFORMATION

Please carefully read the instructions and caution warnings below before assembling the product.

Following this guide will ensure that you install, use and maintain the product properly.

Please keep this installation and user manual/instructions for future reference in case you need to assemble the product.

Do not assemble if you notice serious damage such as cracks or bends.

During installation, please use work gloves for hand safety.

Please assemble the unit on carpeted floor or the flat cardboard box to avoid scratching the surface or your floor while assembling on the floor.

To assemble, please use the complimentary installation tools (Allen Wrench). Pay more attention to the direction of components at each step.

It is recommended that two people work together to assemble the product.

Please do not tighten the screws up too much, just to 80% before you finish to make the installation go on successfully.

HOW TO MAINTAIN YOUR PRODUCT:

Check the screws of the product are not loose from regular use.

Do not use sharp instruments, rubbing alcohol, corrosive chemicals, or abrasive cleaners to clean the product.