

# Instruction Manual

Please save this manual for future reference.



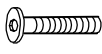
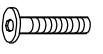
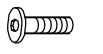




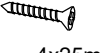
<b>Product Name:</b>	Upholstered Head and Footboard with Gray Rubber Wood Frame Platform Bed, Queen
----------------------	--

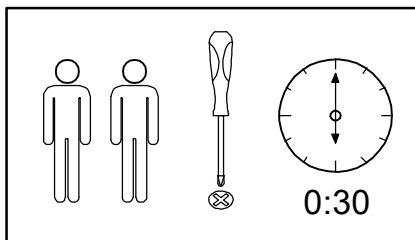
Thank you for purchasing this product. This product has been manufactured with the highest standards of safety and quality.

**PLEASE READ ALL INSTRUCTIONS BEFORE ASSEMBLY.**

Unpack all parts from Styrofoam and bubble wrap inside the carton to ensure there are no missing or damaged parts. If any parts are missing or damaged, do not attempt to assemble or use the product.

**Hardware:**

<b>A x1</b>  M4	<b>B x1</b>  M5	<b>C x6</b>  6x70mm	<b>D x4</b>  6x50mm	<b>E x10</b>  6x40mm	<b>F x6</b>  6x13mm	<b>G x6</b>  8x30mm
<b>H x14</b>  M6	<b>I x8</b>  M6	<b>J x34+4</b>  4x25mm				






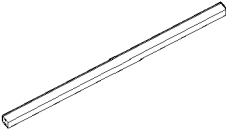
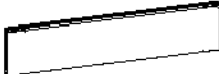


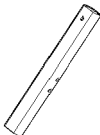
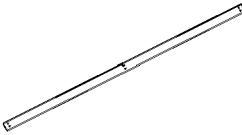

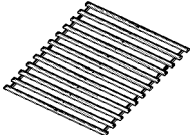
**Tools required for assembly:** Philips Screwdriver (if using power tools, use with care)

# Instruction Manual

Please save this manual for future reference.

<b>Product Name:</b>	Upholstered Head and Footboard with Gray Rubber Wood Frame Platform Bed, Queen

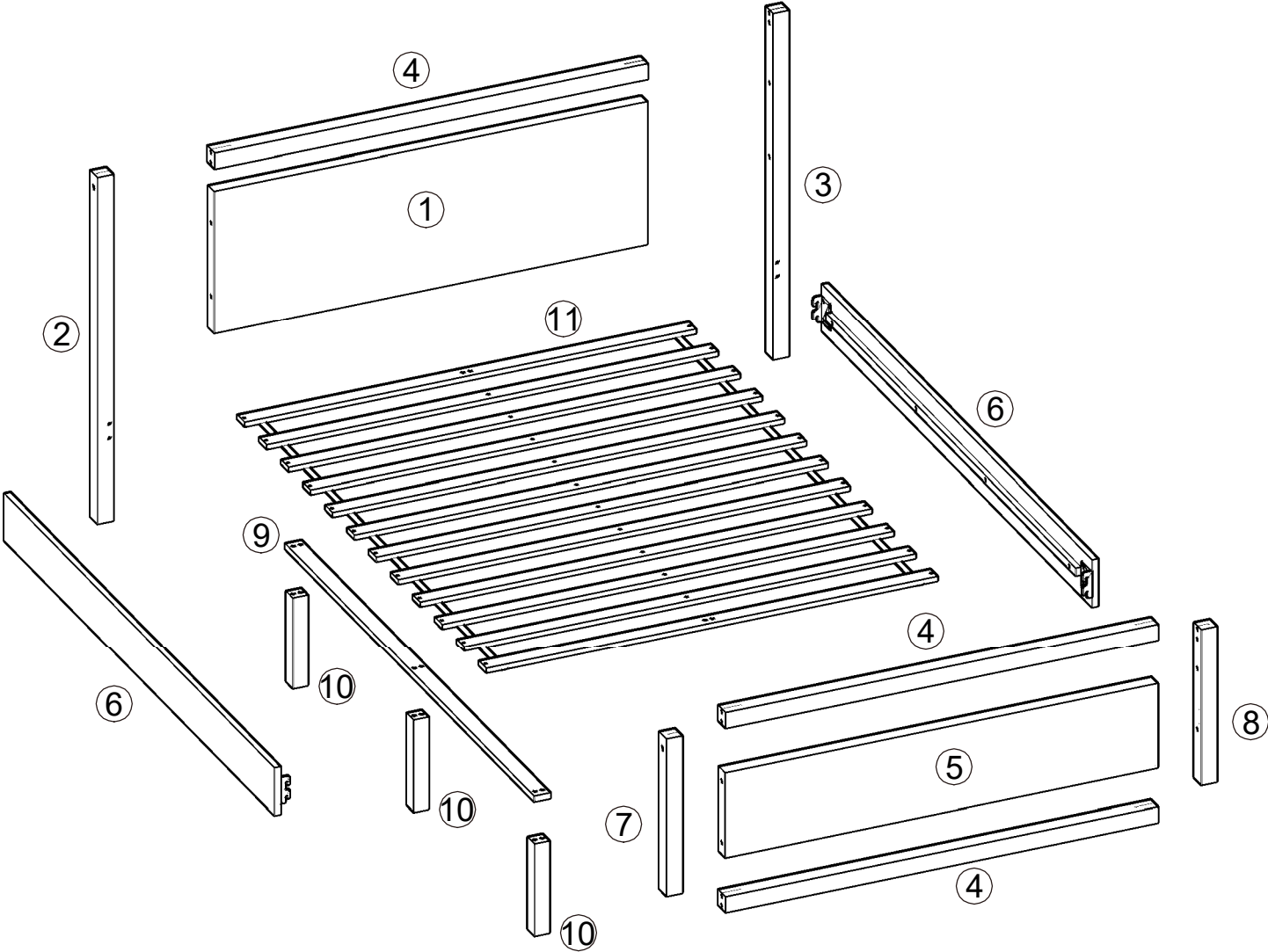
**Panels:**

① x1	② x1	③ x1	④ x3	⑤ x1
				
⑥ x2	⑦ x1	⑧ x1	⑨ x1	⑩ x3
				
⑪ x12				
				

# Instruction Manual

Please save this manual for future reference.

<b>Product Name:</b>	Upholstered Head and Footboard with Gray Rubber Wood Frame Platform Bed, Queen
----------------------	--



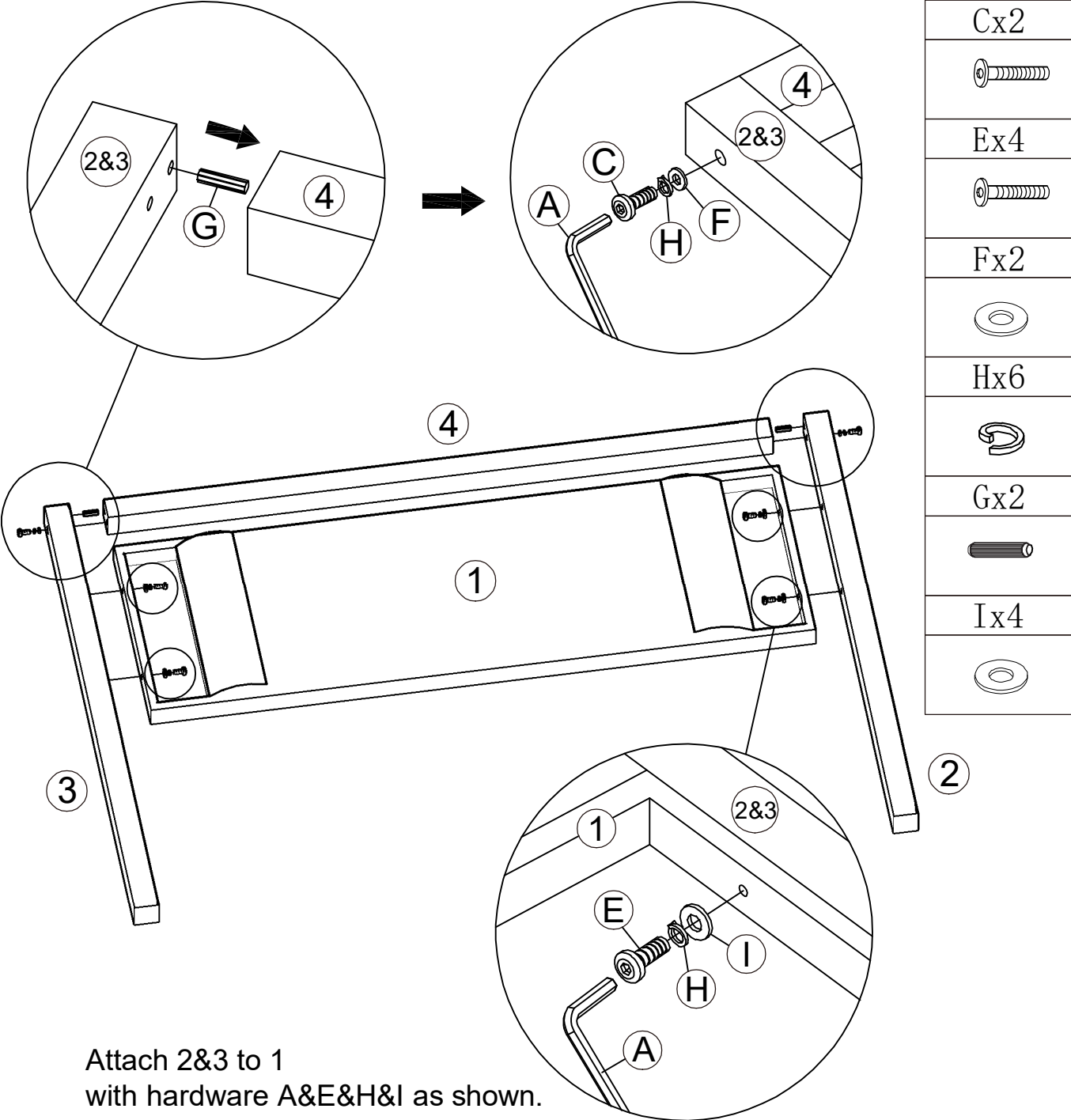
# Instruction Manual

Please save this manual for future reference.

<b>Product Name:</b>	Upholstered Head and Footboard with Gray Rubber Wood Frame Platform Bed, Queen
----------------------	--

**Step 1**

Attach 2&3 to 4 with hardware A&G&C&H&F as shown.



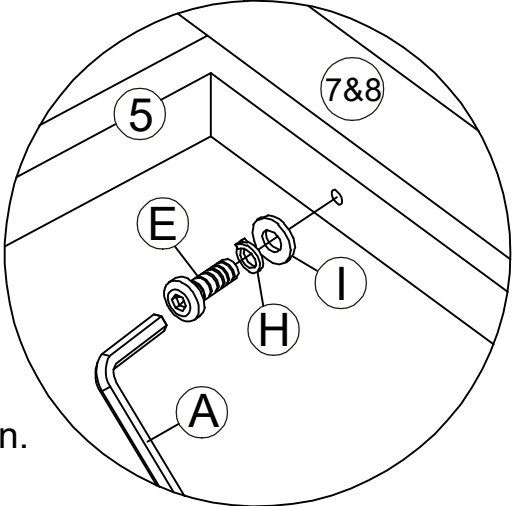
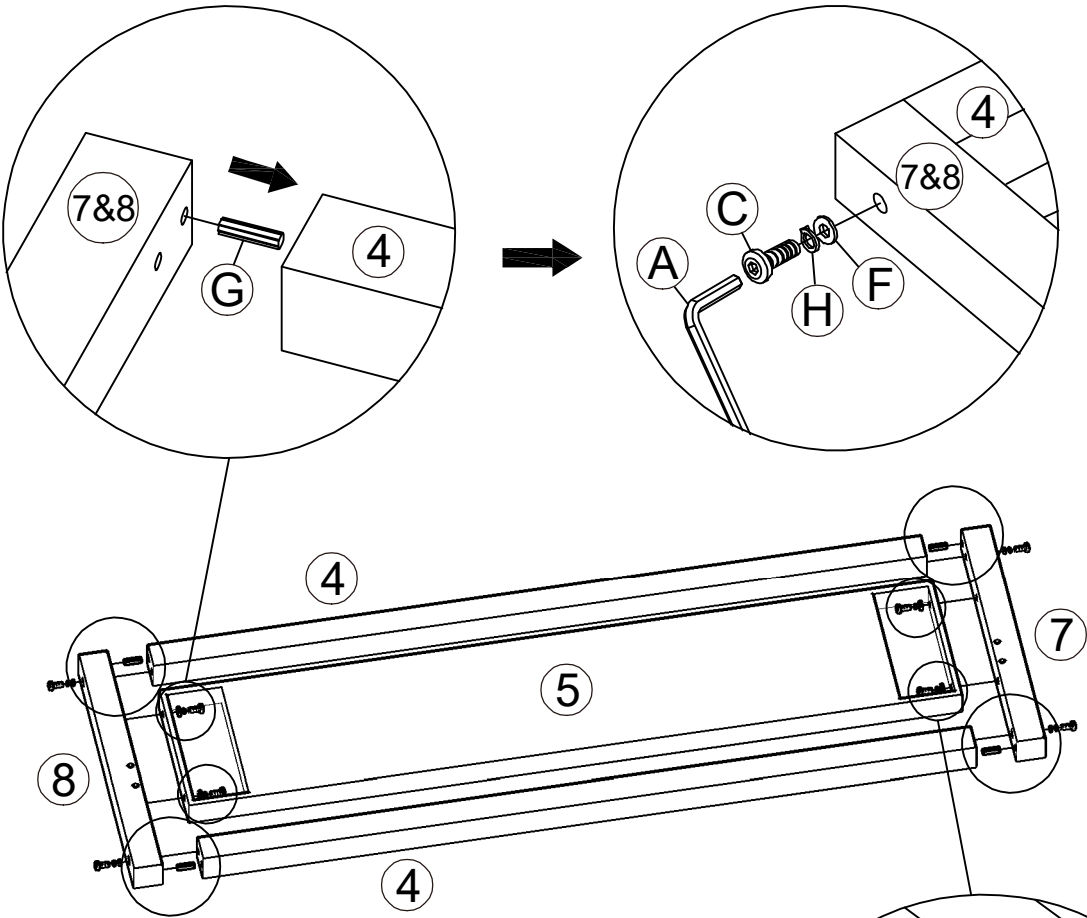
# Instruction Manual

Please save this manual for future reference.

<b>Product Name:</b>	Upholstered Head and Footboard with Gray Rubber Wood Frame Platform Bed, Queen
----------------------	--

## Step 2

Attach 7&8 to 4 with hardware A&G&C&H&F as shown.



Attach 7&8 to 5 with hardware A&E&H&I as shown.

Ax1	
Cx4	
Ex4	
Fx4	
Hx8	
Gx4	
Ix4	

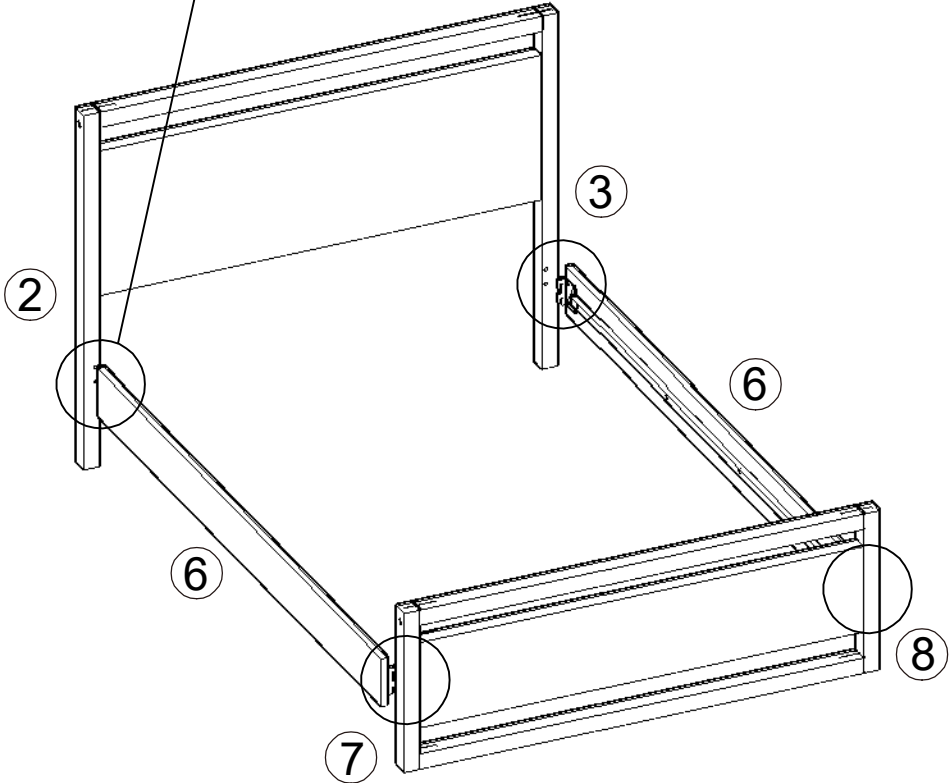
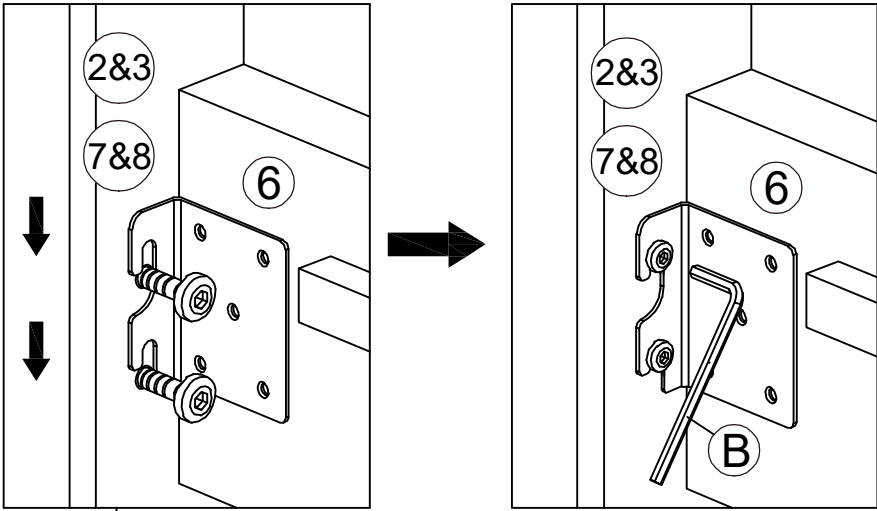
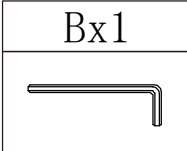
# Instruction Manual

Please save this manual for future reference.

<b>Product Name:</b>	Upholstered Head and Footboard with Gray Rubber Wood Frame Platform Bed, Queen
----------------------	--

### Step 3

Attach 7 to 2&3 and 4&5 Assembled as shown.

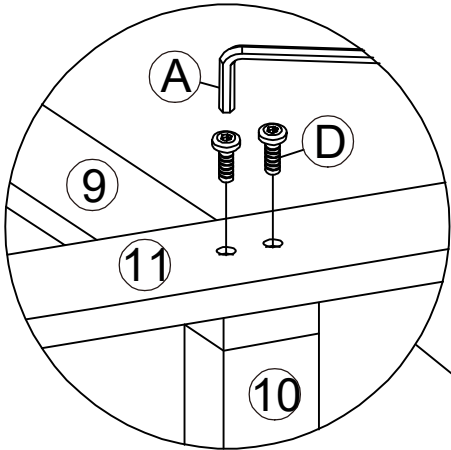


# Instruction Manual

Please save this manual for future reference.

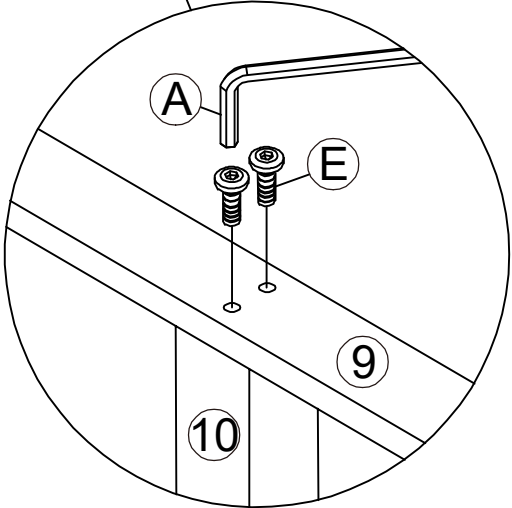
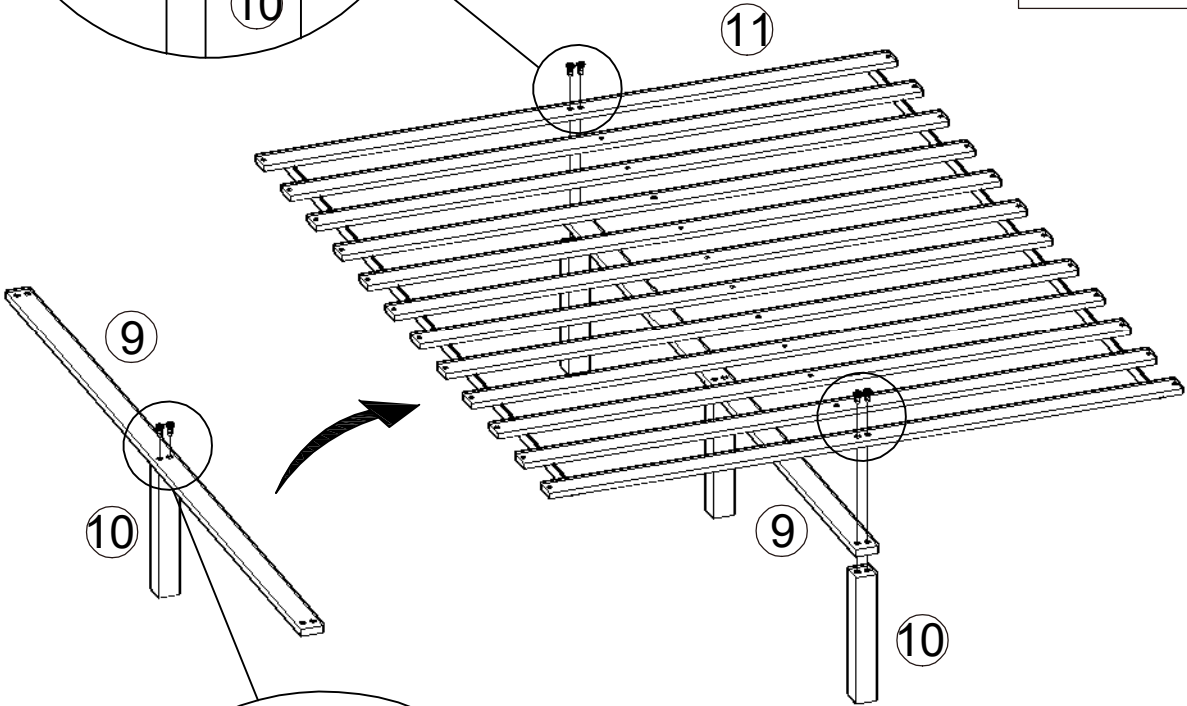
<b>Product Name:</b>	Upholstered Head and Footboard with Gray Rubber Wood Frame Platform Bed, Queen
----------------------	--

### Step 4



Attach 10&9 to 8 with hardware A&D as shown.

Ax1
Ex2
Dx4



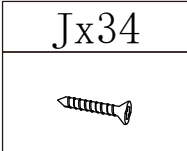
Attach 9 to 10 with hardware A&E as shown.

# Instruction Manual

Please save this manual for future reference.

<b>Product Name:</b>	Upholstered Head and Footboard with Gray Rubber Wood Frame Platform Bed, Queen
----------------------	--

## Step 5



Attach 11 to Assembled Bed with hardware J using a Philips Screwdriver as shown.

