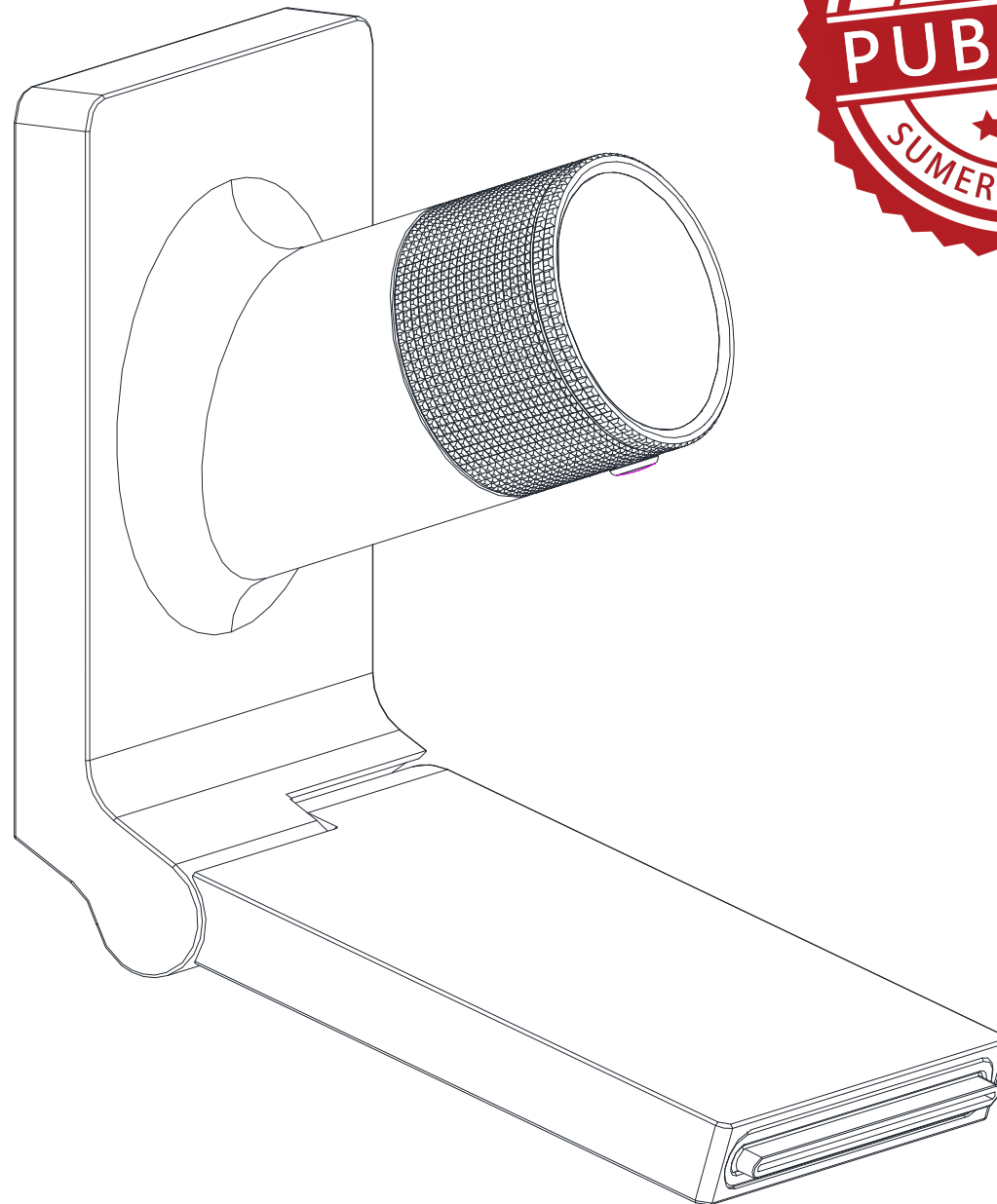


INSTALLATION GUIDE**WALL MOUNTED WATERFALL VESSEL SINK FAUCET**

MODEL	FINISH
S1418IW-CH	Chrome
S1418IW-BN	Brushed Nickel
S1418IW-MB	Matte Black
S1418IW-BG	Brushed Gold
S1418IW-MG	Black and Brushed Gold

HOT LINE: +1-866-203-0866

THANK YOU

Dear Valued Customer,

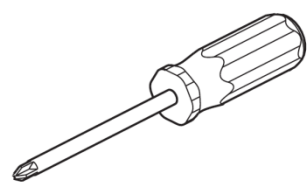
SUMERAIN would like to take this opportunity to thank you for purchasing SUMERAIN products. It is our sincere hope that you are completely satisfied with your new purchase. All SUMERAIN products are carefully engineered, and factory tested to provide long trouble-free use under normal conditions. This product is easy to install using basic tools and our easy to follow illustrated instructions. We welcome any questions or comments you may have and look forward to assisting you in the future. If you have any questions regarding this product, call +1-866-203-0866 or email to [support@sumerain.com](mailto:supports@sumerain.com).

Sincerely,
SUMERAIN customer service department

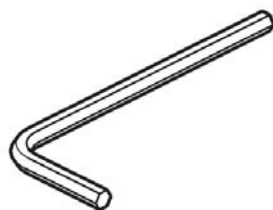
BEFORE PROCEEDING

1. Unpack your new product and ensure that all the parts are contained in the packaging. Keep the product in its original box until you ready to install it.
2. Locate water supply inlets and shut off the water supply valves. These are usually found near the water meter.
3. if you are replacing an existing unit, remove the old unit and clean the mounting surface thoroughly.
4. Observe all plumbing and building codes in your area.
5. It is recommends calling professional if you are uncertain about installing this product.

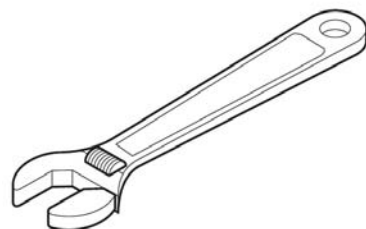
TOOLS RECOMMENDED



Philips screwdriver



Allen wrench



Adjustable wrench



Channel locks



Thread Sealant

LIMITED LIFETIME CONSUMER WARRANTY

VERSION: 140320.15.3

This product has been manufactured and tested to the highest quality standards by SUMERAIN sanitary Inc("SUMERAIN").This warranty is limited to SUMERAIN products which are purchased by a consumer in the China after Jan 1,2010 and installed in China or the state which has SUMERAIN technical support department locally.(visit <http://www.sumerain.com/en/supportcenter.asp> for review the state list of SUMERAIN technical support department).If the faucet should leak or drip during normal use,SUMERAIN will, free of charge, mail to the purchaser the cartridge necessary to put the faucet in good working condition. If a defect is found in normal residential use, SUMERAIN will, at its election, repair, provide a replacement part or product, or make appropriate adjustment.

WHO IS COVERED BY THE WARRANTY

This warranty extends to the original consumer purchaser only (exclusive online retail original customer, online retail original customer cover by the "Online CONSUMER Limited Lifetime WARRANTY & Return policy"), This warranty is not-transferable.

WHAT IS COVERED BY THE WARRANTY

This warranty covers only your SUMERAIN manufactured product. SUMERAIN warrants this product against defects in material or workmanship as follows: SUMERAIN will repair at no charge for parts only or, at its option, replace any product or part of the product that proves defective because of improper workmanship and/or material, under normal installation, use, service and maintenance. If SUMERAIN unable to provide replacement, SUMERAIN may elect to provide similar model upon close value.

FINISH WARRANTY

It is the responsibility of the customer to check for any material finish defects before installation. SUMERAIN doesn't warranty these finishes after the fixture has been installed.

ELECTRONIC FAUCETS WARRANTY

SUMERAIN warrants that its electronic faucets, valves and controls to be free from manufacturing defects in material and workmanship under normal use for three(3) years from the date of purchase and waterflow impeller-dynamo (generate power for LED faucet) for six(6) months from the date of purchase.

LENGTH OF WARRANTY

Replacement or repaired parts of products will be covered for the term of this warranty as stated in the following two sentences, if you are a consumer who purchased the product for use primarily for personal,family,or household purposes, this warranty extends for 5 years since the product originally installed (Extend max 1 month From the date of purchase).if you purchased the product for use primarily for any other purpose,including,without limitation, a commercial purpose or is installed outside of China, or if the finish is gold, non-Vibrant or a painted or powder coated color finish this warranty extends only for one year, with respect to SUMERAIN and commercial products.

THIS WARRANTY DOES NOT COVER, AND SUMERAIN WILL NOT PAY FOR:

- A. Conditions, malfunctions or damage not resulting from defects in material or workmanship.
- B. Conditions, malfunctions or damage resulting from normal wear and tear, improper installation, improper maintenance, misuse, abuse,negligence,accident or alteration or the use of abrasive or caustic cleaning agents or "no-rinse" cleaning products, or the use of the product in any manner contrary to the product instructions. Conditions in the home such as excessive water pressure or corrosion.
- C. Labor or other expenses for the disconnection, deinstallation, or return of the product for warranty service, or for installation or reinstallation of the product.
- D. Accessories, connected materials and products (including but not limited in handshower flexible hose, spray flexible hose, handshower), or related products not manufactured by SUMERAIN

TO OBTAIN WARRANTY PARTS OR INFORMATION

Contact your SUMERAIN retailer or contact technical service at: supports@sumerain.com

In requesting warranty service, you will need to provide

1. The sales receipt or other evidence of the date and the place of purchase.
2. A description of the problem (Download URL: <http://www.sumerain.com/download/servicerequest/sheet.pdf> and fill out the Service Request Sheet).
3. Delivery of the product or the defective part, postage prepaid and carefully packed and insured to :
SUMERAIN FACTORY SUPPORT CENTER ,25 Building,Tangkou industrial park,Shuikou Town,Jiangmen Kaiping city,
Guangdong provice,China 529301

When warranty service is completed, any repaired or replacement product or part will be returned to you postage prepaid.

EXCLUSIONS AND LIMITATIONS

Repair or replacement (or, in limited circumstances, refund of the purchase price) as provided under this warranty is the exclusive remedy of the purchaser. SUMERAIN neither assumes nor authorizes any person to create for it any obligation or liability in connection with this product.SUMERAIN shall not be liable to purchaser or any person for any incidental, special, or consequential damages, arising out of breach of this warranty or any implied warranty (including merchantability) Some states do not allow the exclusion or limitation of incidental or consequential damages, so the above limitation or exclusion may not apply to you. This warranty gives you specific legal right, and you may have other rights which vary from state to state. You may be required by law to give us a reasonable opportunity to correct or cure any failure to comply before you can bring any action in court against us under the Magnusson-moss warranty Act.

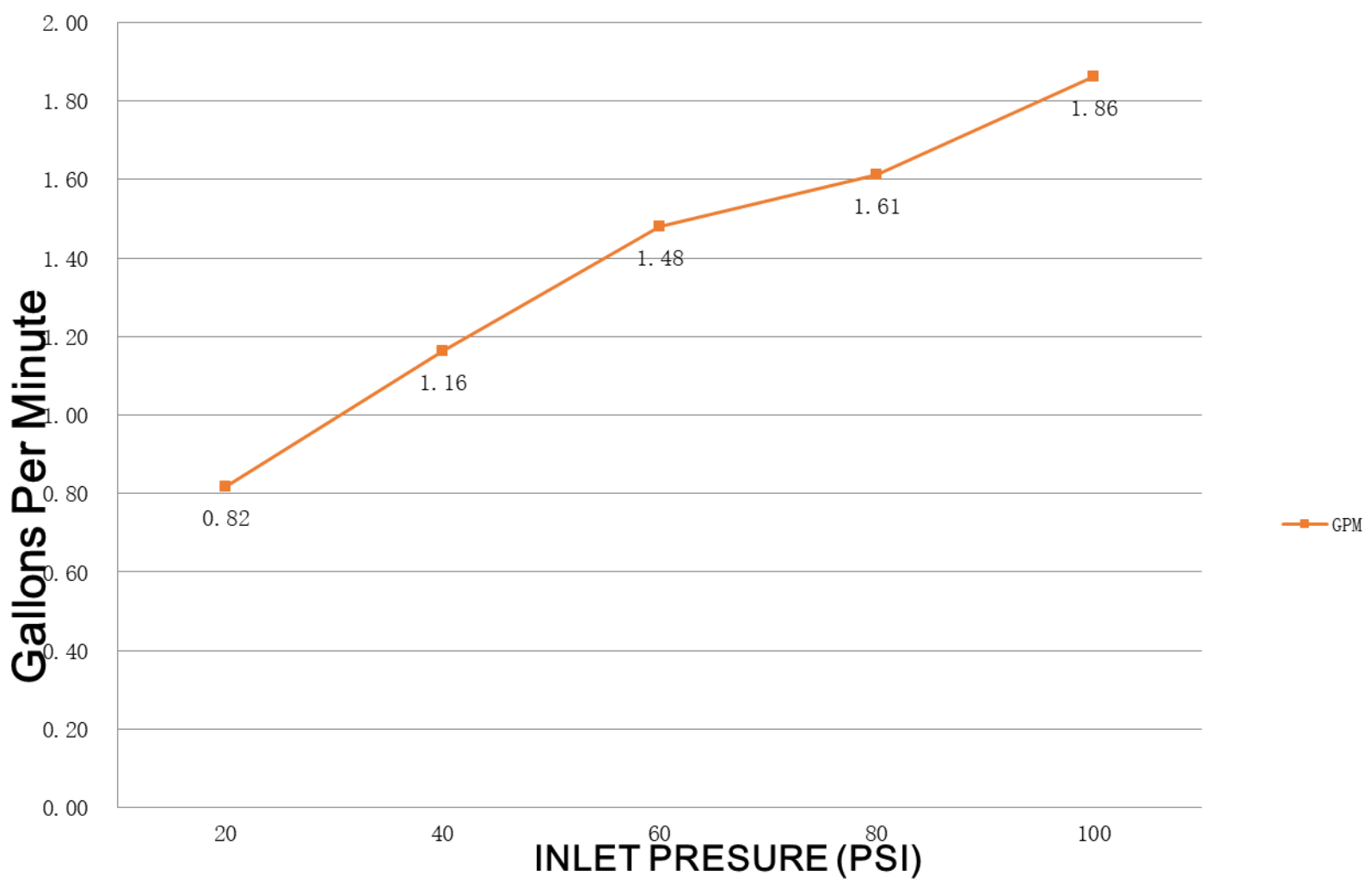
PRODUCT INSTRUCTIONS AND QUESTIONS

Upon purchase or prior to installation, please carefully inspect your SUMERAIN product for any damage or visible defect. Prior to installing, always carefully study the enclosed instructions on the proper installation and the care and maintenance of the product. if you have questions at any time about the use,installation,or performance of your SUMERAIN product, or this warranty, please call or email us at +1-866-2030-0866, supports@sumerain.com

FUNCTIONS AND SPECIFICATION

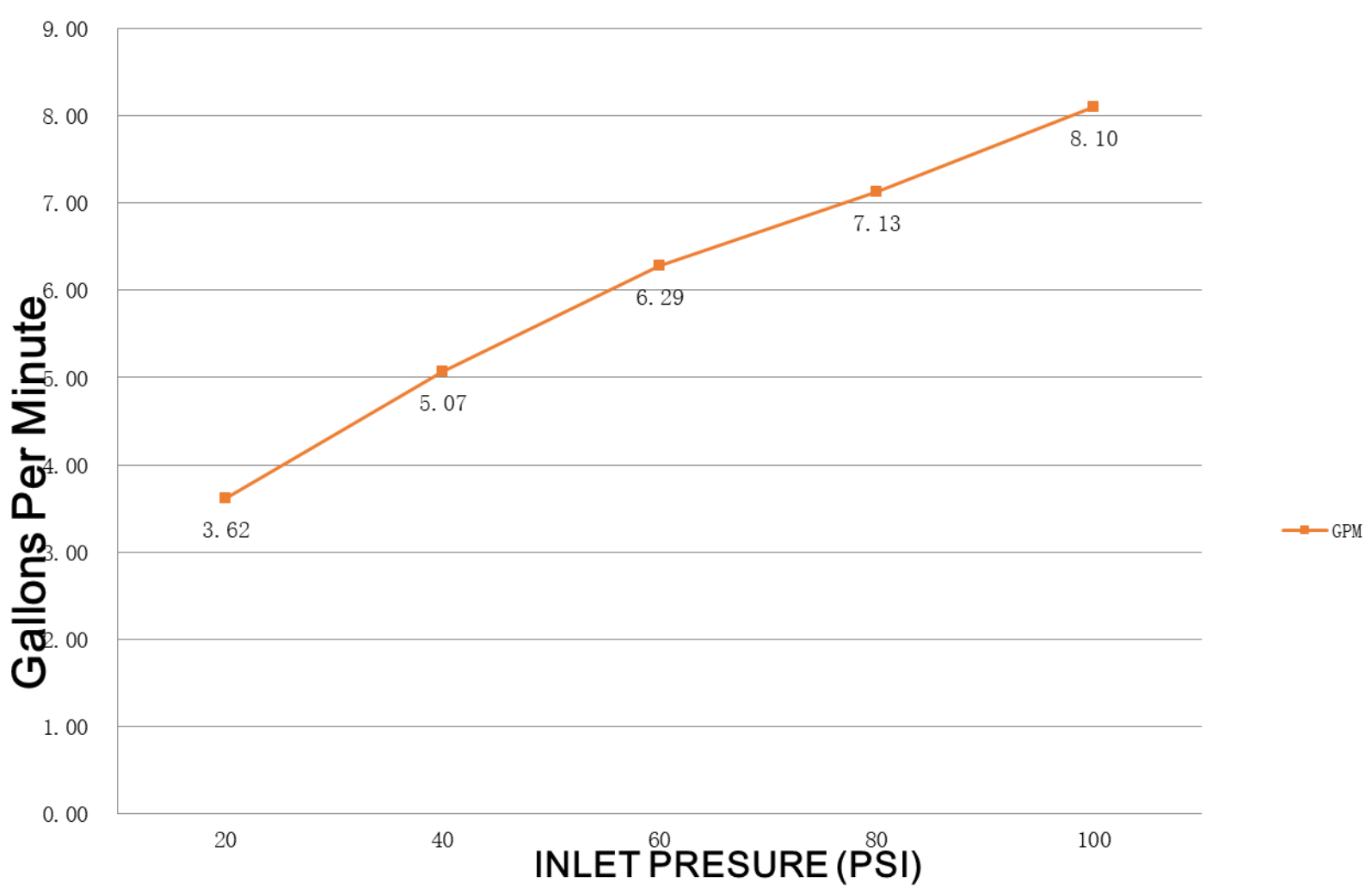
Function	Wall Mount Bathroom Sink Faucet
Feature	Waterfall, Wall mount
Theme	Modern ,Contemporary
Configuration	Vessel
Finish	Chrome/Brushed Nickel/Matte Black /Brushed gold/Black and Brushed Gold
Installation Holes	One
Number of Handles	One
Handle style	Round
Faucet Total Height	Adjustable
Spout Reach	5-1/2"(138.5mm)
Spout width	3-3/8"(85mm)
Spout Height[Recommend]	9-1/2"(120mm)
Valve Installation depth	3-3/4"(95mm)~4-3/4"(120mm)
Installation type	Wall mounted
Valve Type	35# Ceramic disc
Faucet Body Material	Brass
Spout Material	Brass
Handle Material	Metal
Net Weight	4.39lbs [1.99KG]
Gross Weight	5.27lbs [2.39KG]
Working water press	29PSI ~ 145PSI [0.2 ~1.0 Mpa]
Minimum Flow Rate	1.5GPM@60PSI [5.6L/M]
Max Flow Rate	8.1GPM@100PSI [30.6L/M]

MINIMUM FLOW RATE



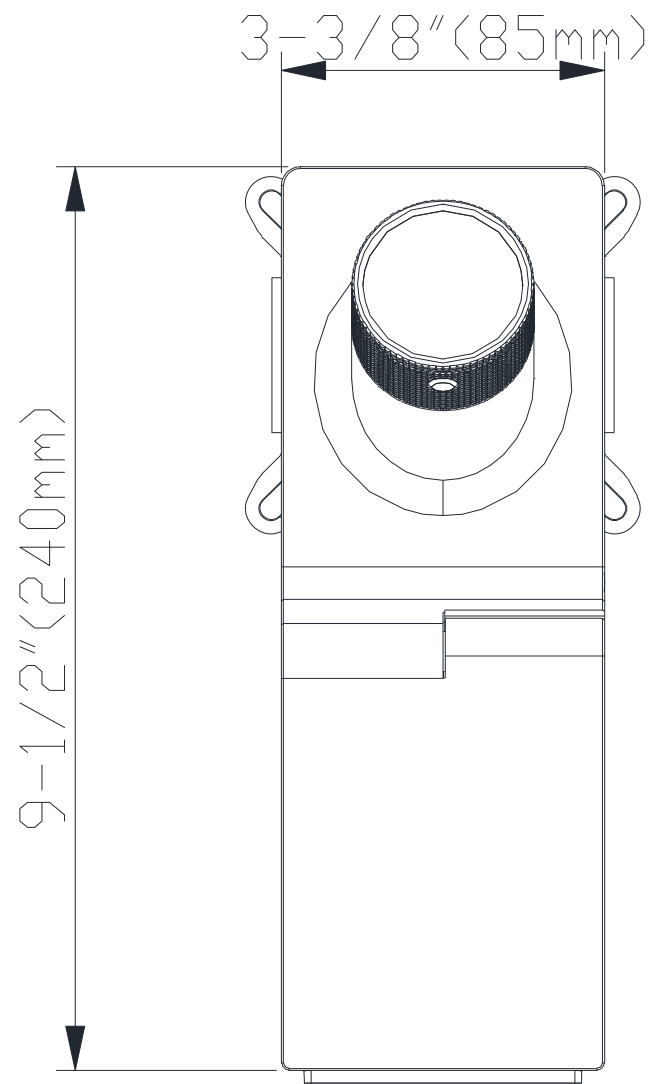
* Flow rates shown are for mixed hot and cold

MAX FLOW RATE



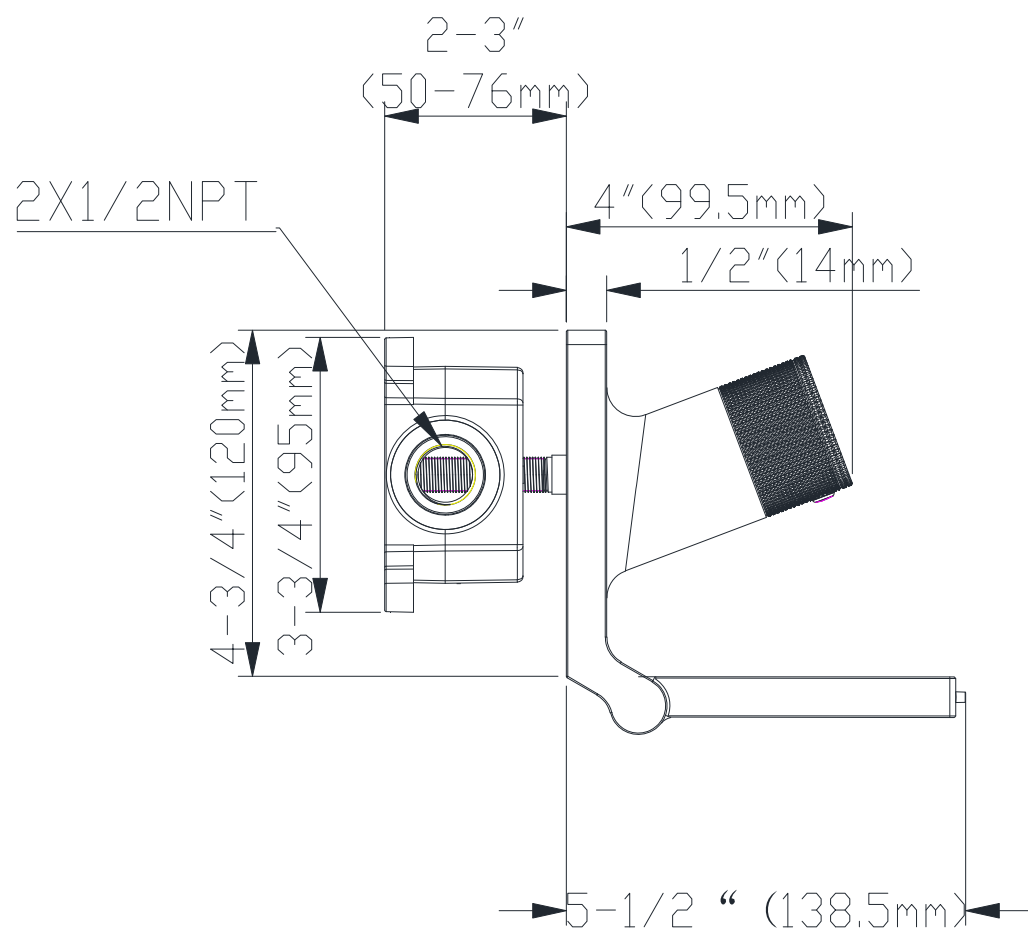
* Flow rates shown are for mixed hot and cold

DEMENSION



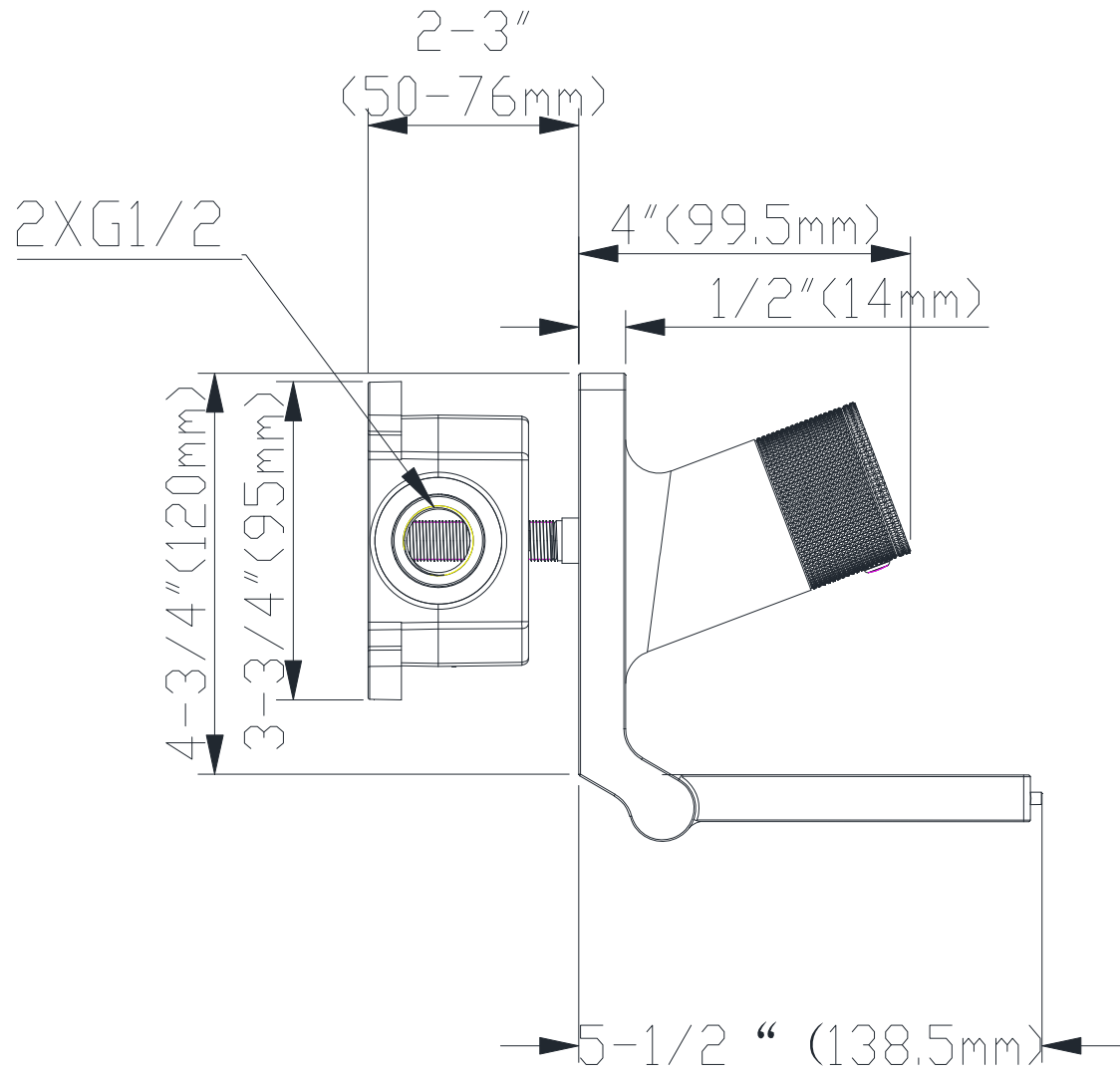
FRONT VIEW OF FAUC

North America

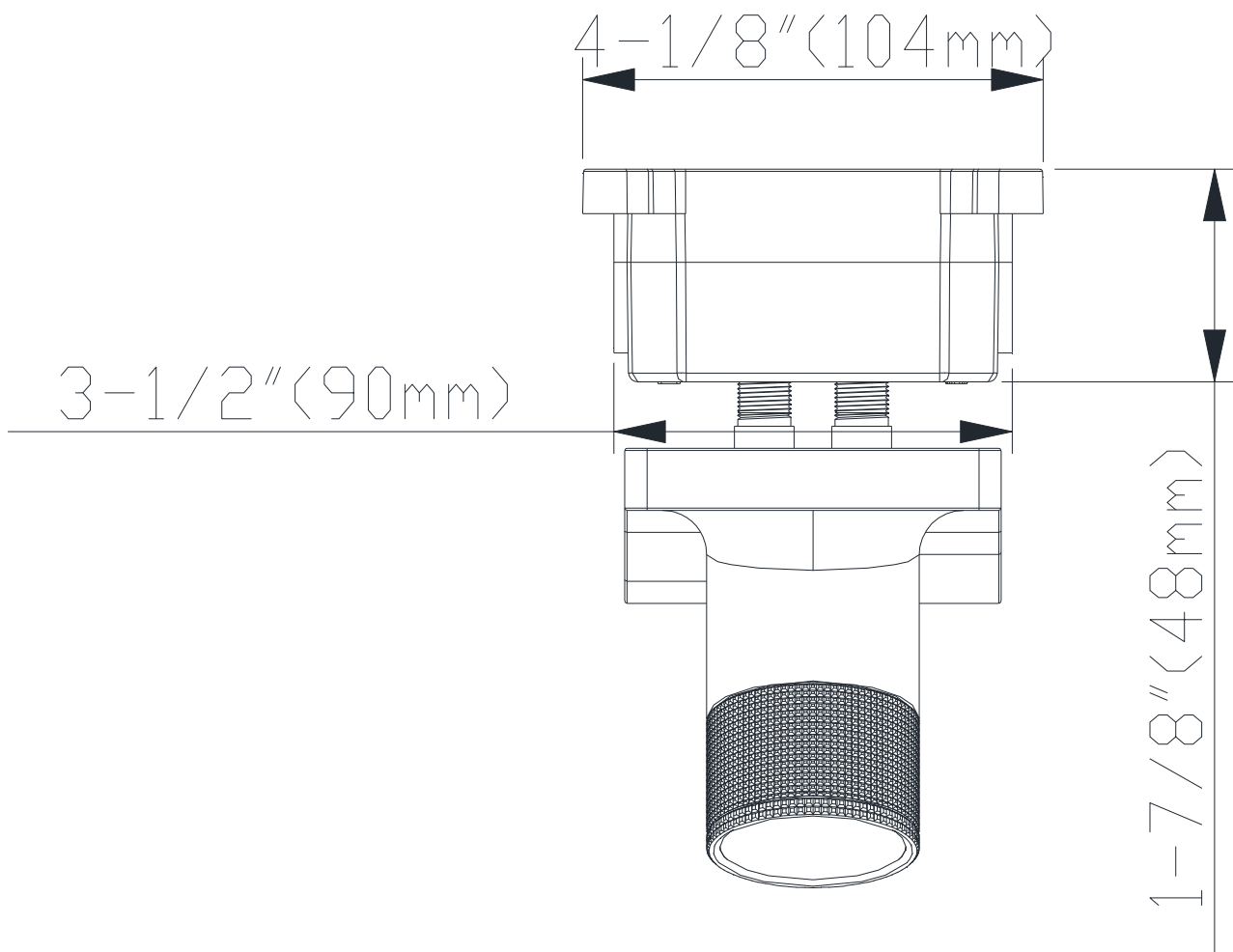


SIDE VIEW OF FAUCET

Europe & Asia:



SIDE VIEW OF FAUCET



FRONT VIEW OF ROUGH

INSTALLATION STEPS

1. BEFORE PROCEEDING



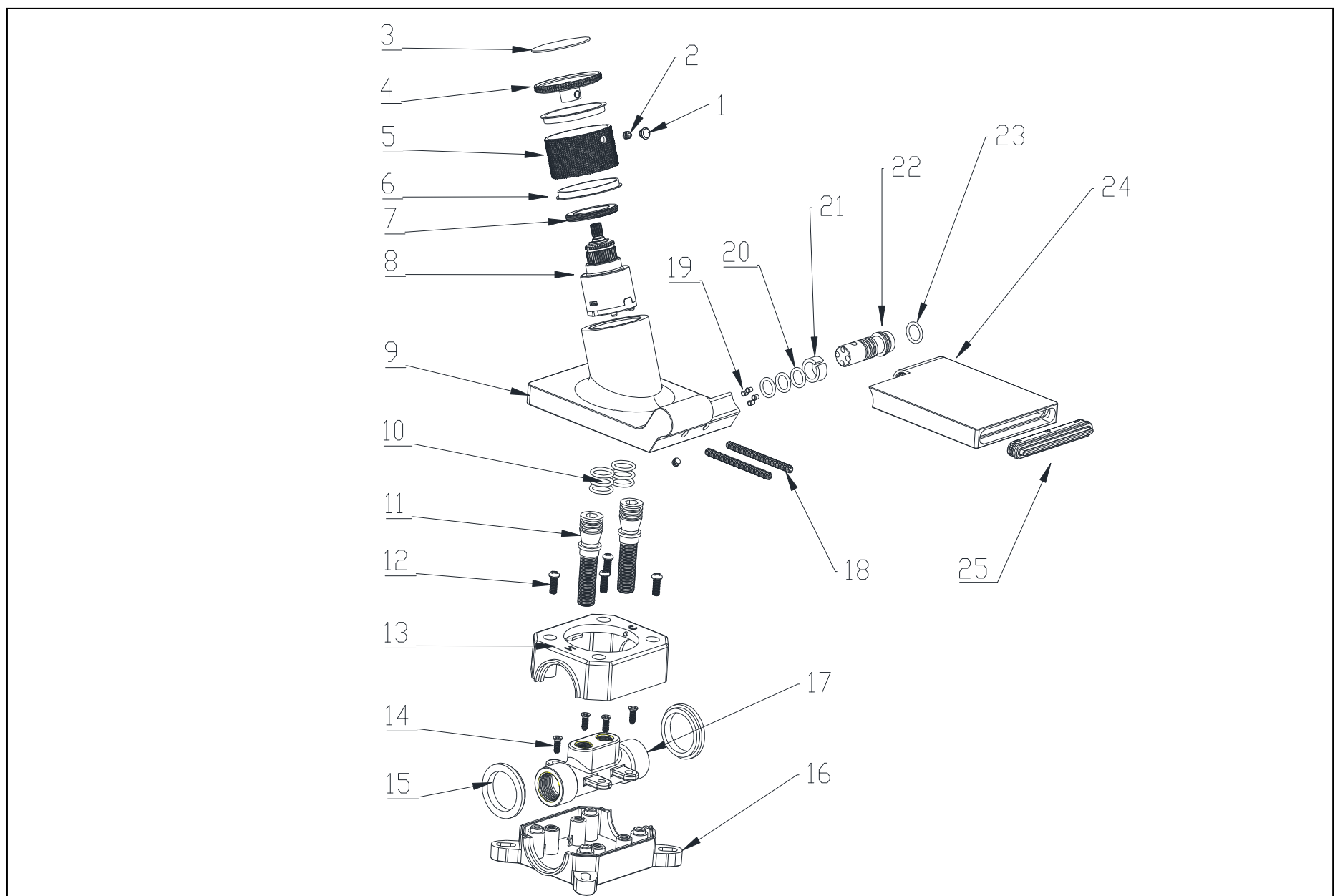
WARNING: Read all the instructions completely before proceeding. SUMERAIN recommends calling a professional if you are uncertain about installing this product!, this product should be installed in accordance with all local and state plumbing and building codes.

2. SHUT OFF WATER SUPPLY

Locate water supply inlets and shut off the water supply valves. These are usually found near the water meter. If you are replacing an existing unit, remove the old unit and clean the mounting surface thoroughly.

3. CHECKING THE CONTENTS OF THE BOX

Upon opening the box, check to ensure that all the following items are included.

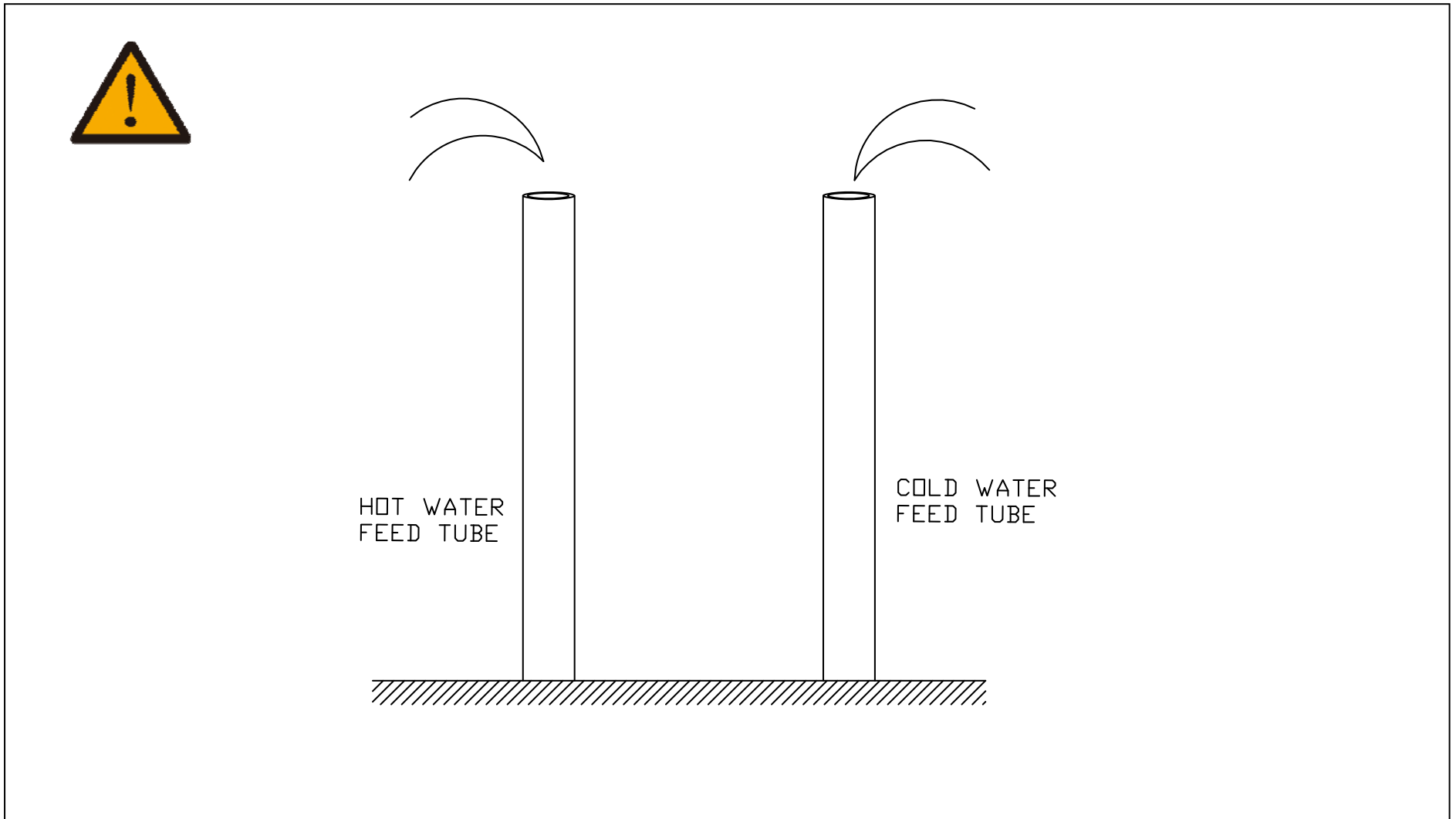


NO.	ITEM NAME	MATERIAL	QTY	PART NO.	NO.	ITEM NAME	MATERIAL	QTY	PART NO.
1	Screw Cover	NBR	1	PSA00007XX	14	Self-tapping screws	SUS304	4	PSC00006XX
2	Set screw	SUS304	2	PSC05051XX	15	Slip washer	NBR	2	PRW38346XX
3	Sticker	PVC	1	PSA14182XX	16	Valve base box	POM	1	PSA14180XX
4	Flow Control Knob	HPB59-1	1	PHD14181XX	17	Rough-in Valve	HPB59-1	1	PVB14181XX
5	Temp. Control Knob	HPB59-1	1	PHD14180XX	18	Set screw	SUS304	2	PSC05601XX
6	T-Washers	POM	2	PRW47045XX	19	Positioning pin	ASSEMBLE	4	PSA14183XX
7	Bonnet	HPB59-1	1	PSC37126XX	20	O-Ring	NBR	3	POR14020XX
8	35# Cartridge	ASSEMBLE	1	PCT35700XX	21	Opening circlip	POM	1	PRW16508XX
9	Valve body	HPB59-1	1	PVB14180XX	22	Spout Supply nipple	HPB59-1	1	PCN14180XX
10	O-Ring	NBR	6	POR16020XX	23	O-Ring	NBR	1	POR15020XX
11	Water supply nipple	HPB59-1	2	PCN14181XX	24	Spout	HPB59-1	1	PSP14180XX
12	Set screw	SUS304	4	PSC05015XX	25	Waterfall aerator	ASSEMBLE	1	PAE14180XX
13	Base Box upper cover	POM	1	PSA14181XX					

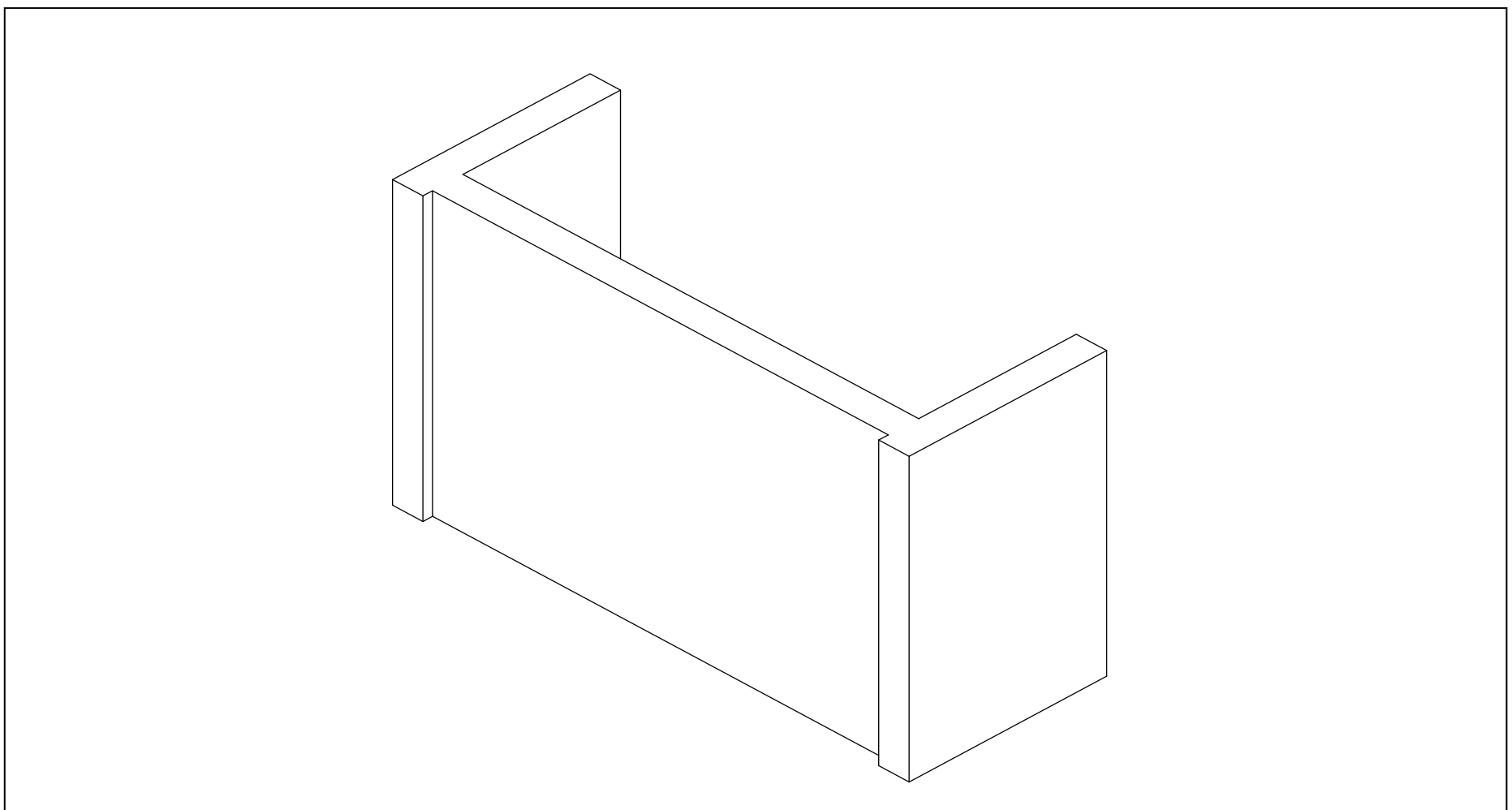
If any of these items are missing, please contact SUMERAIN consumer service by email to: supports@sumerain.com

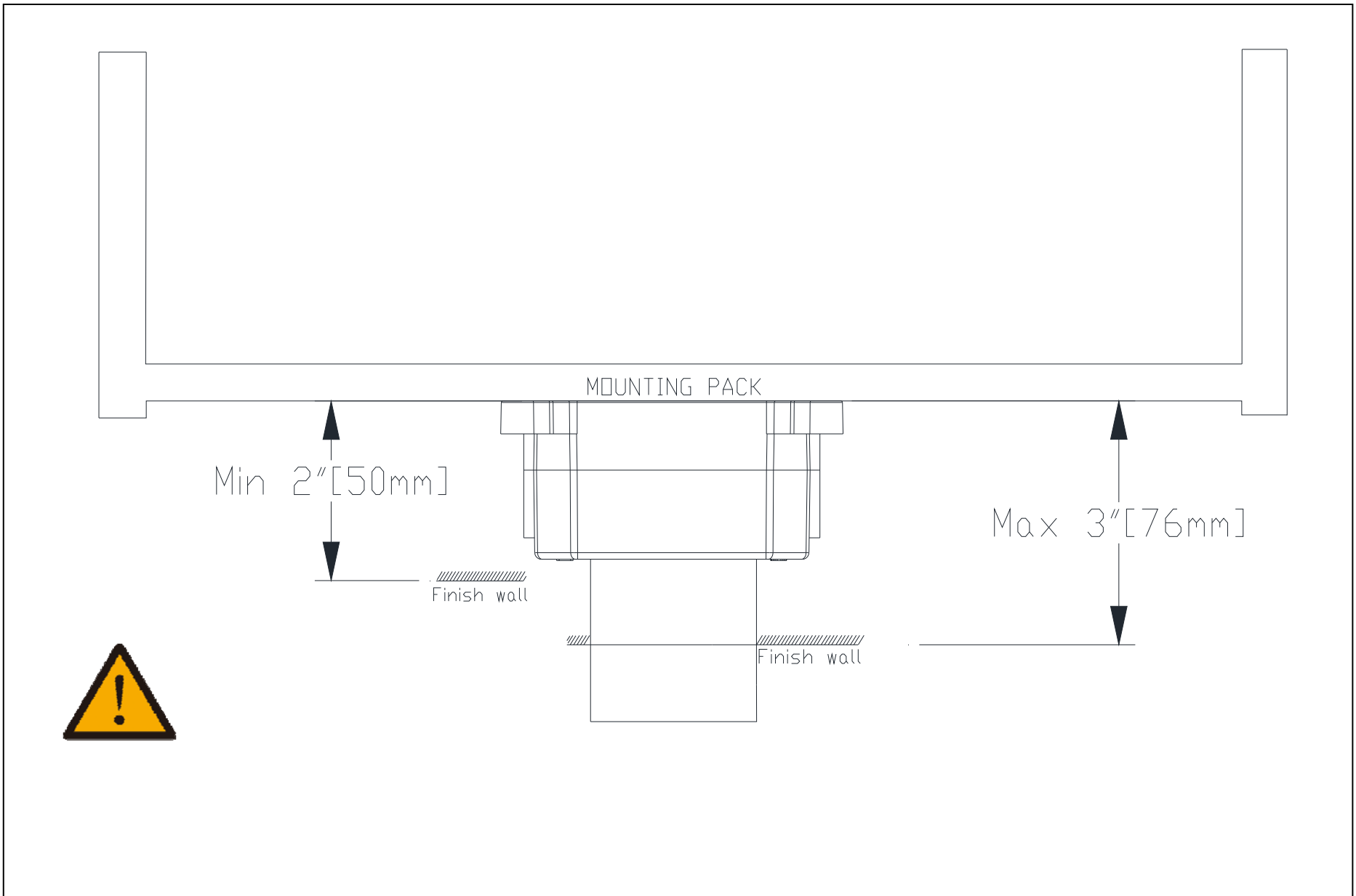
4. VALVE TRIM INSTALLATION

4.1 Turn on your shut-off valve for cleaning the hot and cold water supply tube before connect to the valve trim, allow the water flush 3~5 minutes to flush out dirt and debris. Shut off the water supply again after finish.

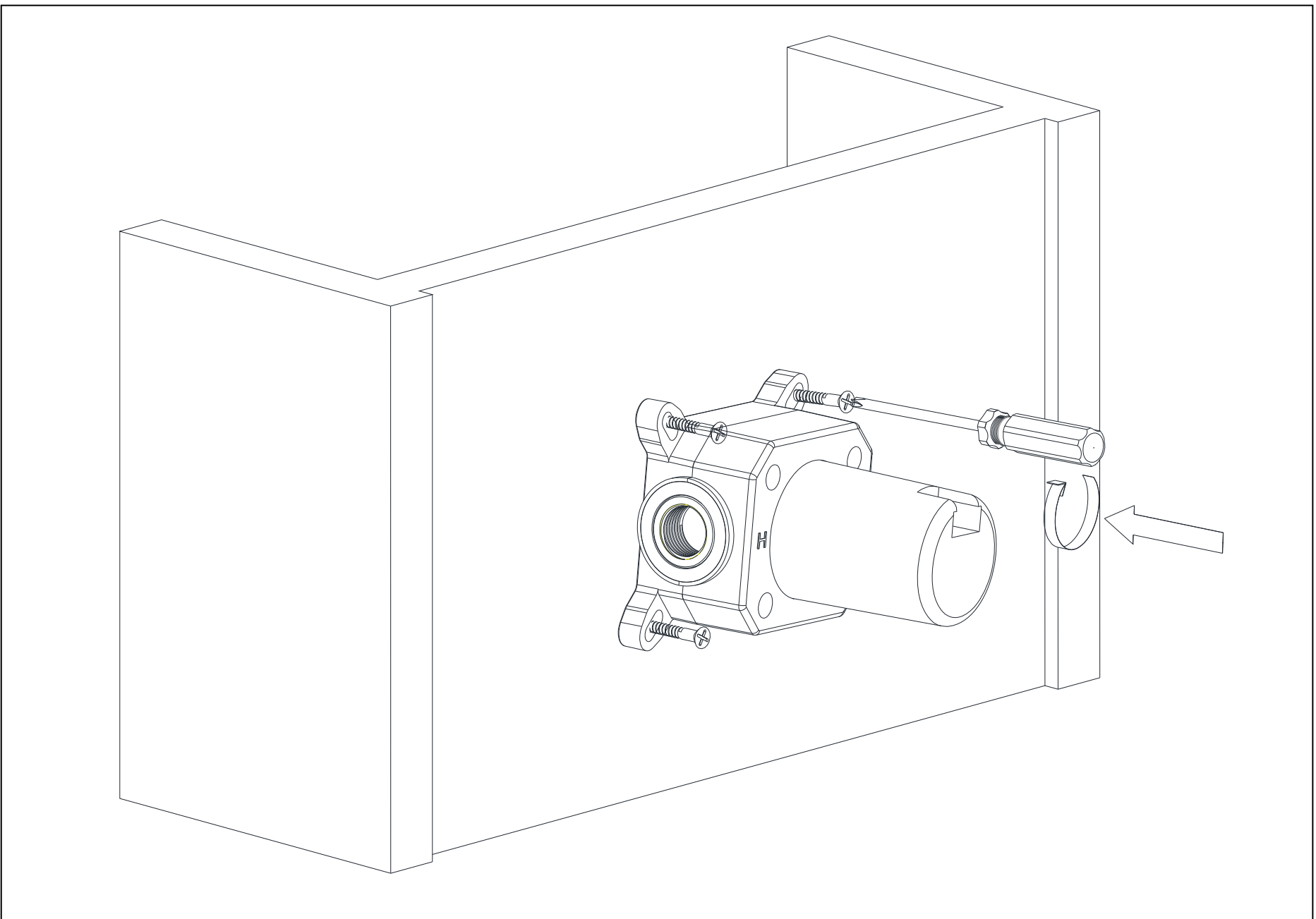


4.2 Make a mounting rack (normally use woods as materials) for preparing install the rough-in valve. The mounting rack's face should be 2"(50mm) at least and Max 3" (76mm) behind the finish wall surface;





4.3 Secure the rough-in valve with base box to the mounting rack with screws (screws not including.)

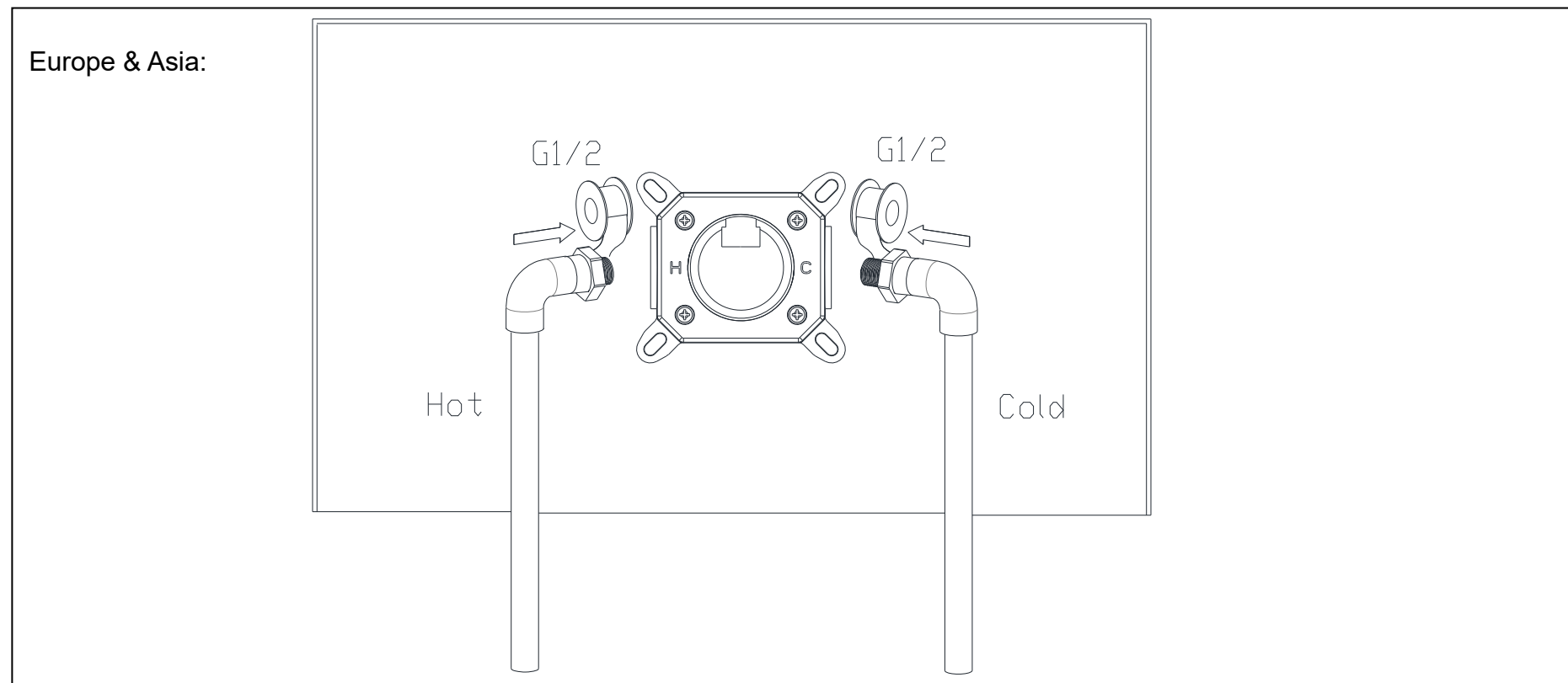
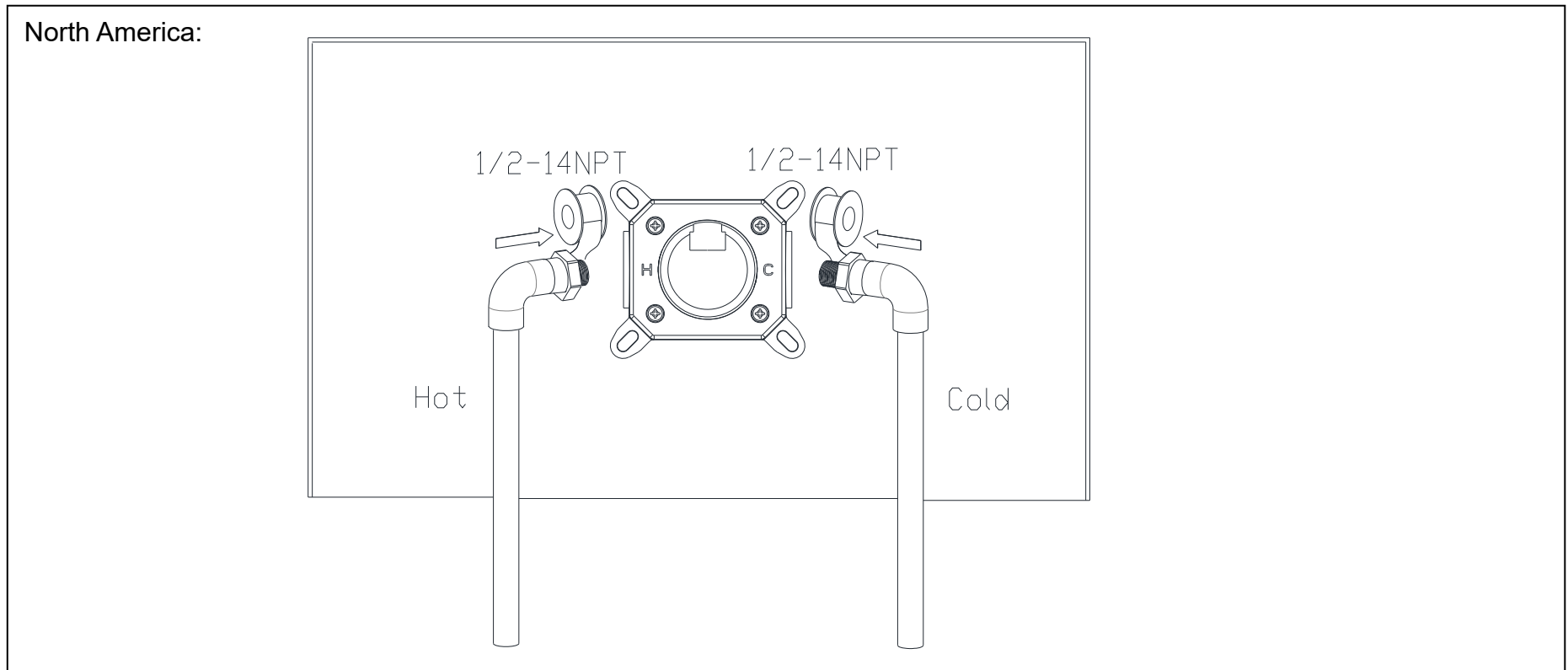


4.4 Valve body connects to hot and cold supply pipes.


Rough-in Valve thread for Hot&Cold water inlet:

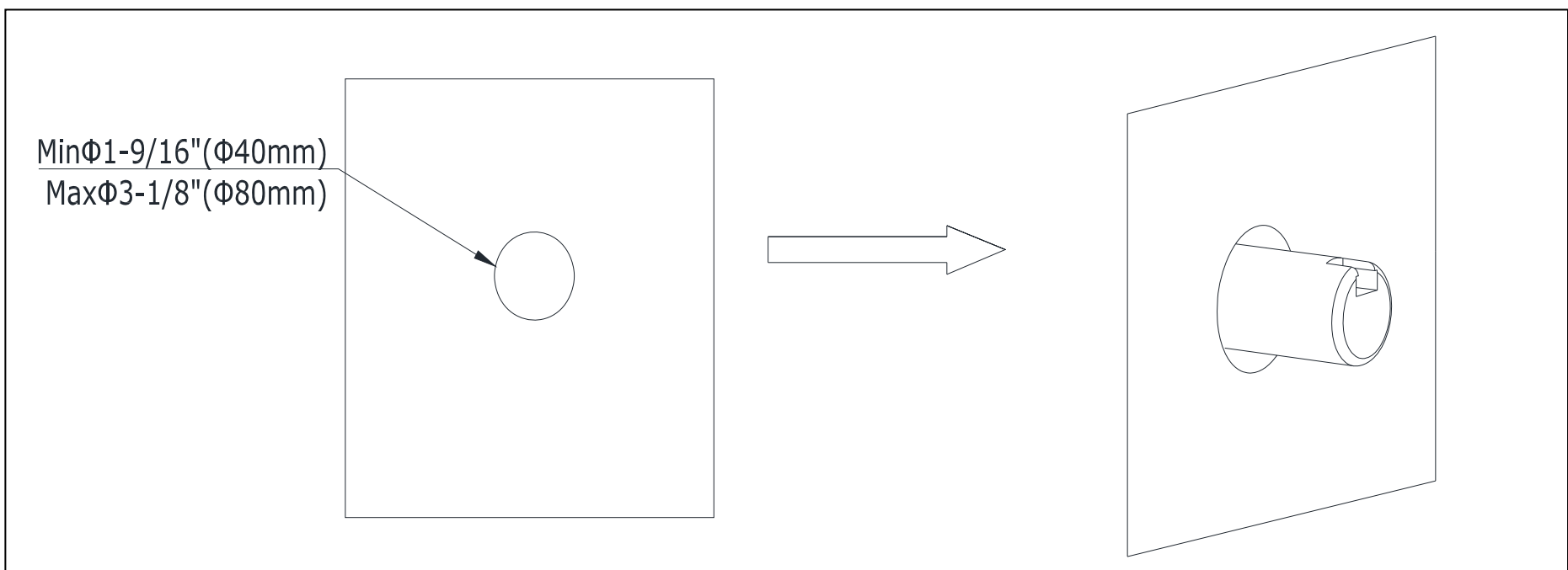
North America [US, CA]: NPT 1/2-14

Europe & Asia [UK, EU, CN Etc.]: G1/2"

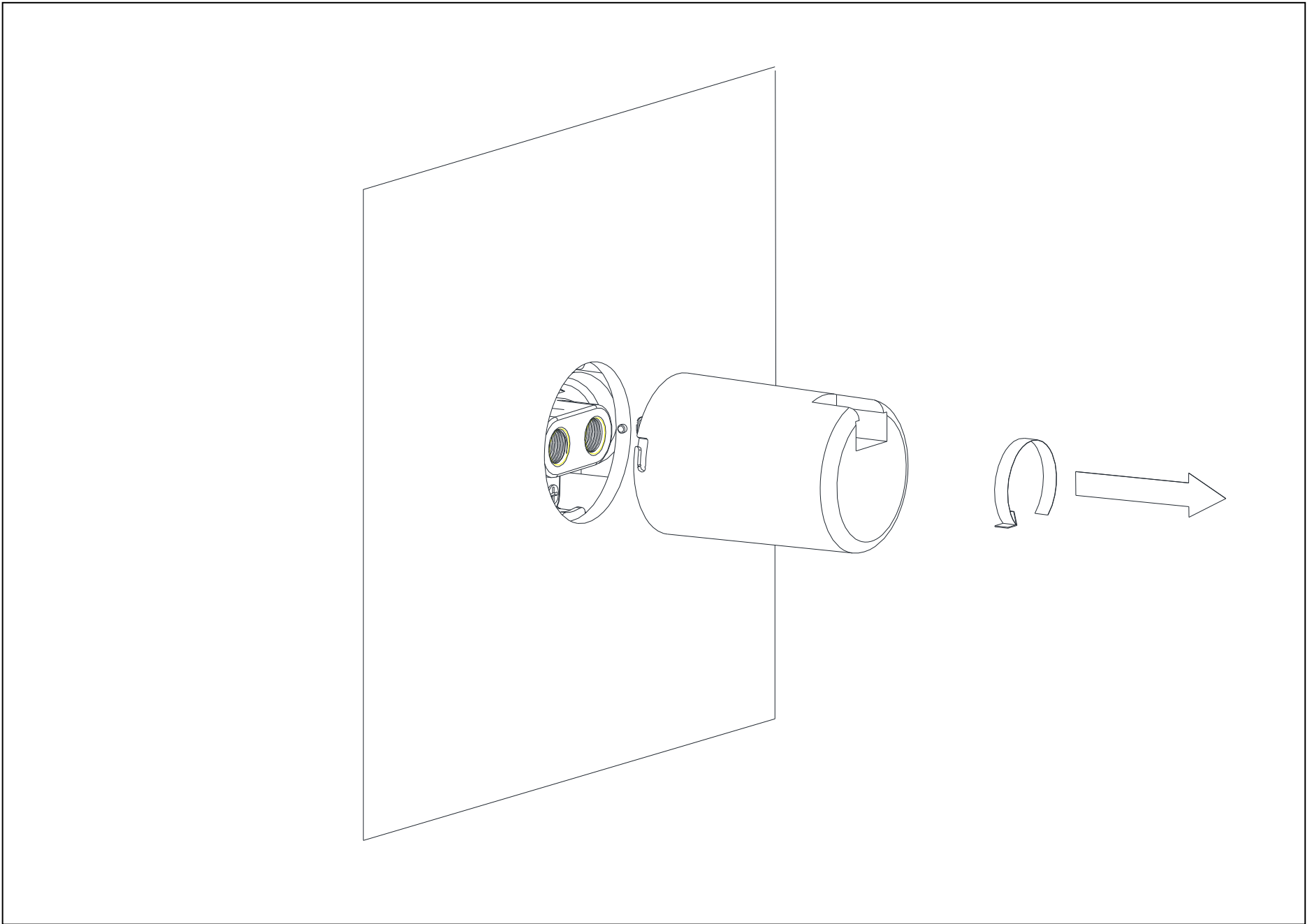


4.5 Drill the hole at the designated valve body location on the finished wall and complete the installation of the finished wall

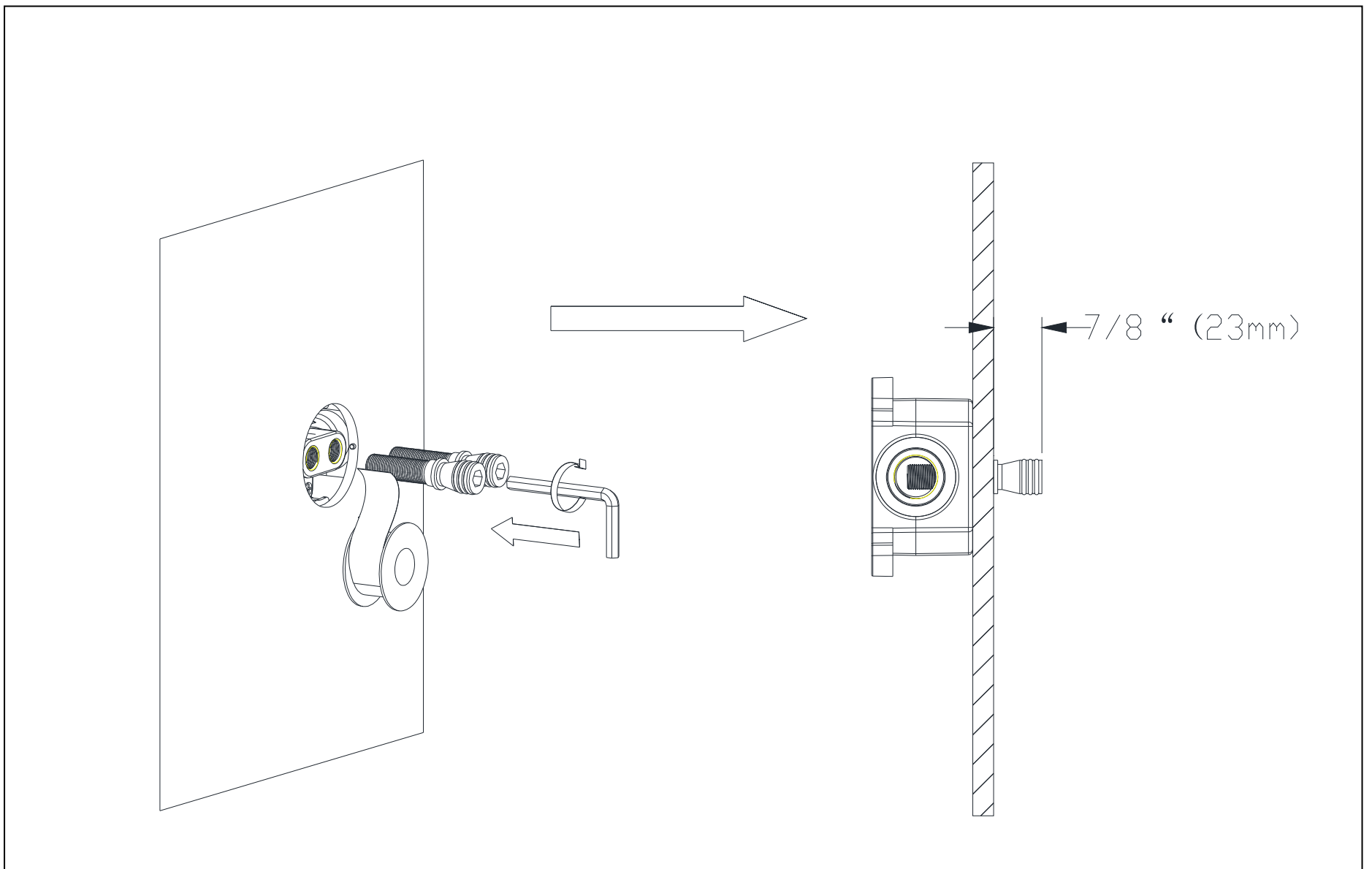
 Attention: For finished wall installations, the maximum allowable diameter for the opening is 3-1/8"(80 mm), and the minimum is 1-9/16"(40 mm).



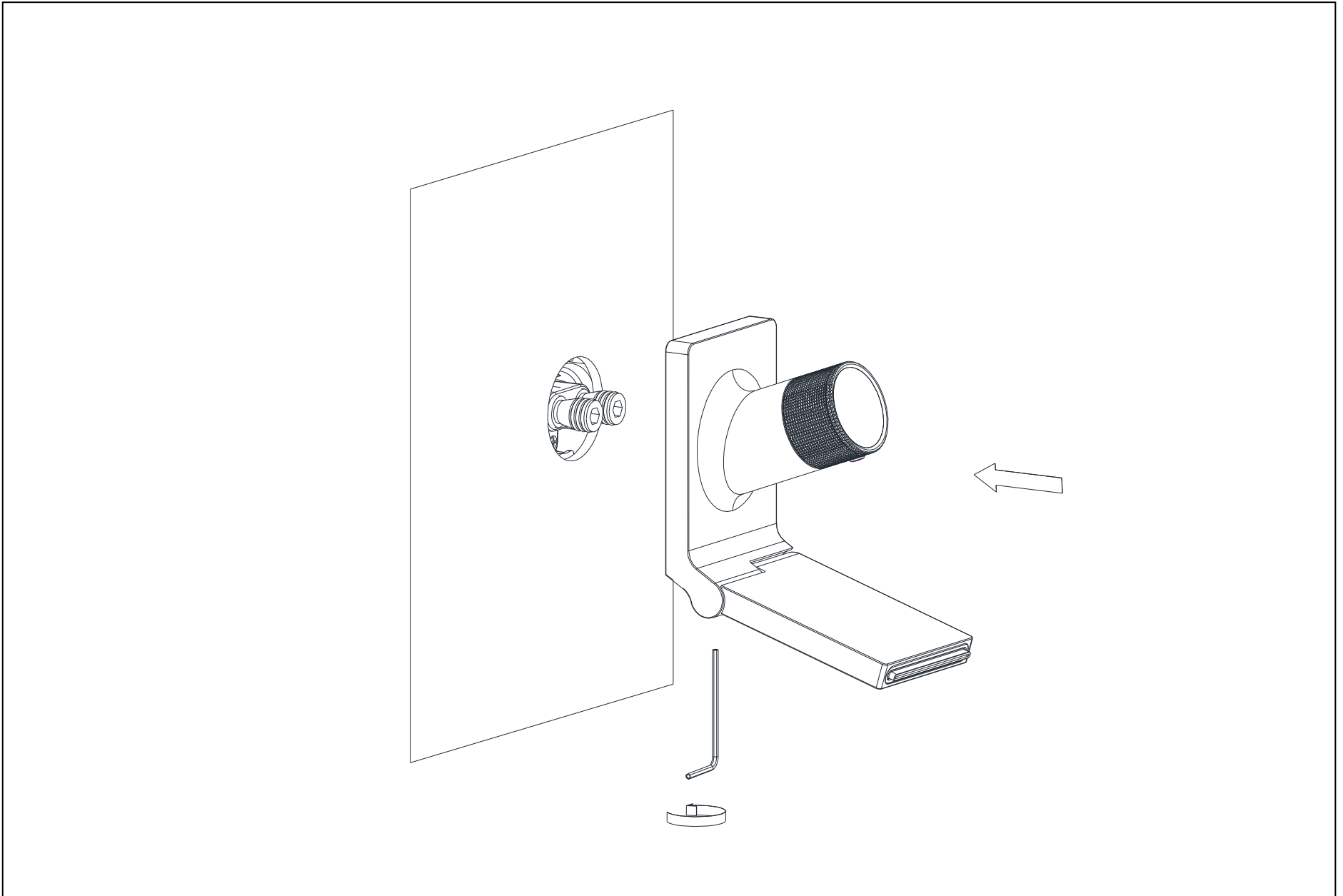
4.6 Remove the protective cover in preparation for the next step in the installation.



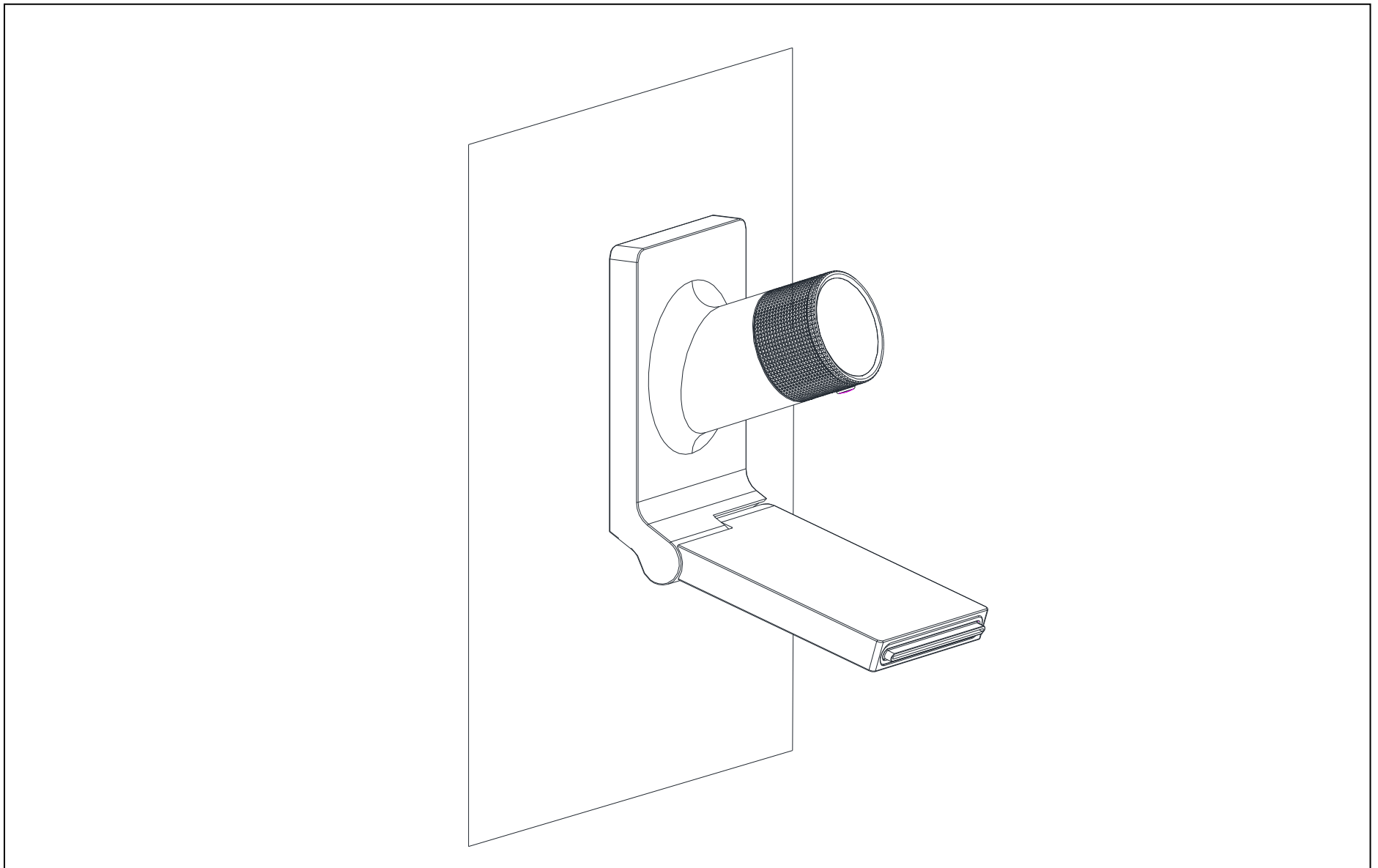
4.7 Wrap plumber's tape around the threading of the supply nipple connector. Ensure the tape is wound clockwise to align with the threading direction. Next, attach the supply nipple connector securely to the valve outlet.



4.8 Align the spout assembly with the supply connector and insert. Securely fasten it in place using the set screw from the underside.



4.9 Installation completed.



5. Operation Instructions

This faucet features a segmented design for controlling the mixed water temperature and flow rate. The temperature control knob, which also functions as an on/off switch, is located on the inner ring, while the flow control knob is positioned on the outer ring. For detailed visualization, please refer to Figure (a) below.

5.1 Temperature Control Knob Operation

Off Position: The temperature control knob has an integrated on/off function. When aligned to the 0-degree position (marked as OFF), the valve is closed and water flow is halted.

Turning On and Adjusting Temperature:

To Initiate Water Flow: Rotate the temperature control knob counterclockwise from the 0-degree position.

Adjusting Temperature: Continue rotating counterclockwise to gradually increase the water temperature from cold to hot.

Maximum Temperature: At -90 degrees, the water is a mix of hot and cold at a predetermined ratio. At -180 degrees, only hot water is dispensed, which can be extremely hot (caution advised to prevent burns).

To Turn Off: Simply rotate the temperature control knob clockwise back to the 0-degree position.

For further details, refer to Figure (b) below.

5.2 Flow Control Knob Operation

Flow Adjustment:

Maximum Flow: When the flow control knob is at the 0-degree position, the valve permits maximum water flow.

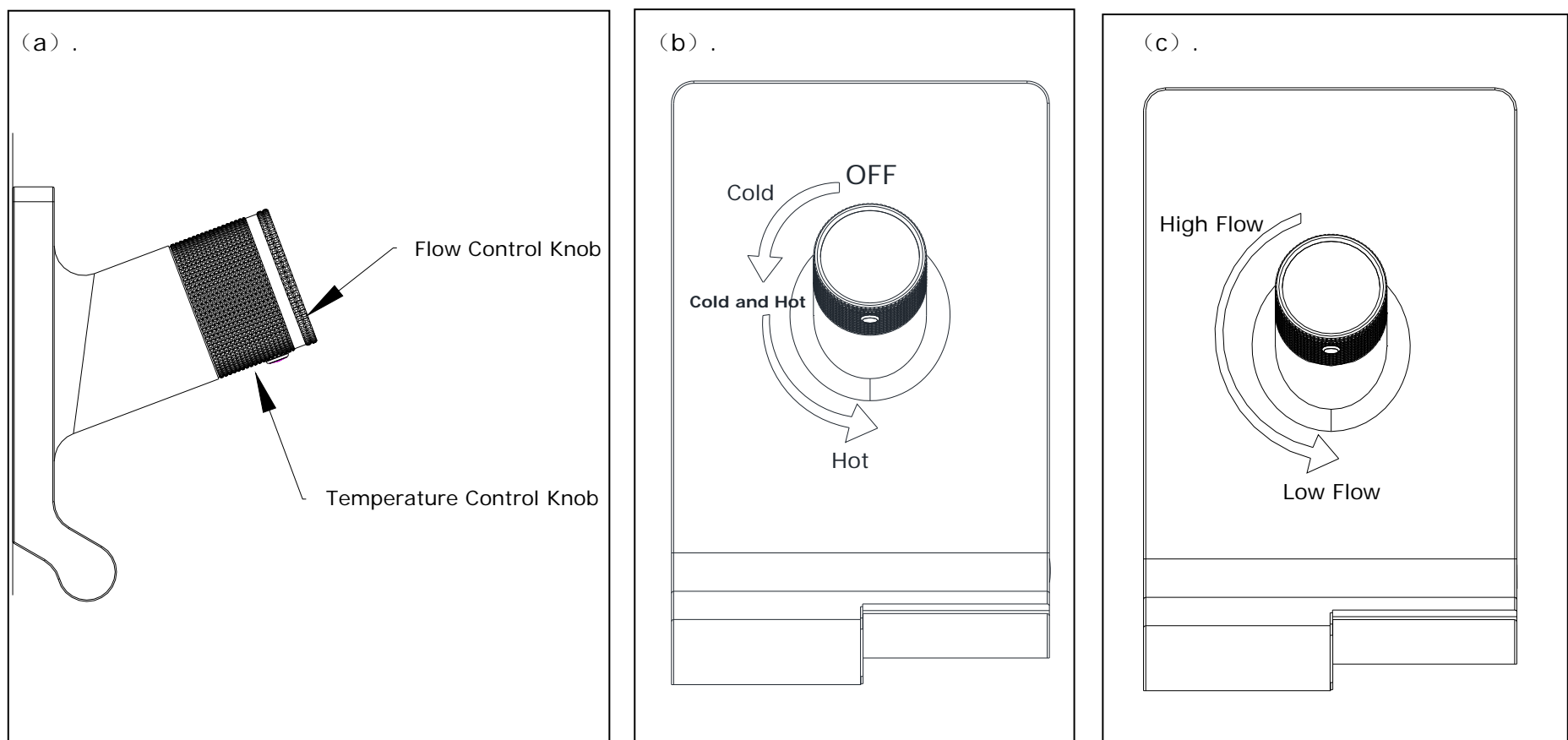
Reducing Flow: Rotate the flow control knob counterclockwise to gradually decrease the flow rate.

Minimum Flow: At -180 degrees, the valve allows the minimum flow rate.

Increasing Flow: Conversely, rotating the flow control knob clockwise will gradually increase the water flow.

Optimal Flow Setting: Adjust the flow based on the local water pressure to find the most suitable flow rate and set this value permanently. Frequent adjustments to the flow control knob are not necessary once the optimal flow is set. During regular use, only the temperature control knob needs to be operated, which will not affect the flow rate even though it might cause the flow control knob to rotate.

For additional details, refer to Figure (c) below.



5.3 Instructions for Adjustable Faucet Spout

This faucet features an innovative design with a flexible spout to accommodate various sink sizes and water pressures. The adjustable spout allows users to optimize the water discharge angle, ensuring minimal splash outside the basin. There are two methods for adjusting the angle of the spout:

Large Angle Adjustment

Range of Motion: The faucet spout can be adjusted with a 120-degree vertical swing. This wide range of movement allows for significant positional adjustments to suit different sink configurations and user preferences.

Fine Angle Adjustment

Aerator Adjustment: The aerator at the tip of the spout offers a 20-degree horizontal swing. This subtle adjustment capability helps fine-tune the direction of the water flow, providing precision control to avoid splashing.

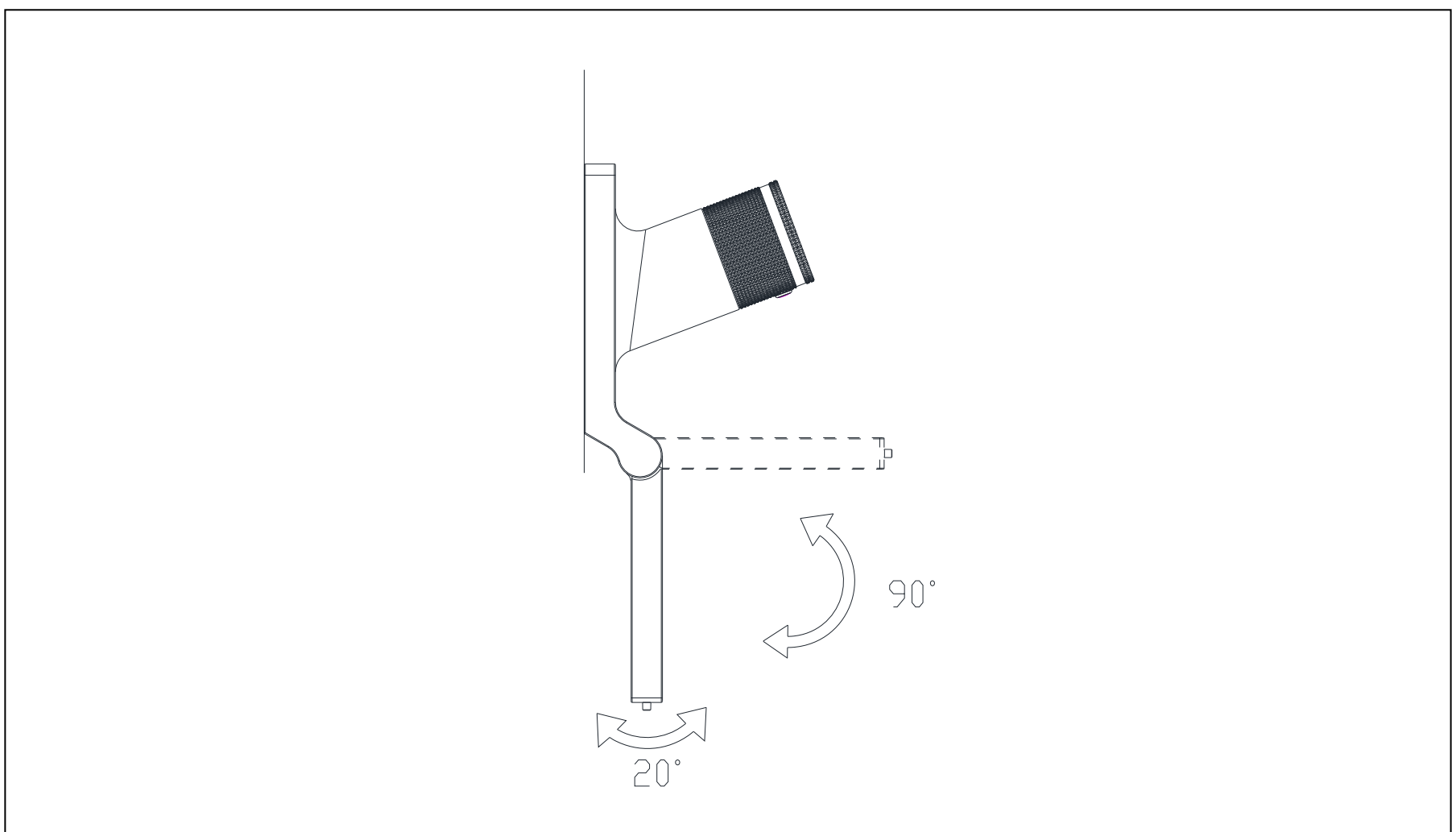
Instructions for Adjusting the Spout Angle

Large Angle Adjustment:

1. Gently grasp the base of the spout.
2. Tilt the spout upward or downward within the 90-degree range as needed to achieve the desired angle.

Fine Angle Adjustment:

1. Hold the tip of the spout where the aerator is located.
2. Carefully pivot the aerator forward or backward within the 20-degree range to finely adjust the water discharge angle.



6. INSPECTION

6.1 Turn on hot and cold water supply and check all connection for ensuring no leaking anywhere.

INSTALL FINISH

CLEARING RECOMMENDATION FOR SUMERAIN PRODUCTS

Modern lavatory faucets, kitchen faucets, and showers consist of very different materials to comply with the needs of the market with regard to design and functionality. To avoid damage and returns, it is necessary to consider certain criteria when cleaning.

Cleaning Materials for faucets and showers

Acids are a necessary ingredient of cleaning materials for removing lime, however please pay attention to the following points when cleaning faucets and showers:

- Only use cleaning materials which are explicitly intended for this type of application.
- Never use cleaning materials which contain hydrochloric, formic, phosphoric, or acetic acid, as they cause considerable damage.
- Never mix one cleaning material with another.
- Never use cleaning materials or appliances with an abrasive effect, such as unsuitable cleaning powders, sponge pads, or micro fiber cloths.

Cleaning instructions for faucets and showers

Please follow the cleaning material manufacturer's instructions. In addition, pay attention to the following points:

- Clean the faucets and showers as and when required.
- Use the amount of cleaning product and the amount of time recommended by the manufacturer. Do not leave the cleaner on the fixture longer than necessary.
- Regular cleaning can prevent calcification, if scale deposits are noticed on the faucet surface or the spout, you can clean it by a commercial limescale remover, such as Lime-Away® or CLR®. Dilute the remover according to the label instructions.
- The faucets might have some rusty if your faucet under hard water condition, please rub it with aluminum foil dipped in water until the surface is nice and smooth, and wipe it use a small amount of chrome polish or maybe something like car wax (such as Meguiar®, Turtle Wax®) or polish.
- For stainless steel faucet and spout both made of solid stainless, normally this finish has not protective coating on it (in particular waterfall spout inside), stainless steel is by its material nature very tarnish resistant, but by no means tarnish or stain proof. This finish might oxidize naturally over time and react to its environment. Keep your stainless fixture wiped clean and dry and use only a cleaner specifically made for stainless steel (such as Weiman®, CLR®).
- When using spray cleaners, spray first onto a soft cloth or sponge, never spray directly onto the faucet as droplets can enter openings and gaps and cause damage.
- After cleaning, rinse thoroughly with clean water to remove any cleaner residue.

Important

Residues of liquid soaps, shampoos, and shower foams can also cause damage, so rinse with clean water after using.



Please note: if the surface is already damaged, the effect of cleaning materials will cause further damage.

Components with damaged surfaces must be replaced or injury could result.

Damage caused by improper treatment is not covered under the warranty.

SUMERAIN®

SUMERAIN INTERNATIONAL GROUP INC

Address: 1226 NORTH KING ST NUM 522
WILMINGTON, DE 19801
United States

Tel: +1(866)203-0866

Web: <http://www.sumerain.com>

E-mail: supports@sumerain.us

SUMERAIN EUROPE SUPPORT

Address: Flottwellstr. 15
10785 Berlin,
Deutschland

Tel: +49 (0)30/23975898

E-mail: de@sumerain.com

HONGKONG SUMERAIN SANITARY INDUSTRY CO., LIMITED

Address: FLAT/RM 3B 3/F BANK TOWER
NOS.351&353 KING'S ROAD
NORTH POINT, HK

Tel: +86-750-2731579

E-mail: supports@sumerain.com