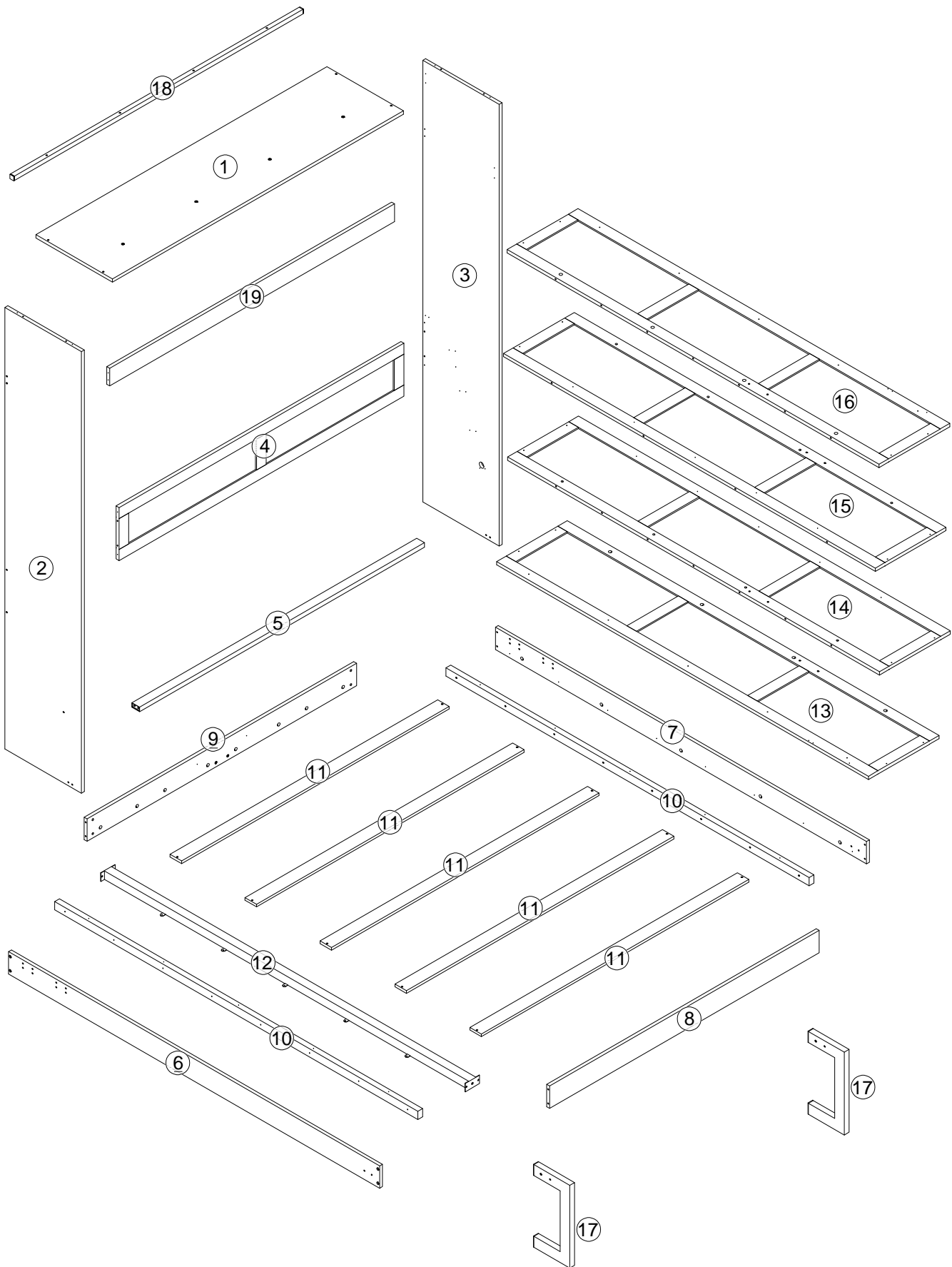
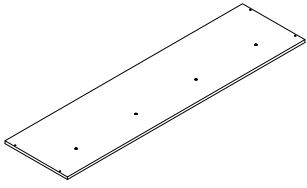
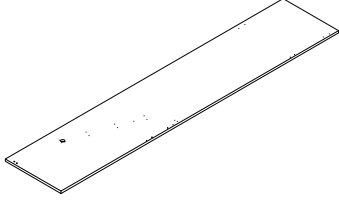
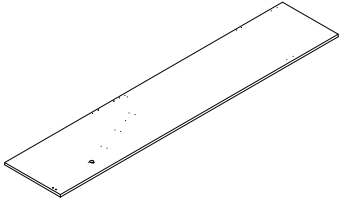
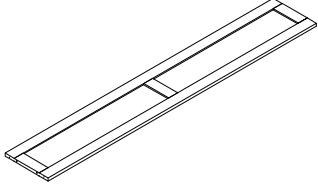
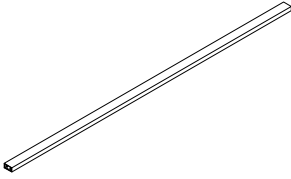
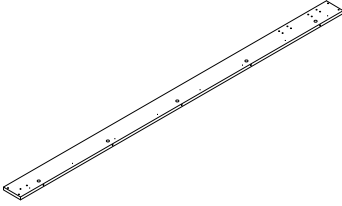
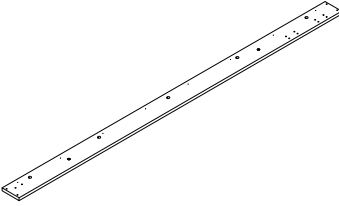
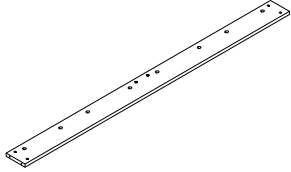
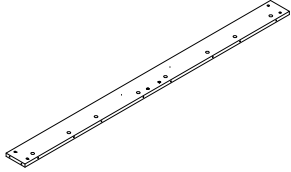
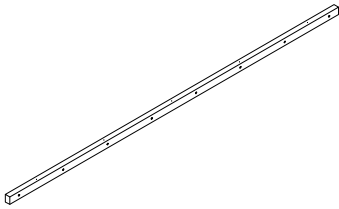
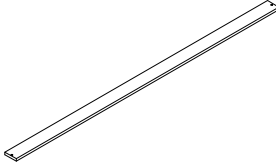
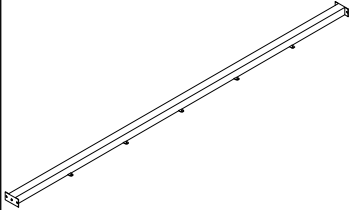
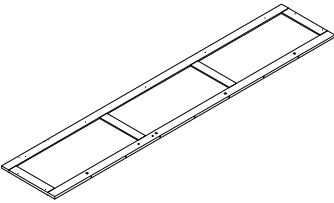
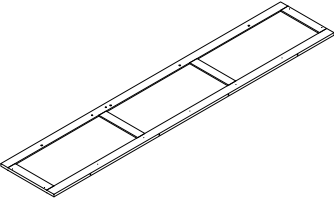
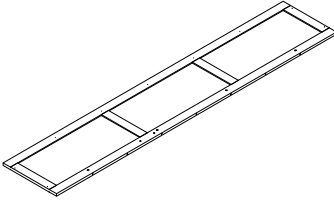
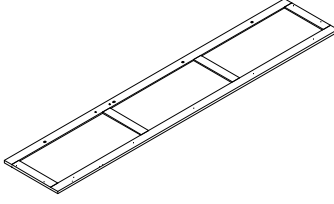
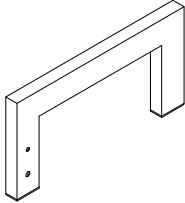
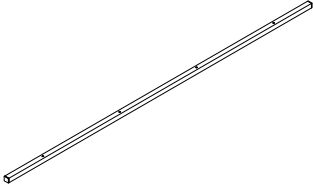
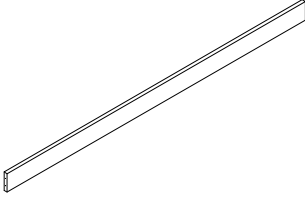


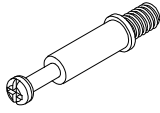

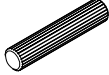

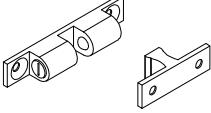
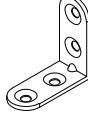

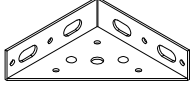
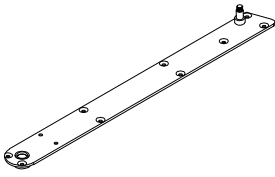
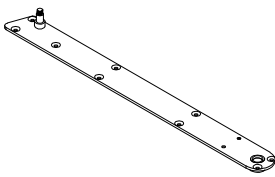
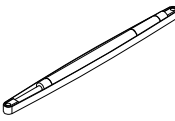
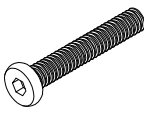
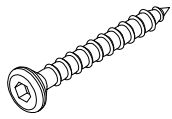
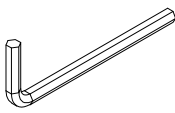
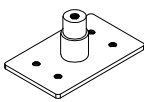
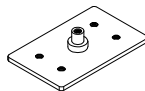
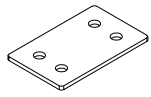

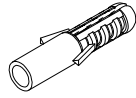
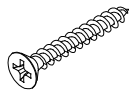
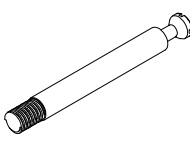

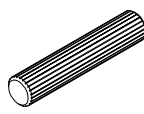
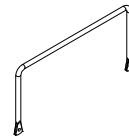
Installation instruction



Parts and Operation Elements

			
① 1 pc	② 1 pc	③ 1 pc	④ 1 pc
			
⑤ 1 pc	⑥ 1 pc	⑦ 1 pc	⑧ 1 pc
			
⑨ 1 pc	⑩ 2 pcs	⑪ 5 pcs	⑫ 1 pc
			
⑬ 1 pc	⑭ 1 pc	⑮ 1 pc	⑯ 1 pc
			
⑰ 2 pcs	⑱ 1 pc	⑲ 1 pc	

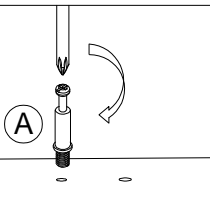
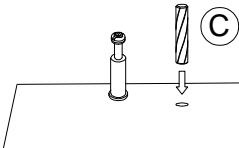
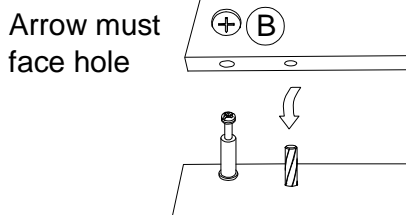
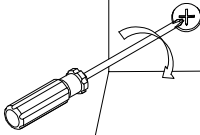
Hardware

							
Cam bolt		Cam Lock		6x30mm Wood dowel		3x12mm screw	
A	26+3 pcs	B	34+3 pcs	C	8+1 pcs	D	10+1 pcs
							
Hardware E		Hardware F		4x14mm screw		Hardware H	
E	2 pcs	F	2 pcs	G	32+3 pcs	H	2 pcs
							
Hardware J		Hardware K		Cam bolt		6x35mm screw	
J	1 pc	K	1 pc	L	2 pcs	M	4 pcs
							
5x45mm screw		Hardware O		Hardware P		Hardware Q	
N	12+1 pcs	O	1 pc	P	2 pcs	Q	2 pcs
							
Hardware R		6x20mm screw		30mm wall plug		4x35mm screw	
R	4 pcs	S	2 pcs	T	4 pcs	U	20+2 pcs
							
Cam bolt		Hardware W		8x40mm Wood dowel		Hardware Y	
V	8 pcs	W	16 pcs	X	10+1 pcs	Y	1 pc

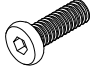
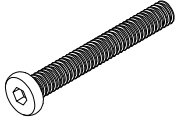
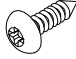

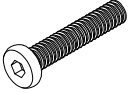

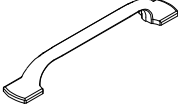

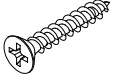
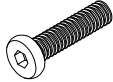

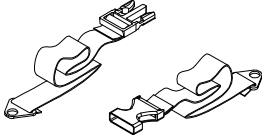
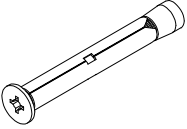
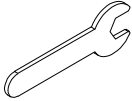


SPARE BAG

THE SPARE BAG INCLUDED EXTRA HARDWARE FOR DAMAGED OR MISSING SMALL HARDWARE WHILE YOU ARE ASSEMBLING

			
Gently screw cam bolt into the threaded anchor.	Insert the wood dowel halfway into hole.	Arrow must face hole	Screw the camlock firmly into locked position.

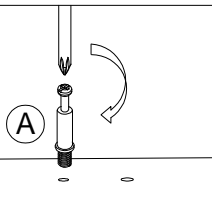
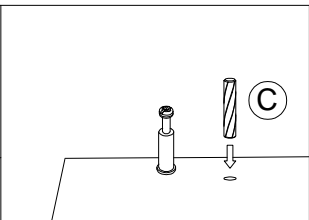
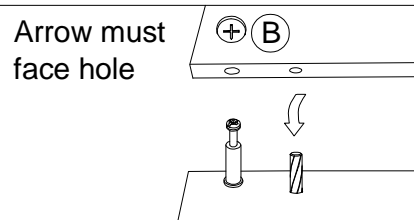
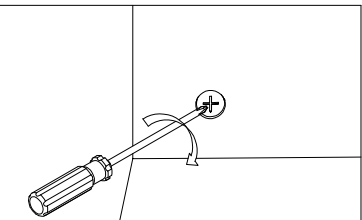
Hardware

							
Z	10+1 pcs	AA	8 pcs	BB	10+1 pcs	CC	2 pcs
							
DD	2 pcs	EE	2 pcs	FF	4 pcs	GG	8 pcs
							
HH	10+1 pcs	JJ	16+1 pc	KK	2 pcs	LL	2 pcs
							
MM	2 pcs	NN	1 pc				

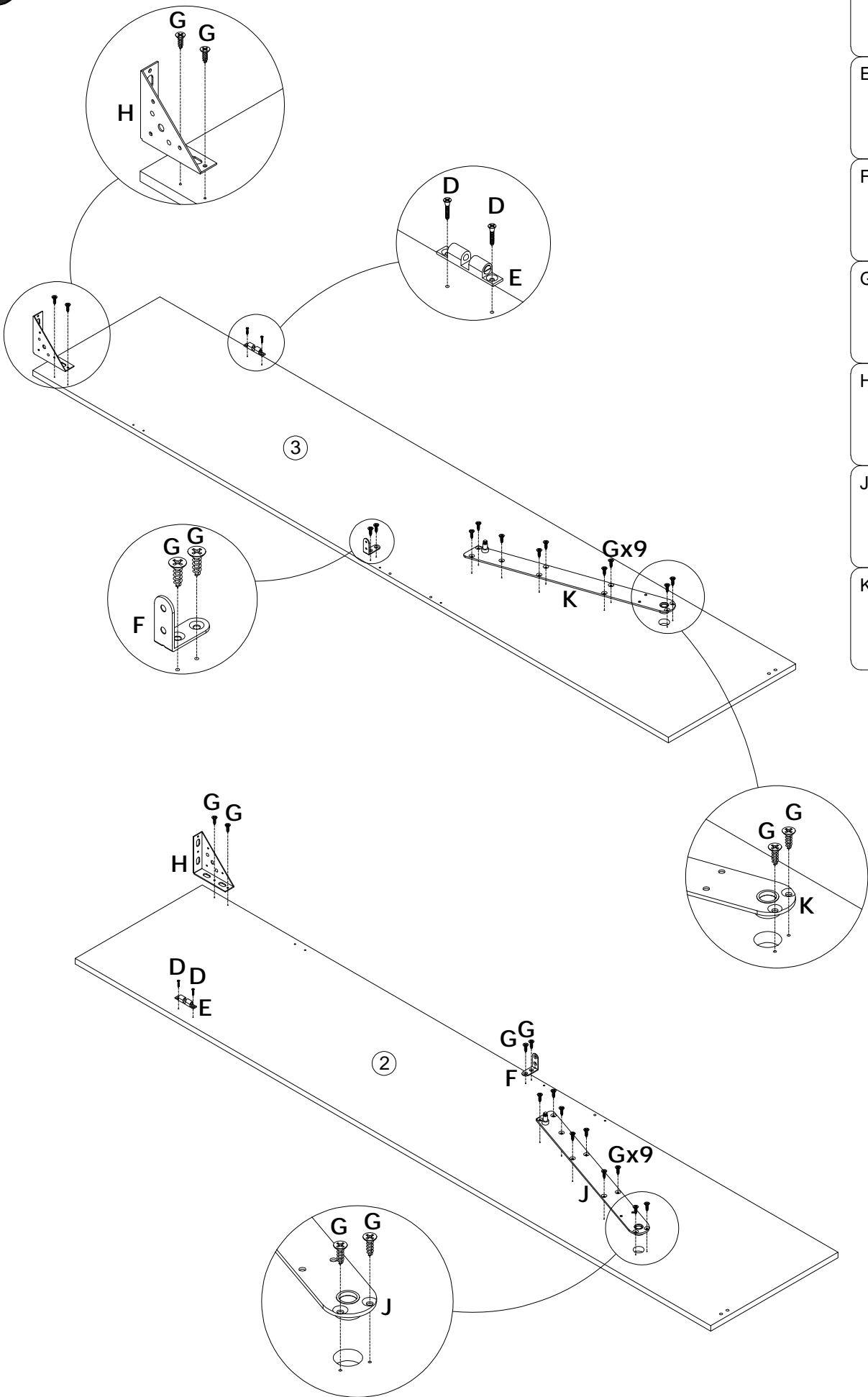


SPARE BAG

THE SPARE BAG INCLUDED EXTRA HARDWARE FOR DAMAGED OR MISSING SMALL HARDWARE WHILE YOU ARE ASSEMBLING

			
Gently screw cam bolt into the threaded anchor.	Insert the wood dowel halfway into hole.	Arrow must face hole	Screw the camlock firmly into locked position.

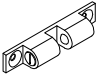
1



D x 4



E x 2



F x 2



G x 26



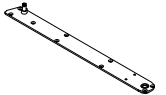
H x 2




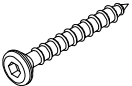
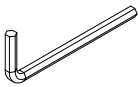
J x 1

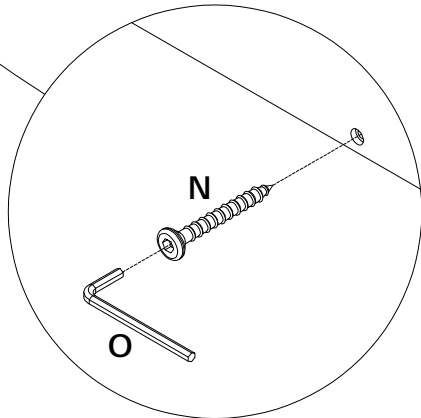
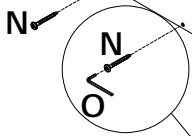
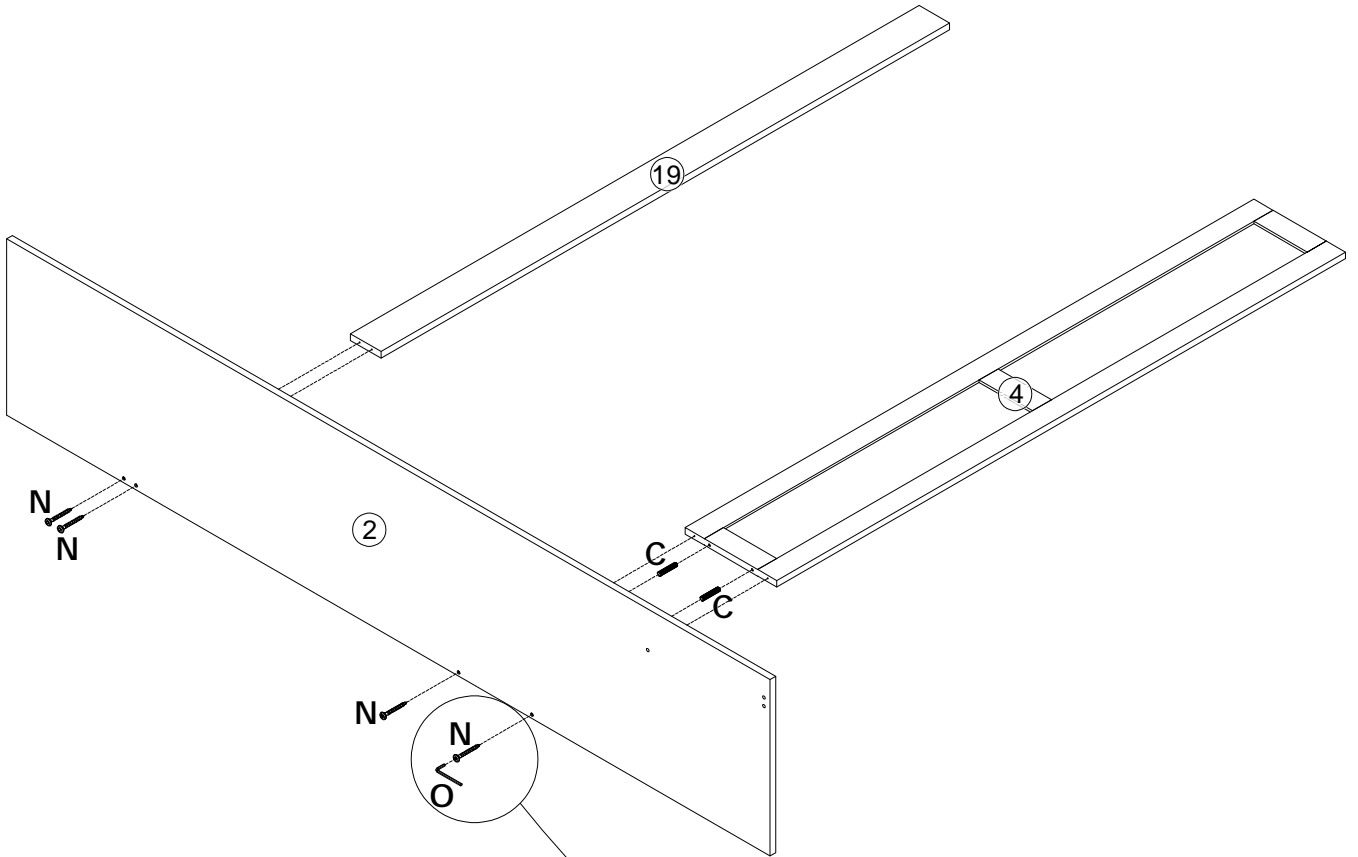


K x 1



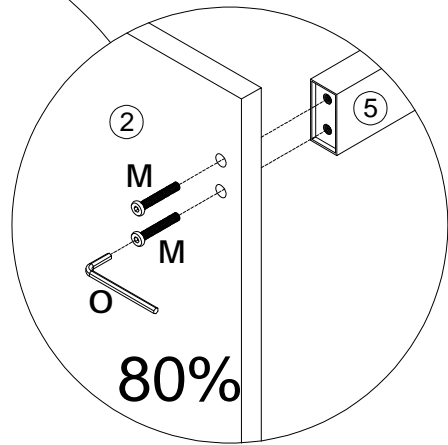
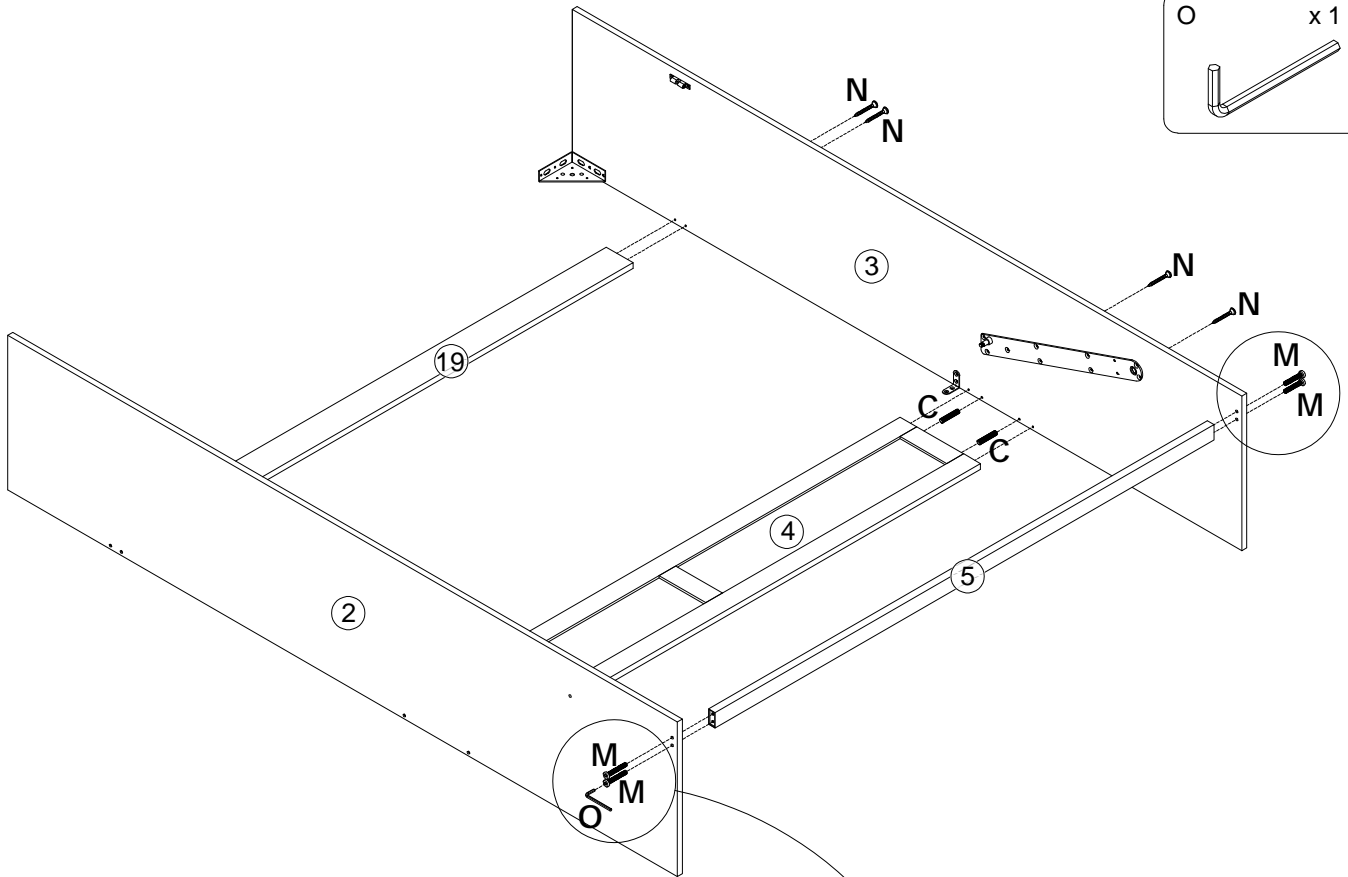
2

- C x 2 
- N x 4 
- O x 1 

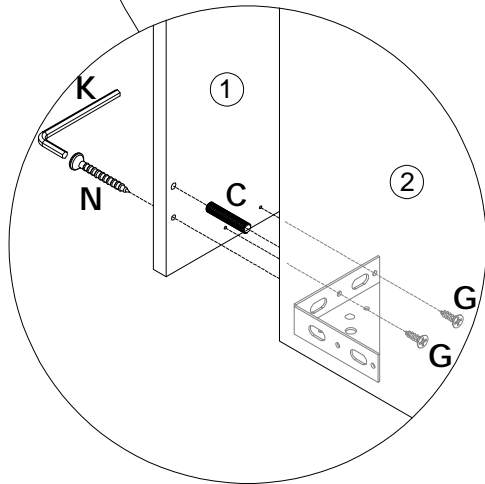
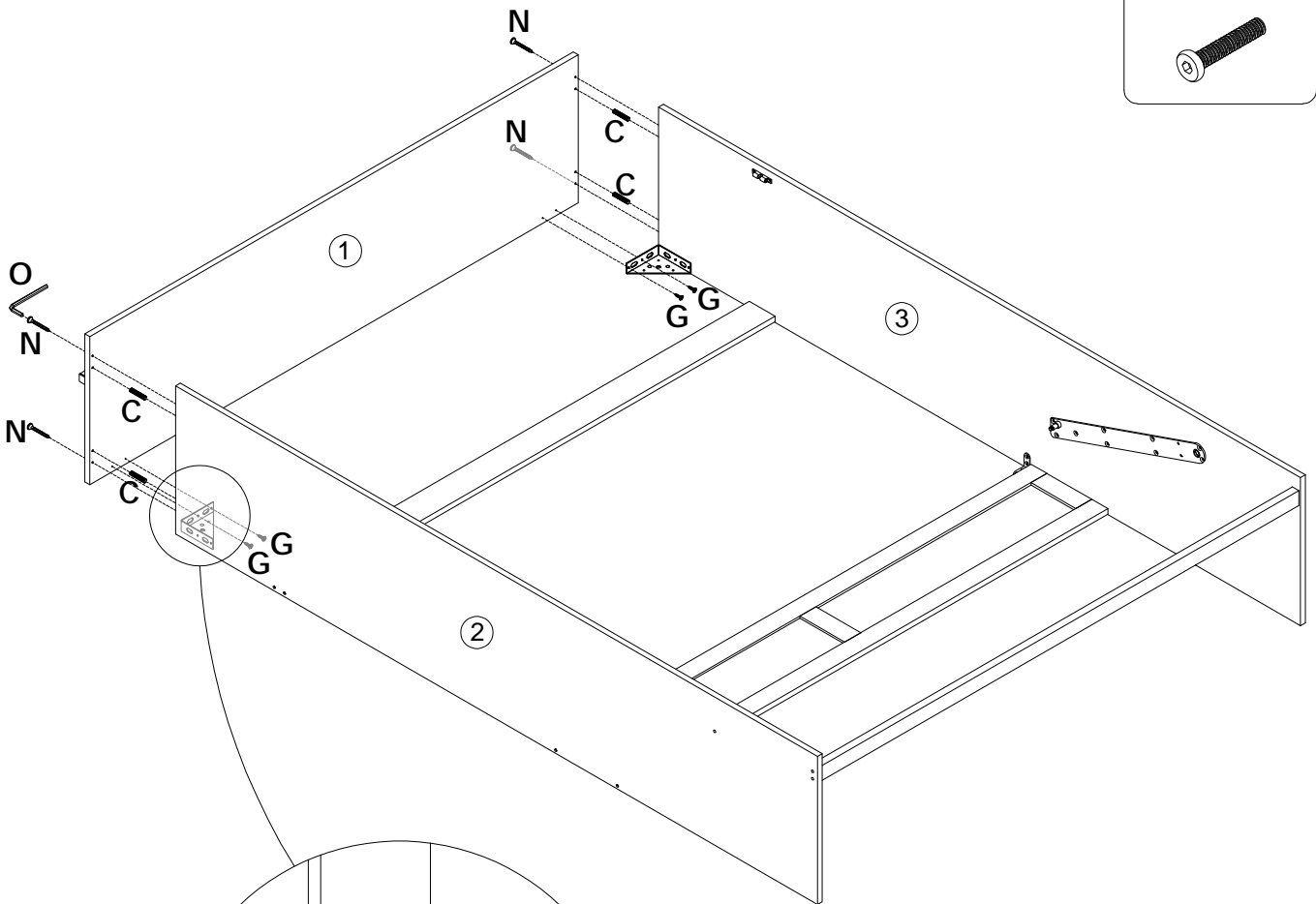
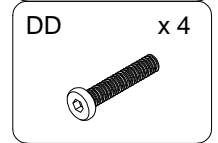
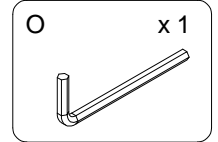
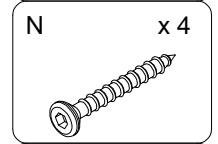
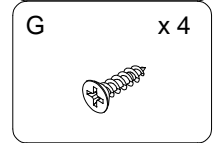
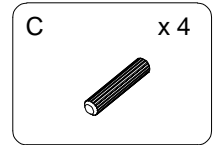
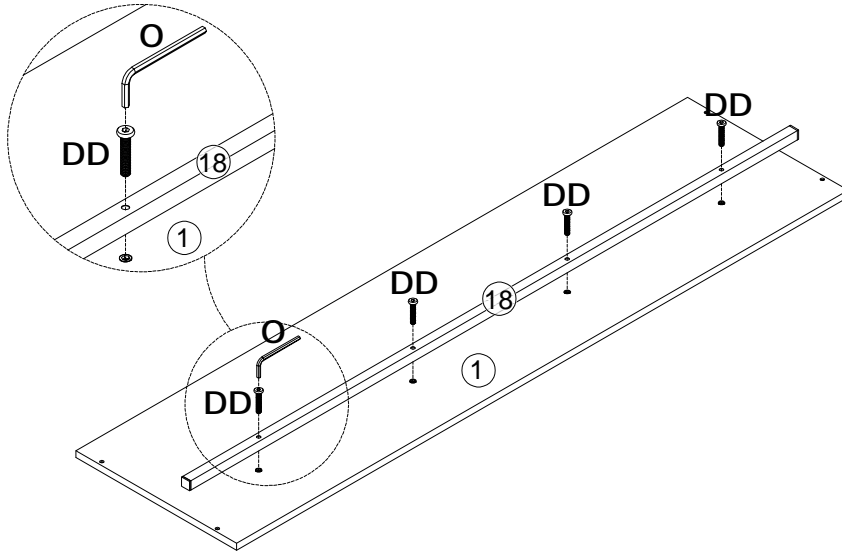


3

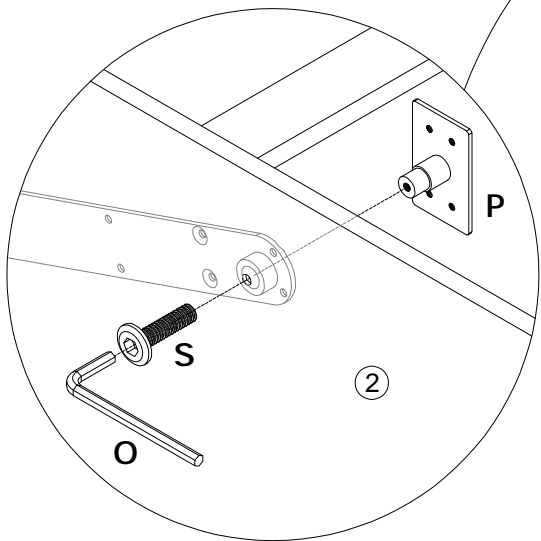
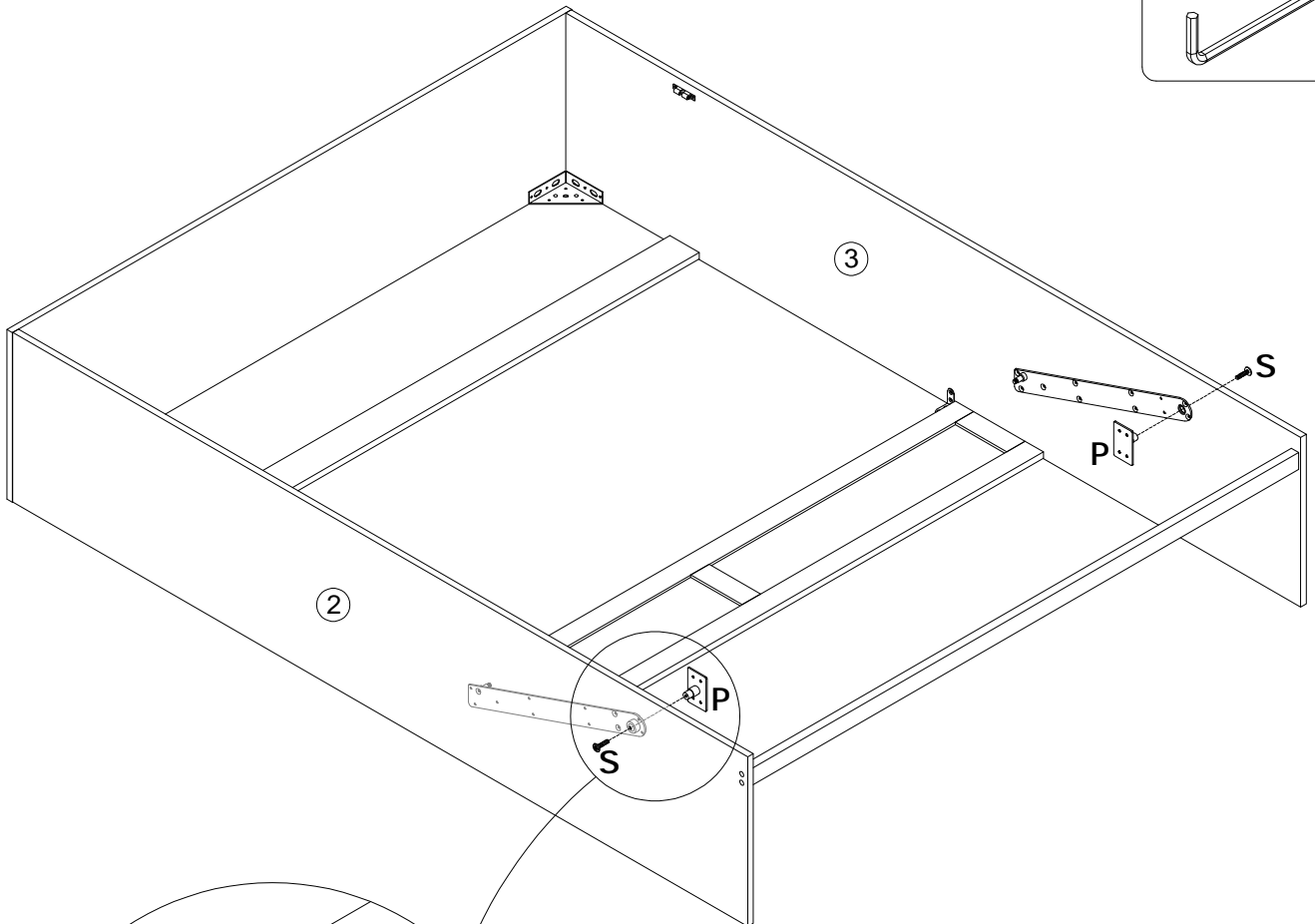
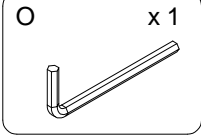
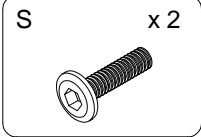
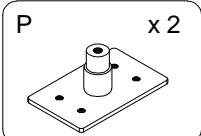
- C x 2
- M x 4
- N x 4
- O x 1



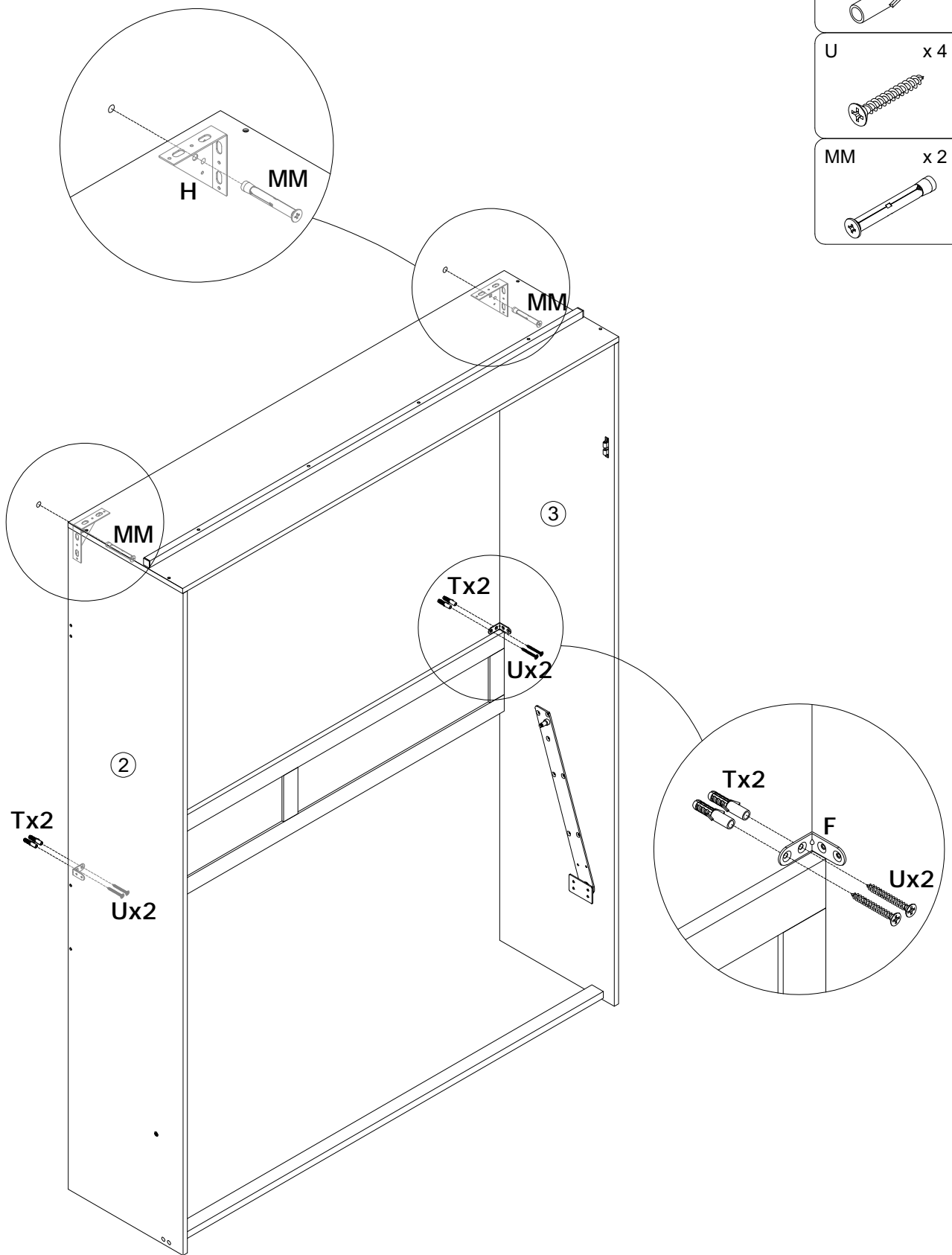
4



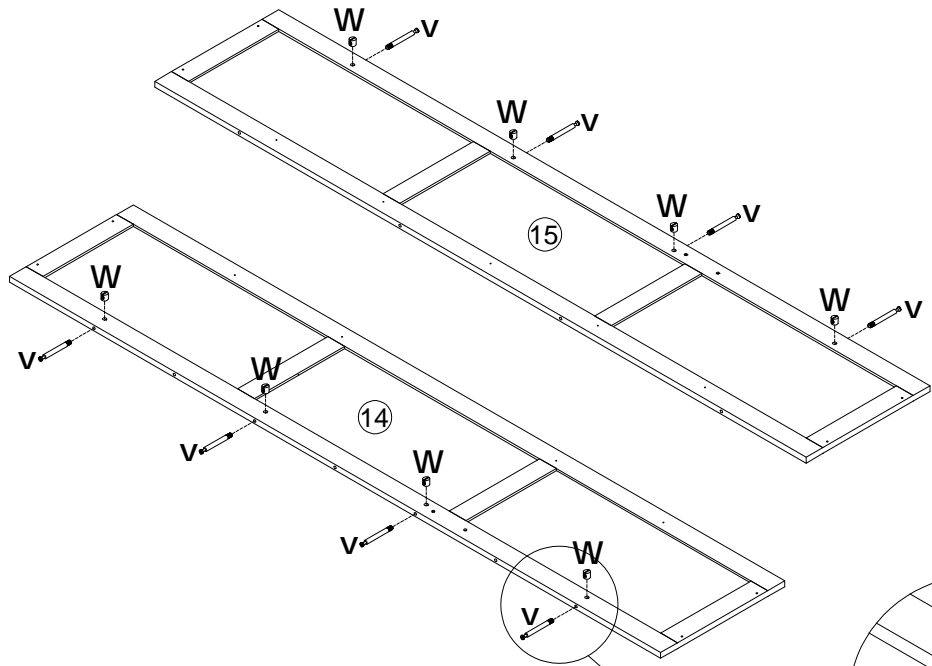
5



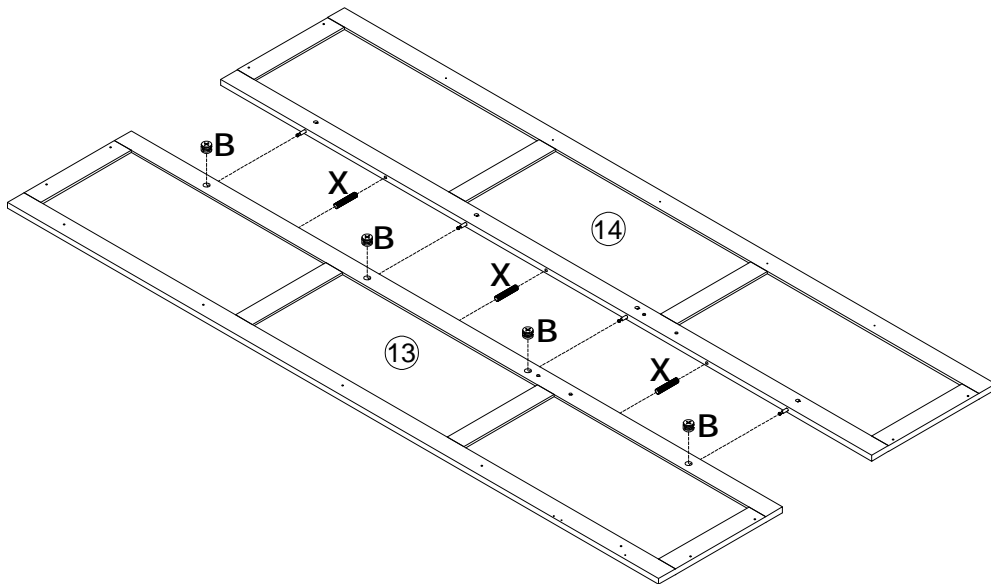
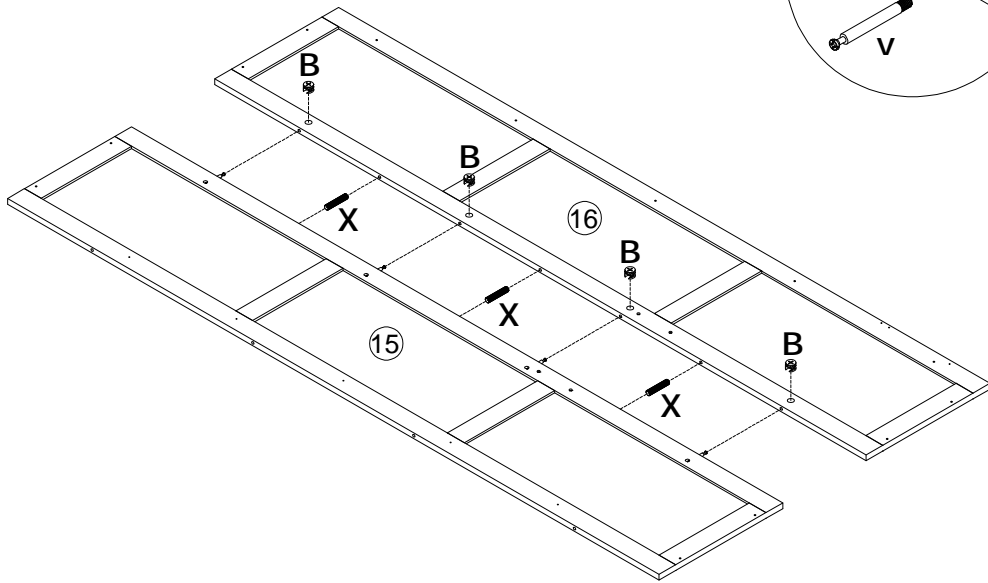
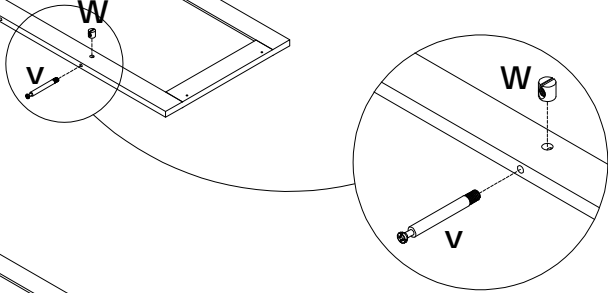
6



7

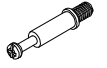


- B x 8
- V x 8
- W x 8
- X x 6

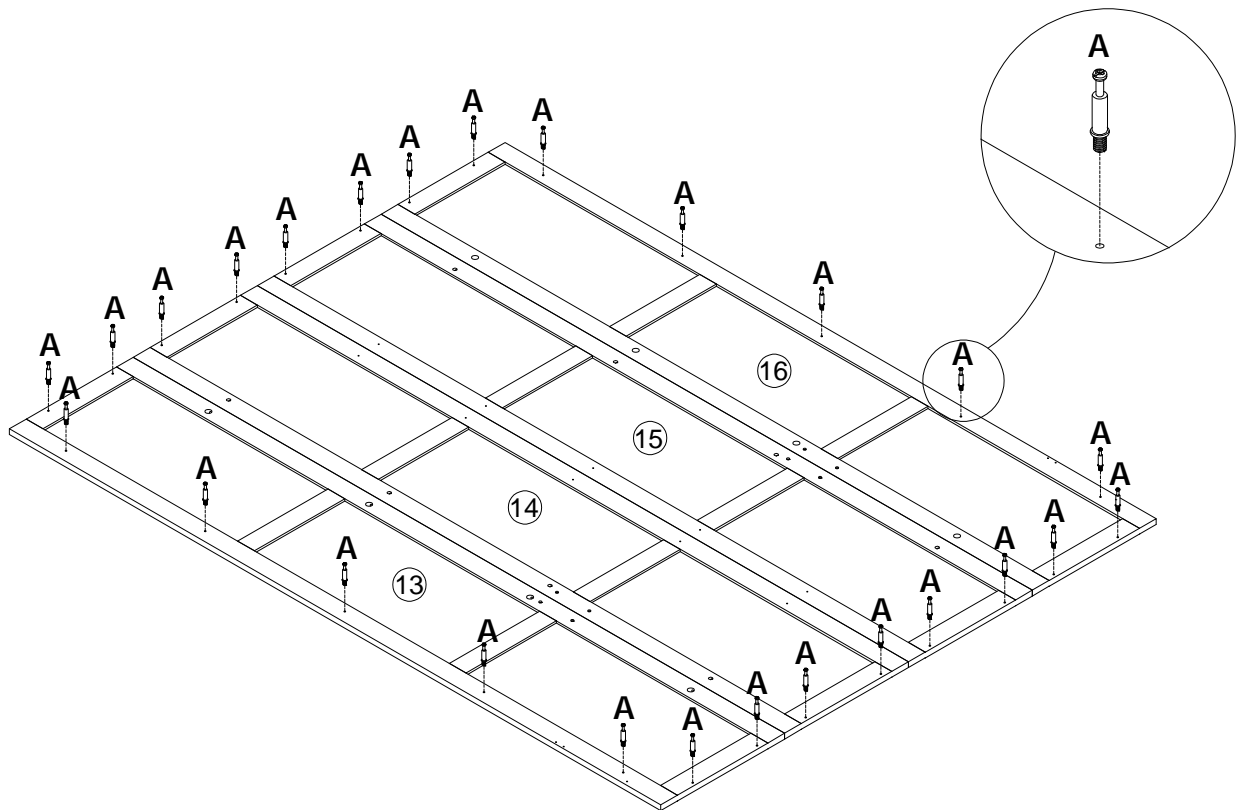
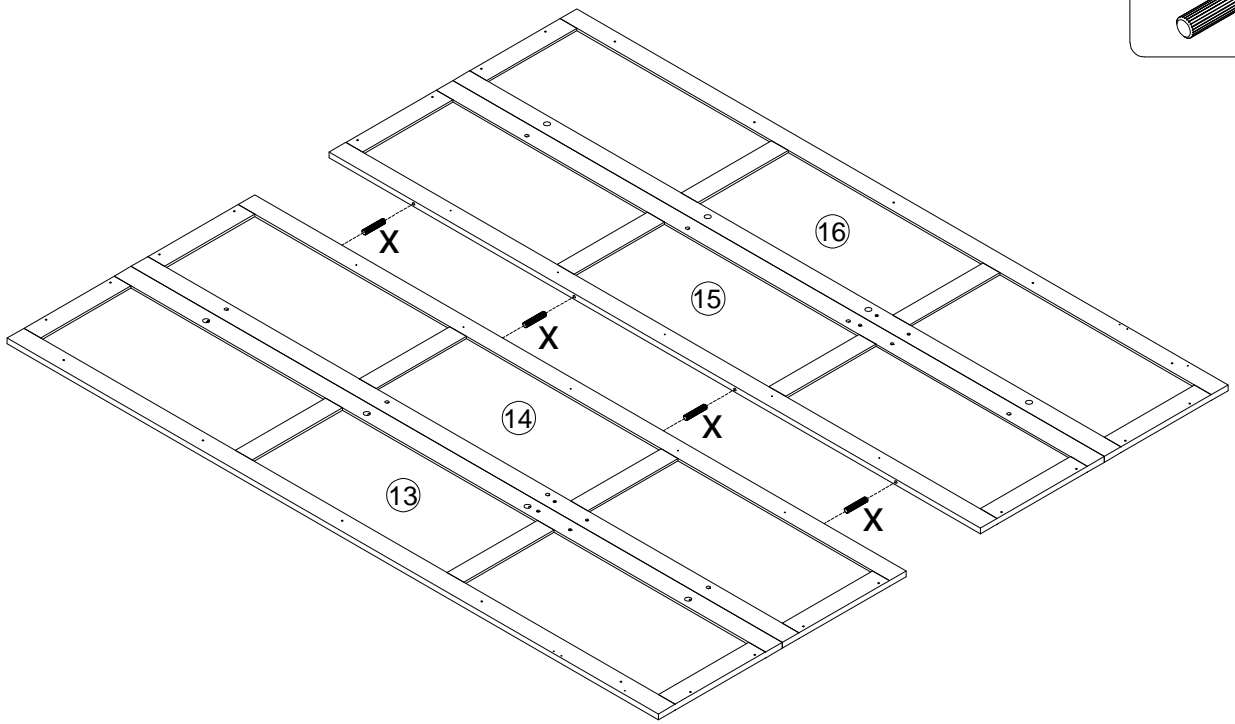


8

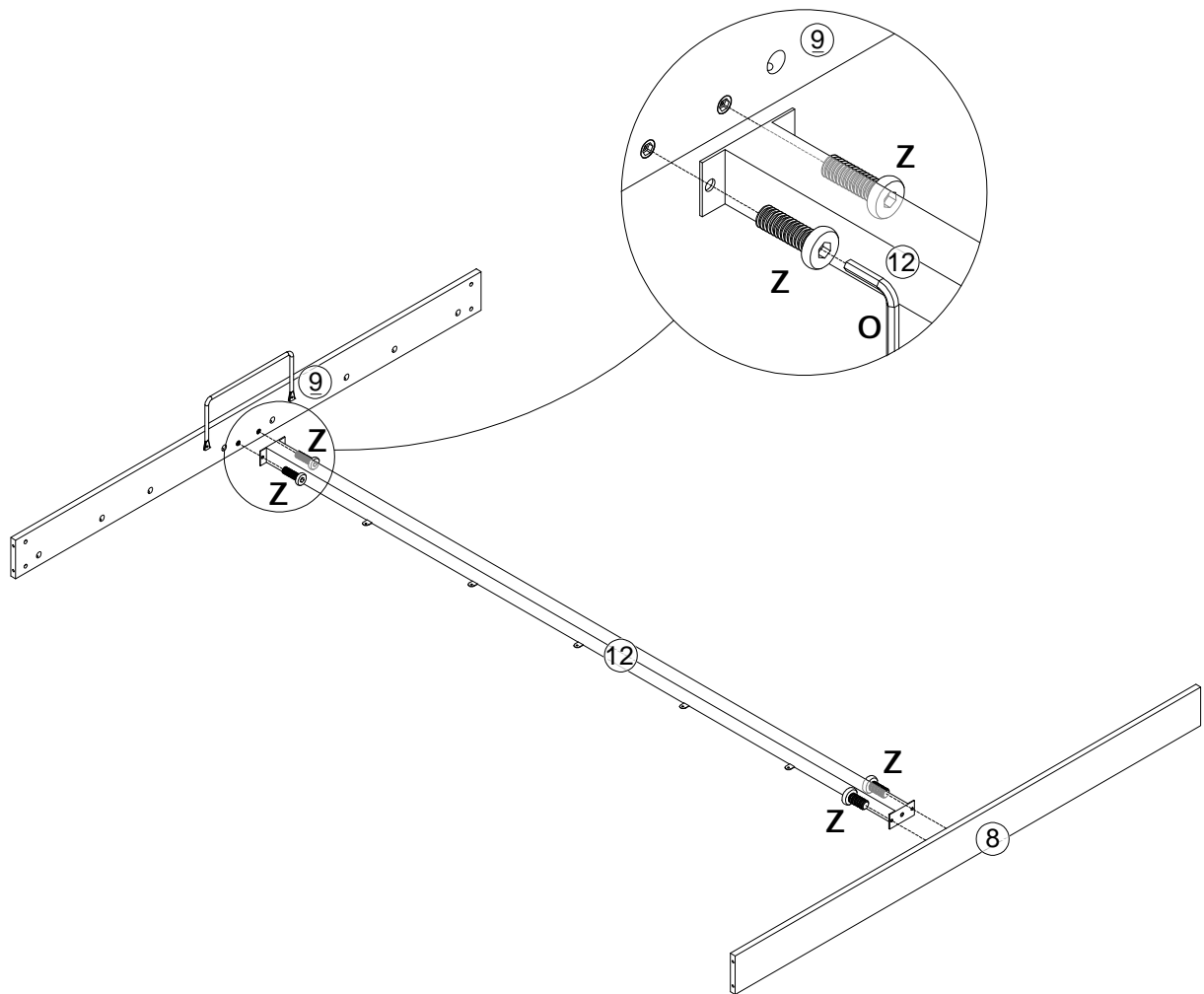
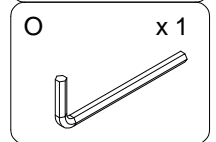
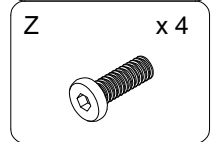
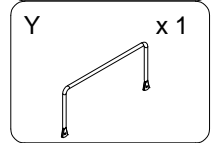
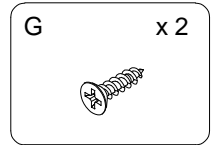
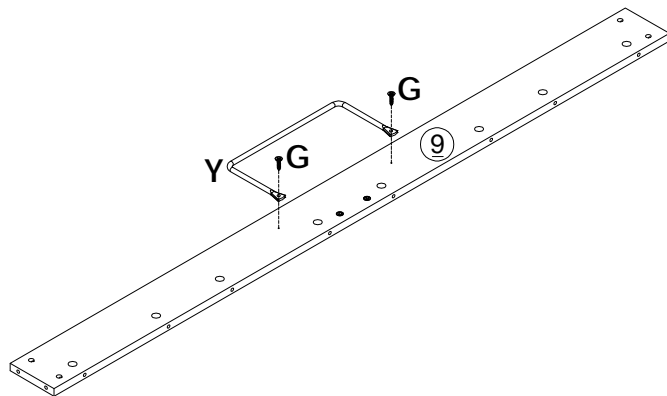
A x 26






X x 4

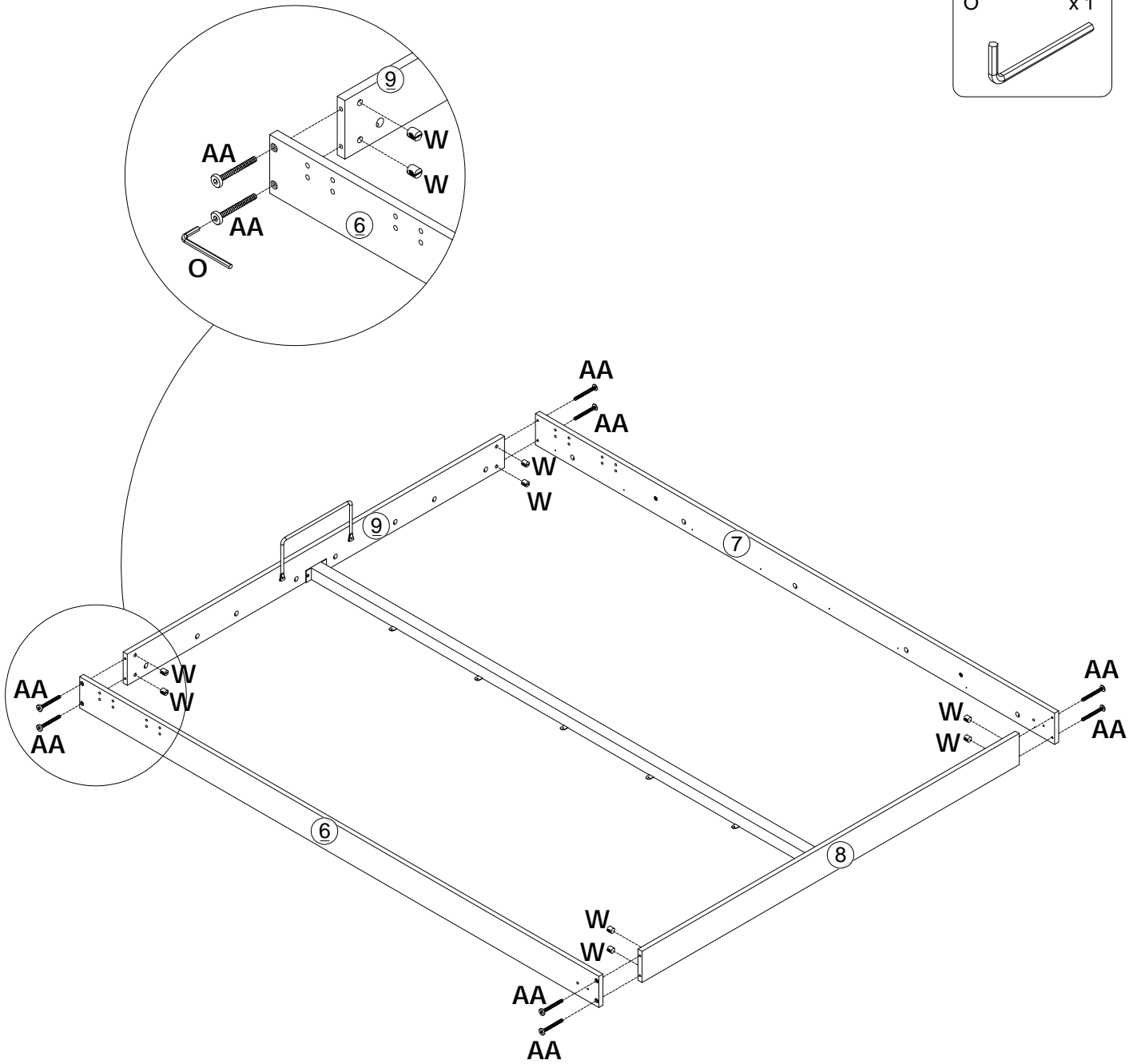


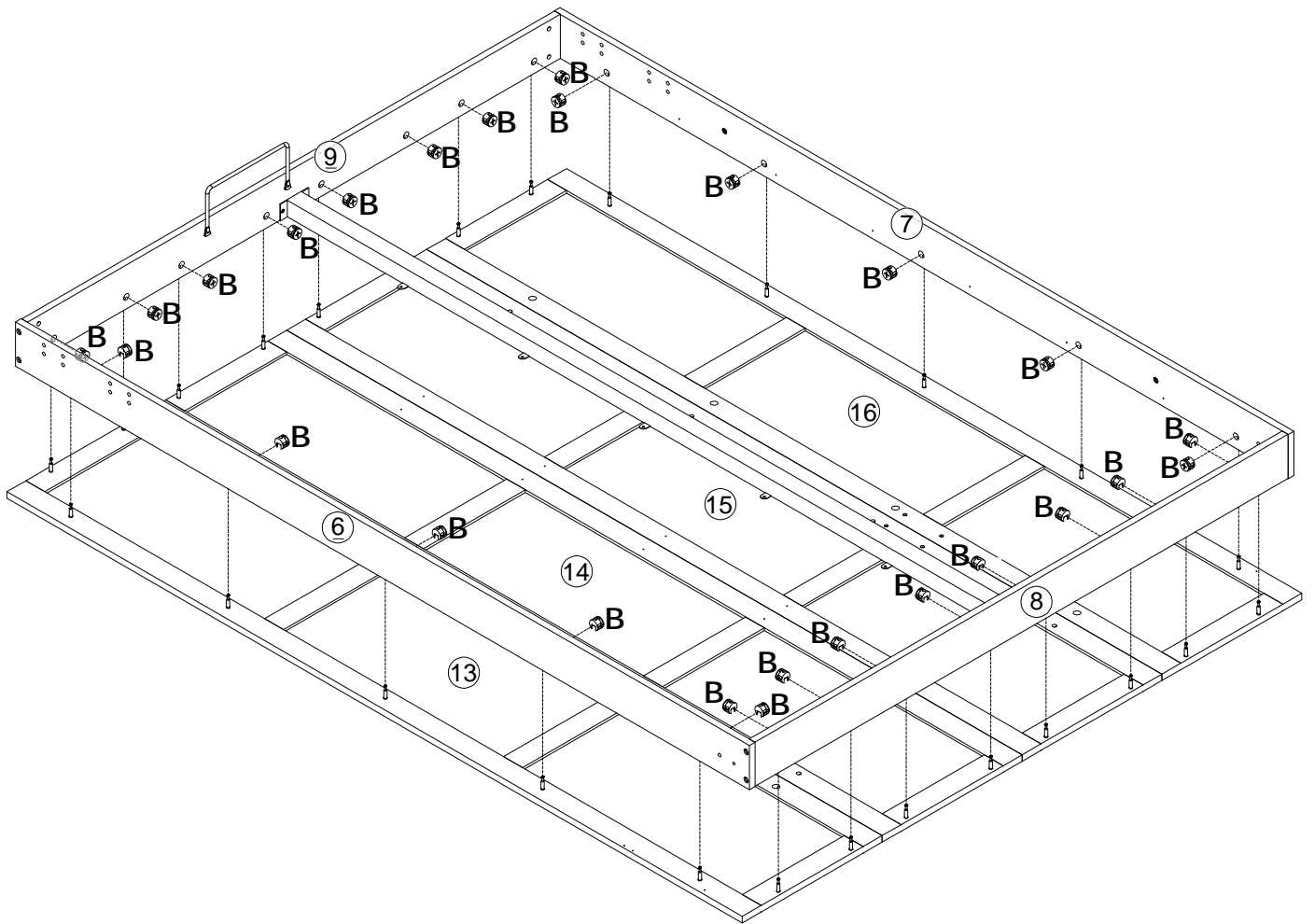
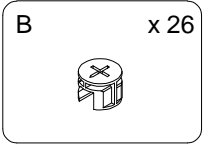
9



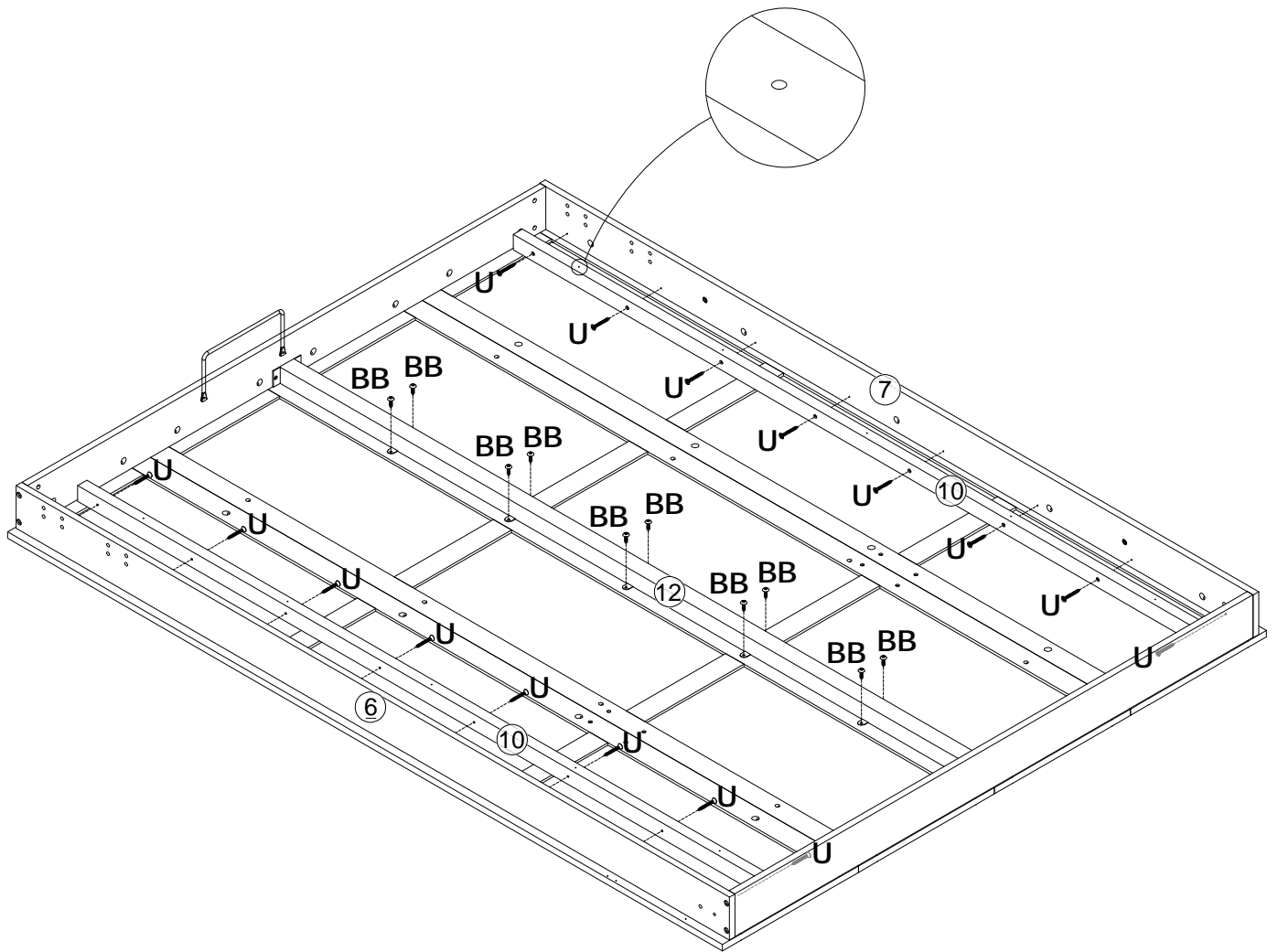
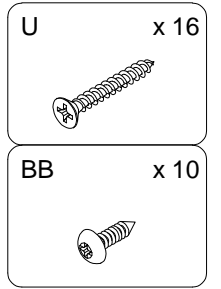
10

- W x 8

- AA x 8

- O x 1



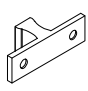



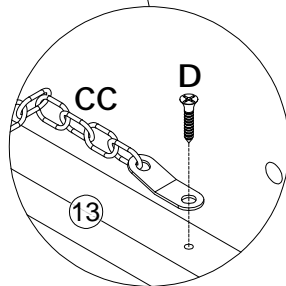
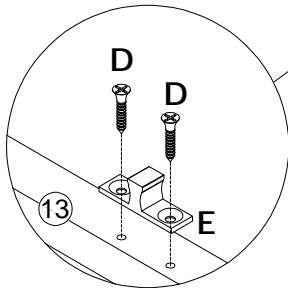
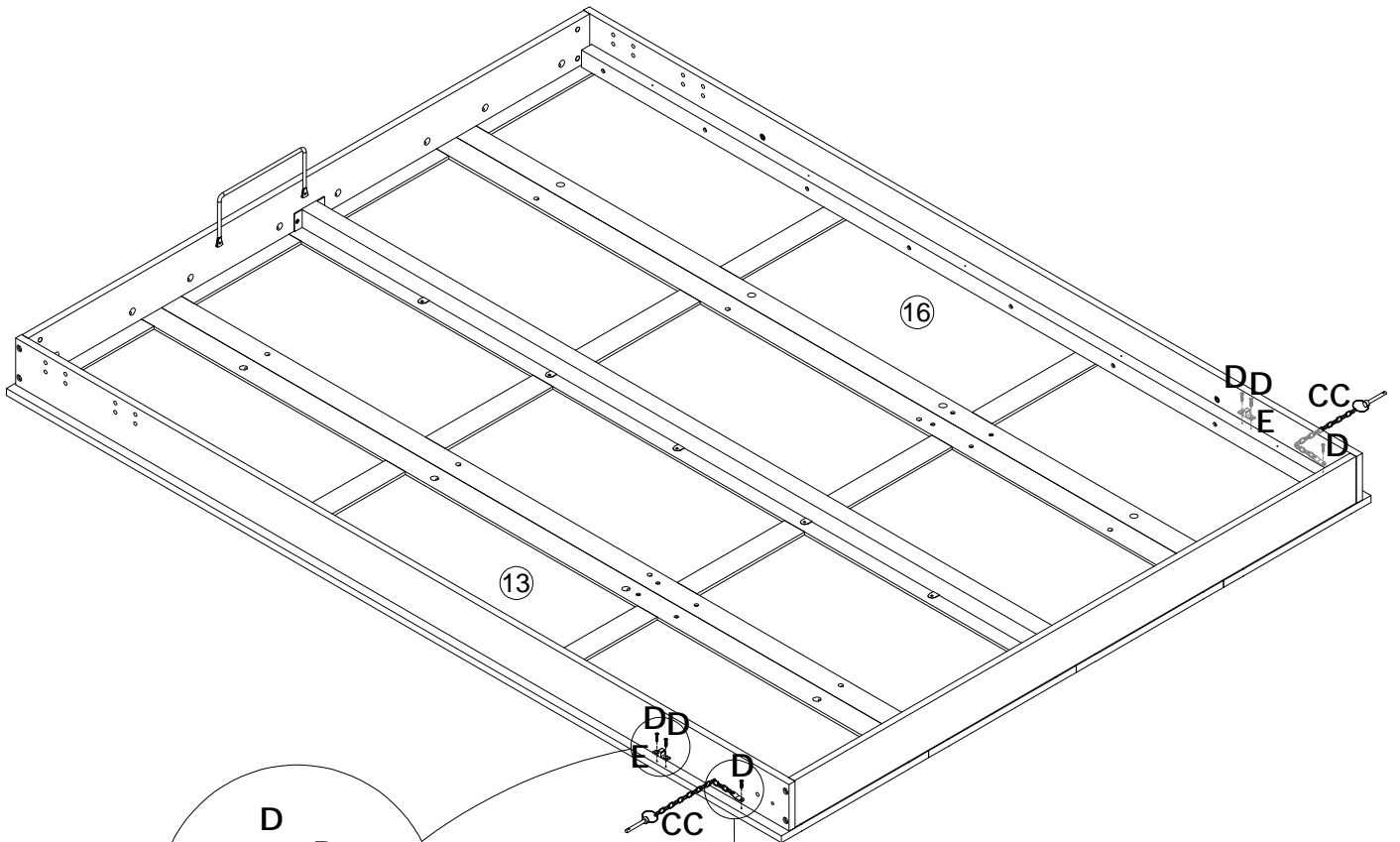


12



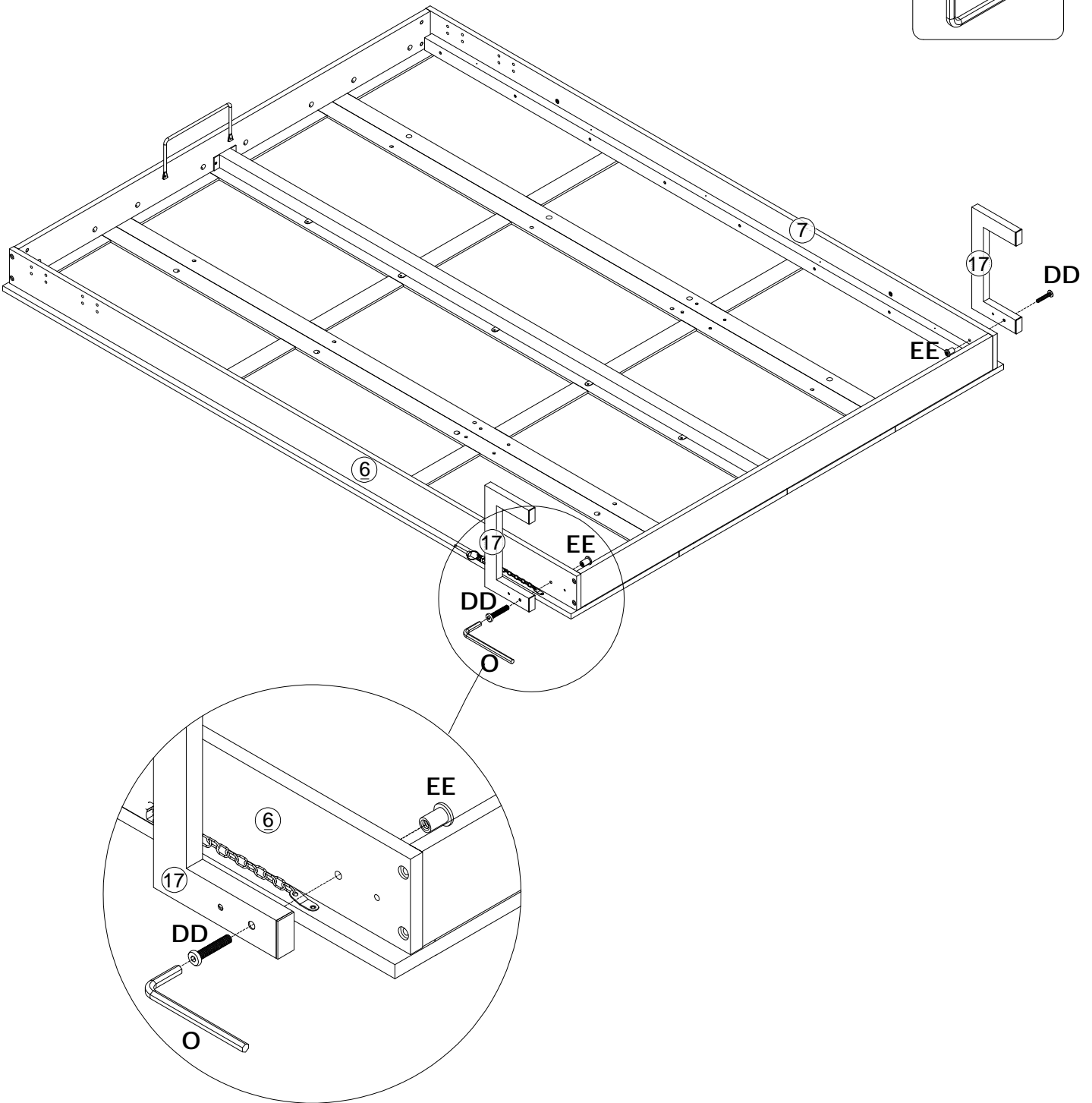
13

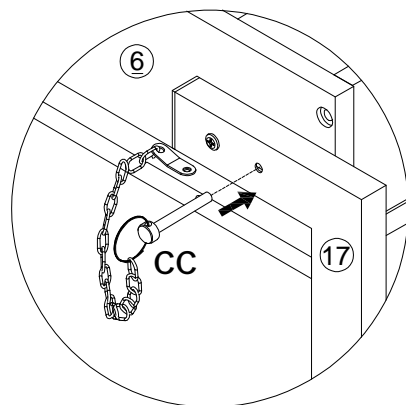
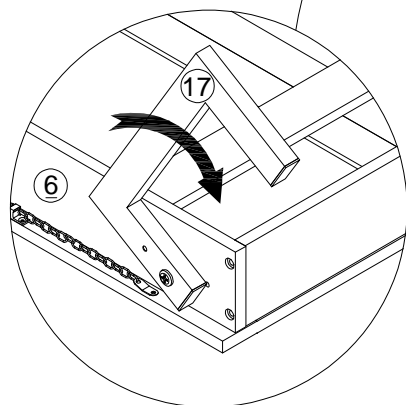
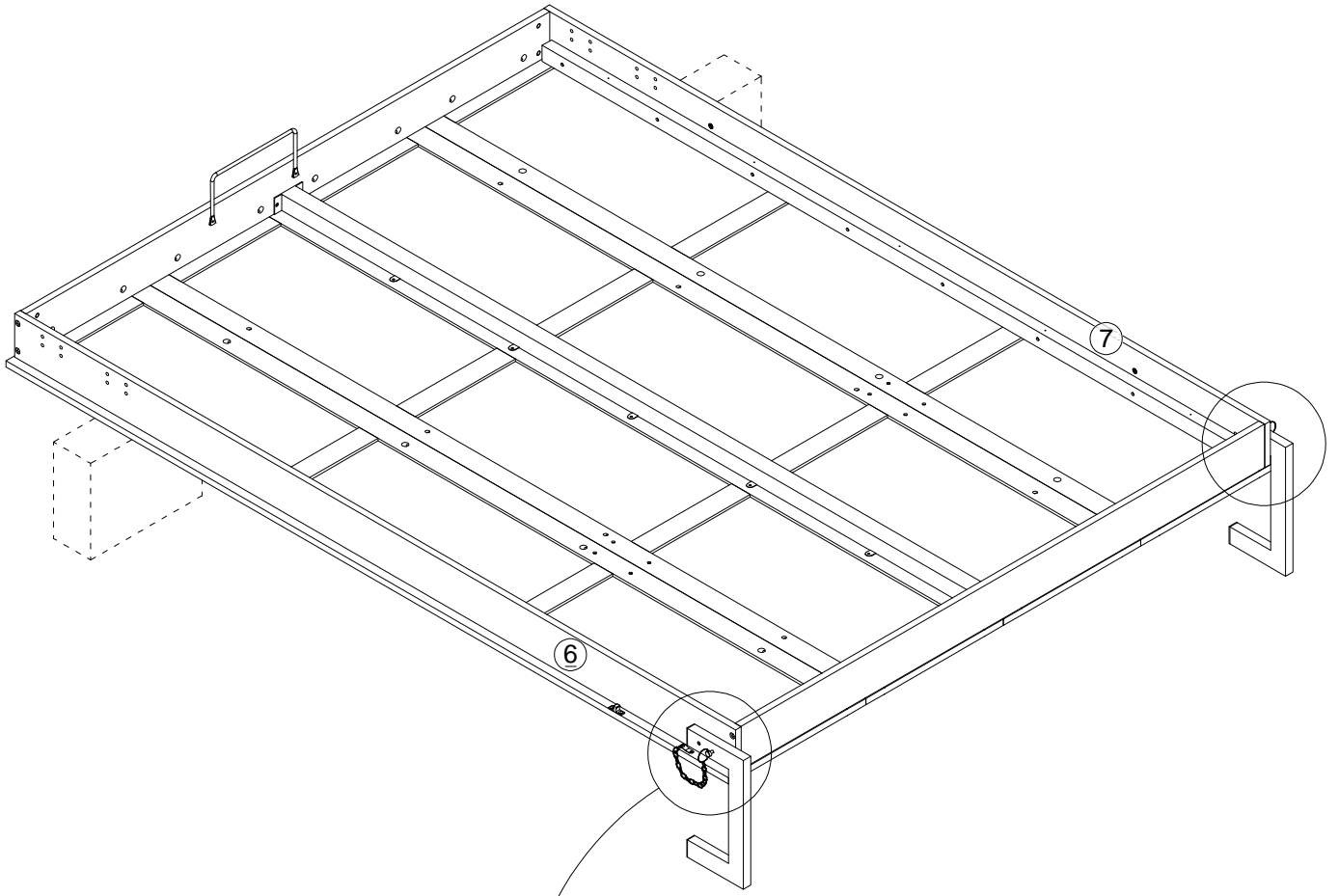
- D x 6

- E x 2

- CC x 2




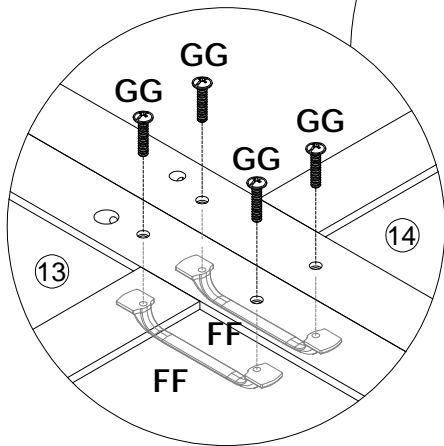
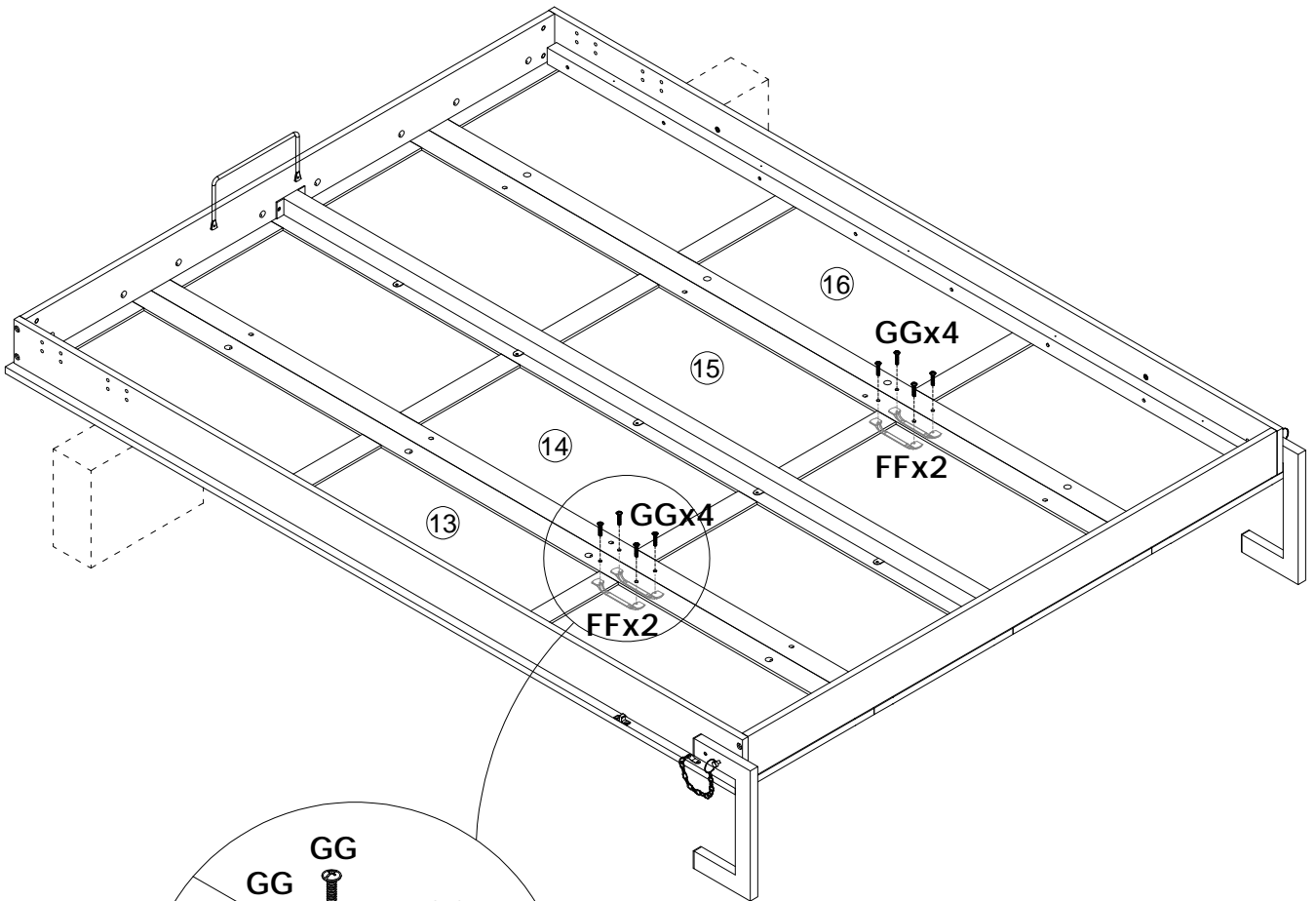
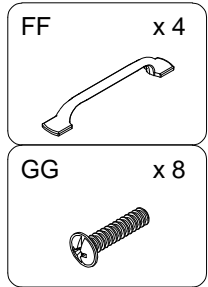
14

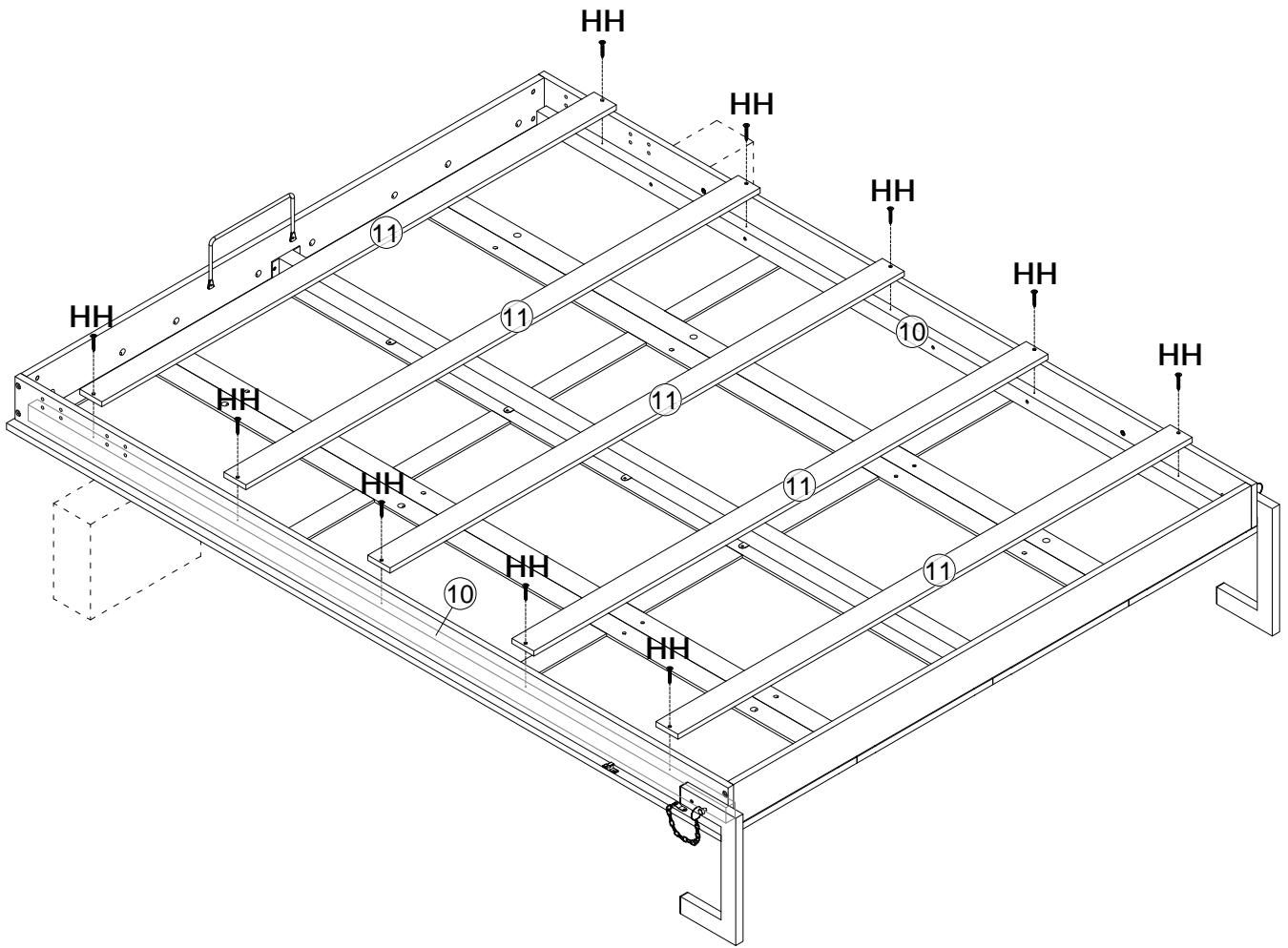
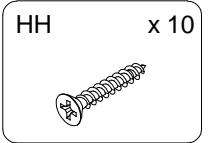
- DD x 2
- EE x 2
- O x 1

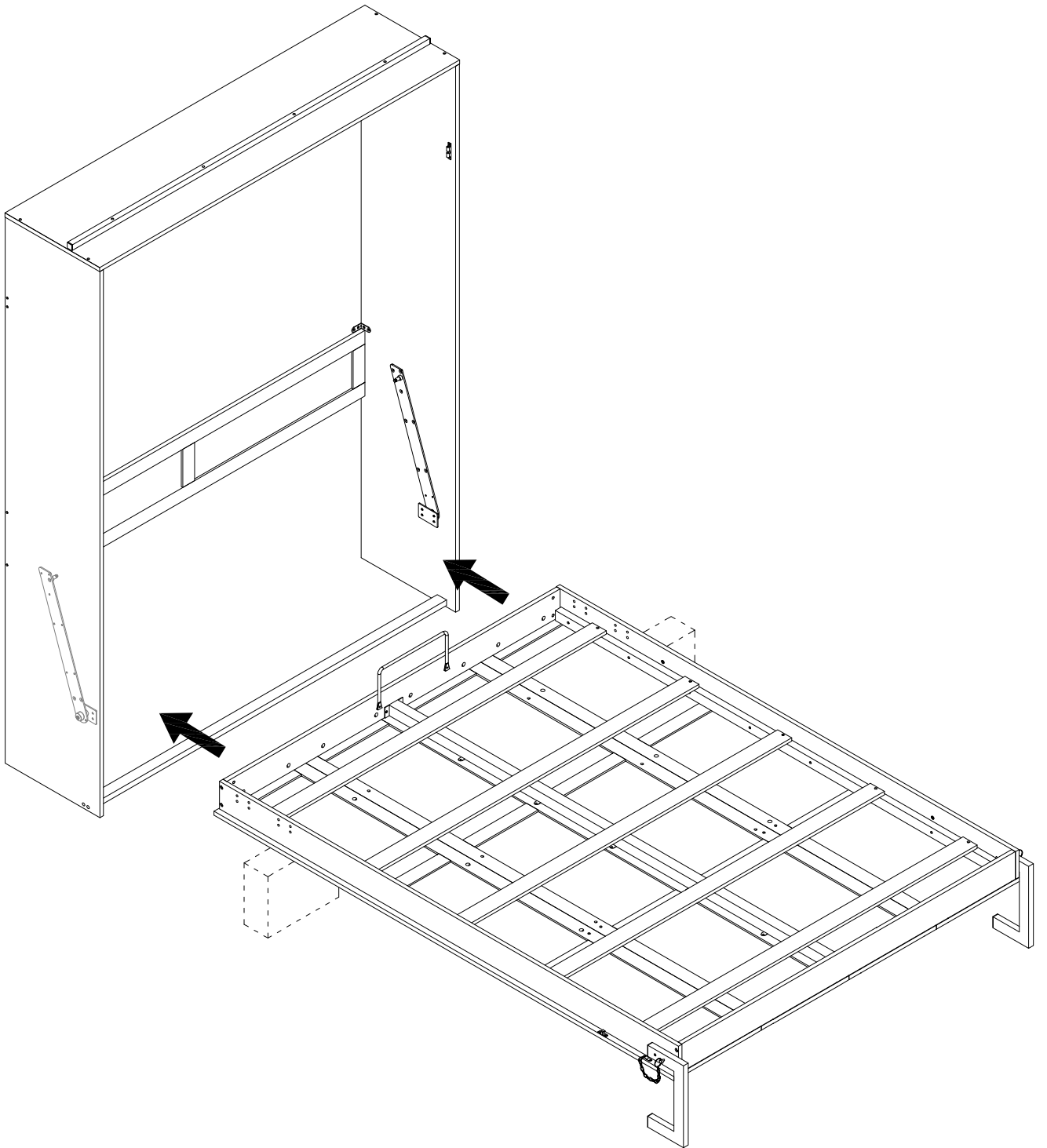




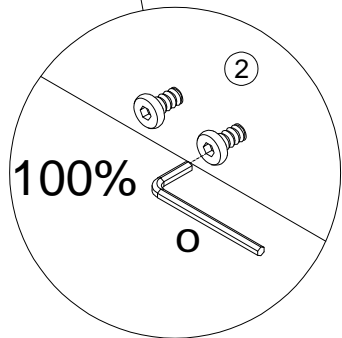
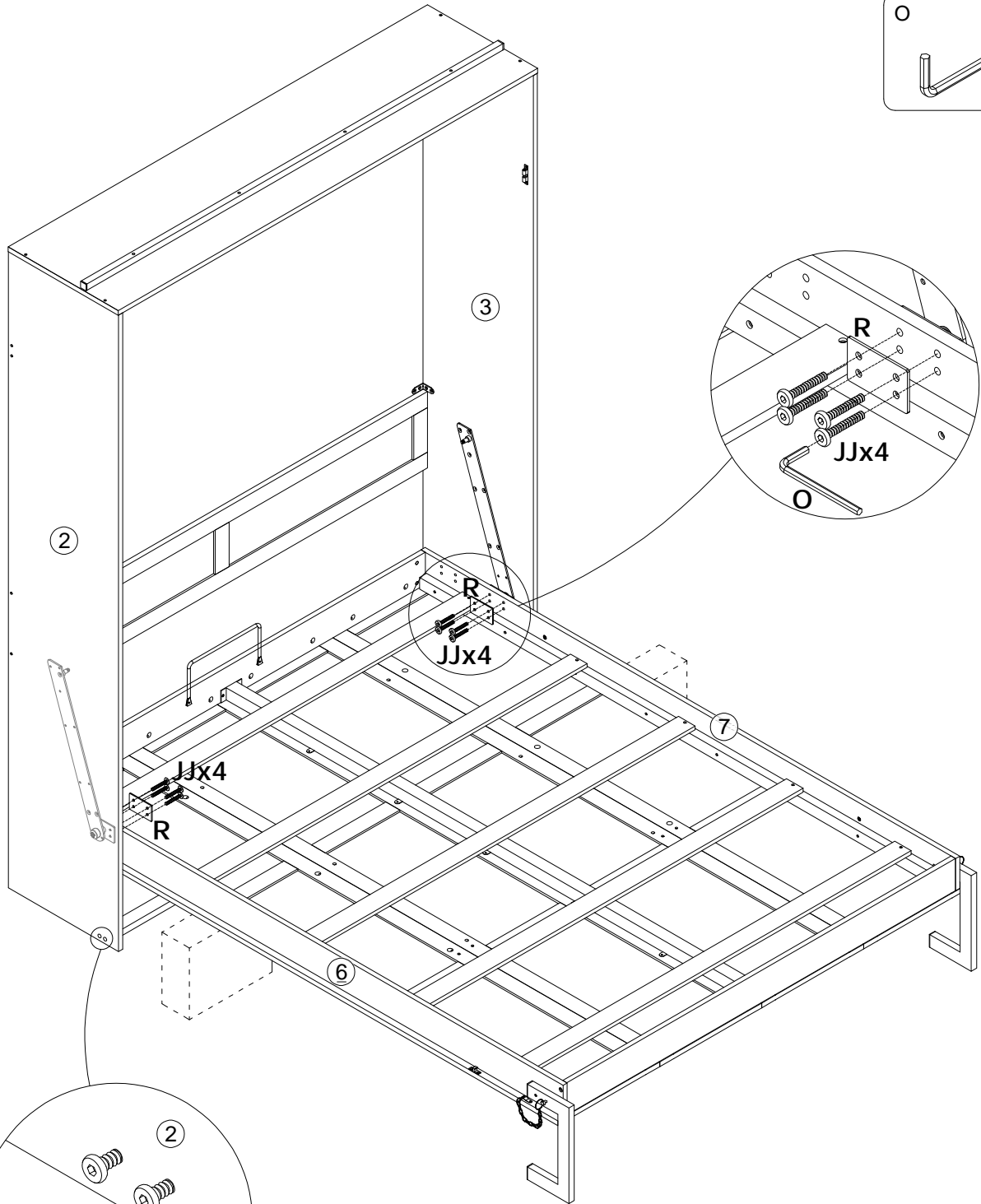
16

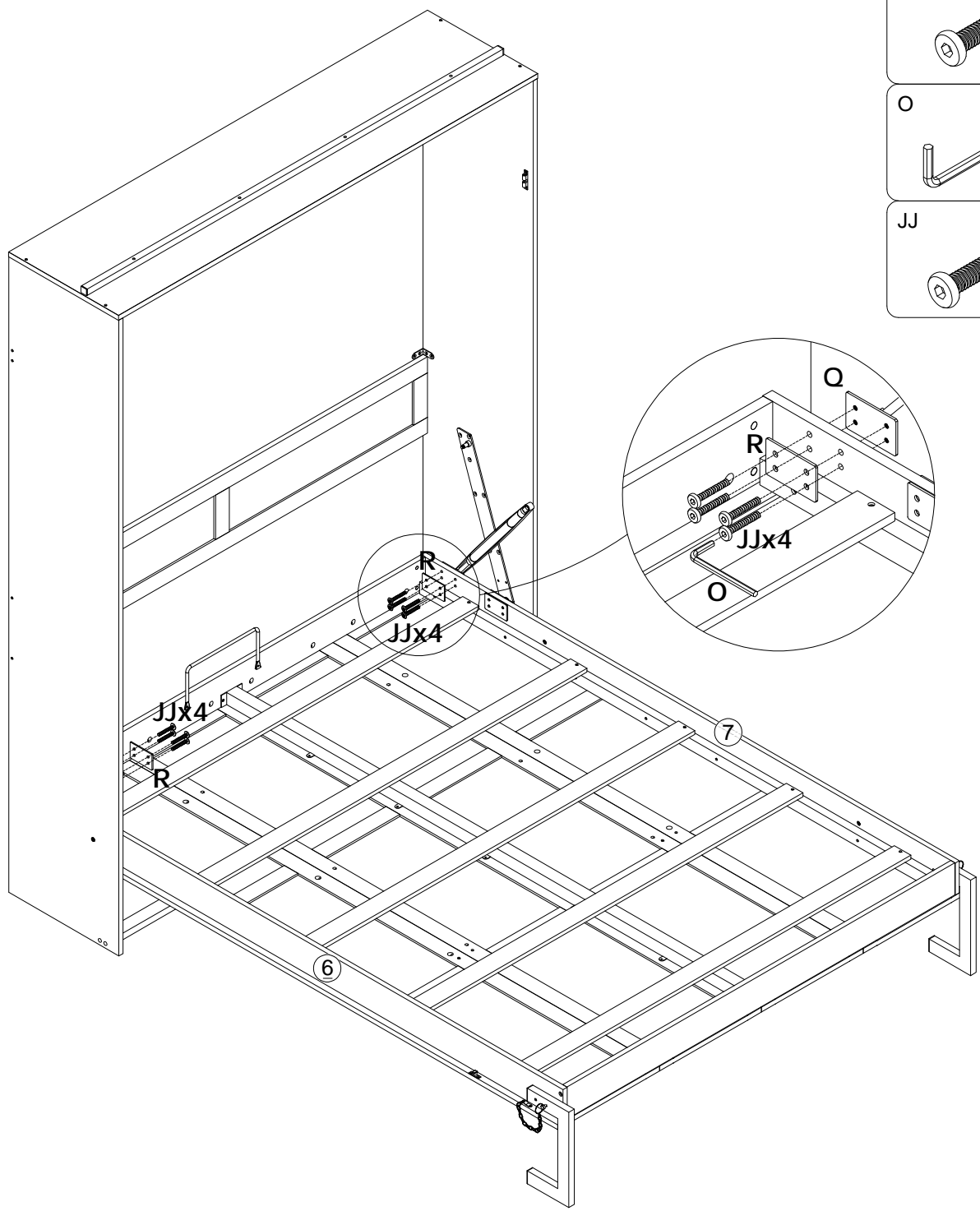
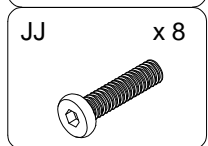
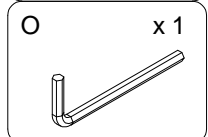
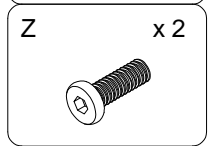
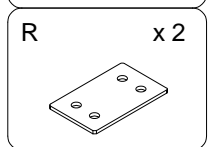
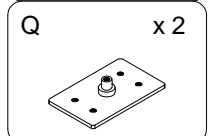
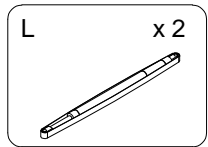
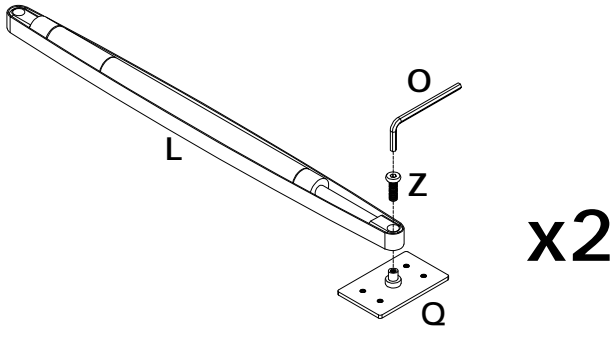






- R x2
- JJ x8
- O x1

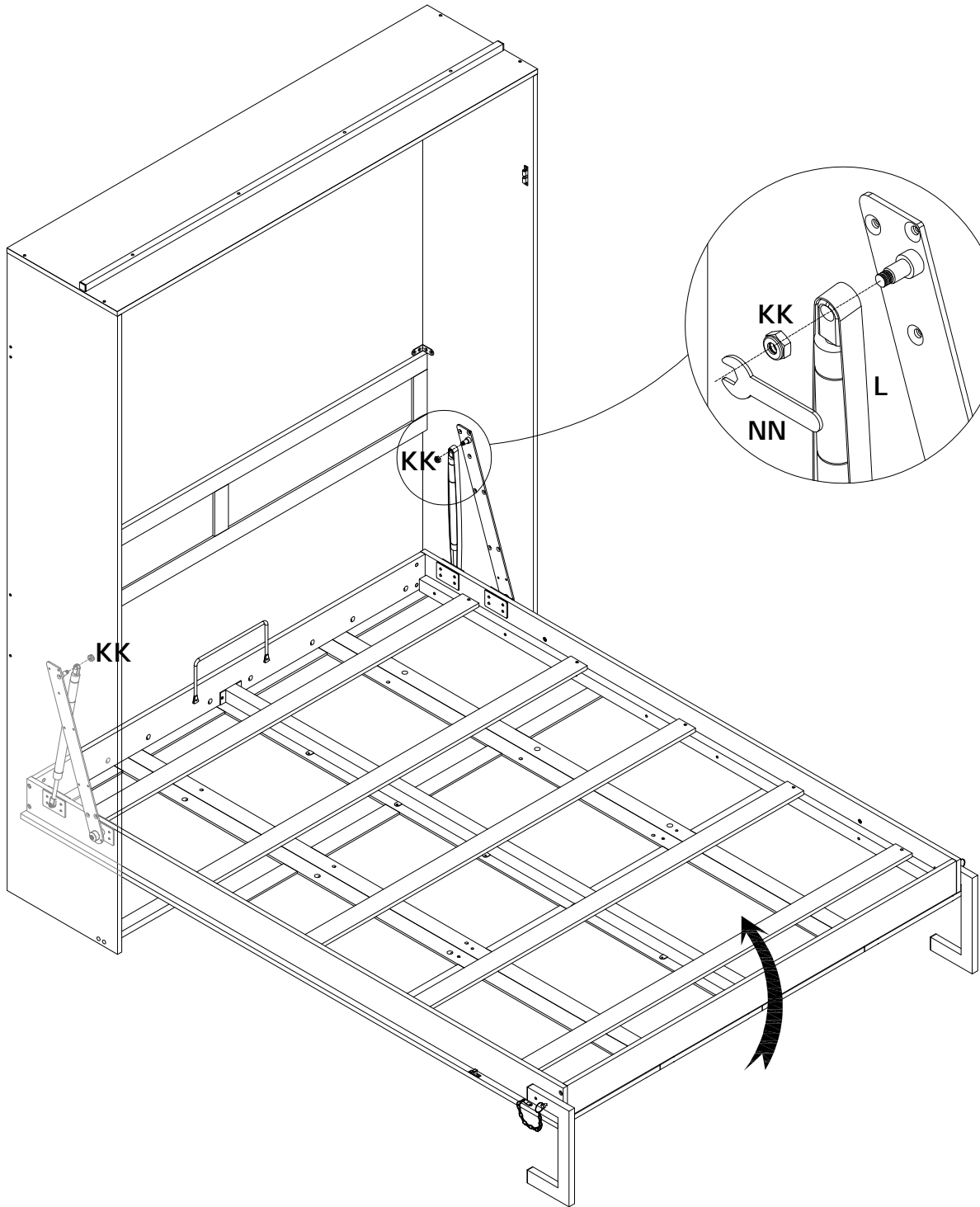



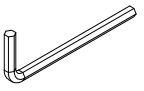


KK x 2



NN x 1



- Z x 4

- O x 1

- LL x 2
