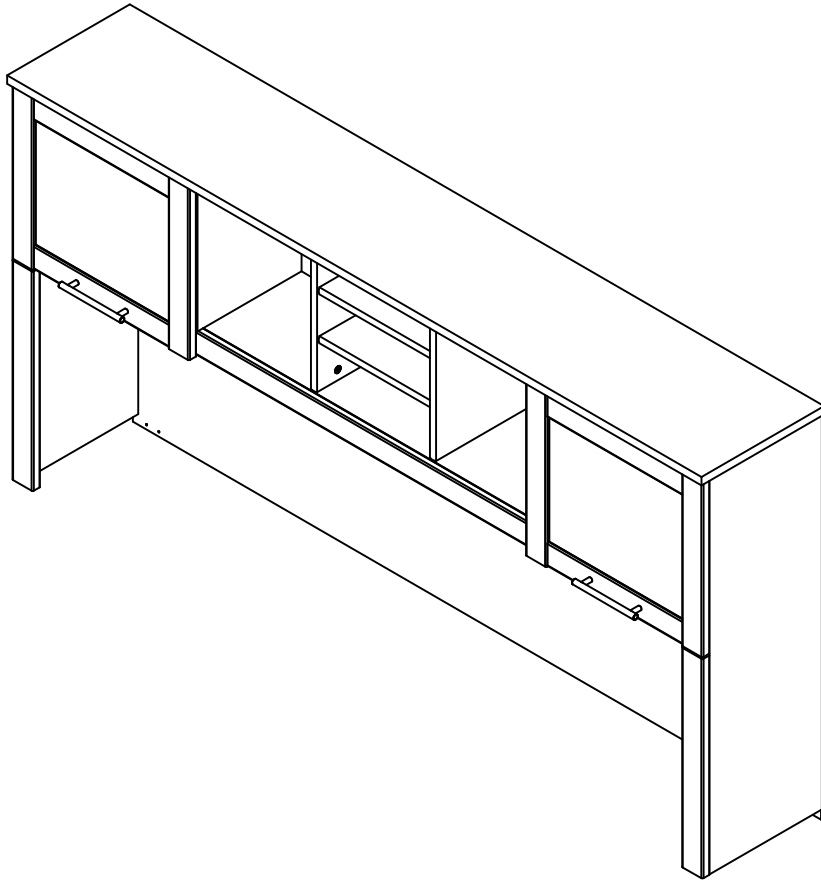




72W Hutch



Get Ready to Assemble

For best results, keep these tips in mind:

- ① We know you want to finish this assembly as quickly as possible, but trust us: you'll have a better experience if you take it one step at a time.
- ② Give yourself some room to work near where you want the fully assembled product.
- ③ If your floor isn't carpeted, assemble this product on the empty carton to avoid scratching.
- ④ Do you have a friend who owes you a favor? Some steps may go a little easier with a second set of hands.

DOs

- ✔ Use a #2 Phillips head screwdriver (or other handheld tools as indicated)
- ✔ Wear safety glasses at all times during assembly
- ✔ Carefully follow the instructions in this guide and complete all steps in order
- ✔ Give us a call if you're having trouble with a particularly tricky step

DON'Ts

- ✘ We know power tools are quick and easy, but you shouldn't use them when assembling this product (unless otherwise specified)
- ✘ Never move your furniture with items inside or resting on the surface
- ✘ Do not attempt to use this product before all steps have been completed



IMPORTANT SAFETY INFORMATION



PLEASE READ WARNINGS

Improper use can cause safety hazards, or damage to your furniture and household items.

Warning	Do	Don't	Why it's important
Serious injury may occur.	<ul style="list-style-type: none">Assemble following all instructions using all indicated parts and hardware provided.Attach hutch only as described in the instructions.Verify furniture is stable on it's own.Only place against a permanent wall structure at least as tall as the hutch or place back-to-back with hutch of same size.	<ul style="list-style-type: none">Do not move unit when loaded.Do not load with a television or other heavy equipment.Do not exceed the maximum load limits stated in the instructions.Do not allow children to climb, or hang on furniture.	Improper assembly, use or loading can lead to product instability, tip-over or collapse.

Advertencia	Hacer	No	Por qué es importante
Se pueden producir lesiones graves.	<ul style="list-style-type: none">Ensamble siguiendo todas las instrucciones utilizando todas las piezas y ferretería indicados provistos.Conecte la conejera solo como se describe en las instrucciones.Verifique que los muebles sean estables por sí mismos.Solo colóquelo contra una estructura de pared permanente al menos tan alta como la conejera o colóquelo espalda con espalda con una conejera del mismo tamaño.	<ul style="list-style-type: none">No mueva la unidad cuando esté cargada.No cargue con un televisor u otro equipo pesado.No exceda los límites máximos de carga establecidos en las instrucciones.No permita que los niños se paren, trepen o cuelguen de muebles.	El ensamblaje, uso o carga inadecuados pueden provocar inestabilidad del producto, vuelco o colapso.

IMPORTANT SAFETY INFORMATION

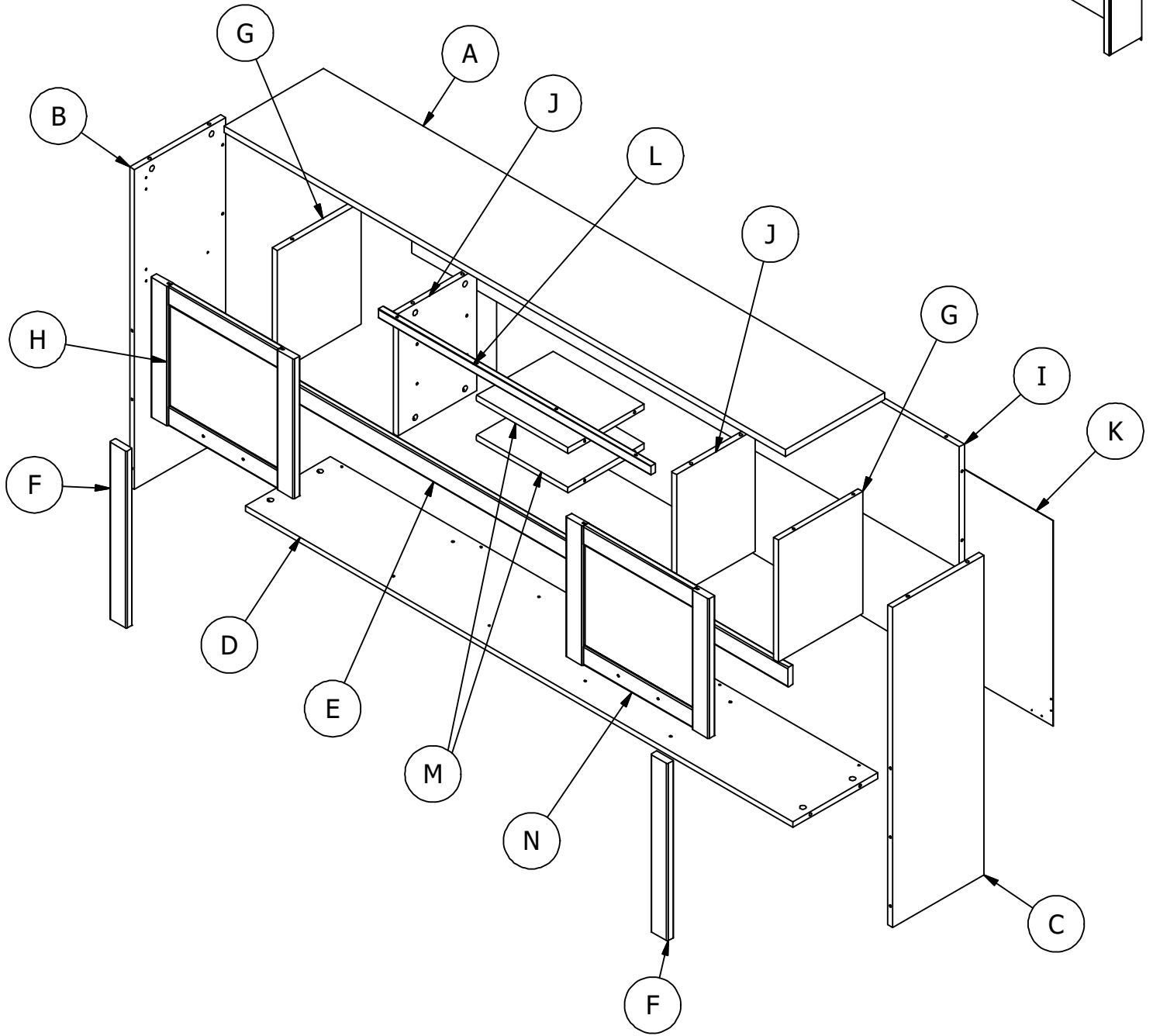
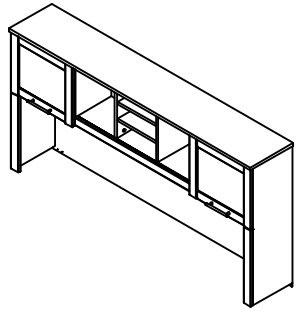


PLEASE READ WARNINGS

Improper use can cause safety hazards, or damage to your furniture and household items.

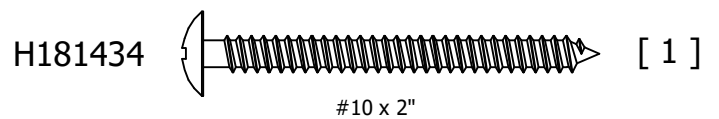
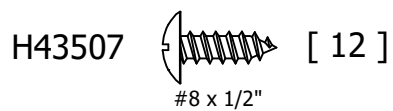
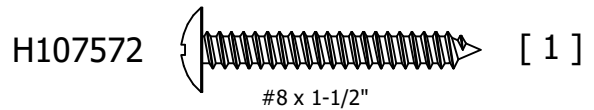
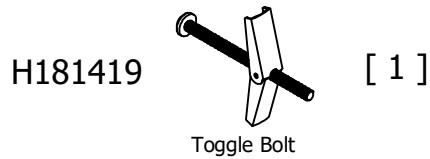
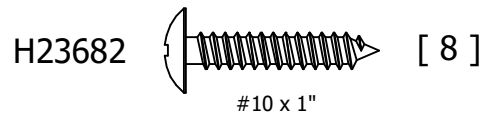
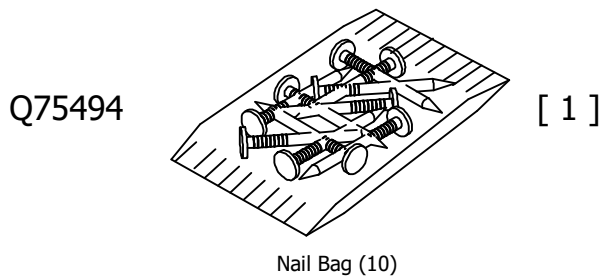
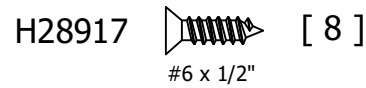
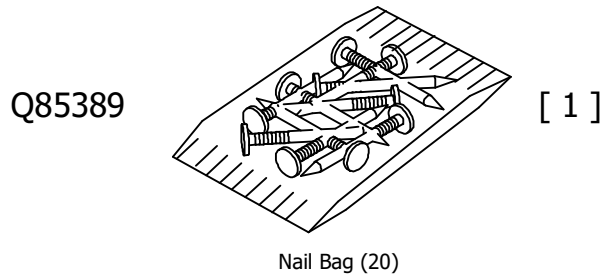
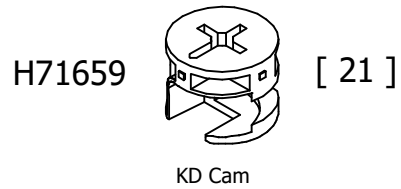
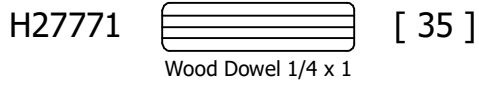
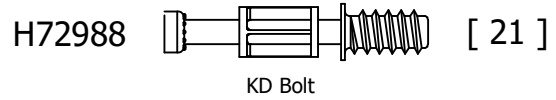
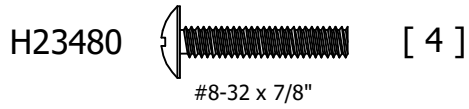
Avertissement	Faire	Ne le fais pas	Pourquoi c'est important
Des blessures graves peuvent survenir.	<ul style="list-style-type: none">• Assemblez en suivant toutes les instructions en utilisant toutes les pièces et le matériel indiqués fournis.• Fixez la huche uniquement comme décrit dans les instructions.• Vérifiez que les meubles sont stables par eux-mêmes.• Placer uniquement contre une structure murale permanente au moins aussi haute que la huche ou placer dos à dos avec une huche de même taille.	<ul style="list-style-type: none">• Ne déplacez pas l'unité lorsqu'elle est chargée.• Ne chargez pas avec un téléviseur ou un autre équipement lourd.• Ne dépassez pas les limites de charge maximale indiquées dans les instructions.• Ne laissez pas les enfants grimper ou s'accrocher aux meubles.	Un assemblage, une utilisation ou un chargement incorrects peuvent entraîner une instabilité du produit, un renversement ou un effondrement.

Get to know your Boards



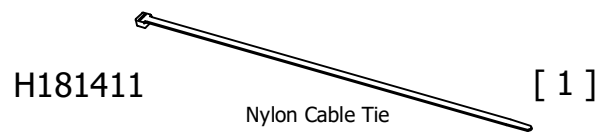
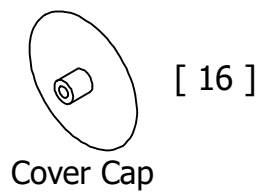
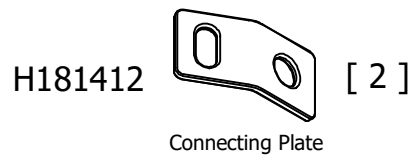
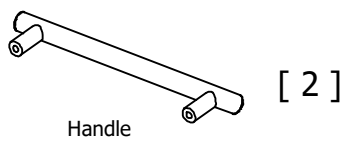
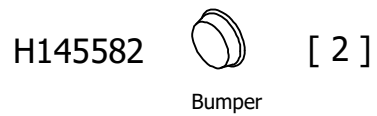
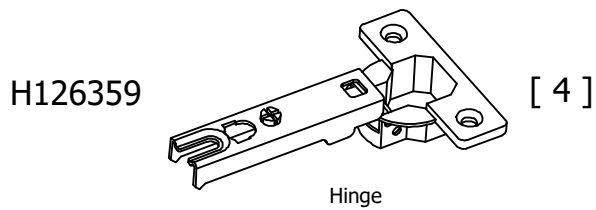
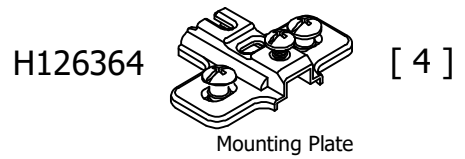
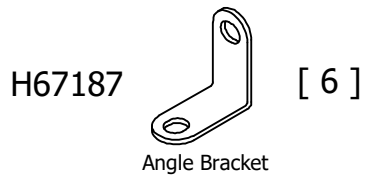
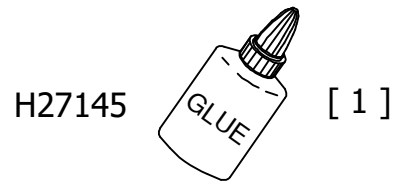
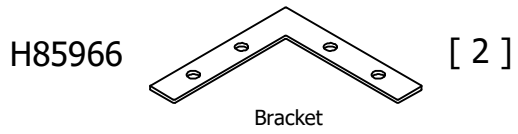
Get to know your Fasteners

Fasteners are shown actual size.



Get to know your Hardware

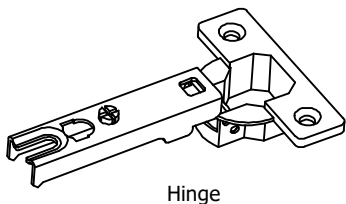
Hardware not to scale.



STEP 1

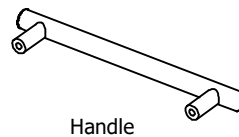
Prepare Doors

H126359



[4]

Hinge



[2]

Handle

H28917



[8]

#6 x 1/2"

H23480



[4]

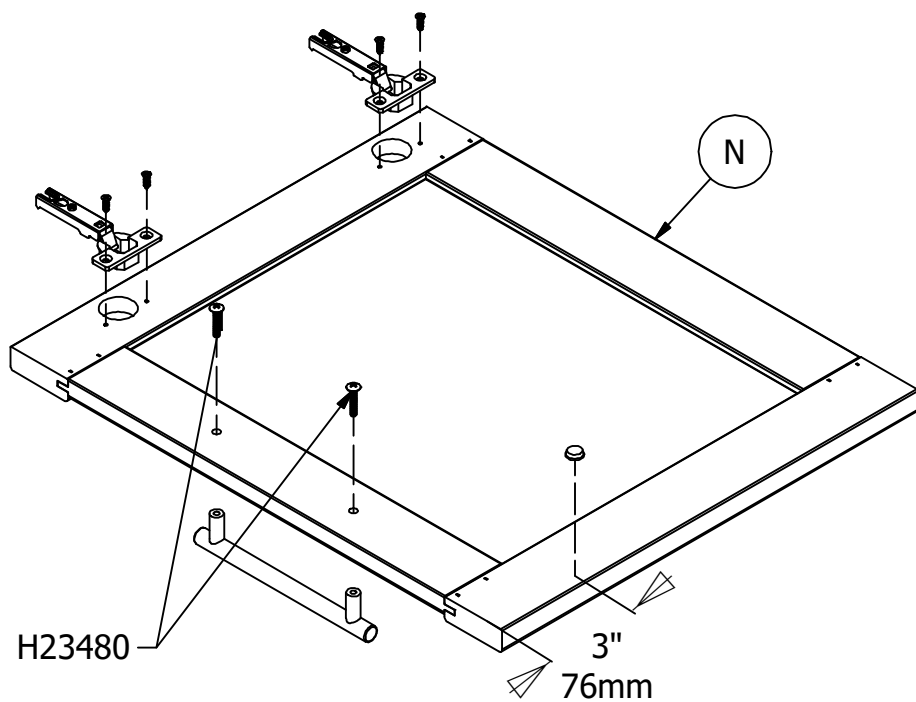
#8-32 x 7/8"

H145582



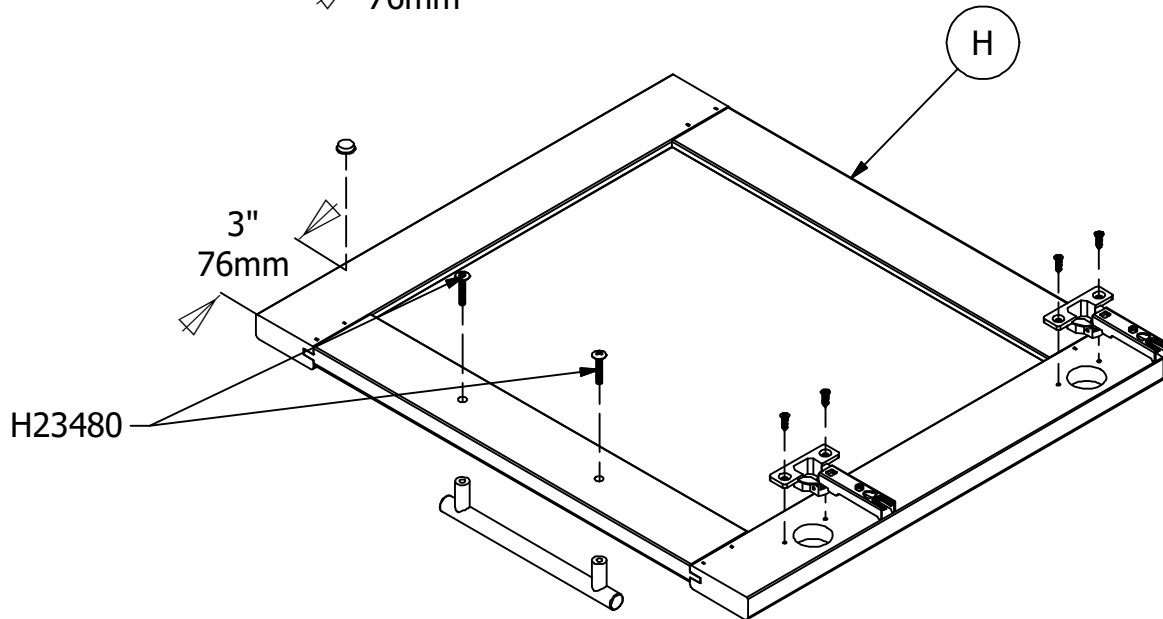
[2]

Bumper



H23480

3"
76mm



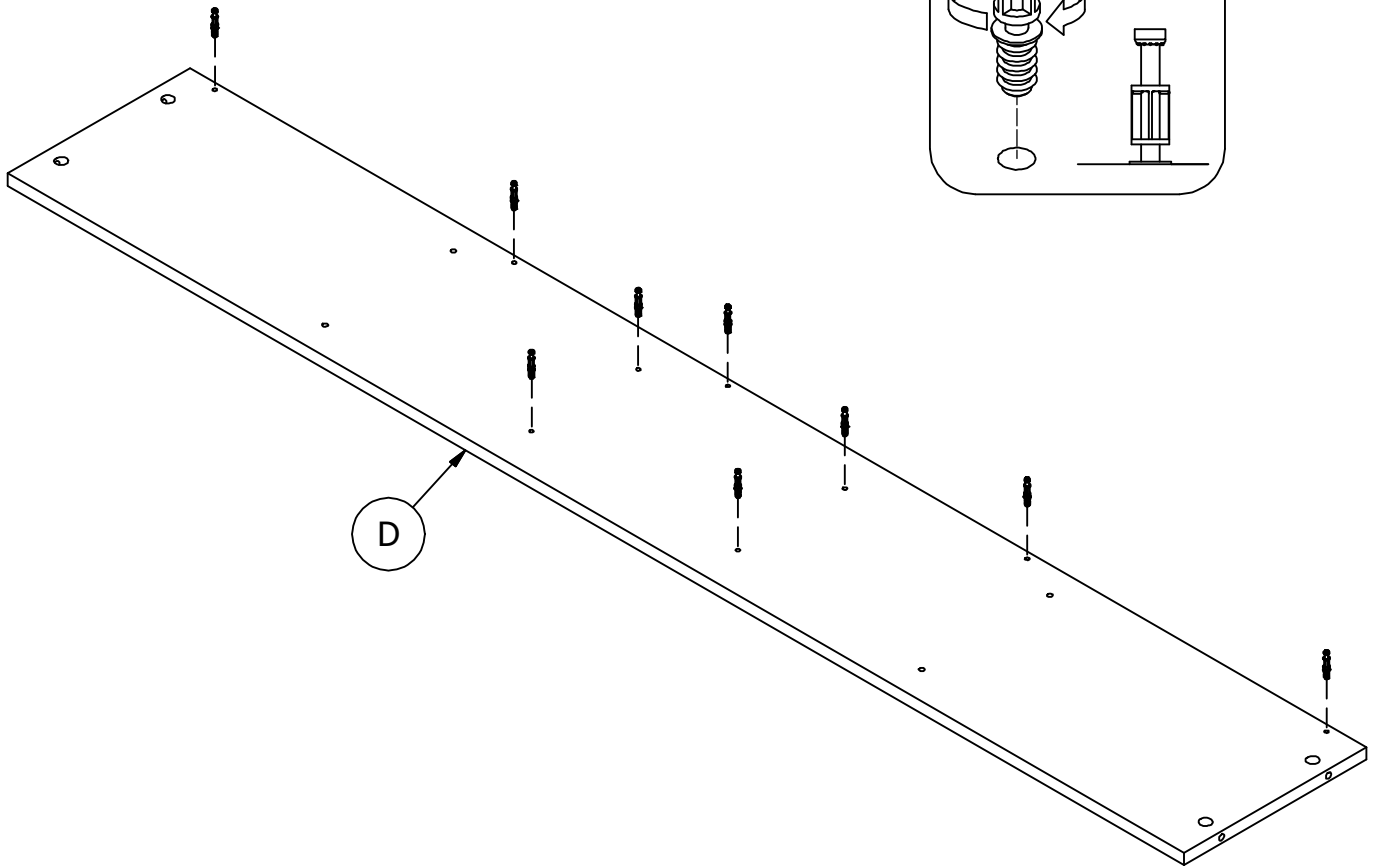
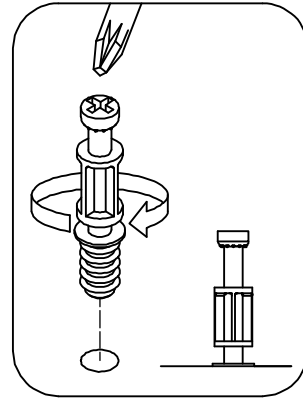
H23480

3"
76mm

STEP 2

Prepare Panel

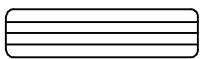
H72988 [9]
KD Bolt



STEP 3

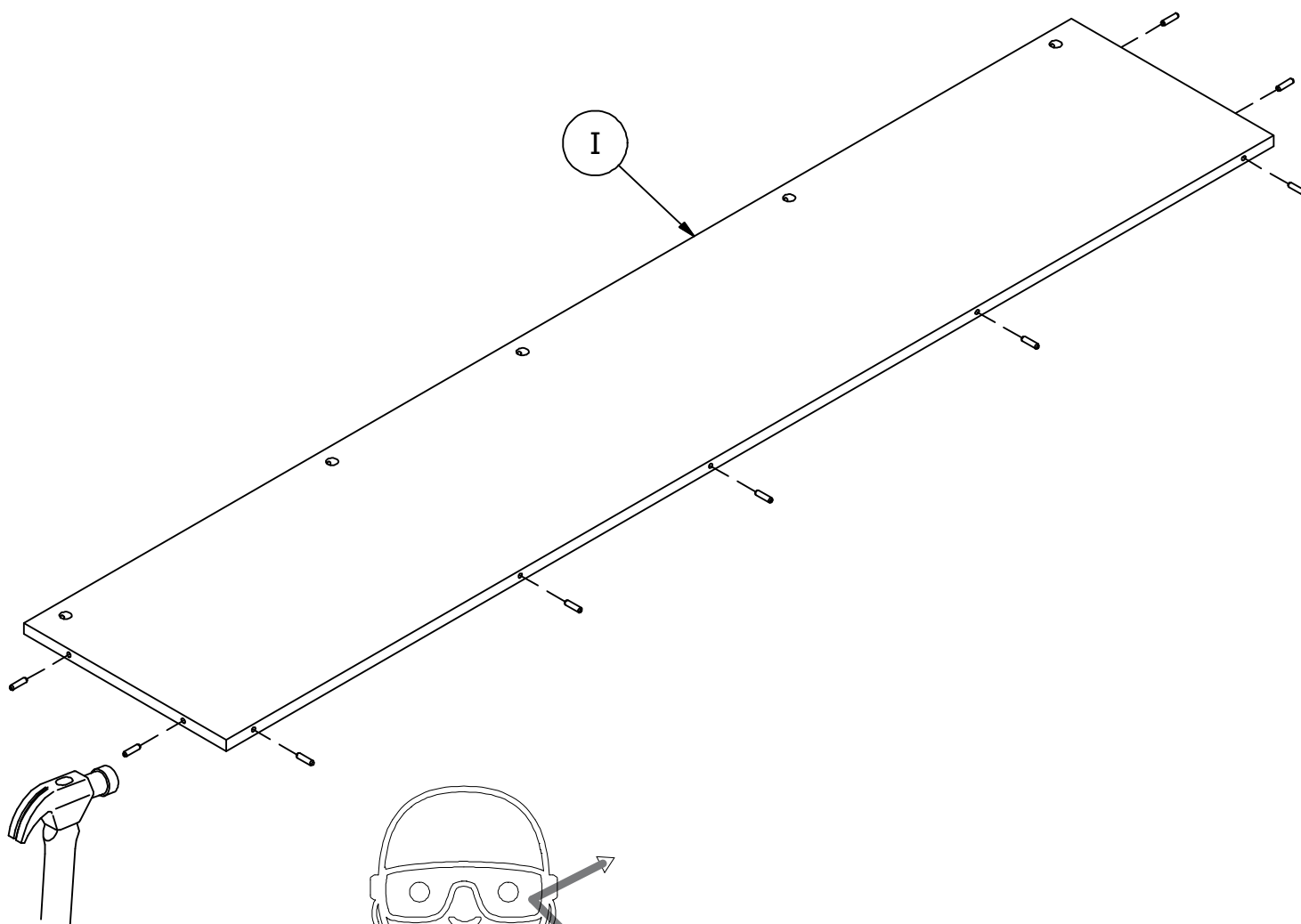
Prepare Panel

H27771



Wood Dowel 1/4 x 1

[9]

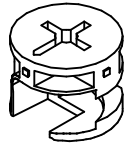


Safety glasses
Gafas de seguridad
Lunettes de protection

STEP 4

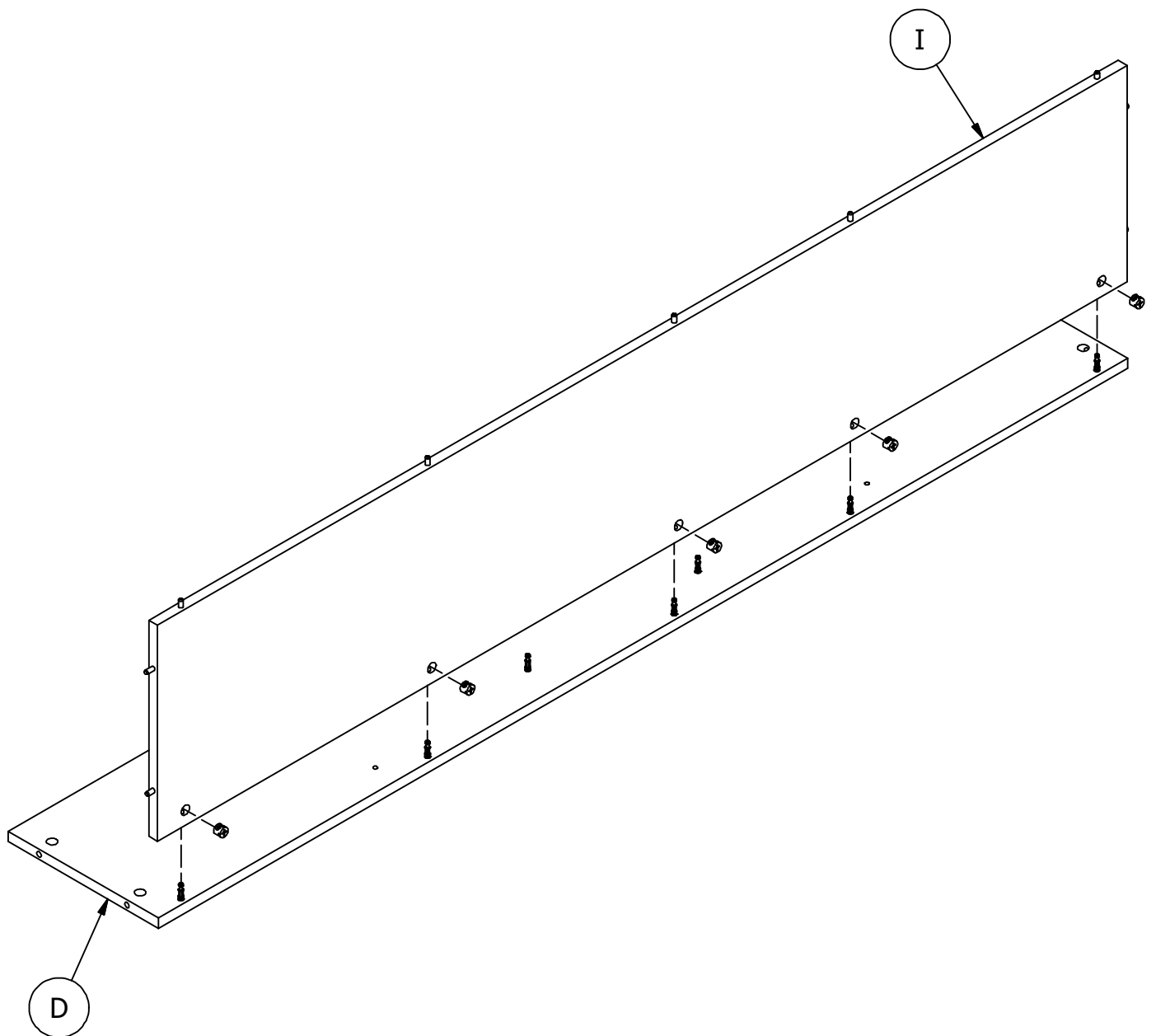
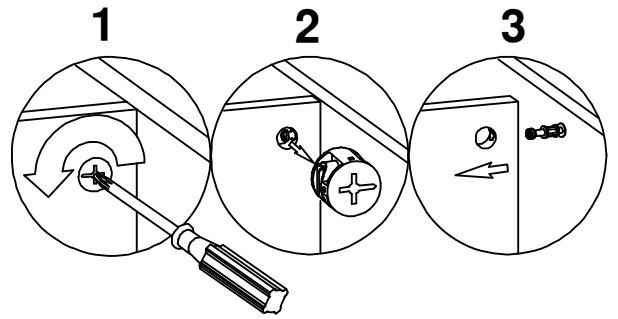
Assemble Panels

H71659



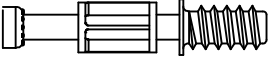
KD Cam

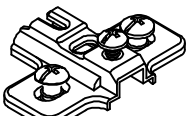
[5]

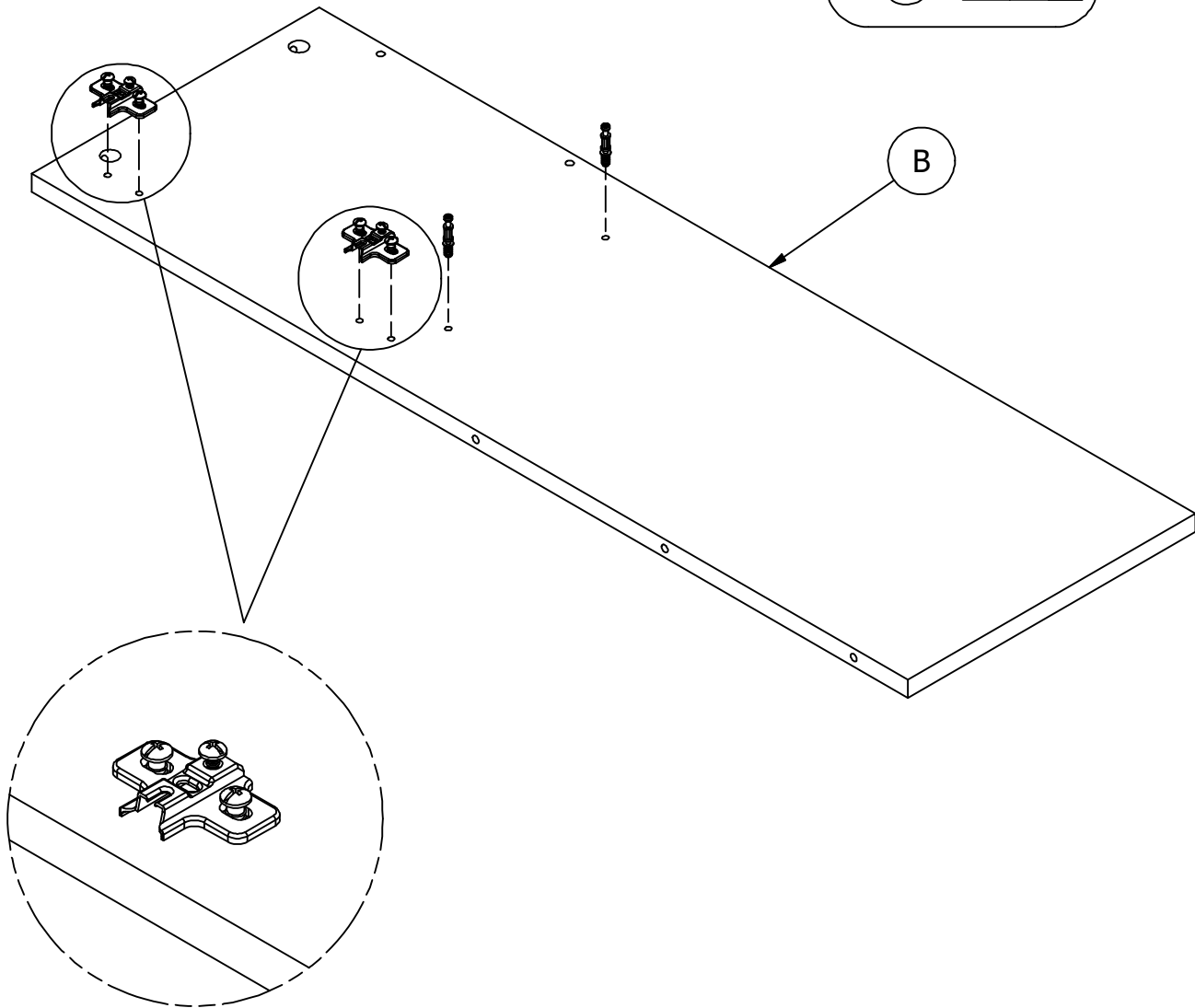
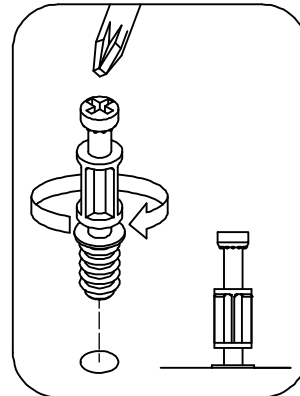


STEP 5

Prepare Panel

H72988  [2]
KD Bolt

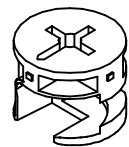
H126364  [2]
Mounting Plate



STEP 6

Assemble Panels

H71659



KD Cam

[2]

H27145

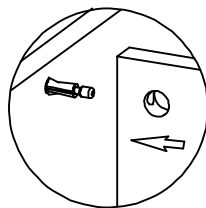


GLUE

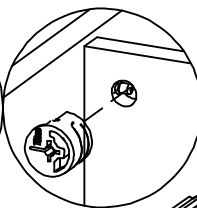
Cover Cap

[2]

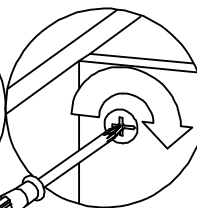
1



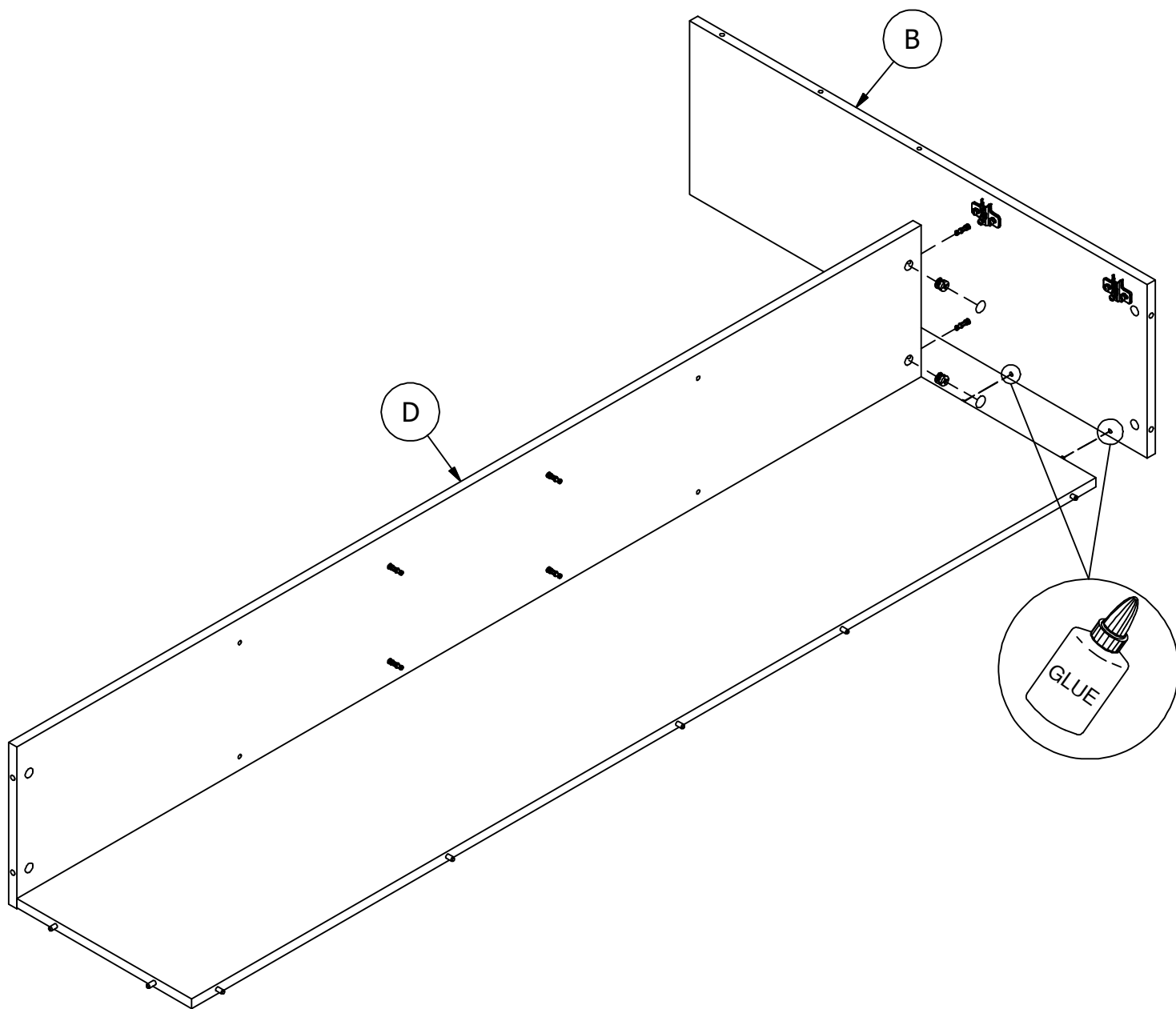
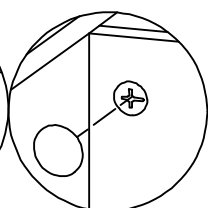
2



3



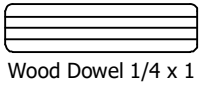
4



STEP 7

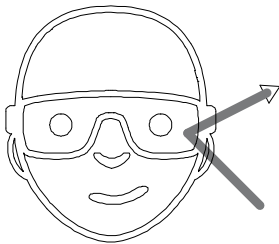
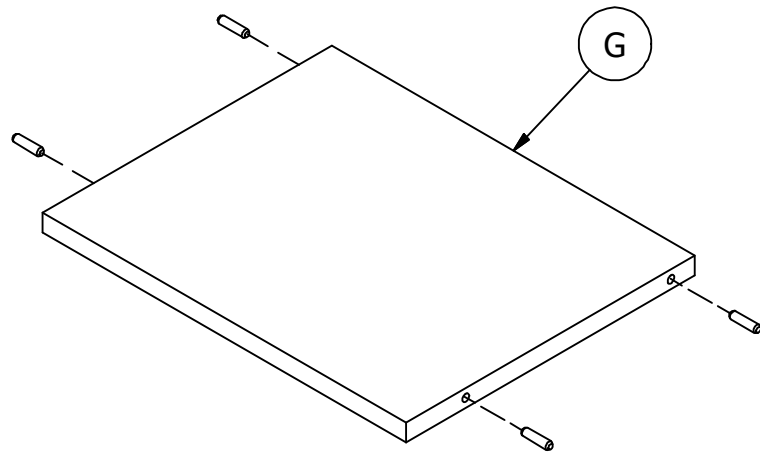
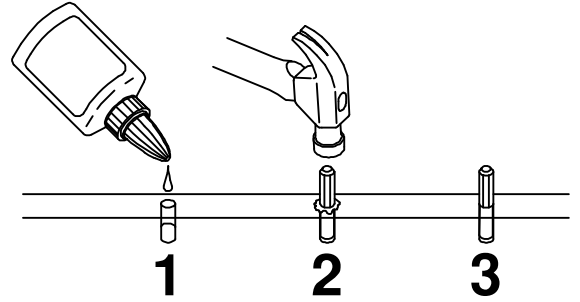
Prepare Panels

H27771

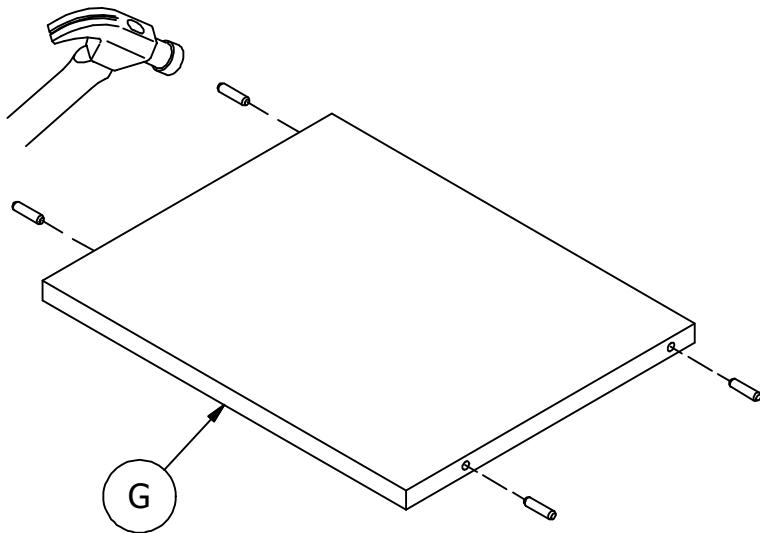


[8]

H27145



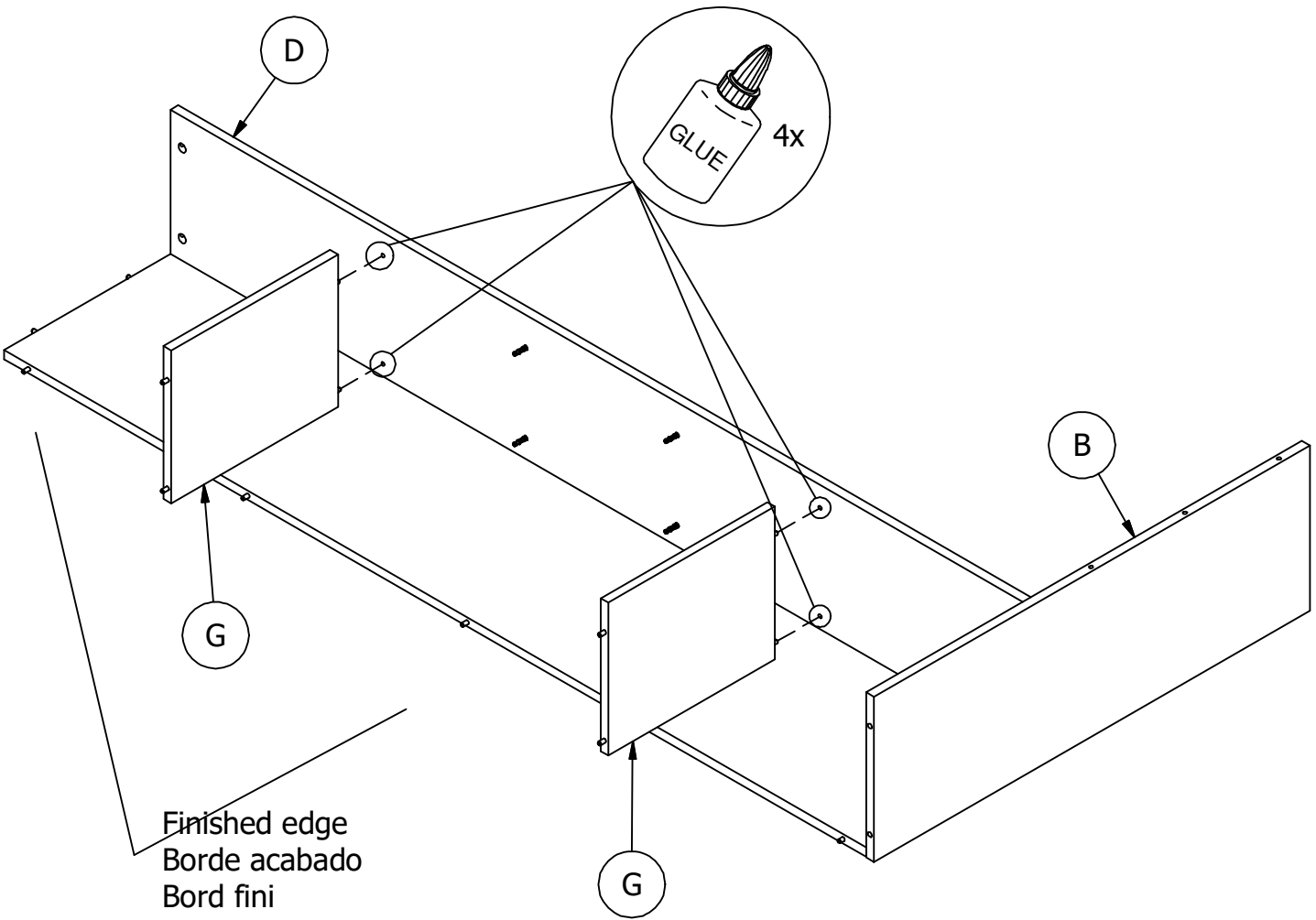
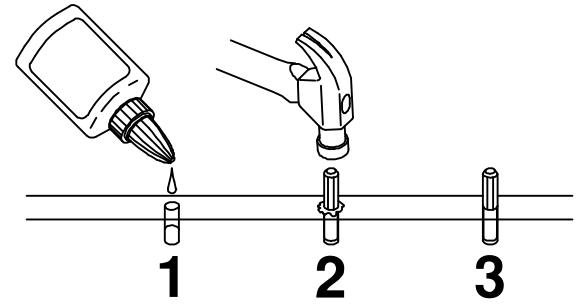
Safety glasses
Gafas de seguridad
Lunettes de protection



STEP 8

Attach Panels

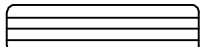
H27145



STEP 9

Prepare Panels

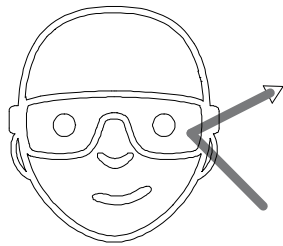
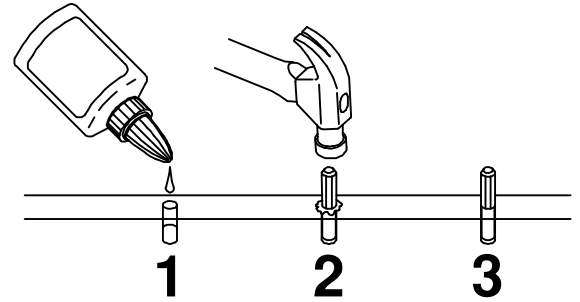
H27771



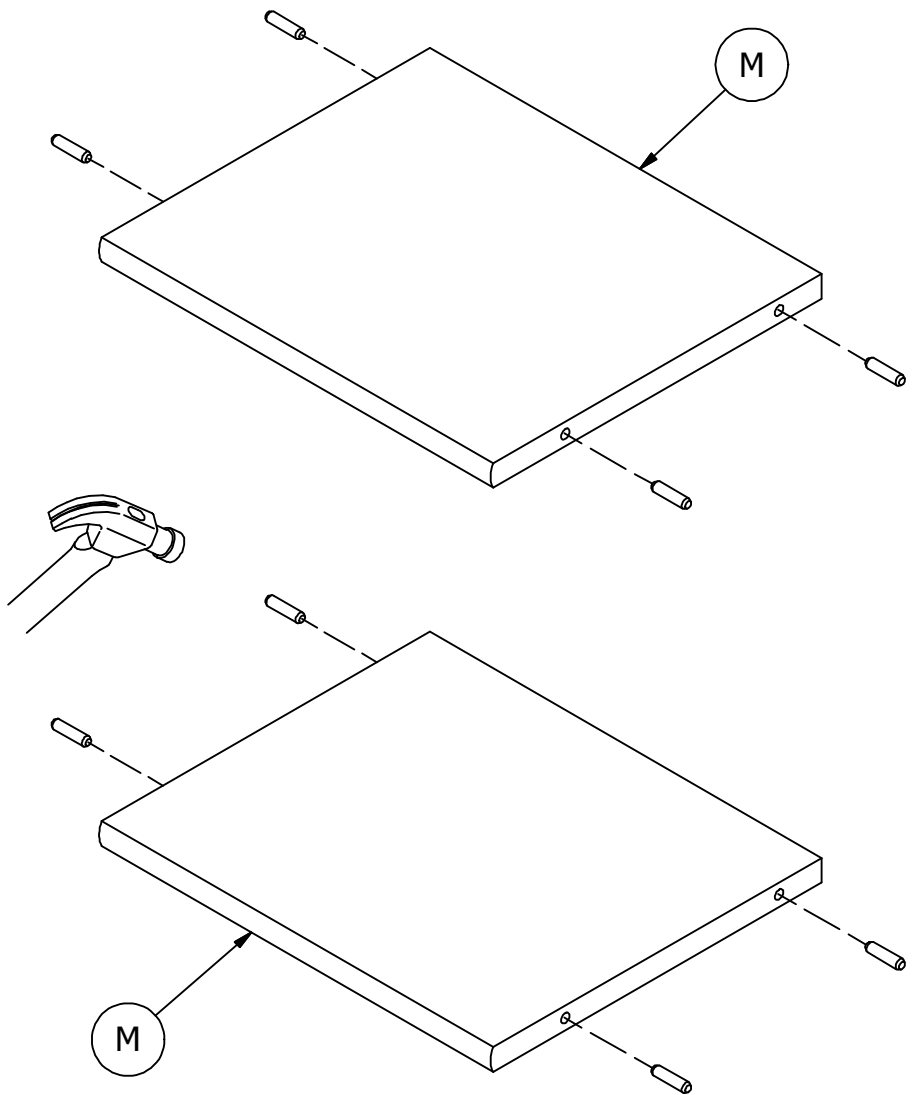
Wood Dowel 1/4 x 1

[8]

H27145



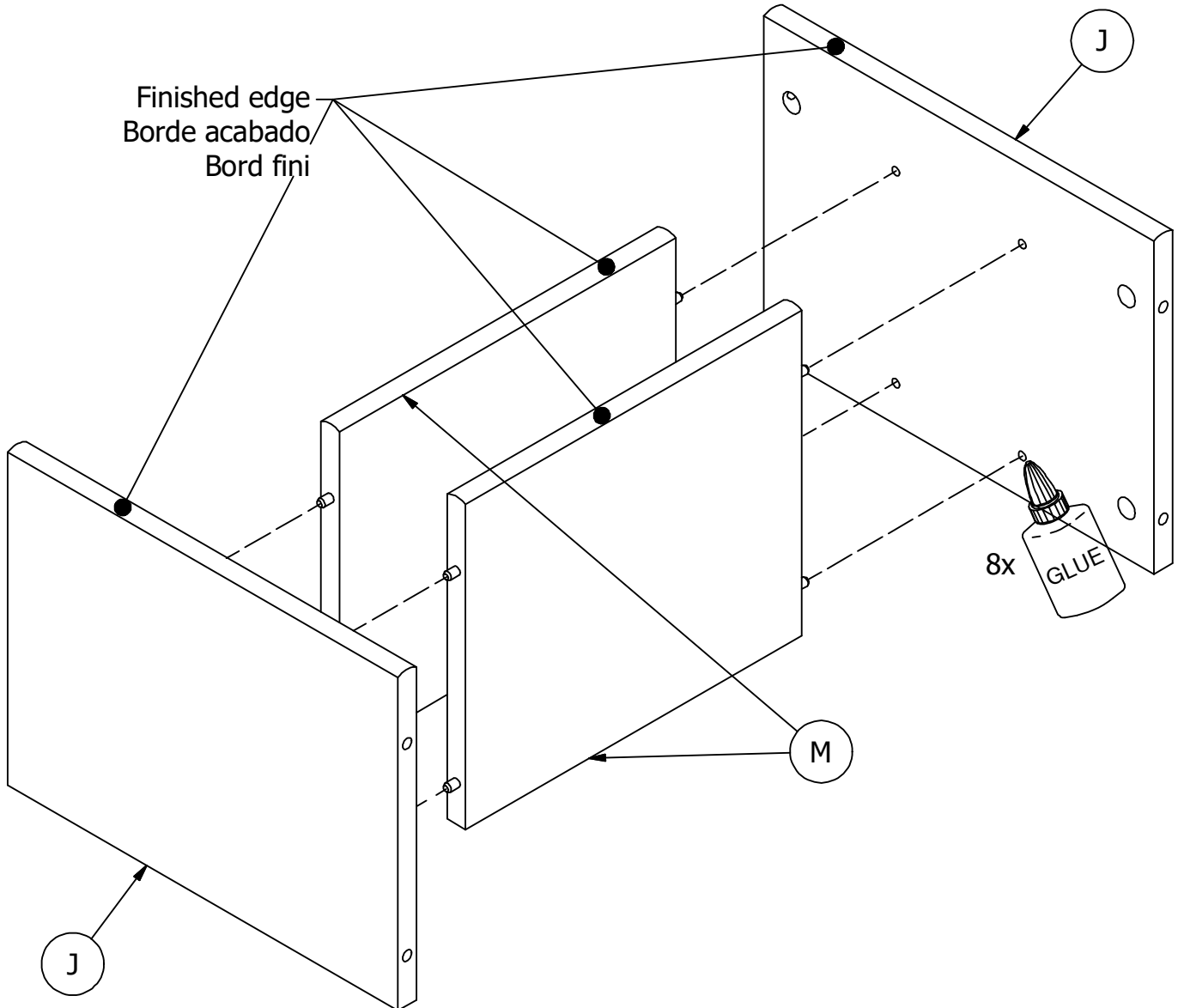
Safety glasses
Gafas de seguridad
Lunettes de protection



STEP 10

Assemble Panels

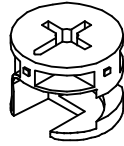
H27145



STEP 11

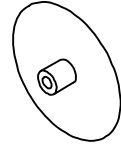
Assemble Panels

H71659



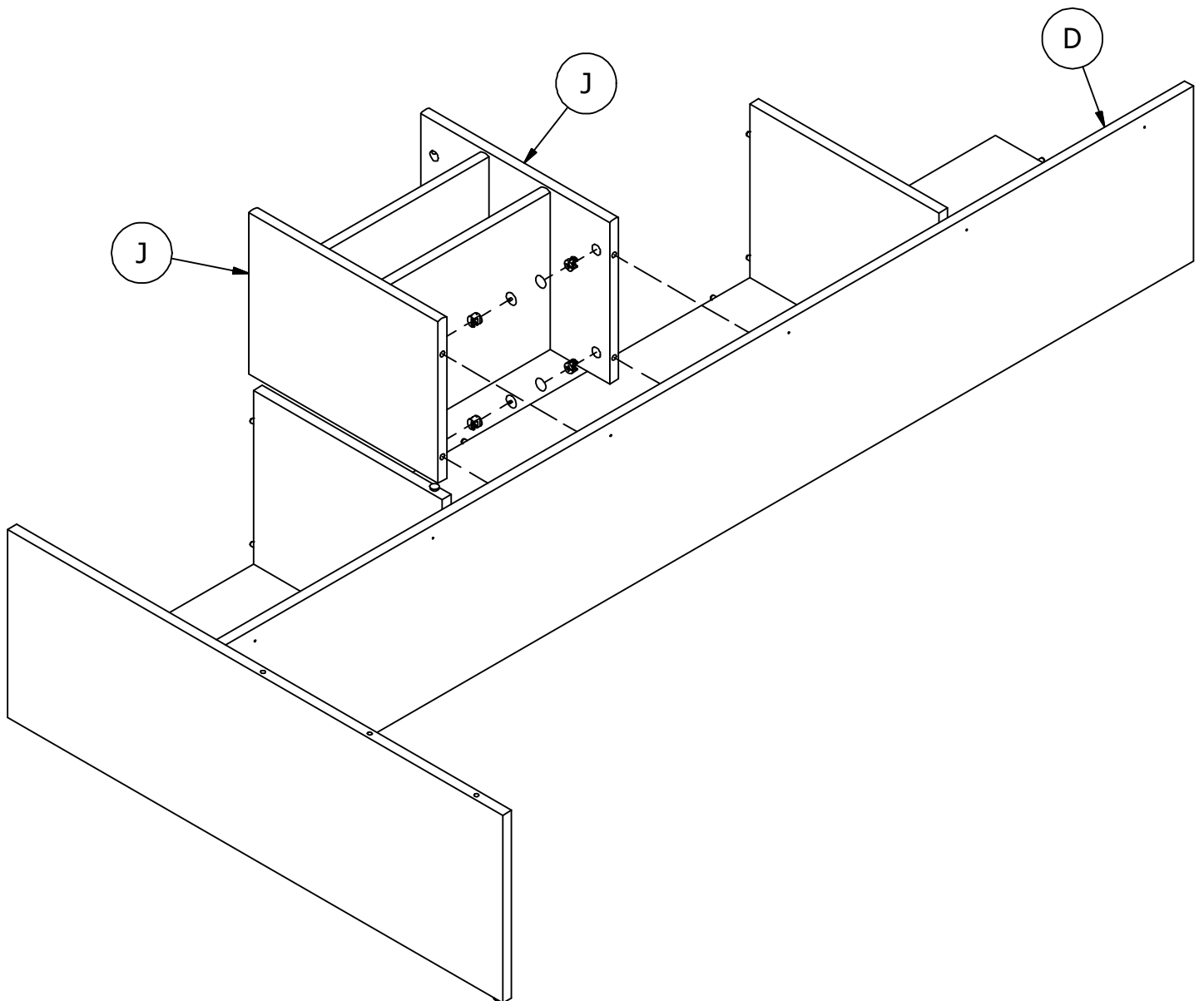
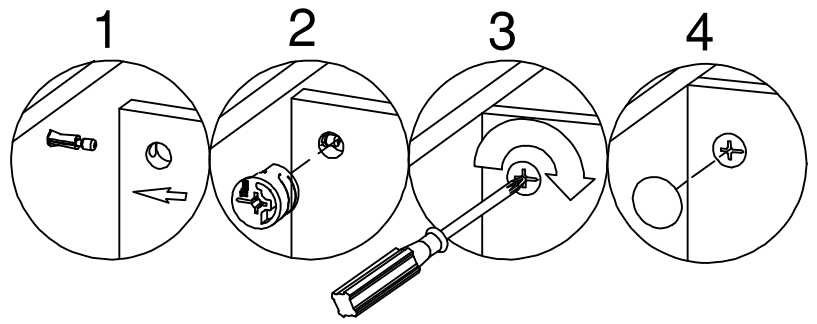
[4]

KD Cam



[4]

Cover Cap



STEP 12

Prepare Panel

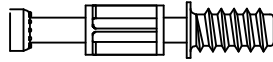
H126364



Mounting Plate

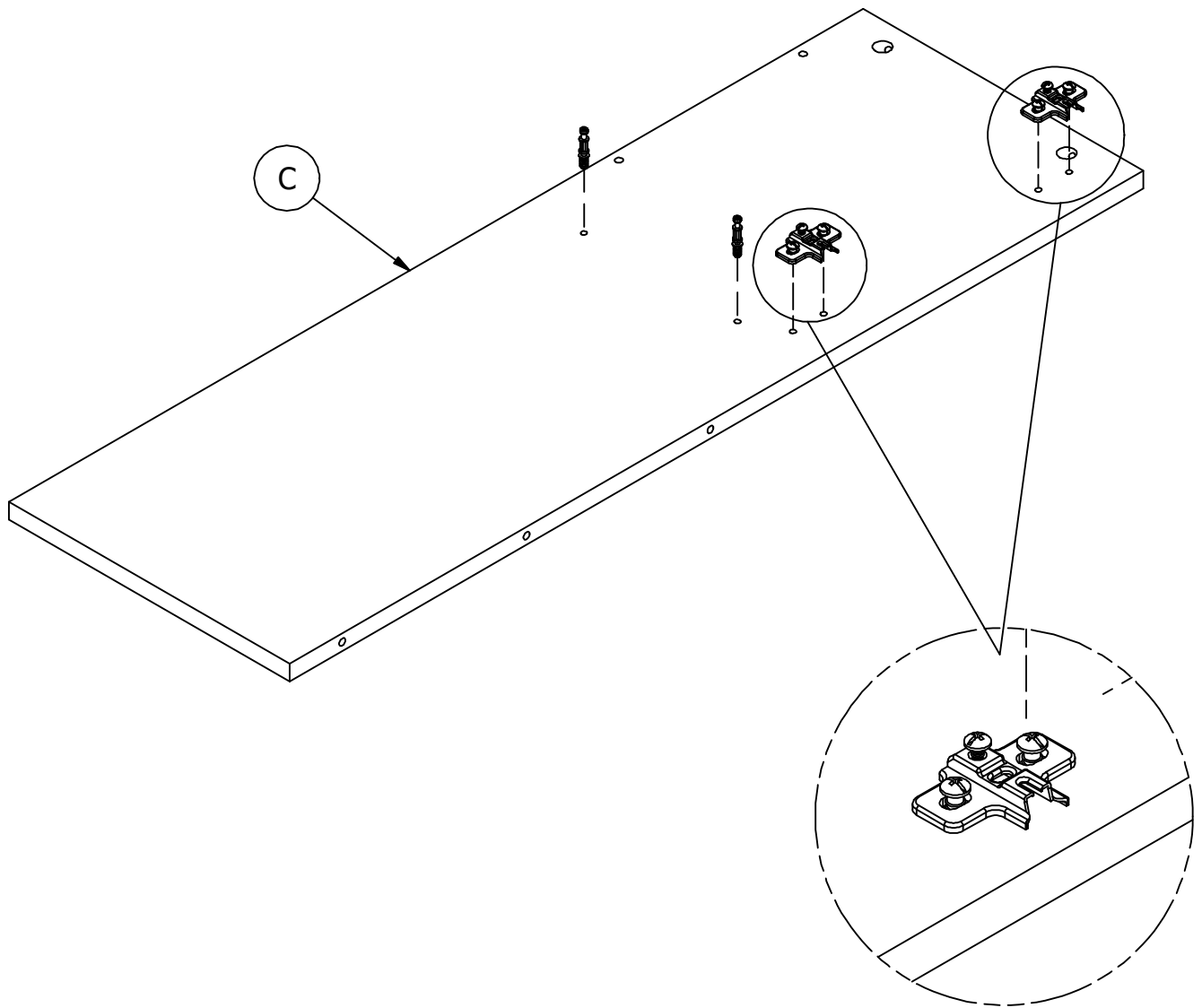
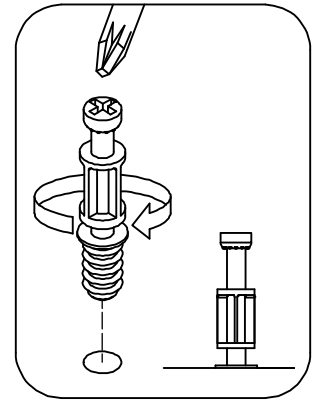
[2]

H72988



KD Bolt

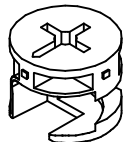
[2]



STEP 13

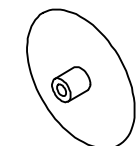
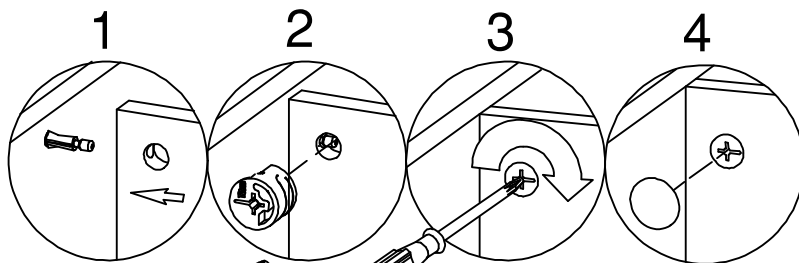
Assemble Panels

H71659



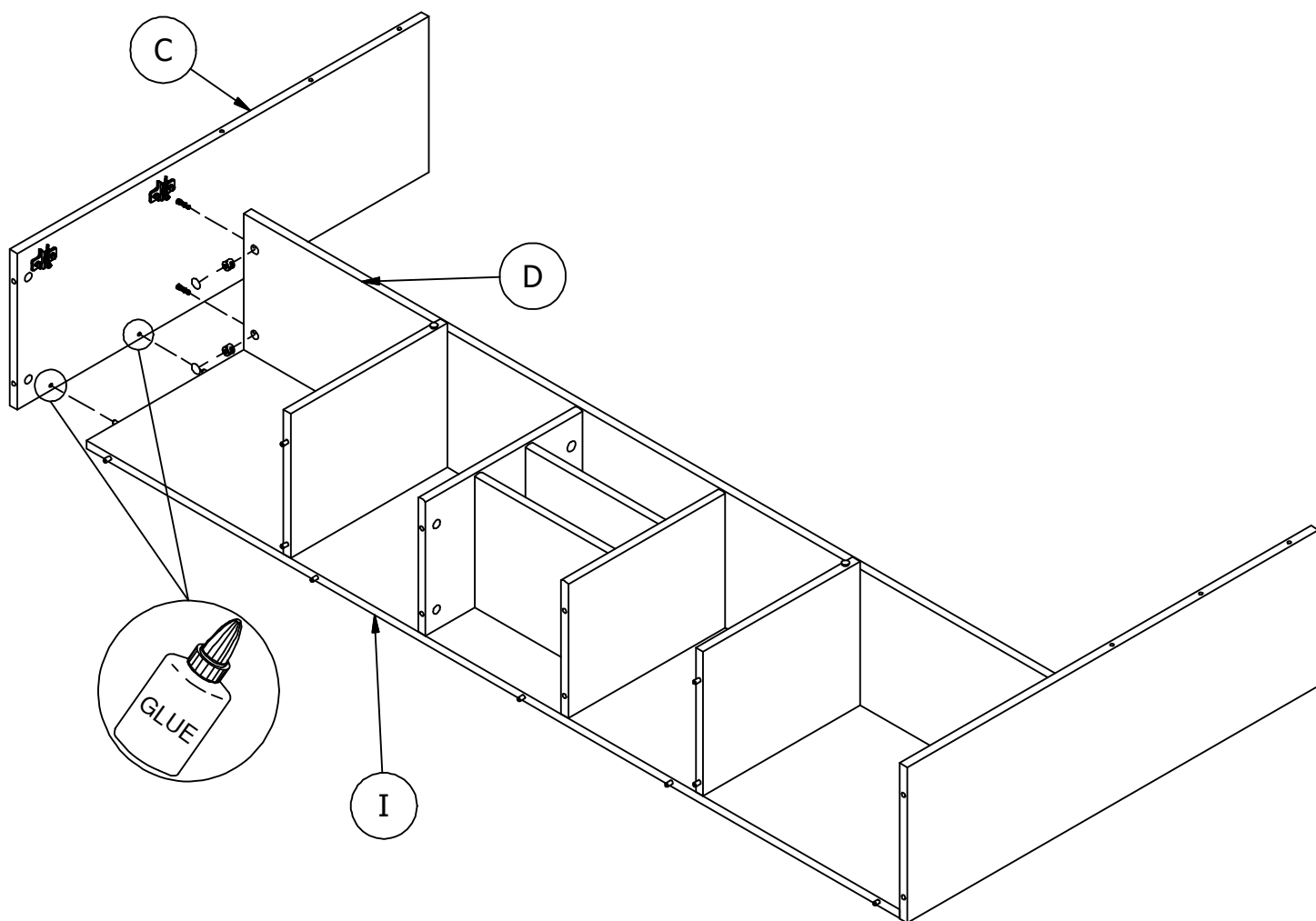
KD Cam

[2]



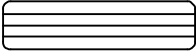
Cover Cap

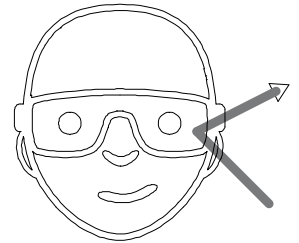
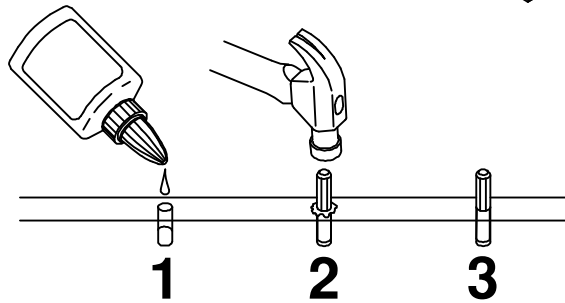
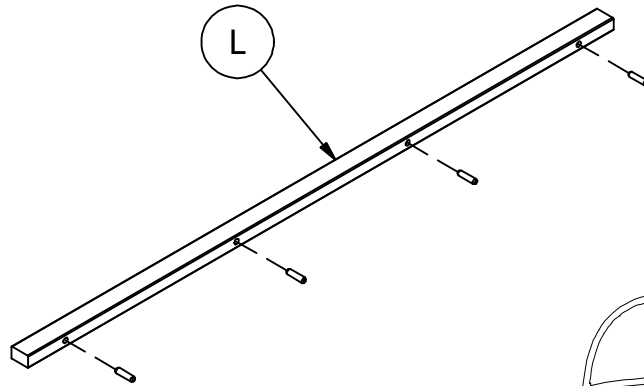
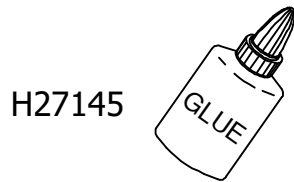
[2] H27145



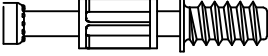
STEP 14

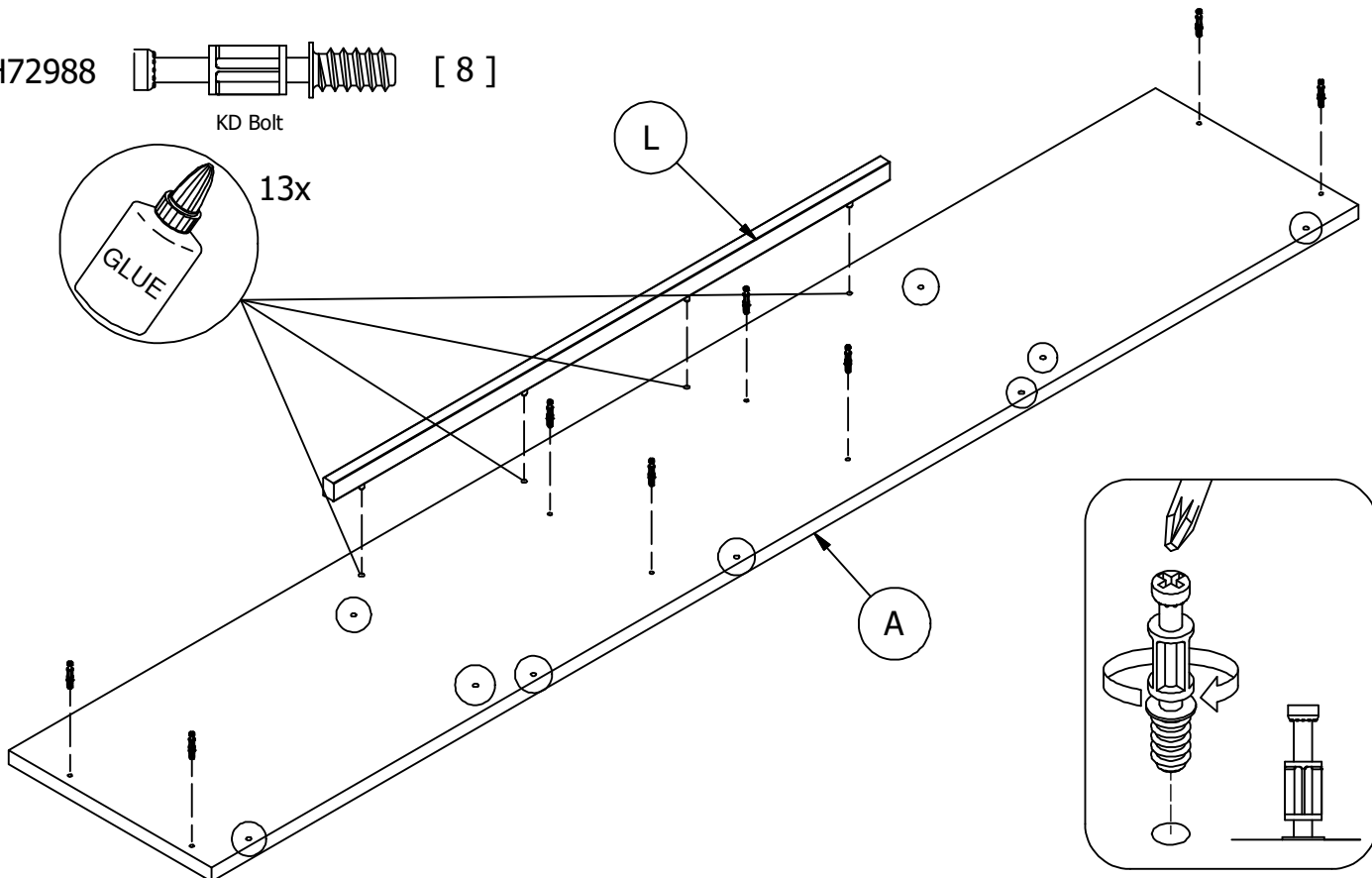
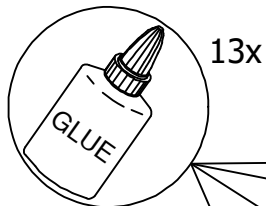
Prepare/Assemble Rail

H27771  [4]
Wood Dowel 1/4 x 1



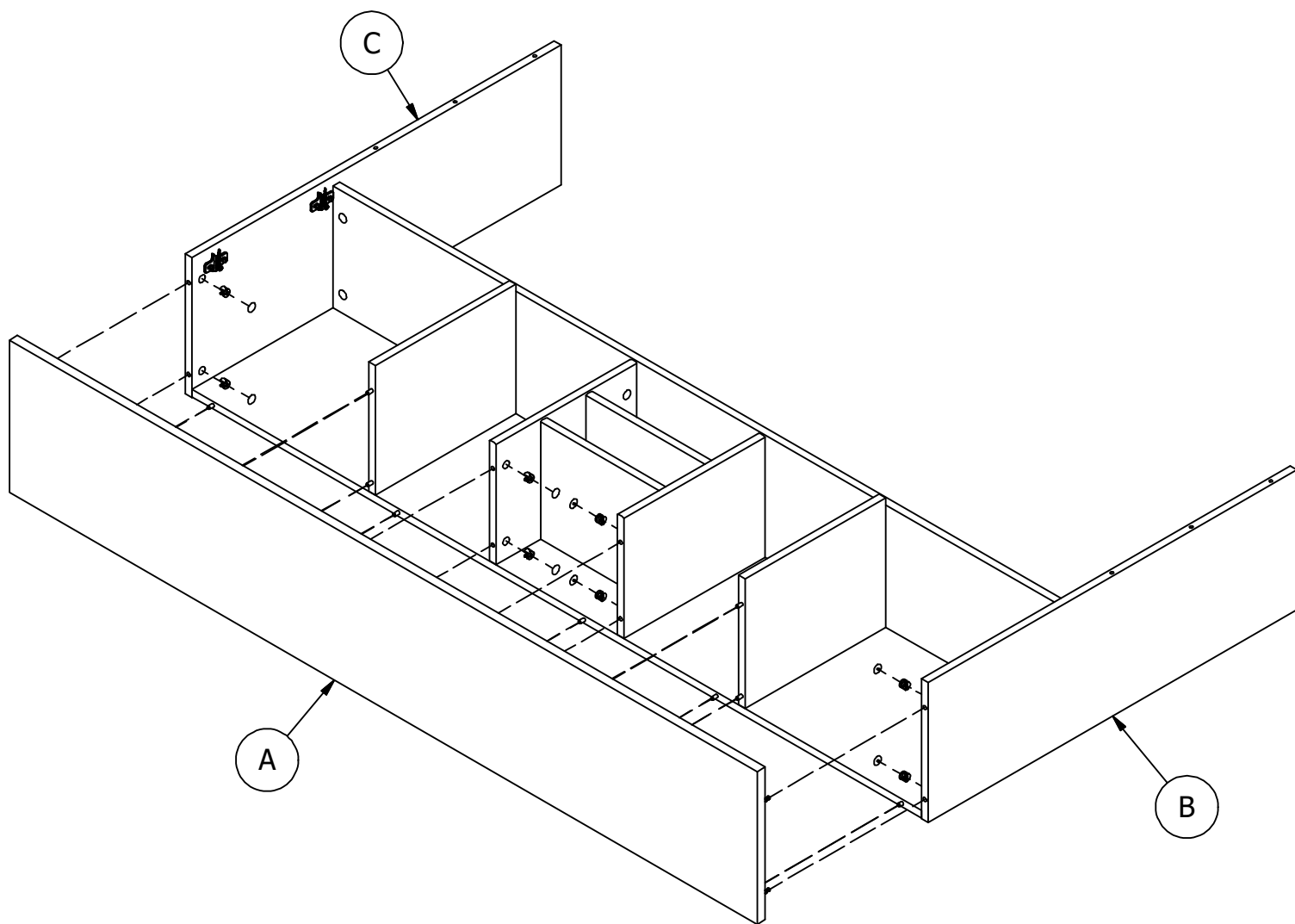
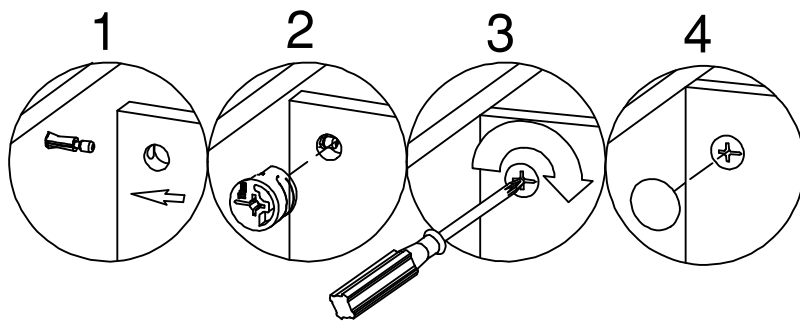
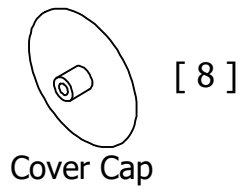
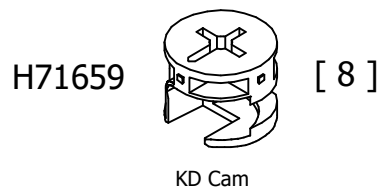
Safety glasses
Gafas de seguridad
Lunettes de protection

H72988  [8]
KD Bolt



STEP 15

Attach Top

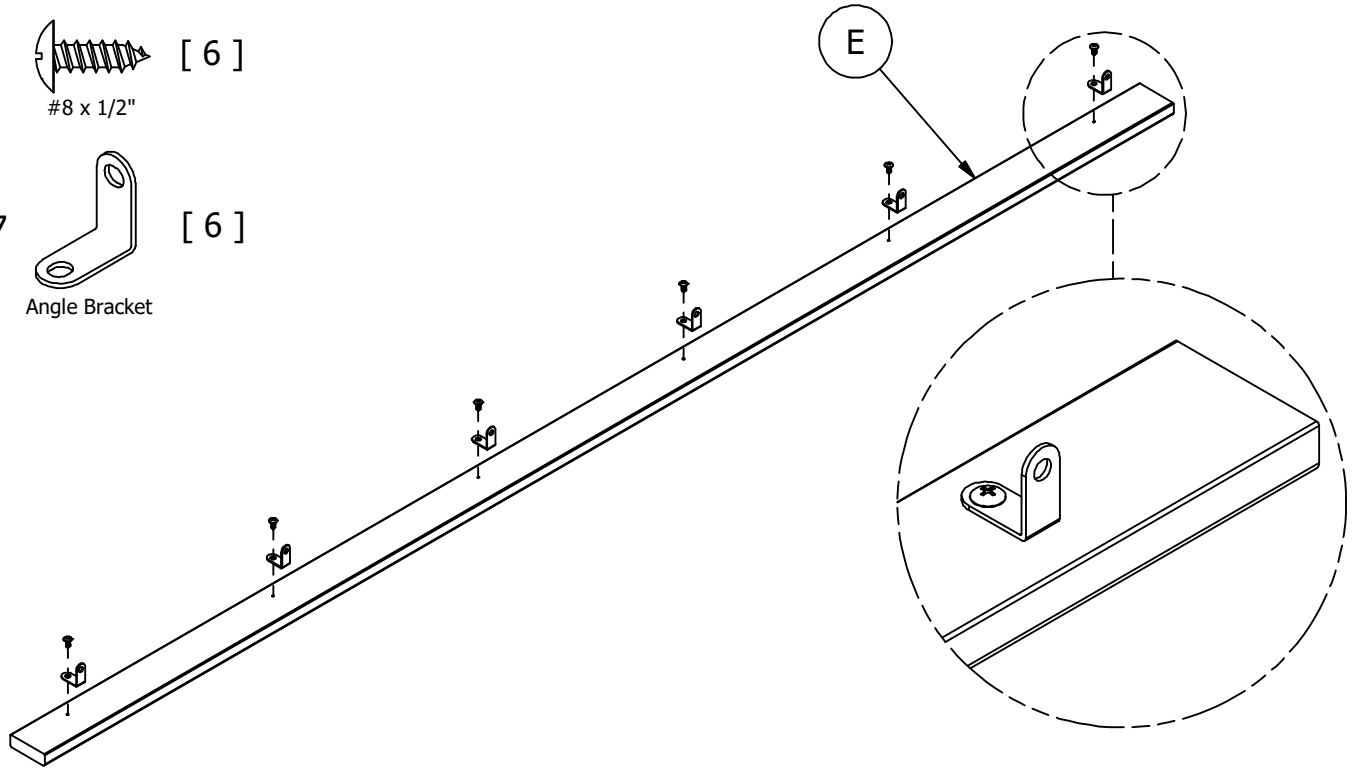


STEP 16

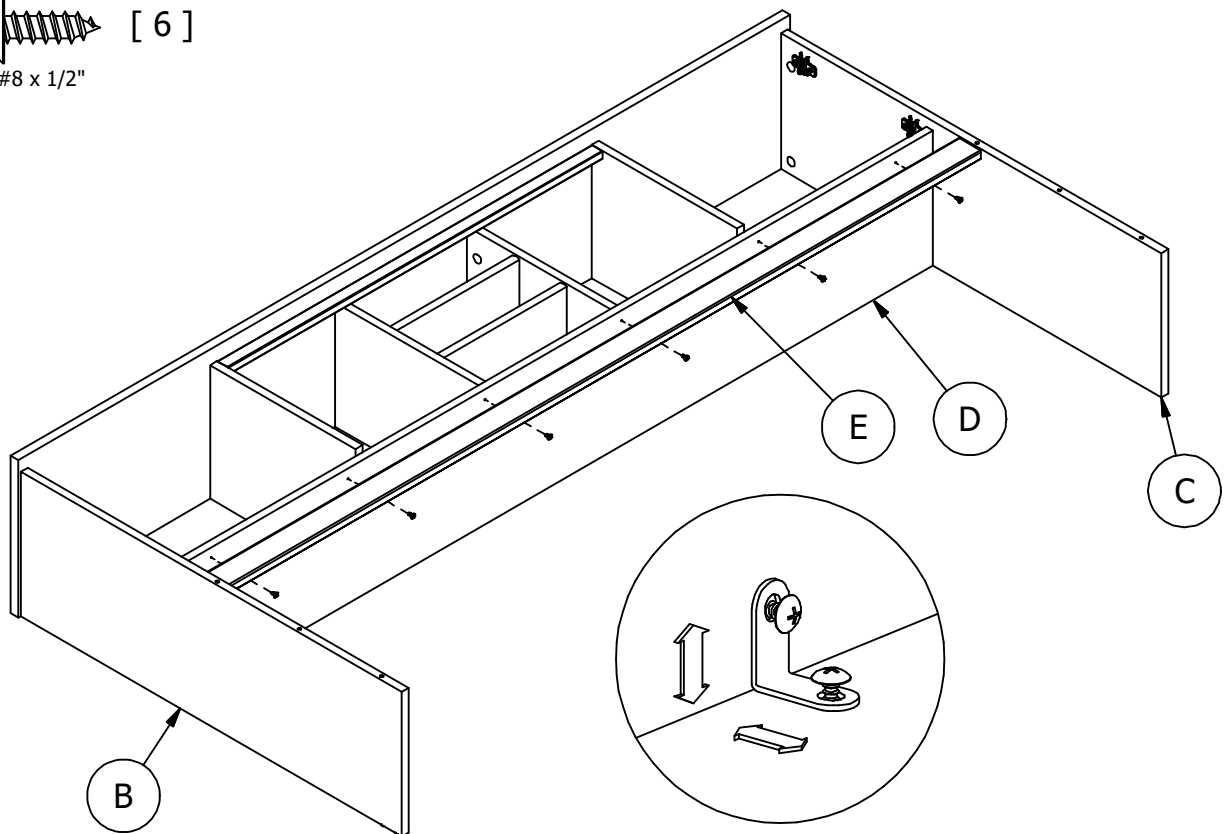
Prepare/Assemble Rail

H43507 [6]
#8 x 1/2"

H67187 [6]
Angle Bracket

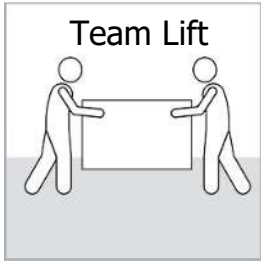


H43507 [6]
#8 x 1/2"

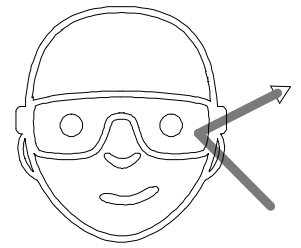


STEP 17

Attach Back Panel

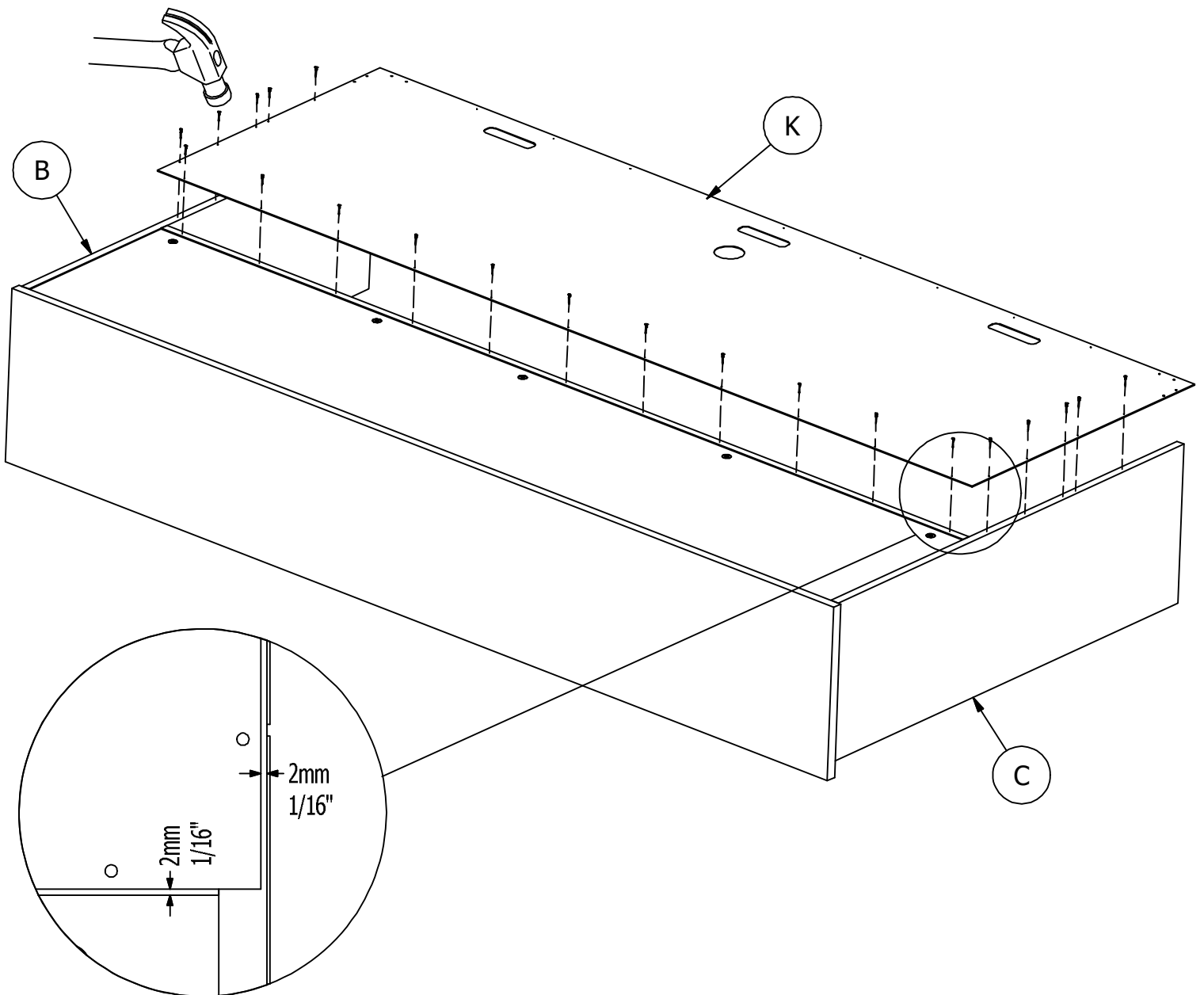


H34174 [21]
Nail 19mm



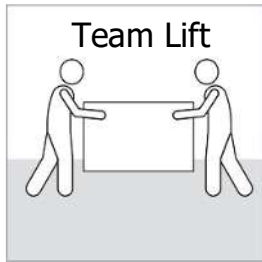
Flip unit over.
Voltee la unidad.
Retournez l'unité.

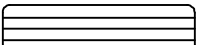
Safety glasses
Gafas de seguridad
Lunettes de protection



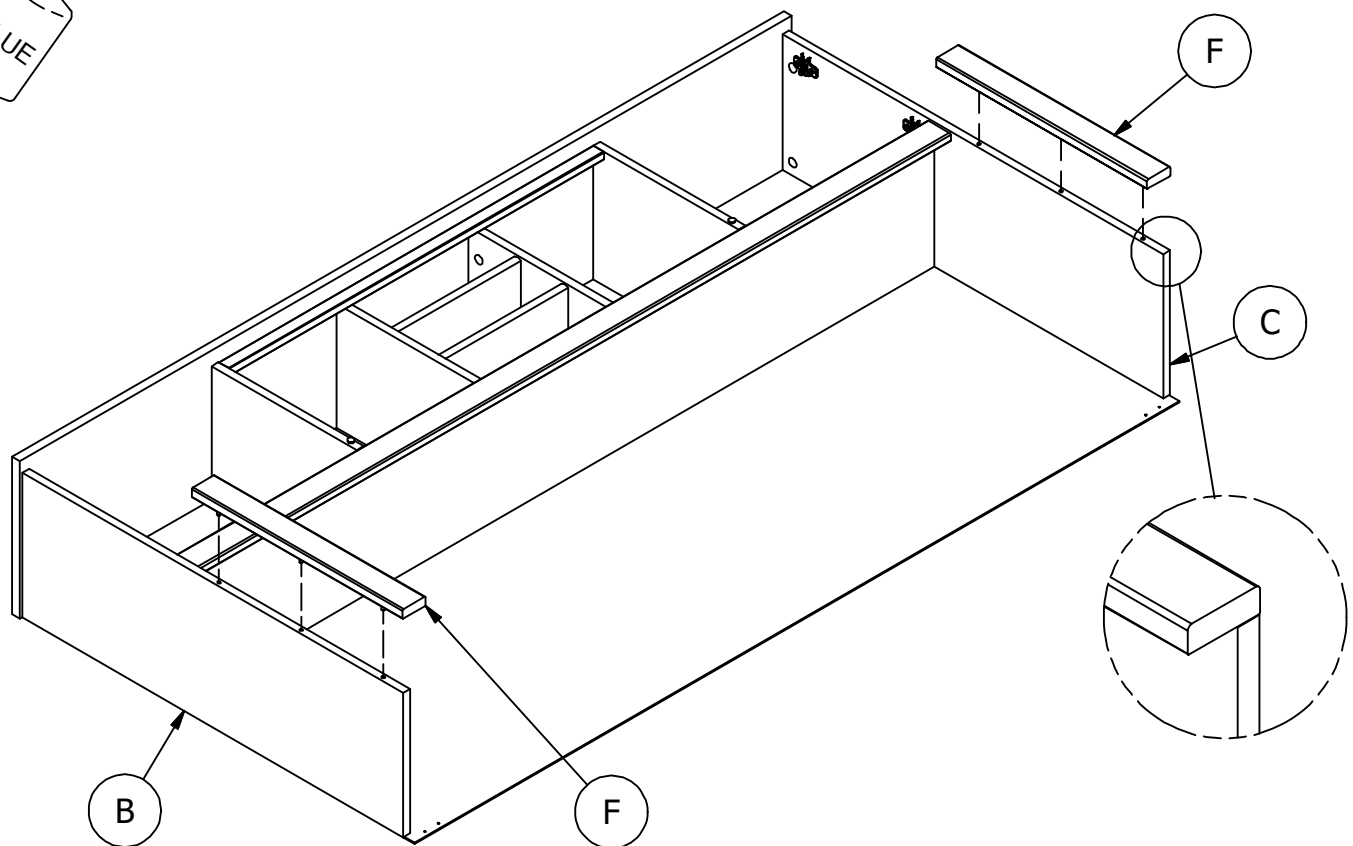
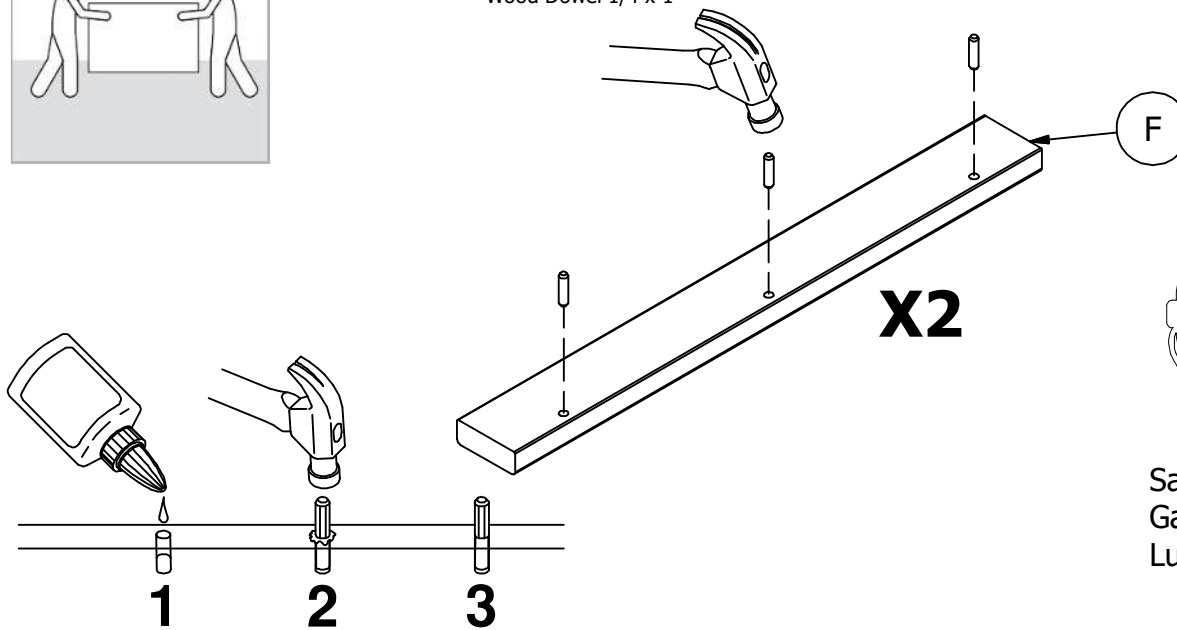
STEP 18

Prepare/Assemble Rail



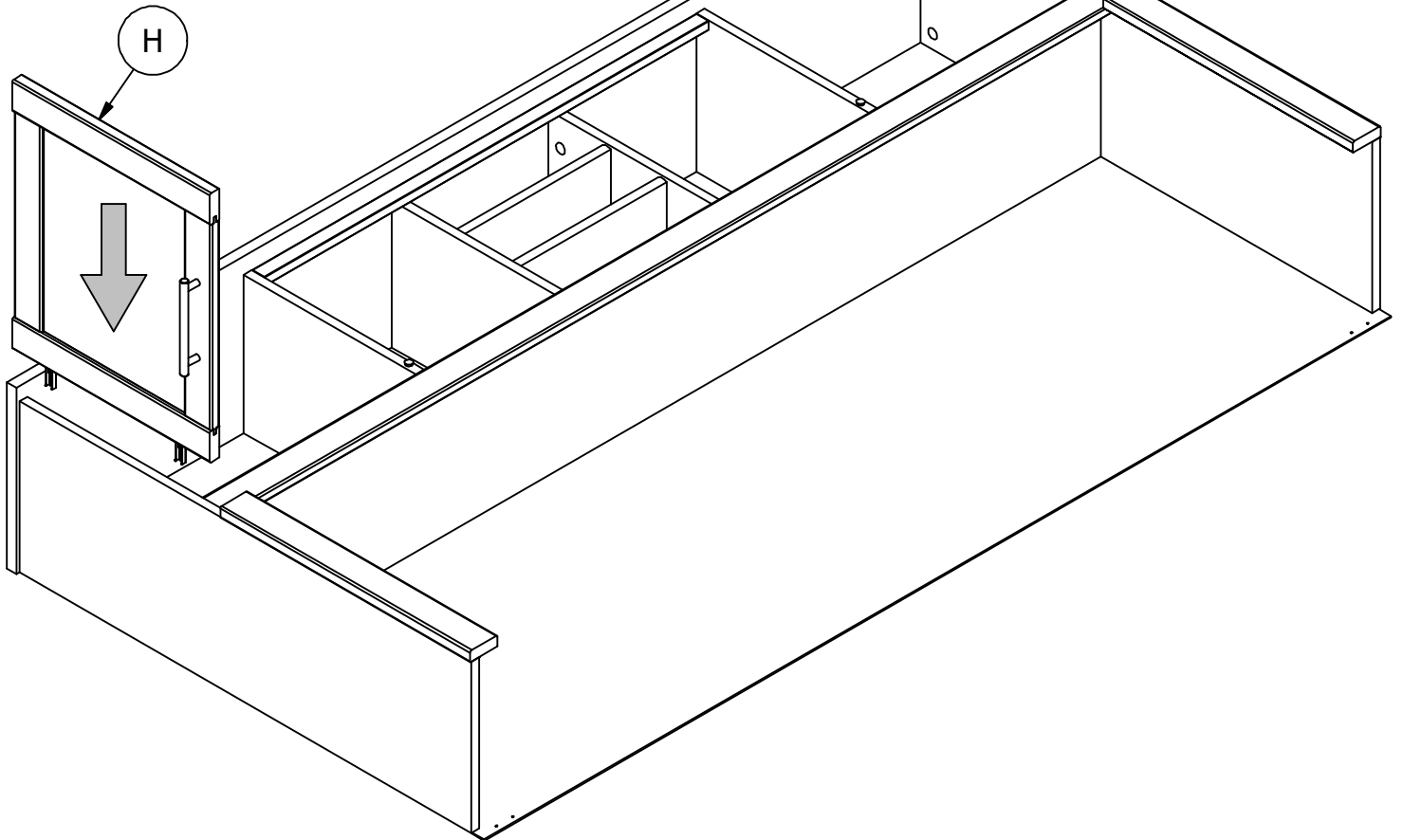
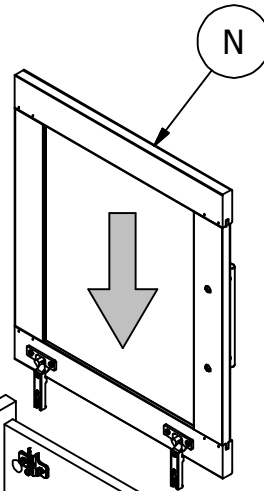
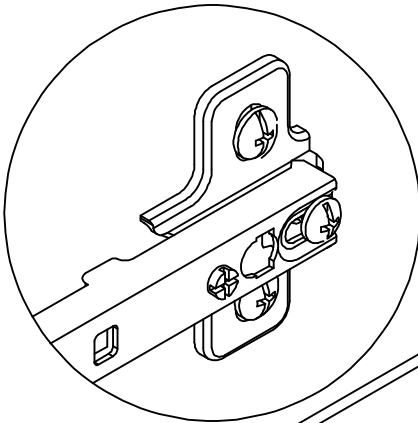
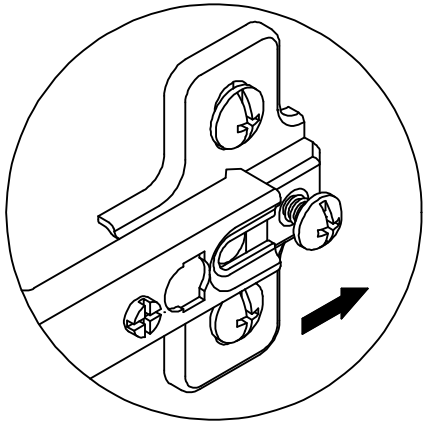
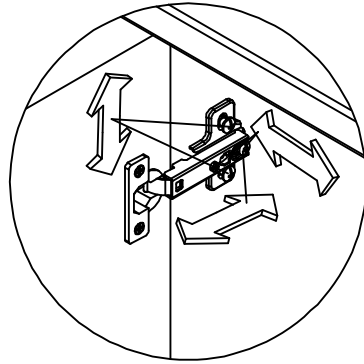
H27771  [6]
Wood Dowel 1/4 x 1

H27145



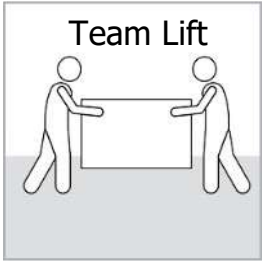
STEP 19

Attach Doors

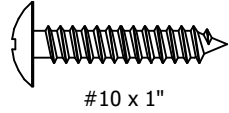


STEP 20

Attach Hutch



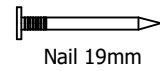
H23682



[8]

#10 x 1"

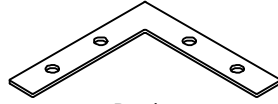
H34174



[9]

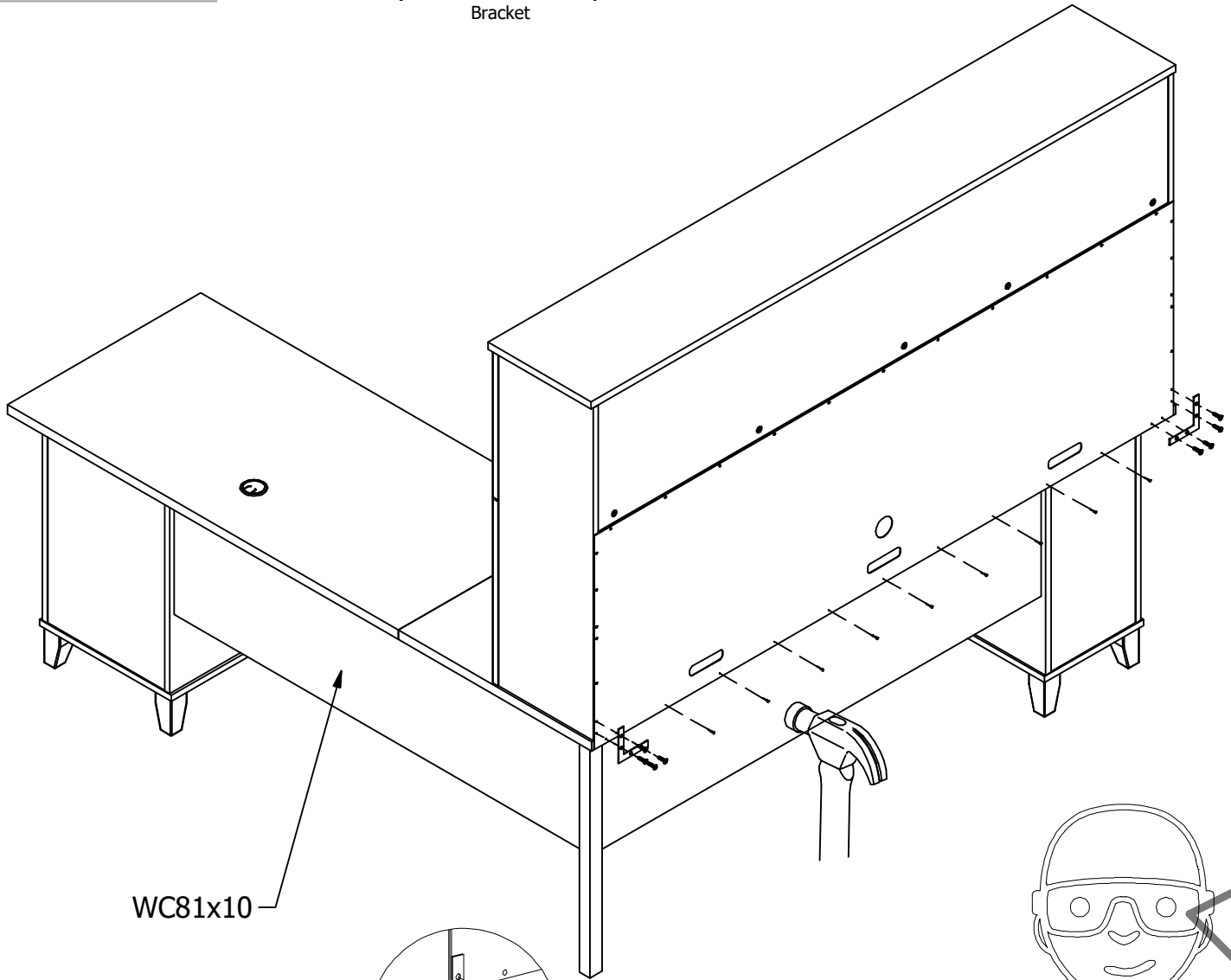
Nail 19mm

H85966

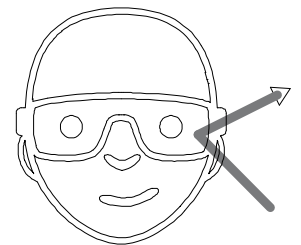
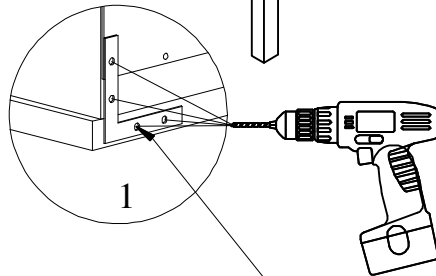


[2]

Bracket



WC81x10



Safety glasses
Gafas de seguridad
Lunettes de protection

Drill (8) 1/8" holes 3/4" deep.
Perfore (8) agujeros de 3mm a 19mm de profundidad.
Percer (8) trous de 3mm de diamètre et 19mm de profondeur.

STEP 21

Wall Attachment

Secure unit to the wall with a tip-over restraint.
Unidad de seguro a la pared con un sistema de retención de un vuelco.
Fixer l'unité au mur avec un dispositif de retenue renversement.

1. Place unit in desired location.
 2. Locate wall stud nearest unit center. **FIG A**
 3. On wall, mark center of stud location 1" below top of unit. **FIG A**
 4. If a wall stud cannot be located mark hollow wall at unit center. **FIG A**
 5. On back of unit, mark corresponding location 3/8" below top of unit. **FIG B**
1. Coloque la unidad en el lugar deseado.
 2. Localice pie derecho de pared centro de unidad más próxima.
 3. En la pared del, marque el centro de la ubicación del montante 1 "abajo la parte superior de la unidad.
 4. Si un poste de la pared no se puede localizar marcar pared hueca en el centro de la unidad.
 5. En el dorso de la unidad, marque la ubicación 3/8 correspondiente abajo la parte superior de la unidad.
1. Placez l'unité à l'endroit désiré.
 2. Localiser centre d'unité la plus proche de la paroi Stud.
 3. Sur le mur, centre de emplacement du montant 1 "ci-dessous dessus de l'appareil de la marque.
 4. Si un montant de mur ne peut pas être situé marquer mur creux au centre de l'unité.
 5. Le dos de l'appareil, marquer l'emplacement 3/8 correspondant ci-dessous dessus de l'appareil.

FIG A

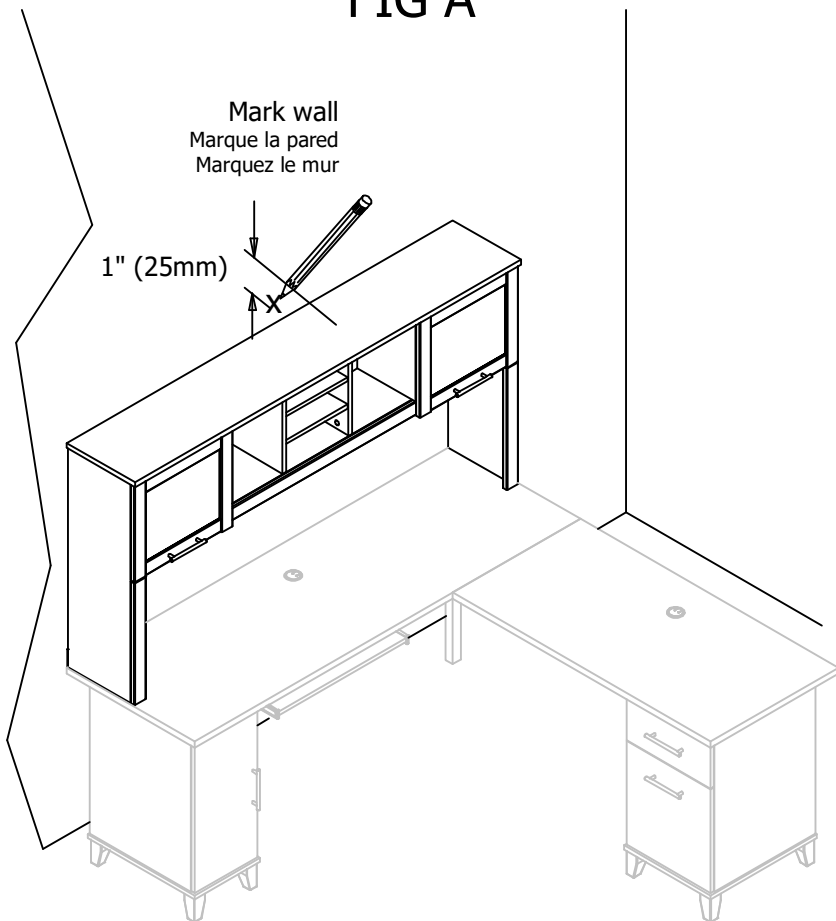
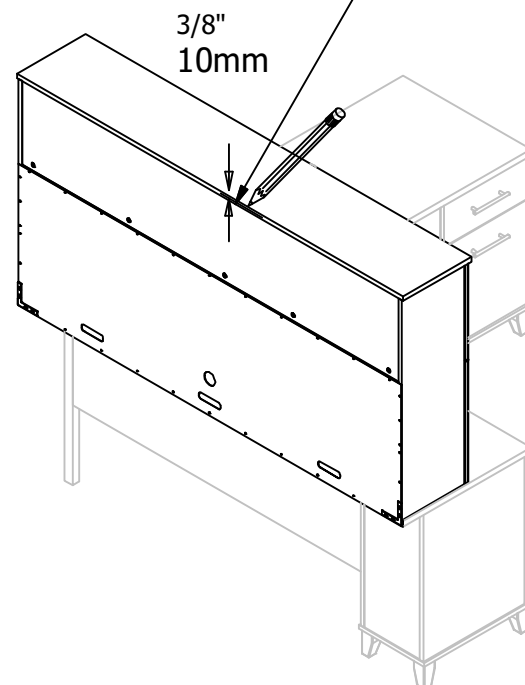


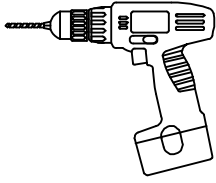
FIG B

Mark back within 6" (150mm) of center.
Marcar de vuelta dentro de 6" (150mm) de centro
Mark dans les 6" (150mm) de centre.





WALL STUD ATTACHMENT

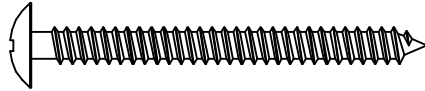


Drill 1/8" hole 2" deep at mark on wall.

Taladro 1/8 "agujero 2" de profundidad en la marca en la pared.

Percer 1/8 "trou de 2" de profondeur à la marque sur le mur.

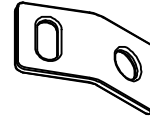
H181434



#10 x 2"

[1]

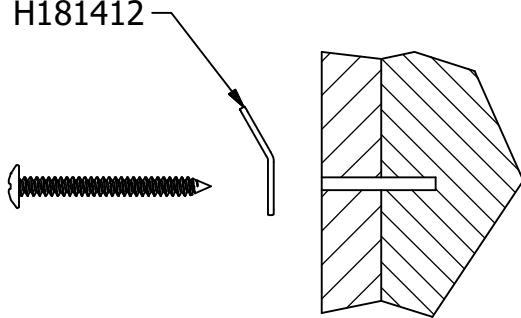
H181412



[1]

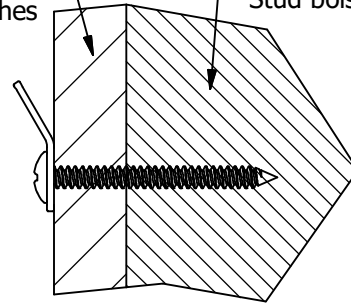
Connecting Plate

H181412

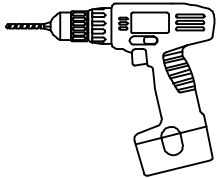


Drywall
Paneles de yeso
cloisons sèches

Wood stud
Montante de madera
Stud bois



HOLLOW WALL ATTACHMENT

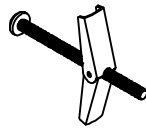


Drill 1/2" hole 1" deep at mark on wall.

Taladro 1/2 "agujero 1" de profundidad en la marca en la pared.

Percer 1/2 "trou de 1" de profondeur à la marque sur le mur.

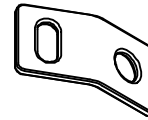
H181419



Toggle Bolt

[1]

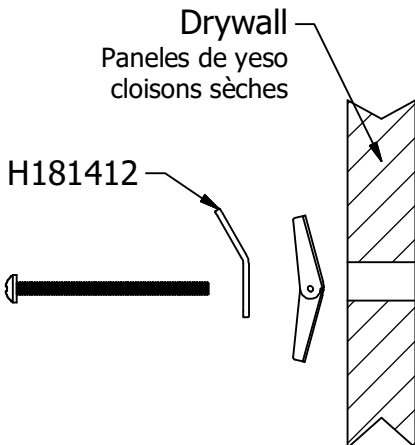
H181412



[1]

Connecting Plate

H181412



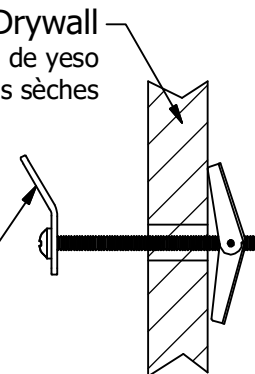
Drywall
Paneles de yeso
cloisons sèches

Drywall
Paneles de yeso
cloisons sèches

Pull while tightening

Jale mientras aprieta

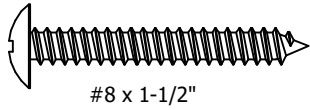
Tirer tout en resserrant



STEP 23

Wall Attachment

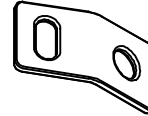
H107572



[1]

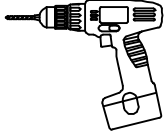
#8 x 1-1/2"

H181412

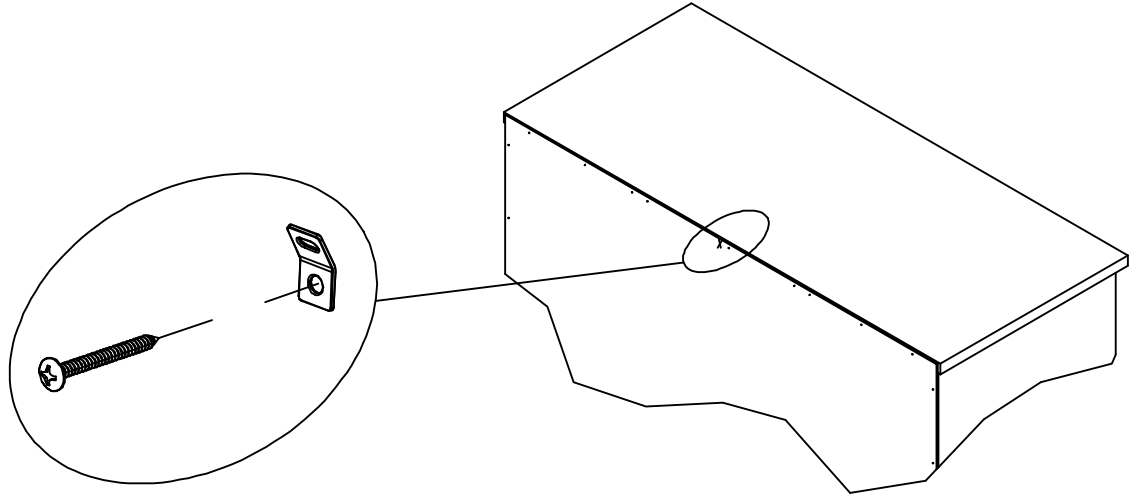


[1]

Connecting Plate



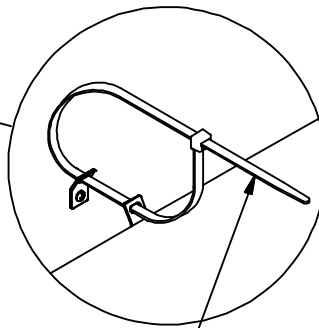
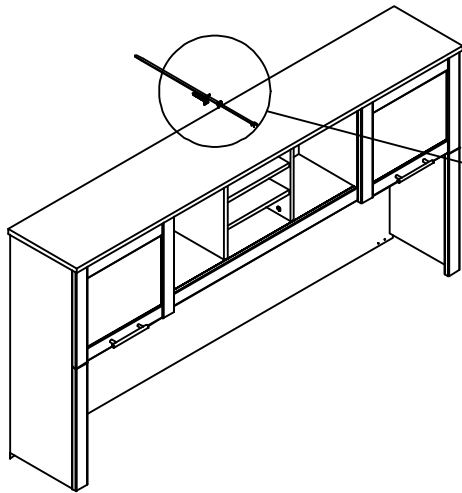
Drill 1/8" hole 1" deep at mark on unit.
Taladro 1/8 "agujero de 1" de profundidad en la marca de la unidad.
Perçer 1/8 "trou 1" de profondeur à la marque sur l'unité.



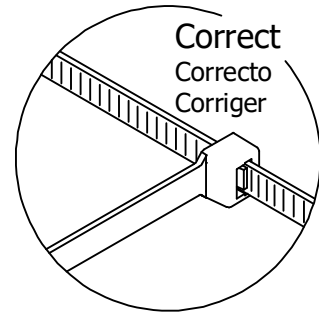
H181411

Nylon Cable Tie

[1]

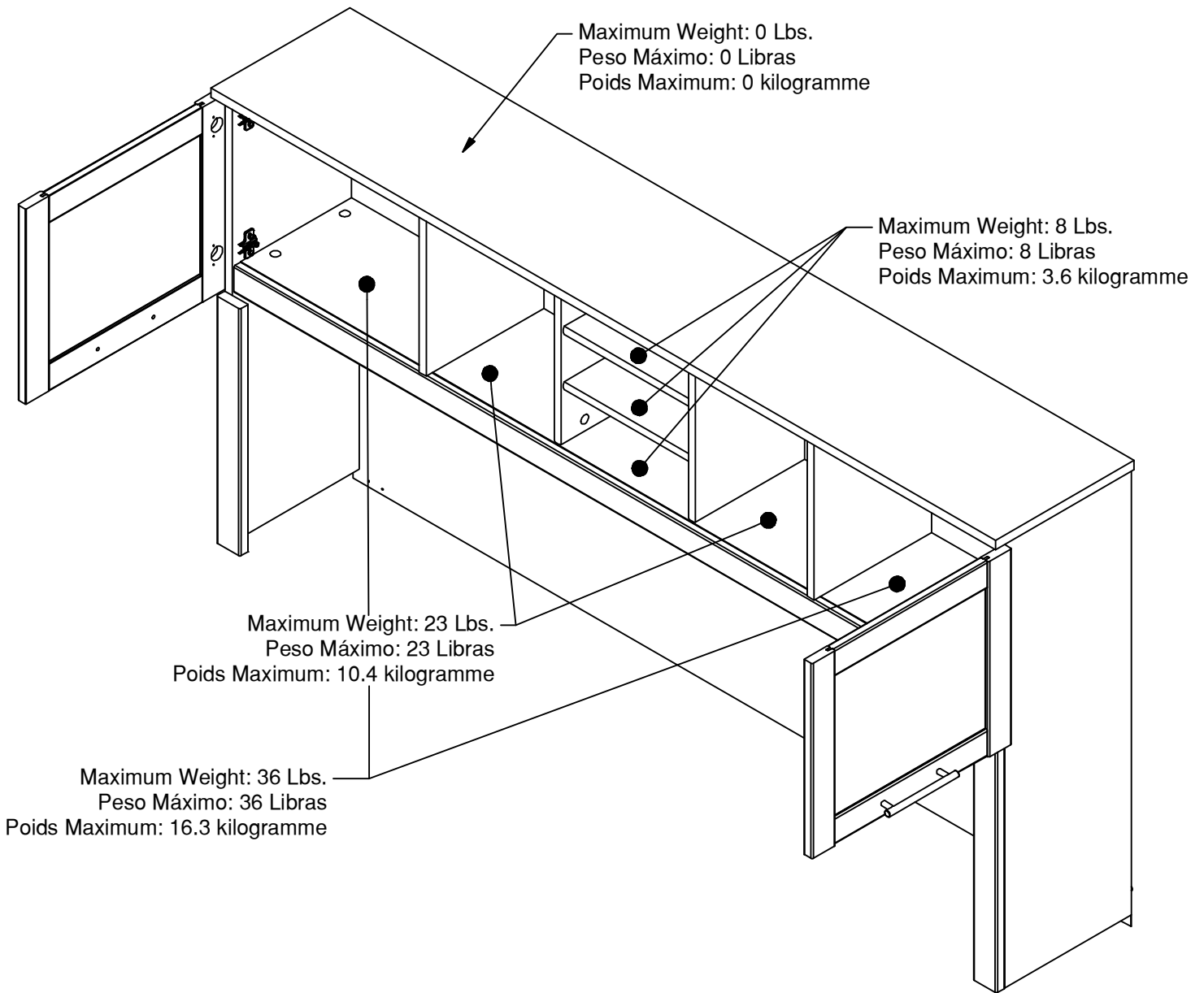


Pull to verify lock
Tire para verificar cerradura
Tirez pour vérifier serrure



Use replacement cable tie with minimum breaking strength of 120lbs.
Utilice reemplazo empate Cable con resistencia a la rotura mínima de 120 libras.
Utilisez remplacement Attache de câble avec une force de rupture minimale de 120 lbs.

Gently clean surfaces with a damp sponge eraser.

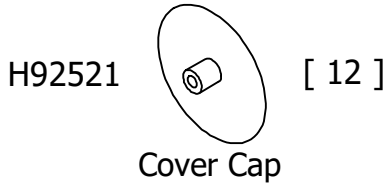
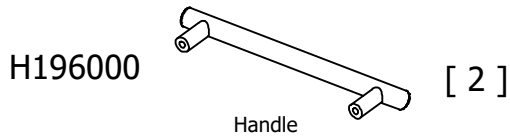


Congratulations! You are all done. If you have any questions or concerns, please call.

PARTS LIST

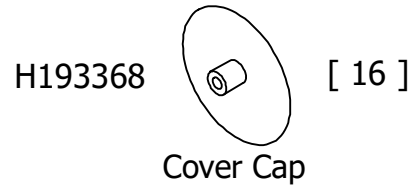
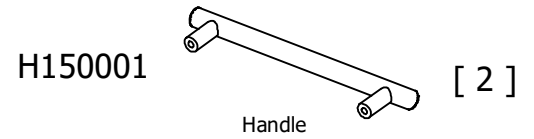
WC81011

A [1] W196064	H [1] S196062
B [1] W196065	I [1] W193902
C [1] W196066	J [2] W193903
D [1] W193899	K [1] W193904
E [1] W196068	L [1] W196073
F [2] W196061	M [2] W193906
G [2] W196069	N [1] S196063



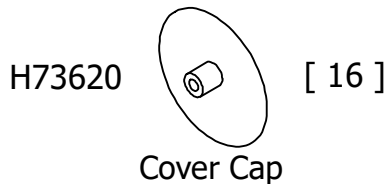
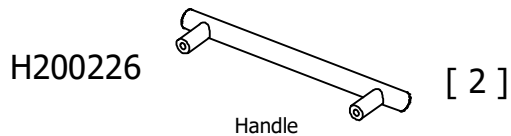
WC81111

A [1] W200476	H [1] S200474
B [1] W200477	I [1] W200482
C [1] W200478	J [2] W200483
D [1] W200479	K [1] W200484
E [1] W200480	L [1] W200485
F [2] W200473	M [2] W200486
G [2] W200481	N [1] S200475



WC81311

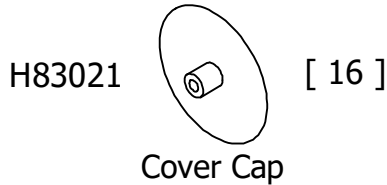
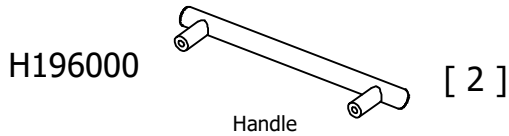
A [1] W200382	H [1] S200380
B [1] W200383	I [1] W200388
C [1] W200384	J [2] W200389
D [1] W200385	K [1] W200390
E [1] W200386	L [1] W200391
F [2] W200379	M [2] W200392
G [2] W200387	N [1] S200381



PARTS LIST

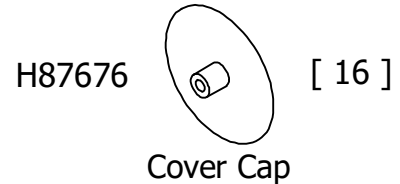
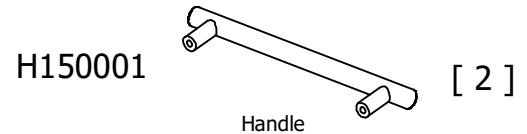
WC81211

A [1] W195857	H [1] S195855
B [1] W195858	I [1] W195863
C [1] W195859	J [2] W195864
D [1] W195860	K [1] W195865
E [1] W195861	L [1] W195866
F [2] W195854	M [2] W195867
G [2] W195862	N [1] S195856



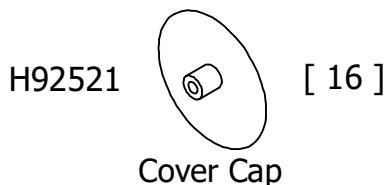
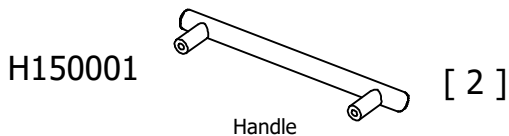
WC81411

A [1] W122521	H [1] S156277
B [1] W156321	I [1] W120380
C [1] W156322	J [2] W113927
D [1] W113925	K [1] W177873
E [1] W103081	L [1] W103087
F [2] W103082	M [2] W113928
G [2] W113926	N [1] S156278



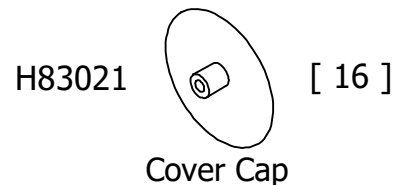
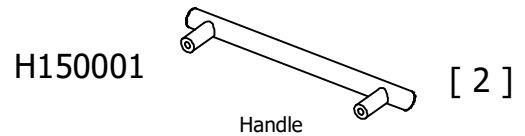
WC81511

A [1] W193896	H [1] S193891
B [1] W193897	I [1] W193902
C [1] W193898	J [2] W193903
D [1] W193899	K [1] W193904
E [1] W193900	L [1] W193905
F [2] W193889	M [2] W193906
G [2] W193901	N [1] S193895



WC81611

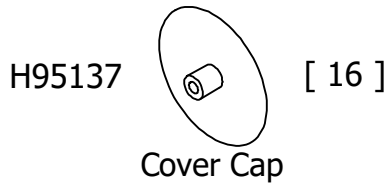
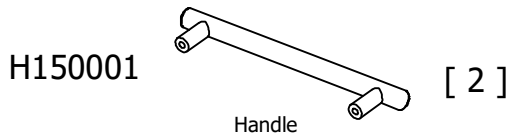
A [1] W189180	H [1] S189141
B [1] W189181	I [1] W189186
C [1] W189182	J [2] W189187
D [1] W189183	K [1] W189188
E [1] W189184	L [1] W189189
F [2] W189139	M [2] W189190
G [2] W189185	N [1] S189145



PARTS LIST

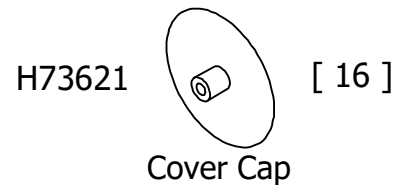
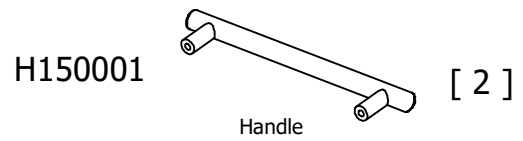
WC81711

A [1] W145245	H [1] S156279
B [1] W156323	I [1] W145255
C [1] W156324	J [2] W145252
D [1] W145249	K [1] W177874
E [1] W145250	L [1] W145254
F [2] W145248	M [2] W145253
G [2] W145251	N [1] S156280



WC81811

A [1] W177536	H [1] S177512
B [1] W177537	I [1] W177542
C [1] W177538	J [2] W177543
D [1] W177539	K [1] W177875
E [1] W177540	L [1] W177545
F [2] W177514	M [2] W177546
G [2] W177541	N [1] S177513



WC81911

A [1] W196064	H [1] S196062
B [1] W196065	I [1] W196070
C [1] W196066	J [2] W196071
D [1] W196067	K [1] W196072
E [1] W196068	L [1] W196073
F [2] W196061	M [2] W196074
G [2] W196069	N [1] S196063

