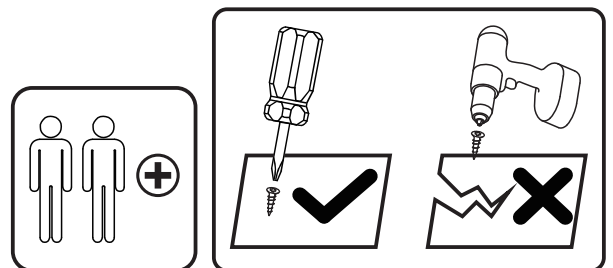
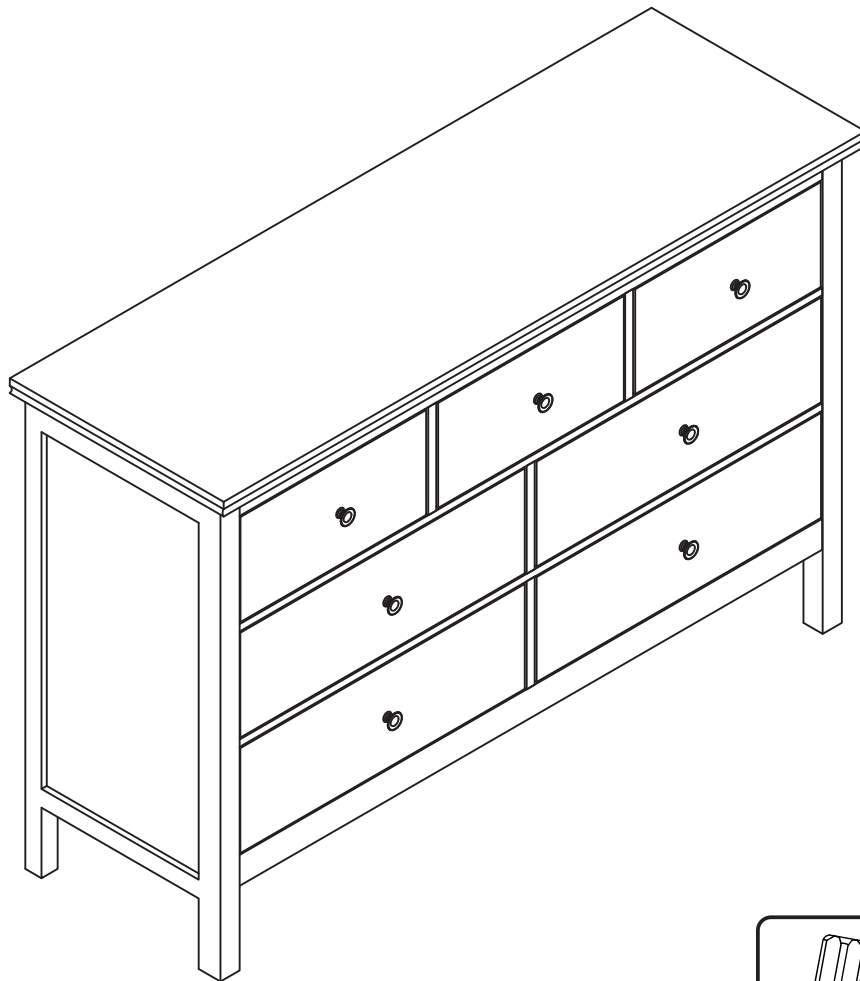


# ASSEMBLY INSTRUCTIONS



## Tools Recommended

THIS INSTRUCTIONS CONTAINS IMPORTANT SAFETY INFORMATION.  
PLEASE READ BEFORE ASSEMBLY AND KEEP FOR FUTURE REFERENCE.

*Need Parts or Assistance? Email us at [cs@nbrehome.com](mailto:cs@nbrehome.com)*

# IMPORTANT NOTICE

- This product contains small components, please ensure that they are kept away from small children.
- THIS INSTRUCTIONS CONTAINS IMPORTANT SAFETY INFORMATION. PLEASE READ BEFORE ASSEMBLY AND KEEP FOR FUTURE REFERENCE.
- Read each step carefully. It is very important that each step of instruction is performed in the correct order. If these steps are not followed in sequence, assembly difficulties will occur.
- Make sure all parts are included. Most parts are labelled or stamped on the raw edge.
- Work in spacious area, preferably on a carpet, near the place the unit will be used.
- Do not use power tools to assemble your furniture. Power tools may strip or damage the parts.
- Move your new furniture carefully, with two people lift and carry the unit to it's new location.
- Never push, drag or pull your furniture (especially on carpet)





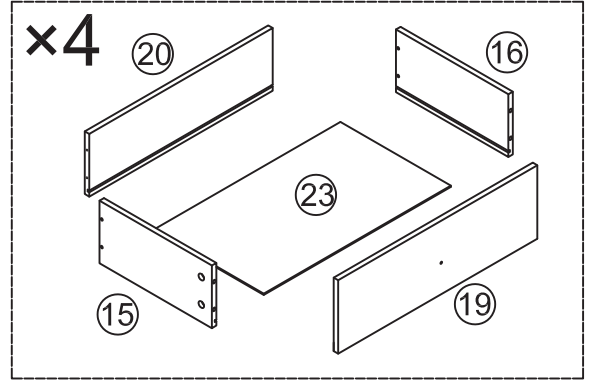
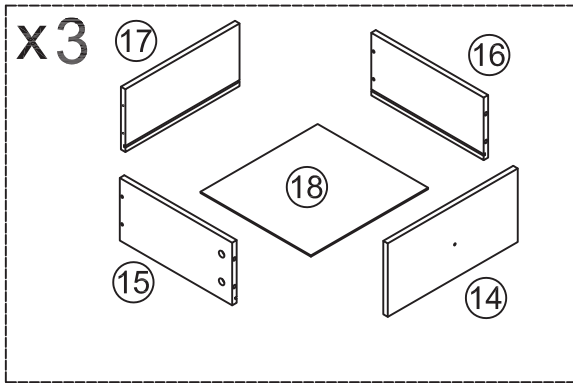
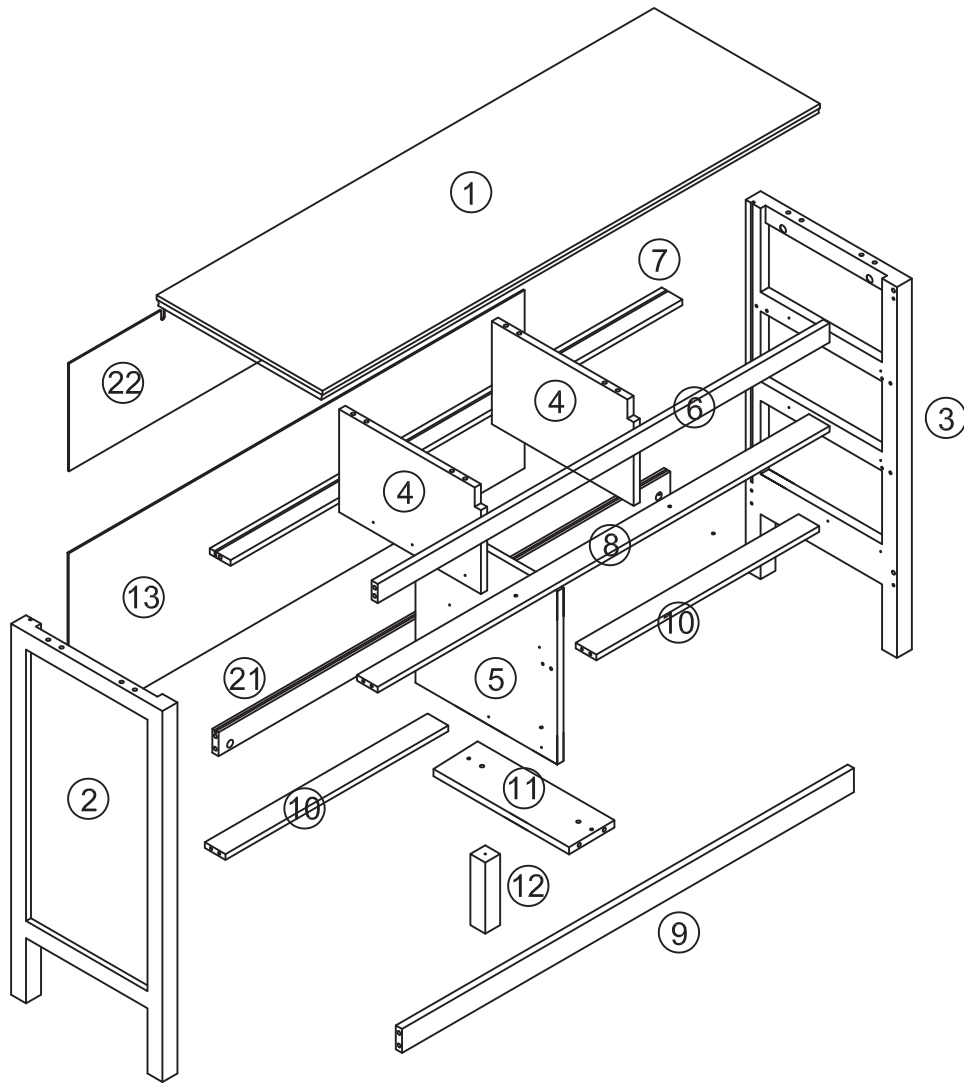
## PLEASE DO NOT RETURN PRODUCT TO US IMMEDIATELY

If a part is missing or damaged, email our customer service. We will gladly ship your replacement parts FREE of charge.

Need Parts or Assistance? Email us at [cs@nbrehome.com](mailto:cs@nbrehome.com)

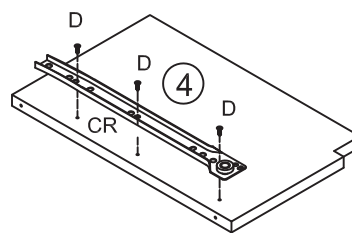
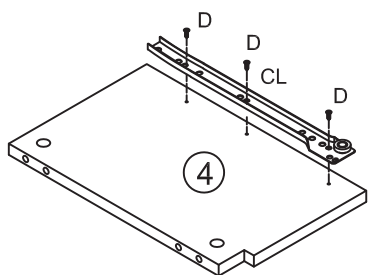
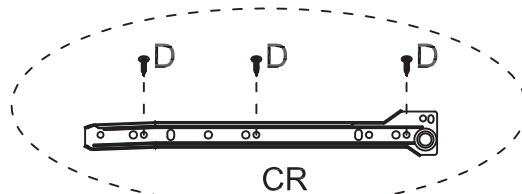
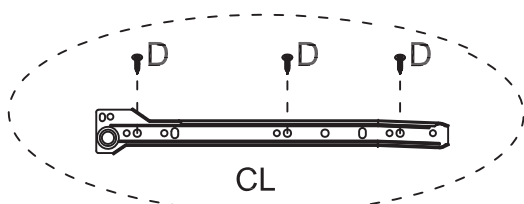
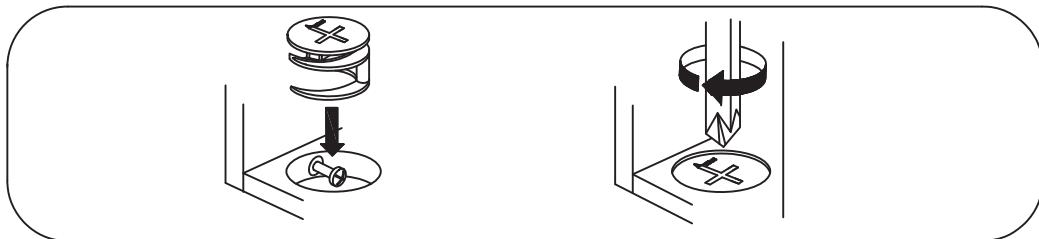
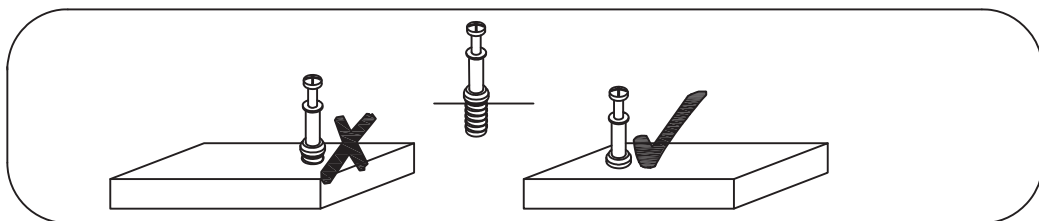
For Prompt, reliable service, please have your assemble instruction ready.

<b>! WARNING</b>	
	<p><b>Children have died from furniture tipover. To reduce the risk of furniture tipover:</b></p> <ul style="list-style-type: none"><li>• ALWAYS install anti-tip device provided.</li><li>• NEVER put a TV on this product.</li><li>• NEVER allow children to stand, climb or hang on any drawers, doors, or shelves.</li><li>• NEVER open more than one drawer at a time.</li><li>• Place heaviest items in the lowest drawers.</li></ul>
	
<p><i>This is a permanent label. Do not remove!</i></p>	

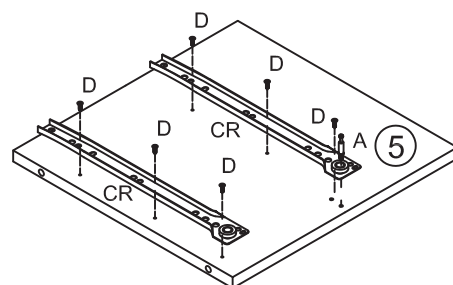
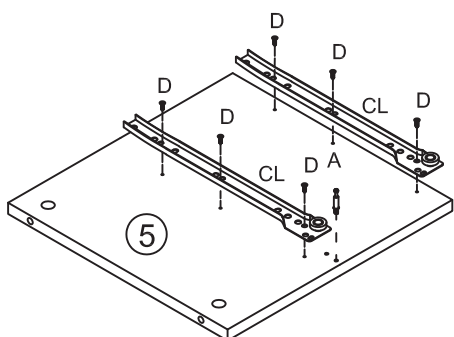
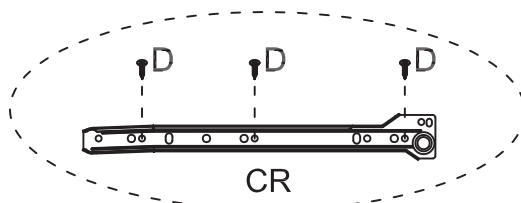
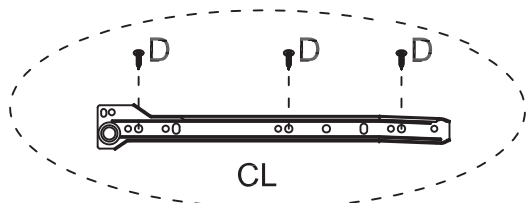


<b>A</b> x56 Ø6x35mm	<b>B</b> x56 4x16mm	<b>C</b> x16 6x30mm	<b>D</b> x84 3.5x12mm	<b>E</b> x7 5x45mm	<b>F</b> x28 4x30mm	<b>G</b> x12 3x14mm
<b>H</b> x12 4x16mm	<b>I</b> x7 4x16mm	<b>J</b> x7 4x16mm	<b>K</b> x2 4x14mm	<b>L</b> x2 4x14mm	<b>M</b> x2 4x35mm	<b>N</b> x2 4x35mm
<b>O</b> x4 4x35mm	<b>P</b> x1 4x16mm	<b>Q</b> x2 4x45mm	<b>R</b> x1 6x50mm	<b>CL</b> x7 4x30mm	<b>CR</b> x7 4x30mm	<b>DL</b> x7 4x30mm
<b>DR</b> x7 4x30mm						

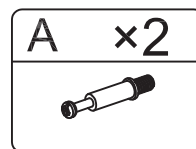
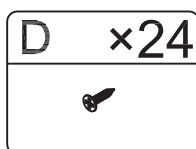
# STEP 1



**×2**



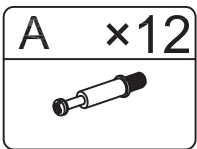
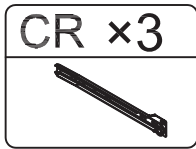
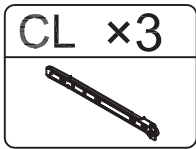
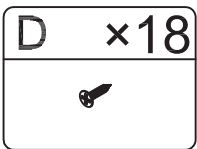
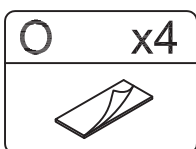
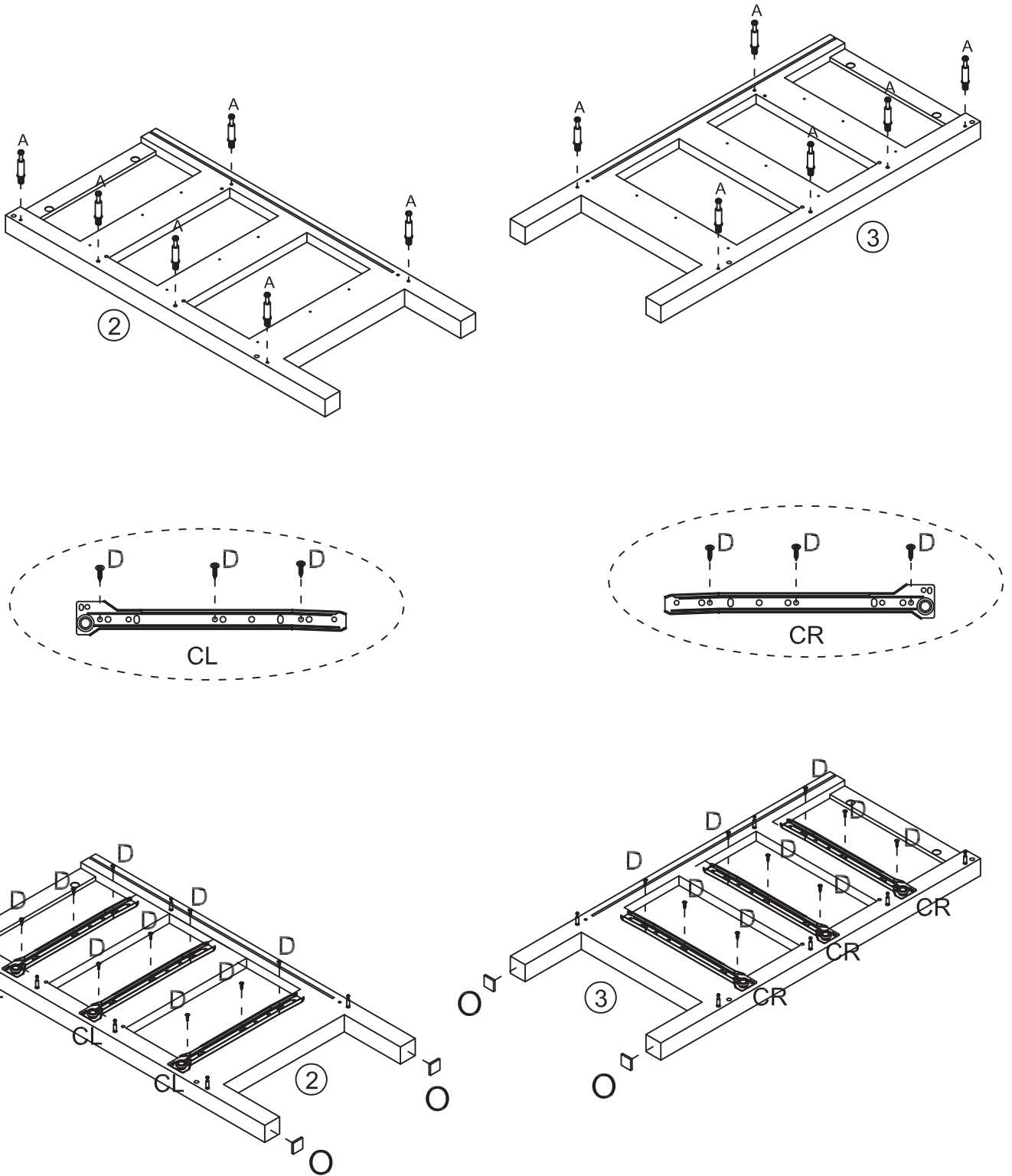
First lock the guide rail CL to the right side of the part 4 (x2) & part 5 with screw D, then turn it 180 degrees and lock the guide rail CR to the left side of the part 4(x2) & part 5 with screw D, the installation position is as shown.



# STEP 2

Firstly insert screw A into corresponding holes in part 2 & part 3 as shown, then lock the guide rail CL to the part 2 with screw D and Lock the guide rail CR to the part 3 with screw D, the installation position is as shown.

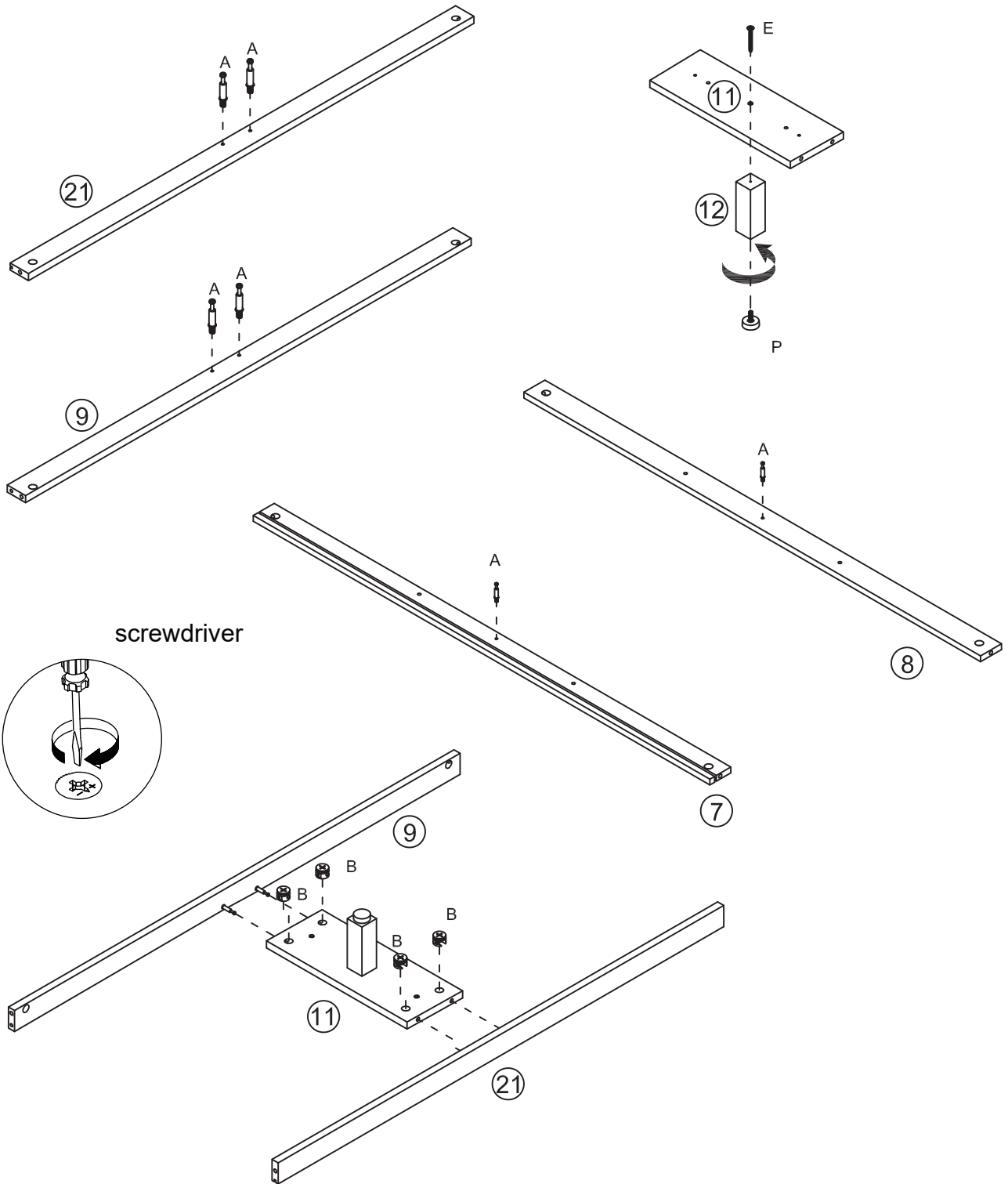
Attach mat O to the legs bottom as shown.



# STEP 3

Install the screw A on the part 21 & 9 & 7 & 8, attach tack glide P to part 12 in clockwise to tighten, attach part 12 to part 11 with screw E.

Attach part 9 & 21 & 11 with cam lock, insert cam lock B into the corresponding holds in part 11 and use a screwdriver to turn it clockwise to tighten, the installation position is as shown.

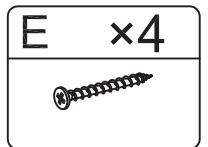
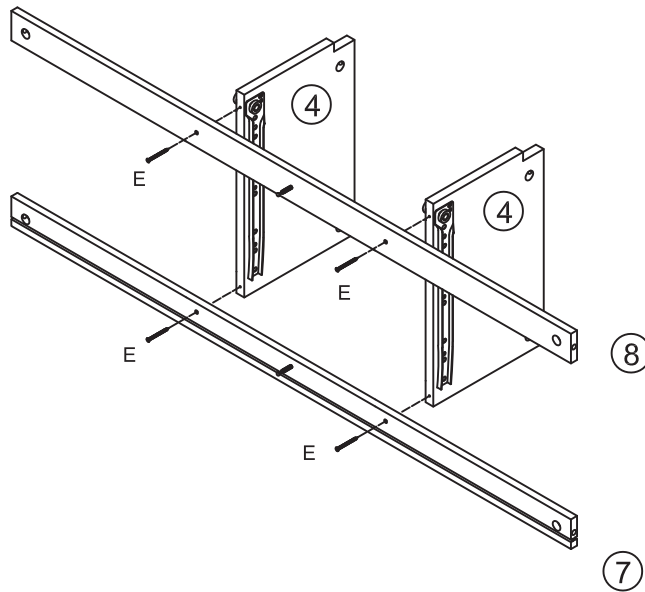


screwdriver

E x1	B x4	P x1	A x6
			

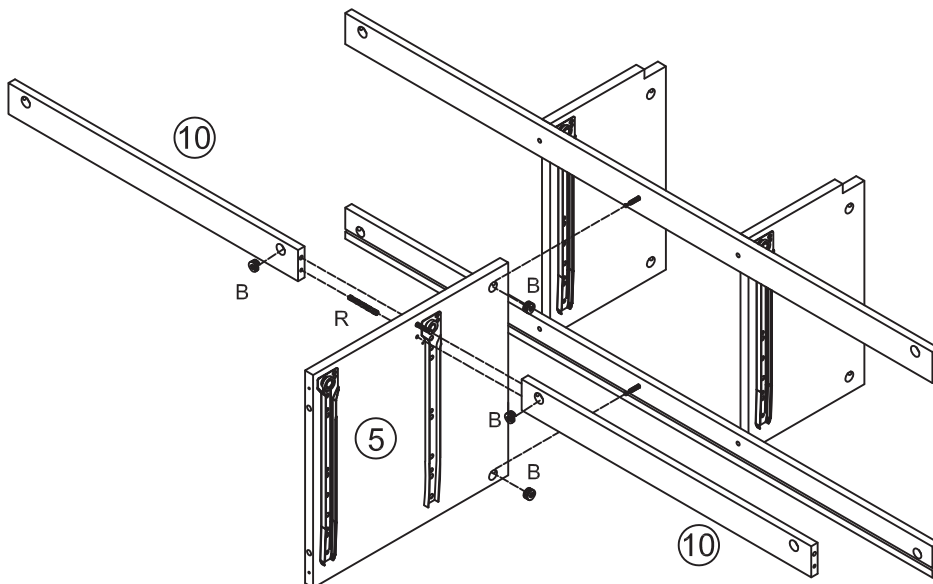
# STEP 4

Attach part 4(x2) to part 7 & 8 with screw E, the installation position is as shown below

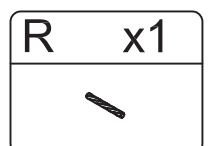
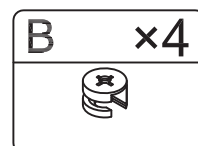
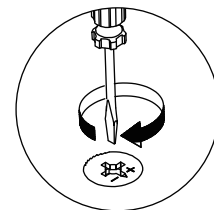


# STEP 5

Insert the dowel R to part 5 firstly, then attach part 10 (x2) to part 5 & assembled part 7.8 with cam lock B, insert cam lock B into the corresponding holds and use a screwdriver to turn it clockwise to tighten, the installation position is as shown.

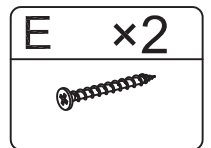
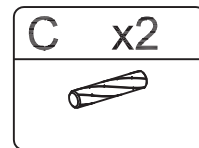
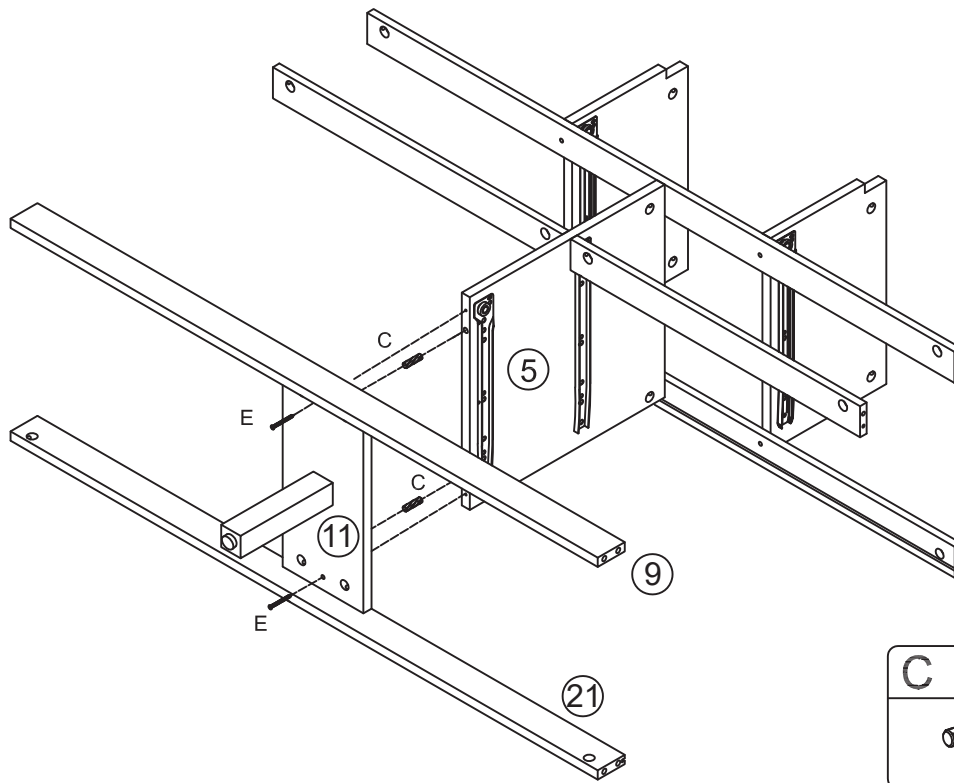


screwdriver



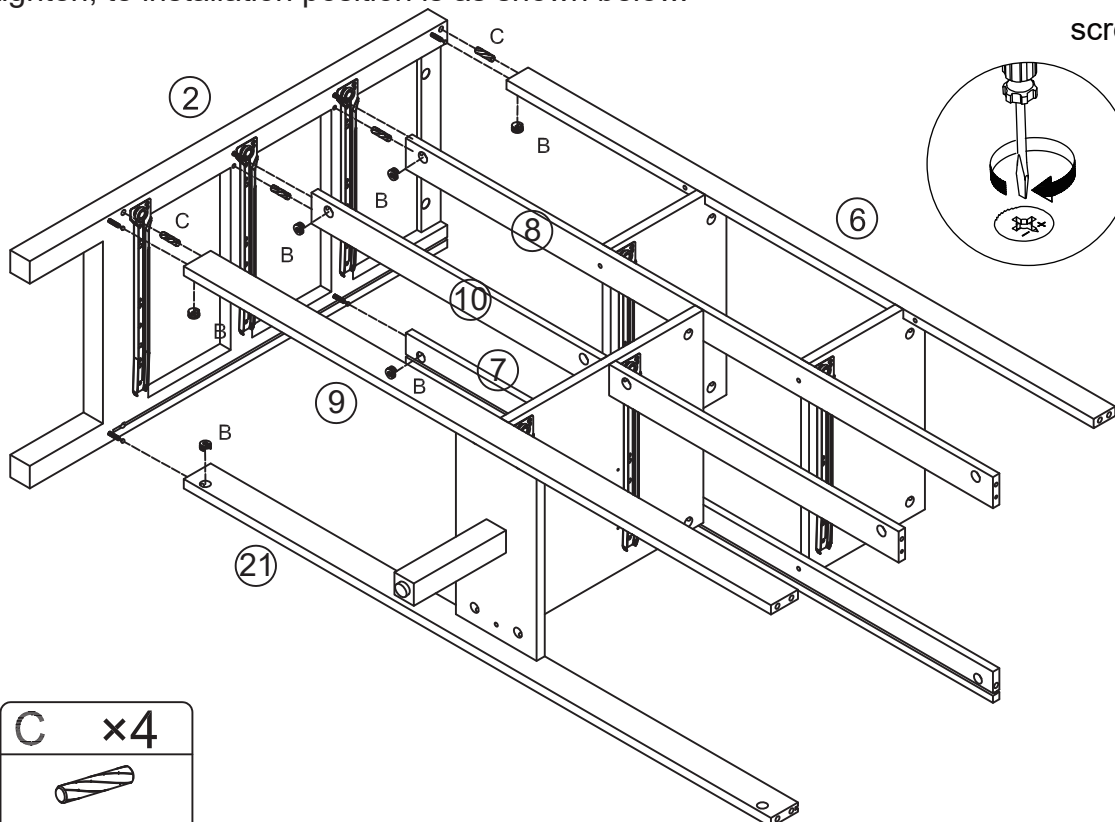
# STEP 6

Insert the dowel C to the corresponding holes in part 5 firstly, then attach assembled part 5 to assembled 11 with screw E, the installation position is as shown below.

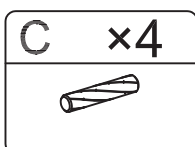
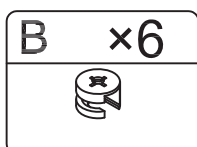
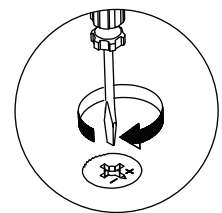


# STEP 7

Insert the dowel C to part 2 firstly, then attach part 2 to part 6 & assembled parts 7 & 8 & 9 & 10 & 21, with cam lock B, insert cam lock B into the corresponding holds and use a screwdriver to turn it clockwise to tighten, the installation position is as shown below.

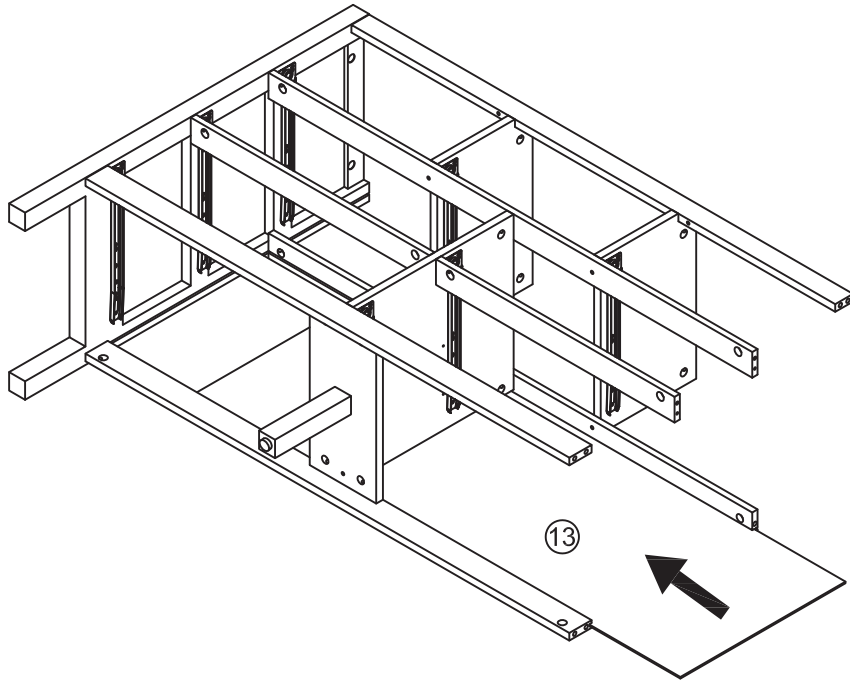


screwdriver



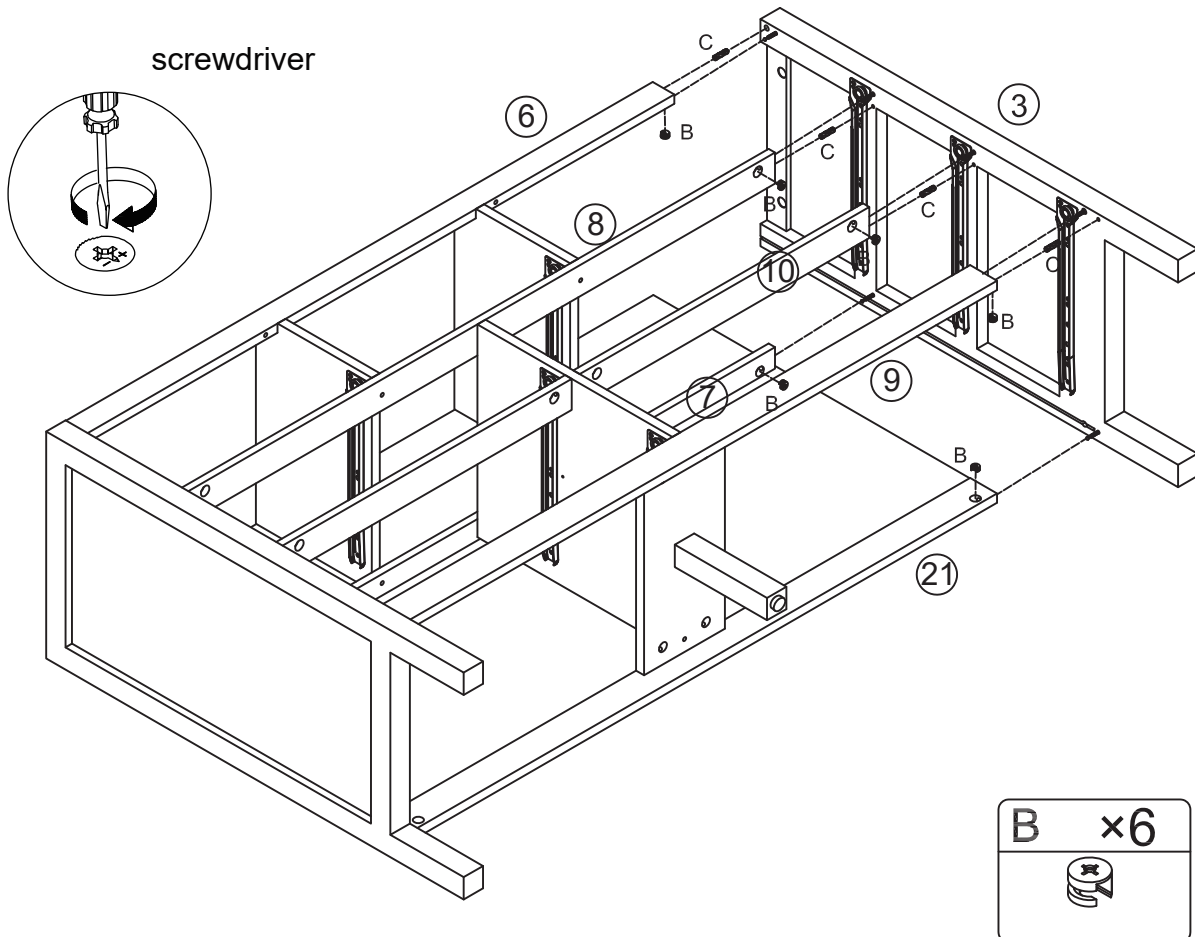
# STEP 8

Insert part 13 along the slot, the position is as shown below.



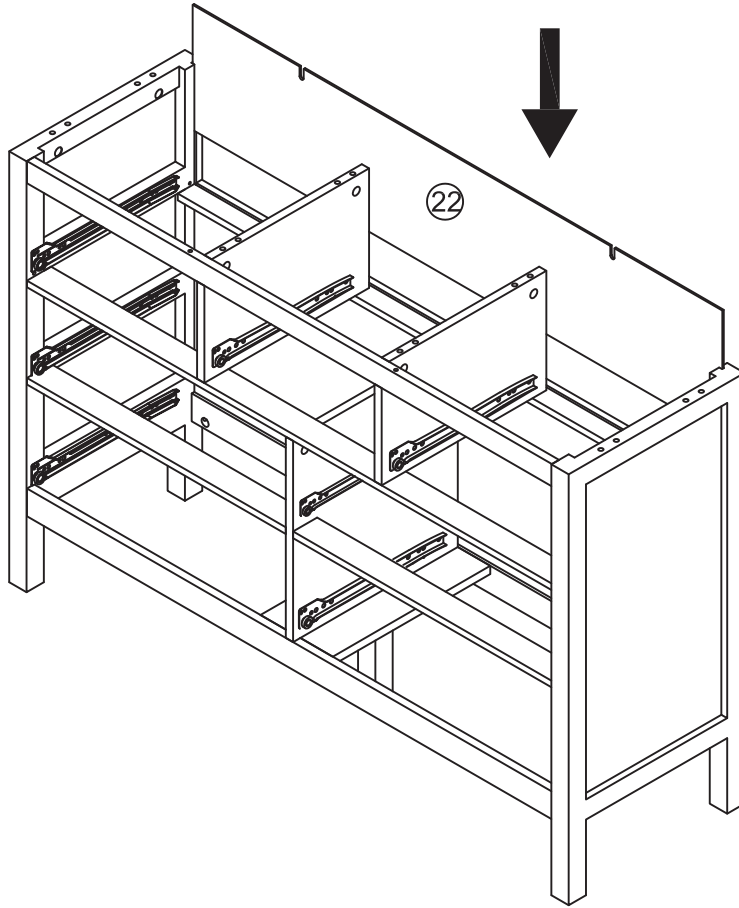
# STEP 9

Insert the dowel C to part 3 firstly, then attach part 3 to assembled part 6 & 7 & 8 & 9 & 10 & 21 with cam lock B, insert cam lock B into the corresponding holds and use a screwdriver to turn it clockwise to tighten, the installation position is as shown below.



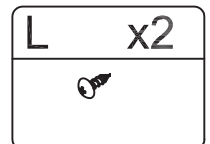
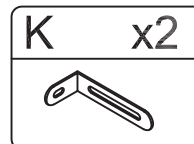
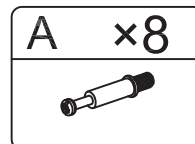
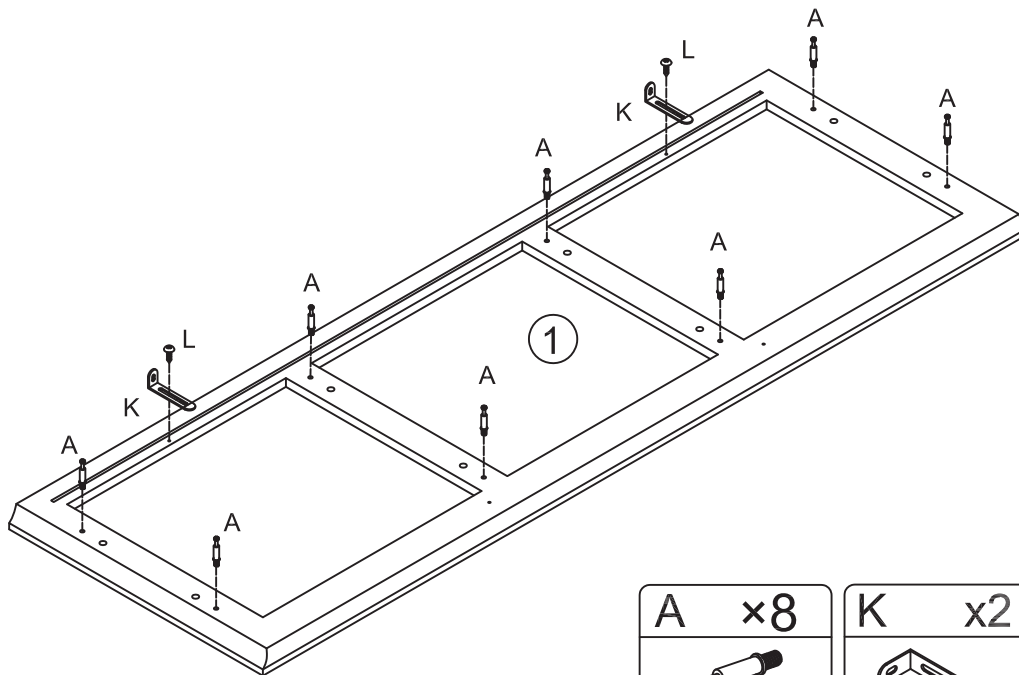
# STEP 10

Insert part 22 along the slot, the position is as shown below.



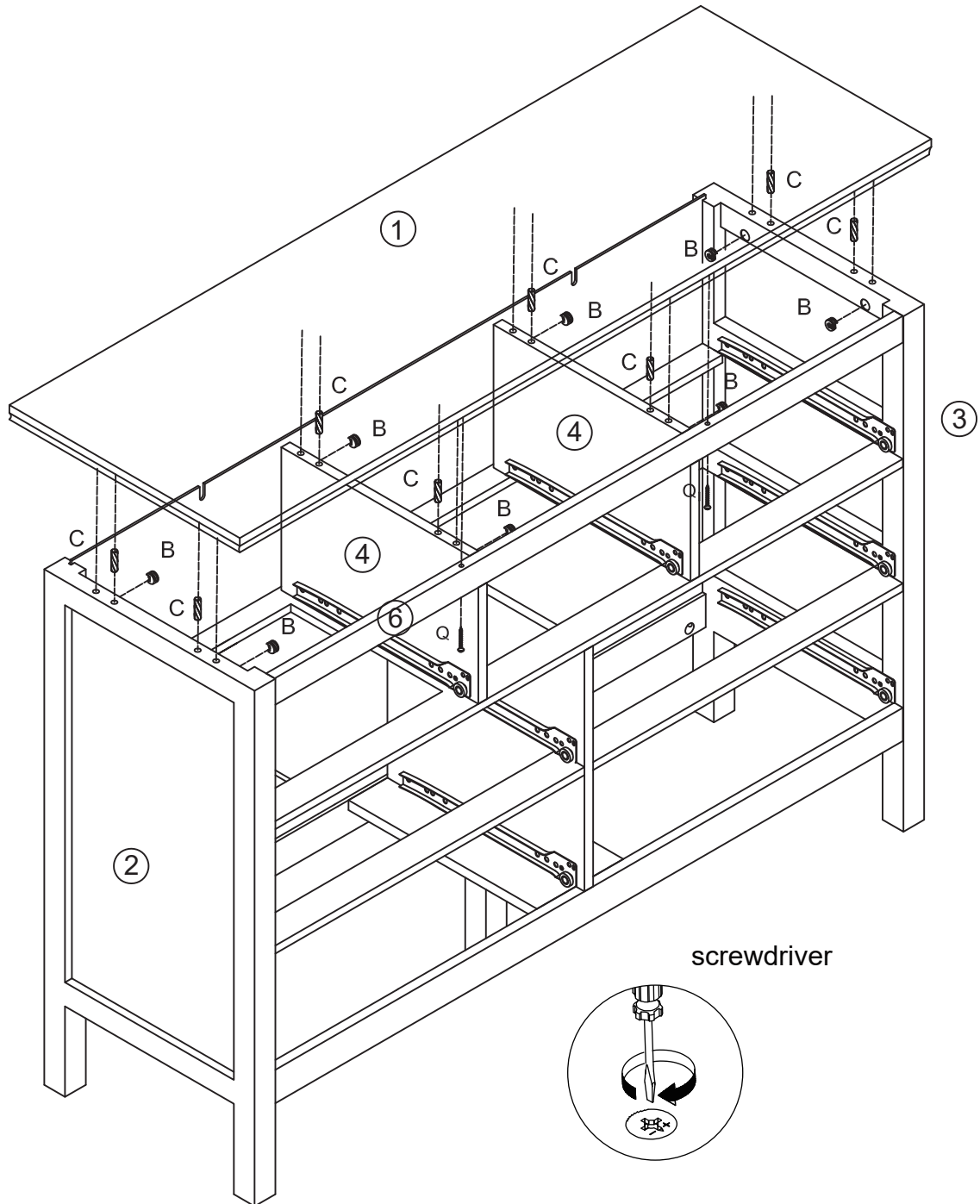
# STEP 11

Install the screw A on the part 1, fasten the L shaped iron piece K with screw L.

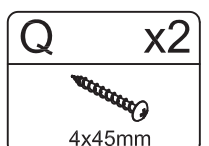
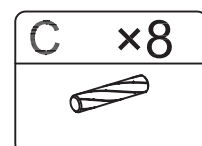
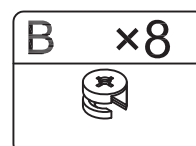


# STEP 12

Insert the dowel C in part 2 & 3 & 4 (x2);  
attach part 1 with assembled parts with cam lock B, insert cam lock B into the corresponding holds and use a screwdriver to turn it clockwise to tighten;  
attached part 1 to part 6 with screw Q;  
the installation position is as shown below.

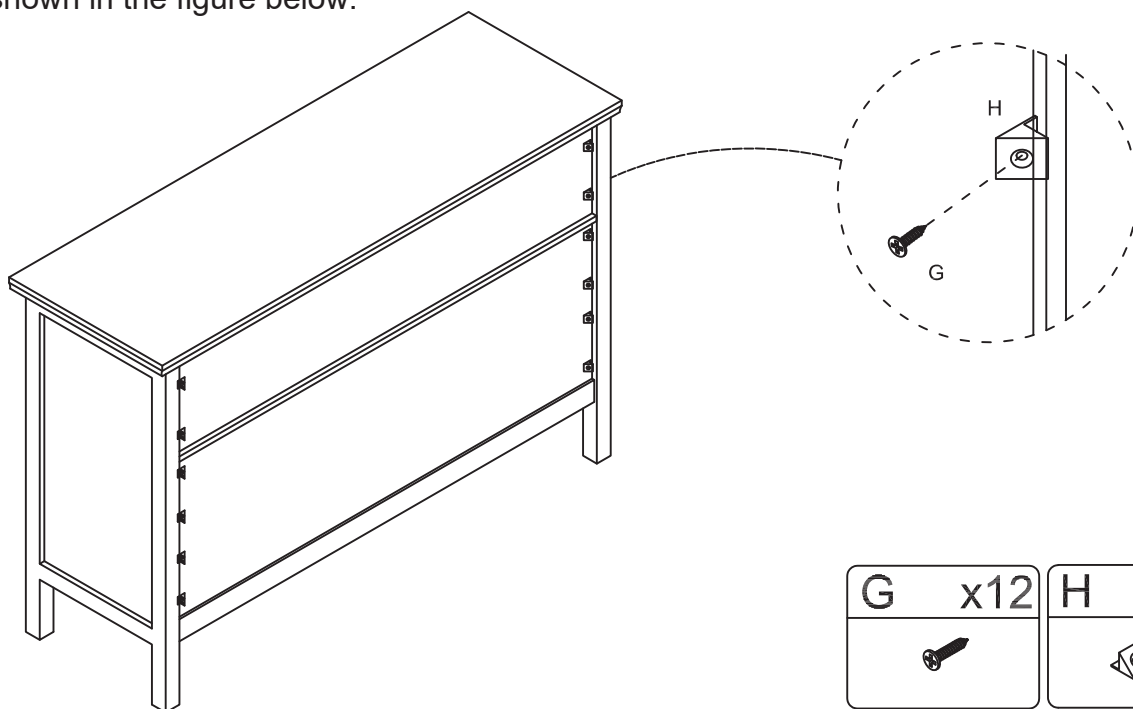


screwdriver



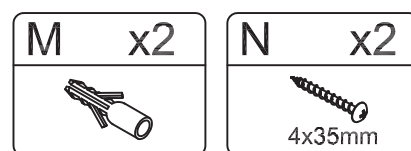
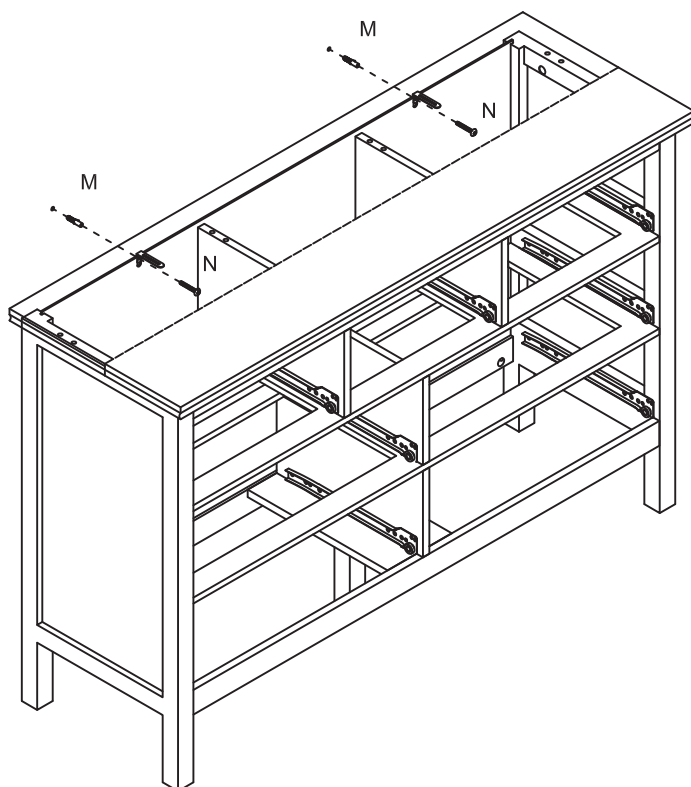
## STEP 13

Use the screws in component G&H to fasten the back plate buckle. The installation position is as shown in the figure below.



## STEP 14

First drill holes on the wall where it is placed, and then use the long screw and expansion screw M to fix the cabinet with screw N. The installation location is as shown in the figure below.

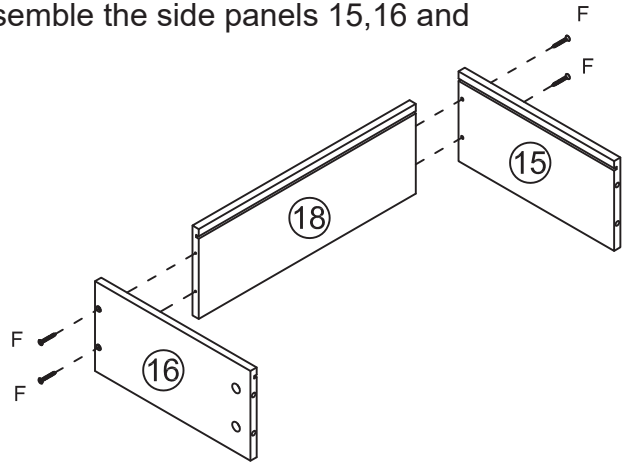
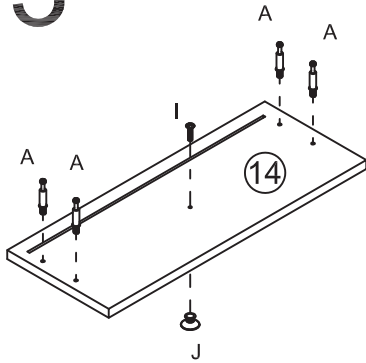


# STEP 15

Install the screw A on the drawer panels 14 firstly, and then use the screw I to lock the handle J on the drawer panels 14.

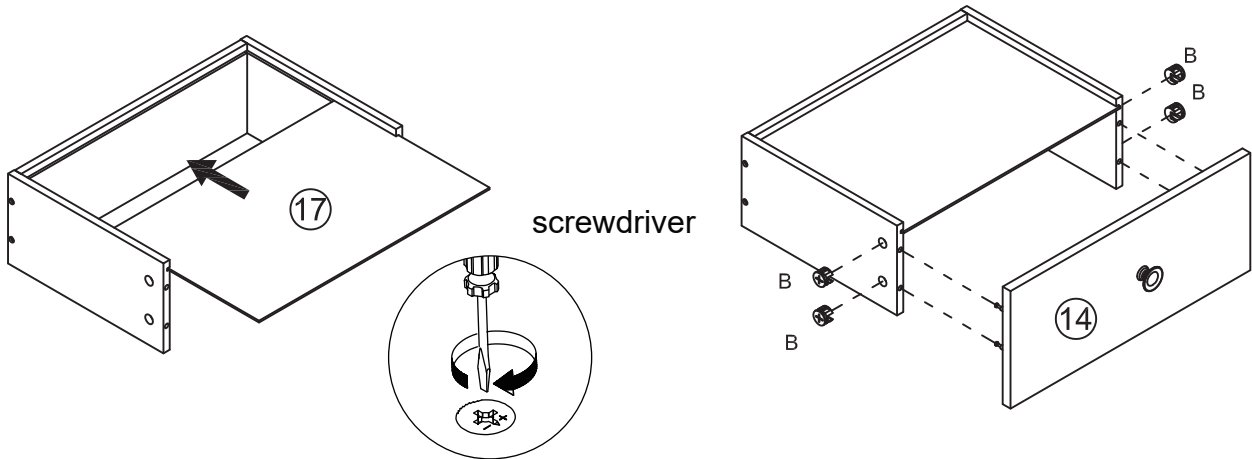
Use the screw F to assemble the side panels 15,16 and the back panel 18.

## x3

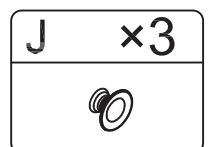
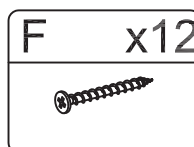
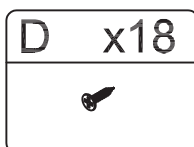
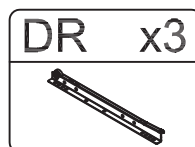
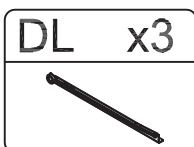
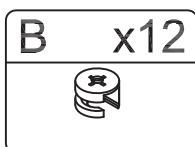
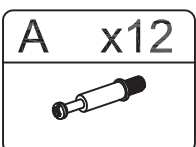
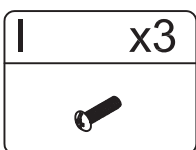
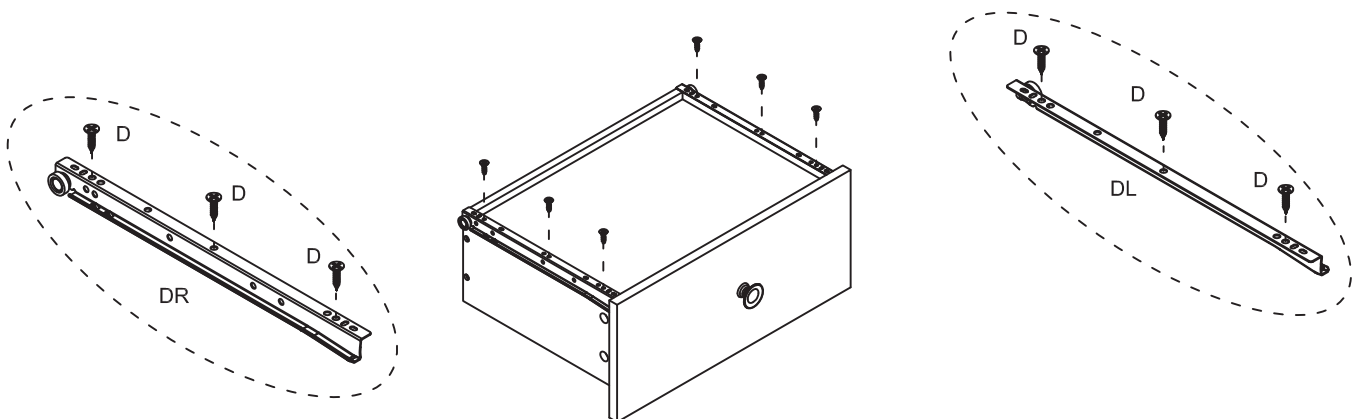


Insert the bottom plate 17 along to the slot of side plate.

Attach front plate 14 to the drawer with cam lock B, insert the cam lock B into the corresponding holes and use a screwdriver to turn clockwise to tighten,



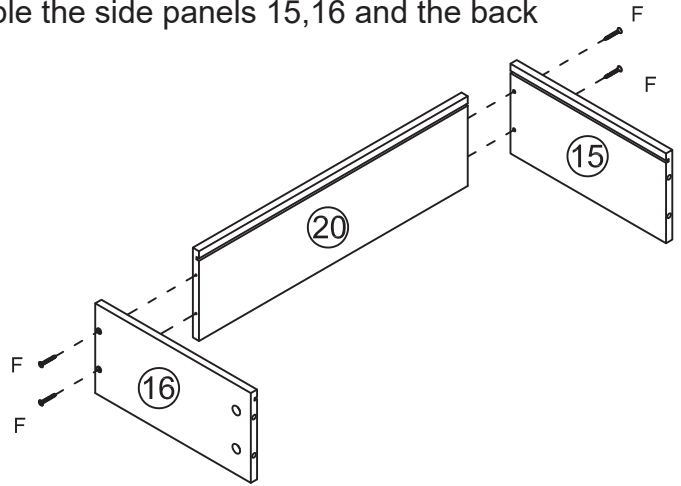
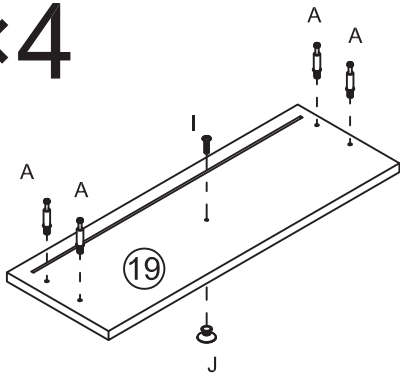
Use the screw D to install the guide rail DR on the side panel 16, and install the guide rail DL on the side panel 15, the installation position is as shown in the figure below.



# STEP 16

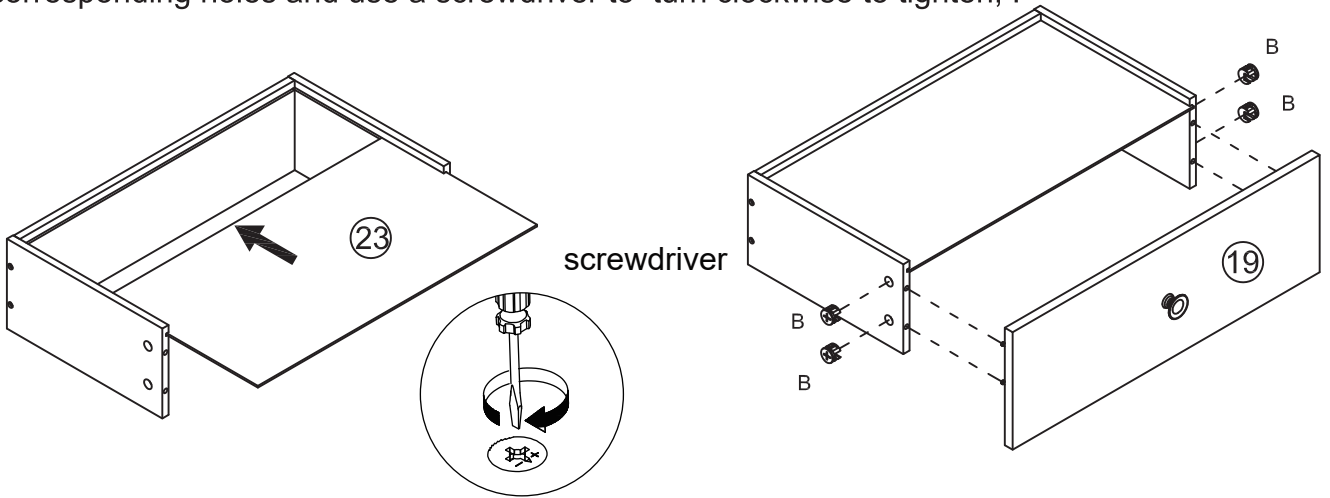
Install the screw A on the drawer panels 19 firstly, and then use the screw I to lock the handle J on the drawer panels 19. Use the screw F to assemble the side panels 15,16 and the back panel 20.

**x4**

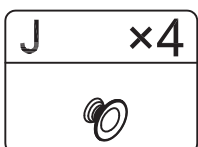
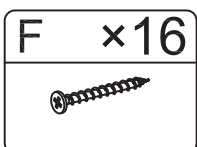
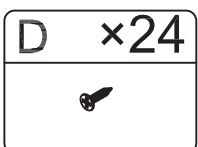
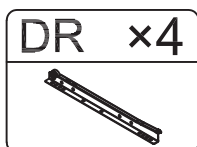
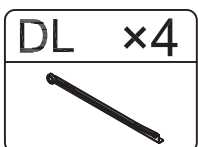
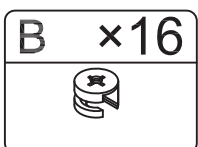
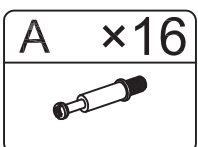
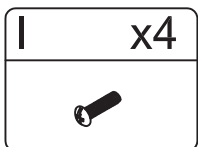
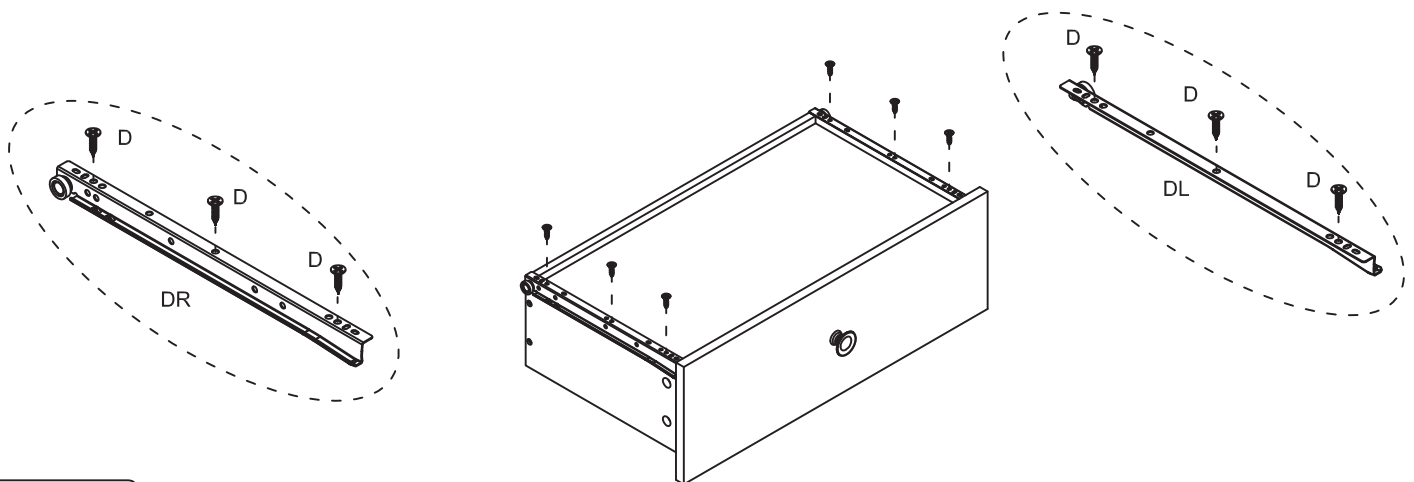


Insert the bottom plate 23 along to the slot of side plate.

Attach front plate 19 to the drawer with cam lock, insert the cam lock B into the corresponding holes and use a screwdriver to turn clockwise to tighten, .



Use the screw D to install the guide rail DR on the side panel 16, and install the guide rail DL on the side panel 15, the installation position is as shown in the figure below.



# STEP 17

Install the No.14 drawer into the top 3 drawer space, and the No.19 drawer into the balance down 4 drawer space, the installation position is as shown in the figure below.

