



# **ASSEMBLY INSTRUCTION**

---

Room Divider

SPQ-01280



## ASSEMBLY INSTRUCTIONS SPQ-01280











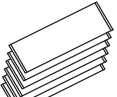


Room Divider

Thanks for choosing our products. Please kindly check parts listed and read this manual carefully, then assemble them step by step. Please feel free to contact us for any question.

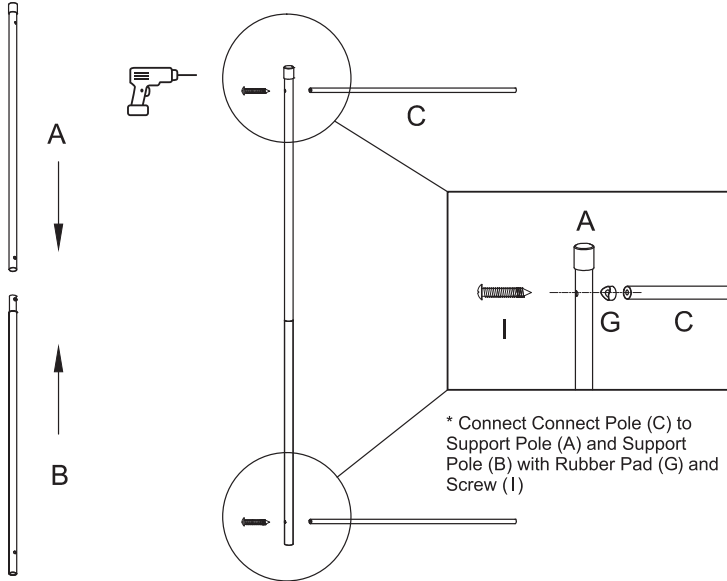
### Attention

1. Check the parts list and check if the parts are completed. If any accessories are missing, please kindly send us messages to let us know the number of missing part regarding to the part list of instructions. We will send replacement to you asap.
2. If there is any damage, please send clear photos about damaged part to us as attachment, we will check and offer you best solution soon.
3. We are concerned about each customer's experience, please feel free to contact us if you have any problems, issues or concerns, we will provide effective solutions.

## Parts List

Parts List							
<b>A</b> X12  Support Pole Φ0.75x35.83"	<b>B</b> X12  Support Pole Φ0.75x35.83"	<b>C</b> X12  Connect Pole Φ 0.51*31.65"	<b>D</b> X12  Support Foot				
<b>E</b> X20  Connector	<b>G</b> X24  Rubber Pad Small	<b>F</b> X12  Rubber Pad Big	<b>H</b> X12  M6*38mm Screw	<b>I</b> X24  5*45mm Screw	<b>N</b> X1  Allen Key	<b>J</b> X6  Fabric	
							

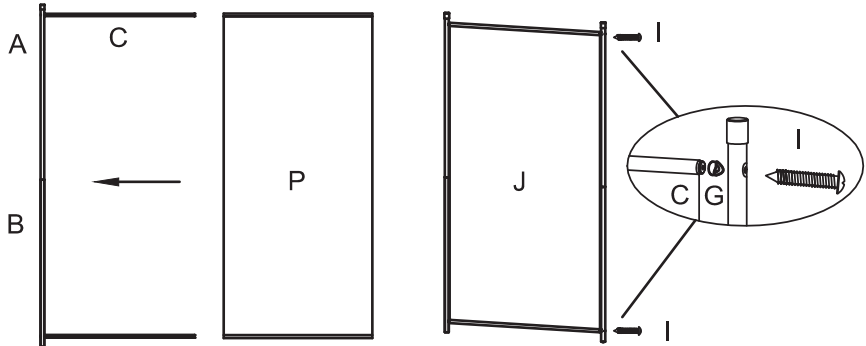
STEP1



\* Connect Support Pole (A)  
to Support Pole (B)

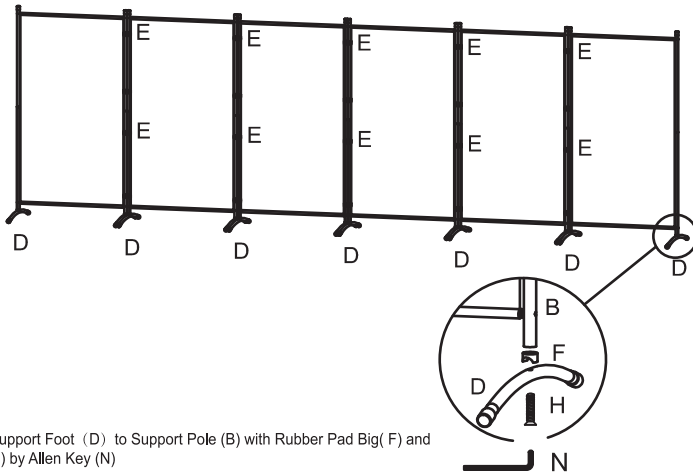
\* Connect Connect Pole (C) to  
Support Pole (A) and Support  
Pole (B) with Rubber Pad (G) and  
Screw (I)

## STEP2



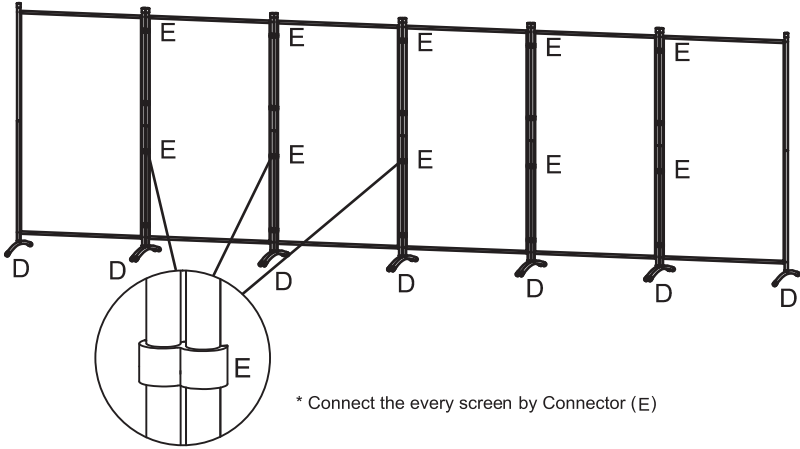
\* Insert the Fabric (J) to Connect Pole (C), then connect Support Pole (A) & (B) to Connect Pole (C) with Rubber Pad (G) and Screw (I)

## STEP3

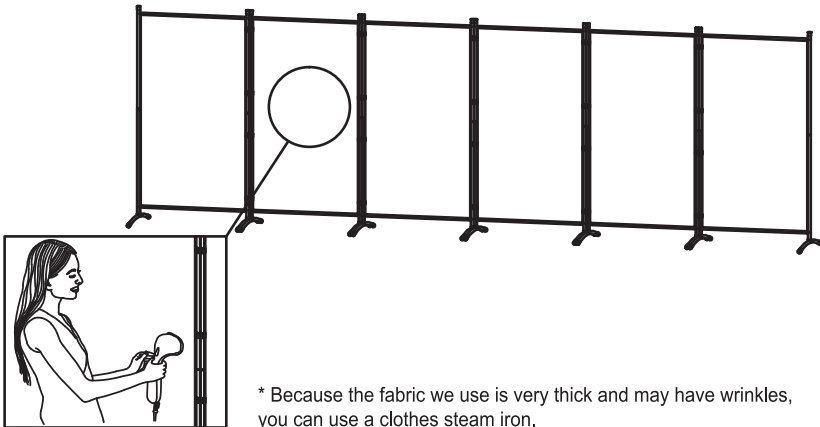


\* Insert Support Foot (D) to Support Pole (B) with Rubber Pad Big (F) and screw (H) by Allen Key (N)

#### STEP4



#### STEP5





If you have any difficulties, please contact us freely at [afterservice\\_pf@163.com](mailto:afterservice_pf@163.com)