

MCombo®



User Manual


Manual Retractable Awning


Newacme LLC




Mcombo.com

 WEBSITE
www.mcombo.com

 Consumer Hotline
1-323-597-1109

 E-MAIL
sales@mcombo.com

 Monday to Friday
9:00AM - 5:00PM (PST)

Newacme LLC, 2808 Vail Ave, Commerce, CA, 90040

Manual Version: 1.3.0

Model : 10X8 FT / 12x10 FT / 13x8 FT

Table of Contents

I. About MCombo	2
II. Safety Guidelines	3
III. Parts Exploded View	4
IV. Parts List	5
V. Assembly the Awning	7
1. Preparation	7
2. Assemble Steps	7
1 Connecting Roller (Round)	7
2 Assemble Blockers and Connecting Front Bar (Triangle)	8
3 Assemble Roller Middle Bracket and Connecting Torsion bar (Square)	9
4 Installation of canopy	10
5 Installing Arm Bar Link	12
6 Assembly of the Final End Cover	13
VI. Installation the Awning	13
1. Installation Location Description	14
2. Measuring and Drilling	14
1 Mounting Height	14
2 Adjusting Degrees	15
3. Install Wall Brackets	15
VII. Q&A	17
VIII. Warranty Disclaimer	18
VIII. Return/Replacement Policy	18

I. About MCombo



MCombo®, with the mission of "bringing more convenience to family and travel life", the vision of "becoming the first choice and trusted brand of customers in outdoor series", and the core value of "providing high-quality and high-standard outdoor products", awakens people pay attention to the outdoor garden life itself, extend the time to play with family and partners in the outdoor garden, and enjoy a healthier and more comfortable life.

This user manual is **for retractable awnings of 10x8ft, 12x10ft, 13x8ft**. **MCombo**® reserves the right to change, update any content contained herein without prior notice

Please read, understand, and follow this user manual before assembling and using the awning. Save this manual for future reference. It's the responsibility of the user for potential risks of injuries due to inappropriate use not obeying safety instructions in this manual.

II. Safety Guidelines

WARNING

For your own safety, please strictly follow the instructions in this manual, otherwise personal injury may result!

Before you proceed, please read the following safety precautions:

⚠ Due to the strong elasticity of the umbrella arms, please tie the umbrella arms together when assembling the umbrella arms. Do not stand facing the front of the awning when cutting the strap between the arms. Hold on tight and slowly stretch until fully open.

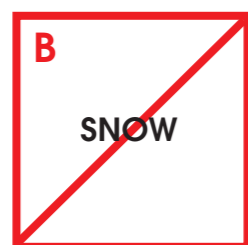
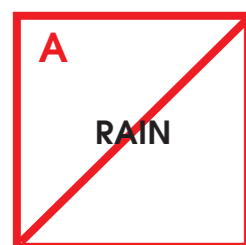
⚠ The product is bulky and heavy, requiring two adults to carry and install it. Please use all screws and nuts correctly during installation, it is very dangerous if loosened.

⚠ Do not place, hang or stand objects or people on the awning. Doing so may damage the awning or cause serious personal injury, even death in extreme cases.

⚠ Do not install it in a high place, a windy place, a place with vibration or impulse, and a high-temperature place such as a wall near the furnace.

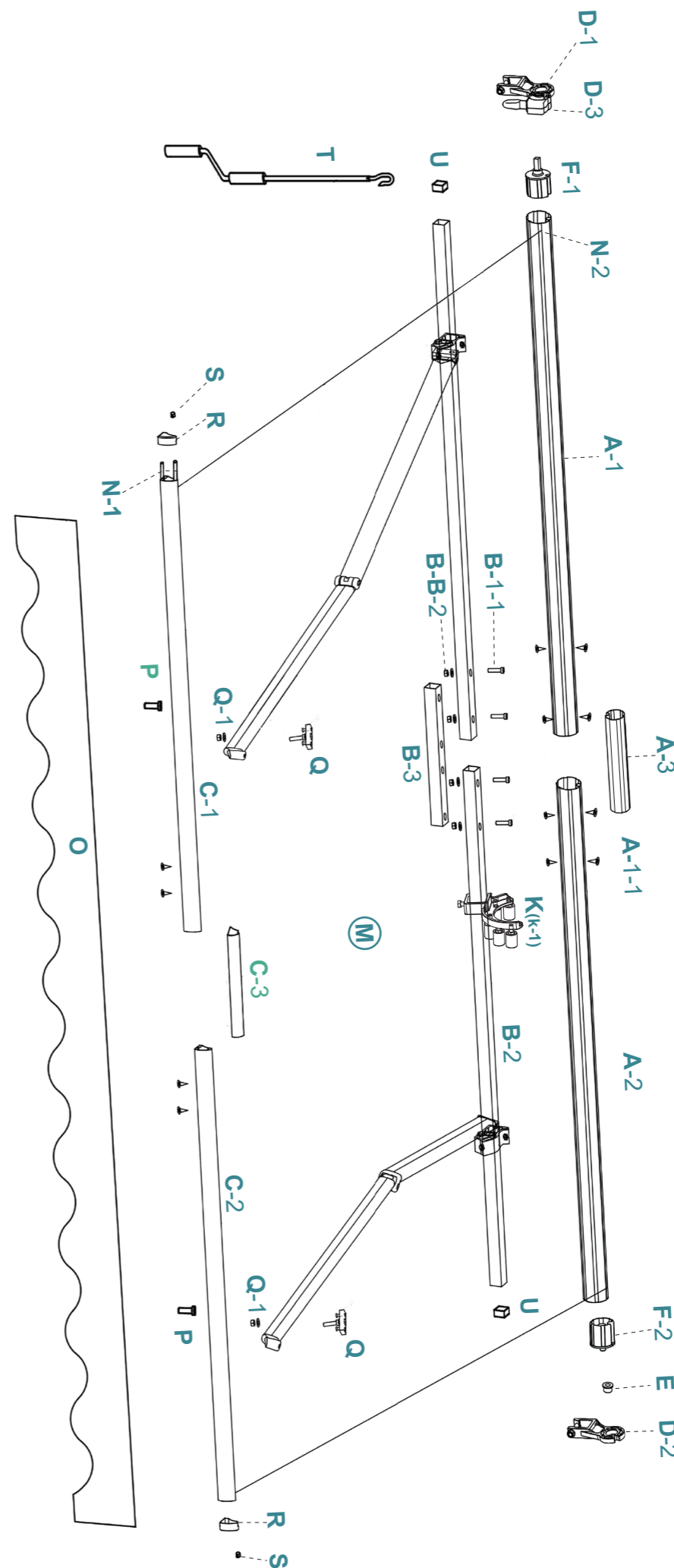
⚠ Never use it for any purpose other than that suggested. Be careful with your fingers when installing.

⚠ Do not open the awning under the following circumstances:



- The MCombo® awning should only be operated by an adult that understands all the functions and operations of the awning. Please keep unsupervised children away from playing with the awning or its parts.
- The product should be used only as described in this MCombo® awning manual. Do not carry out any maintenance other than what is shown in this manual. For any issues that are not covered in this manual, please seek support from MCombo Customer Service.

III. Parts Exploded View



IV. Parts List

Roller

A-1		1PC Roller(left)
A-2		1PC Roller(right)
A-3		1PC Roller Connector
A-A-1		12PCS Screws M4 x 15mm
D-1 D-3		1PC Left Roller Support 1PC Hand Crank Rotation Ring
F-1		1PC Left Round Shaft
D-2		1PC Right Roller Support
E		1PC Round Shaft Cover
F-2		1PC Right Round Shaft
T		1PC Hand Crank

Torsion Bar

B-1 L-1		1PC Torsion Bar with Arm (left)
B-2 L-2		1PC Torsion Bar with Arm (right)
B-3		1PC Torsion Bar Connector
B-B-1		4PCS Screws M4 x 16
B-B-2		4PCS Screws M6x45+ Nut M6+Washer Ø6
K		1PC Roller Middle Bracket Shelf
K-1		5PCS Roller Middle Bracket Wheels
U		2PCS Plastic Cover of Torsion Bar
H		4PCS 10x8 FT 6PCS 12x10 FT 6PCS 13x8 FT
G		2PCS 10x8 FT 3PCS 12x10 FT 3PCS 13x8 FT
G-1		Bolt M8x60 + Nut M8 + Washer Ø6/Ø8 2PCS 10x8 FT 3PCS 12x10 FT 3PCS 13x8 FT
W		4PCS 10x8 FT 6PCS 12x10 FT 6PCS 13x8 FT

Front Bar

C-1		1PC Front Bar(left)
C-2		1PC Front Bar(right)
C-3		1PC Front Bar Connector
P		2PCS Blocker
Q		2PCS Arm Link
Q-1		2PCS Nut M10+Washer Ø10
S		4PC Screw M8 x 20 for Front Bar Cover
R		2PCS Plastic Cover of Front Bar

Fabric

M		1PC Fabric
O		1PC Valance
N-1		2PC Fabric Guiding Wire (Thick)
N-2		1PC Fabric Guiding Wire (Thin)

(Optional) Install Tools						
	Allen Wrench	Spanner	Socket Spanner	Scissors	Phillips Tip Screwdriver	Rubber Hammer

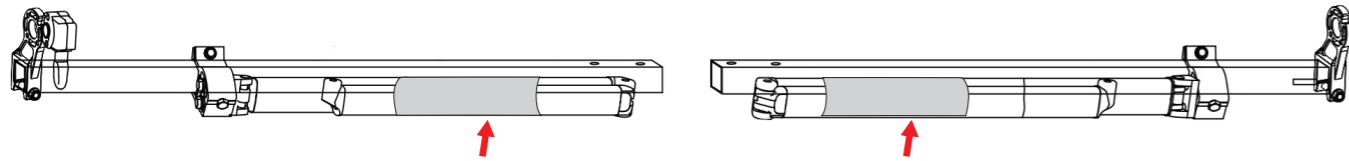
V. Assembly Steps

1. Preparation

1/1 Before you start, it is better to list all the necessary tools to make the installation process smoother. For a list of necessary tools, please refer to the Tool Requirements section.

WARNING !

Do not remove the safety wrapping that holds the awning arms in place. Premature removal of the protective tape may cause the curved arm to pop open and cause serious injury.



1/2 Open the awning box, carefully take out each part and remove the protective film on the parts.

1/3 Check the condition and quantity of all parts (including screws) according to the parts list. Please refer to the parts list and product explosion diagram for more information about the parts.

2. Assemble the Awning

1 Connecting Roller (Round)

1/1 Place the two round Rollers #A-1 and #A-2 on the same horizontal line, with the side of the two round Rollers with holes facing inward.



1/2 Connect the left and right rollers with the Roller Connector #A-3 and fix them with four Screws #A-A-1 as shown in the figure below.

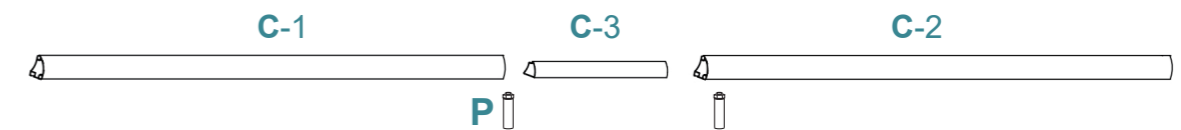


1/3 After the four Screws #A-A-1 are tightened and fixed, you have a complete long round Roller, as shown in the picture.

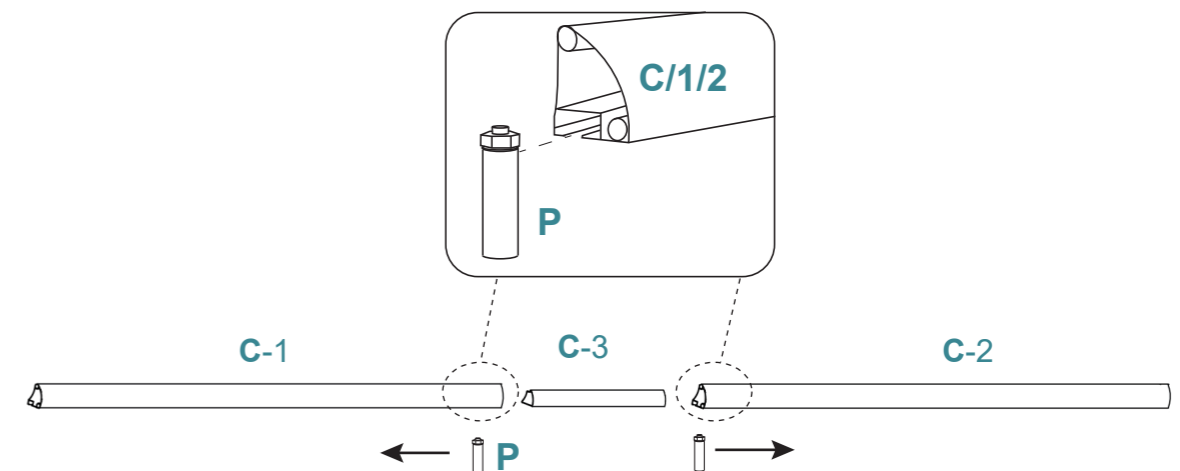


2 Assemble Blockers and Connecting Front Bar (Triangle)

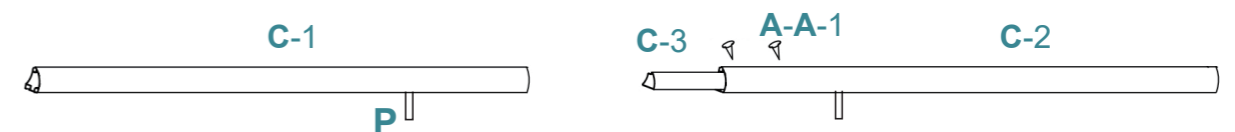
2/1 Place the two Front Bars #C-1 & #C-2, Front Bar Connector #C-3 and Blocker #P. keep #C-1 & #C-2 on the same horizontal line, with the hole position facing inward.



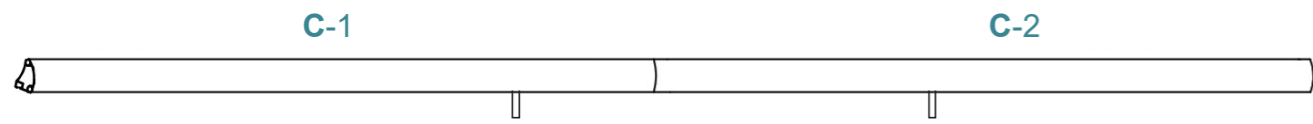
2/2 Insert the Blockers #P from each of the two front bars ends with holes and move it to the middle of the front bar.



2/3 Connect the left and right Front Bars #C-1 & #C-2 with the Connecting Front Bar #C-3 and fix them with four screws #A-A-1.

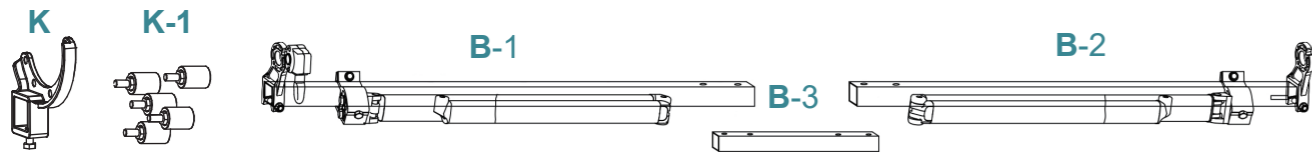


2/4 After the four screws are tightened and fixed, you have a complete long triangular tube, as shown in the picture.

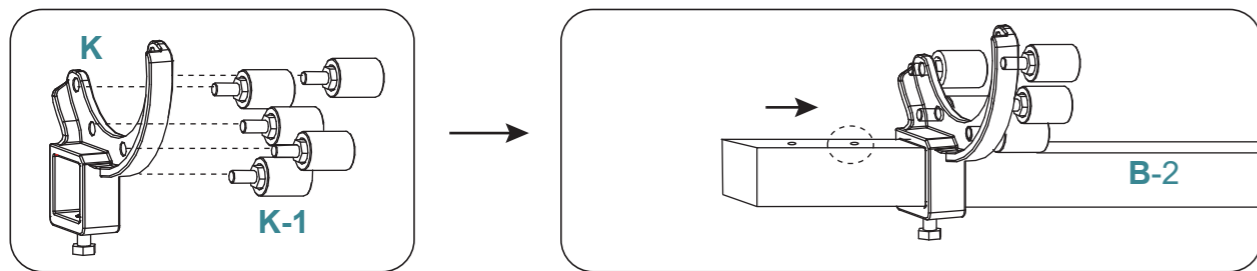


3 Assemble Roller Middle Bracket and Connecting Torsion bar (Square)

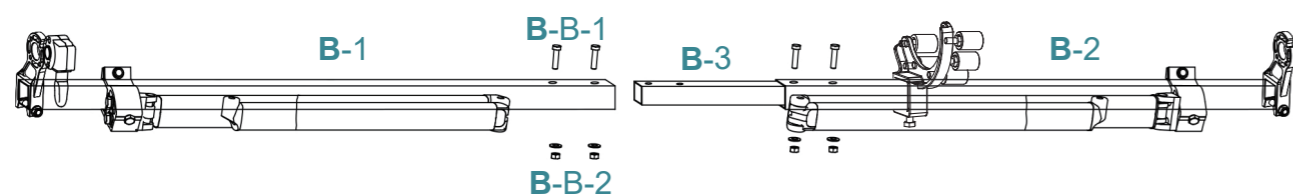
3/1 Place the two Torsion Bars #B-1 & #B-2, Connector #B-3, Roller Middle Bracket #K&#K-1. keep #B-1 & #B-2 on the same horizontal line, with the hole position facing inward.



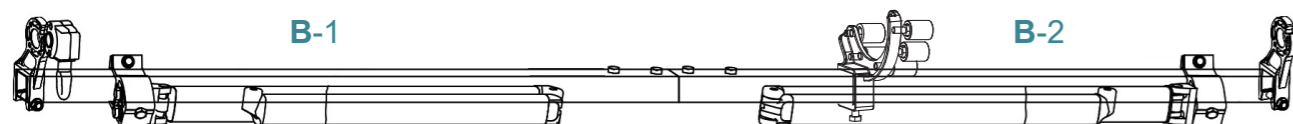
3/2 Assemble the Roller Middle Bracket #K and #K-1 (directly embedded). Insert the assembled roller middle bracket from any side of the square torsion bar with holes, with the curved side facing outward, as shown in the figure below.



3/3 Connect the left and right square Torsion Bars #B-1 & #B-2 with the connecting square Torsion Bar #B-3, and fix them with four Screws #B-B-1 after the holes are aligned, as shown in the figure below.

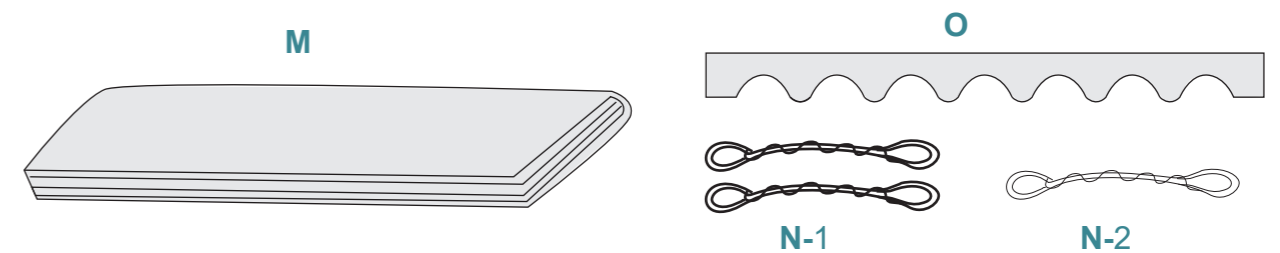


3/4 After the four screws are tightened and fixed, you have a complete square torsion bar, as shown in the picture.

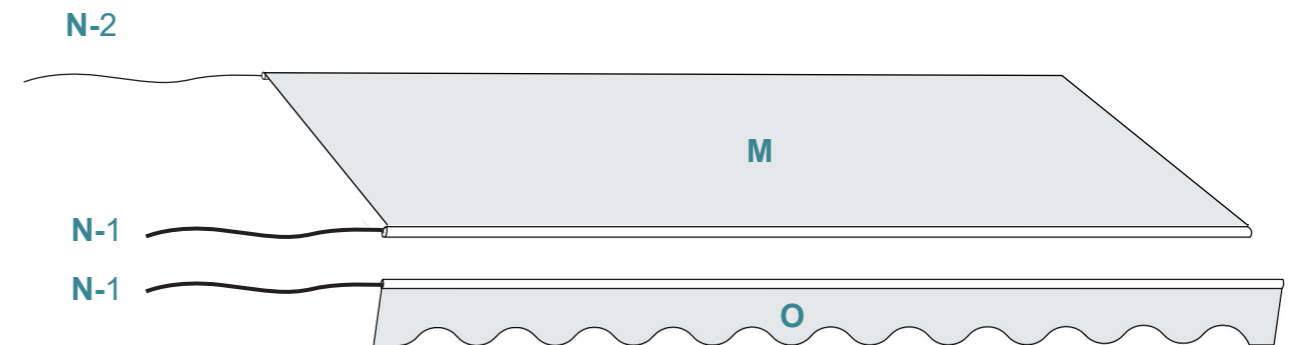


4 Installation of canopy

4/1 Unpack the plastic packaging of the cloth and unfold the cloth inside to check the condition of the item. Contains one large Fabric #M, one Valance #O, and three Liners #N, two thick and one thin.



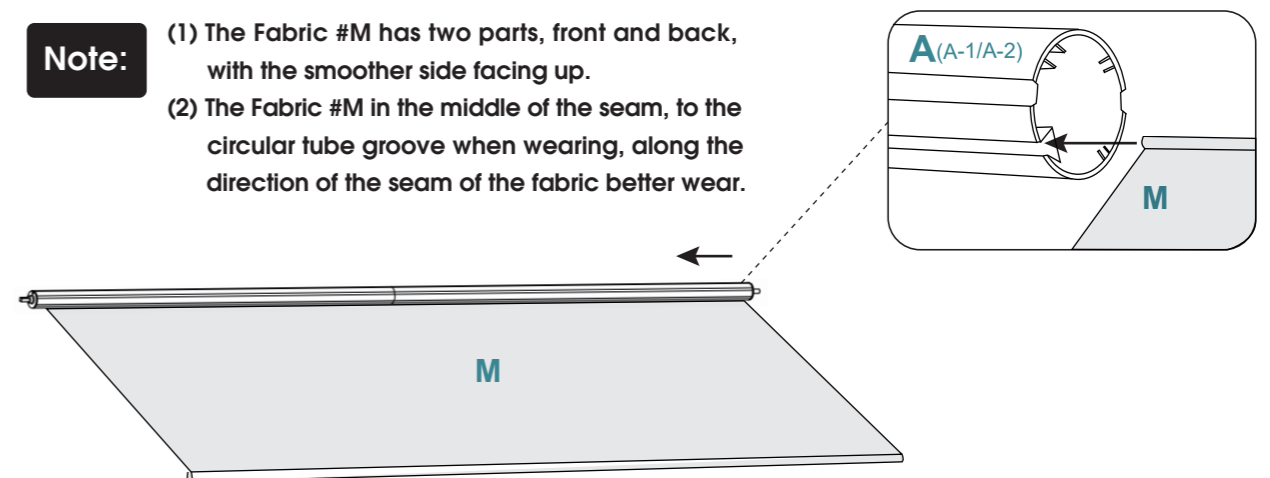
4/2 Thread one Thick and one Thin Guiding Wire #N-1 & #N-2 thread through both ends of the large Fabric #M. And thread another Thick Guiding Wire #N-1 through the Valance #O. This can be a slow process and it is recommended that a minimum of two people be threaded together..



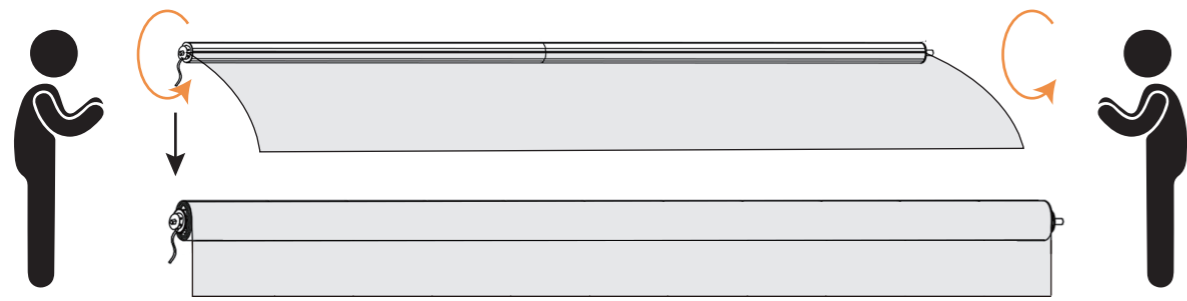
4/3 Pass the side of the large Fabric #M which wearing the Thin Guiding Wire #N-2 through the slot of the long round roller.

Note:

- (1) The Fabric #M has two parts, front and back, with the smoother side facing up.
- (2) The Fabric #M in the middle of the seam, to the circular tube groove when wearing, along the direction of the seam of the fabric better wear.

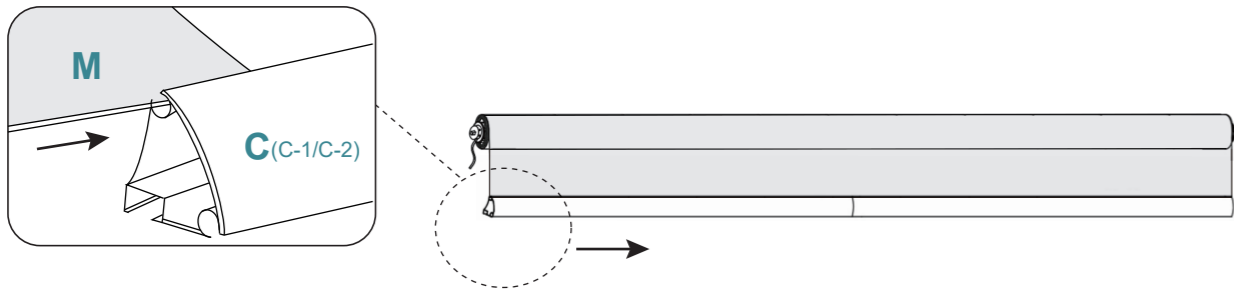


4/4 One person on each side picks up the round tube and rotates the round roller counterclockwise so that the fabric is evenly wound around the round tube.

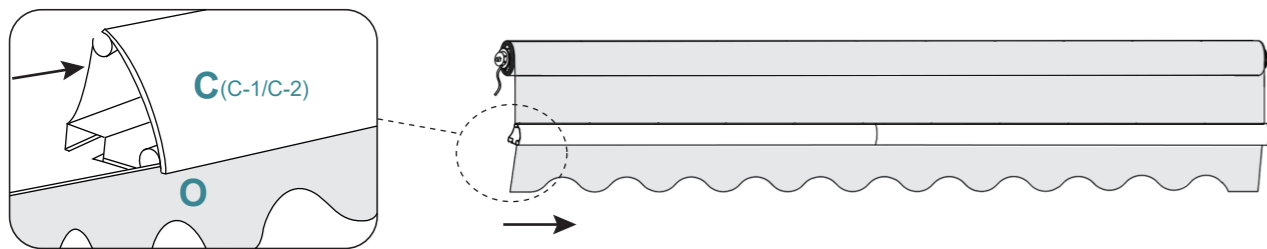


Note: Please roll the cloth evenly so that it overlaps perfectly.

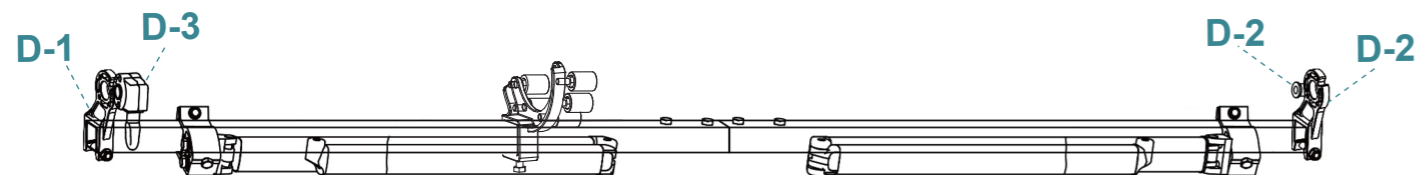
4/5 With the curved side of the Torsion Bar facing up, thread the circular notch on the Front Bar through the other side of the Fabric **#M** (the one with the Thick Guiding Wire **#N-1** thread).



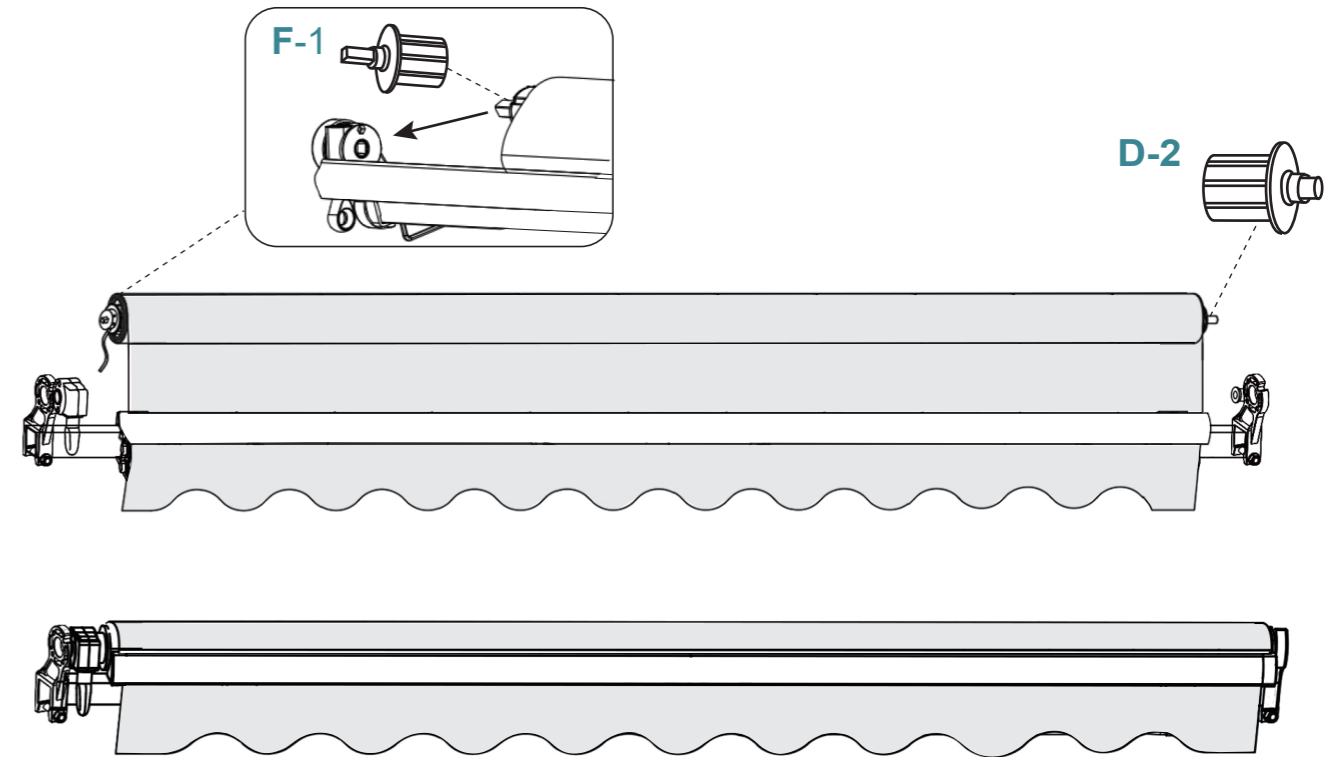
4/6 Thread the Valance **#O** with Thick Guiding Wire **#N-1** through the other slot of the triangular tube.



4/7 Fix the rolled round cylinder and the two ends of the square tube together. Please pay attention to keep the left and right direction of the square tube correct

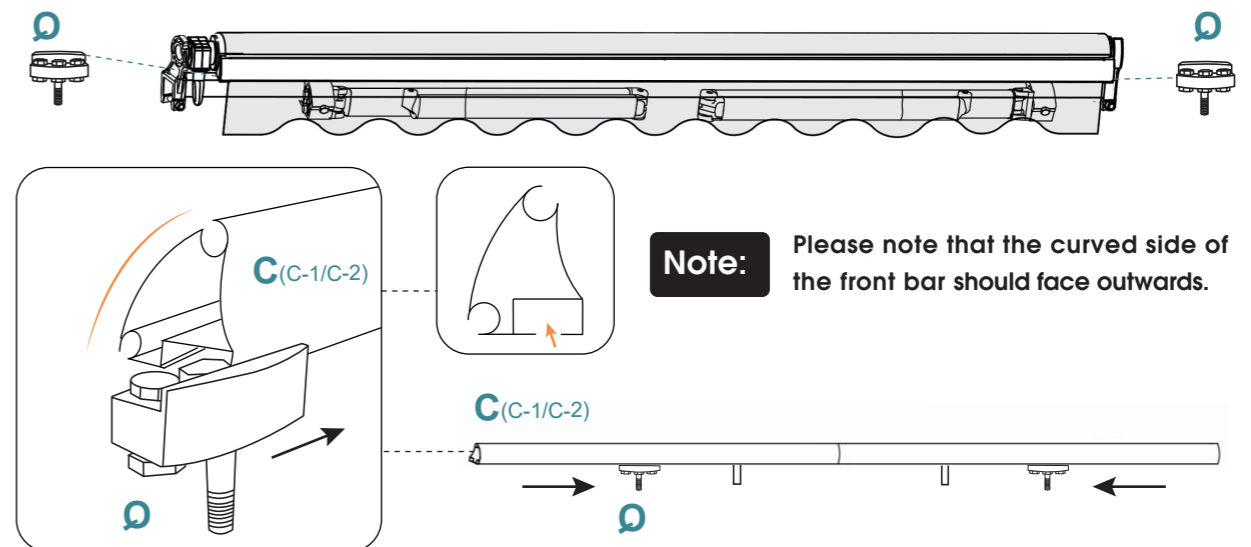


4/8 The left part **#D-1**, **#D-3** and the right part **#D-2**, **#E** have been pre-installed on the Torsion Bars. You only need to connect the left round shaft **#F-1** and the right roller support **#D-2** to each end of the cylinder.

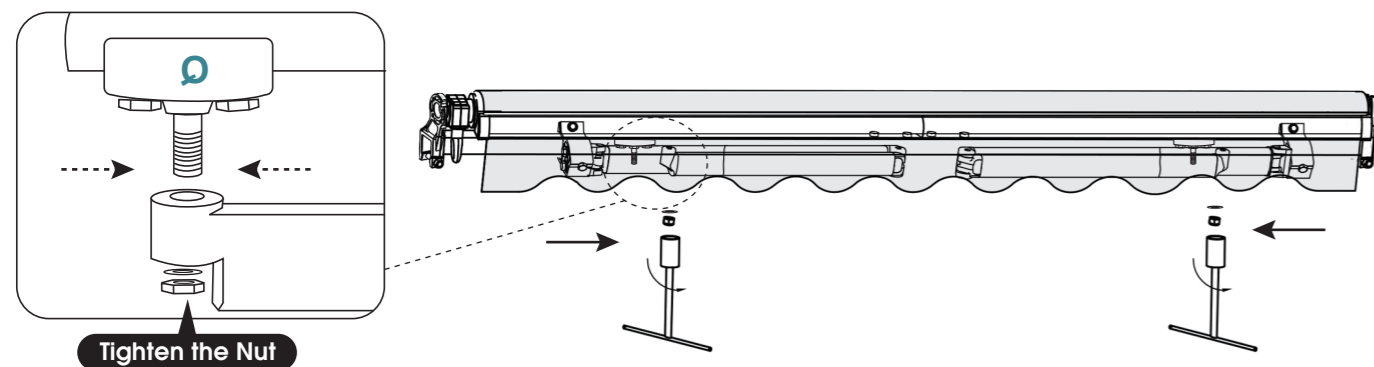


5 Installing Arm Bar Link

5/1 Slide the Arm link **#Q** into each end of the front bar lever. Keep the short screws on both sides and the long screws in the middle at the same level, and just slide the three screw heads into the grooves. If it is not good to slide in, you can loosen the two short screws a little.

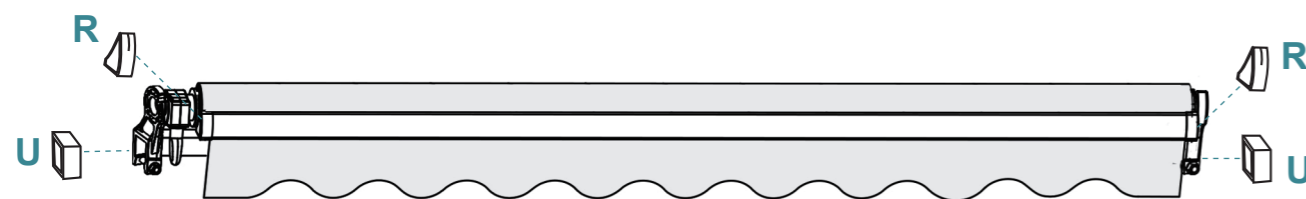


- 5/2 Move the Arm Bar Link #Q on both sides until it is connected to the hole on the arm. Use a wrench with a pipe to tighten the nut of the Arm Bar Link #Q.



6 Assembly of the Final End Cover

- 6/1 Insert the Plastic Cover of Torsion Bar #U into the end of the Torsion Bar #B-1, #B-2 respectively. It can be tapped with a mallet to streng then the fixation. Cut excess Fabric Guiding Wire #N-1 and insert the Plastic Cover of Front Bar #R into the end of the Front Bar #C-1, #C-2 respectively, secure the Plastic Cover #R of the Front Bar with the Screw #S using a Phillips screw driver.



Note: If you find that the fabric wrapping is not uniform, or the two arms can not be opened at the same time, check the stability of the two arms.

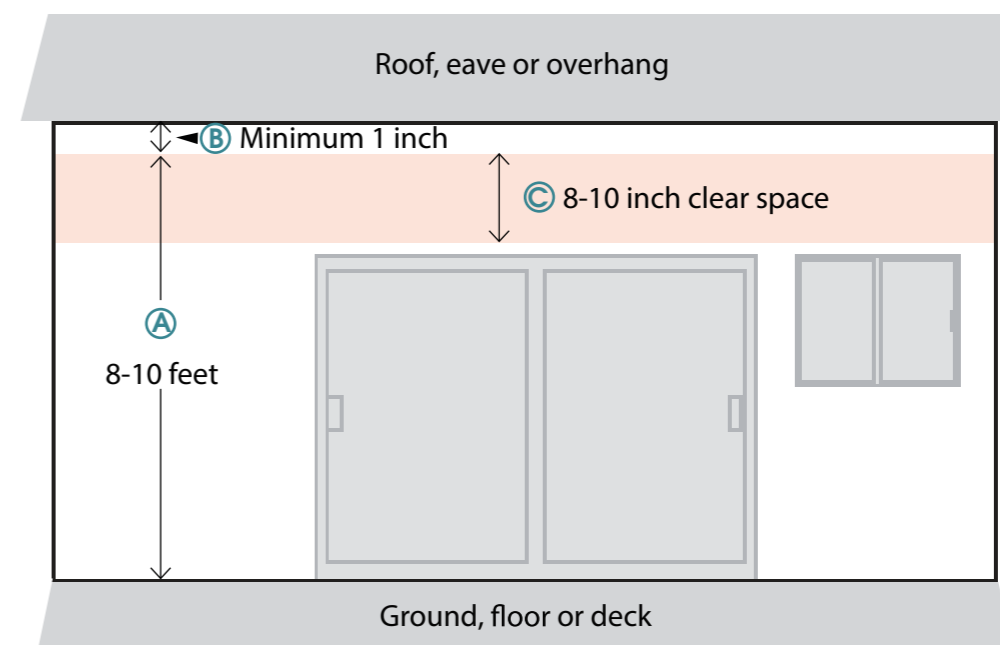
Solution: Adjust the position of the Arm Bar Link #Q. If necessary, turn the Torsion Bar outward.

VI. Installation the Awning

1. Assembly of the Final End Cover

Determine where to install your Awning?

Reference Location:



- A 8-10 feet above the ground/loor/deck. B At least 1 inch clearance below the roof / eave / overhang.
C With at least 8-10 vertical inch of clear space.
The surface should be free and clear of any obstructions along the entirety of the awning.

2. Installation Location Description

1 Mounting Height

- It is important to take the awning's drop area into consideration before bolting your wall mounts.
- If you would like to mount above a patio door, for example, please leave at least 8 inches above the door frame and be sure that the awning does not nterfere with opening and closing the door.
- The drop angle can only be changed minimally, so take this into consider ation when deciding where to place your awning.

Recommended Installation Height: 8-12 feet.

When fully extended, the awning has a drop of 10 degrees.

The factory has already set the angle of the awning when fully extended to 80 degrees.

Mounting Height

You can use the following formula to calculate the appropriate height of the wall brackets.

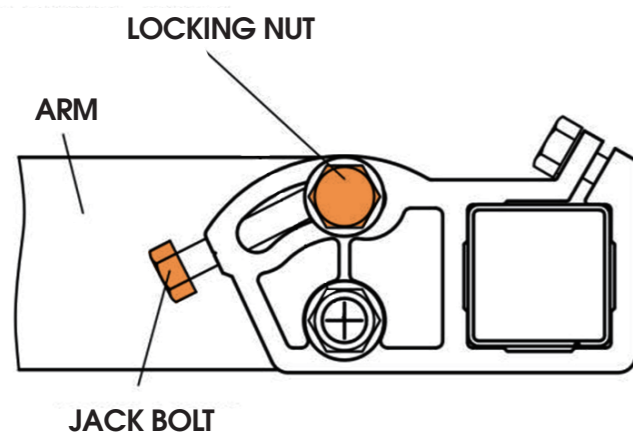
$$C = A + 0.17 * L$$

- A = The desired height of the front bar
L = The length of the arm stretched out
C = The height of the wall brackets

2 Adjusting Degrees

If you want to adjust the inclination angle of the awning, considering the gravity factor in the air, you need to complete the adjustment work on the ground. The adjustment method is as follows:

- Loosen the Locking Nut (remember not to loosen the lower ones).
- Stand one person on each side of the awning, and slowly loosen the Jack Bolt.
- Adjust the angle to tighten the Nut.



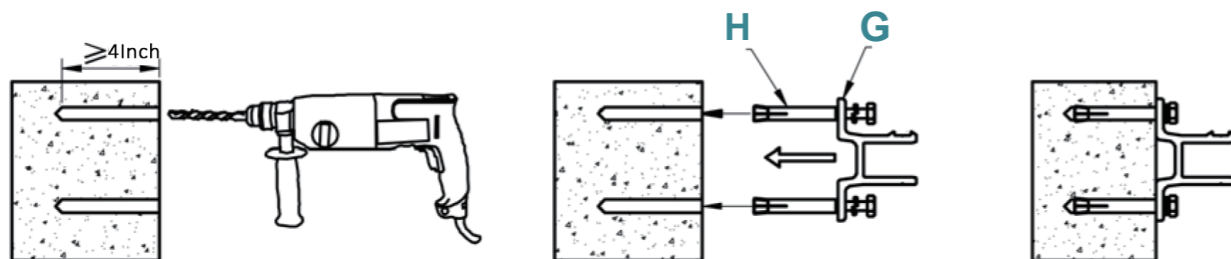
Note:

- (1) The screwing angles on both sides should be uniform, otherwise it will cause the awning to tilt left or right.
- (2) The twisting force should be light, otherwise the crank arm will sag due to gravity.

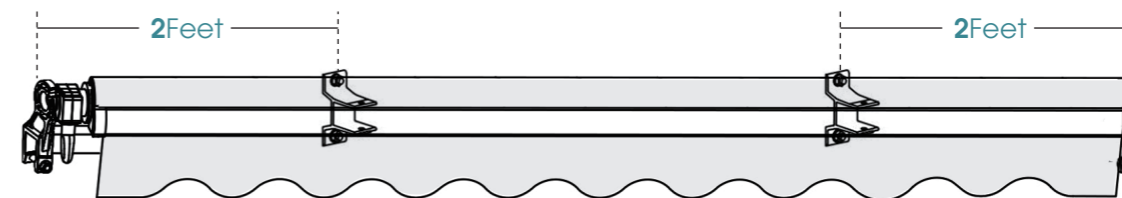
3. Install Wall Brackets

● Installing the brackets:

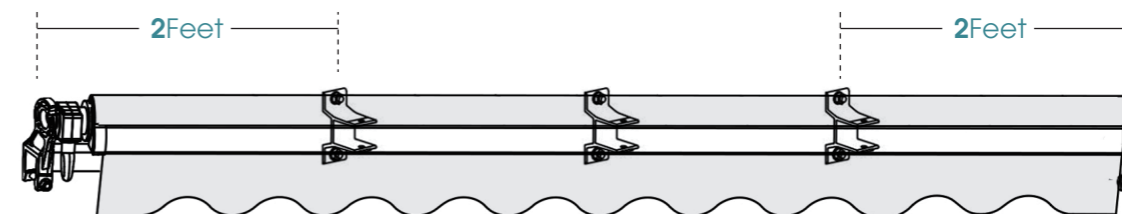
- Carefully measure and mark the location of the wall brackets to be drilled. You can refer to the following distances:
- Drill holes in the wall with a **0.55 inches** diameter drill bit, please pay attention to the deep of hole that should not be less than **4 inches**.



- Making the expansion bolt through the bracket (keep the barbed side up), hitting the expansion bolt into the hole with tighten by wrench.
- Install the awning on the wall brackets according to "Installation distances between wall brackets" above, put the original bolts on the wall brackets and tighten them. Finally fasten all expansion bolts.

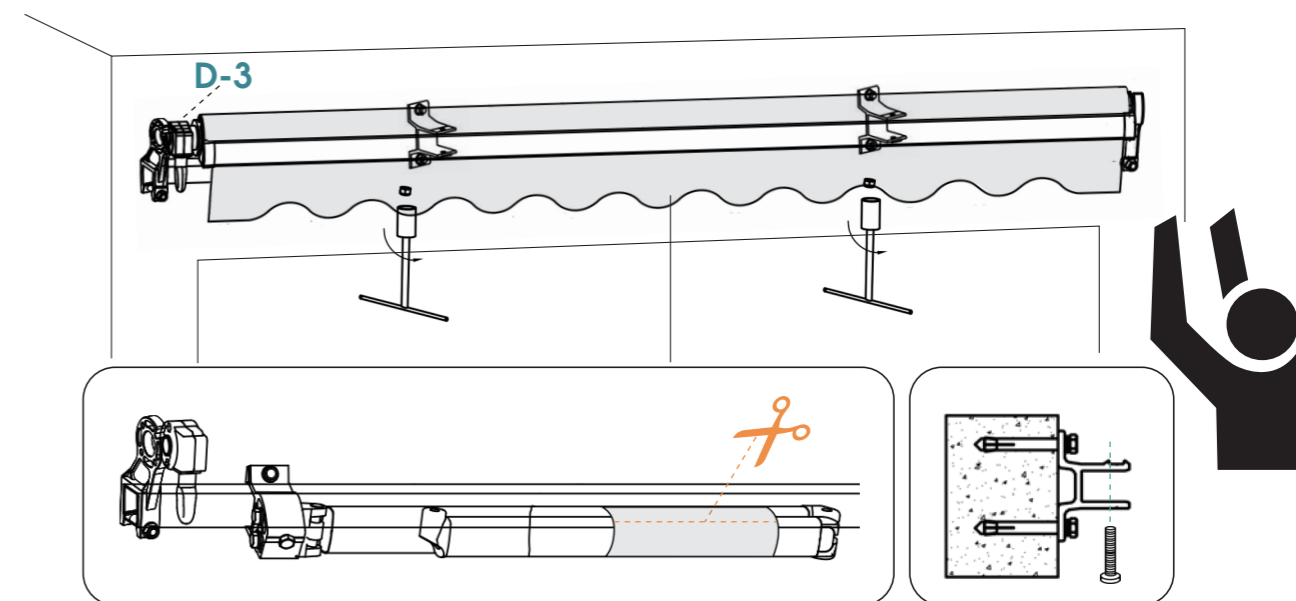


The **0810 series** have two wall brackets.

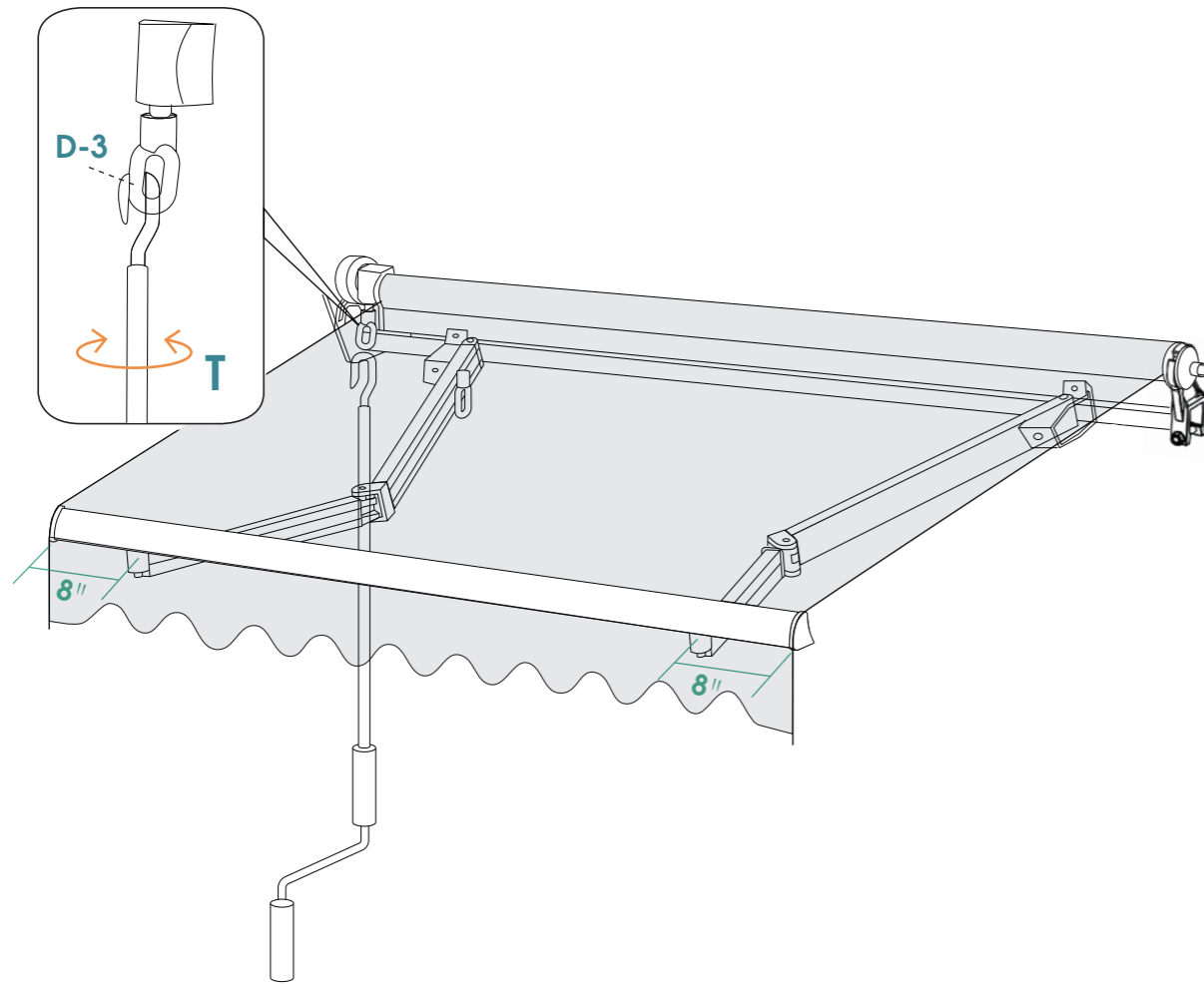


The **1210 and 1308 series** have three wall brackets.

- Lift the assembled awning, place the square tube on the bracket, and lock it with the wall bracket screws, then cut off the safety packaging.



- Hang the Hand Crank **#T** on the Rotation Ring **#D-3**. You can rotate the Hand Crank **#T** in a Clockwise/Anticlockwise direction to stretch/contract the awning flexibly.
- When the awning is fully extended, the arm link on both sides is about **8"** from the edge, but it must be noted that the distance between the two sides must be consistent, otherwise it will cause uneven stretching of the product.



VII. Q&A

Questions	Answers
<p>When I open the awning, why the front bar will pull the Fabric and Valance towards one end?</p>	<p>A1: There are two possible reasons for uneven product stretching:</p> <ul style="list-style-type: none"> 1 : The fabric is not evenly rolled 2 : The distance between the two ends of the bend arm is inconsistent
<p>What should I do if the front bar will pull the Fabric and Valance towards one end?</p>	<p>A2: You should check if the fabric rolled evenly and adjust the arm bar link as follow these steps:</p> <ul style="list-style-type: none"> 1 : First take back the awning and fix the arm with straps to prevent the spring from hurting people 2 : Adjust the distance between the arm bar link and both ends to be consistent, about 8 ". 3 : Reinforce the screws of the link of the arm bar so that it is not easy to slide.
<p>Can I buy another set of fabrics to replace?</p>	<p>A3: You can contact our customer service by email sales@mcombo.com or telephone (323) 597-1109.</p>

VIII. Warranty Disclaimer

Thank you for your interest in the products and services of MCombo®

This Limited Warranty applies to physical goods, and only for physical goods, purchased from MCombo®

What does this limited warranty cover?

This Limited Warranty covers any defects in material or workmanship under normal use during the Warranty Period.

During the Warranty Period, MCombo® will repair or replace, at no charge, products or parts of a product that proves defective because of improper material or workmanship, under normal use and maintenance.

How long does the coverage last?

The Warranty Period of Physical Goods purchased from MCombo® refers to the table below.

A replacement Physical Good or part assumes the remaining warranty of the original Physical Good or 180 days from the date of replacement or repair, whichever is longer.

Awning Frame

1 YEAR

Awning Fabric

6 MONTHS

This Limited Warranty does not cover any problem that is caused by:

Conditions, malfunctions, or damage not resulting from defects in material or workmanship

To obtain warranty service, you can contact us via email sales@mcombo.com Contact us to determine the issue and the appropriate solution for you. Before this, you can take some photos of your product and send them to us, so that we can reply to you more quickly and accurately.

VIII. Return/Replacement Policy

MCombo® All of item come with a 30-day return/replace policy. During this time, we will cover the shipping cost of return and replacement for defective and damaged item, through provide pre-paid return label or pick up service for customer's convenience.

Please disassemble the item before you return it, unless there will be huge costs oversized

MCombo® do not responsible for the returns that customer bought by mistake or changed their mind and other non-quality issues. The customer is responsible for freight costs unless the item is defective. Items returned due to being refused by the customer or deemed undeliverable by freight carrier are subject to fees for freight both ways and a 15% restocking fee.