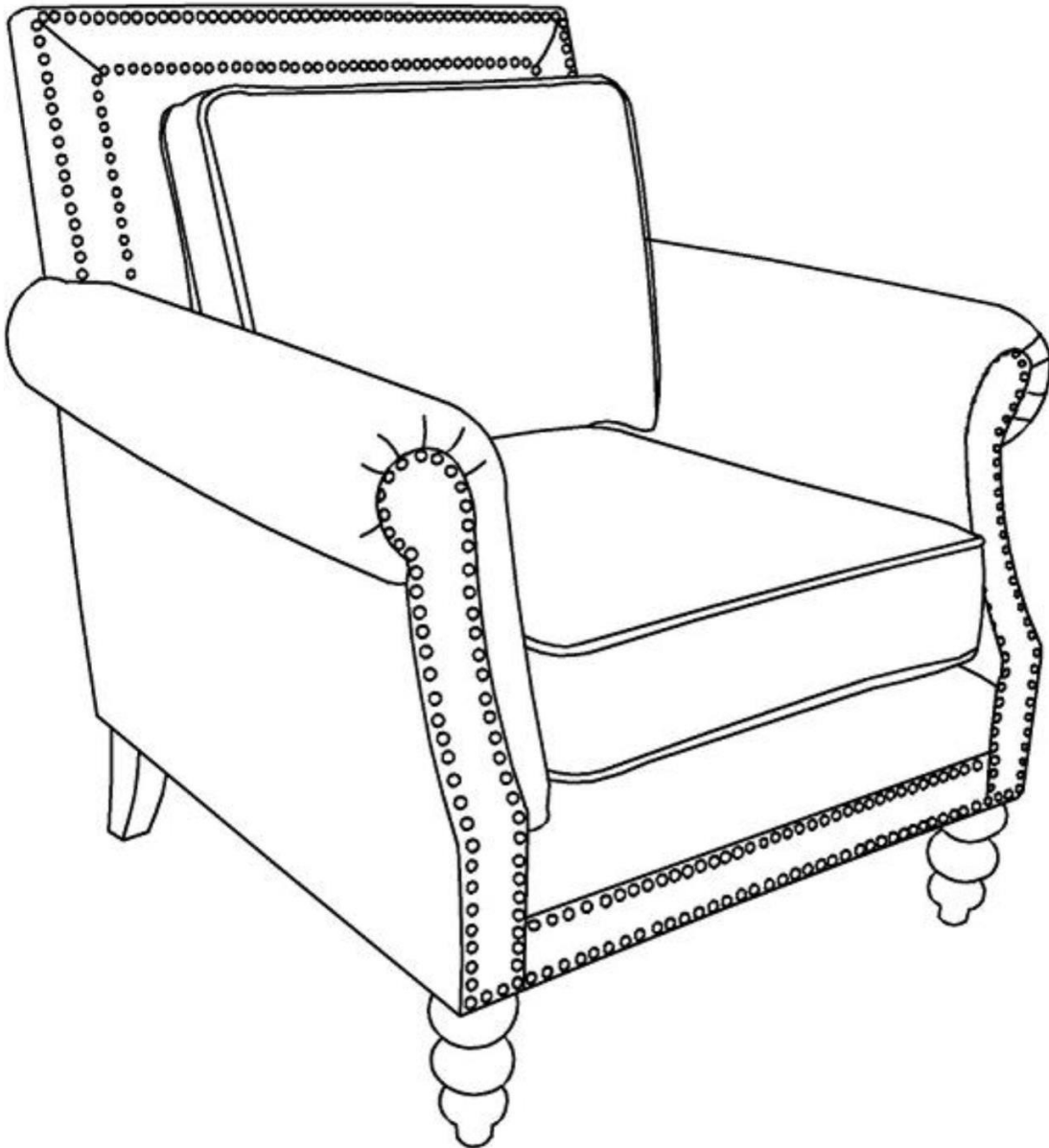


Accent Chair

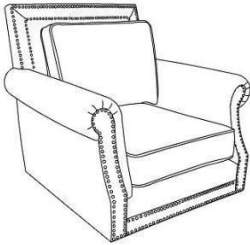
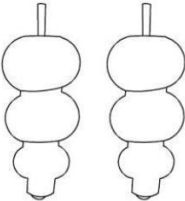
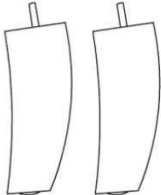


IMPORTANT INSTRUCTIONS

1. Please read all instructions prior to assembling this product.
2. To avoid damage, assemble chair on a nonabrasive surface such as carpet.
3. Make sure all parts are securely attached before using the chair.

Please visually inspect all components before beginning assembly

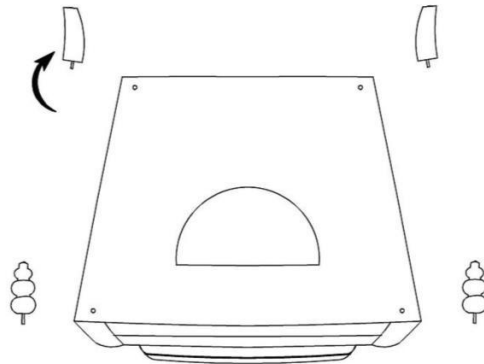
PARTS LIST

A. Body (1)	B. Front Legs (2)	C. Back Legs (2)
		

ASSEMBLY INSTRUCTIONS

Step 1: Screw back legs into pre-drilled holes until tight.

Step 2: Screw front legs into pre-drilled holes until tight.



Your accent chair is now ready for use.

