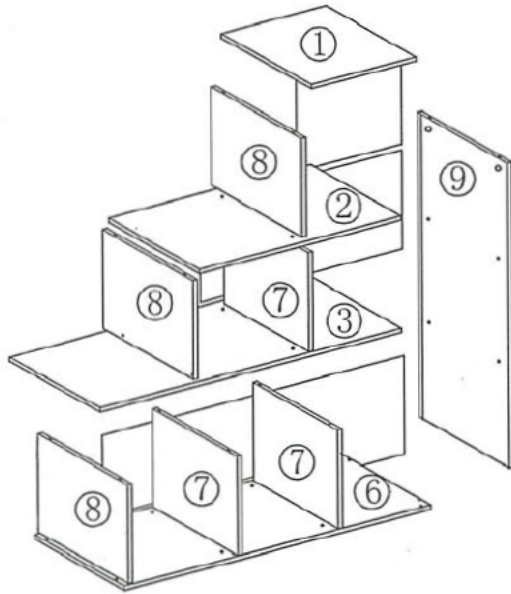
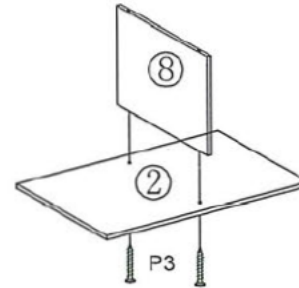


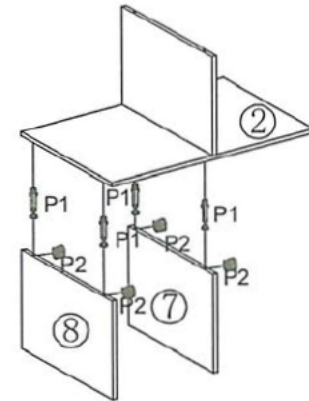
# ASSEMBLING INSTRUCTIONS



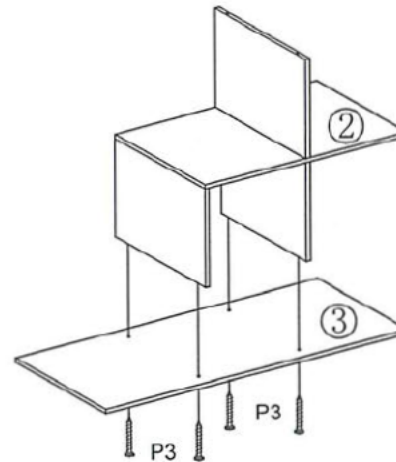
1



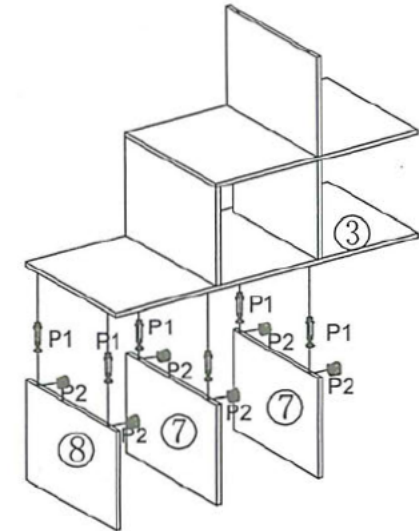
2



3



4



P1			14 PCS
P2			14 PCS
P3		M4X30mm	20 PCS
P4			4 PCS
P5			6 PCS
P6		M4X20mm	6 PCS
P7			2 PCS
P8			4 PCS
P9			2 PCS
P10		M3.5X12mm	2 PCS

